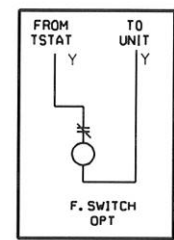
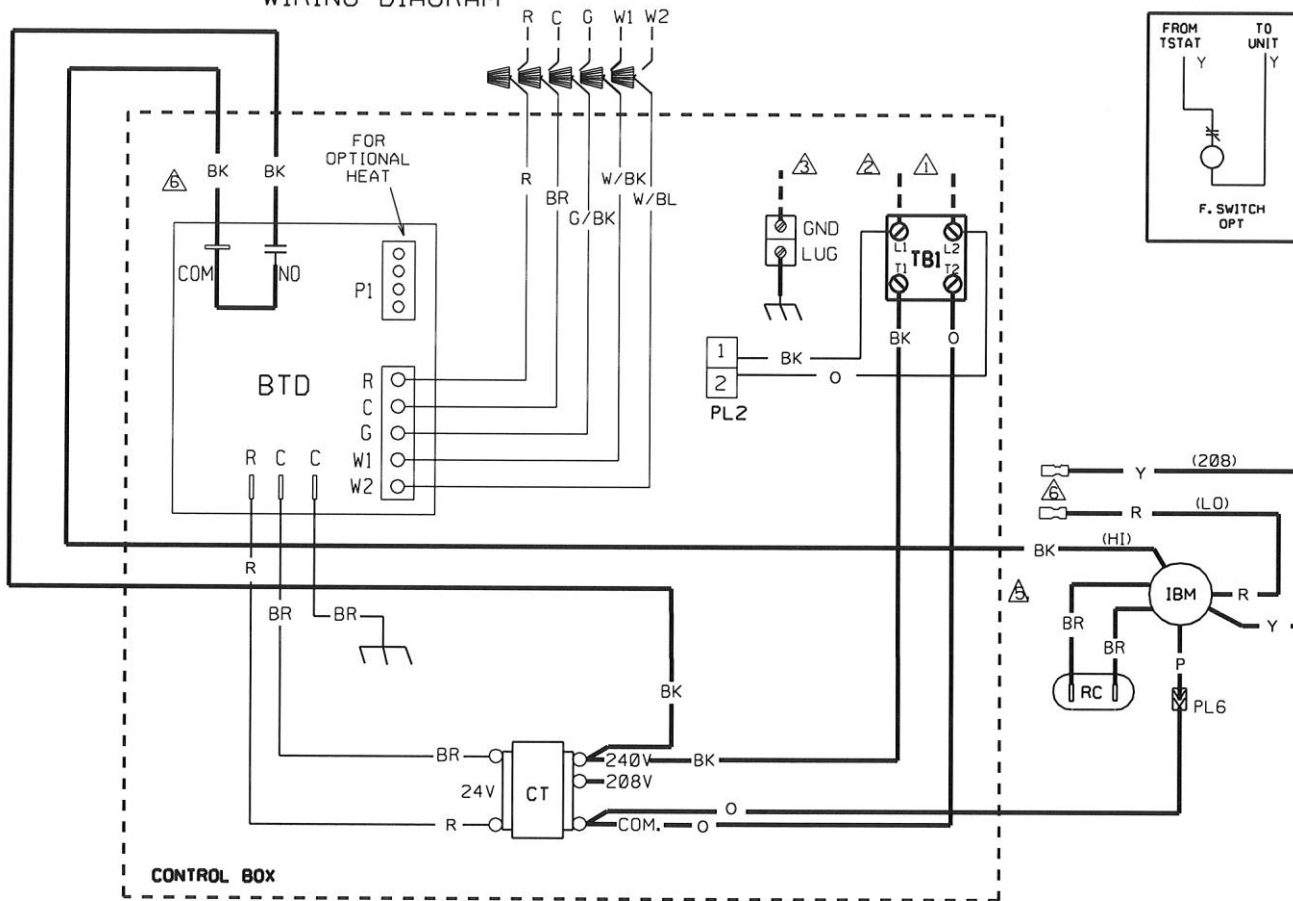
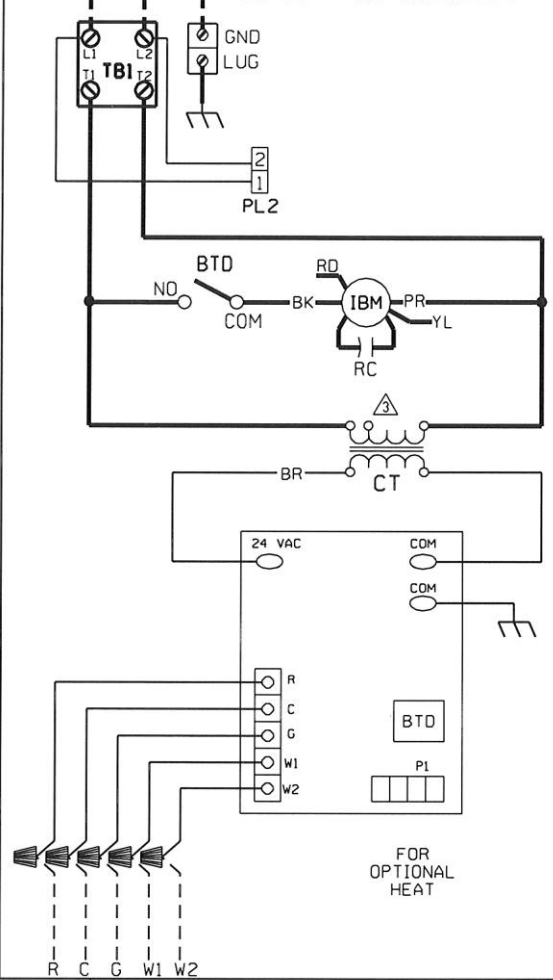


# WIRING DIAGRAM



# SCHEMATIC DIAGRAM



## NOTES:

- ⚠ CONNECT SUPPLY WIRING TO 115V, 60HZ, SINGLE PHASE.
- ⚠ SUPPLY WIRE MUST BE RATED AT 75° C MIN. SEE INSTRUCTIONS FOR SIZE.
- ⚠ FOR USE WITH COPPER CONDUCTORS ONLY.
- ⚠ CONTROL WIRING TO THERMOSTAT.
- ⚠ THE WIRING DIAGRAM ABOVE SHOWS THE HIGH SPEED 240 V CONNECTION
- ⚠ FOR LOW SPEED BLOWER:
  - REMOVE (BK) WIRE FROM COM TERMINAL OF BTM.
  - MOVE INSULATED CAP FROM (RD) WIRE TO (BK) WIRE.
  - ATTACH (RD) WIRE TO BTM RELAY COM TERMINAL.

## COMPONENT CODE

BTM	BLWR TIME DELAY
CB/TB	CIRCUIT BREAKER OR TERMINAL BLOCK
CT	CONTROL TRANSFORMER
FL	FUSIBLE LINK
HE	HEATER ELEMENT
HR	HEATER RELAY
IBM	INDOOR BLOWER MOTOR
LC	LIMIT CONTROL
OPT	OPTIONAL
OS	*ONE SHOT* - SINGLE OPERATION TEMP CONTROL
PL	POLARIZED PLUG
RC	RUN CAPACITOR
TDR	TIME DELAY RELAY

## WIRING INFORMATION

LINE VOLTAGE  
 -FACTORY STANDARD   
 -FACTORY OPTION   
 -FIELD INSTALLED   
 LOW VOLTAGE  
 -FACTORY STANDARD   
 -FACTORY OPTION   
 -FIELD INSTALLED   
 REPLACEMENT WIRE  
 -MUST BE THE SAME SIZE AND TYPE OF  
 -INSULATION AS ORIGINAL (105° C MIN.)  
 WARNING  
 -CABINET MUST BE PERMANENTLY  
 GROUNDED AND CONFORM TO N.E.C.,  
 (C.E.C.-CANADA) AND LOCAL CODES.

## WIRE COLOR CODE

BK__BLACK	P __PURPLE
BR__BROWN	R __RED
BL__BLUE	W __WHITE
GR__GREEN	Y __YELLOW
O __ORANGE	

# WIRING DIAGRAM ELECTRIC AIR HANDLER PSC MOTOR 208/240