



SUBMITTAL COVER SHEET

PROJECT NAME _____

LOCATION _____

ARCHITECT _____

ENGINEER _____

CONTRACTOR _____

SUBMITTED BY _____ DATE _____

UNIT SUMMARY

Quantity						
Unit Designation						
Model No.						
Total Cooling						
Sensible Cooling						
Air Ent. Evaporator						
Air Lvg. Evaporator						
Heating Input						
Heating Output						
CFM/ESP						
EER/SEER						
Electrical						
Minimum Ampacity						
Min.-Max. Breaker						
Net Unit Weight						
Accessory						
Catalog Form Number						

ACCESSORIES:

NOTES:

SUBMITTAL SHEET FOR FRONT RETURN AIR HANDLER

R-410A

RHBL- High Efficiency featuring New Industry Standard R-410A Refrigerant
RHAL- High Efficiency featuring New Industry Standard R-410A Refrigerant

JOB NAME _____ LOCATION _____
 CONTRACTOR _____ ORDER NO. _____
 ENGINEER _____ SUBMITTED FOR APPROVAL RECORD
 DATE _____ OUTDOOR UNIT MODEL NO. _____
 MODEL NO. _____ INDOOR COIL MODEL NO. _____

UNIT DATA

COOLING PERFORMANCE

TOTAL CAPACITY* MBH [kW]
 SENSIBLE CAPACITY* MBH [kW]
 OUTDOOR DESIGN TEMP. °F [°C] DB
 TOTAL SUPPLY AIR CFM [L/s]
 TEMP. OF AIR ENTERING
 EVAPORATOR COIL °F [°C] DB
 °F [°C] WB
 POWER INPUT REQUIREMENT kW
 (*uses blower motor heat)

HEATING PERFORMANCE

TOTAL CAPACITY* MBH [kW]
 OUTDOOR DESIGN TEMP. °F [°C] DB
 TEMP. OF AIR ENTERING
 EVAPORATOR COIL °F [°C] DB
 ELECTRIC HEAT CAPACITY kW
 POWER INPUT REQUIREMENT kW
 (*uses blower motor heat)

SUPPLY AIR BLOWER PERFORMANCE

TOTAL AIR SUPPLY CFM [L/s]
 TOTAL RESISTANCE EXTERNAL
 TO UNIT IWG
 BLOWER SPEED RPM
 POWER OUTPUT REQUIREMENT .. BHP
 MOTOR RATING HP [W]
 POWER INPUT REQUIREMENT kW

ELECTRICAL DATA

POWER SUPPLY Hz
 TOTAL UNIT AMPACITY AMPS
 MINIMUM WIRE SIZE AWG
 MAXIMUM OVERCURRENT DEVICE
 FUSES/HACR BREAKER AMPS

CLEARANCES

SERVICE ACCESS FRONT 24" [609.6 mm]

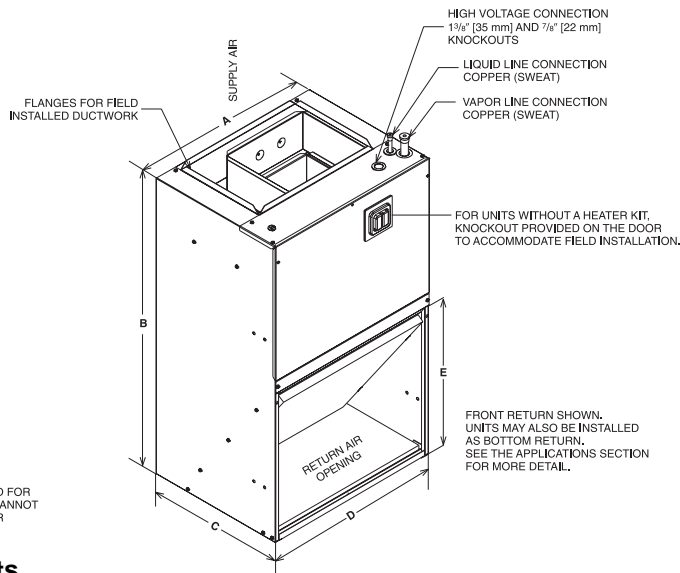
FEATURES/ACCESSORIES

- Front or Bottom* Return (*Requires RXHK-B01/B02 Kit)
- Flow Check Piston for cooling or heat pump operation
- Wall-hanging brackets
- Built in Filter Rack (Uses Standard Filter Size)
- Suitable for R-410A or R-22 Refrigerants (RHAL Only)
- AHRI Certified
- UL Certified
- Molex Plug Connections for field installed heater kits
- Dual Voltage Direct Drive Blower with multi-speed motor
- Thermoplastic Drain Pan with bottom primary and secondary connections
- Optional Decorative Grill for front return applications (RXHK-C01/C02)
- Optional Decorative Wall Grill (RXHK-D01)
- Optional Factory Installed Condensate Float Switch which shuts off the outdoor unit in event the condensate pan becomes clogged



Unit Dimensions

NOTE: 24" [610 mm] CLEARANCE REQUIRED IN FRONT OF UNIT FOR FILTER AND COIL MAINTENANCE



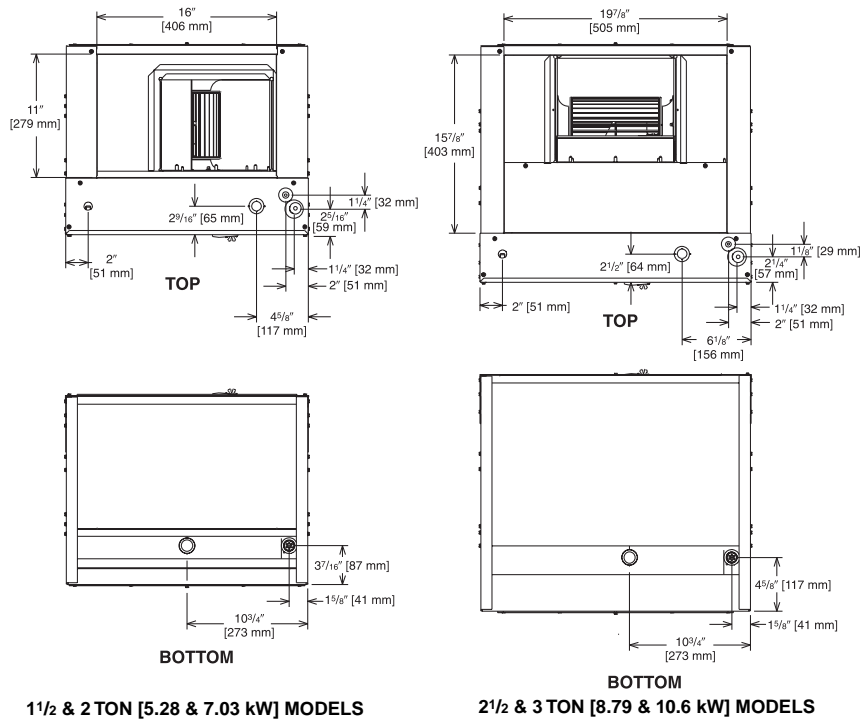
ALL UNITS ARE CONFIGURED FOR VERTICAL UPFLOW. UNITS CANNOT BE INSTALLED IN ANY OTHER CONFIGURATION.

FOR UNITS WITHOUT A HEATER KIT, KNOCKOUT PROVIDED ON THE DOOR TO ACCOMMODATE FIELD INSTALLATION.

FRONT RETURN SHOWN. UNITS MAY ALSO BE INSTALLED AS BOTTOM RETURN. SEE THE APPLICATIONS SECTION FOR MORE DETAIL.

Unit Dimensions & Weights

Model	(A) Unit Width In. [mm]	(B) Unit Height In. [mm]	(C) Unit Depth In. [mm]	(D) Return Air Opening Width In. [mm]	(E) Return Air Opening Height In. [mm]	Air Flow CFM (Nom.) [L/s]		Unit Weight/ Shipping Weight (Lbs.) [kg]
						Low	High	
						RHAL-18	21 ¹ / ₂ [546.1]	
RHAL-24	21 ¹ / ₂ [546.1]	36 [914.4]	17 [431.8]	20 [508]	177 ¹ / ₁₆ [442.9]	800 [378]	—	80 [36] / 90 [41]
RHAL-30	24 [609.6]	36 [914.4]	21 [533.4]	23 [584.2]	21 ³ / ₈ [542.9]	1000 [472]	—	95 [43] / 105 [48]
RHAL-36	24 [609.6]	36 [914.4]	21 [533.4]	23 [584.2]	21 ³ / ₈ [542.9]	1200 [566]	—	95 [43] / 105 [48]
RHBL-24	21 ¹ / ₂ [546.1]	36 [914.4]	17 [431.8]	20 [508]	177 ¹ / ₁₆ [442.9]	600 [283]	800 [378]	95 [43] / 105 [48]
RHBL-36	24 [609.6]	36 [914.4]	21 [533.4]	23 [584.2]	21 ³ / ₈ [542.9]	1000 [472]	1200 [566]	95 [43] / 105 [48]



[] Designates Metric Conversions

Before proceeding with installation, refer to installation instructions packaged with each model, as well as complying with all Federal, State, Provincial, and Local codes, regulations, and practices.

Rheem Sales Company, Inc.
P.O. Box 17010, Fort Smith, AR 72917

"In keeping with its policy of continuous progress and product improvement, Rheem reserves the right to make changes without notice."