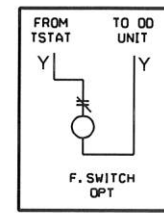
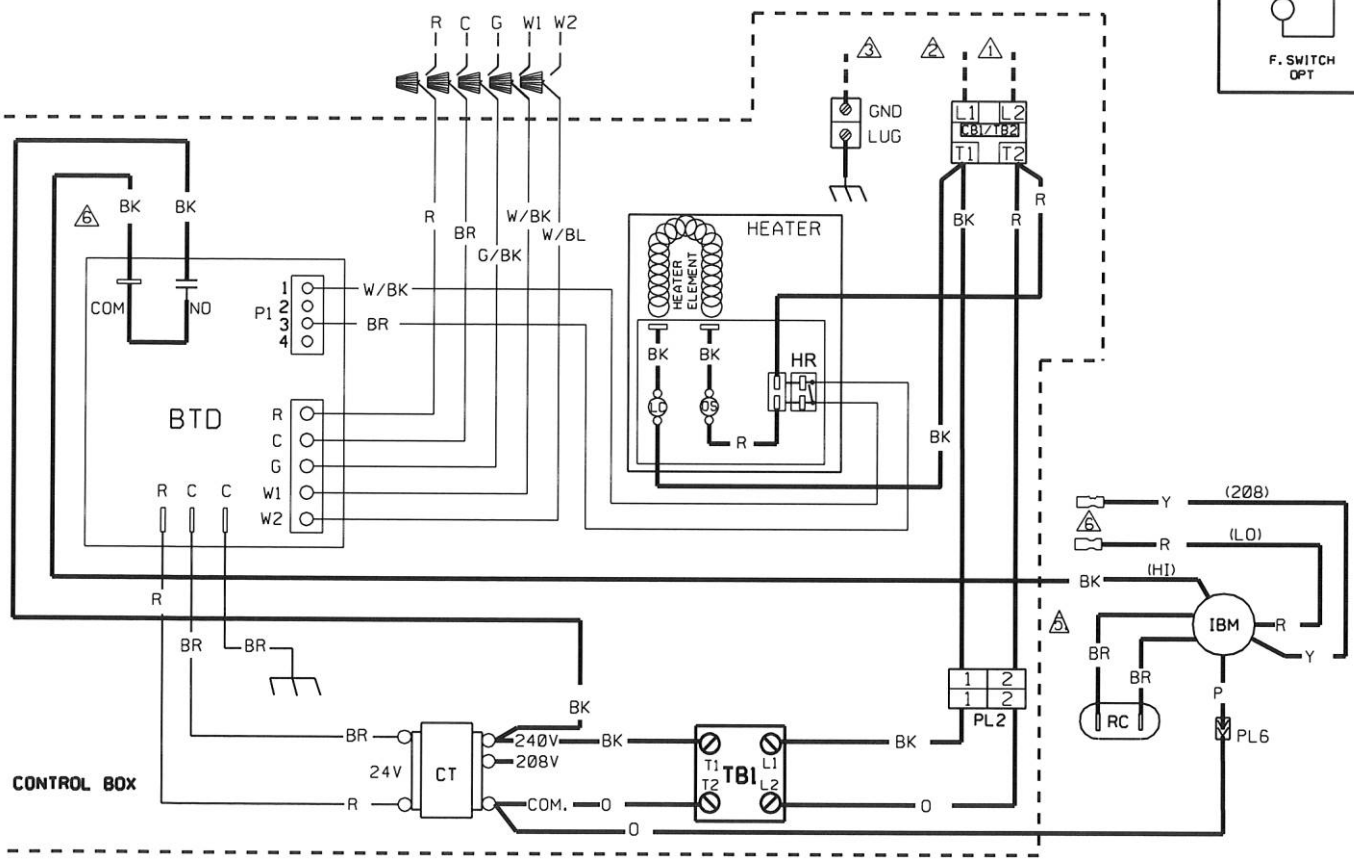
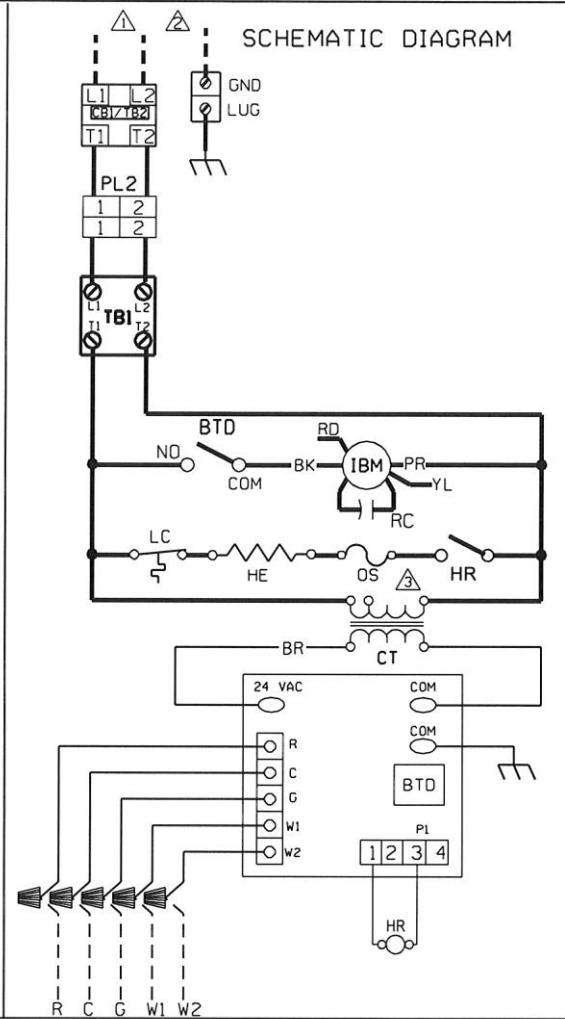


WIRING DIAGRAM



SCHEMATIC DIAGRAM



NOTES:

- ⚠ CONNECT SUPPLY WIRING TO 240 V, 60 HZ. SINGLE PHASE.
- ⚠ SUPPLY WIRE MUST BE RATED AT 75° C MIN. SEE INSTRUCTIONS FOR SIZE.
- ⚠ FOR USE WITH COPPER CONDUCTORS ONLY.
- ⚠ CONTROL WIRING TO THERMOSTAT.
- ⚠ THE WIRING DIAGRAM ABOVE SHOWS THE HIGH SPEED (240 V) CONNECTION
- ⚠ FOR LOW SPEED BLOWER:
 - REMOVE (BK) WIRE FROM COM TERMINAL OF BTD.
 - MOVE INSULATED CAP FROM (RD) WIRE TO (BK) WIRE.
 - ATTACH (RD) WIRE TO BTD RELAY COM TERMINAL.

COMPONENT CODE

BTD	BLWR TIME DELAY
CB/TB	CIRCUIT BREAKER OR TERMINAL BLOCK
CT	CONTROL TRANSFORMER
FL	FUSIBLE LINK
HE	HEATER ELEMENT
HR	HEATER RELAY
IBM	INDOOR BLOWER MOTOR
LC	LIMIT CONTROL
OPT	OPTIONAL
OS	*ONE SHOT* - SINGLE OPERATION TEMP CONTROL
PL	POLARIZED PLUG
RC	RUN CAPACITOR
TDR	TIME DELAY RELAY

WIRING INFORMATION

LINE VOLTAGE
 -FACTORY STANDARD **=====**
 -FACTORY OPTION **-----**
 -FIELD INSTALLED **-----**

LOW VOLTAGE
 -FACTORY STANDARD **=====**
 -FACTORY OPTION **-----**
 -FIELD INSTALLED **-----**

REPLACEMENT WIRE
 -MUST BE THE SAME SIZE AND TYPE OF
 -INSULATION AS ORIGINAL (105° C MIN.)

WARNING
 -CABINET MUST BE PERMANENTLY
 GROUNDED AND CONFORM TO N.E.C.,
 (C.E.C.-CANADA) AND LOCAL CODES.

WIRE COLOR CODE

BK__BLACK	P __PURPLE
BR__BROWN	R __RED
BL__BLUE	W __WHITE
GR__GREEN	Y __YELLOW
O __ORANGE	

WIRING DIAGRAM ELECTRIC AIR HANDLER PSC MOTOR 208/240