



# RH2T

Parts List  
05-October-2015



*This parts list is current as of the above revision date.  
See <http://www.rheempartslists.net/92-42800-RH2T.pdf> for the current revision.*

**Air Handlers**

# Table of Contents

Model Explanation .....	Page 3
<b>Parts Numbers</b>	
Panels - Miscellaneous (1) .....	Page 4
Panels - Miscellaneous (2) .....	Page 5
Electrical Group .....	Page 6
Blower Group .....	Page 7
Coil Parts .....	Page 8
Heater Kits .....	Page 9
<b>Drawings/Photographs</b>	
Exploded View .....	Page 10
Blower Assembly .....	Page 11
Notes/Disclaimer .....	Page 12

**MODEL NUMBER EXPLANATION**

<b>R</b>	<b>H</b>	<b>2</b>	<b>T</b>	<b>2</b>	<b>4</b>	<b>2</b>	<b>1</b>	<b>M</b>	<b>T</b>	<b>A</b>	<b>N</b>	<b>J</b>	<b>A</b>	<b>***</b>
<b>1</b>	<b>2</b>	<b>3</b>	<b>4</b>	<b>5</b>		<b>6</b>		<b>7</b>	<b>8</b>	<b>9</b>	<b>10</b>	<b>11</b>	<b>12</b>	<b>13</b>

- |   |  |
|---|--|
| <p>(1) <b>BRAND</b></p> <p>(2) <b>AIR HANDLER</b></p> <p>(3) <b>STAGE OF AIRFLOW</b><br/>2 = Two Stage</p> <p>(4) <b>MOTOR TYPE</b><br/>T = Constant Torque</p> <p>(5) <b>CAPACITY (BTU/HR)</b><br/>18 = 18,000 BTU/HR<br/>24 = 24,000 BTU/HR<br/>30 = 30,000 BTU/HR<br/>36 = 36,000 BTU/HR<br/>42 = 42,000 BTU/HR<br/>48 = 48,000 BTU/HR<br/>60 = 60,000 BTU/HR</p> <p>(6) <b>WIDTH</b><br/>17 = 17.5 in. (600 - 1200 CFM)<br/>21 = 21 in. (800 - 1600 CFM)<br/>24 = 24.5 in. (1400 - 1800 CFM)</p> <p>(7) <b>COIL SIZE</b><br/>S = Standard<br/>M = Medium<br/>H = High</p> | <p>(8) <b>METERING DEVICE</b><br/>T = TEV<br/>E = EEV<br/>P = Piston</p> <p>(9) <b>MAJOR SERIES</b><br/>A = First</p> <p>(10) <b>CONTROLS</b><br/>C = Communicating<br/>N = Non-Communicating</p> <p>(11) <b>VOLTAGE</b><br/>A = 115/1/60<br/>D = 460/3/60<br/>J = 208-230/1/60<br/>T = 220-240/1/50</p> <p>(12) <b>MINOR SERIES</b><br/>A = First</p> <p>(13) <b>OPTION CODE</b><br/>Blank = None</p> |
|---|--|

**SERIAL NUMBER EXPLANATION**

<b>W</b>	<b>0</b>	<b>7</b>	<b>0</b>	<b>9</b>	<b>9</b>	<b>9</b>	<b>9</b>	<b>9</b>	<b>9</b>
<b>1</b>	<b>2</b>		<b>3</b>	<b>4</b>					

- 1**      **PRODUCTION LOCATION**  
W = Nuevo Laredo (West)
- 2**      **WEEK OF PRODUCTION**
- 3**      **YEAR OF PRODUCTION**
- 4**      **PRODUCTION NUMBER**

No.	Notes	MODEL CAPACITY CABINET SIZE COIL SIZE/METERING MAJOR SERIES/CONTROLS VOLTAGE/MINOR SERIES	RH2T	RH2T	RH2T	RH2T
			24 21 MT AN JA	36 21 MT AN JA	48 24 MT AN JA	60 24 ST AN JA
<b>PANELS, SHEET METAL, MISCELLANEOUS</b>						
1		Cabinet	AE-100682-32	AE-100682-33	AE-100682-33	AE-100682-35
		Insulation - Cabinet	68-101121-02	68-101121-03	68-101121-03	68-101121-04
		Insulation Retainer Rod (2)	45-102868-03	45-102868-03	45-102868-03	45-102868-04
2		Coil Door	AE-100685-33	AE-100685-34	AE-100685-34	AE-100685-36
		Insulation - Coil Door	68-101577-07	68-101577-08	68-101577-08	68-101577-09
3		Top Cover Plate	AE-100686-32	AE-100686-32	AE-100686-32	AE-100686-33
		Insulation - Top Cover Plate	68-101122-02	68-101122-02	68-101122-02	68-101122-03
4		Blower Door	AE-100684-32	AE-100684-32	AE-100684-32	AE-100684-33
		Insulation - Blower Door	68-101576-02	68-101576-02	68-101576-02	68-101576-03
5		Access Panel	AE-101133-31	AE-101133-31	AE-101133-31	AE-101133-31
		Insulation - Access Panel	68-101644-01	68-101644-01	68-101644-01	68-101644-01
6		Drain Pan - Vertical	See RCH Coil Parts List			
7		Drain Pan - Horizontal	See RCH Coil Parts List			
8		Plate - Block Off	AE-100455-01	AE-100455-01	AE-100455-01	AE-100455-01
9		Cabinet Brace	AE-101134-03	AE-101134-03	AE-101134-03	AE-101134-04
10		Middle Brace	AE-101054-02	AE-101054-02	AE-101054-02	AE-101054-03
13a		Heat Barrier	AE-100683-05	AE-100683-06	AE-100683-06	AE-100683-08
13b		Heat Barrier Side (2)	AE-104241-01	AE-104241-01	AE-104241-01	AE-104241-01
		Touch-up Paint - Granite/Steel Gray (Aerosol)	PD523018	PD523018	PD523018	PD523018
		Touch-up Paint - Granite/Steel Gray (Paint Pens)	PD523019	PD523019	PD523019	PD523019

No.	Notes	MODEL CAPACITY CABINET SIZE COIL SIZE/METERING MAJOR SERIES/CONTROLS VOLTAGE/MINOR SERIES	RH2T	RH2T	RH2T	RH2T
			24 21 ME AC JA	36 21 ME AC JA	48 21 ME AC JA	60 24 ME AC JA
<b>PANELS, SHEET METAL, MISCELLANEOUS</b>						
1		Cabinet	AE-100682-32	AE-100682-33	AE-100682-36	AE-100682-35
		Insulation - Cabinet	68-101121-02	68-101121-03	68-101121-15	68-101121-04
		Insulation Retainer Rod (2)	45-102868-03	45-102868-03	45-102868-03	45-102868-04
2		Coil Door	AE-100685-33	AE-100685-34	AE-100685-37	AE-100685-36
		Insulation - Coil Door	68-101577-07	68-101577-08	68-101577-10	68-101577-09
3		Top Cover Plate	AE-100686-32	AE-100686-32	AE-100686-32	AE-100686-33
		Insulation - Top Cover Plate	68-101122-02	68-101122-02	68-101122-02	68-101122-03
4		Blower Door	AE-100684-32	AE-100684-32	AE-100684-32	AE-100684-33
		Insulation - Blower Door	68-101576-02	68-101576-02	68-101576-02	68-101576-03
5		Access Panel	AE-101133-31	AE-101133-31	AE-101133-31	AE-101133-31
		Insulation - Access Panel	68-101644-01	68-101644-01	68-101644-01	68-101644-01
6		Drain Pan - Vertical	See RCH Coil Parts List			
7		Drain Pan - Horizontal	See RCH Coil Parts List			
8		Plate - Block Off	AE-100455-01	AE-100455-01	AE-100455-01	AE-100455-01
9		Cabinet Brace	AE-101134-03	AE-101134-03	AE-101134-03	AE-101134-04
10		Middle Brace	AE-101054-02	AE-101054-02	AE-101054-02	AE-101054-03
13a		Heat Barrier	AE-100683-05	AE-100683-06	AE-100683-06	AE-100683-08
13b		Heat Barrier Side (2)	AE-104241-01	AE-104241-01	AE-104241-01	AE-104241-01
		Touch-up Paint - Granite/Steel Gray (Aerosol)	PD523018	PD523018	PD523018	PD523018
		Touch-up Paint - Granite/Steel Gray (Paint Pens)	PD523019	PD523019	PD523019	PD523019

No.	Notes	MODEL	RH2T	RH2T	RH2T
		CAPACITY	24	36	60
		CABINET SIZE	17	17	21
		COIL SIZE/METERING	SE	SE	SE
		MAJOR SERIES/CONTROLS	AC	AC	AC
		VOLTAGE/MINOR SERIES	JA	JA	JA
<b>PANELS, SHEET METAL, MISCELLANEOUS</b>					
1		Cabinet	AE-100682-31	AE-100682-31	AE-100682-36
		Insulation - Cabinet	68-101121-01	68-101121-01	68-101121-15
		Insulation Retainer Rod (2)	45-102868-02	45-102868-02	45-102868-03
2		Coil Door	AE-100685-32	AE-100685-32	AE-100685-37
		Insulation - Coil Door	68-101577-06	68-101577-06	68-101577-10
3		Top Cover Plate	AE-100686-31	AE-100686-31	AE-100686-32
		Insulation - Top Cover Plate	68-101122-01	68-101122-01	68-101122-02
4		Blower Door	AE-100684-31	AE-100684-31	AE-100684-32
		Insulation - Blower Door	68-101576-01	68-101576-01	68-101576-02
5		Access Panel	AE-101133-31	AE-101133-31	AE-101133-31
		Insulation - Access Panel	68-101644-01	68-101644-01	68-101644-01
6		Drain Pan - Vertical	See RCH Coil Parts List		
7		Drain Pan - Horizontal	See RCH Coil Parts List		
8		Plate - Block Off	AE-100455-01	AE-100455-01	AE-100455-01
9		Cabinet Brace	AE-101134-02	AE-101134-02	AE-101134-03
10		Middle Brace	AE-101054-01	AE-101054-01	AE-101054-02
13a		Heat Barrier	AE-100683-03	AE-100683-03	AE-100683-06
13b		Heat Barrier Side (2)	AE-104241-01	AE-104241-01	AE-104241-01
		Touch-up Paint - Granite/Steel Gray (Aerosol)	PD523018	PD523018	PD523018
		Touch-up Paint - Granite/Steel Gray (Paint Pens)	PD523019	PD523019	PD523019

No.	Notes	MODEL	RH2T	RH2T	RH2T	RH2T
		CAPACITY	24	36	48	60
		CABINET SIZE	21	21	24	24
		COIL SIZE/METERING	MT	MT	MT	ST
		MAJOR SERIES/CONTROLS	AN	AN	AN	AN
		VOLTAGE/MINOR SERIES	JA	JA	JA	JA
<b>ELECTRICAL GROUP</b>						
17	Stk	Transformer	46-101905-01	46-101905-01	46-101905-01	46-101905-01
18	Stk	Control Board	47-102077-05	47-102077-05	47-102077-05	47-102077-05
		Wiring Harness - 6 Pin Molex to 6 stripped wires (For T-Stat)	45-101891-06	45-101891-06	45-101891-06	45-101891-06
		Wiring Harness - 1 strip lead and 1 connector to single connector (Control Transformer to Blower Motor to Terminal Block - Black Wires)	45-24258-18	45-24258-18	45-24258-18	45-24258-18
		Wiring Harness - 1 strip lead and 1 connector to single connector (Control Transformer to Blower Motor and Terminal Block)	45-24258-22	45-24258-22	45-24258-22	45-24258-22
11		Terminal Block	45-23222-02	45-23222-02	45-23222-02	45-23222-02

No.	Notes	MODEL	RH2T	RH2T	RH2T	RH2T
		CAPACITY	24	36	48	60
		CABINET SIZE	21	21	21	24
		COIL SIZE/METERING	ME	ME	ME	ME
		MAJOR SERIES/CONTROLS	AC	AC	AC	AC
		VOLTAGE/MINOR SERIES	JA	JA	JA	JA
<b>ELECTRICAL GROUP</b>						
17	Stk	Transformer	46-101905-01	46-101905-01	46-101905-01	46-101905-01
18	Stk	Control Board (Blower Assembly)	47-105415-01	47-105415-01	47-105415-01	47-105415-01
		Wiring Harness - 9 Pin Molex to 9 stripped wires (For T-Stat)	45-101891-02	45-101891-02	45-101891-02	45-101891-02
		Wiring Harness - 1 strip lead and 1 connector to single connector (Control Transformer to Blower Motor to Terminal Block - Black Wires)	45-24258-18	45-24258-18	45-24258-18	45-24258-18
		Wiring Harness - 1 strip lead and 1 connector to single connector (Control Transformer to Blower Motor and Terminal Block)	45-24258-22	45-24258-22	45-24258-22	45-24258-22
11		Terminal Block	45-23222-02	45-23222-02	45-23222-02	45-23222-02
		Wiring Harness - Pressure Transducer	45-104130-03	45-104130-03	45-104130-03	45-104130-03
		Wiring Harness - 7 Pin Molex to 7 stripped wires (Communication)	45-101891-07	45-101891-07	45-101891-07	45-101891-07
		Memory Card	47-102738-55	47-102738-56	47-102738-57	47-102738-58
		Sensor/Clip Assembly	47-102710-16	47-102710-16	47-102710-16	47-102710-16
		Push Mount Tie (for Memory Card Wire Tie)	64-102873-01	64-102873-01	64-102873-01	64-102873-01

No.	Notes	MODEL	RH2T	RH2T	RH2T	
		CAPACITY	24	36	60	
		CABINET SIZE	17	17	21	
		COIL SIZE/METERING	SE	SE	SE	
		MAJOR SERIES/CONTROLS	AC	AC	AC	
		VOLTAGE/MINOR SERIES	JA	JA	JA	
<b>ELECTRICAL GROUP</b>						
17	Stk	Transformer	46-101905-01	46-101905-01	46-101905-01	
18	Stk	Control Board (Blower Assembly)	47-105415-01	47-105415-01	47-105415-01	
		Wiring Harness - 9 Pin Molex to 9 stripped wires (For T-Stat)	45-101891-02	45-101891-02	45-101891-02	
		Wiring Harness - 1 strip lead and 1 connector to single connector (Control Transformer to Blower Motor to Terminal Block - Black Wires)	45-24258-18	45-24258-18	45-24258-18	
		Wiring Harness - 1 strip lead and 1 connector to single connector (Control Transformer to Blower Motor and Terminal Block)	45-24258-22	45-24258-22	45-24258-22	
11		Terminal Block	45-23222-02	45-23222-02	45-23222-02	
		Wiring Harness - Pressure Transducer	45-104130-03	45-104130-03	45-104130-03	
		Wiring Harness - 7 Pin Molex to 7 stripped wires (Communication)	45-101891-07	45-101891-07	45-101891-07	
		Memory Card	47-102738-59	47-102738-60	47-102738-61	
		Sensor/Clip Assembly	47-102710-16	47-102710-16	47-102710-16	
		Push Mount Tie (for Memory Card Wire Tie)	64-102873-01	64-102873-01	64-102873-01	

No.	Notes	MODEL	RH2T	RH2T	RH2T	RH2T
		CAPACITY	24	36	48	60
		CABINET SIZE	21	21	24	24
		COIL SIZE/METERING	MT	MT	MT	ST
		MAJOR SERIES/CONTROLS	AN	AN	AN	AN
		VOLTAGE/MINOR SERIES	JA	JA	JA	JA
<b>BLOWER GROUP</b>						
15	Stk	Blower Assembly (Includes items 16-22)	AS-101886-07	AS-101886-08	AS-101886-09	AS-101886-10
16		Mounting Bracket - Control Board	AE-101049-01	AE-101049-01	AE-101049-01	AE-101049-01
17		Transformer	See Electrical Group			
18		Control Board	See Electrical Group			
19		Blower Housing w/Wheel	70-101729-02	70-101729-08	70-101729-04	70-101729-04
	Stk	Blower Wheel	703014	703023	703015	703015
20		Motor Mount - Band	70-19927-04	70-19927-04	70-19927-04	70-19927-04
21		Motor Mount - Arm (4)	70-19929-10	70-19929-10	70-19929-10	70-19929-10
22	Stk	Blower Motor	51-101879-08	51-101920-22	51-101920-23	51-101920-24
23		Mounting Bracket Cover	AE-101797-01	AE-101797-01	AE-101797-01	AE-101797-01

No.	Notes	MODEL	RH2T	RH2T	RH2T	RH2T
		CAPACITY	24	36	48	60
		CABINET SIZE	21	21	21	24
		COIL SIZE/METERING	ME	ME	ME	ME
		MAJOR SERIES/CONTROLS	AC	AC	AC	AC
		VOLTAGE/MINOR SERIES	JA	JA	JA	JA
<b>BLOWER GROUP</b>						
15	Stk	Blower Assembly (Includes items 16-22)	AS-101886-17	AS-101886-18	AS-101886-19	AS-101886-20
16		Mounting Bracket - Control Board	AE-101049-01	AE-101049-01	AE-101049-01	AE-101049-01
17		Transformer	See Electrical Group			
18		Control Board	See Electrical Group			
19		Blower Housing w/Wheel	70-101729-02	70-101729-08	70-101729-08	70-101729-04
	Stk	Blower Wheel	703014	703023	703023	703015
20		Motor Mount - Band	70-19927-04	70-19927-04	70-19927-04	70-19927-04
21		Motor Mount - Arm (4)	70-19929-10	70-19929-10	70-19929-10	70-19929-10
22	Stk	Blower Motor	51-104358-20	51-104360-33	51-104360-34	51-104360-35
23		Mounting Bracket Cover	AE-101797-01	AE-101797-01	AE-101797-01	AE-101797-01

No.	Notes	MODEL	RH2T	RH2T	RH2T	
		CAPACITY	24	36	60	
		CABINET SIZE	17	17	21	
		COIL SIZE/METERING	SE	SE	SE	
		MAJOR SERIES/CONTROLS	AC	AC	AC	
		VOLTAGE/MINOR SERIES	JA	JA	JA	
<b>BLOWER GROUP</b>						
15	Stk	Blower Assembly (Includes items 16-22)	AS-101886-21	AS-101886-22	AS-101886-23	
16		Mounting Bracket - Control Board	AE-101049-01	AE-101049-01	AE-101049-01	
17		Transformer	See Electrical Group			
18		Control Board	See Electrical Group			
19		Blower Housing w/Wheel	70-101729-02	70-101729-02	70-101729-08	
	Stk	Blower Wheel	703014	703014	703023	
20		Motor Mount - Band	70-19927-04	70-19927-04	70-19927-04	
21		Motor Mount - Arm (4)	70-19929-10	70-19929-10	70-19929-10	
22	Stk	Blower Motor	51-101879-01	51-104359-01	51-104360-36	
23		Mounting Bracket Cover	AE-101797-01	AE-101797-01	AE-101797-01	

No.	Notes	MODEL	RH2T	RH2T	RH2T	RH2T
		CAPACITY	24	36	48	60
		CABINET SIZE	21	21	21	24
		COIL SIZE/METERING	MT	MT	MT	ST
<b>COIL GROUP</b>						
12		Replacement Coil w/TXV	RCH-2421HTAVUA	RCH-3621MTAVUA	RCH-4824HTAVUA	RCH-6024HTAVUA
		Horizontal Adapter Kit	See specified RCH Coil Parts List			
		Drain Pan - Vertical	See specified RCH Coil Parts List			
		TXV	See specified RCH Coil Parts List			

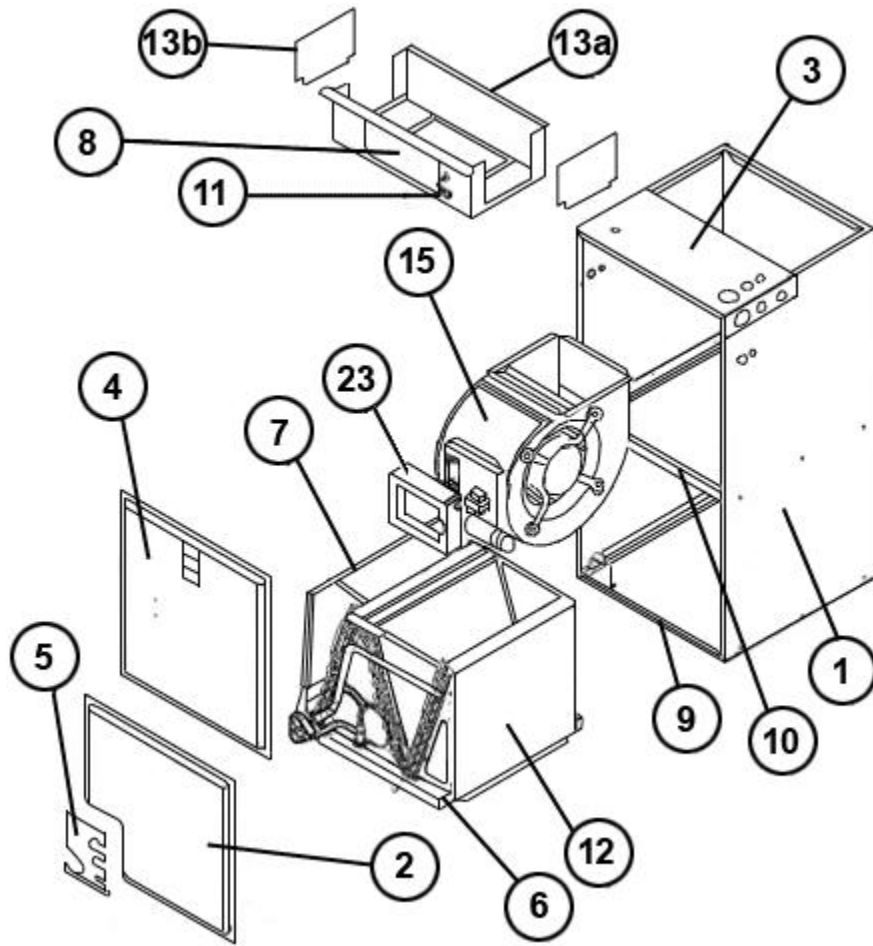
No.	Notes	MODEL	RH2T	RH2T	RH2T	RH2T
		CAPACITY	24	36	48	60
		CABINET SIZE	21	21	21	24
		COIL SIZE/METERING	ME	ME	ME	ME
<b>COIL GROUP</b>						
12		Replacement Coil w/TXV	RCH-2421MEAVUA	RCH-3621MEAVUA	RCH-6021SEAVUA	RCH-6024MEAVUA
		Horizontal Adapter Kit	See specified RCH Coil Parts List			
		Drain Pan - Vertical	See specified RCH Coil Parts List			
		TXV	See specified RCH Coil Parts List			

No.	Notes	MODEL	RH2T	RH2T	RH2T	
		CAPACITY	24	36	60	
		CABINET SIZE	17	17	21	
		COIL SIZE/METERING	SE	SE	SE	
<b>COIL GROUP</b>						
12		Replacement Coil w/TXV	RCH-2417SEAVUA	RCH-3617SEAVUA	RCH-6021SEAVUA	
		Horizontal Adapter Kit	See specified RCH Coil Parts List			
		Drain Pan - Vertical	See specified RCH Coil Parts List			
		TXV	See specified RCH Coil Parts List			

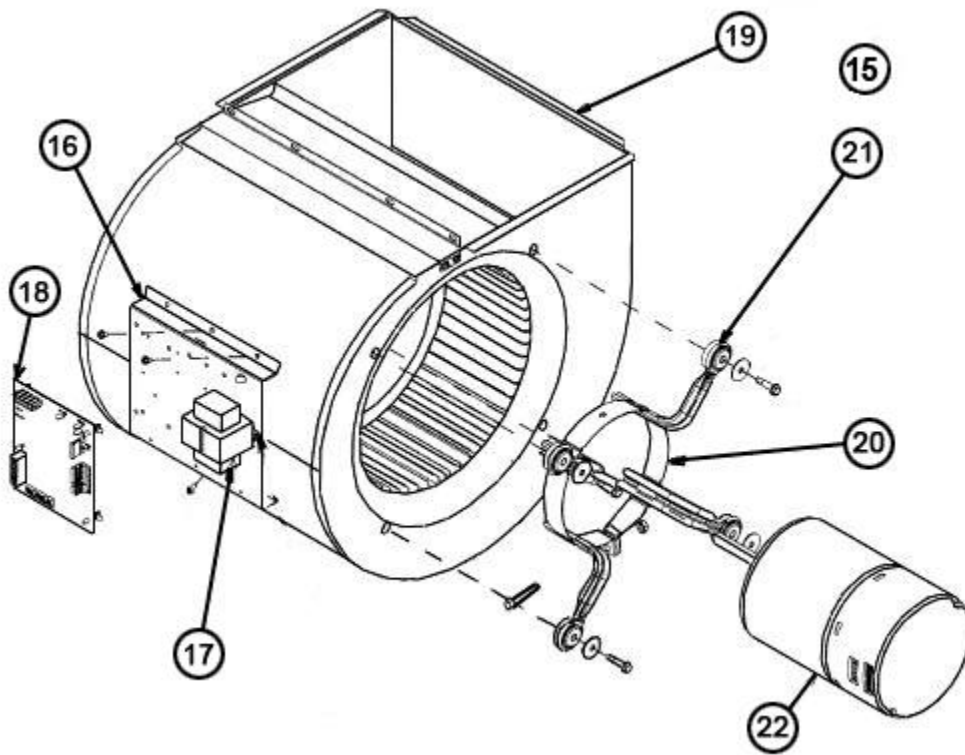


No.	Notes	MODEL CAPACITY CABINET SIZE COIL SIZE/METERING	RH2T	RH2T	RH2T	RH2T
			24 21 MT/ME	36 21 MT/ME	48 24/21 MT/ME	60 24 ST/ME
<b>HEATER KITS</b>						
		Heater Kit - 3kW/208-240/1	RXBH-17A03J RXBH-17B03J RXBH-17C03J	N/A	N/A	N/A
		Heater Kit - 5kW/208-240/1	RXBH-1724A05J RXBH-1724B05J RXBH-1724C05J	RXBH-1724A05J RXBH-1724B05J RXBH-1724C05J	RXBH-1724A05J RXBH-1724B05J RXBH-1724C05J	RXBH-1724A05J RXBH-1724B05J RXBH-1724C05J
		Heater Kit - 7kW/208-240/1	RXBH-1724A07J RXBH-1724B07J RXBH-1724C07J	RXBH-1724A07J RXBH-1724B07J RXBH-1724C07J	RXBH-1724A07J RXBH-1724B07J RXBH-1724C07J	RXBH-1724A07J RXBH-1724B07J RXBH-1724C07J
		Heater Kit - 10kW/208-240/1	RXBH-1724A10J RXBH-1724B10J RXBH-1724C10J	RXBH-1724A10J RXBH-1724B10J RXBH-1724C10J	RXBH-1724A10J RXBH-1724B10J RXBH-1724C10J	RXBH-1724A10J RXBH-1724B10J RXBH-1724C10J
		Heater Kit - 13kW/208-240/1	RXBH-1724A13J	N/A	N/A	N/A
		Heater Kit - 15kW/208-240/1	RXBH-1724A15J	RXBH-1724A15J	RXBH-1724A15J	RXBH-1724A15J
		Heater Kit - 18kW/208-240/1	RXBH-1724A18J	RXBH-1724A18J	RXBH-1724A18J	RXBH-1724A18J
		Heater Kit - 20kW/208-240/1	N/A	N/A	RXBH-24A20J	RXBH-24A20J
		Heater Kit - 25kW/208-240/1	N/A	N/A	RXBH-24A25J	RXBH-24A25J
		Heater Kit - 30kW/208-240/1	N/A	N/A	N/A	RXBH-24A30J
		Heater Kit - 7kW/208-240/3	RXBH-1724A07C	RXBH-1724A07C	RXBH-1724A07C	RXBH-1724A07C
		Heater Kit - 10kW/208-240/3	RXBH-1724A10C	RXBH-1724A10C	RXBH-1724A10C	RXBH-1724A10C
		Heater Kit - 13kW/208-240/3	RXBH-1724A13C	N/A	N/A	N/A
		Heater Kit - 15kW/208-240/3	RXBH-1724A15C	RXBH-1724A15C	RXBH-1724A15C	RXBH-1724A15C
		Heater Kit - 18kW/208-240/3	RXBH-1724A18C	RXBH-1724A18C	RXBH-1724A18C	RXBH-1724A18C
		Heater Kit - 20kW/208-240/3	N/A	N/A	RXBH-24A20C	RXBH-24A20C
		Heater Kit - 25kW/208-240/3	N/A	N/A	RXBH-24A25C	RXBH-24A25C
		Heater Kit - 30kW/208-240/3	N/A	N/A	N/A	RXBH-24A30C

No.	Notes	MODEL CAPACITY CABINET SIZE COIL SIZE/METERING	RH2T	RH2T	RH2T	
			24 17 SE	36 17 SE	60 21 SE	
<b>HEATER KITS</b>						
		Heater Kit - 3kW/208-240/1	RXBH-17A03J RXBH-17B03J RXBH-17C03J	RXBH-17A03J RXBH-17B03J RXBH-17C03J	N/A	
		Heater Kit - 5kW/208-240/1	RXBH-1724A05J RXBH-1724B05J RXBH-1724C05J	RXBH-1724A05J RXBH-1724B05J RXBH-1724C05J	RXBH-1724A05J RXBH-1724B05J RXBH-1724C05J	
		Heater Kit - 7kW/208-240/1	RXBH-1724A07J RXBH-1724B07J RXBH-1724C07J	RXBH-1724A07J RXBH-1724B07J RXBH-1724C07J	RXBH-1724A07J RXBH-1724B07J RXBH-1724C07J	
		Heater Kit - 10kW/208-240/1	RXBH-1724A10J RXBH-1724B10J RXBH-1724C10J	RXBH-1724A10J RXBH-1724B10J RXBH-1724C10J	RXBH-1724A10J RXBH-1724B10J RXBH-1724C10J	
		Heater Kit - 13kW/208-240/1	RXBH-1724A13J	RXBH-1724A13J	N/A	
		Heater Kit - 15kW/208-240/1	RXBH-1724A15J	RXBH-1724A15J	RXBH-1724A15J	
		Heater Kit - 18kW/208-240/1	RXBH-1724A18J	RXBH-1724A18J	RXBH-1724A18J	
		Heater Kit - 20kW/208-240/1	N/A	N/A	RXBH-24A20J	
		Heater Kit - 25kW/208-240/1	N/A	N/A	RXBH-24A25J	
		Heater Kit - 7kW/208-240/3	RXBH-1724A07C	RXBH-1724A07C	RXBH-1724A07C	
		Heater Kit - 10kW/208-240/3	RXBH-1724A10C	RXBH-1724A10C	RXBH-1724A10C	
		Heater Kit - 13kW/208-240/3	RXBH-1724A13C	RXBH-1724A13C	N/A	
		Heater Kit - 15kW/208-240/3	RXBH-1724A15C	RXBH-1724A15C	RXBH-1724A15C	
		Heater Kit - 18kW/208-240/3	RXBH-1724A18C	RXBH-1724A18C	RXBH-1724A18C	
		Heater Kit - 20kW/208-240/3	N/A	N/A	RXBH-24A20C	
		Heater Kit - 25kW/208-240/3	N/A	N/A	RXBH-24A25C	



Exploded View



Blower Assembly

# NOTES

Stk It is recommended that stock be maintained for this part.  
N/A Not Applicable

**DISCLAIMER:** This document is intended to provide general replacement parts information to aid qualified service personnel in the repair of these models. The complete Model and Serial Number of the unit under repair should be specified when selecting and ordering replacement parts. Specifications and illustrations are subject to change without notice. Document 92-42800-RH2T supersedes all previous parts lists for these models. See <http://www.rheempartslists.net/92-42800-RH2T> for the latest revision of this document. The manufacturer assumes no obligation for errors or omissions. Service personnel must verify the proper and safe operation of equipment after the replacement of any original components.