



RH1T

Parts List
28-August-2014



*This parts list is current as of the above revision date.
See <http://www.rheempartslists.net/92-42800-RH1T.pdf> for the current revision.*

Air Handlers

Table of Contents

Model Explanation	Page 3
Parts Numbers	
Panels - Miscellaneous (1)	Page 4
Panels - Miscellaneous (2)	Page 5
Electrical Group (1)	Page 6
Electrical Group (2)	Page 7
Blower Group (1)	Page 8
Blower Group (2)	Page 9
Coil Parts	Page 10
Heater Kits	Page 10
Drawings/Photographs	
Exploded View	Page 11
Blower Assembly	Page 12
Notes/Disclaimer	Page 13

MODEL NUMBER EXPLANATION

R	H	1	T	2	4	1	7	S	T	A	N	A	A	***
1	2	3	4	5		6		7	8	9	10	11	12	13

- | | |
|----------------------------------------------------------------------------------------------------------------------------------------------------------------------------------------------------------------------------------------------------------------------------------------------------------------------------------------------------------------------------------------------------------------------------------------------------------------------------------------------------------------------------------------------------------------------------|--------------------------------------------------------------------------------------------------------------------------------------------------------------------------------------------------------------------------------------------------------------------------------------------------------------------------------------------------------------------------------------------------------|
| <p>(1) BRAND</p> <p>(2) AIR HANDLER</p> <p>(3) STAGE OF AIRFLOW
1 = Single</p> <p>(4) MOTOR TYPE
T = Constant Torque</p> <p>(5) CAPACITY (BTU/HR)
18 = 18,000 BTU/HR
24 = 24,000 BTU/HR
30 = 30,000 BTU/HR
36 = 36,000 BTU/HR
42 = 42,000 BTU/HR
48 = 48,000 BTU/HR
60 = 60,000 BTU/HR</p> <p>(6) WIDTH
17 = 17.5 in. (600 - 1200 CFM)
21 = 21 in. (800 - 1600 CFM)
24 = 24.5 in. (1400 - 1800 CFM)</p> <p>(7) COIL SIZE
S = Standard
M = Medium
H = High</p> | <p>(8) METERING DEVICE
T = TEV
E = EEV
P = Piston</p> <p>(9) MAJOR SERIES
A = First</p> <p>(10) CONTROLS
C = Communicating
N = Non-Communicating</p> <p>(11) VOLTAGE
A = 115/1/60
D = 460/3/60
J = 208-230/1/60
T = 220-240/1/50</p> <p>(12) MINOR SERIES
A = First</p> <p>(13) OPTION CODE
Blank = None</p> |
|----------------------------------------------------------------------------------------------------------------------------------------------------------------------------------------------------------------------------------------------------------------------------------------------------------------------------------------------------------------------------------------------------------------------------------------------------------------------------------------------------------------------------------------------------------------------------|--------------------------------------------------------------------------------------------------------------------------------------------------------------------------------------------------------------------------------------------------------------------------------------------------------------------------------------------------------------------------------------------------------|

SERIAL NUMBER EXPLANATION

W	0	7	0	9	9	9	9	9	9
1	2	3	4						

- 1** **PRODUCTION LOCATION**
W = Nuevo Laredo (West)
- 2** **WEEK OF PRODUCTION**
- 3** **YEAR OF PRODUCTION**
- 4** **PRODUCTION NUMBER**

No.	Notes	MODEL	RH1T	RH1T	RH1T	RH1T	RH1T	RH1T	
		CAPACITY	24	24	24	24	36	36	
		CABINET SIZE	17	17	17	17	17	17	
		COIL SIZE/METERING	SP	SP	ST	ST	SP	SP	
		MAJOR SERIES/CONTROLS	AN	AN	AN	AN	AN	AN	
		VOLTAGE/MINOR SERIES	AA	JA	AA	JA	AA	JA	
PANELS, SHEET METAL, MISCELLANEOUS									
1		Cabinet	AE-100682-31	AE-100682-31	AE-100682-31	AE-100682-31	AE-100682-31	AE-100682-31	
		Insulation - Cabinet	68-101121-01	68-101121-01	68-101121-01	68-101121-01	68-101121-01	68-101121-01	
		Insulation Retainer Rod (2)	45-102868-02	45-102868-02	45-102868-02	45-102868-02	45-102868-02	45-102868-02	
2		Coil Door	AE-100685-32	AE-100685-32	AE-100685-32	AE-100685-32	AE-100685-32	AE-100685-32	
		Insulation - Coil Door	68-101577-06	68-101577-06	68-101577-06	68-101577-06	68-101577-06	68-101577-06	
3		Top Cover Plate	AE-100686-31	AE-100686-31	AE-100686-31	AE-100686-31	AE-100686-31	AE-100686-31	
		Insulation - Top Cover Plate	68-101122-01	68-101122-01	68-101122-01	68-101122-01	68-101122-01	68-101122-01	
4		Blower Door	AE-100684-31	AE-100684-31	AE-100684-31	AE-100684-31	AE-100684-31	AE-100684-31	
		Insulation - Blower Door	68-101576-01	68-101576-01	68-101576-01	68-101576-01	68-101576-01	68-101576-01	
5		Access Panel	AE-101133-31	AE-101133-31	AE-101133-31	AE-101133-31	AE-101133-31	AE-101133-31	
		Insulation - Access Panel	68-101644-01	68-101644-01	68-101644-01	68-101644-01	68-101644-01	68-101644-01	
6		Drain Pan - Vertical	See RCH Coil Parts List						
7		Drain Pan - Horizontal	See RCH Coil Parts List						
8		Plate - Block Off	AE-100455-01	AE-100455-01	AE-100455-01	AE-100455-01	AE-100455-01	AE-100455-01	
9		Cabinet Brace	AE-101134-02	AE-101134-02	AE-101134-02	AE-101134-02	AE-101134-02	AE-101134-02	
10		Middle Brace	AE-101054-01	AE-101054-01	AE-101054-01	AE-101054-01	AE-101054-01	AE-101054-01	
13a		Heat Barrier	AE-100683-02	AE-100683-02	AE-100683-03	AE-100683-03	AE-100683-03	AE-100683-03	
13b		Heat Barrier Side (2)	AE-104241-01	AE-104241-01	AE-104241-01	AE-104241-01	AE-104241-01	AE-104241-01	
		Touch-up Paint - Granite/Steel Gray (Aerosol)	PD523018	PD523018	PD523018	PD523018	PD523018	PD523018	
		Touch-up Paint - Granite/Steel Gray (Paint Pens)	PD523019	PD523019	PD523019	PD523019	PD523019	PD523019	

No.	Notes	MODEL	RH1T	RH1T	RH1T	RH1T			
		CAPACITY	36	36	36	36			
		CABINET SIZE	17	17	21	21			
		COIL SIZE/METERING	ST	ST	MT	MT			
		MAJOR SERIES/CONTROLS	AN	AN	AN	AN			
		VOLTAGE/MINOR SERIES	AA	JA	AA	JA			
PANELS, SHEET METAL, MISCELLANEOUS									
1		Cabinet	AE-100682-31	AE-100682-31	AE-100682-33	AE-100682-33			
		Insulation - Cabinet	68-101121-01	68-101121-01	68-101121-03	68-101121-03			
		Insulation Retainer Rod (2)	45-102868-02	45-102868-02	45-102868-03	45-102868-03			
2		Coil Door	AE-100685-32	AE-100685-32	AE-100685-34	AE-100685-34			
		Insulation - Coil Door	68-101577-06	68-101577-06	68-101577-08	68-101577-08			
3		Top Cover Plate	AE-100686-31	AE-100686-31	AE-100686-32	AE-100686-32			
		Insulation - Top Cover Plate	68-101122-01	68-101122-01	68-101122-02	68-101122-02			
4		Blower Door	AE-100684-31	AE-100684-31	AE-100684-32	AE-100684-32			
		Insulation - Blower Door	68-101576-01	68-101576-01	68-101576-02	68-101576-02			
5		Access Panel	AE-101133-31	AE-101133-31	AE-101133-31	AE-101133-31			
		Insulation - Access Panel	68-101644-01	68-101644-01	68-101644-01	68-101644-01			
6		Drain Pan - Vertical	See RCH Coil Parts List						
7		Drain Pan - Horizontal	See RCH Coil Parts List						
8		Plate - Block Off	AE-100455-01	AE-100455-01	AE-100455-01	AE-100455-01			
9		Cabinet Brace	AE-101134-02	AE-101134-02	AE-101134-03	AE-101134-03			
10		Middle Brace	AE-101054-01	AE-101054-01	AE-101054-02	AE-101054-02			
13a		Heat Barrier	AE-100683-03	AE-100683-03	AE-100683-06	AE-100683-06			
13b		Heat Barrier Side (2)	AE-104241-01	AE-104241-01	AE-104241-01	AE-104241-01			
		Touch-up Paint - Granite/Steel Gray (Aerosol)	PD523018	PD523018	PD523018	PD523018			
		Touch-up Paint - Granite/Steel Gray (Paint Pens)	PD523019	PD523019	PD523019	PD523019			

No.	Notes	MODEL	RH1T	RH1T	RH1T	RH1T	RH1T	RH1T	
		CAPACITY	48	48	48	48	48	48	
		CABINET SIZE	21	21	21	21	24	24	
		COIL SIZE/METERING	SP	SP	ST	ST	ST	ST	
		MAJOR SERIES/CONTROLS	AN	AN	AN	AN	AN	AN	
		VOLTAGE/MINOR SERIES	AA	JA	AA	JA	AA	JA	
PANELS, SHEET METAL, MISCELLANEOUS									
1		Cabinet	AE-100682-33	AE-100682-33	AE-100682-33	AE-100682-33	AE-100682-35	AE-100682-35	
		Insulation - Cabinet	68-101121-03	68-101121-03	68-101121-03	68-101121-03	68-101121-04	68-101121-04	
		Insulation Retainer Rod (2)	45-102868-03	45-102868-03	45-102868-03	45-102868-03	45-102868-04	45-102868-04	
2		Coil Door	AE-100685-34	AE-100685-34	AE-100685-34	AE-100685-34	AE-100685-36	AE-100685-36	
		Insulation - Coil Door	68-101577-08	68-101577-08	68-101577-08	68-101577-08	68-101577-09	68-101577-09	
3		Top Cover Plate	AE-100686-32	AE-100686-32	AE-100686-32	AE-100686-32	AE-100686-33	AE-100686-33	
		Insulation - Top Cover Plate	68-101122-02	68-101122-02	68-101122-02	68-101122-02	68-101122-03	68-101122-03	
4		Blower Door	AE-100684-32	AE-100684-32	AE-100684-32	AE-100684-32	AE-100684-33	AE-100684-33	
		Insulation - Blower Door	68-101576-02	68-101576-02	68-101576-02	68-101576-02	68-101576-03	68-101576-03	
5		Access Panel	AE-101133-31	AE-101133-31	AE-101133-31	AE-101133-31	AE-101133-31	AE-101133-31	
		Insulation - Access Panel	68-101644-01	68-101644-01	68-101644-01	68-101644-01	68-101644-01	68-101644-01	
6		Drain Pan - Vertical	See RCH Coil Parts List						
7		Drain Pan - Horizontal	See RCH Coil Parts List						
8		Plate - Block Off	AE-100455-01	AE-100455-01	AE-100455-01	AE-100455-01	AE-100455-01	AE-100455-01	
9		Cabinet Brace	AE-101134-03	AE-101134-03	AE-101134-03	AE-101134-03	AE-101134-04	AE-101134-04	
10		Middle Brace	AE-101054-02	AE-101054-02	AE-101054-02	AE-101054-02	AE-101054-03	AE-101054-03	
13a		Heat Barrier	AE-100683-06	AE-100683-06	AE-100683-06	AE-100683-06	AE-100683-08	AE-100683-08	
13b		Heat Barrier Side (2)	AE-104241-01	AE-104241-01	AE-104241-01	AE-104241-01	AE-104241-01	AE-104241-01	
		Touch-up Paint - Granite/Steel Gray (Aerosol)	PD523018	PD523018	PD523018	PD523018	PD523018	PD523018	
		Touch-up Paint - Granite/Steel Gray (Paint Pens)	PD523019	PD523019	PD523019	PD523019	PD523019	PD523019	

No.	Notes	MODEL	RH1T	RH1T	RH1T				
		CAPACITY	60	60	60				
		CABINET SIZE	24	24	24				
		COIL SIZE/METERING	ST	ST	ST				
		MAJOR SERIES/CONTROLS	AN	AN	AN				
		VOLTAGE/MINOR SERIES	AA	DA	JA				
PANELS, SHEET METAL, MISCELLANEOUS									
1		Cabinet	AE-100682-35	AE-100682-35	AE-100682-35				
		Insulation - Cabinet	68-101121-04	68-101121-04	68-101121-04				
		Insulation Retainer Rod (2)	45-102868-04	45-102868-04	45-102868-04				
2		Coil Door	AE-100685-36	AE-100685-36	AE-100685-36				
		Insulation - Coil Door	68-101577-09	68-101577-09	68-101577-09				
3		Top Cover Plate	AE-100686-33	AE-100686-33	AE-100686-33				
		Insulation - Top Cover Plate	68-101122-03	68-101122-03	68-101122-03				
4		Blower Door	AE-100684-33	AE-100684-33	AE-100684-33				
		Insulation - Blower Door	68-101576-03	68-101576-03	68-101576-03				
5		Access Panel	AE-101133-31	AE-101133-31	AE-101133-31				
		Insulation - Access Panel	68-101644-01	68-101644-01	68-101644-01				
6		Drain Pan - Vertical	See RCH Coil Parts List						
7		Drain Pan - Horizontal	See RCH Coil Parts List						
8		Plate - Block Off	AE-100455-01	AE-100455-01	AE-100455-01				
9		Cabinet Brace	AE-101134-04	AE-101134-04	AE-101134-04				
10		Middle Brace	AE-101054-03	AE-101054-03	AE-101054-03				
13a		Heat Barrier	AE-100683-08	AE-100683-08	AE-100683-08				
13b		Heat Barrier Side (2)	AE-104241-01	AE-104241-01	AE-104241-01				
		Touch-up Paint - Granite/Steel Gray (Aerosol)	PD523018	PD523018	PD523018				
		Touch-up Paint - Granite/Steel Gray (Paint Pens)	PD523019	PD523019	PD523019				

No.	Notes	MODEL	RH1T	RH1T	RH1T	RH1T	RH1T	RH1T
		CAPACITY	24	24	24	24	36	36
		CABINET SIZE	17	17	17	17	17	17
		COIL SIZE/METERING	SP	SP	ST	ST	SP	SP
		MAJOR SERIES/CONTROLS	AN	AN	AN	AN	AN	AN
		VOLTAGE/MINOR SERIES	AA	JA	AA	JA	AA	JA
ELECTRICAL GROUP								
17	Stk	Transformer	46-101944-01	46-101905-01	46-101944-01	46-101905-01	46-101944-01	46-101905-01
18	Stk	Control Board	47-102077-05	47-102077-05	47-102077-05	47-102077-05	47-102077-05	47-102077-05
		Wiring Harness - 6 Pin Molex to 6 stripped wires (For T-Stat)	45-101891-01	45-101891-01	45-101891-01	45-101891-01	45-101891-01	45-101891-01
		Wiring Harness - 1 strip lead and 1 connector to single connector (Control Transformer to Blower Motor to Terminal Block - Black Wires)	45-24258-18	45-24258-18	45-24258-18	45-24258-18	45-24258-18	45-24258-18
		Wiring Harness - 1 strip lead and 1 connector to single connector (Control Transformer to Blower Motor and Terminal Block)	45-24258-24	45-24258-22	45-24258-24	45-24258-22	45-24258-24	45-24258-22
11		Terminal Block	45-23222-02	45-23222-02	45-23222-02	45-23222-02	45-23222-02	45-23222-02

No.	Notes	MODEL	RH1T	RH1T	RH1T	RH1T		
		CAPACITY	36	36	36	36		
		CABINET SIZE	17	17	21	21		
		COIL SIZE/METERING	ST	ST	MT	MT		
		MAJOR SERIES/CONTROLS	AN	AN	AN	AN		
		VOLTAGE/MINOR SERIES	AA	JA	AA	JA		
ELECTRICAL GROUP								
17	Stk	Transformer	46-101944-01	46-101905-01	46-101944-01	46-101905-01		
18	Stk	Control Board	47-102077-05	47-102077-05	47-102077-05	47-102077-05		
		Wiring Harness - 6 Pin Molex to 6 stripped wires (For T-Stat)	45-101891-01	45-101891-01	45-101891-01	45-101891-01		
		Wiring Harness - 1 strip lead and 1 connector to single connector (Control Transformer to Blower Motor to Terminal Block - Black Wires)	45-24258-18	45-24258-18	45-24258-18	45-24258-18		
		Wiring Harness - 1 strip lead and 1 connector to single connector (Control Transformer to Blower Motor and Terminal Block)	45-24258-24	45-24258-22	45-24258-24	45-24258-22		
11		Terminal Block	45-23222-02	45-23222-02	45-23222-02	45-23222-02		

No.	Notes	MODEL	RH1T	RH1T	RH1T	RH1T	RH1T	RH1T
		CAPACITY	48	48	48	48	48	48
		CABINET SIZE	21	21	21	21	24	24
		COIL SIZE/METERING	SP	SP	ST	ST	ST	ST
		MAJOR SERIES/CONTROLS	AN	AN	AN	AN	AN	AN
		VOLTAGE/MINOR SERIES	AA	JA	AA	JA	AA	JA
ELECTRICAL GROUP								
17	Stk	Transformer	46-101944-01	46-101905-01	46-101944-01	46-101905-01	46-101944-01	46-101905-01
18	Stk	Control Board	47-102077-05	47-102077-05	47-102077-05	47-102077-05	47-102077-05	47-102077-05
		Wiring Harness - 6 Pin Molex to 6 stripped wires (For T-Stat)	45-101891-01	45-101891-01	45-101891-01	45-101891-01	45-101891-01	45-101891-01
		Wiring Harness - 1 strip lead and 1 connector to single connector (Control Transformer to Blower Motor to Terminal Block - Black Wires)	45-24258-18	45-24258-18	45-24258-18	45-24258-18	45-24258-18	45-24258-18
		Wiring Harness - 1 strip lead and 1 connector to single connector (Control Transformer to Blower Motor and Terminal Block)	45-24258-24	45-24258-22	45-24258-24	45-24258-22	45-24258-24	45-24258-22
11		Terminal Block	45-23222-02	45-23222-02	45-23222-02	45-23222-02	45-23222-02	45-23222-02

No.	Notes	MODEL	RH1T	RH1T	RH1T			
		CAPACITY	60	60	60			
		CABINET SIZE	24	24	24			
		COIL SIZE/METERING	ST	ST	ST			
		MAJOR SERIES/CONTROLS	AN	AN	AN			
		VOLTAGE/MINOR SERIES	AA	DA	JA			
ELECTRICAL GROUP								
17	Stk	Transformer	46-101944-01	46-101946-01	46-101905-01			
18	Stk	Control Board	47-102077-05	47-102077-05	47-102077-05			
		Wiring Harness - 6 Pin Molex to 6 stripped wires (For T-Stat)	45-101891-01	45-101891-01	45-101891-01			
		Wiring Harness - 1 strip lead and 1 connector to single connector (Control Transformer to Blower Motor to Terminal Block - Black Wires)	45-24258-18	45-24258-18	45-24258-18			
		Wiring Harness - 1 strip lead and 1 connector to single connector (Control Transformer to Blower Motor and Terminal Block)	45-24258-24	45-24258-22	45-24258-22			
11		Terminal Block	45-23222-02	45-23222-02	45-23222-02			

No.	Notes	MODEL	RH1T	RH1T	RH1T	RH1T	RH1T	RH1T
		CAPACITY	24	24	24	24	36	36
		CABINET SIZE	17	17	17	17	17	17
		COIL SIZE/METERING	SP	SP	ST	ST	SP	SP
		MAJOR SERIES/CONTROLS	AN	AN	AN	AN	AN	AN
		VOLTAGE/MINOR SERIES	AA	JA	AA	JA	AA	JA
BLOWER GROUP								
15	Stk	Blower Assembly (Includes items 16-22)	AS-101930-01	AS-101886-01	AS-101930-06	AS-101886-13	AS-101930-02	AS-101886-02
16		Mounting Bracket - Control Board	AE-101049-01	AE-101049-01	AE-101049-01	AE-101049-01	AE-101049-01	AE-101049-01
17		Transformer	See Electrical Group					
18		Control Board	See Electrical Group					
19		Blower Housing w/Wheel	70-101729-01	70-101729-01	70-101729-02	70-101729-02	70-101729-02	70-101729-02
	Stk	Blower Wheel	703012	703012	703014	703014	703014	703014
20		Motor Mount - Band	70-19927-04	70-19927-04	70-19927-04	70-19927-04	70-19927-04	70-19927-04
21		Motor Mount - Arm (4)	70-19929-10	70-19929-10	70-19929-10	70-19929-10	70-19929-10	70-19929-10
22	Stk	Blower Motor	51-104354-01	51-104358-01	51-102171-03	51-104358-09	51-104355-01	51-104359-01
23		Mounting Bracket Cover	AE-101797-01	AE-101797-01	AE-101797-01	AE-101797-01	AE-101797-01	AE-101797-01

No.	Notes	MODEL	RH1T	RH1T	RH1T	RH1T		
		CAPACITY	36	36	36	36		
		CABINET SIZE	17	17	21	21		
		COIL SIZE/METERING	ST	ST	MT	MT		
		MAJOR SERIES/CONTROLS	AN	AN	AN	AN		
		VOLTAGE/MINOR SERIES	AA	JA	AA	JA		
BLOWER GROUP								
15	Stk	Blower Assembly (Includes items 16-22)	AS-101930-02	AS-101886-02	AS-101930-05	AS-101886-06		
16		Mounting Bracket - Control Board	AE-101049-01	AE-101049-01	AE-101049-01	AE-101049-01		
17		Transformer	See Electrical Group					
18		Control Board	See Electrical Group					
19		Blower Housing w/Wheel	70-101729-02	70-101729-02	70-101729-08	70-101729-08		
	Stk	Blower Wheel	703014	703014	703023	703023		
20		Motor Mount - Band	70-19927-04	70-19927-04	70-19927-04	70-19927-04		
21		Motor Mount - Arm (4)	70-19929-10	70-19929-10	70-19929-10	70-19929-10		
22	Stk	Blower Motor	51-104355-01	51-104359-01	51-104355-05	51-104359-30		
		Power Factor Choke	N/A	N/A	46-24256-04	N/A		
23		Mounting Bracket Cover	AE-101797-01	AE-101797-01	AE-101797-01	AE-101797-01		

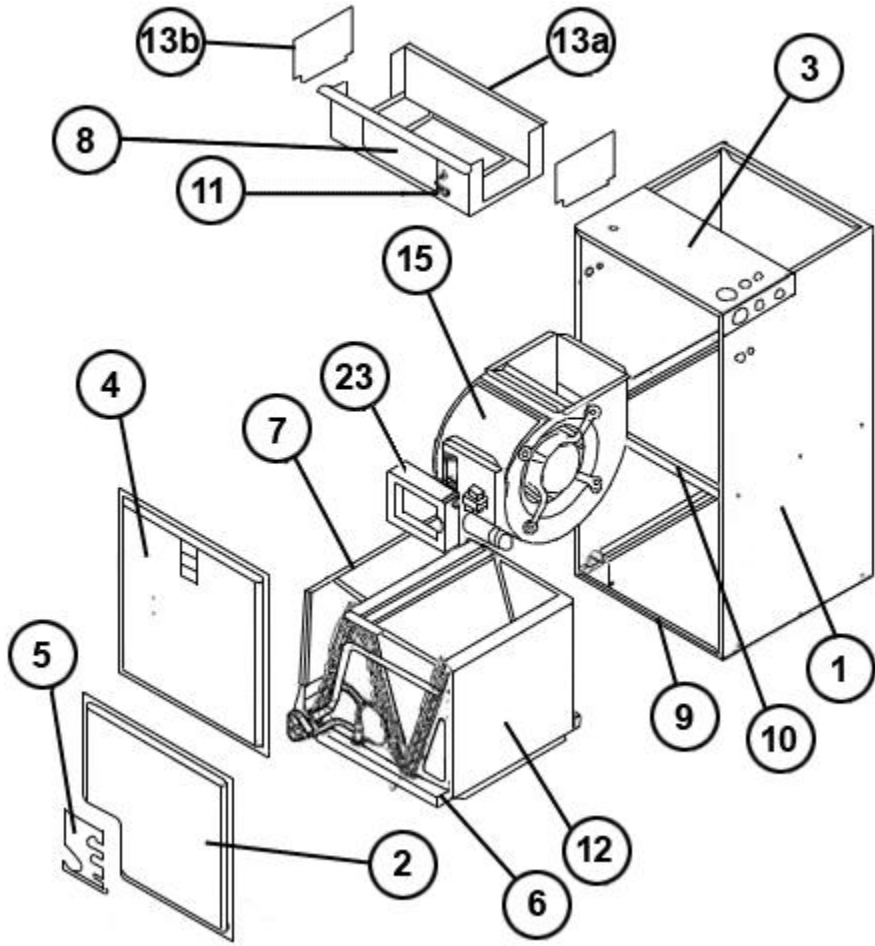
No.	Notes	MODEL	RH1T	RH1T	RH1T	RH1T	RH1T	RH1T
		CAPACITY	48	48	48	48	48	48
		CABINET SIZE	21	21	21	21	24	24
		COIL SIZE/METERING	SP	SP	ST	ST	ST	ST
		MAJOR SERIES/CONTROLS	AN	AN	AN	AN	AN	AN
		VOLTAGE/MINOR SERIES	AA	JA	AA	JA	AA	JA
BLOWER GROUP								
15	Stk	Blower Assembly (Includes items 16-22)	AS-101930-03	AS-101886-03	AS-101930-03	AS-101886-03	AS-101930-04	AS-101886-04
16		Mounting Bracket - Control Board	AE-101049-01	AE-101049-01	AE-101049-01	AE-101049-01	AE-101049-01	AE-101049-01
17		Transformer	See Electrical Group					
18		Control Board	See Electrical Group					
19		Blower Housing w/Wheel	70-101729-08	70-101729-08	70-101729-08	70-101729-08	70-101729-04	70-101729-04
	Stk	Blower Wheel	703023	703023	703023	703023	703015	703015
20		Motor Mount - Band	70-19927-04	70-19927-04	70-19927-04	70-19927-04	70-19927-04	70-19927-04
21		Motor Mount - Arm (4)	70-19929-10	70-19929-10	70-19929-10	70-19929-10	70-19929-10	70-19929-10
22	Stk	Blower Motor	51-104356-01	51-104360-01	51-104356-01	51-104360-01	51-104356-02	51-104360-02
		Power Factor Choke	46-24256-04	N/A	46-24256-04	N/A	46-24256-04	N/A
23		Mounting Bracket Cover	AE-101797-01	AE-101797-01	AE-101797-01	AE-101797-01	AE-101797-01	AE-101797-01

No.	Notes	MODEL	RH1T	RH1T	RH1T			
		CAPACITY	60	60	60			
		CABINET SIZE	24	24	24			
		COIL SIZE/METERING	ST	ST	ST			
		MAJOR SERIES/CONTROLS	AN	AN	AN			
		VOLTAGE/MINOR SERIES	AA	DA	JA			
BLOWER GROUP								
15	Stk	Blower Assembly (Includes items 16-22)	AS-101930-04	AS-101886-05	AS-101886-04			
16		Mounting Bracket - Control Board	AE-101049-01	AE-101049-01	AE-101049-01			
17		Transformer	See Electrical Group					
18		Control Board	See Electrical Group					
19		Blower Housing w/Wheel	70-101729-04	70-101729-04	70-101729-04			
	Stk	Blower Wheel	703015	703015	703015			
20		Motor Mount - Band	70-19927-04	70-19927-04	70-19927-04			
21		Motor Mount - Arm (4)	70-19929-10	70-19929-10	70-19929-10			
22	Stk	Blower Motor	51-104356-02	51-103253-01	51-104360-02			
		Power Factor Choke	46-24256-04	N/A	N/A			
23		Mounting Bracket Cover	AE-101797-01	AE-101797-01	AE-101797-01			

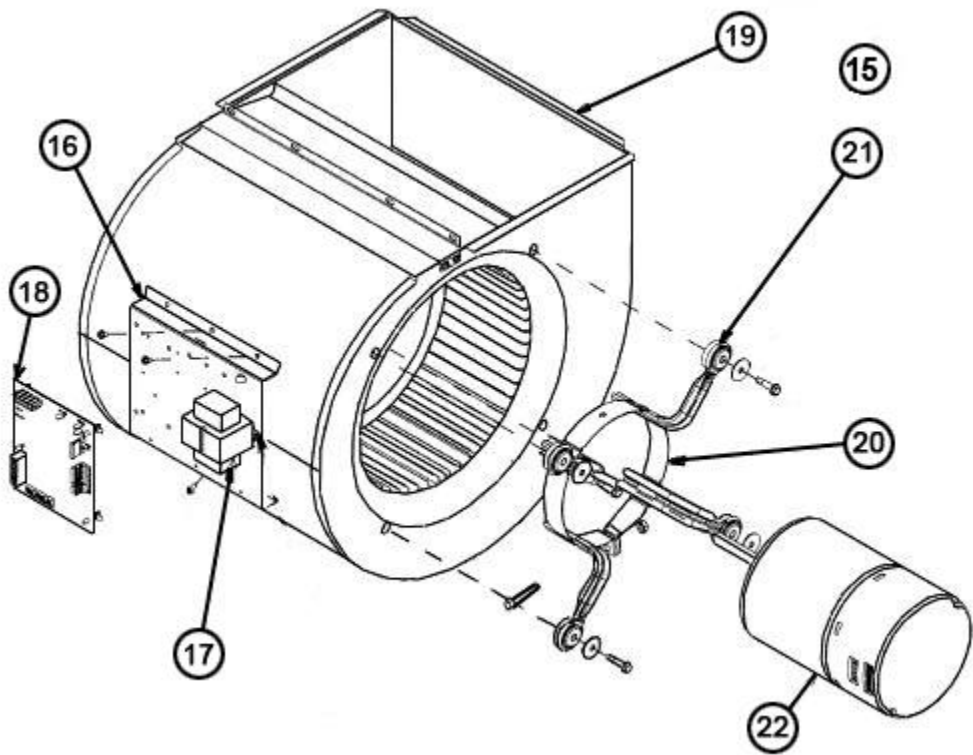
No.	Notes	MODEL	RH1T	RH1T	RH1T	RH1T	RH1T	RH1T
		CAPACITY	24	36	36	48	48	60
		CABINET SIZE	17	17	21	21	24	24
		COIL SIZE/METERING	ST	ST	MT	ST	ST	ST
COIL GROUP								
12		Replacement Coil w/TXV	RCH-2417STAMUA	RCH-3617STAMUA	RCH-3621MTAMUA	RCH-4821STAMUA	RCH-4824STAMUA	RCH-6024STAMUA
		Horizontal Adapter Kit	See specified RCH Coil Parts List					
		Drain Pan - Vertical	See specified RCH Coil Parts List					
		TXV	See specified RCH Coil Parts List					

No.	Notes	MODEL	RH1T	RH1T		RH1T		
		CAPACITY	24	36		48		
		CABINET SIZE	17	17		21		
		COIL SIZE/METERING	SP	SP		SP		
COIL GROUP (Piston Coil)								
12		Replacement Coil w/TXV	RCH-2417SPAMUA	RCH-3617SPAMUA		RCH-4821SPAMUA		
		Horizontal Adapter Kit	See specified RCH Coil Parts List					
		Drain Pan - Vertical	See specified RCH Coil Parts List					
		TXV	See specified RCH Coil Parts List					

No.	Notes	MODEL	RH1T	RH1T	RH1T	RH1T	RH1T	RH1T
		CAPACITY	24	36	36	48	48	60
		CABINET SIZE	17	17	21	21	24	24
		COIL SIZE/METERING	SP/ST	SP/ST	MT	SP/ST	ST	ST
HEATER KITS								
		Heater Kit - 3kW/208-240/1	RXBH-1724A03J RXBH-1724B03J RXBH-1724C03J	RXBH-1724A03J RXBH-1724B03J RXBH-1724C03J	N/A	N/A	N/A	N/A
		Heater Kit - 5kW/208-240/1	RXBH-1724A05J RXBH-1724B05J RXBH-1724C05J	RXBH-1724A05J RXBH-1724B05J RXBH-1724C05J	RXBH-1724A05J RXBH-1724B05J RXBH-1724C05J	RXBH-1724A05J RXBH-1724B05J RXBH-1724C05J	RXBH-1724A05J RXBH-1724B05J RXBH-1724C05J	RXBH-1724B05J RXBH-1724C05J
		Heater Kit - 7kW/208-240/1	RXBH-1724A07J RXBH-1724B07J RXBH-1724C07J	RXBH-1724A07J RXBH-1724B07J RXBH-1724C07J	RXBH-1724A07J RXBH-1724B07J RXBH-1724C07J	RXBH-1724A07J RXBH-1724B07J RXBH-1724C07J	RXBH-1724A07J RXBH-1724B07J RXBH-1724C07J	RXBH-1724A07J RXBH-1724B07J RXBH-1724C07J
		Heater Kit - 10kW/208-240/1	RXBH-1724A10J RXBH-1724B10J RXBH-1724C10J	RXBH-1724A10J RXBH-1724B10J RXBH-1724C10J	RXBH-1724A10J RXBH-1724B10J RXBH-1724C10J	RXBH-1724A10J RXBH-1724B10J RXBH-1724C10J	RXBH-1724A10J RXBH-1724B10J RXBH-1724C10J	RXBH-1724A10J RXBH-1724B10J RXBH-1724C10J
		Heater Kit - 13kW/208-240/1	RXBH-1724A13J	RXBH-1724A13J	N/A	N/A	N/A	N/A
		Heater Kit - 15kW/208-240/1	N/A	RXBH-1724A15J	RXBH-1724A15J	RXBH-1724A15J	RXBH-1724A15J	RXBH-1724A15J
		Heater Kit - 18kW/208-240/1	N/A	RXBH-1724A18J	RXBH-1724A18J	RXBH-1724A18J	RXBH-1724A18J	RXBH-1724A18J
		Heater Kit - 20kW/208-240/1	N/A	N/A	RXBH-24A20J	RXBH-24A20J	RXBH-24A20J	RXBH-24A20J
		Heater Kit - 25kW/208-240/1	N/A	N/A	RXBH-24A25J	RXBH-24A25J	RXBH-24A25J	RXBH-24A25J
		Heater Kit - 30kW/208-240/1	N/A	N/A	N/A	N/A	N/A	RXBH-24A30J
		Heater Kit - 7kW/208-240/3	RXBH-1724A07C	RXBH-1724A07C	RXBH-1724A07C	RXBH-1724A07C	RXBH-1724A07C	RXBH-1724A07C
		Heater Kit - 10kW/208-240/3	RXBH-1724A10C	RXBH-1724A10C	RXBH-1724A10C	RXBH-1724A10C	RXBH-1724A10C	RXBH-1724A10C
		Heater Kit - 13kW/208-240/3	RXBH-1724A13C	RXBH-1724A13C	N/A	N/A	N/A	N/A
		Heater Kit - 15kW/208-240/3	N/A	RXBH-1724A15C	RXBH-1724A15C	RXBH-1724A15C	RXBH-1724A15C	RXBH-1724A15C
		Heater Kit - 18kW/208-240/3	N/A	RXBH-1724A18C	RXBH-1724A18C	RXBH-1724A18C	RXBH-1724A18C	RXBH-1724A18C
		Heater Kit - 20kW/208-240/3	N/A	N/A	RXBH-24A20C	RXBH-24A20C	RXBH-24A20C	RXBH-24A20C
		Heater Kit - 25kW/208-240/3	N/A	N/A	RXBH-24A25C	RXBH-24A25C	RXBH-24A25C	RXBH-24A25C
		Heater Kit - 30kW/208-240/3	N/A	N/A	N/A	N/A	N/A	RXBH-24A30C
		Heater Kit - 7kW/480/3	N/A	RXBH-1724A07D	RXBH-1724A07D	N/A	RXBH-1724A07D	RXBH-1724A07D
		Heater Kit - 10kW/480/3	N/A	RXBH-1724A10D	RXBH-1724A10D	RXBH-1724A10D	RXBH-1724A10D	RXBH-1724A10D
		Heater Kit - 15kW/480/3	N/A	RXBH-1724A15D	RXBH-1724A15D	RXBH-1724A15D	RXBH-1724A15D	RXBH-1724A15D
		Heater Kit - 18kW/480/3	N/A	RXBH-1724A18D	RXBH-1724A18D	RXBH-1724A18D	RXBH-1724A18D	RXBH-1724A18D
		Heater Kit - 20kW/480/3	N/A	N/A	N/A	RXBH-24A20D	RXBH-24A20D	RXBH-24A20D
		Heater Kit - 25kW/480/3	N/A	N/A	N/A	RXBH-24A25D	RXBH-24A25D	RXBH-24A25D
		Heater Kit - 30kW/480/3	N/A	N/A	N/A	N/A	N/A	RXBH-24A30D



Exploded View



Blower Assembly

NOTES

Stk It is recommended that stock be maintained for this part.
N/A Not Applicable

DISCLAIMER: This document is intended to provide general replacement parts information to aid qualified service personnel in the repair of these models. The complete Model and Serial Number of the unit under repair should be specified when selecting and ordering replacement parts. Specifications and illustrations are subject to change without notice. Document 92-42800-RH1T supersedes all previous parts lists for these models. See <http://www.rheempartslists.net/92-42800-RH1T> for the latest revision of this document. The manufacturer assumes no obligation for errors or omissions. Service personnel must verify the proper and safe operation of equipment after the replacement of any original components.