



RGTM

Parts List
07-May-2013



*This parts list is current as of the above revision date.
See <http://www.rheempartslists.net/92-42800-RGTM.pdf> for the current revision.*

95% Gas Furnaces - 2 Stage

Table of Contents

Model Explanation	Page 3
Parts Numbers	
Panels - Miscellaneous	Page 4
Parts Bag	Page 5
Electrical Group	Page 6
Blower Group.....	Page 6
Heat Exchanger-Burner Group.....	Page 7
Gas Controls	Page 7
Orifice Selection Chart.....	Page 8
Drawings/Photographs	
Exploded View	Page 9
Blower Assembly	Page 10
Horizontal Installation Parts	Page 10
Burner Assembly	Page 11
Notes/Disclaimer	Page 12

MODEL NUMBER EXPLANATION

R	G	T	M	-	0	6	E	M	A	E	S	**
(1)	(2)	(3)	(4)			(5)		(6)	(7)	(8)	(9)	(10)

- | | |
|--|---|
| <p>(1) TRADEBRAND IDENTIFICATION</p> <p>(2) MODEL
G = Gas Furnace</p> <p>(3) TYPE
T = Downflow/Horizontal Condensing</p> <p>(4) DESIGN SERIES</p> <p>(5) HEATING INPUT DESIGNATION
06 = 60,000 BTU/HR
07 = 75,000 BTU/HR
09 = 90,000 BTU/HR
10 = 105,000 BTU/HR</p> <p>E = Electric
N = NOX</p> | <p>(6) BLOWER DESIGNATION
M = 11 x 7
R = 11 x 10
Z = 12 x 11</p> <p>(7) VARIATIONS
A = Standard
B = Wide Cabinet</p> <p>(8) AIRFLOW
E = 1100-1300 CFM
G = 1500-1700 CFM
J = 1900-2100 CFM</p> <p>(9) FUEL DESIGNATION
S = Natural Gas (U.S. & Canada)</p> <p>(10) 12-11 Housing with 11-10 Wheel</p> |
|--|---|

SERIAL NUMBER EXPLANATION

H	Q	5	D	7	0	7	F	1	1	1	0	9	9	9	9	9
(1)		(2)	(3)	(4)	(5)	(6)	(7)	(8)		(9)					(10)	

- | | |
|--|--|
| <p>(1) GAS CODE</p> <p>(2) LIMIT CONTROL</p> <p>(3) BLOWER</p> <p>(4) HEATING ELEMENT</p> <p>(5) SPECIAL AREA REQUIREMENT</p> | <p>(6) MOTOR HORSEPOWER</p> <p>(7) PLANT
F = Fort Smith, AR</p> <p>(8) WEEK</p> <p>(9) YEAR</p> <p>(10) PRODUCTION NUMBER</p> |
|--|--|

No.	Notes	MODEL HEATING CAPACITY BLOWER DESIGNATION VARIATION HEAT/COOL DESIGNATION	RGTM- 06E/N M A E	RGTM- 07E/N R B G	RGTM- 09E/N Z A J	RGTM- 10E/N R B J
PANELS, SHEET METAL, MISCELLANEOUS						
1		Blower/Filter Door (Neutra Green)	AS-61908-03	AS-61909-03	AS-61909-03	AS-61910-03
1		Blower/Filter Door (Granite/Steel Gray)	AS-61908-04	AS-61909-04	AS-61909-04	AS-61910-04
2		Burner Compartment Door (Neutra Green)	AS-61905-01	AS-61906-01	AS-61906-01	AS-61907-01
2		Burner Compartment Door (Granite/Steel Gray)	AS-61905-03	AS-61906-02	AS-61906-02	AS-61907-02
3		Induced Draft Blower w/Gasket	See Electrical Group			
5		Connector/Transition Assembly	68-24047-10	68-24047-11	68-24047-11	68-24047-12
6		Drain Tube - Double Elbow	79-102881-01	79-102881-01	79-102881-01	79-102881-01
7		Trap/Elbow Assembly (For Horizontal Applications, use Trap and Elbow from Parts Bag)	68-24048-01	68-24048-01	68-24048-01	68-24048-01
8		Water Trap Mount Bracket	AE-61841-01	AE-61841-01	AE-61841-01	AE-61841-01
9		Hose Clamps (4)	64-22043-01	64-22043-01	64-22043-01	64-22043-01
10		Tube Drain - Single Elbow Molded Hose	79-102882-01	68-24026-03	68-24026-03	68-24026-03
18		Limit - Main Limit (Heat Exchanger Panel)	See Electrical Group			
19		Heat Exchanger Assembly	See Heat Exchanger Group			
25		Silicone Tubing - Pressure Switch	AE-61737-28	AE-61737-28	AE-61737-28	AE-61737-28
26		Pressure Switch	See Electrical Group			
27		Button Plug - 2 in. opening	45-22980-08	45-22980-08	45-22980-08	45-22980-08
28		Door Angle Assembly	AS-67847-01	AS-67847-02	AS-67847-02	AS-67847-03
29		Grommet (2 in. opening)	56-22114-06	56-22114-06	56-22114-06	56-22114-06
30		Outlet Pipe Gasket	68-24022-02	68-24022-02	68-24022-02	68-24022-02
31		Outlet Pipe Assembly	68-24150-01	68-24150-01	68-24150-01	68-24150-02
32	3	Jacket (See Note 3)	N/A	N/A	N/A	N/A
33		Top Plate	AE-67805-02	AE-67805-03	AE-67805-03	AE-67805-04
		Top Plate Gasket	68-102279-01	68-102279-02	68-102279-02	68-102279-03
34		Inlet Air Chase Assembly	AS-67848-01	AS-67848-01	AS-67848-01	AS-67848-01
35		Inlet Air Chase Gasket	68-24022-01	68-24022-01	68-24022-01	68-24022-01
36		Button Plug - 2 in. opening	45-22980-08	45-22980-08	45-22980-08	45-22980-08
37		Junction Box Cover	AE-61476-02	AE-61476-02	AE-61476-02	AE-61476-02
38		Junction Box	AE-67825-01	AE-67825-01	AE-67825-01	AE-67825-01
39		Door Switch - Push Button	See Electrical Group			
44		Blower Assembly	See Blower Group			
		Filter - Plastic (2)	54-22699-01	54-22699-01	54-22699-01	54-22699-02
		Filter Rack	AE-66681-01	AE-66681-01	AE-66681-01	AE-66681-01
		Touch-up Paint - Platinum (Aerosol)	523012	523012	523012	523012
		Touch-up Paint - Platinum (Paint Pens)	523013	523013	523013	523013
		Touch-up Paint - Green (Aerosol)	52-18662-48	52-18662-48	52-18662-48	52-18662-48
		Touch-up Paint - Green (Paint Pens)	523010	523010	523010	523010
		Touch-up Paint - Granite/Steel Gray (Aerosol)	PD523018	PD523018	PD523018	PD523018
		Touch-up Paint - Granite/Steel Gray (Paint Pens)	PD523019	PD523019	PD523019	PD523019

No.	Notes	MODEL HEATING CAPACITY BLOWER DESIGNATION VARIATION AIRFLOW	RGTM- ALL ALL ALL ALL			
HORIZONTAL INSTALLATION PARTS						
9		Hose Clamps (4)	64-22043-01			
10		Tube Drain - Single Elbow Molded Hose	79-102882-01			
11		Elbow (Connector/Transition - Trap)	68-24121-01			
12		Trap Assembly	68-24120-02			
13		Trap Gasket	68-24123-01			
14		Hole Plugs (2)	45-24125-01			

No.	Notes	MODEL HEATING CAPACITY BLOWER DESIGNATION VARIATION AIRFLOW	RGTM- ALL ALL ALL ALL
PARTS BAG			
		Complete Parts Bag	AS-100717-03
		Hose Clamp (2)	64-22043-01
11		Elbow	68-24121-01
12		Trap Assembly	68-24120-02
13		Trap Gasket	68-24123-01
14		Hole Plugs (2)	45-24125-01
		1/2 in. Tee	68-21980-02
		1/2 in. PVC Pipe 4 in.	68-22024-04
		PVC Vane	68-23473-01
		PVC Wind Vane	68-24049-01

No.	Notes	MODEL HEATING CAPACITY BLOWER DESIGNATION VARIATION HEAT/COOL DESIGNATION	RGTM- 06E/N M A E	RGTM- 07E/N R B G	RGTM- 09E/N Z A J	RGTM- 10E/N R B J
ELECTRIC GROUP						
3	Stk	Induced Draft Blower w/Gasket	70-100612-03	70-100612-03	70-100612-03	70-100612-03
	Stk	Capacitor - Induced Draft Blower	43-25134-35	43-25134-35	43-25134-35	43-25134-35
18	Stk	Limit - Main Limit (Heat Exchanger Panel)	47-25350-01	47-25350-10	47-25350-04	47-25350-05
26	Stk	Pressure Switch	42-102165-01	42-102165-01	42-102165-01	42-102165-02
39		Door Switch - Push Button	42-22692-02	42-22692-02	42-22692-02	42-22692-02
49a	Stk	Transformer	46-24124-03	46-24124-03	46-24124-03	46-24124-03
49b		Power Factor Choke	N/A	46-24256-02	46-24256-02	46-24256-02
49b	5	Power Factor Choke - Before F1712 (See Note 5)	46-24256-02	N/A	N/A	N/A
	5	Jumper Wire Assembly - After F1712 (See Note 5)	45-104318-01	N/A	N/A	N/A
51		Integrated Furnace Control Board (IFC)	See Gas Controls			
52	Stk	Limit - Heat Assisted (Blower Housing)	47-22860-02	47-22860-02	47-22860-02	47-22860-03
61	Stk	Limit - Manual Reset (Burner Compartment) (2)	47-22861-02	47-22861-02	47-22861-02	47-22861-02
		Twist Lock Wiring Harness - 15 pin to (5 pin/3 pin/6 terminals), 12 wires from 15 pin connector	45-24393-08	45-24393-08	45-24393-08	45-24393-08
		Wiring Harness - 5 pin from blower motor to 2 (2 pin connectors) and 2 terminals	45-102643-01	45-102643-01	45-102643-01	45-102643-01
		Wiring Harness - 2 pin to (1 terminal/1 strip back)	45-24371-37	45-24371-37	45-24371-37	45-24371-37
		Wiring Harness - 16 pin from IFC Board to 16 pin on motor	45-102641-01	45-102641-01	45-102641-01	45-102641-01
		Wiring Harness - 12 pin and 3 pin from IFC Board to 15 pin connector	45-102667-04	45-102667-04	45-102667-04	45-102667-04

No.	Notes	MODEL HEATING CAPACITY BLOWER DESIGNATION VARIATION HEAT/COOL DESIGNATION	RGTM- 06E/N M A E	RGTM- 07E/N R B G	RGTM- 09E/N Z A J	RGTM- 09E/N Z A J
BLOWER GROUP						
44	Stk	Blower Assembly (Includes items 46-48)	AS-67876-51	AS-67876-52	AS-67876-53 (Before F1212) (See Note 4)	AS-67876-69 (After F1212) (See Note 4)
45	Stk	Blower Motor	51-24374-29	51-24375-21	51-24376-27 (Before F1212) (See Note 4)	51-24376-31 (After F1212) (See Note 4)
46	Stk	Belly Band Kit (Includes Brackets, Grommets, Motor Mount and Mounting Screws)	70-24104-82	70-24104-82	70-24104-82	70-24104-82
47		Housing	AS-61674-14	AS-61674-15	AS-61674-15	AS-61674-15
48	Stk	Blower Wheel	70-24254-02	70-23111-20	70-24179-01 (Before F1212) (See Note 4)	70-23111-20 (After F1212) (See Note 4)
49a		Transformer	See Electrical Group			
49b		Choke - Power Factor	See Electrical Group			
50		Control Mounting Plate	AE-67877-01	AE-67877-01	AE-67877-01	AE-67877-01
51		Integrated Furnace Control Board (IFC)	See Gas Controls			
52		Limit - Heat Assisted (Blower Housing)	See Electrical Group			

No.	Notes	MODEL HEATING CAPACITY BLOWER DESIGNATION VARIATION HEAT/COOL DESIGNATION	RGTM- 10E/N R B J			
BLOWER GROUP						
44	Stk	Blower Assembly (Includes items 46-48)	AS-67876-54			
45	Stk	Blower Motor	51-24376-28			
46	Stk	Belly Band Kit (Includes Brackets, Grommets, Motor Mount and Mounting Screws)	70-24104-82			
47		Housing	AS-61674-16			
48	Stk	Blower Wheel	70-23111-20			
49a		Transformer	See Electrical Group			
49b		Choke - Power Factor	See Electrical Group			
50		Control Mounting Plate	AE-67877-01			
51		Integrated Furnace Control Board (IFC)	See Gas Controls			
52		Limit - Heat Assisted (Blower Housing)	See Electrical Group			

No.	Notes	MODEL HEATING CAPACITY BLOWER DESIGNATION VARIATION HEAT/COOL DESIGNATION	RGTM- 06E/N M A E	RGTM- 07E/N R B G	RGTM- 09E/N Z A J	RGTM- 10E/N R B J
HEAT EXCHANGER, BURNER / MANIFOLD						
18		Limit - Main Limit (Heat Exchanger Panel)	See Electrical Group			
19	Stk	Heat Exchanger Assembly	AS-67818-37	AS-67818-38	AS-67818-39	AS-67818-40
		Turbulator	AE-61816-01 (4)	AE-61816-01 (5)	AE-61816-01 (6)	AE-61816-01 (7)
20		Baffle	AE-61875-01	AE-61876-01	AE-61875-01	AE-61876-01
21		Rear Baffle	AE-61878-01	AE-61878-02	AE-61878-02	AE-61878-03
22		Baffle	AE-61875-02	AE-61876-02	AE-61875-02	AE-61876-02
24		Heat Exchanger Bracket	AE-61959-01	AE-61959-01	AE-61959-01	AE-61959-01
23		Heat Exchanger Bracket	AE-67846-02	AE-67846-02	AE-67846-02	AE-67846-02
		NOX Burner Inserts	AE-67863-01 (3)	AE-67863-01 (4)	AE-67863-01 (5)	AE-67863-01 (6)
		NOX Retaining Bracket	AE-67864-01	AE-67864-02	AE-67864-03	AE-67864-04
55	Stk	Burner Assembly	AS-61984-04	AS-61984-05	AS-61984-06	AS-61984-07
56		Burner Support Bracket (2)	AE-61808-03	AE-61808-03	AE-61808-03	AE-61808-03
57a		Burner Support	AE-61809-17	AE-61809-18	AE-61809-19	AE-61809-20
57b		Burner Support Angle	AE-67880-01	AE-67880-02	AE-67880-03	AE-67880-04
58		Burner Shield	AE-61807-07	AE-61807-08	AE-61807-09	AE-61807-10
59	Stk	Manifold (w/o Orifices)	81-24396-02	81-24396-03	81-24396-04	81-24396-05
		Burner Orifice - Natural Gas	See Orifice Selection Chart			
		Burner Orifice - LP	See Orifice Selection Chart			
		Number of Orifices	(4)	(5)	(6)	(7)
61		Limit - Manual Reset (Burner Compartment) (2)	See Electrical Group			

No.	Notes	MODEL GAS CODE	RGTM HQ	RGTM HR		
GAS CONTROLS						
	Stk	Gas Valve - Natural Gas	60-24394-01	60-101921-01		
	Stk,1,2	Gas Valve - LP	See Note 2			
51	Stk	Integrated Furnace Control Board (IFC)	62-103189-01	62-103189-01		
	Stk	Flame Sensor	62-23543-05	62-23543-05		
	Stk	Spark Ignitor	62-24271-02	62-24271-02		
	Stk	LP Conversion Kit	FP-26	FP-31		

90% GAS FURNACE - ORIFICE SELECTION CHART - NATURAL GAS

CAUTION: Selection of the correct Natural Gas Orifice requires the following information for the specific installation:

- 1) Altitude in of the installation (ft.).
- 2) Average energy content of the Natural Gas fuel from the local supplier (BTU/cu. ft.).

For detailed information and instructions for Orifice selection, see the Gas Furnace LP Conversion Kit Index 92-21519-59 and the latest edition of the National Fuel Gas Code Handbook, or the National Standard of Canada, Natural Gas and Propane Installation Code, CAN B149.1.

CAUTION: This information is provided for replacement purposes only. Conversion for operation at High Altitude must be done using the kit specified on the product specification sheet for the unit.

NOTE: This Orifice sizing chart is based on 15,000 BTU/HR per burner.

NOTE: Factory installed orifices are calculated and sized based on a Natural Gas heating value of 1075 BTU/cu. ft. and an elevation of 0 - 2000 ft.

Energy Value (BTU/cu. ft.)	Elevation (ft.)							
	0 - 1999	2000 - 2999	3000 - 3999	4000 - 4999	5000 - 5999	6000 - 6999	7000 - 7999	8000 - 8999
850	62-22175-47	62-22175-48	62-22175-48	62-22175-49	62-22175-49	62-22175-49	62-22175-50	62-22175-50
900	62-22175-48	62-22175-49	62-22175-49	62-22175-49	62-22175-50	62-22175-50	62-22175-50	62-22175-51
975	62-22175-49	62-22175-50	62-22175-50	62-22175-50	62-22175-51	62-22175-51	62-22175-51	62-22175-52
1075	62-22175-50	62-22175-51	62-22175-51	62-22175-51	62-22175-51	62-22175-52	62-22175-52	62-22175-52
1170	62-22175-51	62-22175-51	62-22175-52	62-22175-52	62-22175-52	62-22175-53	62-22175-53	62-22175-53

90% GAS FURNACE - ORIFICE SELECTION CHART - LP

CAUTION: Selection of the correct LP Orifice requires the altitude of the specific installation (ft.).

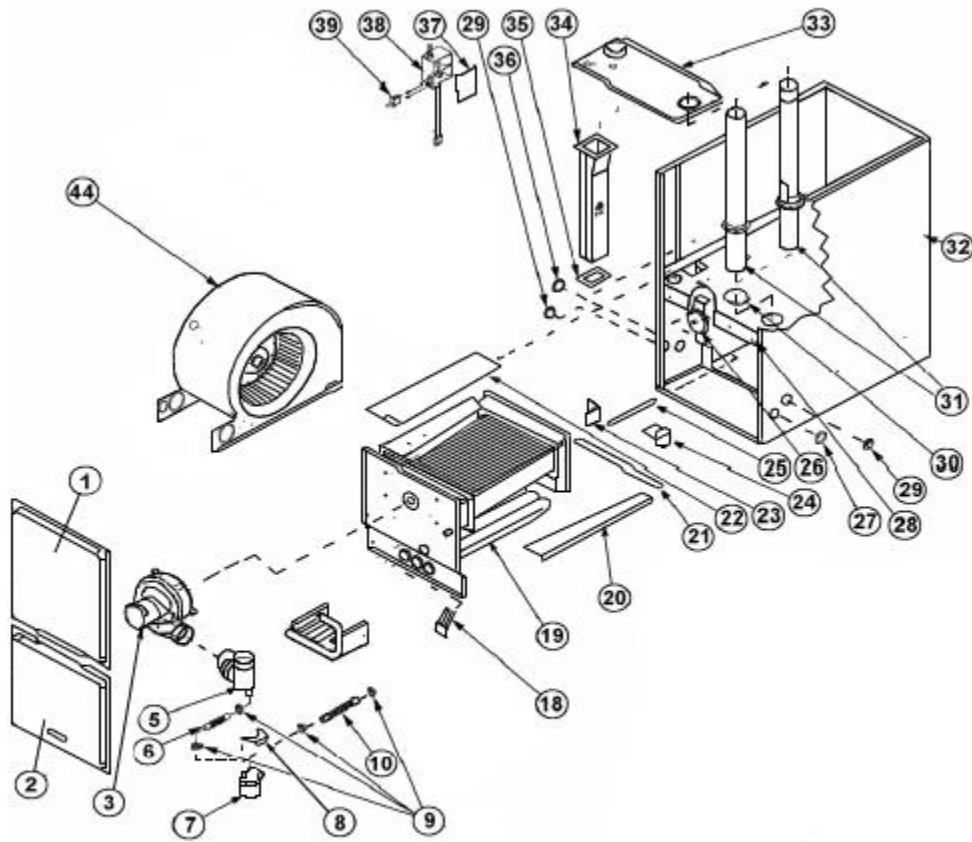
For detailed information and instructions for Orifice selection, see the Gas Furnace LP Conversion Kit Index 92-21519-59 and the latest edition of the National Fuel Gas Code Handbook (NFG), or the National Standard of Canada, Natural Gas and Propane Installation Code, CAN B149.1.

CAUTION: This information is provided for replacement purposes only. Conversion to LP or for operation at High Altitude should be done using the kit(s) specified on the product specification sheet for the unit.

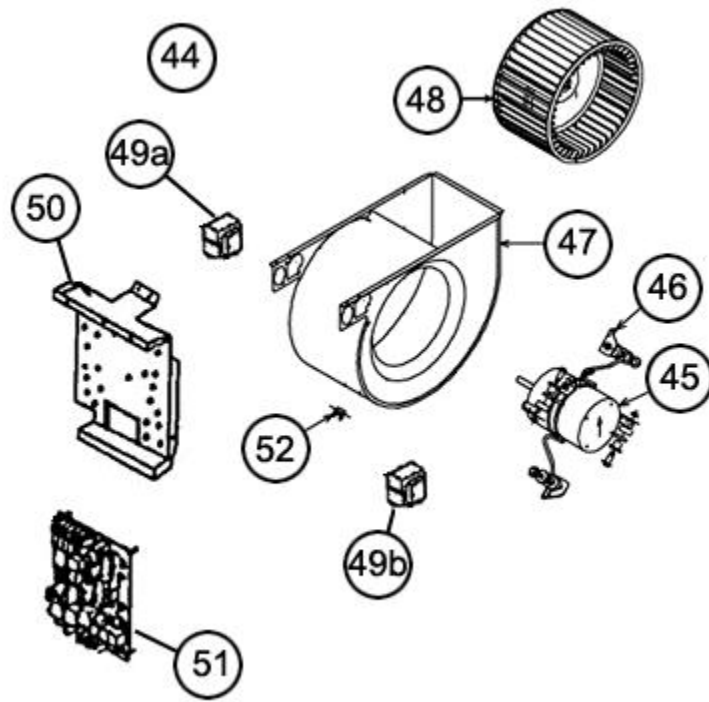
NOTE: This Orifice sizing chart is based on 15,000 BTU/HR per burner. Also, the chart is developed using the specified pressure setting of 10 in. water column instead of the 11.0 in water column used by the NFG and CANB149.1.

NOTE: Orifices supplied in the LP Conversion Kit are calculated and sized based on an altitude of 0 - 2000 ft.

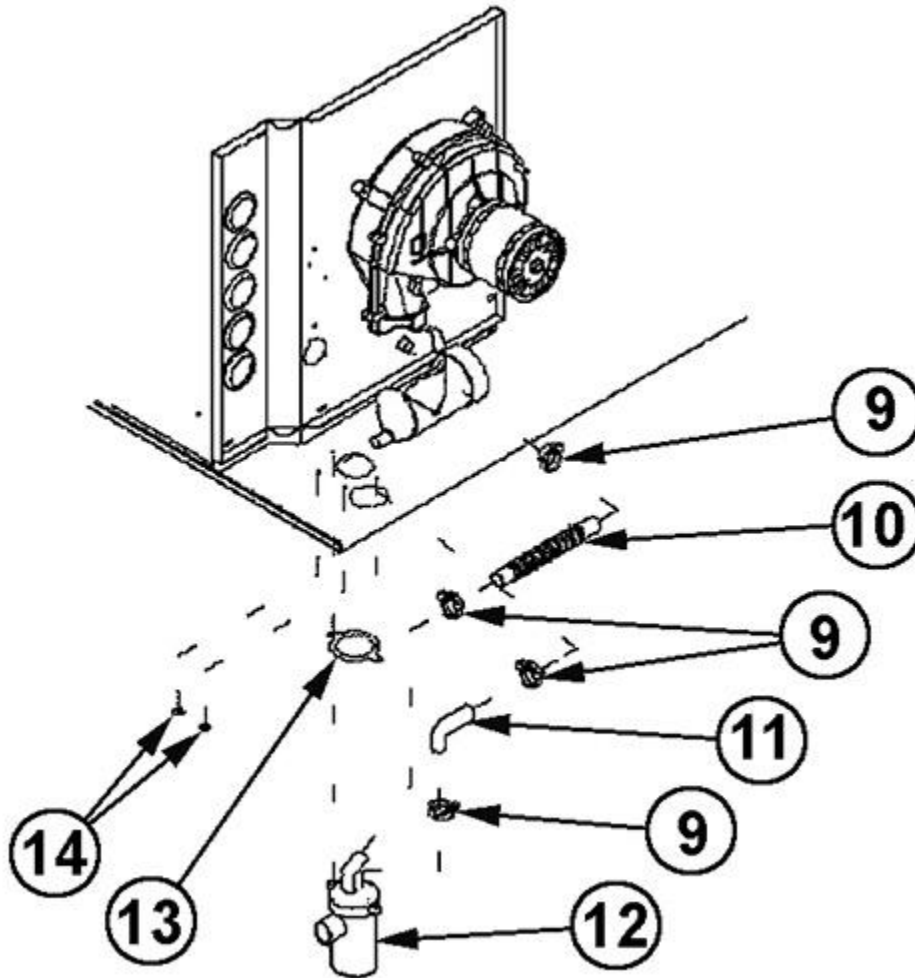
Elevation (ft.)	Orifice							
0 to 2000 ft.	62-22175-91							
2001 to 3000	62-22175-91							
3001 to 4000	62-22175-90							
4001 to 5000	62-22175-58							
5001 to 6000	62-22175-59							
6001 to 7000	62-22175-60							
7001 to 8000	62-22175-62							
8001 to 9000	62-22175-63							
9001 to 1000	62-22175-64							



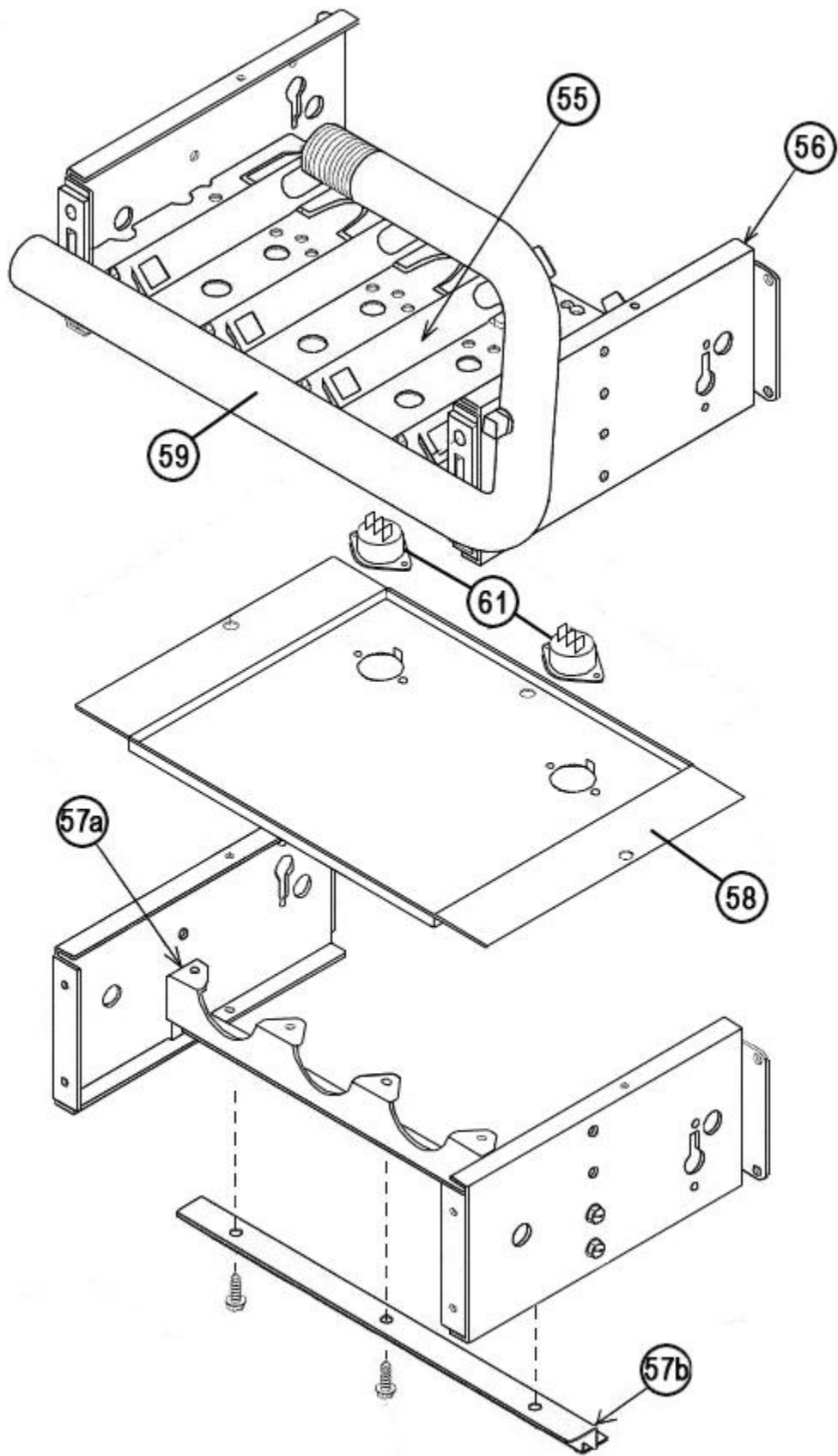
Exploded View



Blower Assembly



Horizontal Installation Parts



Burner Assembly

NOTES

Stk It is recommended that stock be maintained for this part.

N/A Not Applicable

- 1 Order the specified LP Conversion Kit.
- 2 Order Gas Valve for Natural Gas along with LP Conversion Kit.
- 3 Jacket is not available for replacement.
- 4 For -09E/NZAJJS, on or after Date Code 1112, A 11 X 10 inch blower assembly replaced the original 12 X 11 inch blower assembly. This change provides equal blower performance and reduces overall motor noise. Note: This change is not backward compatible, as motor programming was changed to provide the same CFM performance as the original 12 x 11 assembly.
- 5 Replacement of Power Factor Choke is optional on units with 1/2 hp, X-13 and ECM, motors produced before F1712. After approximate date code F1712, production units will be supplied with a Jumper Wire Assembly (45-104318-01) in lieu of a Power Factor Choke. This Jumper Wire Assembly can be retrofitted to units built before Date Code F1712.

DISCLAIMER: This document is intended to provide general replacement parts information to aid qualified service personnel in the repair of these models. The complete Model and Serial Number of the unit under repair should be specified when selecting and ordering replacement parts. Specifications and illustrations are subject to change without notice. Document 92-42800-RGTM supersedes all previous parts lists for these models. See <http://www.rheempartslists.net/92-42800-RGTM> for the latest revision of this document. The manufacturer assumes no obligation for errors or omissions. Service personnel must verify the proper and safe operation of equipment after the replacement of any original components.