



The new degree of comfort.™

## Rheem Classic® Series Downflow/ Horizontal Gas Furnaces

### RGTC- Series

Up to 95% A.F.U.E.†  
Input Rates from 45 to 105 kBTU  
[13.19 to 30.77 kW]



†A.F.U.E. (Annual Fuel Utilization Efficiency) calculated in accordance with Department of Energy test procedures.

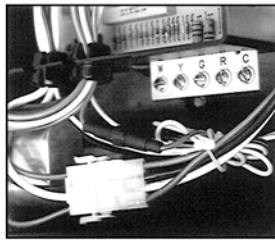


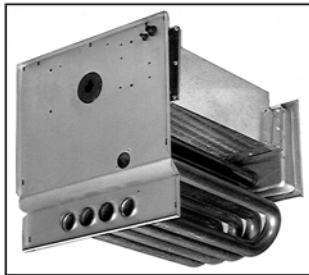
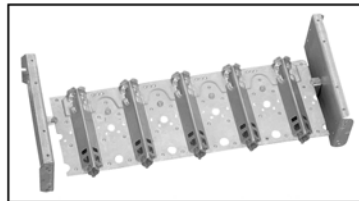
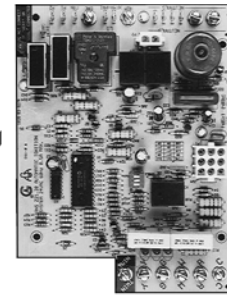
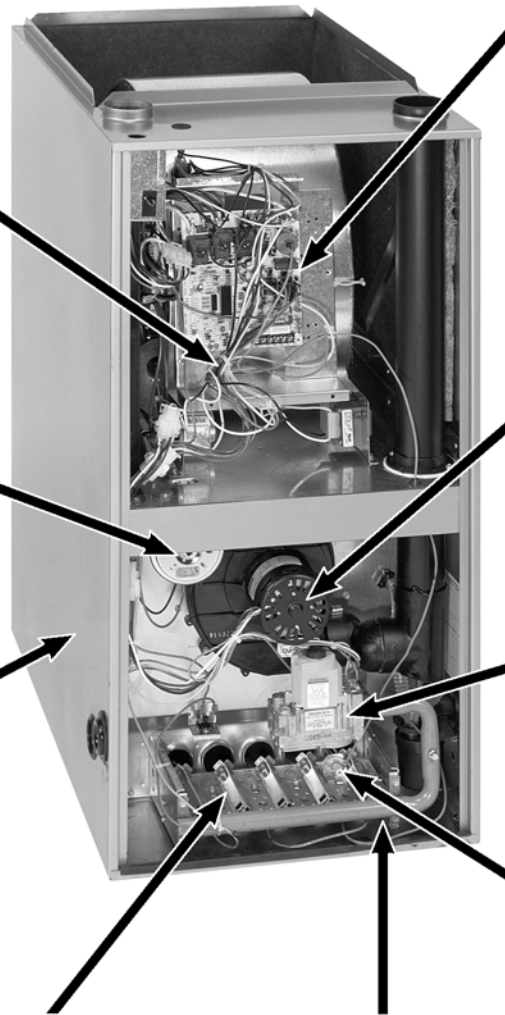
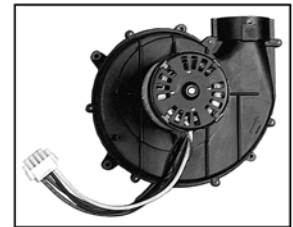
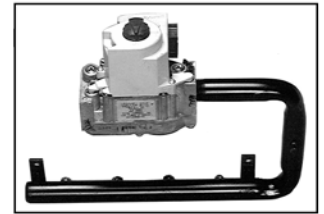
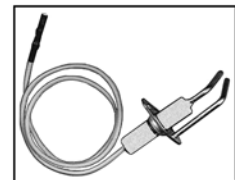
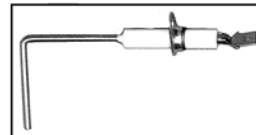
- The Rheem Classic® 90 Plus High Efficiency line of down-flow/horizontal gas furnaces are designed for utility rooms, closets, alcoves, attics or crawl spaces. The RGTC is shipped in the downflow configuration and is easily converted for horizontal left-hand airflow applications. The design is certified by CSA.
- Heat exchanger is constructed of all stainless steel for maximum corrosion resistance and thermal fatigue reliability.
- Low profile “34 inch” design is lighter and easier to handle and leaves room for optional accessories.
- Top electrical connections, left or right gas and condensate drainage connections on downflow models.
- Condensate drain for horizontal application provided standard.
- Integrated control board manages all operational functions and provides hookups for humidifier and electronic air cleaner.
- An insulated blower compartment, a slow-opening gas valve and a specially designed inducer system make it one of the quietest furnaces on the market today.
- Pre-paint galvanized steel cabinet.
- Molded permanent filters.
- Optional indoor or outdoor combustion air.
- Transformer and control fuse protection.
- Control board diagnostics.
- A variety of cooling coils and plenums designed to use with the Classic® 90 Plus gas furnaces are available as optional accessories for air conditioning models.



## TABLE OF CONTENTS

Standard & Optional Equipment .....	3
Physical Data & Specifications .....	4
Model Number Identification .....	5
Dimensional Data .....	6-7
Blower Performance Data .....	8
Accessories .....	9
Limited Warranty .....	10


**FUSE PROTECTION**

**PRESSURE SWITCH**

**PRIMARY AND SECONDARY HEAT EXCHANGER**

**IN-SHOT BURNERS**

**INTEGRATED FURNACE CONTROL**

**DRAFT INDUCER**

**GAS VALVE AND MANIFOLD**

**DIRECT SPARK IGNITION**

**REMOTE SENSOR**

## STANDARD EQUIPMENT

Completely assembled and wired; heat exchanger; primary: 409 and aluminized 409 stainless steel, secondary: 29-4C stainless steel; induced draft; pressure switch; redundant main gas control; blower compartment door safety switch; solid state time on/off blower control; limit controls; manual shut-off valve; 100% safety lock out; cool fan off delay; field selectable heat fan off delay; one hour automatic retry; power and self-test diagnostics; flame sense current diagnostics; electronic air cleaner connections; twinning (built-in) features; humidifier connections; humidifier on/off delay; low speed continuous fan option; single speed option for heating and cooling applications; transformer; direct drive, multi-speed blower motor. (Please note: a thermostat is not included as standard equipment.)

## OPTIONAL EQUIPMENT

NOTE: Furnace is not listed for use with fuels other than natural or L.P. (propane) gas.

All models can be converted by a qualified distributor or local service dealer to use L.P. (propane) gas without changing burners. Factory approved kits must be used to convert from natural to L.P. (propane) gas and may be ordered as optional accessories from a parts distributor.

For L.P. (propane) operation, refer to Conversion Kit Index Form.

**WARNING**  
 THIS FURNACE IS NOT APPROVED  
 OR RECOMMENDED  
 FOR USE IN MOBILE HOMES



# Physical Data and Specifications—Downflow/Horizontal Models

## U.S. and Canadian Models

MODEL NUMBERS	RGTC-04EMAES	RGTC-06EMAES	RGTC-07ERBGS	RGTC-09EZAJS	RGTC-10ERBJS
INPUT-BTU/HR [kW] ①	45,000 [13.19]	60,000 [17.58]	75,000 [21.98]	90,000 [26.38]	105,000 [30.77]
HEATING CAPACITY BTU/HR [kW]	43,000 [12.61]	58,000 [16.99]	72,500 [21.25]	87,000 [25.50]	101,500 [29.75]
HIGH ALTITUDE INPUT [kW] ②	40,500 [11.87]	54,000 [15.83]	67,500 [19.78]	81,000 [23.74]	94,500 [27.70]
HIGH ALTITUDE OUTPUT CAPACITY [kW] ②	37,000 [10.84]	50,400 [14.77]	63,000 [18.46]	75,000 [21.98]	87,500 [25.64]
BLOWER (D x W) [mm]	11 x 7 [279 x 178]	11 x 7 [279 x 178]	11 x 10 [279 x 254]	12 x 11 [305 x 279]	11 x 10 [279 x 254]
MOTOR H.P. [W] SPEEDS-TYPE	1/2 [373]-4-PSC	1/2 [373]-4-PSC	1/2 [373]-4-PSC	3/4 [559]-4-PSC	3/4 [559]-4-PSC
MOTOR FULL LOAD AMPS	6.8	6.8	6.8	9.5	9.5
HEATING SPEED	MED-LOW	MED-HI	MED-HI	MED-HI	MED-HI
COOLING SPEED	HIGH	HIGH	HIGH	HIGH	HIGH
HEAT EXT. STATIC PRESSURE (IN. W.C.) [kPa]	.10 [.025]	.12 [.029]	.12 [.029]	.15 [.037]	.20 [.049]
RATED EXT. STATIC PRESSURE (IN. W.C.) [kPa]	.50 [.124]	.50 [.124]	.50 [.124]	.50 [.124]	.50 [.124]
HEATING CFM @ .2" W.C. E.S.P. [L/s]	866 [409]	1122 [530]	1516 [716]	1698 [802]	1812 [856]
COOLING CFM @ .5" W.C. E.S.P. [L/s]	1220 [576]	1242 [586]	1559 [736]	1850 [873]	1977 [934]
TEMPERATURE RISE RANGE °F [°C]	30-60 [16.7-33.3]	30-60 [16.7-33.3]	30-60 [16.7-33.3]	30-60 [16.7-33.3]	35-65 [19.4-36.1]
STANDARD FILTER [mm]	(2) 12" x 20" [305 x 508]	(2) 12" x 20" [305 x 508]	(2) 12" x 20" [305 x 508]	(2) 12" x 20" [305 x 508]	(2) 14" x 20" [356 x 508]
APPROX. SHIPPING WEIGHT (LBS.) [kg]	123	126	137	148	160
AFUE ③	95.0%	95.0%	95.0%	95.0%	95.0%

NOTES: All models are 115V, 60HZ, 1Ø. Gas connection size for all models is 1/2" [13 mm] N.P.T.

① See Conversion Kit Index Form for high altitude derate.

② Canadian installations only.

③ In accordance with D.O.E. test procedures.

[ ] Designates Metric Conversions



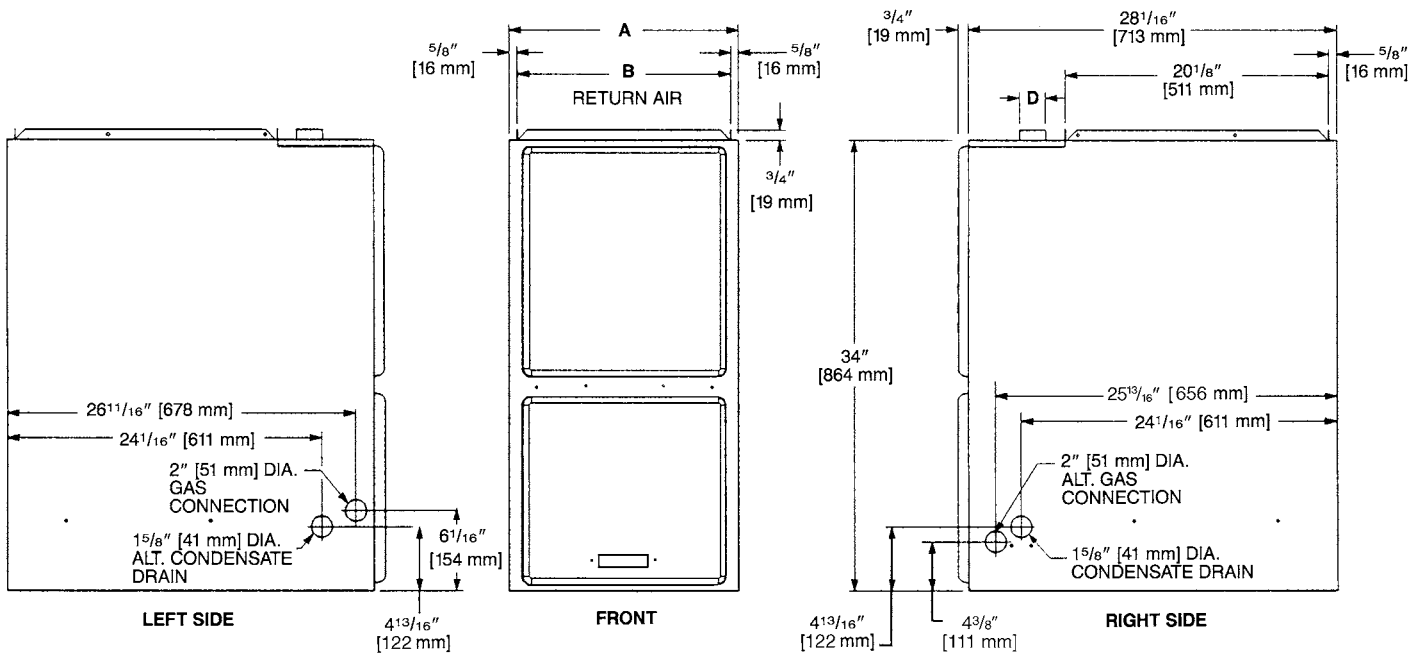
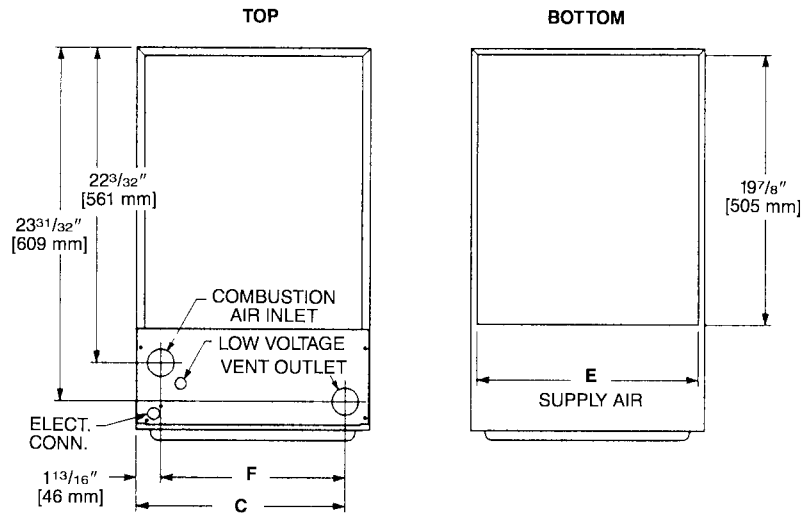


# Model Number Identification

<b>R</b>	<b>G</b>	<b>T</b>	<b>C</b>	<b>—</b>	<b>06E</b>	<b>M</b>	<b>A</b>	<b>E</b>	<b>S</b>
Rheem	Gas Furnace	Downflow/ Horizontal Condensing Gas Furnace	Design Series		Heating Input Designation	Blower Size	Variations	Heat/Cool Designation	Fuel Code
					Electric Ignition	<b>M</b> = 11 x 7 [279 x 178 mm]	<b>A</b> = Std. <b>B</b> = Wide Cabinet	<b>E</b> = 1100-1300 CFM [519-613.5 L/s] <b>G</b> = 1500-1700 CFM [707.9-802.3 L/s] <b>J</b> = 1900-2100 CFM [896.7-991.1 L/s]	<b>S</b> = U.S. and Canadian Natural Gas
					Input BTU/HR	<b>R</b> = 11 x 10 [279 x 254 mm] <b>Z</b> = 12 x 11 [305 x 279 mm]			
					04E 45,000 [13 kW]				
					06E 60,000 [17.6 kW]				
					07E 75,000 [20.5 kW]				
					09E 90,000 [26.4 kW]				
					10E 105,000 [30.7 kW]				

[ ] Designates Metric Conversions

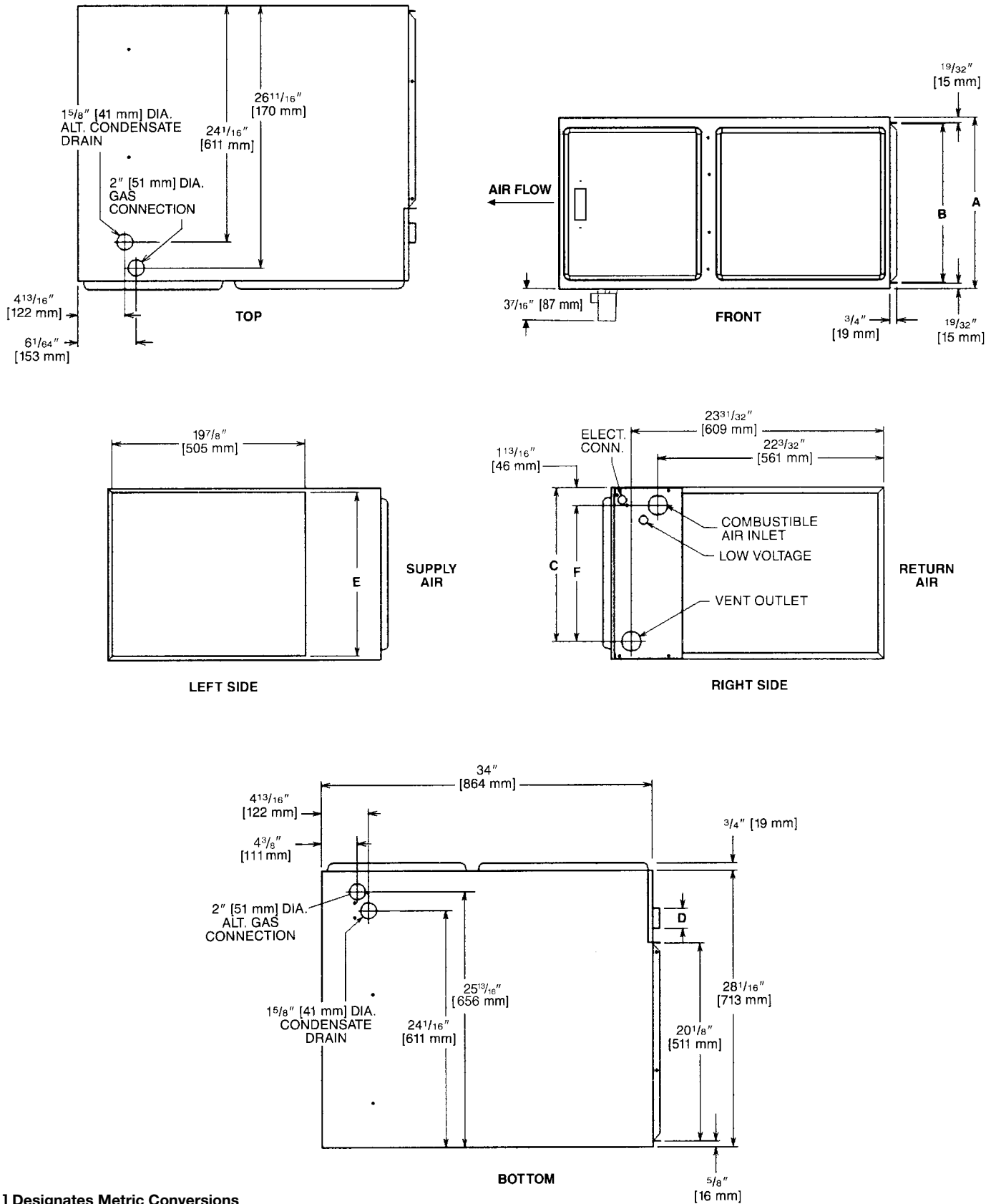




MODEL RGTC-	A	B	C	D	E	F	LEFT SIDE	MINIMUM CLEARANCE (IN.) [mm]					SHIP WGTS. [kg]
								RIGHT SIDE	BACK	TOP	FRONT	VENT	
04	17 1/2 [445]	16 11/32 [415]	15 5/8 [397]	2 [51]	16 5/8 [422]	13 7/8 [352]	0	0	0	1 [25]	2 [51]	0	123 [56]
06	17 1/2 [445]	16 11/32 [415]	15 5/8 [397]	2 [51]	16 5/8 [422]	13 7/8 [352]	0	0	0	1 [25]	2 [51]	0	126 [57]
07	21 [533]	19 27/32 [504]	19 3/16 [486]	2 [51]	20 1/8 [511]	17 3/8 [441]	0	0	0	1 [25]	2 [51]	0	137 [62]
09	21 [533]	19 27/32 [504]	19 3/16 [486]	2 [51]	20 1/8 [511]	17 3/8 [441]	0	0	0	1 [25]	2 [51]	0	148 [67]
10	24 1/2 [622]	23 11/32 [593]	22 5/8 [575]	2 [51]	23 5/8 [600]	20 7/8 [530]	0	0	0	1 [25]	2 [51]	0	160 [73]

[ ] Designates Metric Conversions

**IMPORTANT NOTE:** Horizontal furnace may be installed for horizontal left hand air supply **ONLY**. The condensate trap provided for horizontal application must be installed in the field beneath the unit as directed in the furnace Installation & Operating Instructions.



[ ] Designates Metric Conversions

**IMPORTANT NOTE:** Horizontal furnace may be installed for horizontal left hand air supply ONLY. The condensate trap provided for horizontal application must be installed in the field beneath the unit as directed in the furnace installation & Operating Instructions.

MODEL RGTC-	BLOWER SIZE IN. [mm]	MOTOR H.P. [W]	BLOWER SPEED	CFM [L/s] AIR DELIVERY EXTERNAL STATIC PRESSURE INCHES WATER COLUMN [kPa]						
				0.1 [.02]	0.2 [.05]	0.3 [.07]	0.4 [.10]	0.5 [.12]	0.6 [.15]	0.7 [.17]
				04	11 x 7 [279 x 178]	1/2 [373]	LOW <b>MED-LO</b> MED-HI HIGH	794 [375] <b>890 [420]</b> 1110 [524] 1383 [653]	765 [361] <b>866 [409]</b> 1084 [512] 1350 [638]	735 [347] <b>842 [398]</b> 1057 [499] 1317 [622]
06	11 x 7 [279 x 178]	1/2 [373]	<b>LOW*</b> MED-LO <b>MED-HI</b> HIGH	816 [385] 924 [436] <b>1164 [550]</b> 1409 [665]	792 [374] 895 [423] <b>1122 [530]</b> 1367 [646]	767 [362] 866 [409] <b>1080 [510]</b> 1325 [626]	739 [349] 832 [393] <b>1044 [493]</b> 1284 [606]	711 [336] 798 [377] <b>1008 [476]</b> 1242 [586]	686 [324] 754 [356] <b>966 [456]</b> 1195 [564]	661 [312] 710 [335] <b>923 [436]</b> 1148 [542]
07	11 x 10 [279 x 254]	1/2 [373]	<b>LOW*</b> MED-LO <b>MED-HI</b> HIGH	1126 [532] 1338 [632] <b>1555 [734]</b> 1743 [823]	1097 [518] 1309 [618] <b>1516 [716]</b> 1696 [801]	1068 [504] 1280 [604] <b>1477 [698]</b> 1649 [779]	1036 [489] 1253 [592] <b>1440 [680]</b> 1604 [757]	1003 [473] 1225 [579] <b>1402 [662]</b> 1559 [736]	963 [455] 1185 [560] <b>1349 [637]</b> 1501 [709]	923 [436] 1145 [541] <b>1295 [612]</b> 1442 [681]
09	12 x 11 [305 x 279]	3/4 [559]	<b>LOW*</b> MED-LO <b>MED-HI</b> HIGH	1213 [573] 1504 [710] <b>1734 [819]</b> 2111 [997]	1196 [565] 1474 [696] <b>1698 [802]</b> 2059 [972]	1179 [557] 1443 [681] <b>1662 [785]</b> 2007 [948]	1158 [547] 1415 [668] <b>1621 [766]</b> 1946 [919]	1136 [536] 1387 [655] <b>1579 [746]</b> 1885 [890]	1108 [523] 1348 [637] <b>1526 [721]</b> 1821 [860]	1079 [510] 1308 [618] <b>1472 [695]</b> 1756 [829]
10	11 x 10 [279 x 254]	3/4 [559]	<b>LOW*</b> MED-LO <b>MED-HI</b> HIGH	1324 [625] 1617 [764] <b>1842 [870]</b> 2204 [1041]	1309 [618] 1505 [753] <b>1812 [856]</b> 2153 [1017]	1294 [611] 1573 [743] <b>1781 [841]</b> 2102 [993]	1272 [601] 1533 [724] <b>1728 [816]</b> 2040 [963]	1250 [590] 1493 [705] <b>1674 [791]</b> 1977 [934]	1221 [577] 1448 [684] <b>1619 [765]</b> 1905 [900]	1191 [562] 1402 [662] <b>1564 [739]</b> 1833 [866]

NOTE: Recommended heating blower speeds are in bold.

\*Not allowed for heating speed tap.

NOTE: CFM values represent furnace-only airflow ratings.

[ ] Designates Metric Conversions



## VENT TERMINATION KITS CONCENTRIC: HORIZONTAL/ VERTICAL =

**RXGY-E03A** (US & Canadian Installations)

**HORIZONTAL TWO PIPE:** RXGY-D02, RXGY-D03, RXGY-D04  
(US Installations)

**RXGY-D02A, RXGY-D03A, RXGY-D04A** (Canadian Installations)

**RXGY-G02** (US Only)

**CONDENSATE PUMP KIT:** RXGY-B01

**NEUTRALIZER KIT:** RXGY-A01

**COMBUSTIBLE FLOOR BASE:** RXGC-B17  
RXGC-B21  
RXGC-B24

**EXTERNAL FILTER RACK:** RXGF-CC

FILTER RACK FILTER SIZES* INCHES [mm]	
MODEL RGTC-	RXGF-CC
04	(2) 12 x 20 [305 x 508]
06	(2) 12 x 20 [305 x 508]
07	(2) 12 x 20 [305 x 508]
09	(2) 12 x 20 [305 x 508]
10	(2) 14 x 20 [356 x 508]

\*Filter racks are shipped without filters.

Filters shipped with furnace may be used or a suitable 1" [25.4 mm] filter.

[ ] Designates Metric Conversions

## PLENUM DATA FOR "A" COILS

Plenum adapters are required in some instances for use on downflow applications when plenum and furnace size do not match.

FURNACE WIDTH IN. [mm]	PLENUM WIDTH IN. [mm]	PLENUM ADAPTER DOWNFLOW	COIL PLENUM
17 1/2 [445]	16 1/4 [413]	RXAA-C186	RXAL-B16BU
17 1/2 [445]	20 1/4 [514]	RXAA-C173	RXAL-B20BU
17 1/2 [445]	21 5/8 [549]	RXAA-C187	RXAL-B21BU
17 1/2 [445]	25 1/4 [641]	RXAA-C174	RXAL-B25BU
21 [533]	25 1/4 [641]	RXAA-C175	RXAL-B25BU
21 [533]	22 1/4 [565]	RXAA-C176	RXAL-B22BU
21 [533]	21 5/8 [549]	RXAA-C188	RXAL-B21BU
24 1/2 [622]	25 1/4 [641]	RXAA-C177	RXAL-B25BU
24 1/2 [622]	21 5/8 [549]	RXAA-C187	RXAL-B21BU

**FOSSIL FUEL KIT:** RXPFF-F01 RXPFF-F02 (TVA)

## FOR HIGH ALTITUDES

**NOTE:** For Canadian installations only, an optional derate (manifold gas pressure reduction) method may be used to adjust the furnace for altitude. See Installation Instructions for more information. This optional method may **NOT** be used for U.S. installations.

## FOR LEFT SIDE (ALTERNATE) CONDENSATE DRAIN KIT: RXGY-H01 (All Models)

## GENERAL TERMS OF LIMITED WARRANTY\*

Rheem will furnish a replacement for any part of this product which fails in normal use and service within the applicable period stated, in accordance with the terms of the limited warranty.

**\*For complete details of the Limited and Conditional Warranties, including applicable terms and conditions, contact your local contractor or the Manufacturer for a copy of the product warranty certificate.**

Conditional Parts (Registration Required) .....	Ten (10) Years
Heat Exchanger .....	Limited Lifetime





The new degree of comfort.™

*In keeping with its policy of continuous progress and product improvement, Rheem reserves the right to make changes without notice.*

Rheem Heating, Cooling & Water Heating • P.O. Box 17010  
Fort Smith, Arkansas 72917 • [www.rheem.com](http://www.rheem.com)

Rheem Canada Ltd./Ltée • 125 Edgeware Road, Unit 1  
Brampton, Ontario • L6Y 0P5



INTEGRATED HOME COMFORT

PRINTED IN U.S.A 03/12 QG FORM NO. G11-526