

[]GTA

Parts List

Downflow/Horizontal Furnace
Series A Sizes 04-12



TABLE OF CONTENTS

Notes	Page 2
Model Number Explanation	Page 3
Serial Number Explanation	Page 3
Exploded View	Page 4
Parts	Page 5
Burner	Page 6
Gas Controls	Page 7

ORDERING, STOCKING AND NOTE EXPLANATIONS

Ordering Instructions:

When ordering a replacement part, be sure to read all notes and symbol notations on the parts list. In some cases, it is necessary to determine the unit style number and/or serial number in addition to the model number before selecting a replacement part. When ordering painted cabinet parts, the order **must specify** unit model number, serial number, and paint color. Also, your order can be processed more rapidly if you show the part number and description. Once the product is out of current production, price and availability will vary.

Replacement Parts Stocking Information:

As a general rule, most parts are in stock or have a short order period as long as the product is in current production. Once the product is out of current production price and availability will vary.

Note Explanation:

np = This part is not shown in exploded view. [no picture]
dna = Does not apply

MODEL NUMBER EXPLANATION

[]	G	T	A	-	0	4	E	M	A	E	S	
(1)	(2)	(3)	(4)		(5)		(6)	(7)	(8)	(9)		

(1) TRADEBRAND IDENTIFICATION

(2) MODEL

G = GAS FURNACE

(3) TYPE

T = Downflow/Horizontal Condensing

(4) DESIGN SERIES

(5) HEATING INPUT DESIGNATION

<u>Electric Ignition</u>	NOX	=	<u>Input BTU/HR</u>
04E	04N	=	45,000
06E	06N	=	60,000
07E	07N	=	75,000
09E	09N	=	90,000
10E	10N	=	105,000
12E	12N	=	120,000

(6) BLOWER DESIGNATION

M = 11 x 7

R = 11 x 10

Y = 12 x 7

Z = 12 x 11

(7) VARIATIONS

A = Standard

B = Wide Cabinet

(8) HEATING & COOLING DESIGNATION

E = 1100-1300 CFM

G = 1500-1700 CFM

J = 1900 - 2100 CFM

(9) FUEL DESIGNATION

B = Canadian Furnace - Natural Gas

S = U.S. Furnace - Natural Gas

SERIAL NUMBER EXPLANATION

D	G	5	D	7	0	7	F	3	1	9	5	9	9	9	9
(1)	(2)	(3)	(4)	(5)	(6)	(7)	(8)	(9)				(10)			

(1) TYPE OF GAS CONTROL USED ON UNIT

DG = W/R 36E37-214 w/UTEC 1012-920 w/Remote Sensor

DH = W/R 36E37-214 w/HW S9201 E-2001 w/Remote Sensor

DC = HW 8205H w/HW S9201 E-2001 w/Remote Sensor

DF = HW 8205H w/UTEC 1012-920 w/Remote Sensor

EH = HW 8205H w/JCI G961DAJ-2401 w/Remote Sensor & PSE Spark Ignitor

EJ = HW 8205H w/UTEC 1028-927 w/Remote Sensor & PSE Spark Ignitor

EK = WR 36E27-214 w/JCI 6961 DAJ-2401 w/Remote Sensor & PSE Spk Igntr

EL = WR 36E27-214 w/UTEC 1028-927 w/Remote Sensor & PSE Spark Ignitor

(2) LIMIT CONTROL

1 = WATSCO LIMIT CONTROL.

5 = T.O.D. LIMIT CONTROL.

(3) BLOWER

D = Direct Drive

(4) HEATING ELEMENT

7 = Stainless Steel

(5) SPECIAL AREA REQUIREMENT

0 = No Area Requirement

(6) MOTOR HORSEPOWER

2 = 1/2 HP Motor

7 = 3/4 HP Motor

(7) PLANT

F = Fort Smith, AR

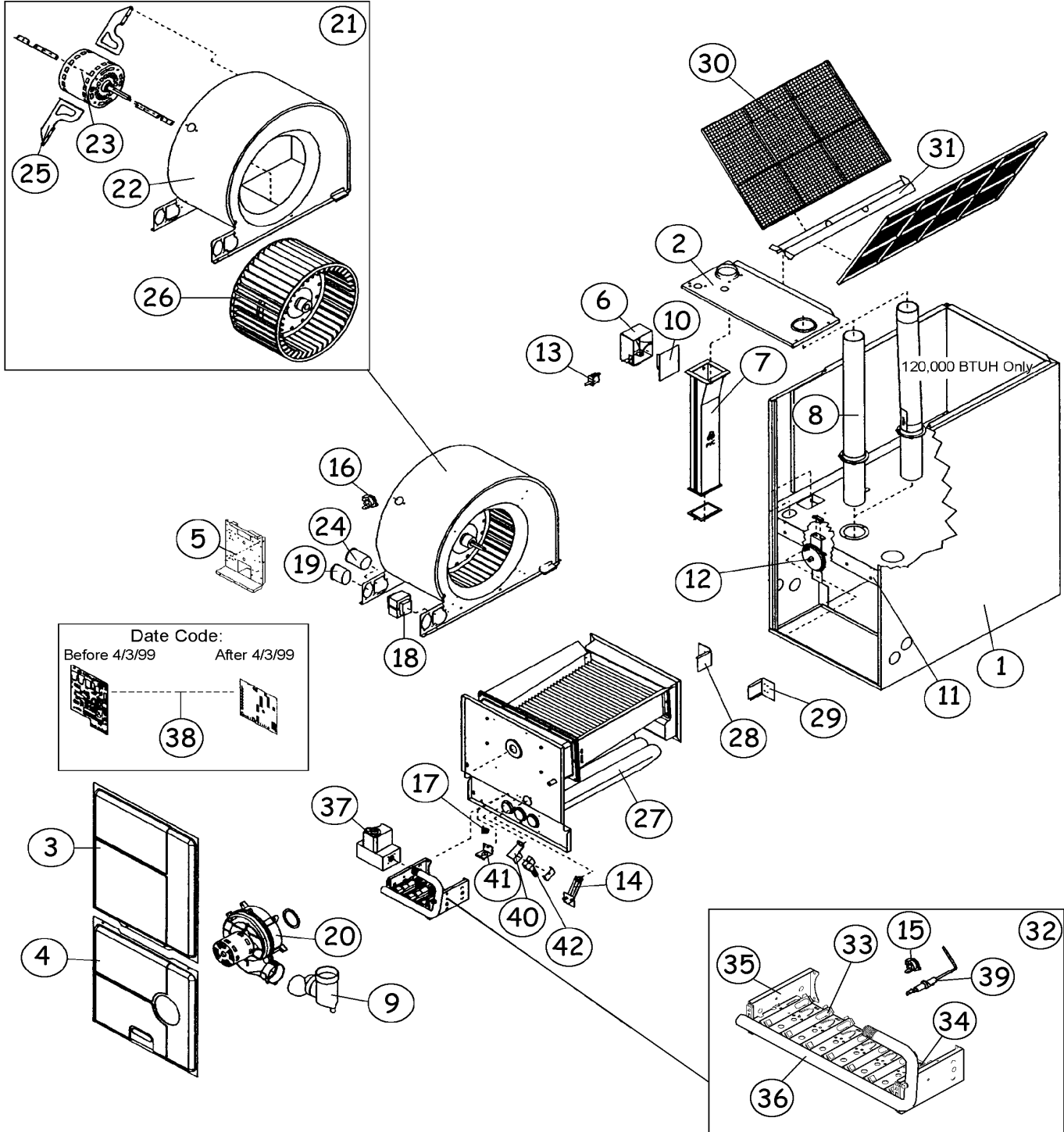
(8) WEEK

(9) YEAR

(10) PRODUCTION NUMBER:

Starts with 00001 and runs through 99999.

EXPLODED VIEW



NO.	MODEL HEATING CAPACITY BLOWER DESIGNATION VARIATION HEAT/COOL DESIGNATION	[-]GTA 04 M A E	[-]GTA 06 M A E	[-]GTA 07 M A E	[-]GTA 07 Y B G	[-]GTA 09 Z A J	[-]GTA 10 Z A J	[-]GTA 12 R A J
PANELS & SHEET METAL PARTS								
1	JACKET	AS-67824-08	AS-67824-08	AS-67824-08	AS-67824-10	AS-67824-09	AS-67824-09	AS-67824-11
2	TOP PLATE	AE-67805-02	AE-67805-02	AE-67805-02	AE-67805-03	AE-67805-03	AE-67805-03	AE-67805-04
3	BLOWER/FILTER DOOR	AS-61908-03	AS-61908-03	AS-61908-03	AS-61909-03	AS-61909-03	AS-61909-03	AS-61910-03
4	BURNER DOOR	AS-61905-01	AS-61905-01	AS-61905-01	AS-61906-01	AS-61906-01	AS-61906-01	AS-61907-01
np	PLUG BUTTON	45-22980-02	45-22980-02	45-22980-02	45-22980-02	45-22980-02	45-22980-02	45-22980-02
5	MOUNTING CONTROL PLATE	AE-67877-01	AE-67877-01	AE-67877-01	AE-67877-01	AE-67877-01	AE-67877-01	AE-67877-01
6	JUNCTION BOX	AE-67825-01	AE-67825-01	AE-67825-01	AE-67825-01	AE-67825-01	AE-67825-01	AE-67825-01
7	INLET AIR CHASE ASSEMBLY	AS-67848-01	AS-67848-01	AS-67848-01	AS-67848-01	AS-67848-01	AS-67848-01	AS-67848-01
8	PIPE ASSEMBLY	68-24150-01	68-24150-01	68-24150-01	68-24150-01	68-24150-01	68-24150-01	68-24150-02
np	ROLLOUT SWITCH BRKT	AE-61600-02	AE-61600-02	AE-61600-02	AE-61600-02	AE-61600-02	AE-61600-02	AE-61600-02
np	PVC VANE	68-23473-01	68-23473-01	68-23473-01	68-23473-01	68-23473-01	68-23473-01	68-23473-01
np	PVC WIND VANE (2 1/2")	68-24049-01	68-24049-01	68-24049-01	68-24049-01	68-24049-01	68-24049-01	68-24049-01
np	WATER TRAP MOUNT BRKT	AE-61841-01	AE-61841-01	AE-61841-01	AE-61841-01	AE-61841-01	AE-61841-01	AE-61841-01
9	CONNECTOR/TRANSITION	68-24047-10	68-24047-10	68-24047-10	68-24047-11	68-24047-11	68-24047-11	68-24047-12
10	JUNCTION BOX COVER	AE-61476-02	AE-61476-02	AE-61476-02	AE-61476-02	AE-61476-02	AE-61476-02	AE-61476-02
11	DOOR ANGLE	AS-67847-01	AS-67847-01	AS-67847-01	AS-67847-02	AS-67847-02	AS-67847-02	AS-67847-03
ELECTRIC GROUP								
12	PRESSURE SWITCH	42-24012-01	42-24012-05	42-24012-01	42-24012-01	42-24012-05	42-24012-04	42-24012-03
13	DOOR SWITCH - Push Button	42-22692-02	42-22692-02	42-22692-02	42-22692-02	42-22692-02	42-22692-02	42-22692-02
14	LIMIT CONTROL	47-25350-09	47-25350-07	47-25350-01	47-25350-09	47-25350-10	47-25350-06	47-25350-06
15	LIMIT CONTROL (exposed)	47-22861-02	47-22861-02	47-22861-01	47-22861-01	47-22861-01	47-22861-01	47-22861-01
16	LIMIT CONTROL w/Heater	47-22860-02	47-22860-02	47-22860-01	47-22860-02	47-22860-02	47-22860-05	47-22860-03
17	LIMIT CONTROL	47-22861-01	47-22861-01	47-22861-01	47-22861-01	47-22861-01	47-22861-01	47-22861-01
18	TRANSFORMER w/fuse	46-24124-03	46-24124-03	46-24124-03	46-24124-03	46-24124-03	46-24124-03	46-24124-03
19	CAPACITOR	43-20847-44	43-20847-44	43-20847-44	43-20847-44	43-20847-44	43-20847-44	43-20847-44
20	INDUCER MOTOR	70-24033-01	70-24033-01	70-24033-01	70-24033-01	70-24033-01	70-24033-01	70-24033-01
BLOWER GROUP								
21	BLOWER ASSEMBLY	AS-61697-38	AS-61697-38	AS-61697-38	AS-61697-39	AS-61697-40	AS-61697-40	AS-61697-41
22	HOUSING	AS-61674-14	AS-61674-14	AS-61674-14	AS-61674-14	AS-61674-15	AS-61674-15	AS-61674-16
23	MOTOR	51-24042-01	51-24042-01	51-24042-01	51-26192-01	51-26192-01	51-26192-01	51-26192-01
24	CAPACITOR	43-21298-42	43-21298-42	43-21298-42	43-21298-43	43-21298-43	43-21298-43	43-21298-43
25	MOTOR MOUNT LEG (4)	AE-61698-02	AE-61698-02	AE-61698-02	AE-61698-02	AE-61698-02	AE-61698-02	AE-61698-02
26	WHEEL	70-22688-01	70-22688-01	70-22688-01	70-24119-01	70-24041-01	70-24041-01	70-20602-01
HEAT EXCHANGER GROUP								
27	HEAT EXCHANGER	AS-67834-08	AS-67834-09	AS-67834-10	AS-67834-12	AS-67834-11	AS-67834-13	AS-67834-14
28	HEAT EXCHANGER BRKT	AE-61959-01	AE-61959-01	AE-61959-01	AE-61959-01	AE-61959-01	AE-61959-01	AE-61959-01
29	HEAT EXCHANGER BRKT	AE-67846-02	AE-67846-02	AE-67846-02	AE-67846-02	AE-67846-02	AE-67846-02	AE-67846-02
FILTER GROUP								
30	FILTER - PLASTIC	54-22699-01	54-22699-01	54-22699-01	54-22699-01	54-22699-01	54-22699-01	54-22699-02
31	FILTER RACK	AE-66681-01	AE-66681-01	AE-66681-01	AE-66681-01	AE-66681-01	AE-66681-01	AE-66681-01

NO.	MODEL HEATING CAPACITY BLOWER DESIGNATION VARIATION HEAT/COOL DESIGNATION	[-]GTA 04 M A E	[-]GTA 06 M A E	[-]GTA 07 M A E	[-]GTA 07 Y B G	[-]GTA 09 Z A J	[-]GTA 10 Z A J	[-]GTA 12 R A J
BURNER / MANIFOLD GROUP [BEFORE 5/1/99]								
33	BURNERS	75-24001-01 (3)	75-24001-01 (4)	75-24001-01 (5)	75-24001-01 (5)	75-24001-01 (6)	75-24001-01 (7)	75-24001-01 (8)
34	BURNER SUPPORT	AE-61809-01	AE-61809-02	AE-61809-03	AE-61809-03	AE-61809-04	AE-61809-05	AE-61809-06
35	BURNER SUPPORT BRKT	AE-61808-01	AE-61808-01	AE-61808-01	AE-61808-01	AE-61808-01	AE-61808-01	AE-61808-01
36	MANIFOLD w/o ORIFICE	AS-67814-01	AS-67814-02	AS-67814-03	AS-67814-03	AS-67814-04	AS-67814-05	AS-67814-06
np	BURNER ORIFICE (Natural) listed below:							
	U.S. MODELS 0-7999' & CANADIAN MODELS 0-1999' ELEVATION	62-22175-50	62-22175-50	62-22175-50	62-22175-50	62-22175-50	62-22175-50	62-22175-50
	CANADIAN MODELS 2000-4500+	62-22175-51	62-22175-51	62-22175-51	62-22175-51	62-22175-51	62-22175-51	62-22175-51
np	LP CONVERSION KITS listed below:							
	U.S. MODELS 0-7999' Only	FP-02	FP-02	FP-02	FP-02	FP-02	FP-02	FP-02
	U.S. MODELS 8000' & Above Only	FP-03	FP-03	FP-03	FP-03	FP-03	FP-03	FP-03
	CANADIAN MODELS 0-4500' Only	FP-05	FP-05	FP-05	FP-05	FP-05	FP-05	FP-05
BURNER / MANIFOLD GROUP [AFTER 5/1/99]								
32	BURNER ASSEMBLY	AS-67870-01	AS-67870-02	AS-67870-03	AS-67870-03	AS-67870-04	AS-67870-05	AS-67870-06
np	NOX BURNER INSERTS	AE-67863-01	AE-67863-01	AE-67863-01	AE-67863-01	AE-67863-01	AE-67863-01	AE-67863-01
np	NOX RETAINING BRKT	AE-67864-06	AE-67864-01	AE-67864-02	AE-67864-02	AE-67864-03	AE-67864-04	AE-67864-05
33	BURNERS	AS-61984-03	AS-61984-04	AS-61984-05	AS-61984-05	AS-61984-06	AS-61984-07	AS-61984-08
34	BURNER SUPPORT	AE-61809-11	AE-61809-12	AE-61809-13	AE-61809-13	AE-61809-14	AE-61809-15	AE-61809-16
35	BURNER SUPPORT BRKT	AE-61808-01	AE-61808-01	AE-61808-01	AE-61808-01	AE-61808-01	AE-61808-01	AE-61808-01
np	DIRECT SPARK IGNITER BRKT	AE-61885-02	AE-61885-02	AE-61885-02	AE-61885-02	AE-61885-02	AE-61885-02	AE-61885-02
36	MANIFOLD w/o ORIFICE	AS-67814-11	AS-67814-12	AS-67814-13	AS-67814-13	AS-67814-14	AS-67814-15	AS-67814-16
np	BURNER ORIFICE (Natural) listed below:							
	U.S. MODELS 0-7999' & CANADIAN MODELS 0-1999' ELEVATION	62-22175-50	62-22175-50	62-22175-50	62-22175-50	62-22175-50	62-22175-50	62-22175-50
	CANADIAN MODELS 2000-4500+	62-22175-51	62-22175-51	62-22175-51	62-22175-51	62-22175-51	62-22175-51	62-22175-51
np	LP CONVERSION KITS listed below:							
	U.S. MODELS 0-7999' Only	FP-02	FP-02	FP-02	FP-02	FP-02	FP-02	FP-02
	U.S. MODELS 8000' & Above Only	FP-03	FP-03	FP-03	FP-03	FP-03	FP-03	FP-03
	CANADIAN MODELS 0-4500' Only	FP-05	FP-05	FP-05	FP-05	FP-05	FP-05	FP-05

GAS CONTROLS

The Gas Controls listed below are specific to the [-]GTA Furnace

NO	DESCRIPTION	DC	DF	DG	DH
37	GAS VALVE	60-22866-01	60-22866-01	60-23490-01	60-23490-01
38	INTEGRATED FURNACE CONTROL	62-24044-01	62-24084-01	62-24084-02	62-24044-01
39	FLAME SENSOR	dna	dna	62-23543-01	62-23543-01
NO	DESCRIPTION	EH	EJ	EK	EL
37	GAS VALVE	60-22866-01	60-22866-01	60-23490-01	60-23490-01
38	INTEGRATED FURNACE CONTROL	62-24136-03	62-24140-02	62-24136-03	62-24140-02
40	IGNITOR	62-22868-02	62-22868-02	62-22868-02	62-22868-02
np	IGNITOR - DIRECT SPARK	62-24141-04	62-24141-04	62-24141-04	62-24141-04
41	IGNITOR BRACKET	AE-61581-01	AE-61581-01	AE-61581-01	AE-61581-01
np	BRACKET - DIRECT SPARK	AE-61885-02	AE-61885-02	AE-61885-02	AE-61885-02
42	IGNITOR SHIELD	AE-61627-01	AE-61627-01	AE-61627-01	AE-61627-01
np	WIRE HARNESS (prior 8/01/98)	AS-61997-28	AS-61997-28	AS-61997-28	AS-61997-28
np	WIRE HARNESS (after 8/01/98)	AS-61997-38	AS-61997-38	AS-61997-38	AS-61997-38
np	WIRE HARNESS (prior 8/30/97)	45-24090-03	45-24090-03	45-24090-03	45-24090-03
np	WIRE HARNESS (prior 4/27/02)	45-24090-05	45-24090-05	45-24090-05	45-24090-05
np	WIRE HARNESS (after 4/27/02) (Twist-Lock)	45-24393-02	45-24393-02	45-24393-02	45-24393-02

Printed in U.S.A.

Air Conditioning Division
P.O. Box 17010
Fort Smith, AR 72917-7010

**August 2002
92-21650-45R-01**