

INSTALLATION INSTRUCTIONS

FOR UPFLOW & DOWNFLOW/HORIZONTAL HIGH EFFICIENCY CONDENSING GAS FURNACES

(-)-GRA/(-)-GRB/(-)-GTA SERIES



RECOGNIZE THIS SYMBOL AS AN INDICATION OF IMPORTANT SAFETY INFORMATION!

▲ WARNING

IF THE INFORMATION IN THESE INSTRUCTIONS IS NOT FOLLOWED EXACTLY, A FIRE OR EXPLOSION MAY RESULT, CAUSING PROPERTY DAMAGE, PERSONAL INJURY OR DEATH.

▲ WARNING

THESE INSTRUCTIONS ARE INTENDED AS AN AID TO QUALIFIED SERVICE PERSONNEL FOR PROPER INSTALLATION, ADJUSTMENT AND OPERATION OF THIS UNIT. READ THESE INSTRUCTIONS THOROUGHLY BEFORE ATTEMPTING INSTALLATION OR OPERATION. FAILURE TO FOLLOW THESE INSTRUCTIONS MAY RESULT IN IMPROPER INSTALLATION, ADJUSTMENT, SERVICE OR MAINTENANCE, POSSIBLY RESULTING IN FIRE, ELECTRICAL SHOCK, CARBON MONOXIDE POISONING, EXPLOSION, PROPERTY DAMAGE, PERSONAL INJURY OR DEATH.

▲ WARNING

PROPOSITION 65 WARNING: THIS PRODUCT CONTAINS CHEMICALS KNOWN TO THE STATE OF CALIFORNIA TO CAUSE CANCER, BIRTH DEFECTS OR OTHER REPRODUCTIVE HARM.

▲ WARNING

- Do not store or use gasoline or other flammable vapors and liquids, or other combustible materials in the vicinity of this or any other appliance.
- WHAT TO DO IF YOU SMELL GAS
 - Do not try to light any appliance.
 - Do not touch any electrical switch; do not use any phone in your building.
 - Immediately call your gas supplier from a neighbor's phone. Follow the gas supplier's instructions.
 - If you cannot reach your gas supplier, call the fire department.
 - Do not return to your home until authorized by the gas supplier or fire department.
- DO NOT RELY ON SMELL ALONE TO DETECT LEAKS. DUE TO VARIOUS FACTORS, YOU MAY NOT BE ABLE TO SMELL FUEL GASES.
 - U.L. recognized fuel gas and CO (carbon monoxide) detectors are recommended in all applications, and their installation should be in accordance with the manufacturer's recommendations and/or local laws, rules, regulations, or customs.
- Improper installation, adjustment, alteration, service or maintenance can cause injury, property damage or death. Refer to this manual. Installation and service must be performed by a qualified installer, service agency or the gas supplier. In the commonwealth of Massachusetts, installation must be performed by a licensed plumber or gas fitter for appropriate fuel.

DO NOT DESTROY THIS MANUAL. PLEASE READ CAREFULLY AND KEEP IN A SAFE PLACE FOR FUTURE REFERENCE BY A SERVICEMAN.

INSTALLATION CHECK LIST

REFER TO INSTALLATION INSTRUCTIONS

GAS SUPPLY

- _____ Adequate pipe size
- _____ Correct supply pressure (during furnace operation)
- _____ Manifold pressure
- _____ No gas leaks
- _____ L.P. Kit Number (if applicable)

ELECTRICAL

- _____ 115 V.A.C. supply (Single Circuit)
- _____ Polarity observed
- _____ Furnace properly grounded
- _____ Adequate wire size

FURNACE INSTALLATION

- _____ Adequate clearance to combustibles
- _____ Adequate clearance for service (at front)

DUCT STATIC PRESSURE

- _____ in. w.c. on heating speed
- _____ in. w.c. on cooling speed
- _____ Air temperature rise

CONDENSATE LINE

- _____ Trap filled with water
- _____ Vented
- _____ Sloped toward drain
- _____ Condensate drain line hoses connected and clamped
- _____ Freeze protection (if necessary)

VENTING – DIRECT VENT

- _____ in. diameter – intake pipe
- _____ in. diameter – exhaust pipe
- _____ ft. of pipe – intake air
- _____ no. of elbows – intake air
- _____ ft. of pipe – exhaust pipe
- _____ no. of elbows – exhaust pipe
- _____ Exhaust vent temp.

TERMINATIONS – DIRECT VENT

VERTICAL

- _____ Intake – 12" min. above roof/snow level
- _____ Correct relationship – exhaust to intake

HORIZONTAL/VERTICAL – CONCENTRIC (RXGY-E03)

- _____ Intake – 12" min. above roof/snow level
- _____ Intake “Y” rotated above center
- _____ Exhaust sloped toward furnace

HORIZONTAL – STANDARD (RXGY-D02, -D03)

- _____ Correct relationship – exhaust to intake
- _____ 12" min. above grade/snow level

HORIZONTAL – ALTERNATE (RXGY-D02, -D03 OR -D04)

- _____ Correct relationship – exhaust to intake
- _____ Above anticipated snow level

VENTING – NON-DIRECT VENT

- _____ in. diameter – exhaust pipe
- _____ ft. of pipe – exhaust
- _____ no. of elbows

TERMINATION – NON-DIRECT VENT

VERTICAL

- _____ 12" min. above roof/snow level

HORIZONTAL – STANDARD

- _____ 12" min. above grade/snow level

HORIZONTAL – ALTERNATE

- _____ Above anticipated snow level
- _____ Model Number
- _____ Serial #
- _____ Date of Installation

SAFETY INFORMATION

▲ WARNING

USE ONLY WITH TYPE OF GAS APPROVED FOR THIS FURNACE. REFER TO THE FURNACE RATING PLATE.

▲ WARNING

INSTALL THIS FURNACE ONLY IN A LOCATION AND POSITION AS SPECIFIED IN THE LOCATION REQUIREMENTS AND CONSIDERATIONS SECTION OF THESE INSTRUCTIONS. PROVIDE ADEQUATE COMBUSTION AND VENTILATION AIR TO THE FURNACE SPACE AS SPECIFIED IN THE VENTING SECTION OF THESE INSTRUCTIONS.

▲ WARNING

PROVIDE ADEQUATE COMBUSTION AND VENTILATION AIR TO THE FURNACE SPACE AS SPECIFIED IN THE COMBUSTION AND VENTILATION AIR SECTION OF THESE INSTRUCTIONS.

▲ WARNING

COMBUSTION PRODUCTS MUST BE DISCHARGED OUTDOORS. CONNECT THIS FURNACE TO AN APPROVED VENT SYSTEM ONLY, AS SPECIFIED IN VENT PIPE INSTALLATION SECTION OF THESE INSTRUCTIONS.

▲ WARNING

DO NOT OPERATE THE SYSTEM FOR EXTENDED PERIODS WITHOUT FILTERS. A PORTION OF THE DUST ENTRAINED IN THE AIR MAY TEMPORARILY LODGE IN THE AIR DUCT RUNS AND AT THE SUPPLY REGISTERS. ANY CIRCULATED DUST PARTICLES WILL BE HEATED AND CHARRED BY CONTACT WITH THE FURNACE HEAT EXCHANGER. THIS SOOTY RESIDUE WILL SOIL CEILINGS, WALLS, DRAPES, CARPETS AND OTHER HOUSEHOLD ARTICLES. SOOT DAMAGE MAY ALSO RESULT WITH, OR WITHOUT, FILTERS IN PLACE, WHEN CERTAIN TYPES OF CANDLES ARE BURNED, OR CANDLEWICKS ARE LEFT UNTRIMMED.

▲ WARNING

NEVER TEST FOR GAS LEAKS WITH AN OPEN FLAME. USE A COMMERCIALY AVAILABLE SOAP SOLUTION MADE SPECIFICALLY FOR THE DETECTION OF LEAKS TO CHECK ALL CONNECTIONS, AS SPECIFIED IN GAS SUPPLY AND PIPING SECTION OF THESE INSTRUCTIONS.

▲ WARNING

ALWAYS INSTALL FURNACE TO OPERATE WITHIN THE FURNACE'S INTENDED TEMPERATURE-RISE RANGE WITH A DUCT SYSTEM WHICH HAS AN EXTERNAL STATIC PRESSURE WITHIN THE ALLOWABLE RANGE, AS SPECIFIED IN DUCTING SECTION OF THESE INSTRUCTIONS. SEE ALSO FURNACE RATING PLATE.

▲ WARNING

WHEN A FURNACE IS INSTALLED SO THAT SUPPLY DUCTS CARRY AIR CIRCULATED BY THE FURNACE TO AREAS OUTSIDE THE SPACE CONTAINING THE FURNACE, THE RETURN AIR SHALL ALSO BE HANDLED BY DUCT(S) SEALED TO THE FURNACE CASING AND TERMINATING OUTSIDE THE SPACE CONTAINING THE FURNACE.

▲ WARNING

DO NOT INSTALL THIS FURNACE IN A MOBILE HOME!! THIS FURNACE IS NOT APPROVED FOR INSTALLATION IN A MOBILE HOME. DOING SO COULD CAUSE FIRE, PROPERTY DAMAGE, PERSONAL INJURY OR DEATH.

▲ WARNING

WHEN THIS FURNACE IS INSTALLED IN A RESIDENTIAL GARAGE, IT MUST BE INSTALLED SO THE BURNERS AND IGNITION SOURCE ARE LOCATED NO LESS THAN 18 INCHES ABOVE THE FLOOR. THIS IS TO REDUCE THE RISK OF IGNITING FLAMMABLE VAPORS WHICH MAY BE PRESENT IN A GARAGE. ALSO, THE FURNACE MUST BE LOCATED OR PROTECTED TO AVOID PHYSICAL DAMAGE BY VEHICLES. FAILURE TO FOLLOW THESE WARNINGS CAN CAUSE A FIRE OR EXPLOSION, RESULTING IN PROPERTY DAMAGE, PERSONAL INJURY OR DEATH.

▲ WARNING

INSTALLATION MUST COMPLY WITH ALL INSTALLATION INSTRUCTIONS INCLUDING:

- PROPER VENT INSTALLATION;
- FURNACE OPERATING UNDER THERMOSTATIC CONTROL;
- RETURN AIR DUCT SEALED TO THE FURNACE;
- AIR FILTERS IN PLACE;
- SET FURNACE INPUT RATE AND TEMPERATURE RISE PER RATING PLATE MARKING;
- MEANS FOR PROVIDING OUTDOOR AIR REQUIRED FOR COMBUSTION;
- RETURN AIR TEMPERATURE MAINTAINED BETWEEN 55°F (13°C) AND 80°F (27°C); AND
- CLEAN FURNACE, DUCT WORK AND COMPONENTS UPON SUBSTANTIAL COMPLETION OF THE CONSTRUCTION PROCESS, AND VERIFY FURNACE OPERATING CONDITIONS INCLUDING IGNITION, INPUT RATE, TEMPERATURE RISE AND VENTING, ACCORDING TO THE INSTRUCTIONS.

▲ WARNING

DUCT LEAKS CAN CREATE AN UNBALANCED SYSTEM AND DRAW POLLUTANTS SUCH AS DIRT, DUST, FUMES AND ODORS INTO THE HOME CAUSING PROPERTY DAMAGE. FUMES AND ODORS FROM TOXIC, VOLATILE OR FLAMMABLE CHEMICALS, AS WELL AS AUTOMOBILE EXHAUST AND CARBON MONOXIDE (CO), CAN BE DRAWN INTO THE LIVING SPACE THROUGH LEAKING DUCTS AND UNBALANCED DUCT SYSTEMS CAUSING PERSONAL INJURY OR DEATH (SEE FIGURE 3).

- IF AIR-MOVING EQUIPMENT OR DUCTWORK IS LOCATED IN GARAGES OR OFF-GARAGE STORAGE AREAS - ALL JOINTS, SEAMS, AND OPENINGS IN THE EQUIPMENT AND DUCT MUST BE SEALED TO LIMIT THE MIGRATION OF TOXIC FUMES AND ODORS INCLUDING CARBON MONOXIDE FROM MIGRATING INTO THE LIVING SPACE.
- IF AIR-MOVING EQUIPMENT OR DUCTWORK IS LOCATED IN SPACES CONTAINING FUEL BURNING APPLIANCES SUCH AS WATER HEATERS OR BOILERS - ALL JOINTS, SEAMS, AND OPENINGS IN THE EQUIPMENT AND DUCT MUST ALSO BE SEALED TO PREVENT DEPRESSURIZATION OF THE SPACE AND POSSIBLE MIGRATION OF COMBUSTION BYPRODUCTS INCLUDING CARBON MONOXIDE INTO THE LIVING SPACE.

NOTICE

IMPROPER INSTALLATION, OR INSTALLATION NOT MADE IN ACCORDANCE WITH THE CSA INTERNATIONAL (CSA) CERTIFICATION OR THESE INSTRUCTIONS, CAN RESULT IN UNSATISFACTORY OPERATION AND/OR DANGEROUS CONDITIONS AND ARE NOT COVERED BY THE UNIT WARRANTY.

NOTICE

IN COMPLIANCE WITH RECOGNIZED CODES, IT IS RECOMMENDED THAT AN AUXILIARY DRAIN PAN BE INSTALLED UNDER ALL EVAPORATOR COILS OR UNITS CONTAINING EVAPORATOR COILS OR GAS FURNACES USED WITH EVAPORATOR COILS THAT ARE LOCATED IN ANY AREA OF A STRUCTURE WHERE DAMAGE TO THE BUILDING OR BUILDING CONTENTS MAY OCCUR AS A RESULT OF AN OVERFLOW OF THE COIL DRAIN PAN OR A STOPPAGE IN THE PRIMARY CONDENSATE DRAIN PIPING.

IMPORTANT: All manufacturer products meet current Federal OSHA Guidelines for safety. California Proposition 65 warnings are required for certain products, which are not covered by the OSHA standards.

California's Proposition 65 requires warnings for products sold in California that contain, or produce, any of over 600 listed chemicals known to the State of California to cause cancer or birth defects such as fiberglass insulation, lead in brass, and combustion products from natural gas.

All "new equipment" shipped for sale in California will have labels stating that the product contains and/or produces Proposition 65 chemicals. Although we have not changed our processes, having the same label on all our products facilitates manufacturing and shipping. We cannot always know "when, or if" products will be sold in the California market.

You may receive inquiries from customers about chemicals found in, or produced by, some of our heating and air-conditioning equipment, or found in natural gas used with some of our products. Listed below are those chemicals and substances commonly associated with similar equipment in our industry and other manufacturers.

- Glass Wool (Fiberglass) Insulation
- Carbon Monoxide (CO)
- Formaldehyde
- Benzene

More details are available at the Websites for OSHA (Occupational Safety and Health Administration), at www.osha.gov and the State of California's OEHHA (Office of Environmental Health Hazard Assessment), at www.oehha.org. Consumer education is important since the chemicals and substances on the list are found in our daily lives. Most consumers are aware that products present safety and health risks, when improperly used, handled and maintained.

CONTENTS

| | |
|--|-------|
| Safety Precautions | 1 |
| Installation Check List | 2 |
| Safety Information | 3 |
| General Information..... | 6 |
| Location Requirements and Considerations | 8 |
| Ducting | 13 |
| Venting and Combustion Air Piping | 14 |
| Combustion and Ventilation Air | 16 |
| Vent Pipe Installation..... | 19 |
| Condensate Drain/Neutralizer..... | 32 |
| Converting Downflow to Horizontal | 34 |
| Gas Supply and Piping..... | 36 |
| Electrical Wiring..... | 42 |
| Accessories | 43 |
| Furnace Twinning..... | 43 |
| High Altitude Instructions..... | 47 |
| Start-Up Procedures..... | 48 |
| Air Flow..... | 50 |
| Maintenance..... | 53 |
| Troubleshooting..... | 56 |
| Wiring Diagrams..... | 57-58 |

IMPORTANT: TO INSURE PROPER INSTALLATION AND OPERATION OF THIS PRODUCT, COMPLETELY READ ALL INSTRUCTIONS PRIOR TO ATTEMPTING TO ASSEMBLE, INSTALL, OPERATE, MAINTAIN OR REPAIR THIS PRODUCT. UPON UNPACKING OF THE FURNACE, INSPECT ALL PARTS FOR DAMAGE PRIOR TO INSTALLATION AND START-UP.

GENERAL INFORMATION

The (-)GRA/(-)GRB and (-)GTA series furnaces are design-certified by CSA for use with natural and propane gases as follows:

1. As non-direct vent central forced air furnaces taking combustion air from the installation area or using air ducted from the outside.
2. As direct vent central forced air furnaces with all combustion air supplied directly to the furnace burners through a special air intake system outlined in these instructions.

Install this furnace in accordance with the American National Standard Z223.1 – latest edition entitled “National Fuel Gas Code” (NFPA54) and requirements or codes of the local utilities or other authorities having jurisdiction. This is available from the following:

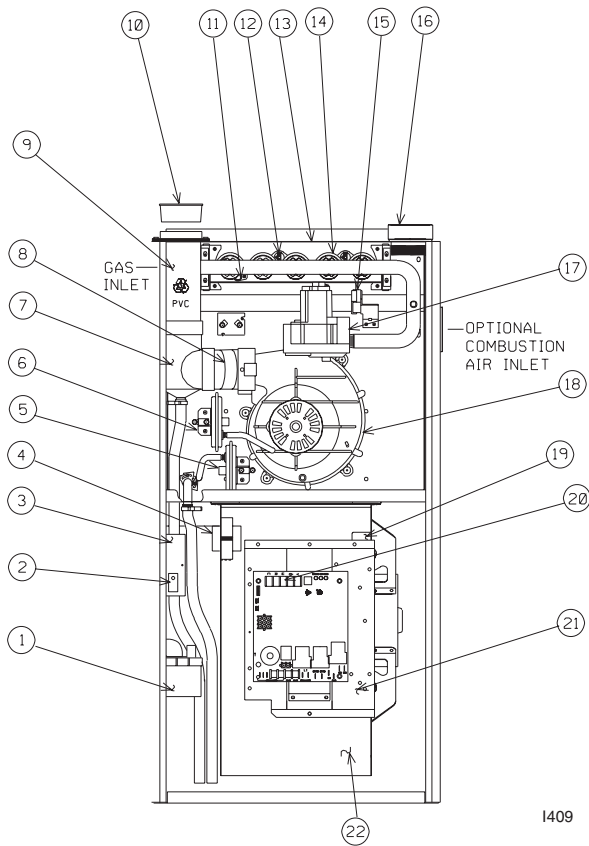
National Fire Protection Association, Inc.
 Batterymarch Park
 Quincy, MA 02269

CSA-INTERNATIONAL
 8501 East Pleasant Valley Road
 Cleveland, Ohio 44131-5575

Install units in Canada in accordance with CSA-B149, local installation codes and authorities having jurisdiction. CSA-B149 is available from:

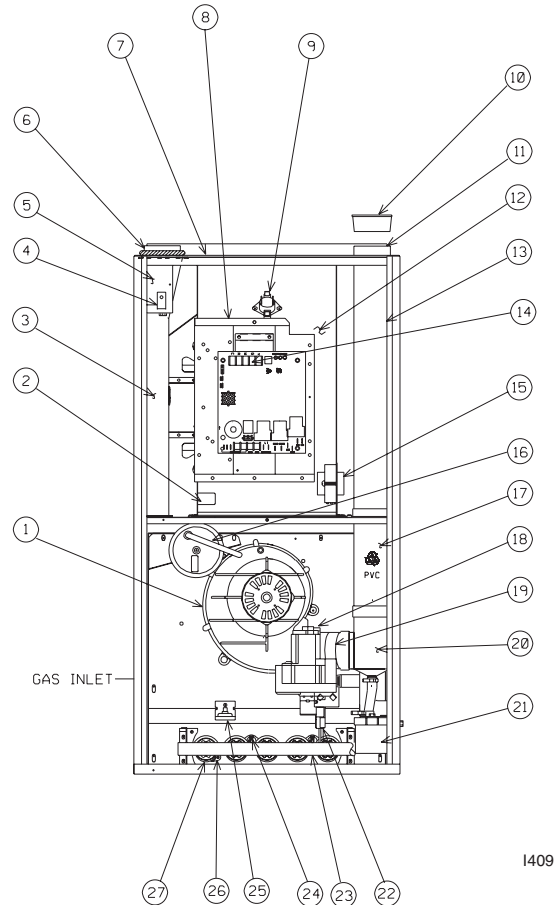
CSA-INTERNATIONAL
 178 Rexdale Blvd.
 Toronto, Ontario
 Canada M9W, 1R3

**FIGURE 1
 UPFLOW FURNACE**



| ITEM NO. | PART NAME | ITEM NO. | PART NAME |
|----------|-------------------------------|----------|-----------------------------------|
| 1 | CONDENSATE TRAP | 13 | TOP PLATE |
| 2 | DOOR SWITCH | 14 | BURNER |
| 3 | JUNCTION BOX | 15 | IGNITER (HSI ONLY) |
| 4 | TRANSFORMER | 16 | COMBUSTION AIR INLET |
| 5 | BLOCKED DRAIN PRESSURE SWITCH | 17 | GAS VALVE |
| 6 | MAIN PRESSURE SWITCH | 18 | INDUCED DRAFT BLOWER |
| 7 | EXHAUST TRANSITION | 19 | CAPACITOR |
| 8 | CONNECTOR | 20 | LOW VOLTAGE (THERMOSTAT) TERMINAL |
| 9 | OUTLET AIR PIPE | 21 | CONTROL MOUNTING PLATE |
| 10 | SHIPPING PLUG | 22 | BLOWER |
| 11 | FLAME SENSOR | | |
| 12 | OVERTEMPERATURE SWITCH | | |

**FIGURE 2
 DOWNFLOW/HORIZONTAL FURNACE**



| ITEM NO. | PART NAME | ITEM NO. | PART NAME |
|----------|------------------------|----------|-----------------------------------|
| 1 | INDUCED DRAFT BLOWER | 14 | LOW VOLTAGE TERMINAL (THERMOSTAT) |
| 2 | CAPACITOR | 15 | TRANSFORMER |
| 3 | INLET AIR CHASE | 16 | PRESSURE SWITCH |
| 4 | DOOR SWITCH | 17 | OUTLET AIR PIPE |
| 5 | JUNCTION BOX | 18 | GAS VALVE |
| 6 | INLET PIPE CONNECTOR | 19 | CONNECTOR |
| 7 | TOP PLATE | 20 | EXHAUST TRANSITION |
| 8 | CONTROL MOUNTING PLATE | 21 | CONDENSATE TRAP |
| 9 | AUXILIARY LIMIT | 22 | IGNITER (HSI) |
| 10 | SHIPPING PLUG | 23 | MANIFOLD |
| 11 | EXHAUST CONNECTION | 24 | OVERTEMPERATURE SWITCH |
| 12 | BLOWER | 25 | ROLLOUT SWITCH |
| 13 | EXHAUST PIPE EXTENSION | 26 | FLAME SENSOR |
| | | 27 | BURNER |

IMPORTANT INFORMATION ABOUT EFFICIENCY AND INDOOR AIR QUALITY

Central cooling and heating equipment is only as efficient as the duct system that carries the cooled or heated air. To maintain efficiency, comfort and good indoor air quality, it is important to have the proper balance between the air being supplied to each room and the air returning to the cooling and heating equipment.

Proper balance and sealing of the duct system improves the efficiency of the heating and air conditioning system and improves the indoor air quality of the home by reducing the amount of airborne pollutants that enter homes from spaces where the ductwork and / or equipment is located. The manufacturer and the U.S. Environmental Protection Agency's Energy Star Program recommend that central duct systems be checked by a qualified contractor for proper balance and sealing.

▲ WARNING

DUCT LEAKS CAN CREATE AN UNBALANCED SYSTEM AND DRAW POLLUTANTS SUCH AS DIRT, DUST, FUMES AND ODORS INTO THE HOME CAUSING PROPERTY DAMAGE. FUMES AND ODORS FROM TOXIC, VOLATILE OR FLAMMABLE CHEMICALS, AS WELL AS AUTOMOBILE EXHAUST AND CARBON MONOXIDE (CO), CAN BE DRAWN INTO THE LIVING SPACE THROUGH LEAKING DUCTS AND UNBALANCED DUCT SYSTEMS CAUSING PERSONAL INJURY OR DEATH (SEE FIGURE 3).

- IF AIR-MOVING EQUIPMENT OR DUCTWORK IS LOCATED IN GARAGES OR OFF-GARAGE STORAGE AREAS - ALL JOINTS, SEAMS, AND OPENINGS IN THE EQUIPMENT AND DUCT MUST BE SEALED TO LIMIT THE MIGRATION OF TOXIC FUMES AND ODORS INCLUDING CARBON MONOXIDE FROM MIGRATING INTO THE LIVING SPACE.
- IF AIR-MOVING EQUIPMENT OR DUCTWORK IS LOCATED IN SPACES CONTAINING FUEL BURNING APPLIANCES SUCH AS WATER HEATERS OR BOILERS - ALL JOINTS, SEAMS, AND OPENINGS IN THE EQUIPMENT AND DUCT MUST ALSO BE SEALED TO PREVENT DEPRESSURIZATION OF THE SPACE AND POSSIBLE MIGRATION OF COMBUSTION BYPRODUCTS INCLUDING CARBON MONOXIDE INTO THE LIVING SPACE.

NOTICE

IMPROPER INSTALLATION, OR INSTALLATION NOT MADE IN ACCORDANCE WITH THE CSA INTERNATIONAL (CSA) CERTIFICATION OR THESE INSTRUCTIONS, CAN RESULT IN UNSATISFACTORY OPERATION AND/OR DANGEROUS CONDITIONS AND ARE NOT COVERED BY THE UNIT WARRANTY.

NOTICE

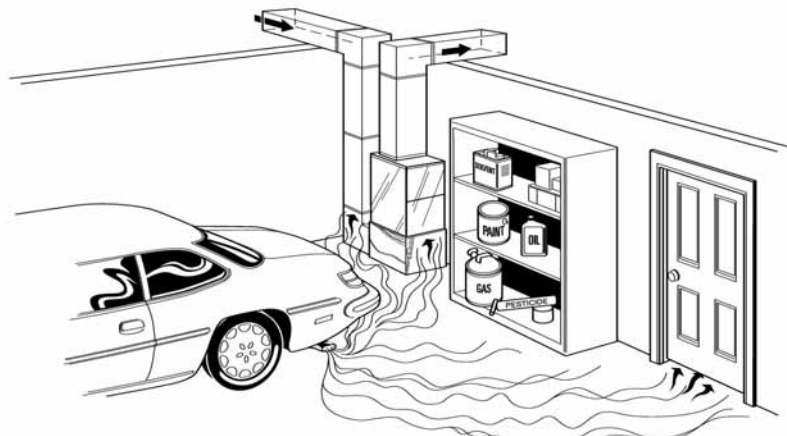
IN COMPLIANCE WITH RECOGNIZED CODES, IT IS RECOMMENDED THAT AN AUXILIARY DRAIN PAN BE INSTALLED UNDER ALL EVAPORATOR COILS OR UNITS CONTAINING EVAPORATOR COILS OR GAS FURNACES USED WITH EVAPORATOR COILS THAT ARE LOCATED IN ANY AREA OF A STRUCTURE WHERE DAMAGE TO THE BUILDING OR BUILDING CONTENTS MAY OCCUR AS A RESULT OF AN OVERFLOW OF THE COIL DRAIN PAN OR A STOPPAGE IN THE PRIMARY CONDENSATE DRAIN PIPING.

matches what is required for the job specification.

- Read the entire instructions before starting the installation.
- Some building codes require extra cabinet insulation and gasketing when unit is installed in attic applications.
- If installed in an unconditioned space, apply caulking around the power wires, control wires, refrigerant tubing and condensate line where they enter the cabinet. Seal the power wires on the inside where they exit conduit opening. Caulking is required to prevent air leakage into and condensate from forming inside the unit, control box, and on electrical controls.
- Install the unit in such a way as to allow necessary access to the coil/filter rack and blower/control compartment.
- Install the unit in a level position to ensure proper condensate drainage. Make sure unit is level in both directions within 1/8".
- Install the unit in accordance with any local code which may apply and the national codes. Latest editions are available from:

FIGURE 3

MIGRATION OF DANGEROUS SUBSTANCES, FUMES, AND ODORS INTO LIVING SPACES



Adapted from *Residential Duct Diagnostics and Repair*, with permission of Air Conditioning Contractors of America (ACCA).

RECEIVING

Immediately upon receipt, all cartons and contents should be inspected for transit damage. Units with damaged cartons should be opened immediately. If damage is found, it should be noted on the delivery papers, and a damage claim filed with the last carrier.

- After unit has been delivered to job site, remove carton taking care not to damage unit.
- Check the unit rating plate for unit size, electric heat, coil, voltage, phase, etc. to be sure equipment

“National Fire Protection Association, Inc., Batterymarch Park, Quincy, MA 02269.” These publications are:

- ANSI/NFPA No. 70-(Latest Edition) National Electrical Code.
- NFPA90A Installation of Air Conditioning and Ventilating Systems.
- NFPA90B Installation of warm air heating and air conditioning systems.
- The equipment has been evaluated in accordance with the Code of Federal Regulations, Chapter XX, Part 3280.

LOCATION REQUIREMENTS AND CONSIDERATIONS

GENERAL INFORMATION

▲ WARNING

DO NOT USE THIS FURNACE DURING CONSTRUCTION IF AIR LADEN CORROSIVE COMPOUNDS ARE PRESENT SUCH AS CHLORINE AND FLUORINE. OTHERWISE, PROVISIONS MUST BE TAKEN TO PROVIDE CLEAN, UNCONTAMINATED COMBUSTION AND VENTILATION AIR TO THE FURNACE. FURNACE COMBUSTION AND VENTILATION AIR CONTAMINATED WITH THESE COMPOUNDS FORMS ACIDS DURING COMBUSTION WHICH CORRODES THE HEAT EXCHANGER AND COMPONENT PARTS. SOME OF THESE CONTAMINANTS ARE FOUND IN, BUT NOT LIMITED TO, PANELING, DRY WALL, ADHESIVES, PAINTS, STAINES, VARNISHES, SEALERS, AND MASONRY CLEANING MATERIALS.

▲ WARNING

DO NOT INSTALL THIS FURNACE IN A MOBILE HOME!! This furnace is not approved for installation in a mobile home. Doing so could cause **FIRE, PROPERTY DAMAGE, PERSONAL INJURY OR DEATH.**

▲ WARNING

WHEN THIS FURNACE IS INSTALLED IN A RESIDENTIAL GARAGE, IT MUST BE INSTALLED SO THE BURNERS AND IGNITION SOURCE ARE LOCATED NO LESS THAN 18 INCHES ABOVE THE FLOOR. THIS IS TO PREVENT THE RISK OF IGNITING FLAMMABLE VAPORS WHICH MAY BE PRESENT IN A GARAGE. ALSO, THE FURNACE MUST BE LOCATED OR PROTECTED TO AVOID PHYSICAL DAMAGE BY VEHICLES. FAILURE TO FOLLOW THESE WARNINGS CAN CAUSE A FIRE OR EXPLOSION, RESULTING IN PROPERTY DAMAGE, PERSONAL INJURY OR DEATH.

1. **IMPORTANT:** If installing the unit over a finished ceiling or living area, be certain to install an auxiliary condensate drain pan under the entire unit. This auxiliary drain pan should extend under any evaporator coil installed with the furnace and the open portion of the condensate drain assembly. See "Condensate Drain/Neutralizer" section for more details.
2. **IMPORTANT:** If using a cooling evaporator coil with this furnace:
 - a. be sure the air passes over the heat exchanger before passing over the cooling coil. The cooled air passing over the warm ambient air inside the heat exchanger tubes can cause condensation inside the tubes resulting in corrosion and eventual failure.
 - b. install a parallel duct system to divert all the air from the furnace allowing it to pass over the cooling coil only. Use dampers or other means to prevent chilled air from passing over the heat exchanger.

If these are manual dampers, they must be equipped to prevent heating or cooling operation unless the damper is in the full heat or cool position.

3. **IMPORTANT:** Install the furnace level. If it is not level, condensate cannot drain properly, possibly causing furnace shut down.

NOTE: These furnaces are approved for installation in attics, as well as alcoves, utility rooms, closets and crawlspaces. Provisions must be made to prevent freezing of condensate.

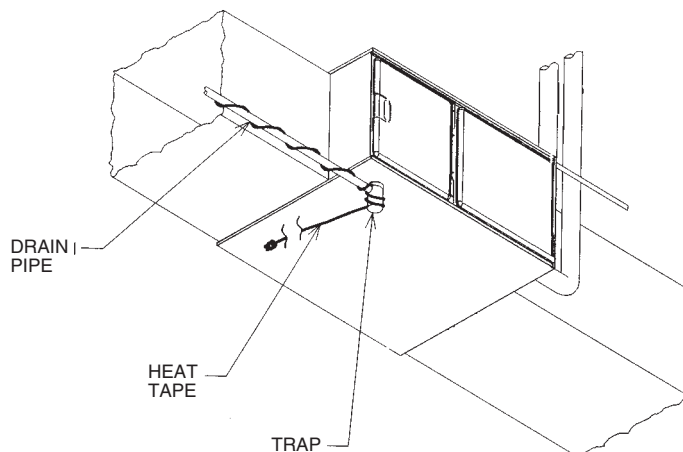
4. ▲ CAUTION

If this furnace is installed in a garage, attic and/or any unconditioned space, install a self-regulating heat tape around the condensate trap and along the entire length of the condensate drain in the unconditioned space. See Figure 4.

When the condensing horizontal gas furnace is installed in an unconditioned space where the temperature would be capable of reaching close to or below 32°F (0°C), a self-regulating heat tape is required on the condensate drain, along with an insulation wrap. The heat tape should meet the following requirements:

- a. *The heat tape must be UL listed.*
- b. *The heat tape must be installed per the manufacturer's instructions for the entire length of drain pipe in the unconditioned space.*

FIGURE 4
HORIZONTAL FURNACE W/HEAT TAPE ON CONDENSATE TRAP



1526

c. The heat tape should be rated at 5 or 6 watts per foot at 120V.

IMPORTANT: Support this unit when installed. Since this furnace is suitable for attic or crawl space installation, it may be installed on combustible wood flooring or by using support brackets. See Figure 5.

5. **IMPORTANT:** If installing in a utility room, be sure the door is wide enough to:
 - a. allow the largest part of the furnace to pass; or
 - b. allow any other appliance (such as a water heater) to pass.
6. **IMPORTANT:** This furnace is not approved or recommended for installation on its back, with access doors facing upwards.

CLEARANCE - ACCESSIBILITY

The design of forced air furnaces with input ratings as listed in the tables under Figures 6, 7, and 8 are certified by CSA-International for the clearances to combustible materials shown in inches.

See name/rating plate and clearance label for specific model number and clearance information.

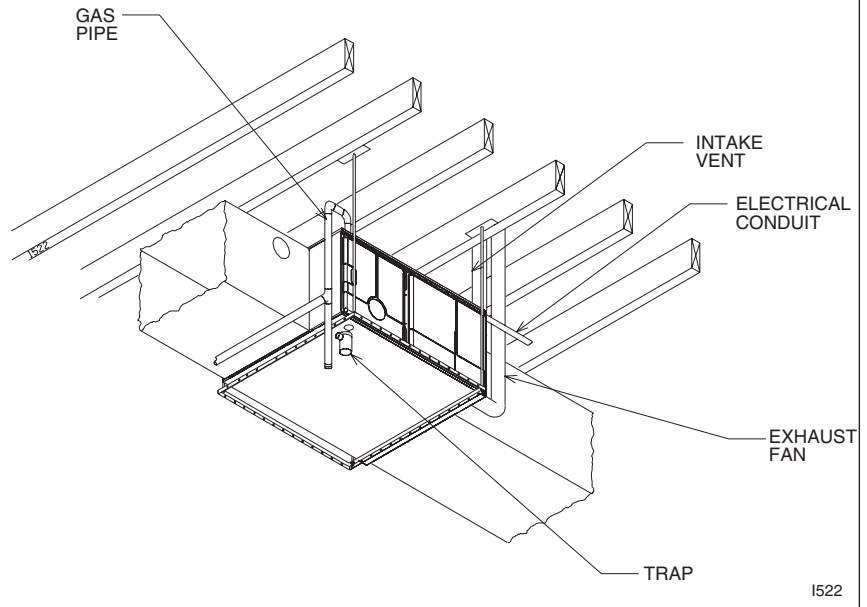
Service clearance of at least 24 inches is recommended in front of all furnaces.

NOTE: Use recommended 24" clearance if accessibility clearances are greater than fire protection clearances.

▲ WARNING

UPFLOW AND HORIZONTAL FURNACES ARE DESIGN-CERTIFIED FOR INSTALLATION ON COMBUSTIBLE FLOORS. NOTE, HOWEVER, THAT FURNACES MUST NOT BE INSTALLED DIRECTLY ON CARPETING, TILE OR OTHER COMBUSTIBLE MATERIAL OTHER THAN WOOD FLOORING. INSTALLATION ON A COMBUSTIBLE MATERIAL CAN RESULT IN FIRE, CAUSING PROPERTY DAMAGE, PERSONAL INJURY OR DEATH.

FIGURE 5
HORIZONTAL FURNACE INSTALLED W/SUPPORT BRACKETS



Upflow furnaces are shipped with a bottom closure panel installed. When bottom return air is used, remove the panel by removing the two screws attaching the panel to the front base angle. See Figure 51.

SITE SELECTION

1. Select a site in the building near the center of the proposed, or existing, duct system.
2. Give consideration to the vent system piping when selecting the furnace location. Be sure the venting system can get from the furnace to the termination with minimal length and elbows.
3. Locate the furnace near the existing gas piping. Or, if running a new gas line, locate the furnace to minimize the length and elbows in the gas piping.
4. Locate the furnace to maintain proper clearance to combustibles as shown in the following tables.

▲ WARNING

DO NOT LIFT THE UNIT BY THE HEAT EXCHANGER TUBES. DOING SO CAN CRACK THE HEAT EXCHANGER ASSEMBLY AND CAUSE CO2 TO BE RELEASED INTO THE ENVIRONMENT, WHICH CAN RESULT IN PERSONAL INJURY OR DEATH.

▲ WARNING

COMBUSTIBLE MATERIAL MUST NOT BE PLACED ON OR AGAINST THE FURNACE JACKET. THE AREA AROUND THE FURNACE MUST BE KEPT CLEAR AND FREE OF ALL COMBUSTIBLE MATERIALS INCLUDING GASOLINE AND OTHER FLAMMABLE VAPORS AND LIQUIDS. PLACEMENT OF COMBUSTIBLE MATERIALS ON, AGAINST OR AROUND THE FURNACE JACKET CAN CAUSE AN EXPLOSION OR FIRE RESULTING IN PROPERTY DAMAGE, PERSONAL INJURY OR DEATH. THE HOMEOWNER SHOULD BE CAUTIONED THAT THE FURNACE AREA MUST NOT BE USED AS A BROOM CLOSET OR FOR ANY OTHER STORAGE PURPOSES.

FIGURE 6
CLEARANCE TO COMBUSTIBLES, UPFLOW UNITS

| MODEL | UPFLOW MODELS | | | | | | MINIMUM CLEARANCE (IN.) | | | | | SHIP WGTs | |
|-------|---------------|----------|--------|---|--------|----------|-------------------------|------------|------|-----|-------|-----------|------|
| | A | B | C | D | E | F | LEFT SIDE | RIGHT SIDE | BACK | TOP | FRONT | | VENT |
| 04 | 17 1/2 | 16 11/32 | 15 5/8 | 2 | 15 | 13 25/32 | 0 | 0 | 0 | 1 | 2* | 0 | 111 |
| 06 | 17 1/2 | 16 11/32 | 15 5/8 | 2 | 15 | 13 25/32 | 0 | 0 | 0 | 1 | 2* | 0 | 117 |
| 07 | 17 1/2 | 16 11/32 | 15 5/8 | 2 | 15 | 13 25/32 | 0 | 0 | 0 | 1 | 2* | 0 | 123 |
| 09 | 21 | 19 27/32 | 19 1/8 | 2 | 18 1/2 | 17 9/32 | 0 | 0 | 0 | 1 | 2* | 0 | 148 |
| 10 | 21 | 19 27/32 | 19 1/8 | 2 | 18 1/2 | 17 9/32 | 0 | 0 | 0 | 1 | 2* | 0 | 152 |
| 12 | 24 1/2 | 23 11/32 | 22 5/8 | 2 | 22 | 20 25/32 | 0 | 0 | 0 | 1 | 2* | 0 | 160 |

*A service clearance of at least 24 inches is recommended in front of all furnaces.

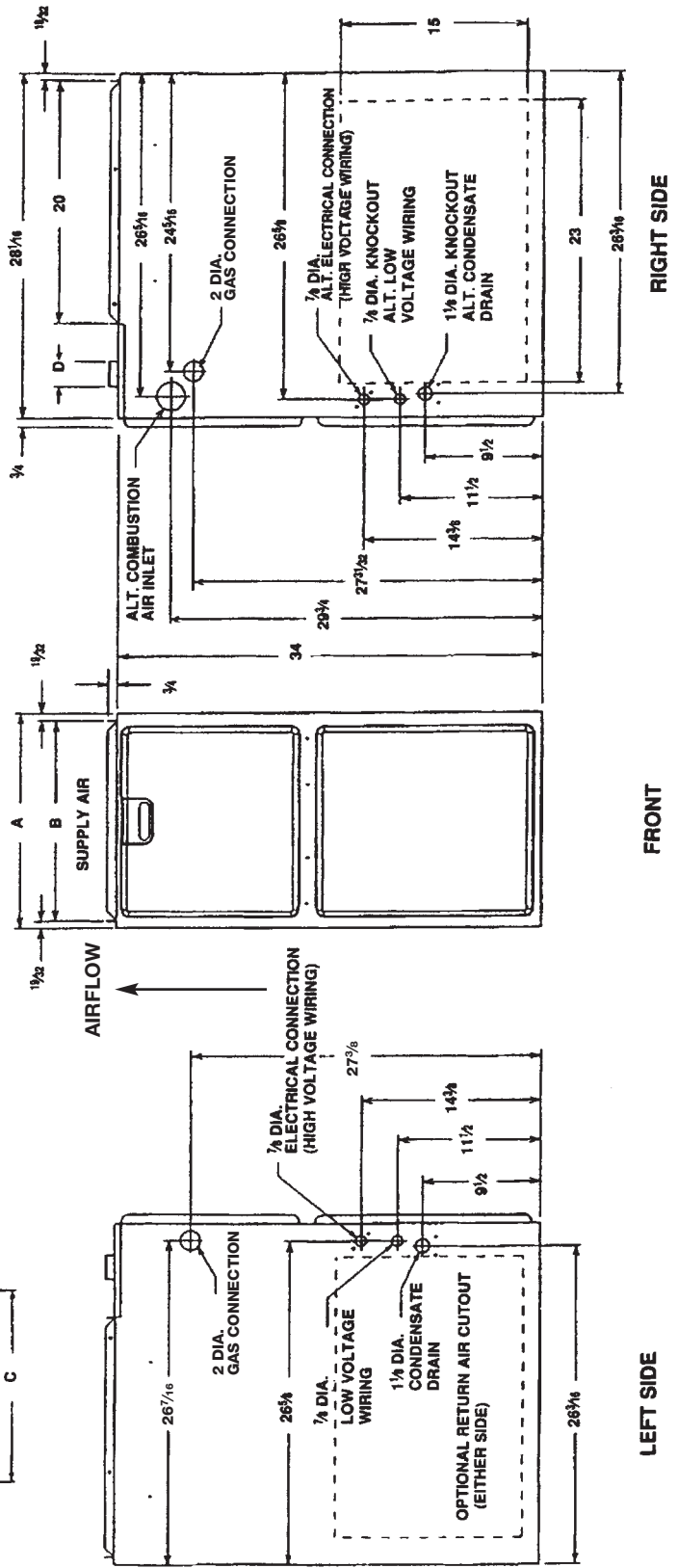
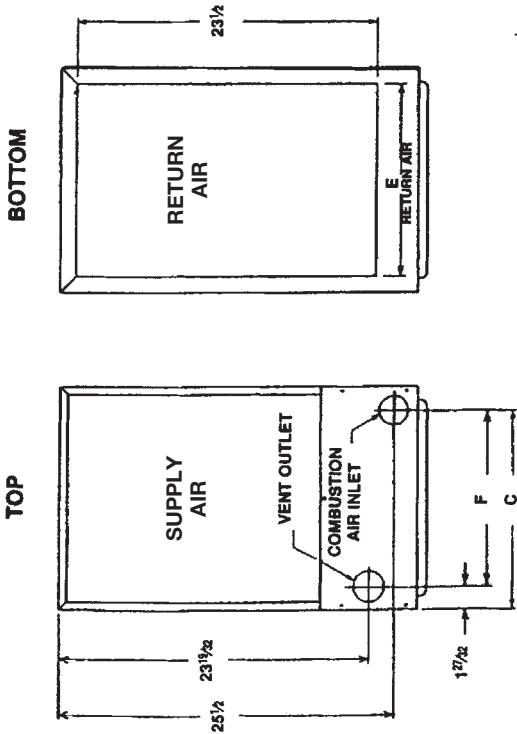
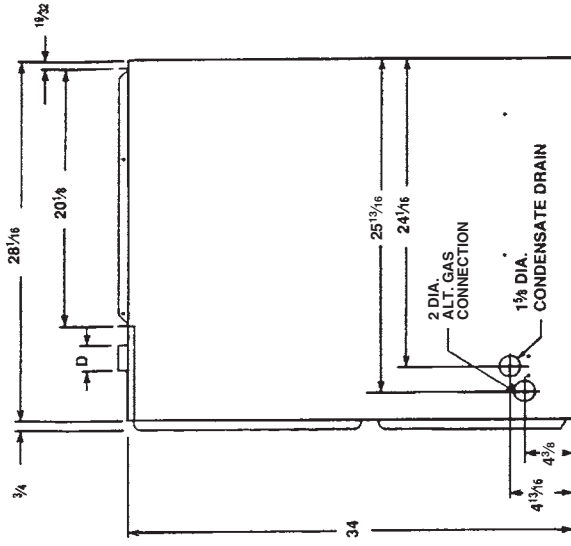
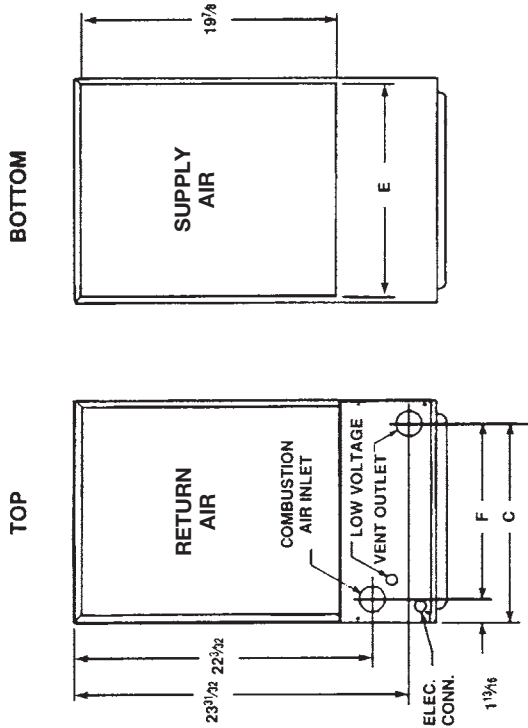


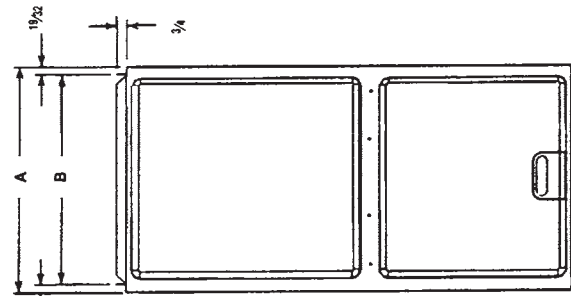
FIGURE 7
CLEARANCE TO COMBUSTIBLES, DOWNFLOW UNITS

| MODEL | DOWNFLOW MODELS | | | | | | MINIMUM CLEARANCE (IN.) | | | | | SHIP WGTs | |
|-------|-----------------|-----|-----|---|-----|-----|-------------------------|------------|------|-----|-------|-----------|------|
| | A | B | C | D | E | F | LEFT SIDE | RIGHT SIDE | BACK | TOP | FRONT | | VENT |
| 04 | 17½ | 16½ | 15½ | 2 | 16½ | 13½ | 0 | 0 | 0 | 1 | 2* | 0 | 111 |
| 06 | 17½ | 16½ | 15½ | 2 | 16½ | 13½ | 0 | 0 | 0 | 1 | 2* | 0 | 117 |
| 07 | 17½ | 16½ | 15½ | 2 | 16½ | 13½ | 0 | 0 | 0 | 1 | 2* | 0 | 123 |
| 09 | 21 | 19½ | 19¾ | 2 | 20½ | 17½ | 0 | 0 | 0 | 1 | 2* | 0 | 148 |
| 10 | 21 | 19½ | 19¾ | 2 | 20½ | 17½ | 0 | 0 | 0 | 1 | 2* | 0 | 152 |
| 12 | 24½ | 23½ | 22½ | 2 | 23½ | 20½ | 0 | 0 | 0 | 1 | 2* | 0 | 160 |

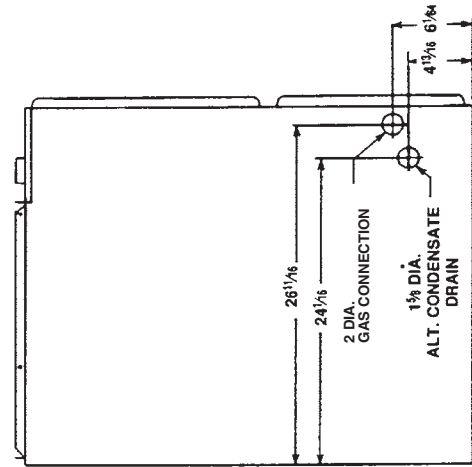
*A service clearance of at least 24 inches is recommended in front of all furnaces.



RIGHT SIDE



FRONT



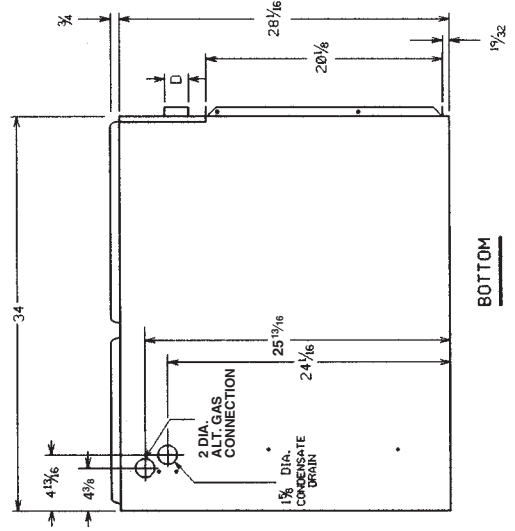
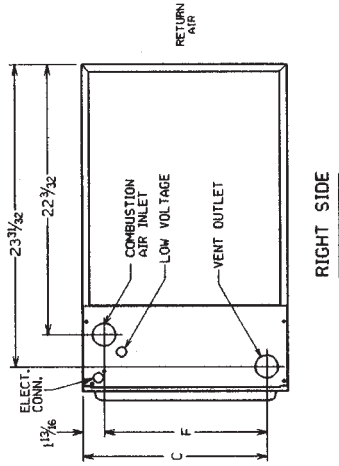
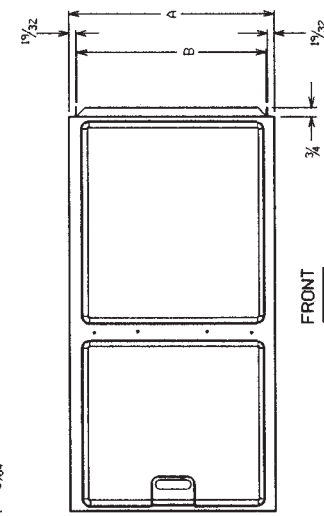
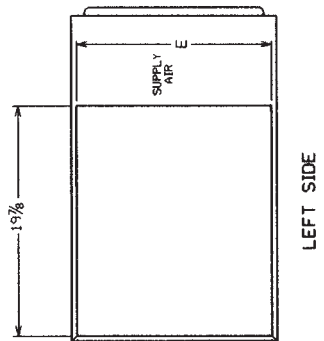
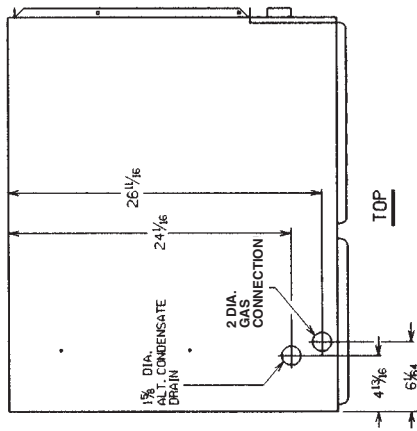
LEFT SIDE

NOTE: IN DOWNFLOW CONFIGURATION, OPTIONAL AIR CUTOFF IS NOT PERMITTED.

FIGURE 8
CLEARANCE TO COMBUSTIBLES, HORIZONTAL UNITS

| MODEL | DOWNFLOW MODELS | | | | | | MINIMUM CLEARANCE (IN.) | | | | | SHIP WGTs | |
|-------|--------------------------------|--------------------------------|---------------------------------|---|--------------------------------|--------------------------------|-------------------------|------------|------|-----|-------|-----------|------|
| | A | B | C | D | E | F | LEFT SIDE | RIGHT SIDE | BACK | TOP | FRONT | | VENT |
| 04 | 17 ¹ / ₂ | 16 ¹ / ₂ | 15 ⁵ / ₈ | 2 | 16 ⁵ / ₈ | 13 ⁷ / ₈ | 0 | 0 | 0 | 1 | 2* | 0 | 111 |
| 06 | 17 ¹ / ₂ | 16 ¹ / ₂ | 15 ⁵ / ₈ | 2 | 16 ⁵ / ₈ | 13 ⁷ / ₈ | 0 | 0 | 0 | 1 | 2* | 0 | 117 |
| 07 | 17 ¹ / ₂ | 16 ¹ / ₂ | 15 ⁵ / ₈ | 2 | 16 ⁵ / ₈ | 13 ⁷ / ₈ | 0 | 0 | 0 | 1 | 2* | 0 | 123 |
| 09 | 21 | 19 ⁷ / ₂ | 19 ³ / ₁₆ | 2 | 20 ¹ / ₈ | 17 ⁷ / ₈ | 0 | 0 | 0 | 1 | 2* | 0 | 123 |
| 10 | 21 | 19 ⁷ / ₂ | 19 ³ / ₁₆ | 2 | 20 ¹ / ₈ | 17 ⁷ / ₈ | 0 | 0 | 0 | 1 | 2* | 0 | 148 |
| 12 | 24 ¹ / ₂ | 23 ¹ / ₂ | 22 ⁵ / ₈ | 2 | 23 ⁵ / ₈ | 20 ⁵ / ₈ | 0 | 0 | 0 | 1 | 2* | 0 | 152 |

*A service clearance of at least 24 inches is recommended in front of all furnaces.



IMPORTANT: This furnace is not approved or recommended for installation on its back, with access doors facing upwards.

DUCTING

Proper air flow is required for the correct operation of this furnace. Too little air flow can cause erratic operation and can damage the heat exchanger. The duct system must carry the correct amount of air for heating and cooling if summer air conditioning is used.

Size the ducts according to acceptable industry standards and methods. The total static pressure drop of the air distribution system should not exceed 0.5" w.c.

NOTE: Return air grilles and warm air registers must not be obstructed

▲ WARNING

NEVER ALLOW THE PRODUCTS OF COMBUSTION FROM THE FLUE TO ENTER THE RETURN AIR DUCTWORK OR THE CIRCULATED AIR SUPPLY. ALL RETURN DUCTWORK MUST BE ADEQUATELY SEALED AND SECURED TO THE FURNACE WITH SHEET METAL SCREWS; AND JOINTS, TAPED. ALL OTHER DUCT JOINTS MUST BE SECURED WITH APPROVED CONNECTIONS AND SEALED AIRTIGHT. WHEN AN UPFLOW FURNACE IS MOUNTED ON A PLATFORM WITH RETURN THROUGH THE BOTTOM, IT MUST BE SEALED AIRTIGHT BETWEEN THE FURNACE AND THE RETURN AIR PLENUM. THE FLOOR OR PLATFORM MUST PROVIDE SOUND PHYSICAL SUPPORT OF THE FURNACE WITHOUT SAGGING, CRACKS, OR GAPS, AROUND THE BASE, PROVIDING A SEAL BETWEEN THE SUPPORT AND THE BASE.

FAILURE TO PREVENT PRODUCTS OF COMBUSTION FROM BEING CIRCULATED INTO THE LIVING SPACE CAN CREATE POTENTIALLY HAZARDOUS CONDITIONS, INCLUDING CARBON MONOXIDE POISONING THAT COULD RESULT IN PERSONAL INJURY OR DEATH.

DO NOT, UNDER ANY CIRCUMSTANCES, CONNECT RETURN OR SUPPLY DUCTWORK TO OR FROM ANY OTHER HEAT PRODUCING DEVICE SUCH AS A FIREPLACE INSERT, STOVE, ETC. DOING SO MAY RESULT IN FIRE, CARBON MONOXIDE POISONING, EXPLOSION, PERSONAL INJURY OR PROPERTY DAMAGE.

IMPORTANT: Some high efficiency filters have a greater than normal resistance to air flow. This can adversely affect furnace operation. BE SURE TO CHECK AIR FLOW.

IMPORTANT: When using outside air, design and adjust the system to maintain a return air temperature ABOVE 50° F during the heating season.

UPFLOW UNITS

1. Position the unit to minimize long runs of duct or runs of duct with many turns and elbows.
2. Open the return air compartment.

▲ WARNING

UPFLOW FURNACE: A SOLID METAL BASE PLATE MUST BE INSTALLED IN THE FURNACE BOTTOM WHEN USING SIDE RETURN. FAILURE TO INSTALL A BASE PLATE COULD CAUSE THE PRODUCTS OF COMBUSTION TO CIRCULATE INTO THE LIVING SPACE AND CREATE POTENTIALLY HAZARDOUS CONDITIONS, INCLUDING CARBON MONOXIDE POISONING OR DEATH.

- a. Cut an opening in the side. The opening should be cut the full width of the knockouts on the unit. See Figure 9.

NOTE: Where the maximum air flow is 1800 CFM or more, both sides or the bottom must be used for return air.

3. Connect the return duct or return air cabinet to the unit. Make the connection air tight to prevent entraining combustion gases from an adjacent fuel-burning appliance.
4. **Be sure to have adequate space for the unit filter.**

NOTE: DO NOT take return air from bathrooms, kitchens, furnace rooms, garages, utility or laundry rooms, or cold areas.

NOTE: DO NOT use a rear air return.

5. If summer air conditioning is desired, position the indoor coil on the top of the unit. Insure that no air can bypass this coil.
6. Connect the supply air plenum to the furnace plenum opening.

IMPORTANT: If a flexible duct connector must be used, it **MUST** be rated for a minimum temperature of 250°F. continuous.

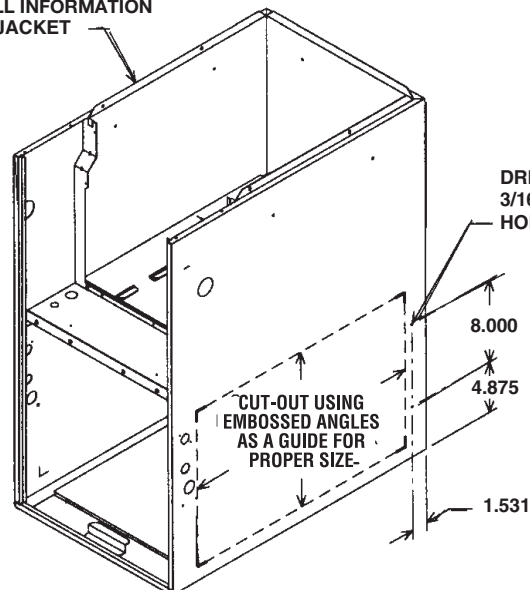
DOWNFLOW UNITS

1. Position the unit to minimize long runs of duct or runs of duct with many turns and elbows.
2. If summer air conditioning is desired, position the indoor coil on the bottom of the unit. Insure that no air can bypass this coil.
3. If installing on a combustible floor **and not using an air conditioning plenum**, install the special non-combustible floor base. See Figure 10.

▲ WARNING

THE DOWNFLOW FURNACE DESIGN IS CERTIFIED FOR INSTALLATION ON A NON-COMBUSTIBLE FLOOR. USE THE SPECIAL BASE SPECIFIED ON THE FURNACE CLEARANCE LABEL. FAILURE TO INSTALL THE SPECIAL BASE MAY RESULT IN FIRE, PROPERTY DAMAGE, PERSONAL INJURY OR DEATH. THIS SPECIAL BASE IS SHIPPED FROM THE FACTORY AS AN ACCESSORY.

FIGURE 9
CUTOUT AND DRILL INFORMATION
JACKET



4. Connect the furnace to the supply air plenum.
5. Connect the return air ducting to the return air opening at the top of the unit. Make the connection air tight to prevent entraining combustion gases from an adjacent fuel-burning appliance.

6. Be sure to have adequate space for the unit filter.

NOTE: DO NOT take return air from bathrooms, kitchens, furnace rooms, garages, utility or laundry rooms, or cold areas.

4. Connect the return air ducting to the return air opening at the right end of the unit. Make the connection air tight to prevent pulling combustion gases from an adjacent fuel-burning appliance.

5. Be sure to have adequate space for the unit filter.

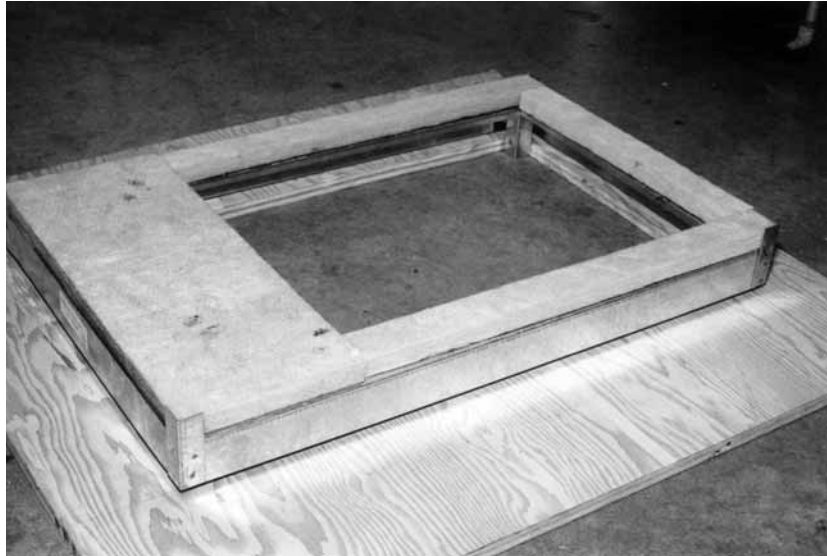
NOTE: DO NOT take return air from bathrooms, kitchens, furnace rooms, garages, utility or laundry rooms, or cold areas.

HORIZONTAL UNIT

IMPORTANT: This furnace may only be installed so that when facing the front of the furnace, supply air is discharged on the left hand side.

1. Position the unit to minimize long runs or runs with many turns and elbows.
2. If summer air conditioning is desired, position the indoor coil on the left end of the unit. Insure that no air can bypass this coil.
3. Connect the furnace to the supply air plenum.

FIGURE 10
COMBUSTIBLE FLOOR BASE



VENTING AND COMBUSTION AIR PIPING*

GENERAL INFORMATION

▲ WARNING

READ AND FOLLOW ALL INSTRUCTIONS IN THIS SECTION. FAILURE TO PROPERLY VENT THIS FURNACE CAN CAUSE CARBON MONOXIDE POISONING OR AN EXPLOSION OR FIRE, RESULTING IN PROPERTY DAMAGE, PERSONAL INJURY OR DEATH.

This furnace removes both sensible and latent heat from the combustion flue gases. Removal of latent heat results in condensation of flue gas water vapor. This condensed water vapor drains from the secondary heat exchanger and out of the unit into a drain trap.

When installed as a non-direct vent furnace, only exhaust piping is required and inside combustion air may be used. Refer to section on "COMBUSTION & VENTILATION AIR FOR FURNACE INSTALLATIONS."

Direct vent installations require a dedicated combustion air and venting system. All air for combustion is taken from the outside atmosphere and all combustion products are discharged to the outdoors.

▲ WARNING

IN CANADA, PRODUCTS CERTIFIED FOR INSTALLATION

AND INTENDED TO BE VENTED WITH PLASTIC VENT SYSTEMS (PVC, CPVC) MUST USE VENT SYSTEMS THAT ARE CERTIFIED AND STAMPED TO THE STANDARD FOR TYPE BH GAS VENTING SYSTEMS, ULC S636.

THE COMPONENTS OF THE CERTIFIED MATERIAL MUST NOT BE INTERCHANGED WITH OTHER VENT SYSTEMS OR UNLISTED PIPE/FITTINGS.

PLASTIC COMPONENTS AND SPECIFIED PRIMERS AND GLUES OF THE CERTIFIED SYSTEM MUST BE FROM A SINGLE SYSTEM MANUFACTURER AND NOT

INTERMIXED WITH OTHER SYSTEM MANUFACTURER'S PARTS.

The combustion air and vent pipe fittings must conform to American National Standards Institute (ANSI) and American Society for Testing Materials (ASTM) standards as shown below:

OVERTEMPERATURE SAFETY SWITCHES

Furnaces are equipped with safety switches in the control compartment to protect against overtemperature

| U.S. PIPE & FITTING MATERIAL* | ASTM SPECIFICATION |
|--|--------------------|
| Schedule 40 PVC (Pipe) | D1785 |
| Schedule 40 PVC (Cellular Core Pipe) | F891 |
| Schedule 40 PVC (Fittings) | D2466 |
| SDR-21PVC (Pipe) | D2241 |
| SDR-26 PVC (Pipe) | D2241 |
| Schedule 40 ABS Cellular Core DWV (Pipe) | F628 |
| Schedule 40 ABS (Pipe) | D1527 |
| Schedule 40 ABS (Fittings) | D2468 |
| ABS-DWV (Drain Waste & Vent) (Pipe & Fittings) | D2661 |
| PVC-DWV (Drain Waste & Vent) (Pipe & Fittings) | D2665 |

*Starting in 2007, Canada allows ULC-S636 PVC or CPVC only.

conditions caused by inadequate combustion air supply. The switches for the upflow and downflow models are located in the burner compartment. If a switch is tripped it must be manually reset.

▲ WARNING

DO NOT JUMPER THESE DEVICES! IF ONE OF THESE SWITCHES SHOULD TRIP, A QUALIFIED INSTALLER, SERVICE AGENCY OR THE GAS SUPPLIER MUST BE CALLED TO CHECK AND/OR CORRECT FOR ADEQUATE COMBUSTION AIR SUPPLY. DO NOT RESET THE SWITCHES WITHOUT TAKING CORRECTIVE ACTION TO ASSURE THAT AN ADEQUATE SUPPLY OF COMBUSTION AIR IS MAINTAINED UNDER ALL CONDITIONS OF OPERATION. FAILURE TO DO SO CAN RESULT IN CARBON MONOXIDE POISONING OR DEATH. IF THIS UNIT IS MOUNTED IN A CLOSET, THE DOOR MUST BE CLOSED WHEN MAKING THIS CHECK.

REPLACE THESE SWITCHES ONLY WITH THE IDENTICAL REPLACEMENT PART.

EXISTING VENT SYSTEMS*

*In Canada see ULC-S636 requirements.

When the installation of this furnace replaces an existing furnace that is removed from a vent system serving other appliances, the vent system is likely to be too large to properly vent the remaining attached appliances.

The following steps should be followed with each appliance remaining connected to the original common vent system. Place the appliance to be tested in operation, while the other appliances remaining connected to the common vent system are not in operation. Test the operation of each appliance individually by the following method.

1. Permanently seal any unused openings in the common venting system.
2. Visually inspect the venting system for proper size and horizontal pitch and determine that there is no blockage, restriction, leakage, corrosion or other deficiencies which could cause an unsafe condition.
3. If practical, close all building doors, windows and all doors between the space where the appliances remaining connected to the common venting system are located.
Turn on clothes dryers and any appliance not connected to the common venting system. Turn on any exhaust fans, such as range hoods and bathroom exhausts, so they will operate at maximum speed. Do not operate a summer exhaust fan. Close fireplace

dampers.

4. Follow the lighting instructions. Place the appliance being inspected into operation. Adjust the thermostat so the appliance will operate continuously.
5. Test for spillage at the draft hood relief opening after 5 minutes of main burner operation. Use the flame of a match or candle, or smoke from a cigarette, cigar or pipe.
6. After it has been determined that each appliance that remains connected to the common venting system properly vents (when tested as outlined above), return doors, windows, exhaust fans, fireplace dampers and any other gas-burning appliance to their previous conditions of use.
7. If improper venting is observed during any of the above tests, the common venting system must be resized. See vent tables in these instructions

When the furnace is installed in the same space with other gas appliances such as a water heater, be sure there is an adequate supply of combustion and ventilation air for the other appliances. Do not delete or reduce the combustion air supply required by the other gas appliances in this space. See Z223.1, National Fuel Gas Code (NFPA54) for determining the combustion air requirements for gas appliances. An unconfined space must have at least 50 cubic feet (volume) for each 1,000 BTUH of the total input of all appliances in the space. If the open space containing the appliances is in a building with tight construction (contemporary construction), outside air may still be required for the appliances to burn and vent properly. Outside air openings should be sized the same as for a confined space.

JOINING PIPE AND FITTINGS

▲ WARNING

PVC SOLVENT CEMENTS AND PRIMERS ARE HIGHLY FLAMMABLE. PROVIDE ADEQUATE VENTILATION AND DO NOT ASSEMBLE NEAR HEAT SOURCE OR AN OPEN FLAME. DO NOT SMOKE. AVOID SKIN OR EYE CONTACT. OBSERVE ALL CAUTIONS AND WARNINGS PRINTED ON MATERIAL CONTAINERS. FAILURE TO FOLLOW THESE GUIDELINES MAY RESULT IN FIRE, EXPLOSION OR ASPHYXIATION CAUSING PERSONAL INJURY OR DEATH.

All pipe, fittings, solvent cement, primers and procedures must conform to American National Standard Institute and American Society for Testing and Materials (ANSI/ASTM) standards in the U.S.

Pipe and Fittings - ASTM-D1785,

D2466, D2665, D2231, D2661 and F628.

PVC Primer and Solvent Cement - ASTM-D2564

ABS Pipe and Fittings - Use ABS Primer and Solvent Cement D2235

Procedure for Cementing Joints - ASTM-D2855

IMPORTANT: The plastic combustion air and venting components are of PVC. If using ABS piping, ensure that the solvent cement is compatible for joining PVC to ABS components or use a mechanical connection that can withstand the vent temperatures and are corrosion resistant.

CEMENTING JOINTS

Properly seal all joints in the PVC vent using the following materials and procedures.

PVC CLEANER-PRIMER AND PVC MEDIUM-BODY SOLVENT CEMENT

IMPORTANT: After cutting pipe, remove all ragged edges and burrs. This is important to prevent reduction in pressure drop throughout the system.

1. Cut pipe end square. Chamfer edge of pipe. Clean fitting socket and pipe joint area of all dirt, grease and moisture.
2. After checking pipe and socket for proper fit, wipe socket and pipe with cleaner-primer. Apply a liberal coat of primer to inside surface of socket and outside of pipe. Read instructions included with the primer for proper application.
3. Apply a thin coat of cement evenly in the socket. Quickly apply a heavy coat of cement to the pipe end and insert pipe into fitting with a slight twisting movement until it bottoms out.

NOTE: Cement must be fluid; if not, recoat.

4. Hold the pipe in the fitting for 30 seconds to prevent the tapered socket from pushing the pipe out of the fitting.
5. Wipe all excess cement from the joint with a rag. Allow 15 minutes before handling. Cure time varies according to fit, temperature and humidity.

NOTE: Stir the solvent cement frequently while using. Use a natural bristle brush or the dauber supplied with the can. The proper brush size is one inch.

IMPORTANT: For Proper Installation

DO NOT use solvent cement that has become curdled, lumpy or thickened.

DO NOT thin. Observe shelf precautions printed on containers.

For application below 32°F, use only low-temperature-type solvent cement.

COMBUSTION AND VENTILATION AIR

NON-DIRECT FURNACE INSTALLATIONS

▲ WARNING

THE FURNACE AND ANY OTHER FUEL-BURNING APPLIANCE MUST BE PROVIDED WITH ENOUGH FRESH AIR FOR PROPER COMBUSTION AND VENTILATION OF THE FLUE GASES. MOST HOMES WILL REQUIRE THAT OUTSIDE AIR BE SUPPLIED INTO THE FURNACE AREA. FAILURE TO DO SO CAN CAUSE PERSONAL INJURY OR DEATH FROM CARBON MONOXIDE POISONING.

Adequate facilities for providing air for combustion and ventilation must be provided in accordance with section 5.3, "Air for Combustion and Ventilation" of the National Fuel Gas Code, ANSI Z223.1 (latest edition) or applicable provisions for the local building codes, and not obstructed so as to prevent the flow of air to the furnace.

IMPORTANT: Air for combustion and ventilation must not come from a corrosive atmosphere. Any failure due to corrosive elements in the atmosphere is excluded from warranty coverage.

The following types of installation (but not limited to the following) will require OUTDOOR AIR for combustion, due to chemical exposures:

- Commercial buildings
- Buildings with indoor pools
- Furnaces installed in laundry rooms
- Furnaces in hobby or craft rooms
- Furnaces installed near chemical storage areas.

Exposure to the following substances in the combustion air supply (but not limited to the following) will also require OUTDOOR AIR for combustion:

- Permanent wave solutions
- Chlorinated waxes and cleaners
- Chlorine-based swimming pool chemicals
- Water softening chemicals
- De-icing salts or chemicals
- Carbon tetrachloride
- Halogen type refrigerants

- Cleaning solvents (such as perchloroethylene)
- Printing inks, paint removers, varnishes, etc.
- Hydrochloric acid
- Cements and glues
- Antistatic fabric softeners for clothes dryers
- Masonry curing and acid washing materials

Combustion air must be free of acid-forming chemicals such as sulphur, fluorine and chlorine. These elements are found in aerosol sprays, detergents, bleaches, cleaning solvents, air fresheners, paint and varnish removers, refrigerants and many other commercial and household products. When burned in a gas flame, vapors from these products form acid compounds. The acid compounds increase the dew point temperature of the flue products and are highly corrosive after they condense.

▲ WARNING

ALL FURNACE INSTALLATIONS MUST COMPLY WITH THE NATIONAL FUEL GAS CODE AND LOCAL CODES TO PROVIDE ADEQUATE COMBUSTION AND VENTILATION AIR FOR THE FURNACE. FAILURE TO DO SO CAN RESULT IN EXPLOSION, FIRE, PROPERTY DAMAGE, CARBON MONOXIDE POISONING, PERSONAL INJURY OR DEATH.

Combustion air requirements are determined by whether the furnace is in an open (unconfined) area or in a confined space such as a closet or small room.

EXAMPLE 1: FURNACE LOCATED IN AN UNCONFINED SPACE

Using indoor air for combustion.

An unconfined space must have at least 50 cubic feet for each 1,000 BTUH of the **total input for all appliances** in the space. Here are a few examples of the room sizes required for different inputs. The sizes are based on 8-foot ceilings.

| BTUH Input | Minimum Sq. Feet With 8' Ceiling | Typical Room Size With 8' Ceiling |
|------------|----------------------------------|-----------------------------------|
| 45,000 | 281 | 14' x 20' OR 16' x 18' |
| 60,000 | 375 | 15' x 25' OR 19' x 20' |
| 75,000 | 469 | 15' x 31' OR 20' x 24' |
| 90,000 | 563 | 20' x 28' OR 24' x 24' |
| 105,000 | 657 | 20' x 33' OR 26' x 25' |
| 120,000 | 750 | 25' x 30' OR 24' x 32' |

If the open space containing the furnace is in a building with tight construction, outside air may still be required for the furnace to operate and vent properly. Outside air openings should be sized the same as for a confined space.

EXAMPLE 2: FURNACE LOCATED IN A CONFINED SPACE

A confined space (any space smaller than shown above as "unconfined") must have openings into the space which are located in accordance with the requirements set forth in the following subsections A and B. Size the openings by how they are connected to the heated area or to the outside, and by the input of all appliances in the space.

If confined space is within a building with tight construction, combustion air must be taken from outdoors or area freely communicating with the outdoors.

A. USING INDOOR AIR FOR COMBUSTION

IMPORTANT: Air should not be taken from a heated space with a fireplace, exhaust fan or other device that may produce a negative pressure.

If combustion air is taken from the heated area, the openings must **each** have at least 100 square inches of free area. Each opening must have at least one square inch of free area for each 1,000 BTUH of total input in the space. Here are some examples of typical openings required.

| BTUH Input | Free Area Each Opening |
|------------|------------------------|
| 45,000 | 100 square inches |
| 60,000 | 100 square inches |
| 75,000 | 100 square inches |
| 90,000 | 100 square inches |
| 105,000 | 105 square inches |
| 120,000 | 120 square inches |

B. USING OUTDOOR AIR FOR COMBUSTION

IMPORTANT: Do not take air from an attic space that is equipped with power ventilation.

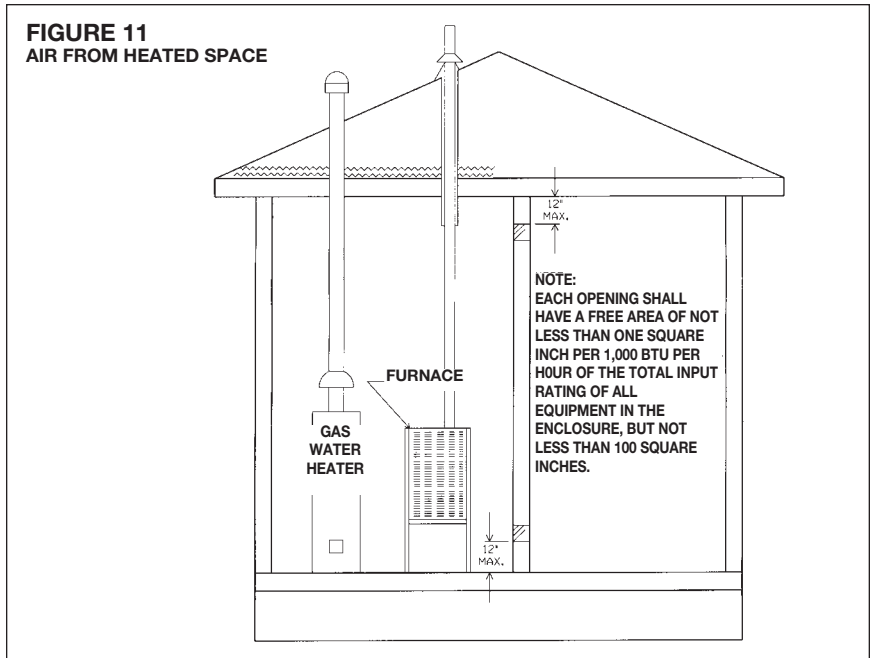
The confined space must communicate with the outdoors in accordance with Methods 1 or 2. The minimum dimension of air openings shall not be less than 3 inches. Where ducts are used, they shall be of the same cross-sectional area as the free area of the openings to which they connect.

Method 1

Two permanent openings, one located within 12 inches of the top and one located within 12 inches of the bottom of the enclosure, shall be provided. The openings shall communicate directly, or by ducts, with the outdoors or spaces (crawl or attic) that freely communicate with the outdoors.

a. Where directly communicating with the outdoors or where communicating to the outdoors

**FIGURE 11
AIR FROM HEATED SPACE**



through vertical ducts as shown in Figure 12, each opening shall have a minimum free area of 1 square inch for each 4,000 BTUH of total appliance input rating in the enclosure.

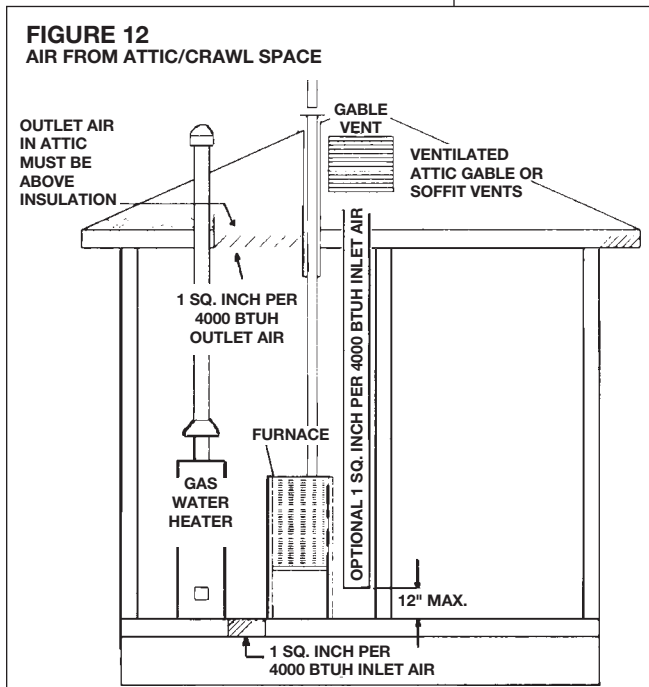
| BTUH Input | Free Area Each Opening | Round Pipe Size |
|------------|------------------------|-----------------|
| 45,000 | 11.25 square inches | 4" |
| 60,000 | 15.00 square inches | 5" |
| 75,000 | 18.75 square inches | 5" |
| 90,000 | 22.50 square inches | 6" |
| 105,000 | 26.25 square inches | 6" |
| 120,000 | 30.00 square inches | 6" |

b. Where communicating with outdoors through horizontal ducts, each opening shall have a minimum free area of 1 square inch for each 2,000 BTUH of total input rating of all equipment in the enclosure (See Figure 13).

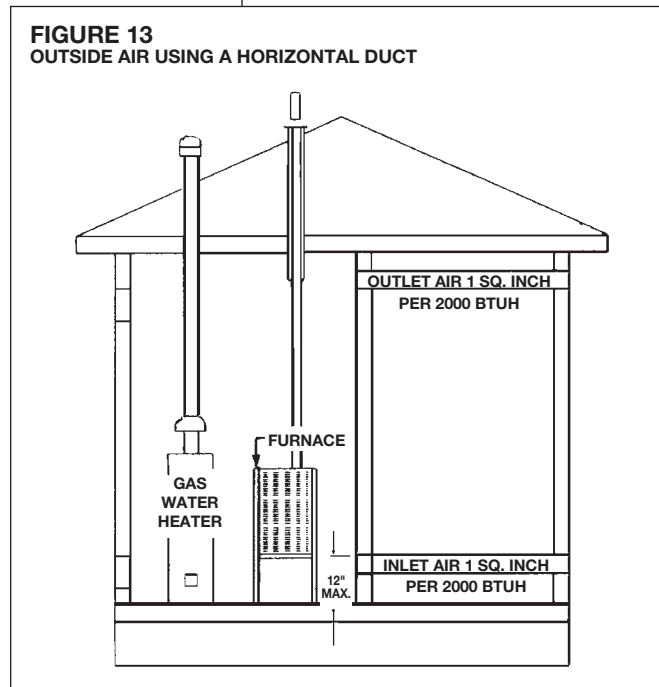
Here are some typical sizes:

| BTUH Input | Free Area Each Opening | Round Pipe Size |
|------------|------------------------|-----------------|
| 45,000 | 22.50 square inches | 6" |
| 60,000 | 30.00 square inches | 6" |
| 75,000 | 37.50 square inches | 7" |
| 90,000 | 45.00 square inches | 8" |
| 105,000 | 52.50 square inches | 8" |
| 120,000 | 60.00 square inches | 9" |

**FIGURE 12
AIR FROM ATTIC/CRAWL SPACE**



**FIGURE 13
OUTSIDE AIR USING A HORIZONTAL DUCT**



Method 2

(Not Shown)

One permanent opening, located within 12 inches of the top of the enclosure, shall be permitted where the equipment has clearances of at least 1 inch from the sides and back and 6 inches from the front of the appliance.

The opening shall directly communicate with the outdoors or communicate through a vertical or horizontal duct to the outdoors or spaces (crawl or attic) that freely communicate with the outdoors, and shall have a minimum free area of:

- a. 1 square inch for each 3,000 BTUH of the total input rating of all equipment located in the enclosure and

| BTUH Input | Free Area Each Opening | Round Pipe Size |
|------------|------------------------|-----------------|
| 45,000 | 15.00 square inches | 4" |
| 60,000 | 16.67 square inches | 5" |
| 75,000 | 25.00 square inches | 6" |
| 90,000 | 30.00 square inches | 6" |
| 105,000 | 35.00 square inches | 7" |
| 120,000 | 40.00 square inches | 7" |

- b. Not less than the sum of the areas of all vent connectors in the confined space.

If unit is installed where there is an exhaust fan, sufficient ventilation must be provided to prevent the exhaust fan from creating a negative pressure.

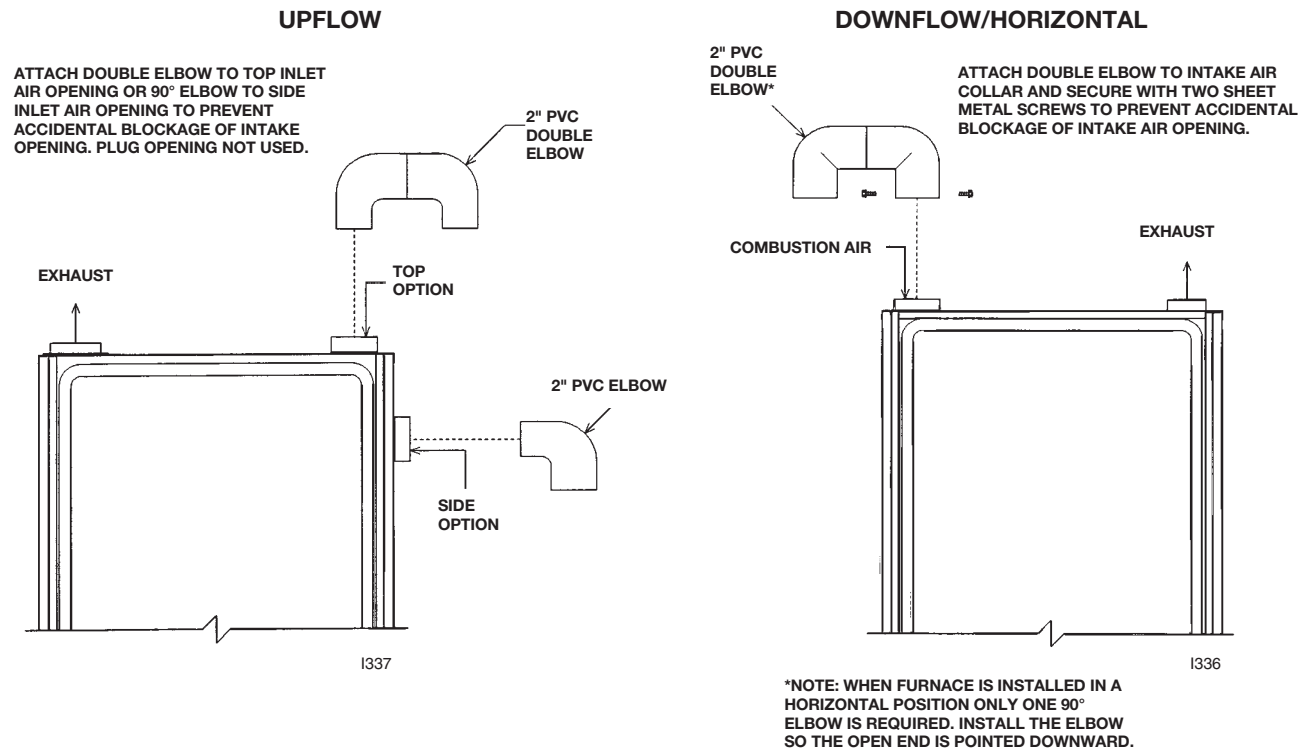
Combustion air openings must not be restricted in any manner.

CONSULT LOCAL CODES FOR SPECIAL REQUIREMENTS.

CONNECTION TO FURNACE

IMPORTANT: When indoor combustion air is used, the inlet air opening at the furnace must be protected from accidental blockage. On upflow models, install a 90° elbow pointing downward in the side inlet air opening or a double elbow pointing downward in the top inlet air opening. On downflow/horizontal models, install a double elbow in the top inlet air opening. See Figure 14.

FIGURE 14
COMBUSTION AIR FITTING



VENT PIPE INSTALLATION

NON-DIRECT VENT INSTALLATION GUIDELINES

IMPORTANT: Failure to correctly follow all venting guidelines may result in erratic furnace operation, freeze-up of combustion air or exhaust air piping or sooting of the furnace.

All exhaust piping must be installed in compliance with Part 7, "Venting of Equipment," of the latest edition of the National Fuel Gas Code NPFA54/ANSI Z223.1-, local codes or ordinances and these instructions.

1. Vertical piping is preferred.
2. All horizontal piping must slope upward a minimum of 1/4 inch per foot of run so that condensate drains toward the furnace.
3. All horizontal runs must be supported at least every 4 feet. No sags or dips are permitted.
4. **IMPORTANT:** Do not common vent with any other appliance. Do not install in the same chase or chimney with a metal or high temperature plastic pipe from another gas or fuel-burning appliance unless the required minimum clearances to combustibles are maintained between the PVC pipe and other pipes.
5. All vent runs through unconditioned spaces where below-freezing temperatures are expected should be insulated with 1-in. thick, medium-density, foil-faced fiberglass. An equivalent "arm-a-flex" or

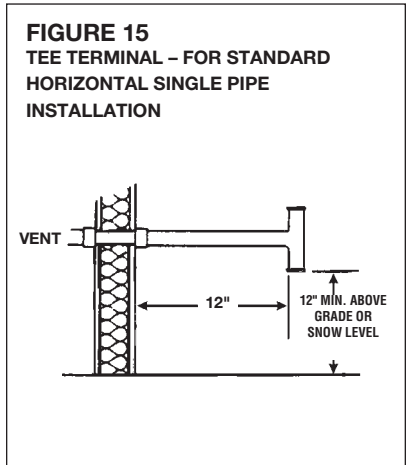


TABLE 1
FOR NON-DIRECT VENT APPLICATIONS - AIR FOR COMBUSTION PROVIDED FROM INDOORS

MAXIMUM ALLOWABLE LENGTH IN FEET OF EACH EXHAUST PIPE AND INTAKE PIPE

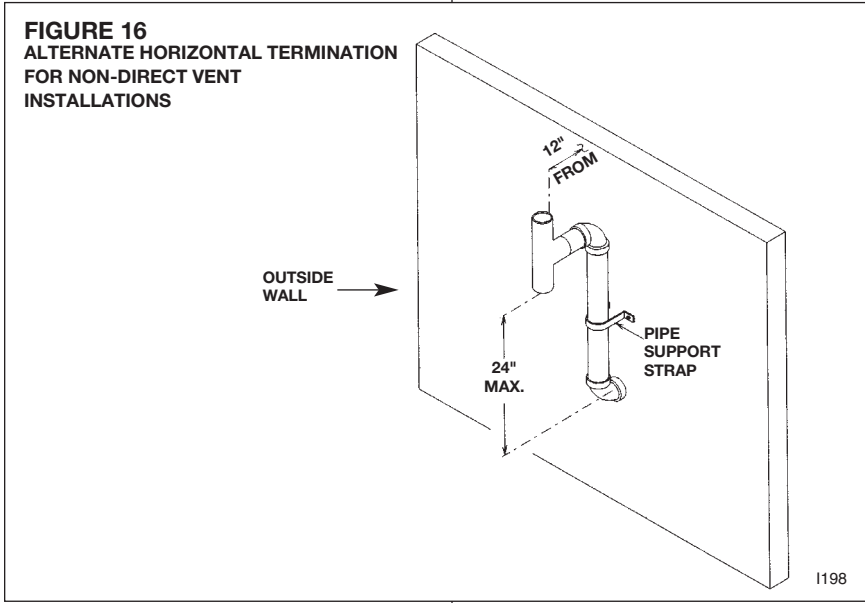
| FURNACE INPUT | PIPE SIZE | TERMINATION | NUMBERS OF ELBOWS 45° OR 90° Medium / Long Radius ONLY | | |
|---------------|-------------------|-------------|--|-----|-----|
| | | | 1-2 | 3-4 | 5-6 |
| 45,000 | 2" | Standard | 60 | 55 | 50 |
| | | Alternate | 55 | 50 | 45 |
| | 3" | Standard | 120 | 120 | 115 |
| | | Alternate | 120 | 120 | 110 |
| 60,000 | 2" | Standard | 35 | 30 | 25 |
| | | Alternate | 30 | 25 | 20 |
| | 3" | Standard | 120 | 120 | 115 |
| | | Alternate | 120 | 120 | 110 |
| 75,000 | 2" (-)GTA Only | Standard | 20 | 15 | NR |
| | | Alternate | NR | NR | NR |
| | 2" (-)GRB Only | Standard | 30 | 25 | NR |
| | | Alternate | NR | NR | NR |
| | 3" | Standard | 110 | 105 | 95 |
| | | Alternate | 80 | 70 | 65 |
| 90,000 | 3" | Standard | 90 | 85 | 75 |
| | | Alternate | 60 | 50 | 45 |
| 105,000 | 3" | Standard | 80 | 75 | 65 |
| | | Alternate | 50 | 40 | 35 |
| 120,000 | 3" | Standard | 70 | 65 | 55 |
| | | Alternate | 40 | 30 | 25 |

NOTES:

1. *N.R. - NOT RECOMMENDED.
2. MAXIMUM OF 6 - 90 DEGREE ELBOWS MAY BE USED. DO NOT COUNT ELBOWS REQUIRED FOR ALTERNATE TERMINATION. USE ONLY MEDIUM OR LONG SWEEP ELBOWS.
3. A 45° DEGREE ELBOW IS CONSIDERED ONE ELBOW.

ELEVATED SINGLE PIPE ALTERNATE TEE TERMINATION

See Figure 16. The tee termination may be elevated up to 24 inches above the wall penetration if required for anticipated snow levels. Use 2 medium-radius, 2-in. PVC elbows and 2-in. PVC pipe, attaching the tee so it is 12 inches from the wall.



“rub-a-tex” insulation may also be used as long as there is no heat tape applied to the vent pipe. For horizontal runs where water may collect, wrap the vent pipe with self-regulating 3 or 5 watt heat tape. The heat tape must be U.L. listed and installed per the manufacturer’s instructions.

6. The minimum vent pipe length is 5 feet.

STANDARD INSTALLATIONS

The single-pipe system requires an exhaust pipe only. Combustion air may be taken from the furnace installation area or ducted to the furnace area from the outside.

Size the exhaust pipe as specified in Table 1. This table lists the maximum allowable length in feet of the exhaust pipe that may be used for all furnace inputs as related to the number of elbows required and the termination. (See shaded area.)

Vertical through-the-roof installations do not require a vent termination. Use 2-in. PVC pipe extending a minimum of 12 inches above the anticipated level of snow accumulation. See exhaust pipe requirements, Figure 19. When 3-in. vent pipe is used from furnace to the roof, reduce it to 2 inches before penetrating the roof. A maximum of 18 inches of 2-in. pipe may be used below the roof. Maximum exposed vent length above the roof line is 30”.

Horizontal vent terminations require a 2-in. PVC tee positioned 12 inches from the outside wall. See exhaust pipe requirements, Figure 22. When 3-in. pipe is used from the furnace to the outside wall, reduce it to 2 inches before penetrating the wall. A maximum of 18 inches of 2-in. pipe may be used inside the wall.

An alternate termination may be used as shown in Figure 16 to clear anticipated snow levels. The tee may be raised up to 24 inches above the wall penetration. Use two medium-radius bend, 2-in. PVC elbows and a length of 2-in. PVC pipe so that the elbows are on 24-in. centers.

NON-DIRECT VENT TERMINATION LOCATION REQUIREMENTS

▲ CAUTION

MOISTURE IN THE COMBUSTION PRODUCTS CONDENSES AS IT LEAVES THE TERMINATION. THIS CONDENSATE CAN FREEZE ON EXTERIOR WALLS, UNDER THE EAVES, AND ON SURROUNDING OBJECTS. SOME DISCOLORATION IS TO BE EXPECTED. HOWEVER, IMPROPER LOCATION OR

INSTALLATION CAN CAUSE STRUCTURAL OR EXTERIOR FINISH DAMAGE TO THE BUILDING.

Non-direct venting location requirements are slightly different in some cases than direct venting. Install a non-direct vent with the following minimum clearances.

See Figure 17.

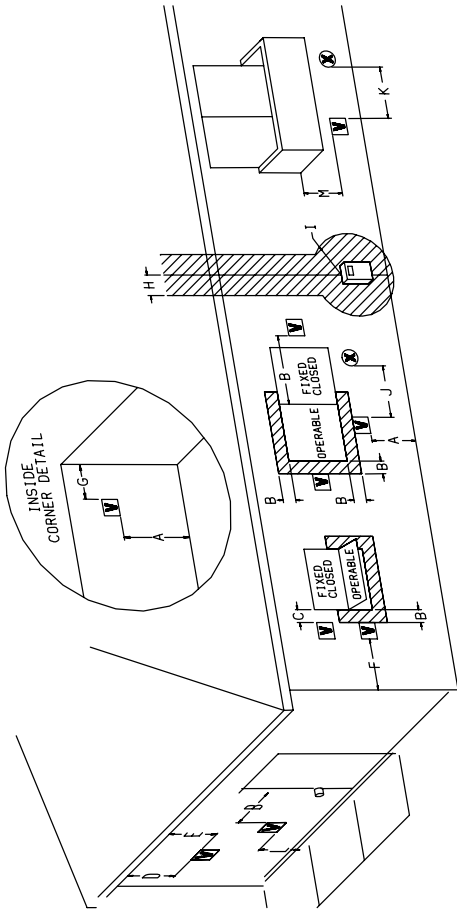
1. Locate the bottom of the vent terminal at least 12 inches above grade. Increase the 12-in. minimum to keep the terminal openings above the level of snow accumulation, where applicable.
2. The vent shall not terminate over public walkways or over an area where condensate or vapor could create a nuisance or hazard.
3. 4 feet below, 4 feet horizontally from, or 1 foot above any door, window soffit, under eave vent or gravity air inlet to the building.
4. The vent terminal shall have a minimum horizontal clearance of 4 feet from electric meters, gas meters, regulators and relief equipment.
5. 6 feet from an inside corner formed by two exterior walls – 10 feet is the recommended distance.
6. Locate it 3 feet above any forced air inlet located within 10 feet. Any fresh air or make-up air inlet, such as for a dryer or furnace area, is considered a forced air inlet.

7. Avoid areas where dripping condensate may cause problems, such as above planters, patios, or adjacent to windows where steam may cause fogging.

In addition to the minimum clearances listed above, the vent location should also be governed by the following guidelines.

1. Do not terminate under any kind of patio or deck. If running the vent under a deck, insulate it to insure no condensate freezes and blocks the pipe.
2. Do not locate on the side of a building with prevailing winter winds. This will help prevent moisture from freezing on walls and overhangs (under eaves).
3. Do not extend vent directly through brick or masonry surfaces. Use a rust-resistant sheet metal or plastic backing plate behind vent.
4. Do not locate too close to shrubs as condensate may stunt or kill them.
5. Minimum vertical clearances of 1 foot are recommended for overhangs up to 1 foot horizontal. The vertical clearance should be increased equally for each additional increase in horizontal overhang to a maximum vertical clearance of 6 feet.
6. Caulk all cracks, seams and joints within 6 feet horizontally and above and below vent.

FIGURE 17
OTHER THAN DIRECT VENT TERMINAL CLEARANCES



| | VENT TERMINAL (V) | AIR SUPPLY INLET (X) | AREA WHERE TERMINAL IS NOT PERMITTED (Hatched) |
|-----------|--|----------------------|--|
| A= | Clearance above grade, veranda, porch, deck, or balcony | | |
| B= | Clearance to window or door that may be opened | | |
| C= | Clearance to permanently closed window | | |
| D= | Vertical clearance to ventilated soffit located above the terminal within a horizontal distance of 2 feet (61 cm) from the center line of the terminal | | |
| E= | Clearance to unventilated soffit | | |
| F= | Clearance to outside corner | | |
| G= | Clearance to inside corner | | |
| H= | Clearance to each side of center line extended above meter/regulator assembly | | |
| I= | Clearance to service regulator vent outlet | | |
| A= | Clearance to nonmechanical air supply inlet to building or the combustion air inlet to any other appliance | | |
| K= | Clearance to a mechanical air supply inlet | | |
| L= | Clearance above paved sidewalk or paved driveway located on public property | | |
| M= | Clearance under veranda, porch, deck, or balcony | | |

| | Canadian Installations ¹ | US Installations ² | Canadian Installations ¹ | US Installations ² |
|-----------|---|---|---|---|
| A= | 12 inches (30 cm) | 12 inches (30 cm) | 6 inches (15 cm) for appliances ≤10,000 BTUH (3 kW), 12 inches (30 cm) for appliances >10,000 BTUH (3 kW) and ≤100,000 BTUH (30 kW), 36 inches (91 cm) for appliances >100,000 BTUH (30 kW) | 4 feet (1.2 m) below or to side of opening; 1 foot (300 mm) above opening |
| B= | 6 inches (15 cm) for appliances ≤10,000 BTUH (3 kW), 12 inches (30 cm) for appliances >10,000 BTUH (3 kW) and ≤100,000 BTUH (30 kW), 36 inches (91 cm) for appliances >100,000 BTUH (30 kW) | 4 feet (1.2 m) below or to side of opening; 1 foot (300 mm) above opening | 6 inches (15 cm) for appliances ≤10,000 BTUH (3 kW), 12 inches (30 cm) for appliances >10,000 BTUH (3 kW) and ≤100,000 BTUH (30 kW), 36 inches (91 cm) for appliances >100,000 BTUH (30 kW) | 4 feet (1.2 m) below or to side of opening; 1 foot (300 mm) above opening |
| C= | * | * | 6 feet (1.83 m) | 3 feet (91 cm) above if within 10 feet (3 m) horizontally |
| D= | * | * | 7 feet (2.13 m) † | 7 feet (2.13 m) |
| E= | * | * | 12 inches (30 cm) ‡ | * |

¹ In accordance with the current CSA B149.1 *Natural Gas and Propane Installation Code*
² In accordance with the current ANSI Z223.1 / NFPA 54 *National Fuel Gas Code*
† A vent shall not terminate directly above a sidewalk or paved driveway that is located between two single family dwellings and serves both dwellings.
‡ Permitted only if veranda, porch, deck, or balcony is fully open on a minimum of two sides beneath the floor.
* For clearances not specified in ANSI Z223.1 / NFPA 54 or CAN/CGA-B149, one of the following shall be indicated:
a) A reference to the following footnote:
"Clearance in accordance with local installation codes, the requirements of the gas supplier and the manufacturer's installation instructions."

DIRECT VENT INSTALLATIONS

▲ WARNING

READ AND FOLLOW ALL INSTRUCTIONS IN THIS SECTION. FAILURE TO PROPERLY VENT THIS FURNACE CAN CAUSE CARBON MONOXIDE POISONING OR AN EXPLOSION OR FIRE, RESULTING IN PROPERTY DAMAGE, PERSONAL INJURY OR DEATH.

Direct vent installations require a dedicated combustion air and venting system. All air for combustion is taken from the outside atmosphere and all combustion products are discharged to the outdoors. **Therefore, no ventilation or combustion air openings are required.**

IMPORTANT: The plastic combustion air and venting components are of Schedule 40 PVC. If using ABS piping ensure that the solvent cement is compatible for joining PVC to ABS components or use a mechanical connection that can withstand the vent temperatures and are corrosion resistant.

INSTALLATION GUIDELINES

All exhaust piping must be installed in compliance with Part 7, "Venting of Equipment," of the latest edition of the National Fuel Gas Code NPFA54/ANSI Z223.1-, local codes or ordinances and these instructions.

1. Vertical piping is preferred.
2. All horizontal piping must slope upward a minimum of 1/4 inch per foot of run so that condensate drains toward the furnace.
3. All horizontal runs must be supported at least every 4 feet. No sags or dips are permitted.
4. **IMPORTANT:** Do not common vent with any other appliance. Do not install in the same chase or chimney with a metal or high temperature plastic pipe from another gas or fuel-burning appliance unless the required minimum clearances to combustibles are maintained between the PVC pipe and other pipes.

TABLE 2
FOR DIRECT VENT APPLICATIONS - AIR FOR COMBUSTION PROVIDED FROM OUTDOORS

MAXIMUM ALLOWABLE LENGTH IN FEET OF EACH EXHAUST PIPE AND INTAKE AIR PIPE

| FURNACE INPUT | PIPE SIZE | TERMINATION | VENT TERMINATION KIT RECOMMENDED (RXGY-D0* Kits for Horizontal Venting Only) | NUMBER OF ELBOWS 45° or 90° Medium / Long Radius ONLY | | |
|---------------|-----------------------------------|---------------------|---|---|-------|---------------------|
| | | | | 1 - 2 | 3 - 4 | 5 - 6 |
| | | | | 45,000 | 2" | Standard/Concentric |
| | | Alternate | RXGY-D02 | 55 | 50 | 45 |
| 60,000 | 2" | Standard/Concentric | RXGY-D02/RXGY-E03/RXGY-G02 | 40 | 35 | 30 |
| | | Alternate | RXGY-D02 | 30 | 25 | 20 |
| | 3" | Standard/Concentric | RXGY-D03/RXGY-E03/RXGY-G02 | 120 | 120 | 120 |
| | | Alternate | RXGY-D03 | 110 | 105 | 100 |
| 75,000 | 2" (-)JSTA Downflow Only | Standard/Concentric | RXGY-D02/RXGY-E03/RXGY-G01 | 20 | 15 | NR |
| | | Alternate | Not Recommended | NR | NR | NR |
| | 2" (-)GRB Upflow Only | Standard/Concentric | RXGY-D02/RXGY-E03/RXGY-G01 | 30 | 25 | NR |
| | | Alternate | Not Recommended | NR | NR | NR |
| | 3" | Standard/Concentric | RXGY-D03/RXGY-E03/RXGY-G01 | 120 | 120 | 120 |
| | | Alternate | RXGY-D03 | 100 | 95 | 85 |
| 90,000 | 3" | Standard/Concentric | RXGY-D03/RXGY-E03/RXGY-G02 | 110 | 105 | 95 |
| | | Alternate | RXGY-D03 | 50 | 40 | 35 |
| 105,000 | 3" | Standard/Concentric | RXGY-D03/RXGY-E03/RXGY-G02 | 110 | 105 | 95 |
| | | Alternate | RXGY-D03 | 50 | 40 | 35 |
| | | Standard/Concentric | RXGY-D03/RXGY-E03/RXGY-G02 | 45 | 35 | 30 |
| 120,000 | 3" | Alternate | RXGY-D03 | 45 | 35 | 30 |
| | | Alternate | RXGY-D04 | 105 | 95 | 90 |

NOTES:

1. N.R. - NOT RECOMMENDED.
2. MAXIMUM OF 6 ELBOWS MAY BE USED. DO NOT COUNT ELBOWS IN ALTERNATE TERMINATION KIT. MEDIUM OR LONG SWEEP ELBOWS MAY BE USED.
3. A 45 DEGREE ELBOW IS CONSIDERED ONE ELBOW.
4. CONCENTRIC TERMINATION NO. RXGY-E03 IS FOR THRU-THE-ROOF OR THRU-THE-WALL VENTING.
5. USE KITS RXGY-D02 (2"), RXGY-G02 (2") OR RXGY-D03 (3") FOR STANDARD OR ALTERNATE THRU-THE-WALL VENTING.
6. USE KITS RXGY-D04 FOR ALTERNATE VENTING OF 120,000 BTUH UNITS WITH LONG RUNS.

5. For horizontal runs where water may collect, wrap the vent pipe with self-regulating 3 or 5 watt heat tape. The heat tape must be U.L. listed and installed per the manufacturer's instructions.

6. The minimum vent pipe length is 5 feet.

Size the exhaust and combustion air intake pipes as specified in Table 2. This table lists the maximum allowable length in feet of the exhaust and combustion air intake pipes that may be used for all furnace inputs as related to the number of elbows required and the termination (see shaded area).

7. The maximum exposed vent length (above the roof line) is 30".

COMBUSTION AIR FOR DIRECT VENT INSTALLATIONS

THE COMBUSTION AIR SYSTEM DESIGNED FOR THIS FURNACE MUST BE USED.

When this furnace is installed as a direct vent forced air furnace, all combustion air is supplied directly to the burner through a special air inlet system outlined in these instructions. This system consists of field-supplied Schedule 40 or 26 SDR-PVC pipe and one of the following horizontal vent termination kits: RXGY-D02, RXGY-D03, RXGY-D04, or RXGY-E03.

NOTE: Schedule 40 ABS-DWV pipe and fittings may be used as an alternate to PVC pipe for the combustion air inlet and vent pipes.

The combustion air for this furnace is supplied directly from the outdoors through the combustion air inlet system.

When the furnace is installed in the same space with other gas appliances, such as a water heater, be sure there is an adequate supply of combustion and ventilation air for the other appliances. Do not delete or reduce the combustion air supply required by the other gas appliances in this space. See Z223.1, National Fuel Gas Code (NFPA54) for determining the combustion air requirements for gas appliances. An unconfined space must have at least 50 cubic feet (volume) for each 1,000 BTUH of the total input of all appliances in the space. If the open space containing the appliances is in a building with tight construction (contemporary construction), outside air may still be required for the appliances to burn and vent properly. Outside air openings should be sized the same as for a confined space.

STANDARD TERMINATIONS

STANDARD VERTICAL TERMINATIONS

COMBUSTION AIR PIPING

Use two medium-radius sweep elbows to keep the inlet downward to prevent entry of rain. See Figure 20 for the proper relationship of combustion air to exhaust termination.

STANDARD HORIZONTAL TERMINATIONS

COMBUSTION AIR PIPING

When 3-in. pipe is used between the furnace and outside wall, reduce it to 2 inches before penetrating the wall. Up to 18 inches of 2-in. pipe may be used inside the wall.

The standard horizontal intake air termination for all models is a 2-in. PVC coupling with a wind deflector vane (provided) attached. Cut a 2¼-in. length of 2-in. PVC pipe. Connect this pipe and another 2-in. PVC coupling to the coupling at the wall. The outer coupling must terminate 4 inches from the wall. See Figure 21, Detail B, for vane location. Attach vane in vertical position with PVC solvent.

IMPORTANT: To ensure proper furnace operation, the supplied vane must be installed in the vertical position as shown in Figure 21, Detail B.

The combustion air inlet terminal must be located with respect to the exhaust terminal as shown in Figure 21, Detail C.

IMPORTANT: All furnaces with horizontal air intakes, except those using concentric vent kit RXGY-E03, must have a drain tee assembly and trap installed as close to the furnace as possible. This is to drain any water that may be in the combustion air pipe to prevent it from entering the furnace combustion chamber.

These parts are included in kits RXGY-D02 (for 2-in. pipe), RXGY-D03 (for 3-in. pipe) and RXGY-D04 (special for the 120,000 BTU furnace installed with the alternate horizontal termination). Attach the trap to the bottom of the tee with PVC solvent. Connect the other end to a suitable drain, as to the downstream of a condensate trap on the furnace.

STANDARD VERTICAL TERMINATIONS

EXHAUST VENT PIPING

Vertical through-the-roof vent applications do not require an exhaust terminal. The exhaust vent must terminate at least 12 inches above the combustion intake air termination. The exhaust vent for models with inputs of 90,000 through 120,000 BTUH is 2-in. PVC pipe 120,000 BTUH models with excessively long runs require 2½".

Refer to Table 2 for proper application. This must be reduced to 1" or 1½" the last 12 inches for models with inputs of 45,000 through 75,000 BTUH. See Figure 24.

STANDARD HORIZONTAL TERMINATIONS

EXHAUST PIPING

For direct vent systems the standard termination is 2-in. PVC pipe extending 12 inches from the wall for furnaces with inputs from 105,000 to 120,000 BTUH. Install a 2-in. coupling at the outside wall to prevent the termination from being pushed inward. When 3-in. pipe is used between the furnace and outside wall, reduce to 2 inches before penetrating the wall. The standard termination is 1½ -in. PVC pipe extending outward 12 inches from the wall for models with inputs of 45,000 to 75,000 BTUH. Install a 2-in. to 1½-in. coupling at the outside wall to prevent pushing the termination back into the wall. See Figure 21, Detail B.

The combustion air and exhaust terminations must be at least 12 inches above grade and must be oriented with respect to each other as shown in Figure 21. Refer to section on alternate venting options when higher snow levels are anticipated.

ALTERNATE TERMINATIONS

ALTERNATE HORIZONTAL DIRECT VENT TERMINATIONS

KIT NOS. RXGY-D02, -D03 AND -D04

The combustion air and exhaust terminations may be raised a maximum of **60 inches** above the wall penetration to maintain the required 12 inch clearance above grade or snow level. See Figure 18. Size the pipe length according to Table 2.

IMPORTANT: The following guidelines must be met when extending beyond 24 inches of pipe on the exterior of the structure:

- Size the entire vent system according to the alternate, not standard, termination shown in Table 2.

- Insulate the entire length of vent pipe, between the elbow where the pipe exits the wall and the elbow where the termination is made, with a closed-cell insulation, such as “Arm-a-Flex” or “Rub-a-TEX” with a minimum of 1/2” thickness.
- All elbows installed on the exterior of the building must be of the long sweep nature.
- As required for the horizontal piping ran within the structure, any pipe ran horizontal outside the structure must slope upward a minimum of 1/4” per foot run so that condensate drains toward the furnace.

From the top elbow in the exhaust pipe, extend a length of PVC pipe outward so that it terminates exactly 12 inches from the wall. See Figure 18. Reduce the termination pipe extension to is 1 1/2 inch pipe for 45,000 BTUH through 75,000 BTUH units.

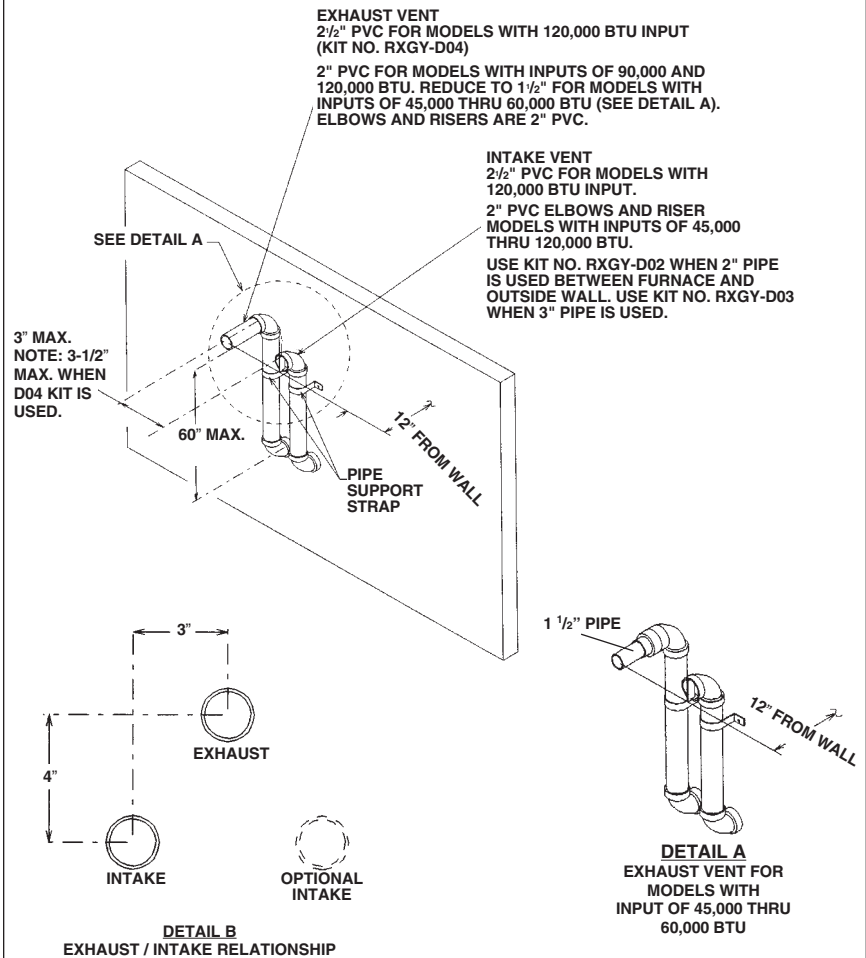
The 45,000 BTUH unit only uses kit RXGY-D02. The 60,000 BTUH and 75,000 BTUH units may use kits RXGY-D02 or RXGY-D03 depending on pipe lengths and number of elbows. Use kit RXGY-D03 with 90,000 BTUH through 120,000 BTUH units. **The RXGY-D04 kit only applies to the 120,000 BTUH unit using an alternate termination and long runs.** See Table 2.

The following are parts lists for the RXGY-D02, RXGY-D03 and RXGY-D04 alternate horizontal direct vent termination kits:

RXGY-D02

1. 2-in. tee with reducer assembly
2. 1/2-in. PVC 6-in. dia. trap
3. PVC vane
4. 2-in. PVC elbow
5. 1 1/2-in. PVC nipple with coupling
6. PVC strap
7. vent template

FIGURE 18
ALTERNATE HORIZONTAL DIRECT VENT TERMINATION



1339

RXGY-D03

1. 3-in. tee with reducer assembly
2. 1/2-in. PVC 6-in. dia. trap
3. PVC vane
4. 2-in. PVC elbow
5. PVC strap
6. vent template

RXGY-D04

1. 2 1/2-in. PVC elbow
2. 3" x 2 1/2" PVC bushing
3. 2 1/2" x 6 1/2" long PVC pipe
4. 2 1/2" x 16" long PVC pipe
5. 2 1/2" x 21" long PVC pipe
6. PVC vane
7. 3-in. tee with reducer assembly
8. 6-in. dia. 1/2-in. PVC trap
9. PVC strap
10. vent template

NOTE: The RXGY-D04 kit only applies to the 120,000 BTUH unit using an alternate termination and excessively long runs.

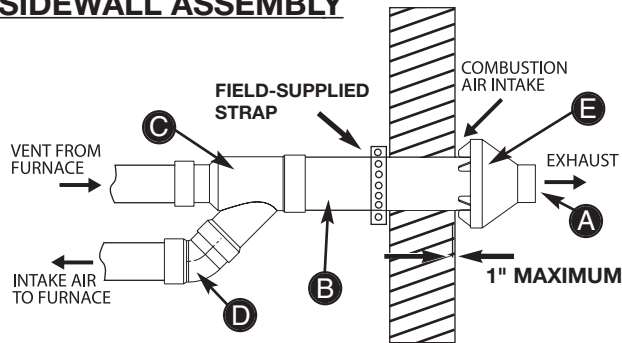
CONCENTRIC TERMINATIONS

VERTICAL/HORIZONTAL CONCENTRIC VENT KIT NO. RXGY-E03

This kit is for vertical/horizontal intake air/vent runs and may be installed through roofs and sidewalls. One 5" diameter hole is required for the installation. See Figure 19 for the general layout. Complete installation instructions are included with the kit.

FIGURE 19
CONCENTRIC VENT KIT NO. RXGY-E03

SIDEWALL ASSEMBLY



ITEM No. DESCRIPTION

| | |
|---|---|
| A | 2.5" PVC PIPE SCHEDULE 40 -- 37.125" LONG |
| B | 4" PVC PIPE SCHEDULE 40 -- 24" LONG |
| C | 3" x 3" x 4" SPECIAL CONCENTRIC FITTING |
| D | 3" x 45° STREET ELBOW (FIELD SUPPLIED) |
| E | PVC RAINCAP |

ROOF INSTALLATION

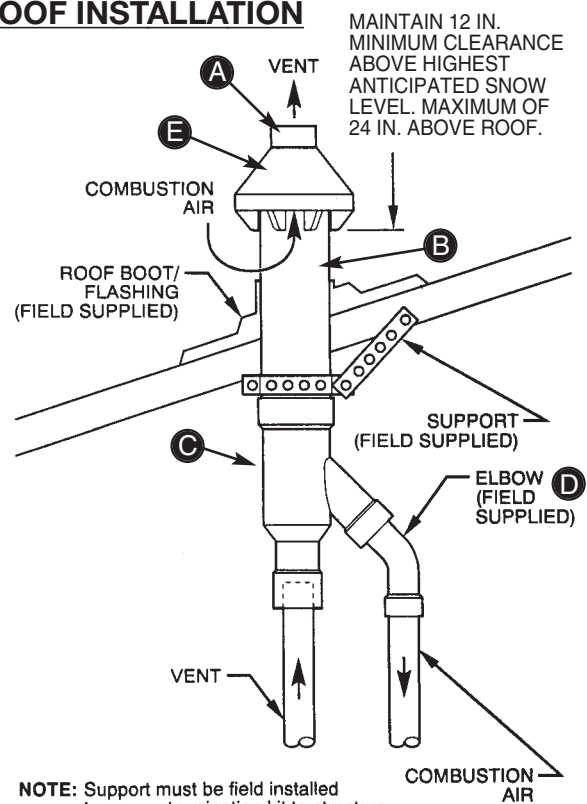


FIGURE 20
STANDARD VERTICAL DIRECT VENTING
UPFLOW MODEL SHOWN (TYPICAL FOR DOWNFLOW MODELS)

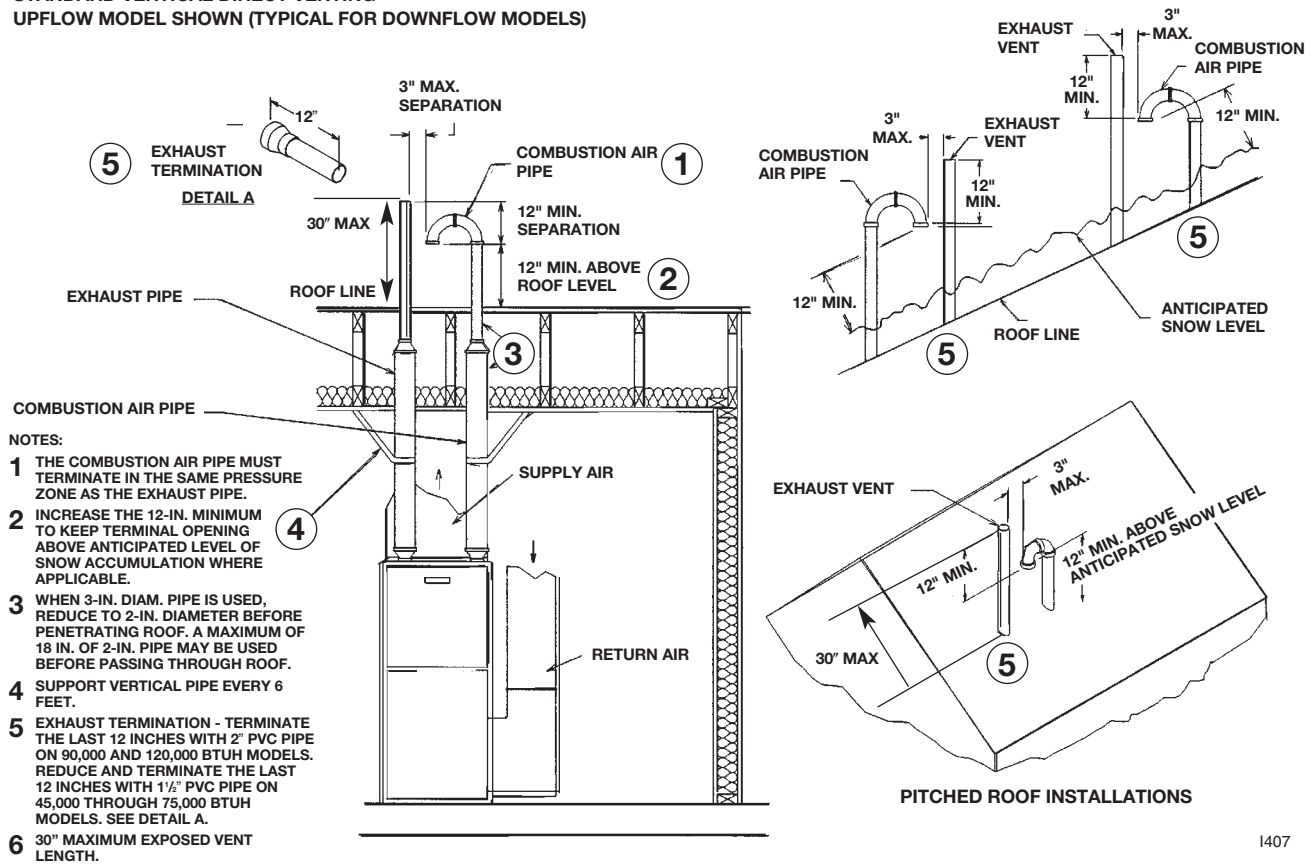


FIGURE 21
STANDARD HORIZONTAL DIRECT VENTING
UPFLOW MODEL SHOWN (TYPICAL FOR DOWNFLOW MODELS)

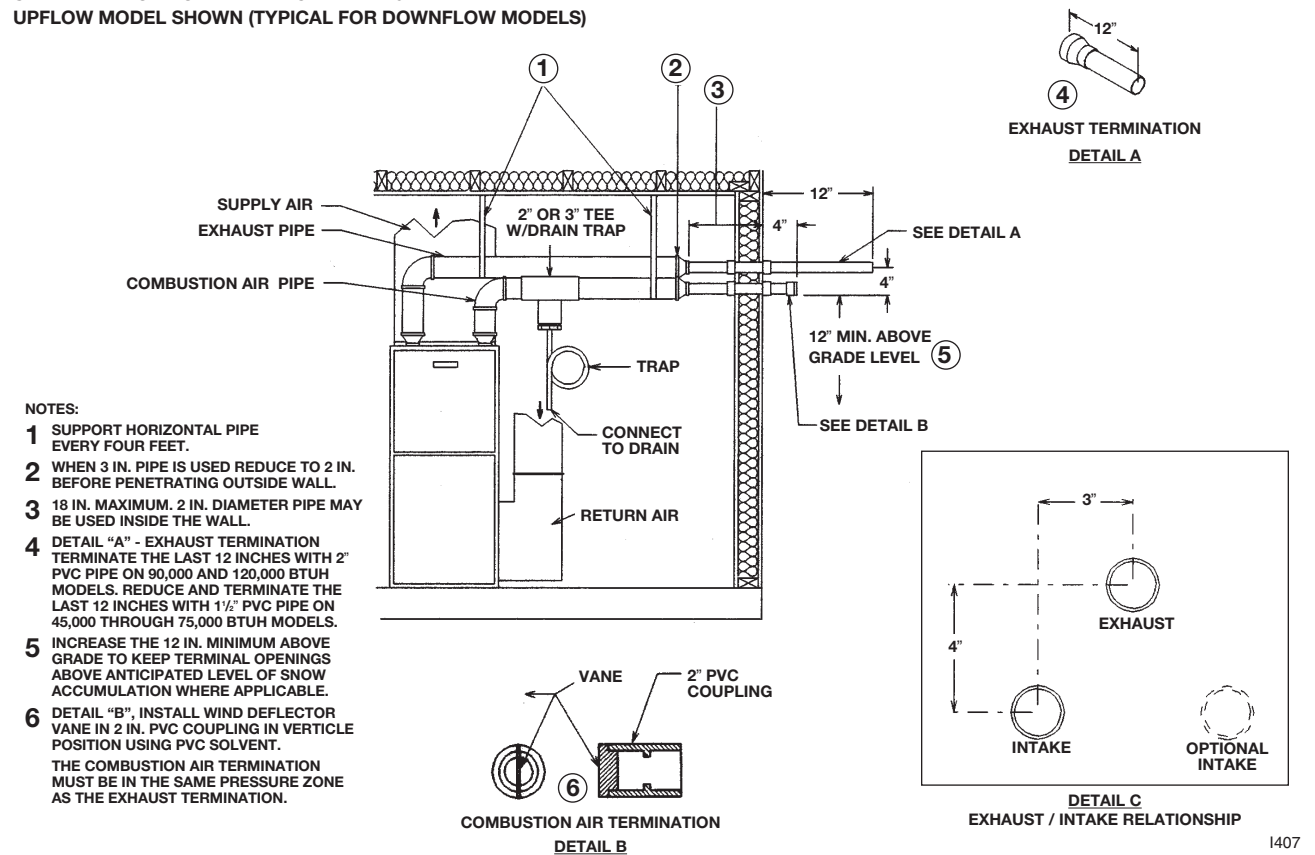
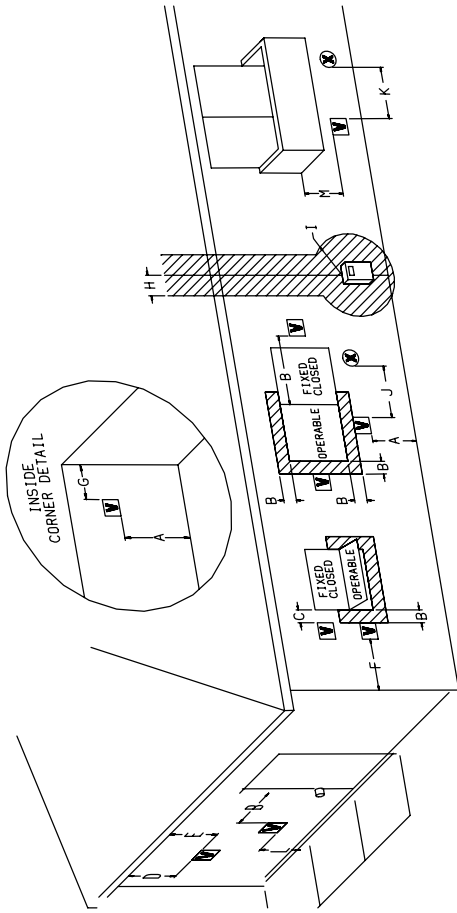


FIGURE 22
DIRECT VENT TERMINAL CLEARANCES[≤]



| | Canadian Installations ¹ 12 inches (30 cm) | US Installations ² 12 inches (30 cm) | Canadian Installations ¹ 6 inches (15 cm) for appliances ≤10,000 BTUH (3 kW), 12 inches (30 cm) for appliances >10,000 BTUH (3 kW) and ≤100,000 BTUH (30 kW), 36 inches (91 cm) for appliances >100,000 BTUH (30 kW) | US Installations ² 6 inches (15 cm) for appliances ≤10,000 BTUH (3 kW), 9 inches (23 cm) for appliances >10,000 BTUH (3 kW) and ≤50,000 BTUH (15 kW), 12 inches (30 cm) for appliances >50,000 BTUH (15 kW) |
|---|---|--|--|---|
| A= Clearance above grade, veranda, porch, deck, or balcony | * | * | J= Clearance to nonmechanical air supply inlet to building or the combustion air inlet to any other appliance | |
| B= Clearance to window or door that may be opened | * | 6 inches (15 cm) for appliances ≤10,000 BTUH (3 kW), 9 inches (23 cm) for appliances >10,000 BTUH (3 kW) and ≤50,000 BTUH (15 kW), 12 inches (30 cm) for appliances >50,000 BTUH (15 kW) | K= Clearance to a mechanical air supply inlet | 6 inches (15 cm) for appliances ≤10,000 BTUH (3 kW), 9 inches (23 cm) for appliances >10,000 BTUH (3 kW) and ≤50,000 BTUH (15 kW), 12 inches (30 cm) for appliances >50,000 BTUH (15 kW) |
| C= Clearance to permanently closed window | * | * | L= Clearance above paved sidewalk or paved driveway located on public property | 3 feet (91 cm) above if within 10 feet (3 m) horizontally |
| D= Vertical clearance to ventilated soffit located above the terminal within a horizontal distance of 2 feet (61 cm) from the center line of the terminal | * | * | M= Clearance under veranda, porch, deck, or balcony | * |
| E= Clearance to unventilated soffit | * | * | | |
| F= Clearance to outside corner | * | * | | |
| G= Clearance to inside corner | * | * | | |
| H= Clearance to each side of center line extended above meter/regulator assembly | 3 feet (91 cm) within a height 15 feet above the meter/regulator assembly | * | | |
| I= Clearance to service regulator vent outlet | 3 feet (1.83 m) | * | | |

¹ In accordance with the current CSA B149.1 *Natural Gas and Propane Installation Code*
² In accordance with the current ANSI Z223.1 / NFPA 54 *National Fuel Gas Code*
 † A vent shall not terminate directly above a sidewalk or paved driveway that is located between two single family dwellings and serves both dwellings.
 ‡ Permitted only if veranda, porch, deck, or balcony is fully open on a minimum of two sides beneath the floor.
 * For clearances not specified in ANSI Z223.1 / NFPA 54 or CAN/CGA-B149, one of the following shall be indicated:
 a) A reference to the following footnote:
 "Clearance in accordance with local installation codes, the requirements of the gas supplier and the manufacturer's installation instructions."

LOCATION REQUIREMENTS HORIZONTAL DIRECT VENTS

▲ CAUTION

THE COMBUSTION PRODUCTS AND MOISTURE IN THE FLUE GASES WILL CONDENSE AS THEY LEAVE THE TERMINATION. THE CONDENSATE CAN FREEZE ON THE EXTERIOR WALL, UNDER THE EAVES AND ON SURROUNDING OBJECTS. SOME DISCOLORATION TO THE EXTERIOR OF THE BUILDING IS TO BE EXPECTED. HOWEVER, IMPROPER LOCATION OR INSTALLATION CAN RESULT IN STRUCTURAL OR EXTERIOR FINISH DAMAGE TO THE BUILDING AND MAY RECIRCULATE PRODUCTS OF COMBUSTION INTO THE COMBUSTION AIR TERMINAL AND FREEZE.

The vent must be installed with the following minimum clearances. See Figures 22 & 23.

1. The bottom of the vent terminal and the air inlet shall be located at least 12 inches above grade. Increase the 12-in. minimum to keep the terminal openings above the level of snow accumulation, where applicable.
2. The vent shall not terminate over public walkways or over an area where condensate or vapor could create a nuisance or hazard.
3. The vent terminal shall be located at least one foot from any opening through which flue gases could enter a building.
4. The vent terminal shall be at least 3 feet above any forced air inlet located within 10 feet, except the combustion air inlet of a direct vent appliance.
5. The vent terminal shall have a minimum horizontal clearance of 4 feet from electric meters, gas meters, regulators and relief equipment.
6. Locate the furnace combustion air inlet minimum of 3 feet from the vent of any other gas or fuel burning appliance or clothes dryer to prevent recirculation of the flue gases into the furnace combustion air inlet. The only exception to this requirement is the case of multiventing two or more furnaces, which is covered in the section on multiventing in these instructions.

In addition to the minimum clearances listed above, the vent location should also be governed by the following guidelines.

1. **Do not terminate under any kind of patio or deck. If running the vent under a deck, insulate it to insure no condensate freezes and blocks the pipe.**
2. Do not terminate behind any area that may allow the flue products to become stagnant and recirculate.
3. Do not locate on the side of a building with prevailing winter winds. This will help prevent moisture from freezing on walls and overhangs (under eaves).
4. Do not extend vent directly through brick or masonry

5. Do not locate too close to shrubs as condensate may stunt or kill them.
6. Minimum vertical clearances of 1 foot are recommended for overhangs up to 1 foot horizontal. The vertical clearance should be increased equally for each additional increase in horizontal overhang to a maximum vertical clearance of 6 feet.
7. Caulk all cracks, seams and joints within 6 feet horizontally and above and below vent. See Figure 23.

**FIGURE 23
MOISTURE ZONES**

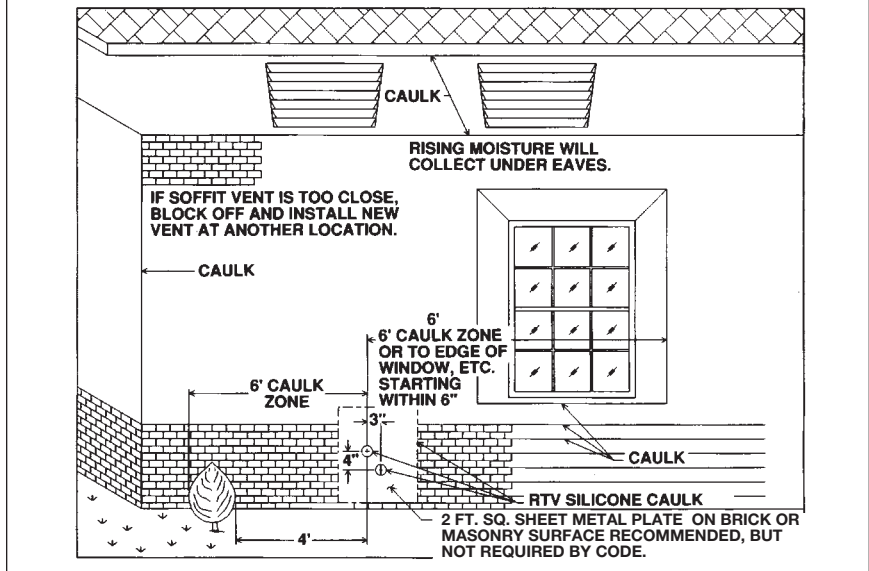


FIGURE 24
TWO FURNACE VENTING THROUGH ROOF

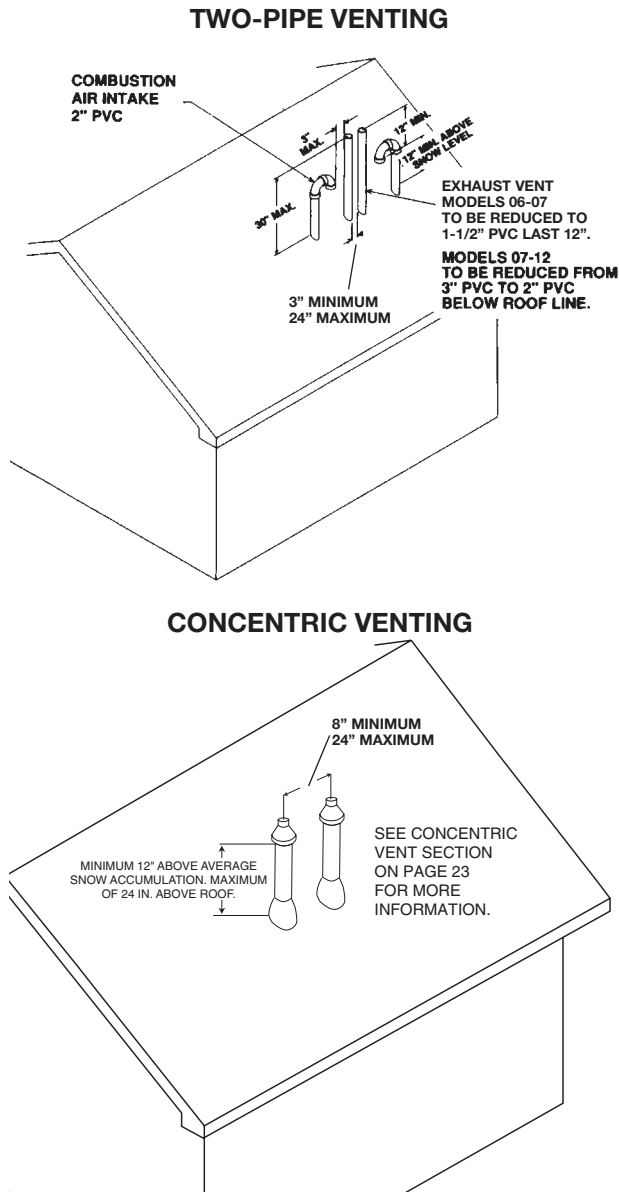
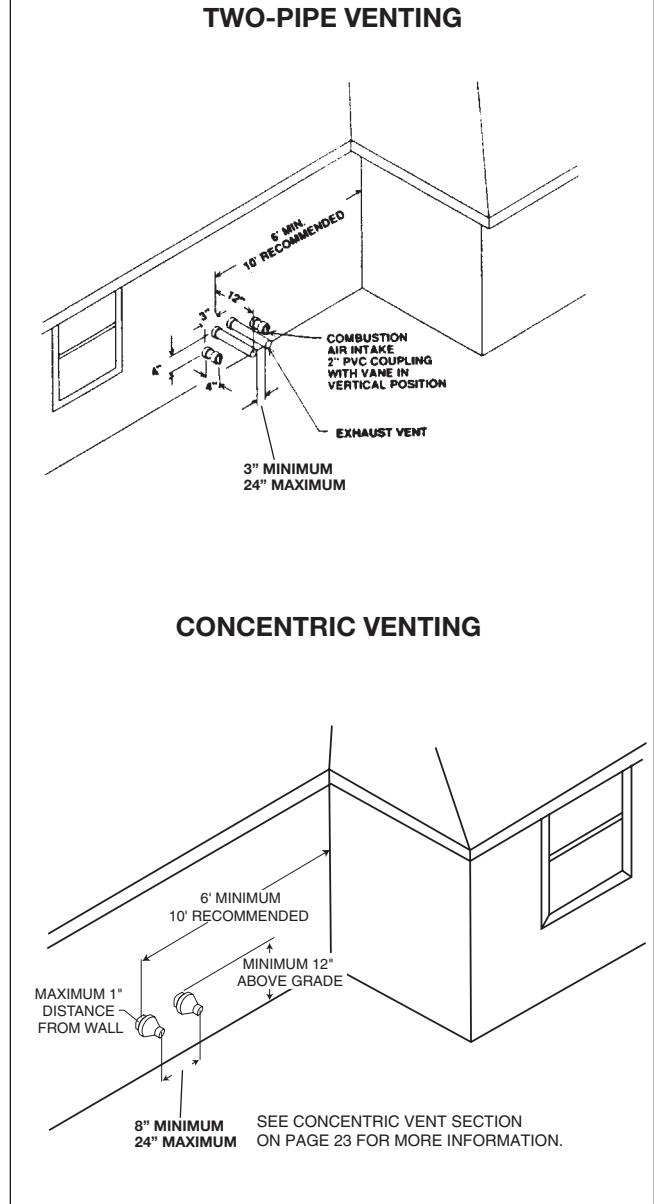


FIGURE 25
TWO FURNACE VENTING THROUGH WALL



8. Painted surfaces must be sound and in good condition with no cracking, peeling, etc. Painted surfaces will require maintenance.
9. Do not expose 3" x 2" reducer/bushing to outdoor ambient temperatures.

MULTIVENTING

IF VENTING TWO OR MORE FURNACES NEAR EACH OTHER IS REQUIRED, EACH FURNACE MUST BE INDIVIDUALLY VENTED – NO COMMON VENTING IS PERMITTED.

See Figures 24 and 25 for positioning of the terminations. When more than two furnaces are to be vented, there must be at least 4 feet between the first two furnaces and the third, etc.

RXGY-G02 SIDE WALL VENT

This termination for horizontal venting only.

IMPORTANT: Do not install on the prevailing winter wind side of the structure. Observe same clearances specified for horizontal, standard termination.

NOTE: Multi-venting-No common venting.

NOTE: Install the vent and air intake piping into the vent plate openings. Seal all gaps between the pipes and wall. **Be Sure To Use Silicone Sealant** to seal the vent pipe to the vent cap to permit field disassembly for annual inspection and cleaning. Also seal all pipe penetrations in wall. To prevent possibility of condensate freeze-up or recirculation, **do not install vent kits one above the other.**

NOTE: The vent illustration in Figure 27 can be used for Non-direct vent terminations also.

FIGURE 26
VENT KIT INSTALLATION OPTIONS

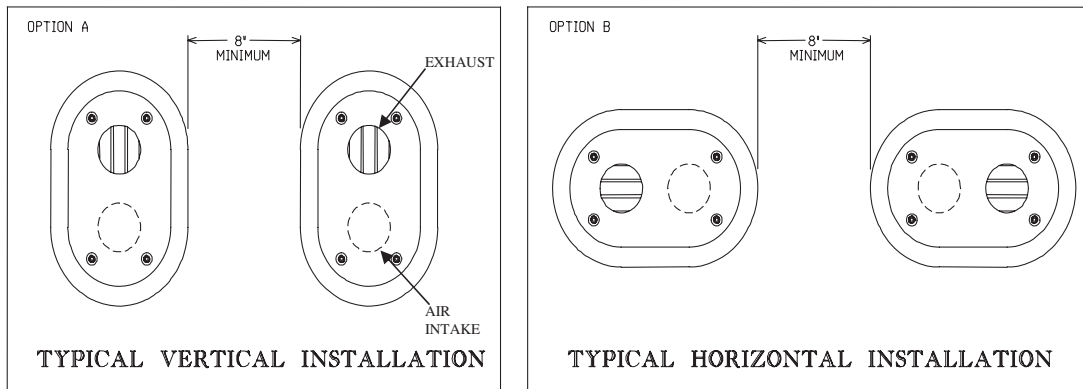
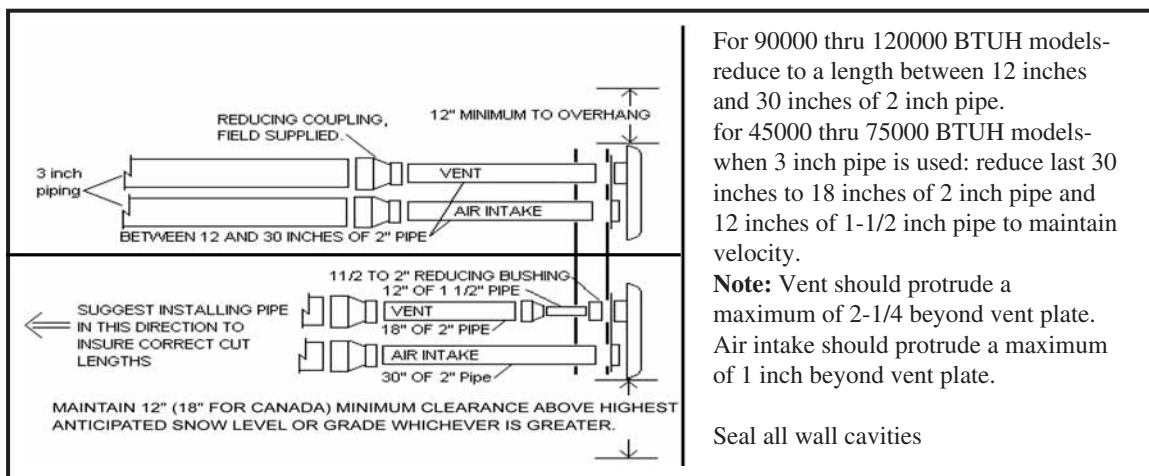


FIGURE 27
VENT KIT INSTALLATION OPTIONS



CONNECTING TO FURNACE

IMPORTANT: Clean and deburr all pipe cuts. The shavings must not be allowed to block the exhaust, inlet or condensate drain pipes.

UPFLOW FURNACE

The exhaust pipe connection is a 2-in. female PVC pipe fitting extending through the left side of the furnace top plate. This opening has a protective cap which should be removed just prior to installing the exhaust pipe. When 2-in. pipe is used, connect it directly to this fitting. When 3-in. pipe is used, connect a 2 to 3-in. coupling to this fitting with a short piece of 2-in. PVC pipe.

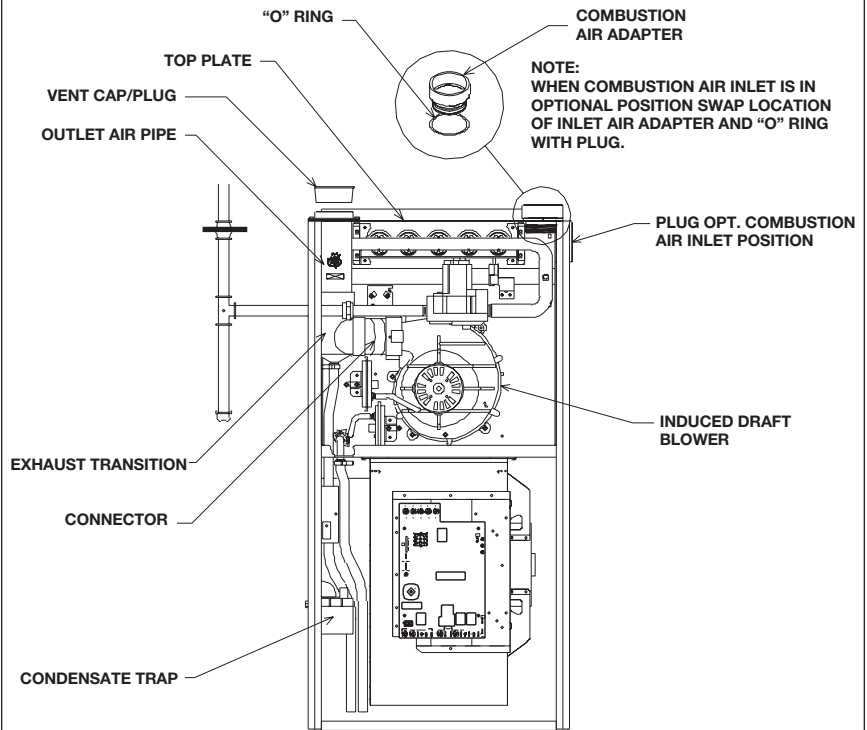
The inlet combustion air connection is at the right side of the top plate. An alternate combustion inlet air connection may be made on the right side of the jacket. This opening has a plastic cap. A combustion inlet air connection fitting is supplied with the furnace and it must be installed in the furnace by screwing it into the opening. Make sure the rubber "O-ring" supplied with the furnace is used with this fitting. See Figure 28.

DOWNFLOW/HORIZONTAL FURNACE

The exhaust pipe connection is a 2-in. upflow only PVC pipe fitting extending through the right side of the furnace top cover. This opening has a protective cap which should be removed just prior to installing the exhaust pipe. When 2-in. pipe is used, connect it directly to this fitting. When 3-in. pipe is used, connect with a 2- to 3-in. coupling directly to the 2-in. pipe.

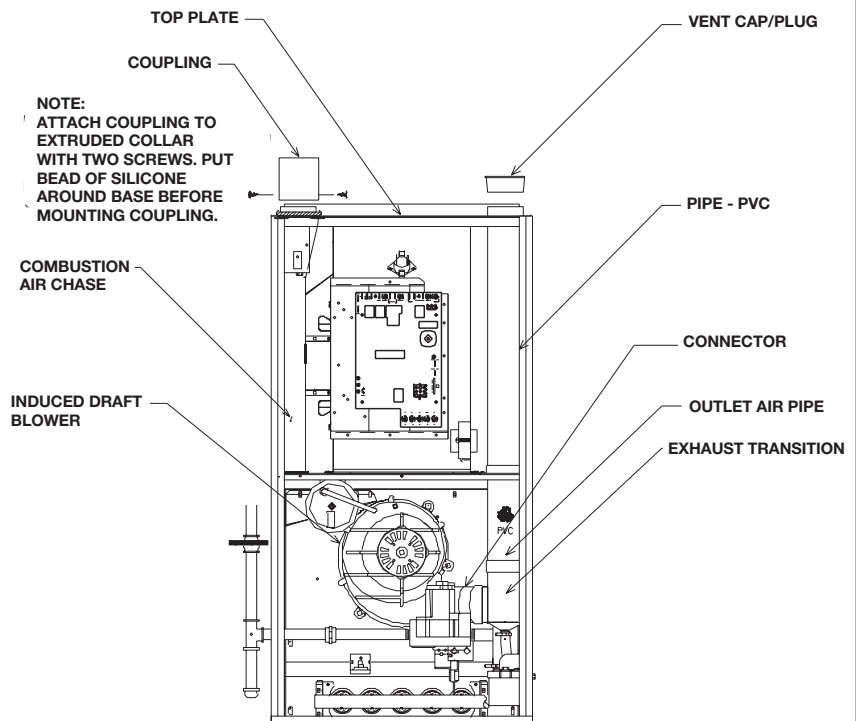
The combustion inlet air connection is a 2-in. extruded hole on the left side of the top plate. When a 2-in. pipe is used, attach a 2-in. PVC coupling over this hole with RTV sealant and also add two sheet metal screws through the coupling into the extrusion to secure it in place, and add the required piping. When 3-in. pipe is required, use a 2- to 3-in. coupling and add the required piping. See Figure 29.

FIGURE 28
UPFLOW COMBUSTION AIR AND VENT PIPE CONNECTION



1329

FIGURE 29
DOWNFLOW/HORIZONTAL COMBUSTION AIR AND VENT PIPE CONNECTION



1329

CONDENSATE DRAIN/NEUTRALIZER

GENERAL INFORMATION

▲ CAUTION

DO NOT RUN DRAIN OUTDOORS. FREEZING OF CONDENSATE CAN CAUSE PROPERTY DAMAGE.

IMPORTANT: Do not connect into a common drain line with an air conditioner evaporator coil drain located below the furnace. A blocked or restricted drain line can result in overflow of the coil pan and negate the furnace blocked drain shutoff control.

FILL TRAP ASSEMBLY WITH WATER BEFORE OPERATING THE FURNACE. This can be done by removing the drain hose from the trap and pouring about a cup of water into the vent trap. Water will flow into the house drain when the trap is full.

If local codes require, install a condensate neutralizer cartridge in the drain line. Install cartridge in horizontal position only. Also install an overflow line if routing to a floor drain. See Figures 30 and 31.

If no floor drain is available, install a condensate pump that is resistant to acidic water. Pumps are available from your local distributor. If pump used is not resistant to acidic water, a condensate neutralizer must be used ahead of the pump. The condensate pump must have an auxiliary safety switch to prevent operation of the furnace and resulting overflow of condensate in the event of pump failure. The safety switch must be wired through the "R" circuit only (low voltage) to provide operation in either heating or cooling modes.

UPFLOW MODELS

The condensate drain trap is located in the blower compartment on the left-hand side of the jacket. A short piece of 1/2-in. PVC pipe and a 1/2-in. tee are provided. Connect the 1/2-in. pipe to the elbow on the trap and the tee to this pipe so that the open end is upward. Run a drain tube from the bottom of the tee to a floor drain or condensate pump.

IMPORTANT: If installing the unit over a finished ceiling or living area, be certain to install an auxiliary condensate drain pan under the entire unit extending out under the condensate tee.

IMPORTANT: There are two options when choosing a height for the condensate riser:

CONDENSATE OVERFLOW: With a 5 1/2 inch riser installed above the tee, a blocked drain will result in overflow from the riser.

FURNACE SHUTDOWN: To cause the furnace to shut down when a blocked

drain is present, install a riser which is a minimum of 10 13/16". If the furnace is installed in an attic, crawlspace or other area where freezing temperatures may occur, the furnace drain can freeze while shut off for long periods of time.

Use a solvent cement that is compatible with PVC material. Cut the drain hoses to the appropriate length and connect to the trap with hose clamps. Tighten the clamps with pliers and check for leaks after attaching.

DOWNFLOW MODELS

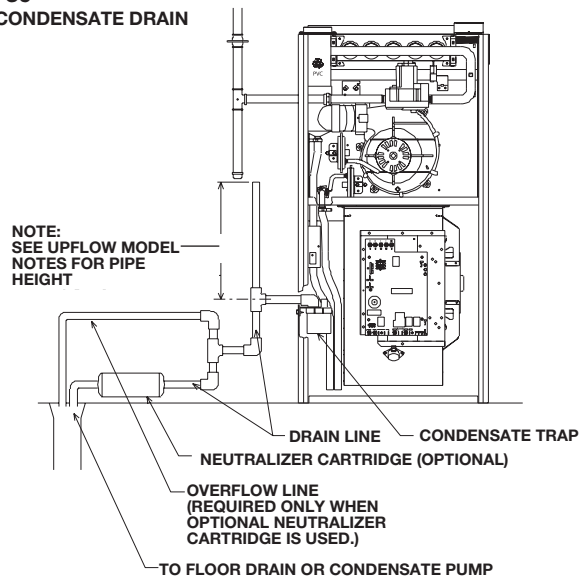
IMPORTANT: There are two options when choosing a height for the condensate riser:

CONDENSATE OVERFLOW: With a 1 3/4 inch riser installed above the tee, a blocked drain will result in overflow from the riser.

FURNACE SHUTDOWN: To cause the furnace to shut down when a blocked drain is present, install a riser which is a minimum of 5 1/2". If the furnace is installed in an attic, crawlspace or other area where freezing temperatures may occur, the furnace drain can freeze while shut off for long periods of time.

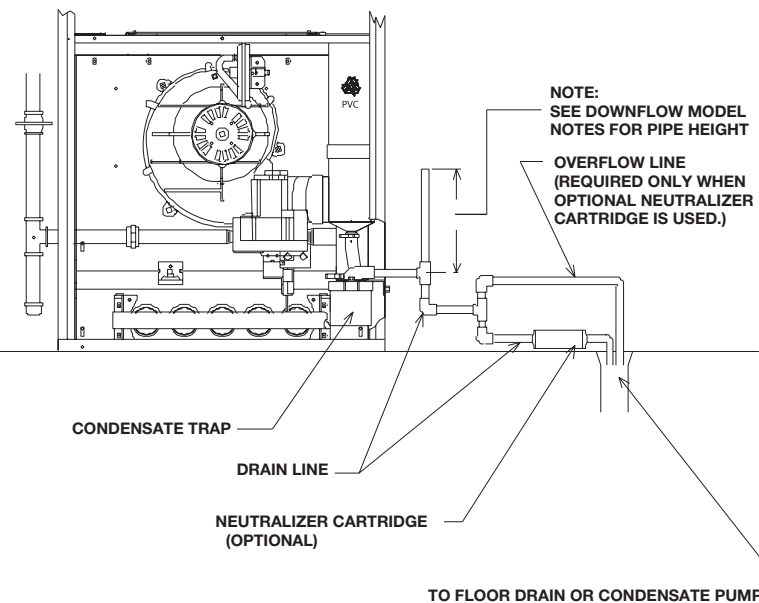
Use a solvent cement that is compatible with PVC material.

FIGURE 30
UPFLOW CONDENSATE DRAIN



1408

FIGURE 31
DOWNFLOW CONDENSATE DRAIN



1408

REVERSING THE TRAP

UPFLOW UNITS

The trap may be moved to the right side for right side drainage. Open the knockout for the drain on the right side of the cabinet. Remove the bracket holding the trap from the left side. Seal the left side drain hole with a plug provided in the cloth bag with the furnace. Position the mounting bracket and trap so that the drain elbow is centered in the hole on the right. See Figure 32.

Drill two holes in the cabinet to mount the bracket. Mount the trap and bracket to the right side with the drain elbow pointing through the knockout. Connect the 1/2-in. pipe and tee as noted above. Route the drain hoses behind the control box, cut to the appropriate length, and connect to the trap with hose clamps.

IMPORTANT: DO NOT ALLOW ANY SAGS OR KINKS IN THE HOSES. This prevents proper condensate flow.

IMPORTANT: Do not connect into a common drain line with an air conditioner evaporator coil drain located above the furnace. A blocked or restricted drain line can result in overflow of the coil pan and negate the furnace blocked drain shutoff control.

DOWNFLOW UNITS

To convert to left side drainage, first remove the drainage hoses from the trap. Remove the trap from its mounting bracket, rotate it 180°, and mount in place with the drainage elbow pointing to the left. Reattach the drain hoses. Remove the plastic drainage knockout from the left side. See Figure 33.

IMPORTANT: When changing to the left side, interchange the rubber bushing on the right side with the hole plug on the left side. The hole plug must be in place to assure that the control compartment is sealed.

As of September 2, 2006, to convert downflow models to left-hand drain, a kit (RXGY-H01) must be ordered from the distributor. The kit includes a 24" piece of 1/2" black PVC pipe, a 2" rubber grommet, a 1-5/8" plug and instructions. Note the location of the alternate drain hole as shown in Figure 33.

To convert to left side drainage, first remove the drainage hoses from the trap. Remove the trap from its mounting bracket, rotate it 180 degrees and mount in place with the

drainage elbow pointing to the left. Reattach the drain hoses.

Remove the plug from the 2" alternate drain hole (see Figure 33) and replace it with the 2" rubber grommet supplied in the RXGY-H01 downflow alternate drain kit. Also, remove the 1-5/8" grommet supplied in the primary drain hole and replace it with the 1-5/8" diameter plug that is also supplied in the RXGY-H01 downflow alternate drain kit. Both the hole-plug and grommet must be in place to insure a good seal in the burner compartment.

A length of 1/2" black PVC pipe is also provided in the RXGY-H01 downflow alternate drain kit. Glue one end of the pipe to the elbow in the trap. Cut the pipe so that it extends through the alternate drain hole in the left side of the cabinet one inch (see Figure 33). Connect the 1/2" PVC tee (supplied with the furnace) to the pipe with a 1-

3/4" riser. Use the 1-5/8" plug supplied in the RXGY-H01 downflow alternate drain kit to seal the right side drainage hole.

IMPORTANT: Do not connect into a common drain line with an air conditioner evaporator coil drain located above the furnace. A blocked or restricted drain line can result in overflow of the coil pan and negate the furnace blocked-drain shutoff control.

FILLING THE TRAP

FILL THE TRAP ASSEMBLY WITH WATER BEFORE OPERATING THE FURNACE. Do this by removing the drain hose from the trap or from the connection to the secondary coil. Pour about a cup of water into the vent trap. Any excess water flows into the house drain when the trap is full.

FIGURE 32
UPFLOW OPPOSITE SIDE CONDENSATE TRAP CONNECTION

PROPER DRAIN SLOPE REQUIRED
(NO KINKS ALLOWED)

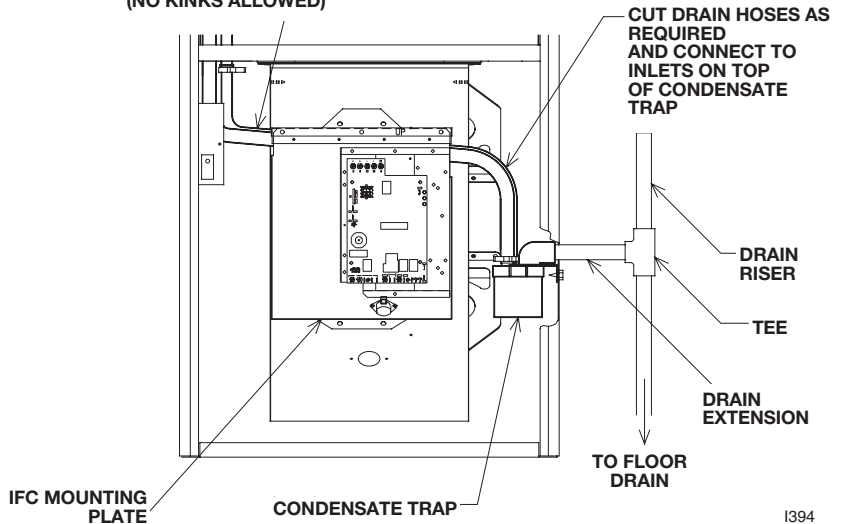
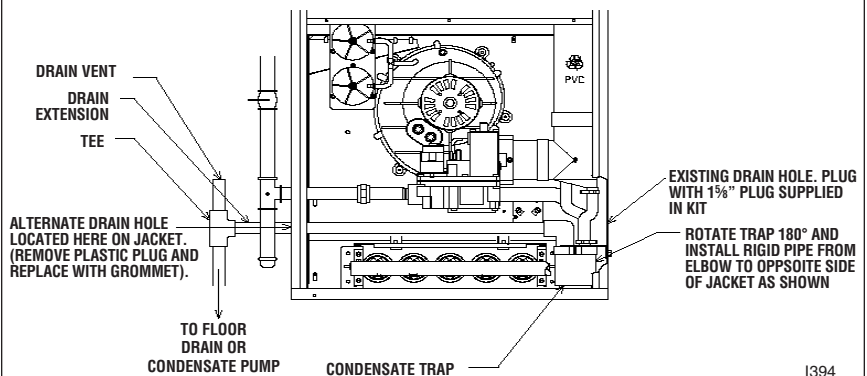


FIGURE 33
DOWNFLOW OPPOSITE SIDE CONDENSATE TRAP CONNECTION



CONVERTING DOWNFLOW TO HORIZONTAL

CONDENSATE DRAIN FOR HORIZONTAL INSTALLATION

Refer to Figure 35 for Steps 1-5.

1. This unit is shipped factory ready for downflow installation. The condensate trap assembly and drain hoses require conversion for horizontal installation. Remove the existing condensate trap with the unit in the upright position.
IMPORTANT: This furnace may only be installed so that when facing the front of the furnace, supply air is discharged on the left hand side.
2. Remove the burner compartment door from the unit.
3. Remove the two screws from the right side of the furnace jacket which support the trap mounting bracket ②. Remove the two plastic plugs on either side of the trap outlet hole and discard.
4. Remove the (L-shaped) clear vinyl drain tube ③ from the top of the existing trap ①.
Do not disconnect the short end from the furnace collector box.
5. Remove the ribbed drain tube ④ from the existing trap ① and the exhaust transition ⑤. Discard this tube. Retain the clamps for future use. Additional clamps are provided in the parts bag if any clamps are damaged during conversion process.

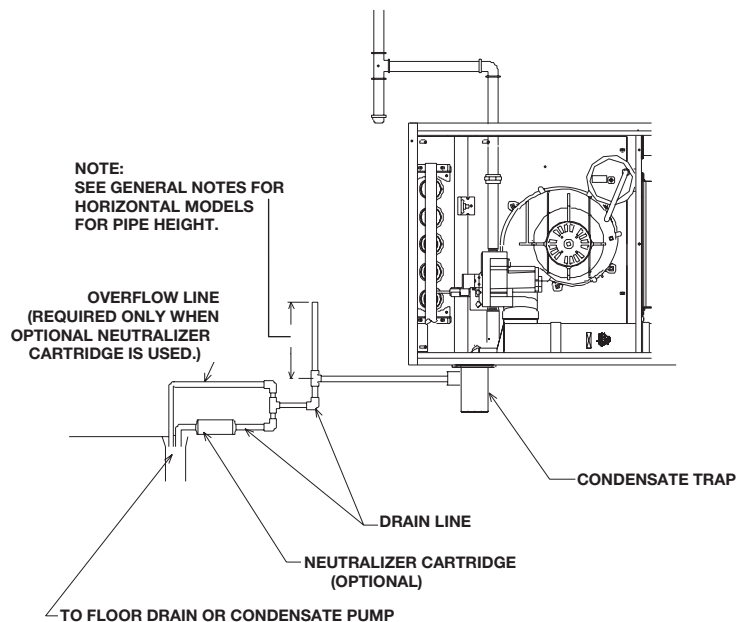
NOTE: The following steps should take place with the furnace in the horizontal position.

Refer to Figure 36 for Steps 6-11.

6. Locate the parts bag in the burner compartment. Install two plastic plugs ⑥ in the side of the jacket from bottom side up.
7. Fill the trap assembly ⑦ with 1/2 cup of water.

8. Attach the gasket ⑧ onto the trap assembly so that the gasket holes on the gasket line up with the holes on the trap assembly.
9. Insert the trap assembly with gasket up through the existing hole in the jacket and secure from inside the jacket. Use two screws provided. Screw down into the two "ears" molded into either side of the trap. Snug the trap assembly against the furnace jacket compressing the gasket slightly to eliminate any air leaks. Do not overtighten!
10. Attach the black molded rubber 90° elbow ⑨ to the straight spout on the trap top using a black nylon clamp ⑩. Attach the other end of the rubber elbow to the spout ⑪ located on the exhaust transition ⑤ using a black nylon clamp.
11. Attach the end of the ribbed tube ⑬ to the 45° elbow molded into the top of the trap assembly using a black nylon clamp.
IMPORTANT: Tighten all clamp connections with a pair of pliers and check for leaks after conversion is complete.
12. **IMPORTANT:** There are two options when choosing a height for the condensate riser:
CONDENSATE OVERFLOW: With a 1¾ inch riser installed above the tee, a blocked drain will result in overflow from the riser.
FURNACE SHUTDOWN: To cause the furnace to shut down when a blocked drain is present, install a riser which is a minimum of 5½". If the furnace is installed in an attic, crawlspace or other area where freezing temperatures may occur, the furnace drain can freeze while shut off for long periods of time.
Use a solvent cement that is compatible with PVC material.

FIGURE 34
HORIZONTAL CONDENSATE DRAIN



1408

CONDENSATE TRAP CONVERSION FROM DOWNFLOW TO HORIZONTAL INSTALLATION

FIGURE 35
UPRIGHT POSITION: REMOVAL OF EXISTING DOWNFLOW CONDENSATE TRAP

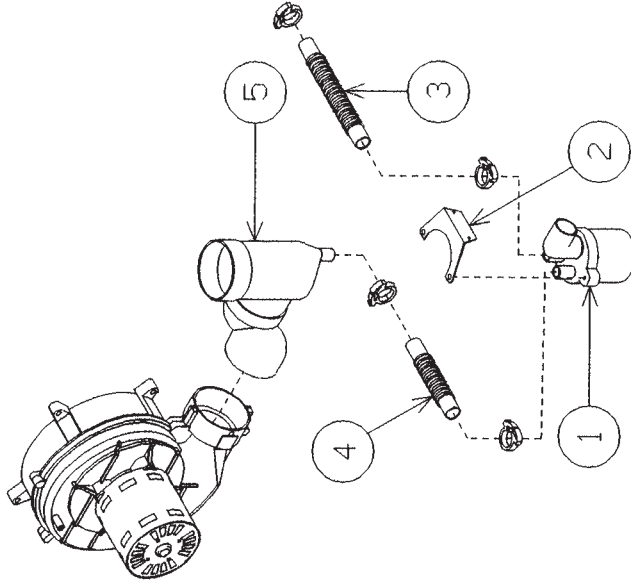
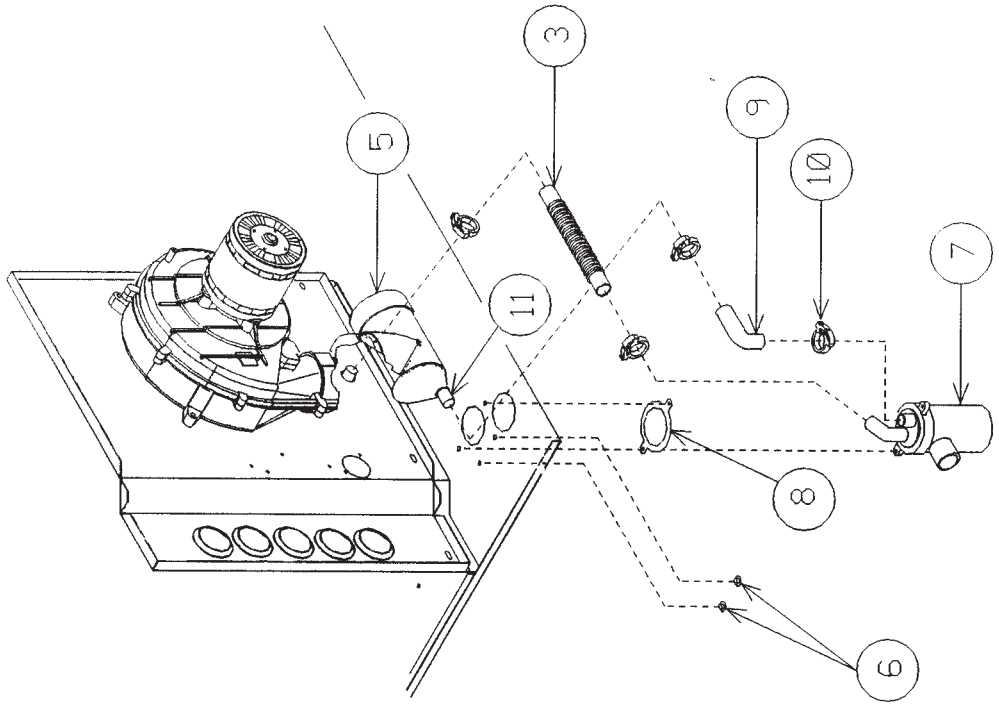


FIGURE 36
HORIZONTAL POSITION: CONDENSATE TRAP INSTALLATION FOR HORIZONTAL OPERATION



GAS SUPPLY AND PIPING

GAS SUPPLY

▲ WARNING

THIS FURNACE IS EQUIPPED AT THE FACTORY FOR USE ON NATURAL GAS ONLY. CONVERSION TO LP GAS REQUIRES A SPECIAL KIT SUPPLIED BY THE DISTRIBUTOR OR MANUFACTURER. MAILING ADDRESS IS LISTED ON THE WARRANTY. FAILURE TO USE THE PROPER CONVERSION KIT CAN CAUSE FIRE, CARBON MONOXIDE POISONING, EXPLOSION, PROPERTY DAMAGE, PERSONAL INJURY OR DEATH. See the conversion kit index supplied with the furnace. This index identifies the proper LP Gas Conversion Kit required for each particular furnace.

IMPORTANT: Any additions, changes or conversions required for the furnace to satisfactorily meet the application should be made by a qualified installer, service agency or the gas supplier, using factory-specified or approved parts.

IMPORTANT: Connect this furnace only to gas supplied by a commercial utility.

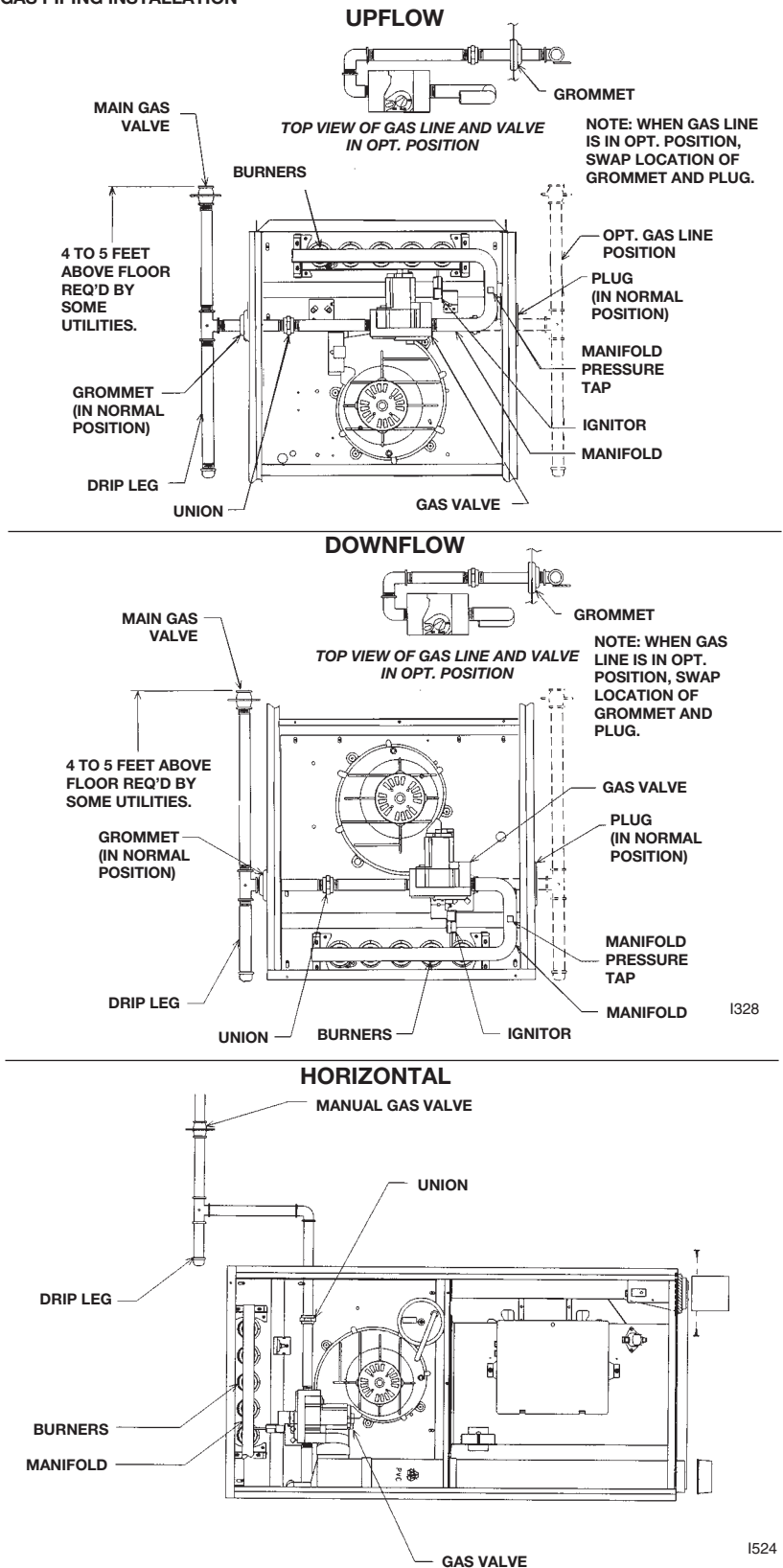
IMPORTANT: A U.L. recognized fuel gas and carbon monoxide detector(s) are recommended in all applications, and their installation should be in accordance with the manufacturer's recommendations and/or local laws, rules, regulations or customs.

GAS PIPING

Install the gas piping according to all local codes and regulations of the utility company.

If possible, run a separate gas supply line directly from the meter to the furnace. Consult the local gas company for the location of the manual main shut-off valve. **The gas line and manual gas valve must be adequate in size to prevent undue pressure drop and never smaller than the pipe size to the combination gas valve on the furnace.** Refer to Table 3 for the recommended gas pipe size. See Figure 37 for typical gas pipe connections.

FIGURE 37
GAS PIPING INSTALLATION



IMPORTANT: DO NOT RUN A FLEXIBLE GAS CONNECTOR INSIDE THE UNIT. Extend the 1/2" black pipe from the gas valve to the outside of the cabinet. Connect any flexible gas connector from there to the gas piping.

Install a ground joint union inside the cabinet to easily remove the control valve assembly. Install a manual shut-off valve in the gas line outside the furnace casing.

The T-valve should be readily accessible to turn the gas supply on or off. Install a drip leg in the gas supply line as close to the furnace as possible. Always use a pipe compound resistant to the action of liquefied petroleum gases on all threaded connections.

IMPORTANT: When making gas pipe connections, use a back-up wrench to prevent any twisting of the control assembly and gas valve.

Any strains on the gas valve can change the position of the gas orifices in the burners. This can cause erratic furnace operation.

IMPORTANT: Do not run a flexible gas connector inside the unit. If local codes allow the use of a flexible gas appliance connector, always use a new listed connector. Do not use a connector which has previously serviced another gas appliance. Massachusetts law requires that all flexible connectors be less than 36".

The gas pipe gasket in the cabinet does not seal around a flexible gas connector. **It is important to have all openings in the cabinet burner compartment sealed for proper furnace operation.**

IMPORTANT: ENSURE that the furnace gas control valve not be subjected to high gas line supply pressures.

DISCONNECT the furnace and its individual shut-off valve from the gas supply piping during **any pressure testing that exceeds 1/2 PSIG. (3.48 kPa).**

GAS PRESSURE

Natural gas supply pressure should be 5" to 10.5" w.c. LP gas supply pressure should be 11" to 13" w.c. This pressure must be maintained with all other gas-fired appliances in operation.

▲ CAUTION

ELEVATIONS ABOVE 2000 FT REQUIRE THAT THE FURNACE INPUT RATING BE ADJUSTED AND THAT THE SIZE OF THE BURNER ORIFICES BE RE-CALCULATED BASED ON ELEVATION AND GAS HEATING VALUE. THE BURNER ORIFICES MAY (OR MAY NOT) NEED TO BE CHANGED. SEE THE SECTION TITLED "HIGH ALTITUDE INSTALLATIONS" OF THIS BOOK FOR INSTRUCTIONS.

The minimum supply pressure to the gas valve for proper furnace input adjustments is 5" w.c. for natural gas,

TABLE 3
NATURAL GAS PIPE CAPACITY TABLE (CU. FT./HR.)

Capacity of gas pipe of different diameters and lengths in cu. ft. per hr. with pressure drop of 0.3 in. and specific gravity of 0.60 (natural gas).

| Nominal Iron Pipe Size, Inches | Length of Pipe, Feet | | | | | | | |
|--------------------------------|----------------------|-------|-----|-----|-----|-----|-----|-----|
| | 10 | 20 | 30 | 40 | 50 | 60 | 70 | 80 |
| 1/2 | 132 | 92 | 73 | 63 | 56 | 50 | 46 | 43 |
| 3/4 | 278 | 190 | 152 | 130 | 115 | 105 | 96 | 90 |
| 1 | 520 | 350 | 285 | 245 | 215 | 195 | 180 | 170 |
| 1-1/4 | 1,050 | 730 | 590 | 500 | 440 | 400 | 370 | 350 |
| 1-1/2 | 1,600 | 1,100 | 890 | 760 | 670 | 610 | 560 | 530 |

After the length of pipe has been determined, select the pipe size which will provide the minimum cubic feet per hour required for the gas input rating of the furnace. By formula:

$$\text{Cu. Ft. Per Hr. Required} = \frac{\text{Gas Input of Furnace (BTU/HR)}}{\text{Heating Value of Gas (BTU/FT}^3\text{)}}$$

The gas input of the furnace is marked on the furnace rating plate. The heating value of the gas (BTU/FT³) may be determined by consulting the local natural gas utility or the LP gas supplier.

however 6" to 7" is recommended. The minimum supply pressure is 11" w.c. for LP gas.

▲ WARNING

NEVER PURGE A GAS LINE INTO THE COMBUSTION CHAMBER. NEVER USE MATCHES, FLAME OR ANY IGNITION SOURCE FOR CHECKING LEAKAGE. FAILURE TO ADHERE TO THIS WARNING CAN CAUSE A FIRE OR EXPLOSION RESULTING IN PROPERTY DAMAGE, PERSONAL INJURY OR DEATH.

To check for gas leakage, use an approved chloride-free soap and water solution, an electronic combustible gas detector (see Figure 38), or other approved method.

GAS VALVE

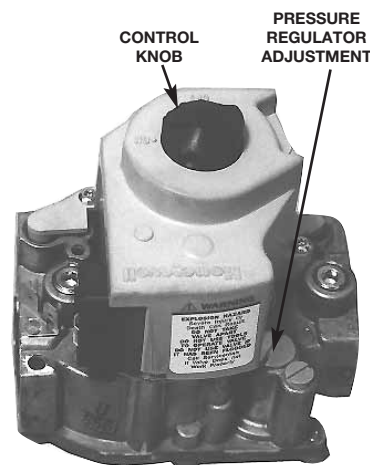
This furnace has a 24-volt operated valve. It has ports for measuring supply pressure and manifold pressure. The valve body contains a

pressure regulator to maintain proper manifold pressure.

A manual control is on the valve body. It can be set to only the "ON" or "OFF" positions. The gas valve is a slow-opening valve. See Figure 39.

When energized, it takes 6 to 8 seconds to fully open.

FIGURE 39
TYPICAL GAS VALVES
HONEYWELL



ROBERTSHAW
CONTROL KNOB



FIGURE 38
ELECTRONIC COMBUSTIBLE GAS DETECTOR



LP CONVERSION

NOTE: See Page 47 for Canadian High-Altitude Derate

IMPORTANT: LP gas from trucks used to transport liquid-based fertilizers can contain chemicals that will damage the furnace. Verify that your gas supplier does not use the same trucks to transport materials other than LP.

The valve can be converted to use liquified petroleum (LP) gas by replacing the pressure regulator spring with the conversion kit spring. This LP kit spring allows the regulator to maintain the proper manifold pressure for LP gas.

NOTE: Order the correct LP conversion kit from the furnace manufacturer. Furnace conversion to LP gas must be performed by a qualified installer, service agency or the gas supplier.

ORIFICE INSTALLATION

LP Gas is a manufactured gas that has consistent heating value across most regions.

The NFGC guidelines are used with the following exception:

The recommended LP Gas high altitude orifice selections differ slightly in that the NFGC LP orifice chart, as they are not accurate for Rheem products. The National Fuel Gas Code LP orifices are based on an 11" of water column pressure at the orifice, which differs from Rheem products that use 10" of water column at the orifice. This difference requires a deviation from the NFGC orifice size recommendations. The Sea Level input should still be reduced by 4% per thousand ft. and the orifice size must be selected based on the reduced input selection chart below.

| Altitude | Input (per burner) 15000 | Orifice Size |
|---------------|--------------------------|-------------------|
| 0 to 2000 ft. | 15000 | 1.15 mm (factory) |
| 2000'-3000' | 13200 | 1.15 mm |
| 3000'-4000' | 12600 | 1.10 mm |
| 4000'-5000' | 12000 | #58 |
| 5000'-6000' | 11400 | #59 |
| 6000'-7000' | 10800 | #60 |
| 7000'-8000' | 10200 | #62 |
| 8000'-9000' | 9600 | #63 |
| 9000'-10000' | 9000 | #64 |

FIGURE 40
TYPICAL LP KIT CONTENTS



To change orifice spuds for either conversion to LP or for elevation:

1. Shut off the manual main gas valve and remove the gas manifold.
2. Replace the orifice spuds.
3. Reassemble in reverse order.
4. Turn the gas supply back on and check for proper operation and manifold pressure. See Figures 41, 42 and 43.
5. Attach the notice label alerting the next service technician that the furnace has been converted to LP gas.

ORIFICE ORDERING INFORMATION

Orifice sizes are selected by adding the 2-digit drill size required in the orifice part number. Drill sizes available are 39 through 64; metric sizes available 1.10mm (-90) and 1.15mm (-91):

Orifice Part Number 62-22175-(drill size)

Example 1:
#60 drill size orifice required
Part # 62-22175-60

Example 2:
1.15mm drill size orifice required
Part # 62-22175-91

90+ HIGH ALTITUDE INSTRUCTIONS

-GRA/-GTA/-GRB HIGH ALTITUDE KITS

All -GRA/-GTA/-GRB models can be converted for high altitude use using the appropriate High Altitude Conversion Kits listed below. The kits can be ordered from the factory. The kit includes pressure switch(es) and instructions for converting the furnace for elevations above 5,000 ft. The kit should never be used at elevations below 5,000 ft. In addition, the kit instructions detail how to re-calculate burner orifice size based on gas heating value and elevation. The instructions are based on a required 4% per thousand feet reduction in input as specified by the *National Fuel Gas Code* (NFGC). Specific orifices should always be recalculated for all high altitude installations as outlined below. Orifices should be changed, if necessary, based on gas heating value and elevation.

| High Altitude Kit | (-)GTA, (-)GRA & (-)GRB |
|-------------------|-------------------------|
| RXGY-F04 | 105,000 BTU's |
| RXGY-F05 | 120,000 |
| RXGY-F06 | 45,000, 60,000 & 90,000 |
| RXGY-F07 | 75,000 |

-GRA/-GTA/-GRB -HIGH ALTITUDE OPTION #278

Some furnaces can be ordered from the factory already converted for high altitude elevations. The factory option for high altitude elevations would be ordered as a 278 option (example: a 105k BTU upflow furnace which is factory converted for high altitude elevations would have the model number -GRA-10EZAJS278). These factory converted furnaces come with pressure switches for high-altitude elevations already attached. Also, different burner orifices are installed at the factory which are one drill size smaller (#51 DMS) than standard -GRA/-GTA/-GRB gas furnaces (#50 DMS). The smaller orifice is installed to accommodate for average heating values expected in most high altitude areas and a required 4% per thousand feet reduction in input as specified by the *National Fuel Gas Code* (NFGC). Specific orifices should always be recalculated for all high altitude installations as outlined below. Orifices should be changed, if necessary, based on gas heating value and elevation.

NATURAL GAS

▲ CAUTION

INSTALLATION OF THIS FURNACE AT ALTITUDES ABOVE 2000 FT (610 m) SHALL BE IN ACCORDANCE WITH LOCAL CODES, OR IN THE ABSENCE OF LOCAL CODES, THE NATIONAL FUEL GAS CODE, ANSI Z223.1/NFPA 54 OR NATIONAL STANDARD OF CANADA, NATURAL GAS AND PROPANE INSTALLATION CODE, CAN B149.1.

INSTALLATION OF THIS APPLIANCE AT OR ABOVE 5000 FT (1525 m) SHALL BE MADE IN ACCORDANCE WITH THE LISTED HIGH ALTITUDE CONVERSION KIT AVAILABLE WITH THIS FURNACE.

▲ CAUTION

ELEVATIONS ABOVE 2000 FT REQUIRE THAT THE FURNACE INPUT RATING BE ADJUSTED AND THAT THE SIZE OF THE BURNER ORIFICES BE RE-CALCULATED BASED ON ELEVATION AND GAS HEATING VALUE. THE BURNER ORIFICES MAY (OR MAY NOT) NEED TO BE CHANGED. THE FOLLOWING EXAMPLES SHOW HOW TO DETERMINE IF AN ORIFICE CHANGE WILL BE NECESSARY AND HOW TO DETERMINE THE NEW ORIFICE SIZE.

IN CANADA, AS AN ALTERNATE TO ADJUSTING THE BURNER ORIFICE SIZE, THE MANIFOLD GAS PRESSURE MAY BE ADJUSTED. THIS METHOD IS COVERED LATER IN THIS SECTION. THIS METHOD OF ADJUSTING MANIFOLD PRESSURE MAY ONLY BE USED IN CANADIAN INSTALLATIONS.

34" 90 Plus furnaces installed at high elevations require the installation of a high altitude kit for proper operation. The high altitude kit consists of a high altitude pressure switch that replaces the pressure switch attached to the induced draft blower. The kit also contains gas orifices for high altitude.

The pressure switch must be installed at elevations above 5000 ft. Elevations above 2000 ft. require the furnace to be de-rated 4% per thousand feet.

NOTE: Factory installed orifices are calculated and sized based on a sea level Natural Gas heating value of 1075 BTU per cubic ft. Regional reduced heating values may nullify the need to change orifices except at extreme altitudes.

The following are examples of orifice sizing using the National Fuel Gas Code Appendix F. For a simplified estimation of orifice size based on heating value and elevation, use Tables 5 and 6. However, calculations are the best method.

Example: 900 BTU/ft³ Regional Natural Gas Heating Value

$$I / H = Q$$

$$15000 / 900 = 16.68 \text{ ft.}^3$$

I = Sea Level input (per burner): 15000
 H = Sea Level Heating Value: 900
 Q = 16.68 ft³ Natural Gas per hour.

From Table F.1 of *National Fuel Gas Code Handbook, 2002* (3.5" w.c. column)
 Orifice required at Sea Level: #48

From Table F.4 of *National Fuel Gas Code Handbook, 2002*
 Orifice required at 5000 ft. elevation (4% de-rate per thousand ft.): #50
 Orifice required at 8000 ft. elevation (4% de-rate per thousand ft.): #51

Example: 1050 BTU/ft³ Regional Natural Gas Heating Value

$$I / H = Q$$

$$15000 / 1050 = 14.28 \text{ ft.}^3$$

I = Sea Level input (per burner): 15000
 H = Sea Level Heating Value: 1050
 Q = 14.28 ft³ Natural Gas per hour.

From Table F.1 of *National Fuel Gas Code Handbook, 2002* (3.5" w.c. column)
 Orifice required at Sea Level: #50

From Table F.4 of *National Fuel Gas Code Handbook, 2002*
 Orifice required at 5000 ft. elevation (4% de-rate per thousand ft.): #51
 Orifice required at 8000 ft. elevation (4% de-rate per thousand ft.): #52

TABLE 5

Natural Gas Orifice Drill Size (4% per 1000 ft. De-Rate)

IMPORTANT: 90 Plus Models only. Do not use this chart for any 80 Plus Models
 Burner Input (per burner) 15,000 BTU @ Sea Level

| Annual Avg. Heat Value (btu per ft ³) | Sea level to 1999 ft | 2000 to 2999 ft | 3000 to 3999 ft | 4000 to 4999 ft | 5000 to 5999 ft | 6000 to 6999 ft | 7000 to 7999 ft | 8000 to 8999 ft |
|---|----------------------|-----------------|-----------------|-----------------|-----------------|-----------------|-----------------|-----------------|
| 850 | 47 | 48 | 48 | 49 | 49 | 49 | 50 | 50 |
| 900 | 48 | 49 | 49 | 49 | 50 | 50 | 50 | 51 |
| 1000 | 49 | 50 | 50 | 50 | 51 | 51 | 51 | 52 |
| 1075 | 50 | 51 | 51 | 51 | 51 | 52 | 52 | 52 |
| 1170 | 51 | 51 | 52 | 52 | 52 | 53 | 53 | 53 |

SETTING GAS PRESSURE

The maximum gas supply pressure to the furnace should be 10.5" w.c. natural gas, or 13" w.c. LP gas. The minimum supply gas pressure to the gas valve should be 5" w.c. natural gas or 11" w.c. LP gas. A properly calibrated U-Tube manometer is required for accurate gas pressure measurements.

▲ CAUTION

ELEVATIONS ABOVE 2000 FT REQUIRE THAT THE FURNACE INPUT RATING BE ADJUSTED AND THAT THE SIZE OF THE BURNER ORIFICES BE RE-CALCULATED BASED ON ELEVATION AND GAS HEATING VALUE. THE BURNER ORIFICES MAY (OR MAY NOT) NEED TO BE CHANGED. SEE THE SECTION TITLED "HIGH ALTITUDE INSTALLATIONS" OF THIS BOOK FOR INSTRUCTIONS.

Supply Gas Pressure Measurement. A line pressure tap is on the input side of the gas valve. See Figure 40.

1. With gas shut off to the furnace at the manual gas valve outside the unit, remove the input pressure tap plug.
2. Connect a U-Tube manometer to the pressure tap.
3. Turn on the gas supply and operate the furnace and all other gas-fired units on the same gas line as the furnace.
4. Note or adjust the line gas pressure to give:
 - A. 5" - 10.5" w.c. for natural gas.
 - B. 11" - 13" w.c. for LP gas.
5. Shut off the gas at the manual gas valve and remove the U-Tube manometer.

6. Replace the pressure tap plug before turning on the gas.

If the supply gas line pressure is above these ranges, install an in-line gas regulator to the furnace for natural gas units. With LP gas, have the LP supplier reduce the line pressure at the regulator.

If supply gas line pressure is below these ranges, either remove any restrictions in the gas supply piping or enlarge the gas pipe. See Tables 3 and 4. With LP gas, have the LP supplier adjust the line pressure at the regulator.

▲ CAUTION

ELEVATIONS ABOVE 2000 FT REQUIRE THAT THE FURNACE INPUT RATING BE ADJUSTED AND THAT THE SIZE OF THE BURNER ORIFICES BE RE-CALCULATED BASED ON ELEVATION AND GAS HEATING VALUE. THE BURNER ORIFICES MAY (OR MAY NOT) NEED TO BE CHANGED. SEE THE SECTION TITLED "HIGH ALTITUDE INSTALLATIONS" OF THIS BOOK FOR INSTRUCTIONS.

Manifold Gas Pressure Measurement. Natural gas manifold pressure should be 3.5" w.c. LP gas manifold pressure should be 10.0" w.c. Only small variations in gas pressure should be made by adjusting the pressure regulator.

1. With the gas to the unit shut off at the manual gas valve, remove the pressure tap plug in the gas manifold. See Figure 41.
2. Connect a U-Tube manometer to this pressure tap. See Figure 42.
3. Turn on the gas supply and operate the furnace.
4. Note or adjust the manifold gas pressure to give:
 - A. 3.5" w.c. for natural gas.
 - B. 10.0" w.c. for LP gas.
5. To adjust the pressure regulator, remove the regulator cap.
6. Turn the adjustment screw clockwise to increase pressure, or counterclockwise to decrease pressure.
7. Securely replace the regulator cap.
8. Shut off gas at the manual gas valve and remove the U-Tube manometer.
9. Replace the manifold pressure tap plug before turning on the gas.

FIGURE 41
MANIFOLD PRESSURE TAP

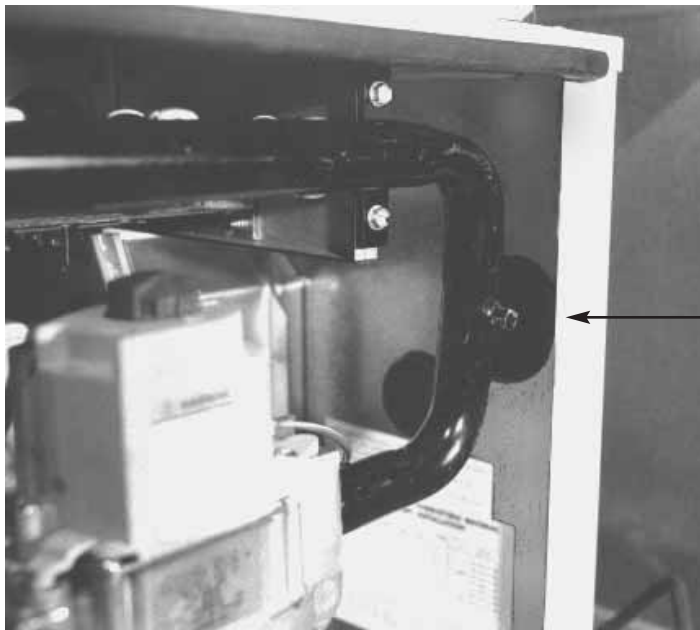


TABLE 4
LP GAS PIPE CAPACITY TABLE (CU. FT./HR.)

Maximum capacity of pipe in thousands of BTU per hour of undiluted liquefied petroleum gases (at 11 inches water column inlet pressure).

(Based on a Pressure Drop of 0.5 Inch Water Column)

| Nominal Iron Pipe Size, Inches | Length of Pipe, Feet | | | | | | | | | | | | |
|--------------------------------|----------------------|-------|-------|-------|-------|-------|-------|-------|-------|-------|-------|-------|--|
| | 10 | 20 | 30 | 40 | 50 | 60 | 70 | 80 | 90 | 100 | 125 | 150 | |
| 1/2 | 275 | 189 | 152 | 129 | 114 | 103 | 96 | 89 | 83 | 78 | 69 | 63 | |
| 3/4 | 567 | 393 | 315 | 267 | 237 | 217 | 196 | 182 | 173 | 162 | 146 | 132 | |
| 1 | 1,071 | 732 | 590 | 504 | 448 | 409 | 378 | 346 | 322 | 307 | 275 | 252 | |
| 1-1/4 | 2,205 | 1,496 | 1,212 | 1,039 | 913 | 834 | 771 | 724 | 677 | 630 | 567 | 511 | |
| 1-1/2 | 3,307 | 2,299 | 1,858 | 1,559 | 1,417 | 1,275 | 1,181 | 1,086 | 1,023 | 976 | 866 | 787 | |
| 2 | 6,221 | 4,331 | 3,465 | 2,992 | 2,646 | 2,394 | 2,205 | 2,047 | 1,921 | 1,811 | 1,606 | 1,496 | |

Example (LP): Input BTU requirement of unit, 120,000
Equivalent length of pipe, 60 ft. = 3/4" IPS required.

FIGURE 42
MANIFOLD PRESSURE READING

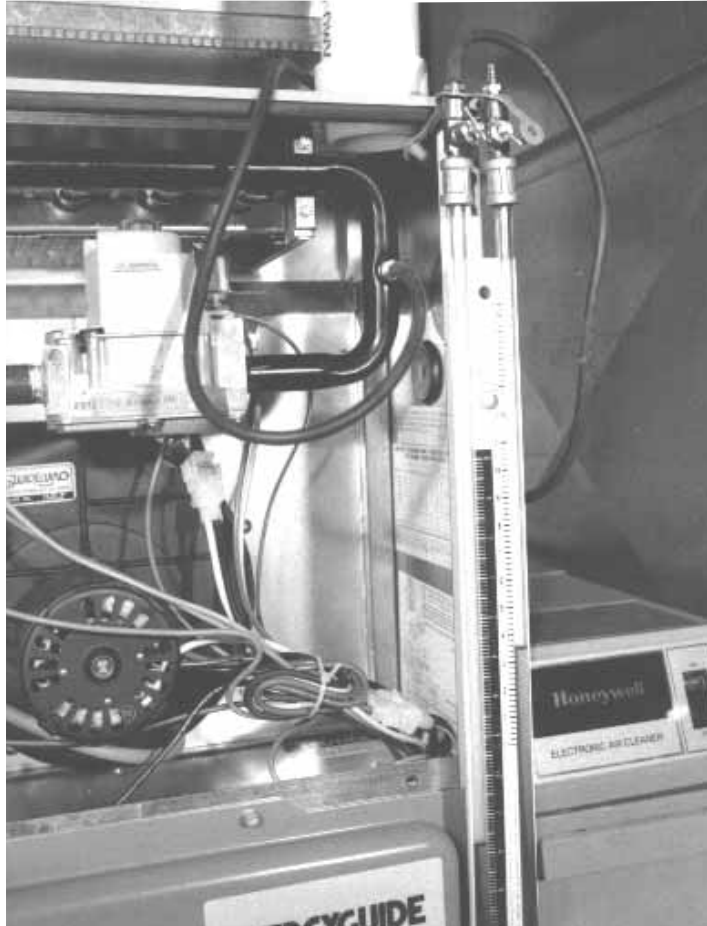
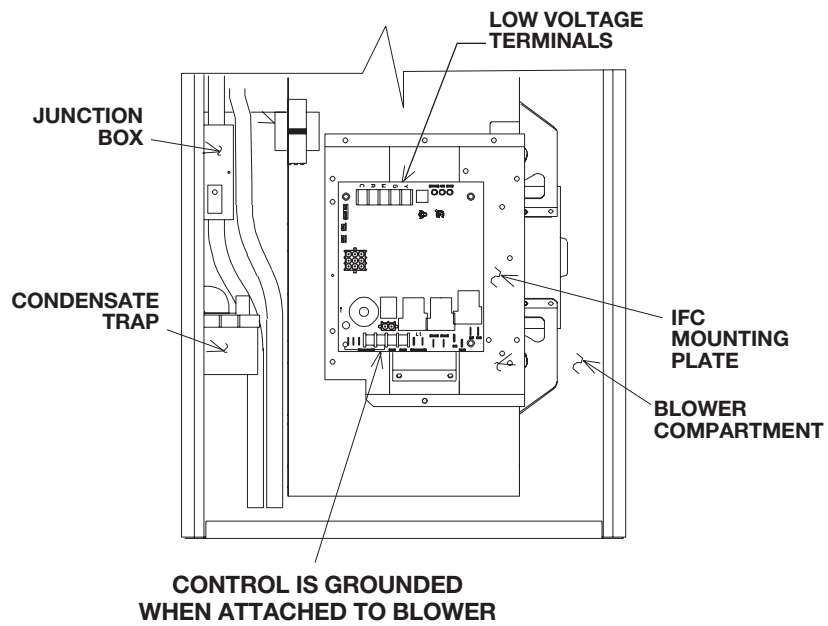


FIGURE 43
UPFLOW GROUNDING CONNECTIONS



I409-3

ELECTRICAL WIRING

▲ WARNING

TURN OFF ELECTRIC POWER AT FUSE BOX OR SERVICE PANEL BEFORE MAKING ANY ELECTRICAL CONNECTIONS. FAILURE TO DO SO CAN CAUSE ELECTRICAL SHOCK RESULTING IN PERSONAL INJURY OR DEATH.

▲ WARNING

THE CABINET MUST HAVE AN UNINTERRUPTED GROUND ACCORDING TO THE LATEST EDITION OF THE NATIONAL ELECTRICAL CODE, ANSI/NFPA70- OR IN CANADA, THE CANADIAN ELECTRICAL CODE, CSA-C221 OR LOCAL CODES THAT APPLY. DO NOT USE GAS PIPING AS AN ELECTRICAL GROUND. A GROUND SCREW IS PROVIDED IN THE JUNCTION BOX. FAILURE TO DO SO CAN CAUSE ELECTRICAL SHOCK RESULTING IN PERSONAL INJURY OR DEATH.

▲ WARNING

THIS FURNACE IS EQUIPPED WITH A BLOWER DOOR SAFETY SWITCH. DO NOT DISABLE THIS SWITCH. FAILURE TO FOLLOW THIS WARNING CAN RESULT IN ELECTRICAL SHOCK, PERSONAL INJURY OR DEATH.

IMPORTANT: The furnace must be installed so that the electrical components are protected from water (condensate).

Before proceeding with the electrical connections, be certain that the voltage, frequency and phase corresponds to that specified on the furnace rating plate. For single furnace application, maximum over-current protection is 15 amperes.

Use a separate fused branch electrical circuit containing a properly sized fuse or circuit breaker. Run this circuit directly from the main switch box to an electrical disconnect that is readily accessible and located near the furnace. Connect from the electrical disconnect to the junction box on the left side of the furnace, inside the blower compartment. For the proper connection, refer to the appropriate wiring diagram located on the inside cover of the furnace control box and in these instructions.

NOTE: UPFLOW MODELS ONLY

The electrical junction box may be moved to the right side if necessary. A knockout is provided. Seal the opposite hole with plug provided.

NOTE: L1 (hot) and L2 (neutral) polarity must be observed when making field connections to the furnace. The ignition control may not

sense flame if L1 and L2 are reversed. See Figure 42.

Make all electrical connections in accordance with the latest edition of the National Electrical Code ANSI/NFPA70 and local codes having jurisdiction.

These may be obtained from:

National Fire Protection Association, Inc.
Batterymarch Park
Quincy, MA 02269

CSA - International
178 Rexdale Blvd.
Etobicoke (Toronto), Ontario
Canada M9W, 1R3

THERMOSTAT

The room thermostat must be compatible with the integrated furnace control on the furnace. Generally, all thermostats that are not of the "current robbing" type are compatible with the

integrated furnace control. The low voltage wiring should be sized as shown.

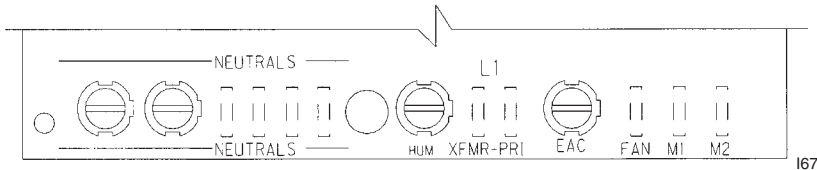
NOTE: Do not use 24 volt control wiring smaller than No. 18 AWG.

NOTE: An isolation relay can be added to prevent any compatibility problems that may occur. Use a single-pole, single-throw relay with a 24-volt AC coil. The contacts should be rated for .5 amps minimum at 24 volts. See Figure 45.

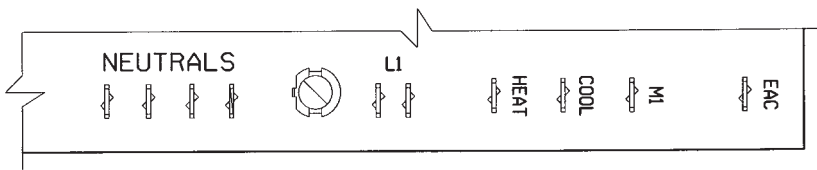
Install the room thermostat in accordance with the instruction sheet packed in the box with the thermostat. Run the thermostat lead wires inside the blower compartment and connect to low voltage terminals as shown on the wiring diagram. Never install the thermostat on an outside wall or where it will be influenced by drafts, concealed hot or cold water pipes or ducts, lighting fixtures, radiation from

FIGURE 44
LINE VOLTAGE CONNECTIONS

UT ELECTRONIC CONTROLS 1028-928 CONTROL BOARD



UT ELECTRONIC CONTROLS 1012-925 CONTROL BOARD



INVENSYS CLIMATE CONTROLS ICC-H1MC7-01 HOT SURFACE IGNITION, IFC

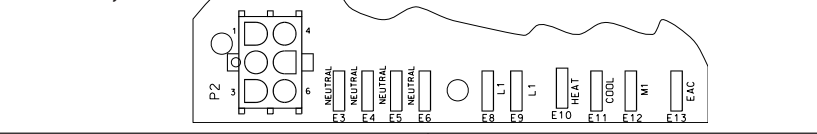
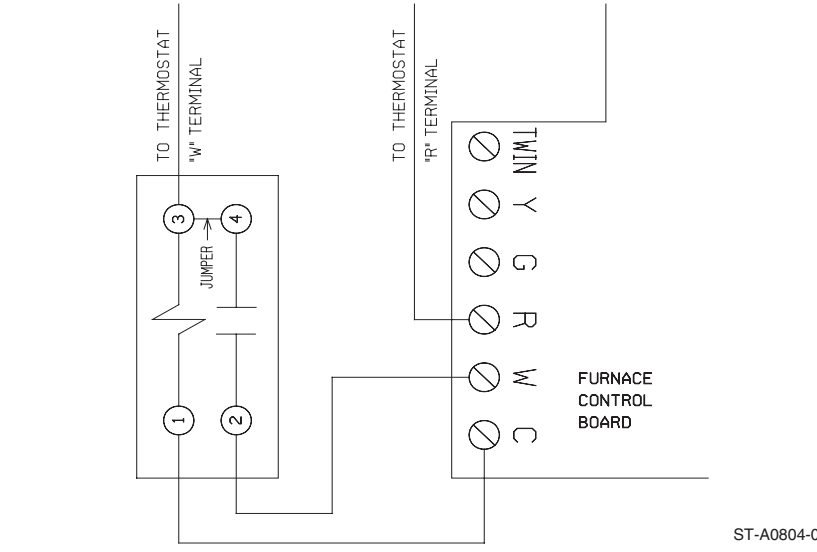


FIGURE 45
ISOLATION RELAY



ST-A0804-01

fireplace, sun rays, lamps, televisions, radios or air streams from registers. Refer to instructions packed with the thermostat for "heater" selection or adjustment.

ACCESSORIES

FIELD-INSTALLED OPTION ACCESSORIES

ELECTRONIC AIR CLEANER

Line voltage power can be supplied from the screw terminal "EAC" and a line voltage neutral screw terminal on the control board. This will power the electronic air cleaner whenever the circulating air blower is in operation.

HUMIDIFIER

Line voltage power can be supplied from screw terminal "HUM" to a line voltage neutral screw terminal on the control board. This will power the humidifier whenever the burner is on and the circulating air blower is operating in the heating mode.

NOTE: Maximum current – 1.0 amps for each option.

ALTERNATE (LEFT SIDE) DRAIN KIT - RXGY-H01 (DOWNFLOW MODELS ONLY)

FURNACE TWINNING INSTALLATIONS

Twinning operation of two furnaces, installed side-by-side, connected by a common duct system with main power supplied by the same source, and controlled by a common thermostat can be done with the UT Electronic Controls 1028-928 integrated control boards.

IMPORTANT: Only twin furnaces with identical control boards.

IMPORTANT: Only bottom returns can be used. No more than two furnaces can share the same supply and return. Furnaces must have same heating and blower capacity. Twinning furnaces must operate off the same phase of power.

It should be noted that both blowers will run simultaneously when there is a call for heating, cooling or fan.

The "OK" LED will flash if twinning is not set up properly.

UT ELECTRONIC CONTROLS 1028-928 CONTROL BOARD

1. Single Stage Operation
(See Figure 46)
 - a. Control board "ONE" is on furnace connected to the thermostat.
 - b. The 24 VAC supply to both control boards must be in phase with each other.
 - c. Connect the "C," "W" and "TWIN" terminals to counterparts on each control.
 - d. Both control boards must have switch #3 in the "ON" position.
2. Two Stage Operation
(See Figure 47)
 - a. Follow above instructions. Connect "W2" on thermostat to "W" on control board "TWO."

FIGURE 46
UT Electronic Controls 1028-928 CONTROL BOARD, TWINNING CONNECTION -- SINGLE STAGE OPERATION

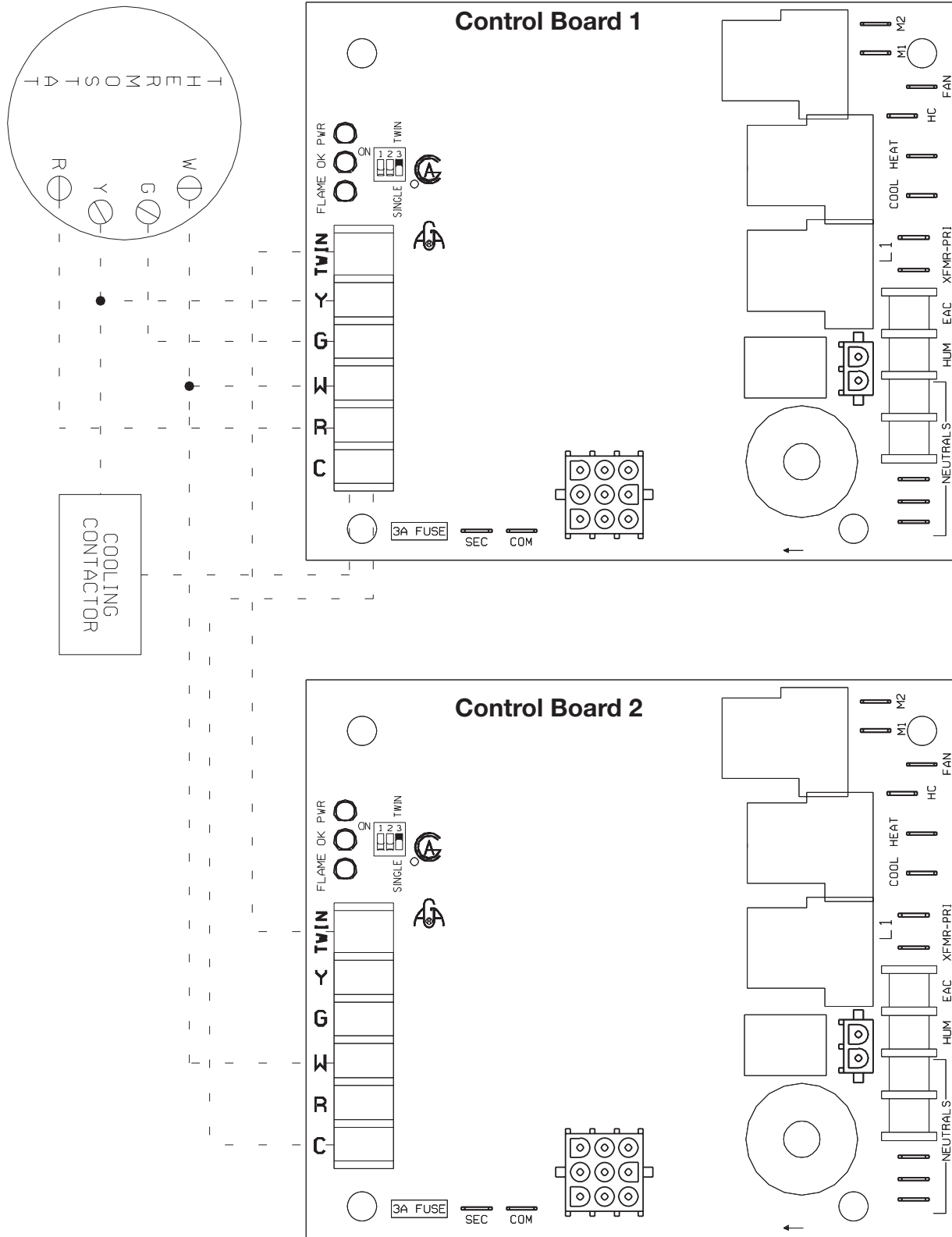


FIGURE 47

UT ELECTRONIC CONTROLS 1028-928 CONTROL BOARD, TWINNING CONNECTION -- TWO-STAGE OPERATION

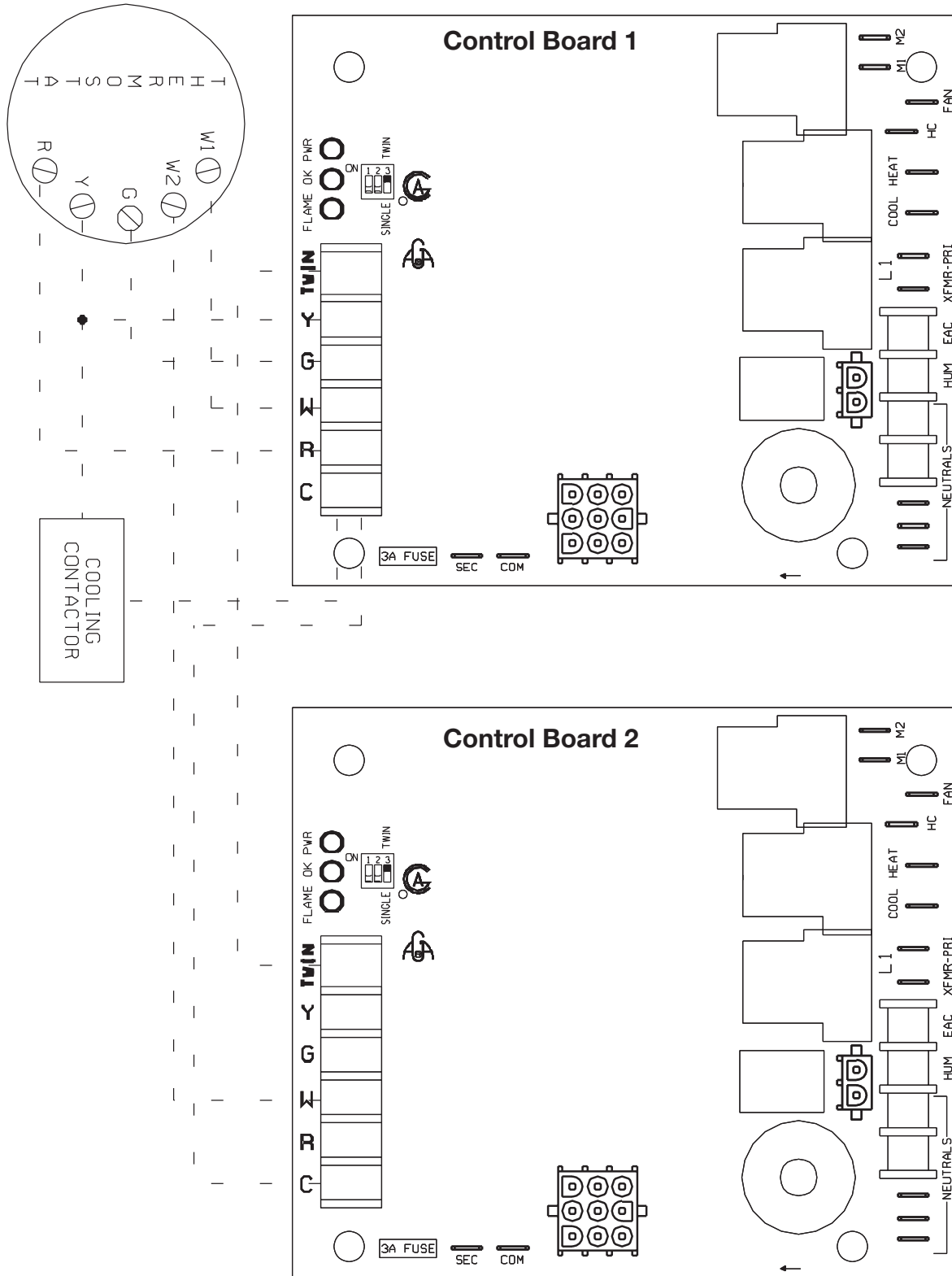


TABLE 6

90 Plus ONLY models with 15,000 Btu's per Burner. DO NOT USE THIS CHART FOR ANY 80 PLUS MODEL.

NATURAL GAS QUICK REFERENCE CHART FOR ORIFICE SELECTION, AT 3.5" W.C. AND APPROXIMATE FINAL FIRING RATES

| Sea Level Orifice Size | Sea Level Cubic Foot at 3.5" W.C. | 90 Plus Heat Value at 15,000 Btu's per Burner | ELEVATION CHART (NFG recommended orifice based on 4% derate for each 1000 foot of elevation, based on the intersection of the orifice required at Sea Level and the elevation required below) | | | | | | | | | | | | | |
|------------------------------|-----------------------------------|---|---|-----------|-----------|-----------|-----------|-----------|-----------|-----------|-----------|-----------|----|----|----|----|
| | | | 0-999 | 1000-1999 | 2000-2999 | 3000-3999 | 4000-4999 | 5000-5999 | 6000-6999 | 7000-7999 | 8000-8999 | 9000-9999 | | | | |
| 46 | 18.57 | 808 | 46 | 46 | 47 | 47 | 47 | 47 | 48 | 48 | 48 | 49 | 49 | 49 | 49 | 50 |
| 47 | 17.52 | 856 | 47 | 47 | 48 | 48 | 48 | 49 | 49 | 49 | 49 | 50 | 50 | 50 | 50 | 51 |
| 48 | 16.36 | 917 | 48 | 48 | 49 | 49 | 49 | 49 | 50 | 50 | 50 | 51 | 51 | 51 | 51 | 51 |
| 49 | 15.2 | 987 | 49 | 49 | 50 | 50 | 50 | 50 | 51 | 51 | 51 | 51 | 51 | 51 | 52 | 52 |
| 50 | 13.92 | 1078 | 50 | 50 | 51 | 51 | 51 | 51 | 51 | 51 | 52 | 52 | 52 | 52 | 52 | 53 |
| 51 | 12.77 | 1175 | 51 | 51 | 51 | 52 | 52 | 52 | 52 | 52 | 52 | 52 | 53 | 53 | 53 | 53 |
| Final Firing Rate per Burner | | | 15,000 | 14,400 | 13,800 | 13,200 | 12,600 | 12,000 | 11,400 | 10,800 | 10,200 | 9,600 | | | | |

All calculations are performed by using the first three columns of information only. Before beginning any calculations, determine the individual burner Btu size and heating value at Sea Level for the installation site. Each value shown in the Heat Value column is per burner at 3.5" W.C.

NOTE:

Heat Value at Sea Level, for the location of the installation, is available from the Natural Gas Supplier to that site. Orifices for all altitudes are based on Sea Level values.

Divide the individual burner capacity (15,000 for 90 plus) by the Heat Value for the site to determine the Cubic Foot value at Sea Level, or divide burner capacity by the Cubic Foot value for the Heat Value. Once you have either the Cubic Foot Value or the Heat Value you can estimate the Sea Level orifice for the site. To select the corresponding high altitude orifice, locate the site elevation on the chart above and the orifice required at Sea Level from your calculation in the first column. The correct high altitude orifice that must be installed in each individual burner is the intersection of these two points on the chart above.

LP GAS AT HIGH ALTITUDE ELEVATIONS

ORIFICE INSTALLATION

LP Gas is a manufactured gas that has consistent heating value across most regions.

The NFGC guidelines are used with the following exception:

The recommended LP Gas high altitude orifice selections differ slightly in that the NFGC LP orifice chart, as they are not accurate for Rheem products. The National Fuel Gas Code LP orifices are based on an 11" of water column pressure at the orifice, which differs from Rheem products that use 10" of water column at the orifice. This difference requires a deviation from the NFGC orifice size recommendations. The Sea Level input should still be reduced by 4% per thousand ft. and the orifice size must be selected based on the reduced input selection Table 7.

TABLE 7
LP GAS ORIFICE DRILL SIZE
(4% PER 1000 FT DE-RATE)
IMPORTANT: 90 Plus Models only. Do not use this chart for any 80 Plus Models

| Altitude | Input (per burner) 15000 | Orifice Size |
|---------------|--------------------------|-------------------|
| 0 to 2000 ft. | 15000 | 1.15 mm (factory) |
| 2000'-3000' | 13200 | 1.15 mm |
| 3000'-4000' | 12600 | 1.10 mm |
| 4000'-5000' | 12000 | #58 |
| 5000'-6000' | 11400 | #59 |
| 6000'-7000' | 10800 | #60 |
| 7000'-8000' | 10200 | #62 |
| 8000'-9000' | 9600 | #63 |
| 9000'-10000' | 9000 | #64 |

ORIFICE ORDERING INFORMATION

Orifice sizes are selected by adding the 2-digit drill size required in the orifice part number. Drill sizes available are 39 through 64; metric sizes available 1.10mm (-90) and 1.15mm (-91):

Orifice Part Number 62-22175-(drill size)

Example 1:

60 drill size orifice required
 Part # 62-22175-60

Example 2:

1.15mm drill size orifice required
 Part # 62-22175-91

ALTERNATE METHOD FOR CANADIAN HIGH-ALTITUDE DERATE

In Canada, unless an orifice change is specifically mandated by local codes, an alternate method of altitude deration through a reduction in manifold pressure is acceptable as described in Table 8.

The information in Table 8 is based on a heating value of 1000 BTU per cubic feet of natural gas, and 2500 BTU per cubic feet of LP gas.

IMPORTANT: Actual input rates must be measured on-site with manifold pressure adjustment to ensure that an actual 10% reduction in input rate is achieved.

Once this field adjustment has been made, the label shown in Figure 48 must be affixed in a conspicuous location on the front of the furnace cabinet:

NOTE: This label is supplied in the information packet shipped with each furnace.

TABLE 8
ALTERNATE METHOD FOR CANADIAN HIGH-ALTITUDE DERATE
IMPORTANT: 90 Plus Models only. Do not use this chart for any 80 Plus Models

| NATURAL GAS | | | | | LP GAS | | | | |
|---------------|---------|---------|--------------|-------------------|---------------|---------|---------|--------------|-------------------|
| ALTITUDE | INPUT | OUTPUT | ORIFICE SIZE | MANIFOLD PRESSURE | ALTITUDE | INPUT | OUTPUT | ORIFICE SIZE | MANIFOLD PRESSURE |
| 0' - 2000' | 45,000 | 40,500 | #50 | 3.5" W.C. | 0' - 2000' | 45,000 | 40,500 | 1.15mm | 10" W.C. |
| | 60,000 | 54,000 | | | | 60,000 | 54,000 | | |
| | 75,000 | 67,500 | | | | 75,000 | 67,500 | | |
| | 90,000 | 81,000 | | | | 90,000 | 81,000 | | |
| | 105,000 | 94,500 | | | | 105,000 | 94,500 | | |
| | 120,000 | 108,000 | | | | 120,000 | 108,000 | | |
| 2001' - 4500' | 40,500 | 36,450 | #50 | 3.0" W.C. | 2001' - 4500' | 40,500 | 36,450 | 1.15mm | 7.6" W.C. |
| | 54,000 | 48,600 | | | | 54,000 | 48,600 | | |
| | 67,500 | 60,750 | | | | 67,500 | 60,750 | | |
| | 81,000 | 72,900 | | | | 81,000 | 72,900 | | |
| | 94,500 | 85,050 | | | | 94,500 | 85,050 | | |
| | 108,000 | 97,200 | | | | 108,000 | 97,200 | | |

FIGURE 48
MANIFOLD PRESSURE-CHANGE LABEL

THE MANIFOLD PRESSURE OF THIS APPLIANCE HAS BEEN FIELD ADJUSTED TO OBTAIN THE CORRECT INPUT RATING FOR INSTALLATION AT ALTITUDES BETWEEN 2,000 FEET AND 4,500 FEET ELEVATION.

LA PRESSION DU DISTRIBUTEUR D'ALIMENTATION DE CET APPAREIL A ÉTÉ AJUSTÉ SUR LES LIEUX AFIN D'OBTENIR LA BONNE PUISSANCE D'ENTRÉE POUR UNE INSTALLATION ENTRE 2000 ET 4500 PIEDS D'ALTITUDE.

92-24399-01-01

START-UP PROCEDURES

This furnace is equipped with a direct ignition device. Each time the room thermostat calls for heat, the ignitor lights the main burners directly. See the lighting instructions on the furnace.

TO START THE FURNACE

1. Remove the burner compartment control access door.
2. **IMPORTANT:** Be sure that the manual gas control has been in the "OFF" position for at least five minutes. Do not attempt to manually light the main burners.
3. Turn off the furnace electrical power and set the room thermostat to its lowest setting.
4. Turn the gas control knob to the "ON" position or move the gas control lever to the "On" position.
5. Replace the burner compartment control access door.
6. Turn on the furnace electrical power.
7. Set the room thermostat to a point above room temperature to light the main burners.
8. After the burners are lit, set the room thermostat to a desired temperature.

TO SHUT DOWN THE FURNACE

1. Set the room thermostat to its lowest setting and wait for furnace to shut down.
2. Remove the burner compartment control access door.
3. Shut off the gas to the main burners by turning the gas control knob to the "OFF" position. See Figure 37.

▲ WARNING

SHOULD OVERHEATING OCCUR OR THE GAS SUPPLY FAIL TO SHUT OFF, CLOSE THE MANUAL GAS VALVE FOR THE APPLIANCE BEFORE SHUTTING OFF THE ELECTRICAL SUPPLY. FAILURE TO DO SO CAN CAUSE AN EXPLOSION OR FIRE RESULTING IN PROPERTY DAMAGE, PERSONAL INJURY OR DEATH.

SEQUENCE OF OPERATION

UT ELECTRONIC CONTROLS & INVESYS CLIMATE CONTROLS

Integrated Controls with Hot Surface Ignition.

1. Each time the thermostat "W" (Heating) contacts close, the induced draft blower (inducer) begins a prepurge cycle.
2. The air proving negative pressure switch(es) closes.
3. **5 seconds after the pressure switch(es) close, the hot surface igniter begins heating for 30 seconds** to full temperature. The

induced draft blower operates for the complete heating cycle.

4. After the 30-second igniter warm up, **the gas valve opens for an 8-second trial for ignition.**
5. The igniter lights the gas burners and **stays energized for the first 7 seconds after the gas valve opens.**
6. 8 seconds after the gas valve opens **the remote flame sensor must prove flame ignition for one second** using the process of flame rectification. If the burners don't light, the system goes through another ignition sequence. It does this **up to four times.**
7. The main blower starts approximately 20 seconds after the burners ignite.
8. When the thermostat "W" (Heat Call) ends, the gas valve closes, the burners go out, the induced draft blower stops after a **10-second post-purge**, and the negative pressure switch(es) open.
9. The main blower continues until timed off by the setting on the integrated furnace control board.

Sequence if the system doesn't light or doesn't sense flame:

1. On a call for heat, the control runs the inducer for 35 seconds to prepurge.
2. 5 seconds into prepurge, the hot surface igniter heats for 30 seconds. The inducer continues to run.
3. After the 30-second igniter warm up, the gas valve opens for an 8-second trial for ignition. The inducer continues and the igniter stays energized.
4. If flame is not sensed during the 8th second after the gas valve opens, the gas valve closes, and the igniter de-energizes.
5. After a 10-second post-purge, the inducer stops and the control verifies that the pressure switch has opened. Once the open pressure switch is confirmed, the control begins the next ignition cycle by energizing the inducer for a pre-purge of 30 seconds. After the 30-second pre-purge, the igniter energizes and begins a 30-second warm-up period (inducer is still running). After a 30-second igniter warm-up period (60 sec. of ind. running), the gas valve opens and the control looks for a flame signal for up to 8 seconds. If no flame is sensed, the control goes into "self-healing" mode, in which the blower and inducer both run for three minutes before another ignition attempt is made.

NOTE: The following applies only to units manufactured before third Quarter 2003: After 5-second inter-purge, the control begins a 30-second pre-purge followed by a 30-second igniter warm-up period (inducer is still running). After the 30-

second igniter warm-up period, the gas valve opens and the control looks for a flame signal for up to 8 seconds. If no flame is sensed, the control goes into "self-healing" mode, in which the blower and inducer both run for three minutes before another ignition attempt is made.

6. The control attempts to ignite up to four times (first attempt followed by three retries). After the fourth failure to ignite, the control goes into a one-hour "soft-lockout," during which the control will not respond to the thermostat heat call (W). The lockout can be reset by shutting off main power to the furnace for five seconds, or by turning the heat call (W) from the thermostat off and then back on. Note that second and fourth ignition attempts will have a 30-second pre-purge followed by a 30-second igniter warm-up period. This prevents the igniter from overheating.
7. The above sequence will repeat after a one hour delay. It will continue repeating until ignition is successful or the call for heat is terminated.
8. **To reset the lock out, make and break power either at the thermostat or at the unit disconnect switch for 5 to 10 seconds.** It then goes through another set of trials for ignition.

UT Electronic Controls Direct Spark Ignition

1. Each time the thermostat contacts close, the induced draft blower (inducer) begins a prepurge cycle.
2. The air proving negative pressure switch(es) closes.
3. **30 seconds after the pressure switch(es) close, the spark igniter energizes.** The induced draft blower operates for the complete heating cycle.
4. After the spark igniter energizes, **the gas valve opens for a 8 second trial for ignition.**
5. The igniter lights the gas burners.
6. After the gas valve opens **the flame sensor must prove flame ignition for one second** using the process of flame rectification. If the burners don't light, the system goes through another ignition sequence. It does this **up to four times.**
7. The main blower starts 20 seconds after the burners ignite.
8. When the thermostat cycle ends, the gas valve closes, the burners go out, the induced draft blower stops after a **10-second post-purge**, and the negative pressure switch(es) open.
9. The main blower continues until timed off by the setting on the integrated furnace control board.

Sequence if the system doesn't light or doesn't sense flame:

1. On a call for heat, the control runs the inducer for 30 seconds to pre-purge.
2. After the 30-second pre-purge, the spark igniter energizes. The inducer continues to run.
3. After the spark igniter energizes, the gas valve opens for an 8-second trial for ignition. The inducer continues and the igniter stays energized.
4. If flame is not sensed within 8 seconds after the gas valve opens, the gas valve closes, the igniter de-energizes and:
5. The inducer completes a 10-second post-purge, the inducer stops, and the control verifies that the pressure switch has opened. Once the open pressure switch is confirmed, the control begins the next ignition cycle by energizing the inducer for a pre-purge of 30 seconds. After the pre-purge, the igniter energizes and the gas valve opens (inducer continues to run). If no flame is sensed on the second attempt, the control goes into a "self-healing" mode, in which the blower and the inducer run for 3 minutes before another ignition attempt is made.
6. The control attempts to ignite up to four times (first attempt followed by three retries). After the fourth failure to ignite, the control goes into a one-hour "soft-lockout" during which the control will not respond to the thermostat heat call (W). The lockout can be reset by shutting off main power to the furnace for five seconds, or by turning the heat call (W) from the thermostat off and then back on.
7. The above sequence will repeat after a one hour delay. It will continue repeating until ignition is successful or the call for heat is terminated.
8. To reset the lock out, make and break power either at the thermostat or at the unit disconnect switch for 5 to 10 seconds. It then goes through another set of trials for ignition.

**TABLE 9
METER TIME**

| METER TIME IN MINUTES AND SECONDS FOR NORMAL INPUT RATING OF FURNACES EQUIPPED FOR NATURAL OR LP GAS | | | | | | | | | | | |
|---|--------------------------|--------------------------------------|------|------|------|------|------|------|------|-----------|------|
| INPUT BTU/HR | METER SIZE CU. FT. | HEATING VALUE OF GAS BTU PER CU. FT. | | | | | | | | | |
| | | 900 | | 1000 | | 1040 | | 1100 | | 2500 (LP) | |
| | | MIN. | SEC. | MIN. | SEC. | MIN. | SEC. | MIN. | SEC. | MIN. | SEC. |
| 45,000 | ONE | 1 | 12 | 1 | 20 | 1 | 23 | 1 | 28 | 3 | 20 |
| | TEN | 12 | 0 | 13 | 20 | 13 | 50 | 14 | 40 | 33 | 20 |
| 60,000 | ONE | 0 | 54 | 1 | 0 | 1 | 3 | 1 | 6 | 2 | 30 |
| | TEN | 9 | 0 | 10 | 0 | 10 | 24 | 11 | 0 | 25 | 0 |
| 75,000 | ONE | 0 | 44 | 0 | 48 | 0 | 50 | 0 | 53 | 2 | 0 |
| | TEN | 7 | 12 | 8 | 0 | 8 | 19 | 8 | 48 | 20 | 0 |
| 90,000 | ONE | 0 | 36 | 0 | 40 | 0 | 42 | 0 | 44 | 1 | 40 |
| | TEN | 6 | 0 | 6 | 40 | 7 | 0 | 7 | 20 | 16 | 40 |
| 105,000 | ONE | 0 | 31 | 0 | 34 | 0 | 36 | 0 | 38 | 1 | 26 |
| | TEN | 5 | 10 | 5 | 40 | 6 | 0 | 6 | 20 | 14 | 20 |
| 120,000 | ONE | 0 | 27 | 0 | 30 | 0 | 31 | 0 | 33 | 1 | 15 |
| | TEN | 4 | 30 | 5 | 0 | 5 | 10 | 5 | 30 | 12 | 30 |

Formula: Input BTU/HR = $\frac{\text{Heating Value of Gas (BTU/FT}^3\text{)} \times 3600 \times \text{correction factor}}{\text{Time in Seconds (for 1 cu. ft.) of Gas}}$

ADJUSTING OR CHECKING FURNACE INPUT

The maximum gas supply pressure to the furnace should be 7" w.c. for natural gas. The minimum gas supply pressure for purposes of input adjustment to the furnace should be 5" w.c.

A properly calibrated magnehelic gauge or manometer is required for accurate gas pressure readings.

The manifold pressure should be set at 3.5" w.c. for natural gas. Only small variations in the gas flow should be made by means of the pressure regulator adjustment. In no case should the final manifold pressure vary more than plus or minus 0.3" w.c. from the above-specified pressures. To adjust the pressure regulator, remove the regulator cap and turn the adjustment screw clockwise to increase pressure or counterclockwise to decrease pressure. Then replace the regulator cap securely. Any necessary major changes in the gas flow rate should be made by changing the size of the burner orifices.

To change orifice spuds, shut off the manual gas valve and remove the gas manifold. On LP gas furnaces, the LP gas supply pressure must be set between 11" and 14" w.c. by means of the tank or branch supply regulators. The furnace manifold pressure should be set at 10" w.c. at the gas control valve. For elevations up to 2,000 feet, rating plate input

ratings apply. For high altitudes (elevations over 2,000 ft.), see conversion kit index for derating and orifice spud sizes.

Checking furnace input is important to prevent over firing beyond its design-rated input. NEVER SET INPUT ABOVE THAT SHOWN ON THE RATING PLATE. Use the following table or formula to determine input rate. Start the furnace and measure the time required to burn one cubic foot of gas. Prior to checking the furnace input, make certain that all other gas appliances are shut off, with the exception of pilot burners. Time the meter with only the furnace in operation.

SETTING INPUT RATE

The furnace is shipped from the factory with #50 orifices. They are sized for natural gas having a heating value of 1075 BTU/cu. ft. and a specific gravity of .60.

Since heating values vary geographically, the manifold pressure and/or gas orifice size may need to be changed to adjust the furnace to its nameplate input. Consult the local gas utility to obtain the yearly average heating value and orifice size required to fire each individual burner at 15,000 BTU/HR.

NOTE: Refer to the National Fuel Gas Code for high altitude rate adjustment above 2,000 ft.

AIR FLOW

The importance of proper air flow over the heat exchanger cannot be over emphasized.

▲ CAUTION

IT IS IMPORTANT THAT EACH DUCT SYSTEM BE SIZED AND INSTALLED FOR THE SPECIFIC APPLICATION BY PROPERLY APPLYING THE APPROPRIATE INDUSTRY ACCEPTED STANDARD. IF LESS THAN MINIMUM STANDARDS ARE APPLIED, THE EQUIPMENT USER COULD EXPECT TO EXPERIENCE HIGHER UTILITY BILLS, MAJOR COMPONENT FAILURE, VARYING DEGREES OF AIR NOISE OR OTHER UNSATISFACTORY ISSUES, OVER WHICH THE MANUFACTURER HAS NO CONTROL.

TEMPERATURE RISE CHECK

To determine if the air flow is correct, make a temperature rise check.

1. Insert a thermometer in the supply air duct as close to the furnace as possible yet out of a direct line from the heat exchanger. See Figure 49.
2. Insert a thermometer in the return air duct as close to the furnace as possible.
3. Operate the furnace.
4. When the thermometer in the supply air duct stops rising (approximately five minutes), subtract the return air temperature from the supply air temperature. The difference is the temperature rise.
5. Compare the measured temperature rise to the approved temperature rise range listed on the furnace name plate. See Figure 50.

If the measured temperature rise is above the approved range, the air flow is too low. More air must be moved by speeding up the blower, by removing restrictions in the duct system, or by adding more supply or return air duct. If the measured temperature rise is below the approved range, the air flow is too much. Use lower speed tap on the multi-speed blower.

▲ WARNING

THE MEASURED TEMPERATURE RISE SHOULD BE AS CLOSE TO THE MIDDLE OF THE STATED RANGE AS POSSIBLE. FOR EXAMPLE, IF THE RISE RANGE IS 40 TO 70 DEGREES, THE MOST IDEAL RISE WOULD BE 55 DEGREES (THE MIDDLE OF THE RISE RANGE). IN ALL APPLICATIONS, THE

FIGURE 49
TEMPERATURE RISE MEASUREMENT



INSTALLER MUST ADJUST THE TEMPERATURE RISE TO THIS "MIDDLE" POINT AS CLOSELY AS POSSIBLE. ALSO, THE TEMPERATURE RISE SHOULD NEVER BE ABOVE OR FALL BELOW THE STATED RANGE. DOING SO COULD CAUSE DAMAGE TO THE HEAT EXCHANGER OR INTERMITTENT OPERATION WHICH COULD CAUSE INJURY OR DEATH AND WILL VOID THE MANUFACTURER'S WARRANTY FOR THIS PRODUCT.

FIGURE 50
TYPICAL FURNACE NAME PLATE

RHEEM AIR CONDITIONING DIVISION
FORT SMITH, ARKANSAS

MODEL NO./NUMERO DE MODELE: _____ MFG. DATE _____
SERIAL NO./NUMERO DE SERIE: _____

CATEGORY IV FORCED AIR FURNACE WHEN USING INDOOR AIR FOR COMBUSTION. CATEGORY IV TYPE FSP DIRECT VENT FORCED AIR FURNACE WHEN USING OUTDOOR AIR FOR COMBUSTION. FOR INDOOR INSTALLATION ONLY, IN A BUILDING CONSTRUCTED ON-SITE.
CATÉGORIE IV GÉNÉRATEUR D'AIR CHAUD À AIR FORCÉE LORSQUE DE L'AIR INTÉRIEUR EST EMPLOYÉ POUR LA COMBUSTION. CATÉGORIE IV TYPE FSP ÉVACUATION DIRECTE GÉNÉRATEUR D'AIR CHAUD À AIR FORCÉE LORSQUE DE L'AIR EXTÉRIEUR EST EMPLOYÉ POUR LA COMBUSTION. POUR INSTALLATION À L'INTÉRIEUR SEULEMENT, DANS UN BÂTIMENT CONSTRUIT SUR LE SITE.

ELECTRIC 115 V. 60 HZ. 1 PH., MAXIMUM TOTAL INPUT 6.3 AMPS
ELECTRIQUE 115 V 60 HZ 1 PH, PUISSANCE D'ENTRÉE TOTALE MAXIMUM 6.3 A.
MAXIMUM OVERCURRENT PROTECTION 15 AMPERES. DISJONCTEUR À MAXIMA 15 A.

| HOURLY INPUT RATING DEBIT CALORIFIQUE MAXIMUM Btu/hr (Kw) | HOURLY INPUT RATING DEBIT CALORIFIQUE MINIMUM Btu/hr (Kw) | FACTORY EQUIPPED FOR AGENCE A L'USINE POUR FOR GAS / GAZ |
|--|--|--|
| 75000 (2198) | | NATURAL / NATUREL |

PLEASE REFER TO BOOKLET #92-101825-01 FOR INPUT CALCULATIONS IN THE U.S., AT ELEVATIONS ABOVE 2,000 FT. (610M), DERATE THE INPUT 4% PER 1,000 FT (305M) ABOVE SEA LEVEL. THIS APPLIANCE EQUIPPED FOR ALTITUDES / CET APPAREIL EST EQUIPÉ POUR ALTITUDES COMPRISES ENTRE 0-2,000' / (0-610) FT.(M)/PIEDS(M)

| ORIFICE / INJECTEUR 50 DMS | NATURAL GAS/ LP GAS OR PROP/ GAZ NATUREL | LP GAS OR PROP/ GAZ DE PÉTROLE LIQUÉFIÉ OU PROP. |
|--|--|--|
| LIMIT SETTING/LIMITE COUPE-CIRCUIT 190° (88°) *F(°C) | IN. W.C.(kPa)/ PO C.E. (kPa) | IN. W.C.(kPa)/ PO C.E. (kPa) |
| AUXILIARY LIMIT SETTING/ LIMITE COUPE-CIRCUIT AUXILIAIRE *F(°C) | 10.5 (2.61) | 13.0 (3.23) |
| MAXIMUM PERMISSIBLE GAS SUPPLY PRESSURE TO FURNACE PRESSION MAXIMUM D'ALIMENTATION EN GAZ À CHAUDIÈRE | 10.5 (2.61) | 13.0 (3.23) |
| MINIMUM GAS SUPPLY PRESSURE FOR PURPOSES OF INPUT ADJUSTMENT | 5.0 (1.24) | 11.0 (2.73) |
| PRESSION MINIMUM D'ALIMENTATION EN GAZ POUR LE RÉGLAGE DE PUISSANCE D'ENTRÉE | 5.0 (1.24) | 11.0 (2.73) |
| MANIFOLD PRESSURE / PRESSION A LA TUBULURE | 3.5 (0.87) | 10.0 (2.49) |

AIR TEMPERATURE RISE/
AUGMENTATION DE LA TEMPÉATURE DE L'AIR 45° (25°) - 75° (42°) F (°C)

| MAXIMUM EXTERNAL STATIC PRESSURE PRESSION STATIQUE EXTÉRIEURE MAXIMAL INCHES W.C. (kPa)-PO C.E. (kPa) | BLOWER/ SOUFFLEUR INCH (mm)/PO.(mm) | MOTOR FORCE HP (W) |
|---|---|--------------------------|
| .12 (.030) | 11-7 (279-178) | 1/2 (373) |
| .50 (1.25) | 11-7 (279-178) | 1/2 (373) |

ASSEMBLED IN THE USA 91-22176-09

**TABLE 10
90 PLUS AIR FLOW PERFORMANCE – (-)GRA/(-)GRB/(-)GTA MODELS**

| MODEL | BLOWER/ MOTOR HP | SPEED | CFM @ ESP | | | | | | |
|-------------------------|---------------------|-------|-----------|------|------|------|------|------|------|
| | | | .1 | .2 | .3 | .4 | .5 | .6 | .7 |
| (-)GRA-04 | 11 x 7 1/2 | LOW | 805 | 780 | 760 | 720 | 685 | 645 | 605 |
| | | *M-LO | 920 | 885 | 850 | 810 | 775 | 730 | 690 |
| | | M-HI | 1140 | 1110 | 1085 | 1045 | 1010 | 950 | 890 |
| | | HIGH | 1360 | 1320 | 1280 | 1235 | 1195 | 1140 | 1080 |
| (-)GTA-04 | 11 x 7 1/2 | LOW | 820 | 790 | 760 | 725 | 690 | 650 | 610 |
| | | *M-LO | 930 | 890 | 850 | 815 | 785 | 750 | 720 |
| | | M-HI | 1150 | 1120 | 1090 | 1045 | 1002 | 950 | 900 |
| | | HIGH | 1414 | 1365 | 1320 | 1270 | 1220 | 1165 | 1115 |
| (-)GRA-06 | 11 x 7 1/2 | LOW | 770 | 740 | 710 | 675 | 645 | 605 | 570 |
| | | *M-LO | 880 | 845 | 815 | 790 | 760 | 715 | 670 |
| | | M-HI | 1060 | 1025 | 990 | 960 | 925 | 880 | 835 |
| | | HIGH | 1260 | 1215 | 1175 | 1135 | 1100 | 1040 | 985 |
| (-)GTA-06 | 11 x 7 1/2 | LOW | 795 | 760 | 730 | 695 | 660 | 615 | 570 |
| | | *M-LO | 910 | 885 | 860 | 815 | 770 | 725 | 680 |
| | | M-HI | 1115 | 1080 | 1045 | 1005 | 965 | 920 | 875 |
| | | HIGH | 1365 | 1315 | 1270 | 1225 | 1180 | 1125 | 1070 |
| (-)GRA-07/ (-)GRB-07 | 11 X 7 1/2 | LOW | 780 | 745 | 710 | 675 | 640 | 595 | 555 |
| | | M-LO | 880 | 850 | 825 | 785 | 750 | 702 | 655 |
| | | *M-HI | 1090 | 1050 | 1010 | 970 | 925 | 875 | 825 |
| | | HIGH | 1300 | 1255 | 1210 | 1160 | 1110 | 1055 | 1005 |
| (-)GTA-07 | 11 X 7 1/2 | LOW | 780 | 750 | 720 | 675 | 635 | 595 | 555 |
| | | M-LO | 890 | 860 | 835 | 790 | 750 | 705 | 660 |
| | | *M-HI | 1100 | 1060 | 1025 | 980 | 940 | 890 | 845 |
| | | HIGH | 1340 | 1295 | 1250 | 1200 | 1150 | 1090 | 1025 |
| (-)GRA-07/ (-)GRB-07 | 12 X 7 1/2 3/4 | LOW | 1105 | 1095 | 1080 | 1050 | 1030 | 1010 | 990 |
| | | M-LO | 1290 | 1275 | 1260 | 1220 | 1195 | 1170 | 1140 |
| | | M-HI | 1480 | 1435 | 1415 | 1390 | 1370 | 1300 | 1255 |
| | | HIGH | 1705 | 1665 | 1615 | 1570 | 1540 | 1475 | 1400 |
| (-)GTA-07 | 12 X 7 1/2 3/4 | LOW | 1185 | 1160 | 1140 | 1115 | 1095 | 1065 | 1040 |
| | | M-LO | 1405 | 1375 | 1350 | 1310 | 1270 | 1235 | 1195 |
| | | M-HI | 1595 | 1560 | 1525 | 1480 | 1440 | 1380 | 1325 |
| | | HIGH | 1835 | 1780 | 1730 | 1675 | 1625 | 1555 | 1480 |
| (-)GRA-09 | 12 X 11 3/4 | LOW | 1235 | 1210 | 1185 | 1150 | 1120 | 1075 | 1035 |
| | | *M-LO | 1490 | 1465 | 1440 | 1405 | 1375 | 1315 | 1255 |
| | | M-HI | 1720 | 1670 | 1620 | 1600 | 1580 | 1520 | 1460 |
| | | HIGH | 2100 | 2050 | 2000 | 1955 | 1910 | 1825 | 1745 |
| (-)GTA-09 | 12 X 11 3/4 | LOW | 1155 | 1125 | 1100 | 1080 | 1060 | 1000 | 940 |
| | | *M-LO | 1420 | 1400 | 1380 | 1365 | 1350 | 1260 | 1175 |
| | | M-HI | 1605 | 1575 | 1550 | 1560 | 1570 | 1480 | 1390 |
| | | HIGH | 2005 | 1965 | 1930 | 1890 | 1850 | 1765 | 1680 |
| (-)GRA-10 | 12 X 11 3/4 | LOW | 1230 | 1205 | 1180 | 1155 | 1130 | 1090 | 1050 |
| | | *M-LO | 1490 | 1445 | 1405 | 1375 | 1350 | 1295 | 1240 |
| | | M-HI | 1710 | 1665 | 1620 | 1580 | 1540 | 1475 | 1410 |
| | | HIGH | 2010 | 1955 | 1900 | 1855 | 1810 | 1710 | 1610 |
| (-)GTA-10 | 12 X 11 3/4 | LOW | 1180 | 1150 | 1120 | 1100 | 1080 | 1025 | 970 |
| | | *M-LO | 1460 | 1425 | 1390 | 1375 | 1360 | 1280 | 1200 |
| | | M-HI | 1680 | 1645 | 1615 | 1585 | 1560 | 1490 | 1420 |
| | | HIGH | 2055 | 2000 | 1940 | 1880 | 1820 | 1745 | 1675 |
| (-)GRA-12 | 11 X 10 3/4 | LOW | 1320 | 1305 | 1290 | 1260 | 1230 | 1185 | 1140 |
| | | *M-LO | 1610 | 1580 | 1555 | 1515 | 1475 | 1415 | 1355 |
| | | M-HI | 1870 | 1820 | 1775 | 1715 | 1660 | 1590 | 1520 |
| | | HIGH | 2115 | 2050 | 1990 | 1945 | 1900 | 1795 | 1690 |
| (-)GTA-12 | 11 X 10 3/4 | LOW | 1285 | 1250 | 1215 | 1235 | 1260 | 1230 | 1200 |
| | | *M-LO | 1590 | 1565 | 1540 | 1505 | 1475 | 1425 | 1375 |
| | | M-HI | 1840 | 1820 | 1800 | 1750 | 1700 | 1645 | 1590 |
| | | HIGH | 2315 | 2250 | 2185 | 2110 | 2040 | 1965 | 1890 |

* Heating speed for cooling applications
NOTE: Units tested with filters in place.

SETTING BLOWER TIMINGS

The Honeywell UT ELECTRONIC CONTROLS and Invensys Climate Controls IFC'S (Integrated Furnace Controls) have three or four quick connect terminals for connecting the motor speed leads. These are:

1. FAN SPEED — motor runs on this speed when the thermostat is in the "FAN ON" position.
2. COOL — connect desired cooling speed.
3. HEAT — connect desired heating speed.
4. HEAT/COOL (not available on UT Electronic Controls-1028-925 control board) or Invensys Climate Controls ICC-H1MC7-01 — connect desired speed when heating and cooling speed are the same.

IMPORTANT: Do not connect any motor speeds to "HEAT" and "COOL" if you use the "HEAT/COOL" terminal.

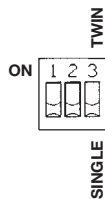
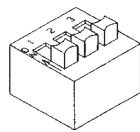
5. If heating and continuous fan speed are the same, "piggyback" jumper across "FAN" and "HEAT" terminals.

See Figures 51, 52 & 53 for instructions for setting the blower "OFF" timings.

If cooling speed and fan speed are desired to be the same, this may be accomplished by not connecting "Y" to the integrated furnace control.

If desired for cool, fan and heat to all be the same speed, then "piggyback" jumper "H/C" to "FAN" and do not connect "Y" to the integrated furnace control. Do not connect anything to "H" or "C."

FIGURE 51
UT Electronic Controls 1028-928
BLOWER OFF TIMINGS

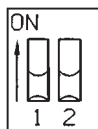


NOTE: SWITCH 3 IS USED FOR TWINNING APPLICATIONS.

1402

| OFF TIME | SWITCH 1 | SWITCH 2 |
|----------|----------|----------|
| 90 SEC. | OFF | ON |
| 120 SEC. | OFF | OFF |
| 160 SEC. | ON | OFF |
| 180 SEC. | ON | ON |

FIGURE 52
UT Electronic Controls 1012-925A
& Invensys Climate Controls
ICC-H1MC7
BLOWER OFF TIMINGS

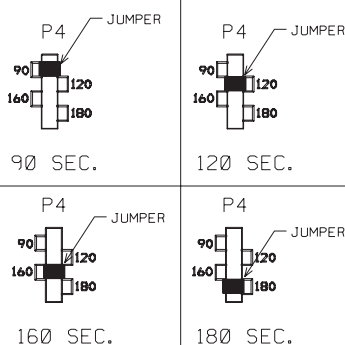


(TIMER IS RED BLOCK ON BOARD)

1335

| OFF TIME | SWITCH 1 | SWITCH 2 |
|----------|----------|----------|
| 90 SEC. | OFF | ON |
| 120 SEC. | OFF | OFF |
| 160 SEC. | ON | OFF |
| 180 SEC. | ON | ON |

FIGURE 53
UT Electronic Controls 1012-925B
BLOWER OFF TIMINGS



GAS FURNACE (DIRECT DRIVE) INSTRUCTIONS FOR CHANGING BLOWER SPEED

▲ WARNING

DISCONNECT THE ELECTRICAL SUPPLY TO THE FURNACE BEFORE ATTEMPTING TO CHANGE THE BLOWER SPEED. FAILURE TO DO SO CAN CAUSE ELECTRICAL SHOCK RESULTING IN PERSONAL INJURY OR DEATH.

The blower motor is wired for blower speeds required for normal operation as shown.

If additional blower speed taps are available (leads connected to "M1" and "M2" on the electronic control), speeds may be changed if necessary to fit requirements of the particular installation. Reconnect the unused motor leads to "M1" or "M2." Check motor lead color for speed designation.

Heating speeds should not be reduced where it could cause the furnace air temperature to rise to exceed the maximum outlet air temperature specified for the unit.

IMPORTANT: Always check air temperature rise after changing the heating speed for any reason.

MAINTENANCE

▲ WARNING

THESE INSTRUCTIONS ARE INTENDED AS AN AID TO QUALIFIED SERVICE PERSONNEL FOR PROPER INSTALLATION, ADJUSTMENT AND OPERATION OF THIS UNIT. READ THESE INSTRUCTIONS THOROUGHLY BEFORE ATTEMPTING INSTALLATION OR OPERATION. FAILURE TO FOLLOW THESE INSTRUCTIONS MAY RESULT IN IMPROPER INSTALLATION, ADJUSTMENT, SERVICE OR MAINTENANCE, POSSIBLY RESULTING IN FIRE, ELECTRICAL SHOCK, CARBON MONOXIDE POISONING, EXPLOSION, PROPERTY DAMAGE, PERSONAL INJURY OR DEATH.

DISCONNECT MAIN ELECTRICAL POWER TO THE UNIT BEFORE ATTEMPTING ANY MAINTENANCE. FAILURE TO DO SO CAN CAUSE ELECTRICAL SHOCK RESULTING IN PERSONAL INJURY OR DEATH.

**TABLE 11
FILTER SIZES**

| UPFLOW FILTER SIZES | | | | |
|-----------------------|-------------|---------------|---------------|----------|
| FURNACE WIDTH | INPUT MBTUH | BOTTOM SIZE | SIDE SIZE | QUANTITY |
| 17 1/2" | 45, 60, 75 | 15 3/4" X 25" | 15 3/4" X 25" | 1 |
| 21" | 90, 105 | 19 1/4" X 25" | 15 3/4" X 25" | 1 |
| 24 1/2" | 120 | 22 3/4" X 25" | 15 3/4" X 25" | 1 |
| DOWNFLOW FILTER SIZES | | | | |
| FURNACE WIDTH | INPUT MBTUH | SIZE | QUANTITY | |
| 17 1/2" | 45, 60, 75 | 12" X 20" | 2 | |
| 21" | 90, 105 | 12" X 20" | 2 | |
| 24 1/2" | 120 | 14" X 20" | 2 | |

FILTERS

Keep the filters clean at all times. Vacuum dirt from filter, wash with detergent and water, air dry thoroughly and reinstall.

Keep the filters clean at all times. Vacuum dirt from filter, wash with detergent and water, air dry thoroughly and reinstall.

NOTE: Some filters must be resized to fit certain units and applications. See Table 11 and Figures 54 and 55.

1. 21" - 90,000 & 105,000 BTUH units require removal of a

3.5-in. segment of filter and frame to get the proper width for a side filter.

2. 24.5" - 120,000 BTUH unit requires removal of a 7" segment of filter and frame to get the proper width for a side filter.

DO NOT OPERATE THE SYSTEM FOR EXTENDED PERIODS WITHOUT FILTERS. A PORTION OF THE DUST

**FIGURE 54
BOTTOM PANEL REMOVAL**

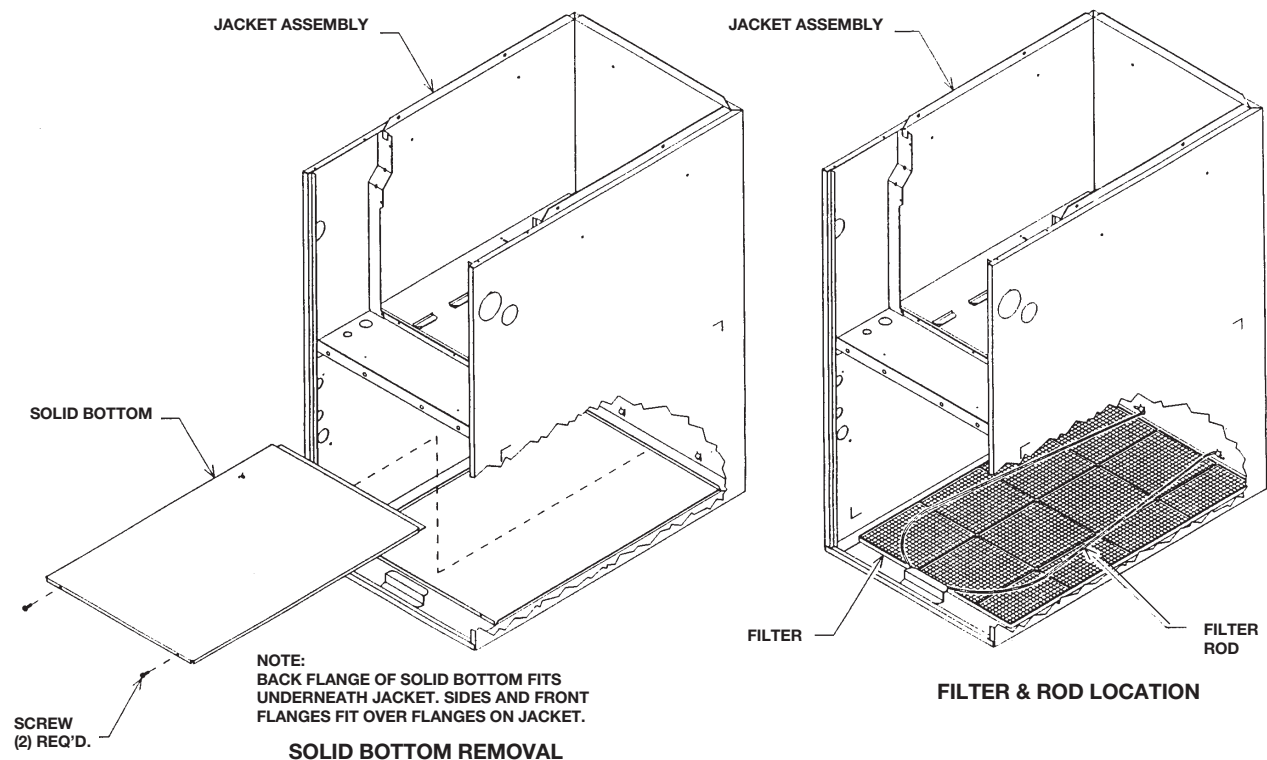
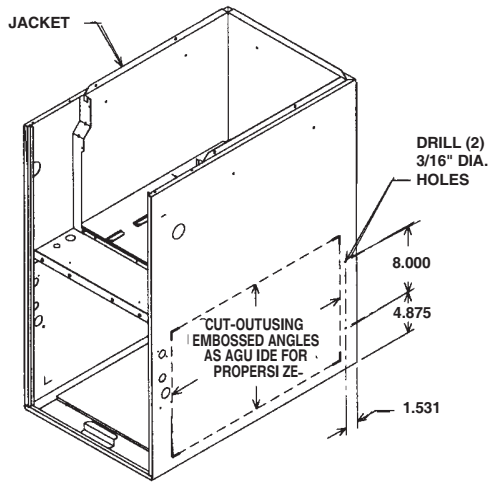
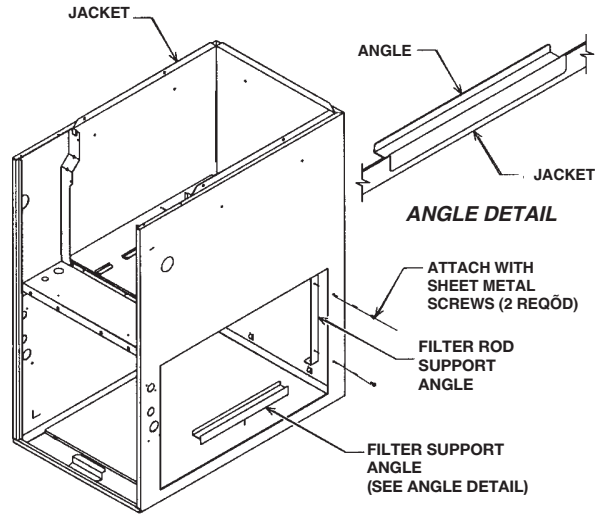


FIGURE 55
FILTER LOCATIONS

UPFLOW

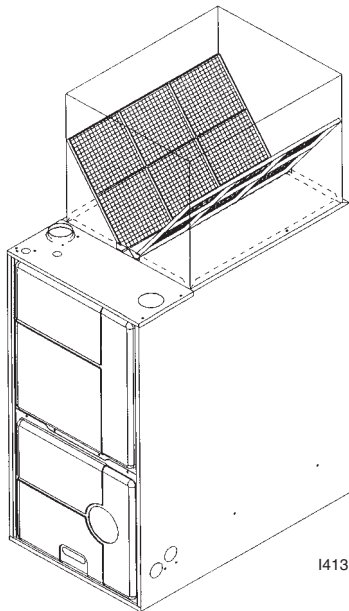


CUT-OUT AND DRILL DETAIL

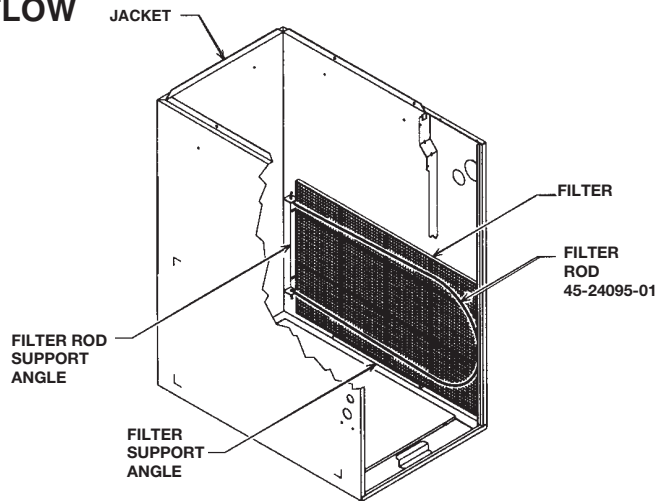


ROD & FILTER SUPPORT ANGLE ASSEMBLY

DOWNFLOW



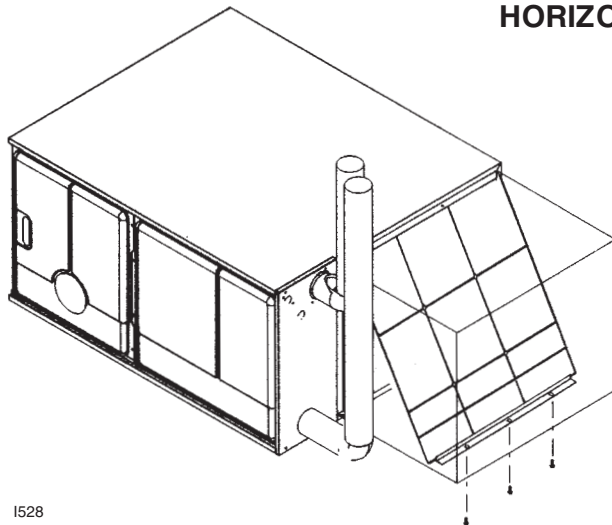
I413



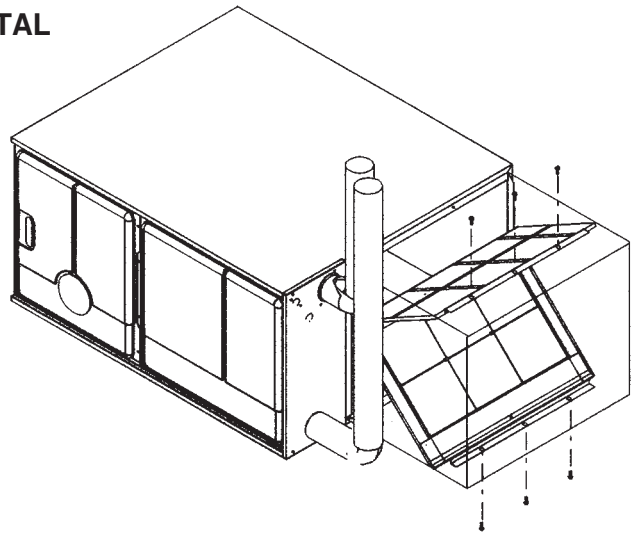
I332

FILTER AND ROD ASSEMBLY

HORIZONTAL



I528



▲ CAUTION

ENTRAINED IN THE AIR MAY TEMPORARILY LODGE IN THE AIR DUCT RUNS AND AT THE SUPPLY REGISTERS. ANY RECIRCULATED DUST PARTICLES WILL BE HEATED AND CHARRED BY CONTACT WITH THE FURNACE HEAT EXCHANGER. THIS RESIDUE WILL SOIL CEILINGS, WALLS, DRAPES, CARPETS AND OTHER HOUSEHOLD ARTICLES.

LUBRICATION

IMPORTANT: DO NOT attempt to lubricate the bearings on the blower motor or the induced draft blower motor. Addition of lubricants can reduce the motor life and void the warranty.

The blower motor and induced draft blower motor are permanently lubricated by the manufacturer and do not require further attention.

The blower motor and induced draft blower motor must be cleaned periodically by a qualified installer, service agency, or the gas supplier to prevent the possibility of overheating due to an accumulation of dust and dirt on the windings or on the motor exterior. And, as suggested elsewhere in these instructions, the air filters should be kept clean. Dirty filters can restrict airflow. The motor depends upon sufficient air flowing across and through it to keep from overheating.

SYSTEM OPERATION INFORMATION

Advise The Customer

1. Keep the air filters clean. The heating system will operate better, more efficiently and more economically.
2. Arrange the furniture and drapes so that the supply air registers and the return air grilles are unobstructed.
3. Close doors and windows. This will reduce the heating load on the system.

4. Avoid excessive use of kitchen exhaust fans.
5. Do not permit the heat generated by television, lamps or radios to influence the thermostat operation.
6. Except for the mounting platform, keep all combustible articles 3 feet from the furnace and vent system.
7. **IMPORTANT:** Replace all blower doors and compartment covers after servicing the furnace. Do not operate the unit without all panels and doors securely in place.
8. Explain proper operation of the system with constant air circulation.

ANNUAL INSPECTION

- The furnace should operate for many years without excessive scale build-up in the flue passageways. However, it is recommended that a qualified installer, service agency, or the gas supplier annually inspect the flue passageways, the vent system and the main burners for continued safe operation. Pay particular attention to deterioration from corrosion or other sources.
- **IMPORTANT:** It is recommended that at the beginning and at approximately half way through the heating season, a visual inspection be made of the main burner flames for the desired flame appearance by a qualified installer, service agency or the gas supplier. If the flames are distorted and/or there is evidence of back pressure, check the vent and inlet air system for blockage. If there is carbon and scale in the heat exchanger tubes, the heat exchanger assembly should be replaced.

▲ WARNING

HOLES IN THE VENT PIPE OR HEAT EXCHANGER CAN CAUSE TOXIC FUMES TO ENTER THE HOME, RESULTING IN CARBON MONOXIDE POISONING OR DEATH. THE VENT PIPE OR HEAT EXCHANGER MUST BE REPLACED IF THEY LEAK.

- **IMPORTANT:** It is recommended that at the beginning of the heating season, the flame sensor be cleaned with steel wool by a qualified installer, service agency or the gas supplier.
- **IMPORTANT:** It is recommended that at the beginning of the heating season, the condensate trap be inspected for debris or blockage. A blocked condensate trap can cause water to back up into the primary heat exchanger and lead to nuisance tripping of the overtemperature switches.
- **IMPORTANT:** It is recommended that at the beginning of the heating season, the condensate neutralizer if used be replaced by a qualified installer, service agency or the gas supplier.
- **IMPORTANT:** It is recommended that an annual inspection and cleaning of all furnace markings be made to assure legibility. Attach a replacement marking, which can be obtained through the distributor, if any are found to be illegible or missing.

REPLACEMENT PARTS

See sheet enclosed with furnace for replacement part information.

TROUBLESHOOTING

Refer to Figures 56 for determining cause of unit problems.

WIRING DIAGRAMS

Figures 57 through 60 are complete wiring diagrams for the furnace and power sources.

FIGURE 56

(-)GRA/(-)GRB/(-)GTA MODELS W/INTEGRATED FURNACE CONTROL (IFC) UT Electronic Controls 1012-925 (115 VAC IGNITER)

INTEGRATED FURNACE CONTROL (IFC) TROUBLESHOOTING GUIDE

NOTE: Most failures are not due to the IFC. Double check all other possibilities, including the ground connection, before replacing the IFC.

NOTE: Always verify gas valve inlet and outlet gas pressure.

FLAME (AMBER) LED CODES
 OFF = No Flame Present
 RAPID BLINK = Unexpected Flame
 SLOW BLINK = Marginal Flame Sense
 STEADY ON = Normal Flame Sense

WARNING

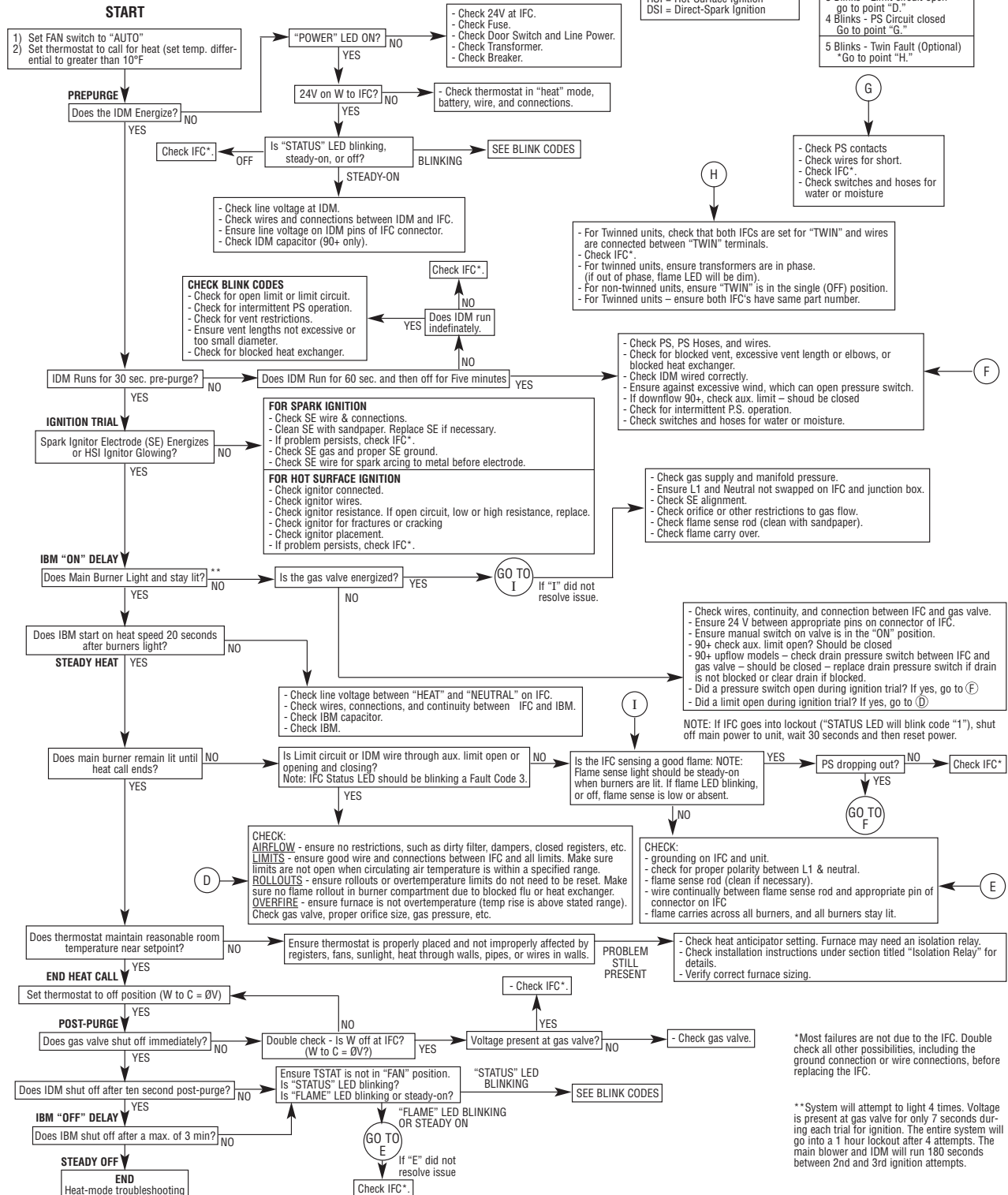


HAZARDOUS VOLTAGE
LINE VOLTAGE
CONNECTIONS

DISCONNECT POWER BEFORE SERVICING.
SERVICE MUST BE BY A TRAINED, QUALIFIED
SERVICE TECHNICIAN.

KEY TO ABBREVIATIONS
 IBM = Indoor Blower Motor
 IDM = Induced Draft Motor
 IFC = Integrated Furnace Control
 PS = Pressure Switch(es)
 SE = Spark Electrode
 HSI = Hot-Surface Ignition
 DSI = Direct-Spark Ignition

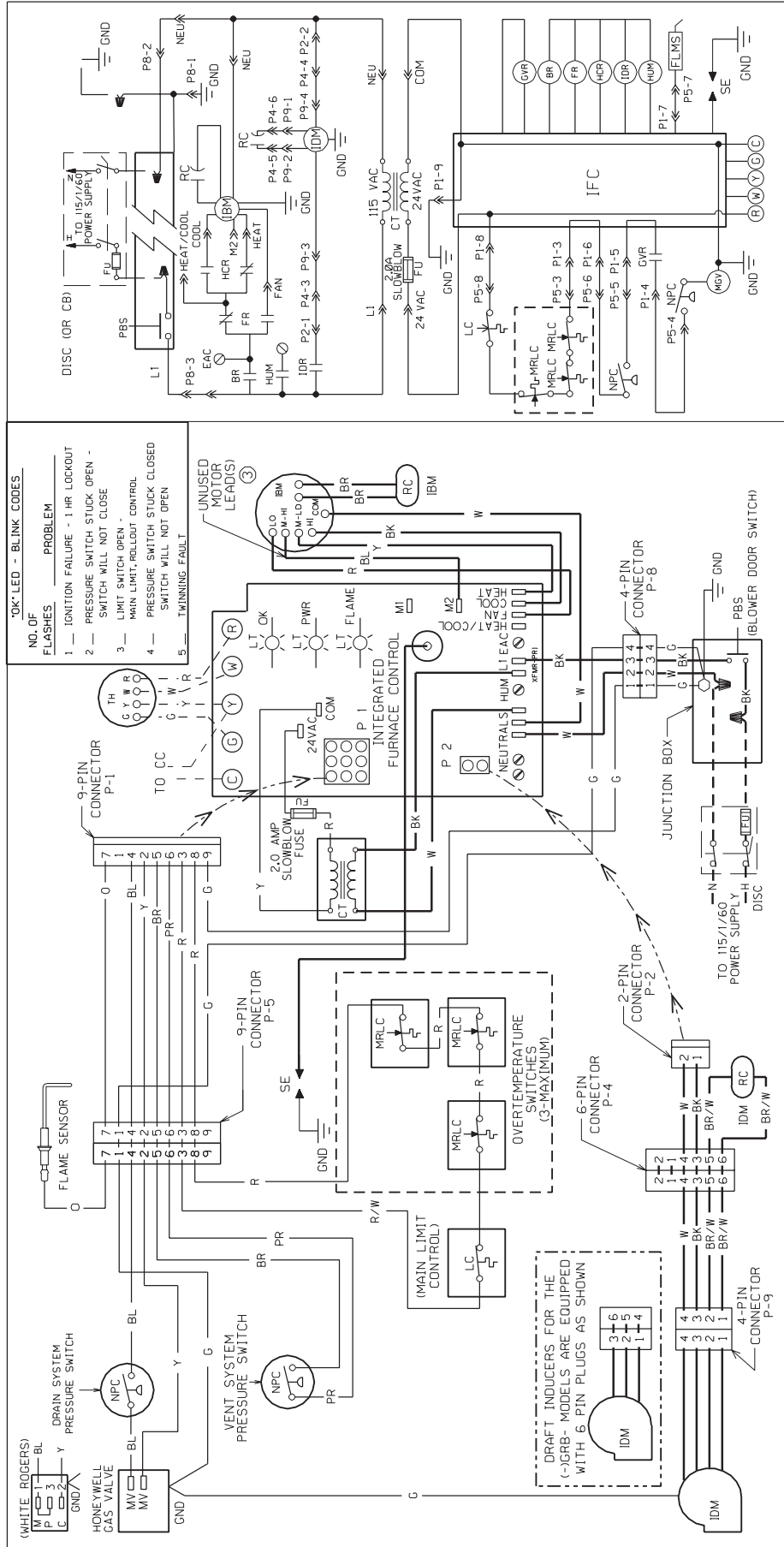
BLINK CODES (GREEN LED)
 1 Blink - Soft lockout
 Reset System power and start over from beginning
 2 Blinks - PS Circuit open
 go to point "F."
 3 Blinks - Limit circuit open
 go to point "D."
 4 Blinks - PS Circuit closed
 Go to point "G."
 5 Blinks - Twin Fault (Optional)
 *Go to point "H."



REPEAT THIS PROCEDURE UNTIL TROUBLE-FREE OPERATION IS OBTAINED.

92-101654-01-00

FIGURE 57
 (-GRA/(-)GRB MODELS WITH UT ELECTRONIC CONTROLS 1028-928 & SPARK IGNITION



COMPONENT CODE

| | |
|------|---------------------------|
| ALC | AUX. LIMIT CONTROL (TEMP) |
| BR | BLOWER RELAY |
| CC | COMPRESSOR CONTACTOR |
| CT | CONTROL TRANSFORMER |
| DISC | DISCONNECT SWITCH |
| EAC | ELECTRIC AIR CLEANER |
| FR | FAN RELAY |
| FLMS | FAN FLAME SENSOR |
| FU | FUSE |
| GND | GROUND |
| GVR | GAS VALVE RELAY |
| HCR | HEAT/COOL RELAY |
| HUM | HUMIDIFIER RELAY |
| IDM | INDUCED DRAFT MOTOR |
| IBM | INDUCED DRAFT MOTOR |
| IDR | INDUCED DRAFT RELAY |
| IFC | INTRGRD FURNACE CNTRL |
| IR | IGNITION RELAY |
| LC | LIMIT CONTROL |
| MGV | MAIN GAS VALVE |
| MRLC | MAIN RESET LIMIT CNTRL |
| MV | MAIN VALVE |
| NPC | NEG. PRESSURE CNTRL |
| PBS | PUSH BUTTON SWITCH |
| PL | PLUG |
| RC | RUN CAPACITOR |
| SE | SPARK IGNIT. ELECTRODE |
| TH | THERMOSTAT (H/C) |
| ▲ | WIRE NUT |

WIRE COLOR CODE

| | | | |
|----|-------|----|--------|
| BK | BLACK | O | ORANGE |
| BR | BROWN | PR | PURPLE |
| BL | BLUE | R | RED |
| G | GREEN | W | WHITE |
| GY | GRAY | Y | YELLOW |

WIRING INFORMATION

- LINE VOLTAGE
- FACTORY STANDARD
- FACTORY OPTION
- FIELD INSTALLED
- LOW VOLTAGE
- FACTORY STANDARD
- FIELD INSTALLED
- REPLACEMENT WIRE
- MUST BE THE SAME SIZE AND TYPE OF INSULATION AS ORIGINAL (105 C.MIN.)
- WARNING
- CABINET MUST BE PERMANENTLY GROUNDED AND CONFORM TO I.E.C., N.E.C., C.E.C., NATIONAL WIRING REGULATIONS, AND LOCAL CODES AS APPLICABLE.

NOTES:

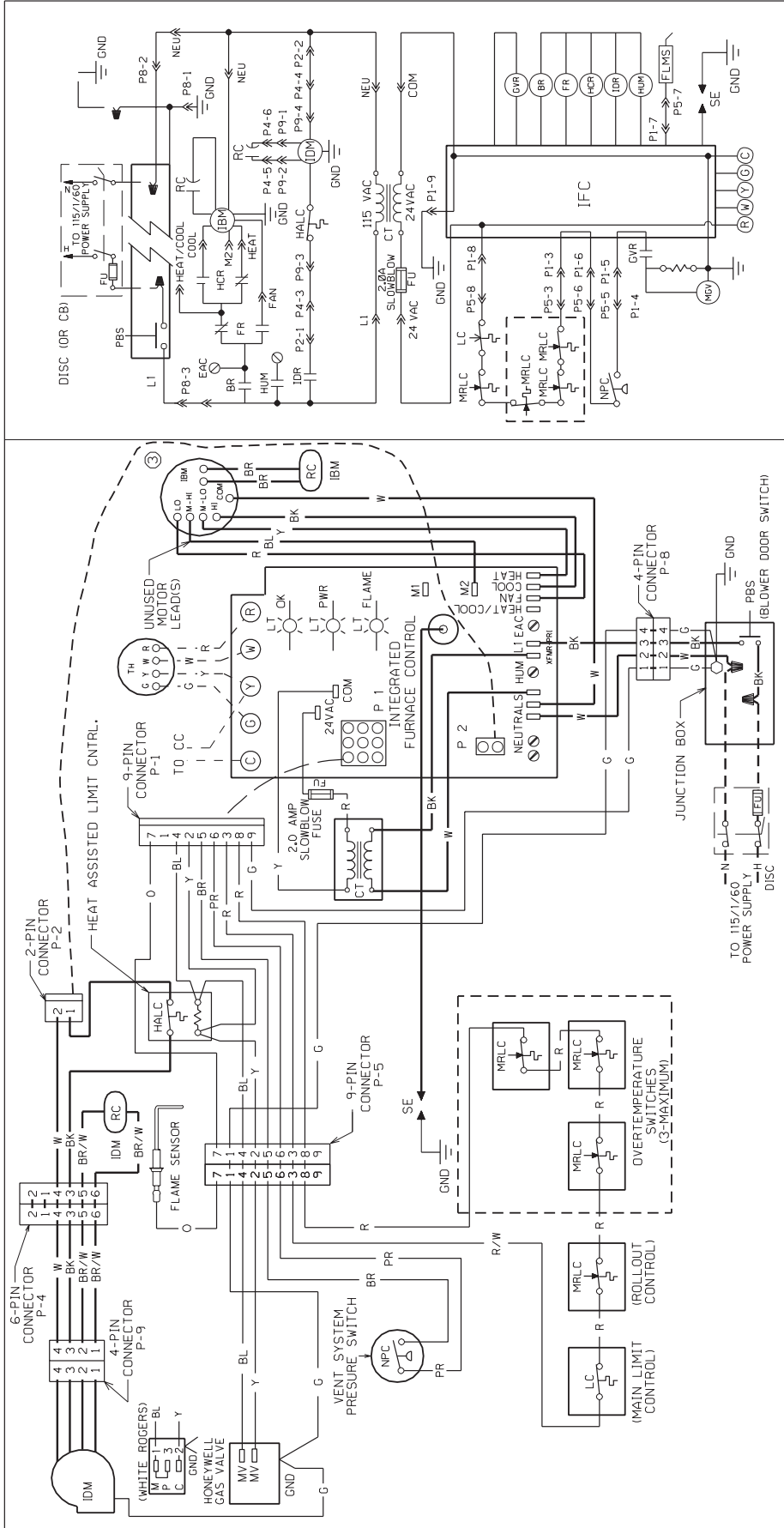
- REFER TO SPEC SHEET FOR ACTUAL FACTORY MOTOR TAG PLACEMENT OF HEAT & "LOW" AS SOME MODELS MAY BE DIFFERENT THAN SHOWN HERE. ALSO, REFER TO SPEC SHEET OR INSTALLATION MANUAL IF WIRING OF HEAT AND/OR COOL SPEEDS IS NOT DESIRABLE.
- CONNECT UNUSED MOTOR LEADS TO MI AND/OR ME.
- MODELS WITH 3 SPEED MOTOR - BLUE LEAD IS FOR MEDIUM SPEED NO YELLOW LEAD ON MOTOR

ELECTRICAL WIRING DIAGRAM

UPFLOW BLOWER INDUCED DRAFT
 GAS FURNACE HEAT EXCHANGER
 SINGLE STAGE COOL
 DIRECT SPARK IGNITION

DR. BY: JIM APP. BY: DATE: 7-11-96 DWG. NO.: 90-24007-04 REV: 06

FIGURE 58
 (-)GTA MODELS WITH UT ELECTRONIC CONTROLS 1028-928 & SPARK IGNITION



| COMPONENT CODE | WIRING INFORMATION | WIRE COLOR CODE | ELECTRICAL WIRING DIAGRAM |
|--|--|--|---|
| ALC AUX. LIMIT CONTROL (TEMP) BR BLOWER RELAY CONTACTOR C COMPRESSOR D CONTROL TRANSFORMER DISC DISCONNECT SWITCH EAC ELECTRIC AIR CLEANER FAN FAN RELAY FLMS FLAME SENSOR FUSE FUSE GND GROUND GVR GAS VALVE RELAY HALC HEAT ASSISTED LIMIT CNTRL HCR HEAT/COOL RELAY HUM HUMIDIFIER RELAY IBM INDOOR BLOWER MOTOR IDR INDUCED DRAFT RELAY | ① IF FACTORY WIRING OF HEATING AND COOLING SPEEDS IS NOT DESIRABLE REFER TO SPEC. SHEET FOR APPROPRIATE SPEEDS. ② CONNECT UNUSED MOTOR LEADS TO M1 AND/OR M2. ③ MODELS WITH 3 SPEED MOTOR - BLUE LEAD IS FOR MEDIUM SPEED NO YELLOW LEAD ON MOTOR | BK --- BLACK BR --- BROWN BL --- BLUE G --- GREEN GR --- GRAY O --- ORANGE PR --- PURPLE R --- RED W --- WHITE Y --- YELLOW | DOWNFLOW & HORIZONTAL BLOWER INDUCED DRAFT GAS FIRED, FORCED AIR FURNACE SINGLE STAGE HEAT INSULATION AS ORIGINAL (105 C MIN) WARNING -CABINET MUST BE PERMANENTLY GROUNDED AND CONFORM TO I.E.C., N.E.C., C.E.C. AND LOCAL CODES AS APPLICABLE. |
| IFC INTEGRATED FURNACE CNTRL IDR INDUCED DRAFT RELAY M1 MOTOR M2 MOTOR MRLC MAIN LIMIT CONTROL MV MAIN GAS VALVE NPC NEG. PRESSURE SWITCH PBS PUSH BUTTON SWITCH PLUG PLUG RC RUN CAPACITOR SE SPARK IGNIT. ELECTRODE TH THERMOSTAT (H/C) | LINE VOLTAGE --- FACTORY STANDARD --- FACTORY OPTION --- FIELD INSTALLED --- FIELD INSTALLED --- FACTORY STANDARD --- FACTORY OPTION --- FIELD INSTALLED --- MUST BE THE SAME SIZE AND TYPE OF INSULATION AS ORIGINAL (105 C MIN) WARNING --- CABINET MUST BE PERMANENTLY GROUNDED AND CONFORM TO I.E.C., N.E.C., C.E.C. AND LOCAL CODES AS APPLICABLE. | | DR. BY VAP APP. BY DATE 5-11-98 DWG. NO. 90-24007-05 REV. 03 |

