



RGRA

Parts List
08-August-2014



*This parts list is current as of the above revision date.
See <http://www.rheempartslists.net/92-42800-RGRA.pdf> for the current revision.*

90% Gas Furnaces

Table of Contents

Model Explanation	Page 3
Parts Numbers	
Panels - Miscellaneous	Page 4
Electrical Group	Page 5
Blower Group.....	Page 5
Heat Exchanger-Burner Group.....	Page 6
Gas Controls	Page 7
Orifice Selection Chart.....	Page 8
Drawings/Photographs	
Exploded View	Page 9
Blower Assembly	Page 10
Burner Assembly	Page 11
Notes/Disclaimer	Page 12

MODEL NUMBER EXPLANATION

R	G	R	A	-	0	4	E	M	A	E	S
(1)	(2)	(3)	(4)		(5)			(6)	(7)	(8)	(9)

(1) TRADEBRAND IDENTIFICATION

(2) MODEL
G = Gas Furnace

(3) TYPE
R = Upflow Condensing

(4) DESIGN SERIES

(5) HEATING INPUT DESIGNATION

04	45,000	BTU/HR
06	60,000	BTU/HR
07	75,000	BTU/HR
09	90,000	BTU/HR
10	105,000	BTU/HR
12	120,000	BTU/HR

E = Electric
N = NOX

(6) BLOWER DESIGNATION

M = 11 x 7
R = 11 x 10
Z = 12 x 11
Y = 12 x 7

(7) VARIATIONS
A = Standard
B = Wide Cabinet

(8) AIRFLOW
E = 1100-1300 CFM
G = 1500-1700 CFM
J = 1900-2100 CFM

(9) FUEL DESIGNATION
B = Canadian - Natural Gas
S = U.S. - Natural Gas

SERIAL NUMBER EXPLANATION

D	G	5	D	7	0	7	F	3	1	9	5	9	9	9	9
(1)		(2)	(3)	(4)	(5)	(6)	(7)		(8)	(9)		(10)			

(1) GAS CODE

(2) LIMIT CONTROL

(3) BLOWER

(4) HEATING ELEMENT

(5) SPECIAL AREA REQUIREMENT

(6) MOTOR HORSEPOWER

(7) PLANT
F = Fort Smith, AR

(8) WEEK

(9) YEAR

(10) PRODUCTION NUMBER

No.	Notes	MODEL HEATING CAPACITY BLOWER DESIGNATION VARIATION AIRFLOW	RGRA	RGRA	RGRA	RGRA	RGRA	RGRA	RGRA
			04 M A E	06 M A E	07 M A E	07 Y B G	09 Z A J	10 Z A J	12 R A J
PANELS, SHEET METAL, MISCELLANEOUS									
1	3	Jacket (See Note 3)	N/A	N/A	N/A	N/A	N/A	N/A	N/A
4	4	Outlet Air Pipe - See Note 4	68-24021-01	68-24021-01	68-24021-01	68-24021-01	68-24021-01	68-24021-01	68-24021-01
5		Gasket - Outlet Air Pipe	68-24022-02	68-24022-02	68-24022-02	68-24022-02	68-24022-02	68-24022-02	68-24022-02
6	4	Top Plate - See Note 4	AS-61872-01	AS-61872-01	AS-61872-01	AS-61872-02	AS-61872-02	AS-61872-02	AS-61872-03
		Gasket - Top Plate	AE-61871-01	AE-61871-01	AE-61871-01	AE-61871-02	AE-61871-02	AE-61871-02	AE-61871-03
		Gasket - Front Base Angle	68-102435-01	68-102435-01	68-102435-01	68-102435-02	68-102435-02	68-102435-02	68-102435-03
7		Locknut - Fresh Air Damper	64-24031-01	64-24031-01	64-24031-01	64-24031-01	64-24031-01	64-24031-01	64-24031-01
8		Burner Compartment Door (Neutra Green)	AS-61905-01	AS-61905-01	AS-61905-01	AS-61906-01	AS-61906-01	AS-61906-01	AS-61907-01
8		Burner Compartment Door (Granite/Steel Gray)	AS-61905-03	AS-61905-03	N/A	N/A	AS-61906-02	AS-61906-02	AS-61907-02
9		Blower/Filter Door (Neutra Green)	AS-61908-03	AS-61908-03	AS-61908-03	AS-61909-03	AS-61909-03	AS-61909-03	AS-61910-03
9		Blower/Filter Door (Granite/Steel Gray)	AS-61908-04	AS-61908-04	N/A	N/A	AS-61909-04	AS-61909-04	AS-61910-04
10		Filter - Plastic	54-24094-01	54-24094-01	54-24094-01	54-24094-02	54-24094-02	54-24094-02	54-24094-03
		Filter Retainer Rod	45-24095-01	45-24095-01	45-24095-01	45-24095-01	45-24095-01	45-24095-01	45-24095-01
		Filter Rod Support Angle	AE-60520-01	AE-60520-01	AE-60520-01	AE-60520-01	AE-60520-01	AE-60520-01	AE-60520-01
		Filter Support Angle	AE-61883-01	AE-61883-01	AE-61883-01	AE-61883-01	AE-61883-01	AE-61883-01	AE-61883-01
11		Solid Bottom	AE-61874-02	AE-61874-02	AE-61874-02	AE-61874-03	AE-61874-03	AE-61874-03	AE-61874-04
12		Pressure Switch Assembly	See Electrical Group						
13		Trap/Elbow Assembly	68-24048-01	68-24048-01	68-24048-01	68-24048-01	68-24048-01	68-24048-01	68-24048-01
14		Water Trap Mount Bracket	AE-61841-01	AE-61841-01	AE-61841-01	AE-61841-01	AE-61841-01	AE-61841-01	AE-61841-01
15		Junction Box Cover	AE-61476-02	AE-61476-02	AE-61476-02	AE-61476-02	AE-61476-02	AE-61476-02	AE-61476-02
16		Door Switch (Push Button)	See Electrical Group						
17		Junction Box	AE-61475-02	AE-61475-02	AE-61475-02	AE-61475-02	AE-61475-02	AE-61475-02	AE-61475-02
28		Heat Exchanger	See Heat Exchanger Group						
29		Limit - Main Limit (Heat Exchanger Panel)	See Electrical Group						
30		Connector/Transition	68-24047-07	68-24047-07	68-24047-07	68-24047-08	68-24047-08	68-24047-08	68-24047-09
31		Induced Draft Blower w/Gasket	See Electrical Group						
A		Button Plug - 2 in. opening	45-22980-08	45-22980-08	45-22980-08	45-22980-08	45-22980-08	45-22980-08	45-22980-08
B		Button Plug - 2-3/8 in. opening (2)	45-22980-03	45-22980-03	45-22980-03	45-22980-03	45-22980-03	45-22980-03	45-22980-03
C		Silicon Tubing for Pressure Switch (2)	AE-61737-10	AE-61737-10	AE-61737-10	AE-61737-10	AE-61737-10	AE-61737-10	AE-61737-10
D		Hose Clamp (6)	64-22043-02	64-22043-02	64-22043-02	64-22043-02	64-22043-02	64-22043-02	64-22043-02
E		Elbow (Induced Draft Blower - 1/2 in. barbed)	68-24013-01	68-24013-01	68-24013-01	68-24013-01	68-24013-01	68-24013-01	68-24013-01
F		Grommet - 7/8 in. I.D. (1 5/8 in. groove diameter) - Before F3906	56-22114-01	56-22114-01	56-22114-01	56-22114-01	56-22114-01	56-22114-01	56-22114-01
F		Grommet - 7/8 in. I.D. (2 in. groove diameter) - After F3906	56-22114-06	56-22114-06	56-22114-06	56-22114-06	56-22114-06	56-22114-06	56-22114-06
G		Tubing - Includes Two Hose Clamps (3)	79-25353-82	79-25353-82	79-25353-82	79-25353-82	79-25353-82	79-25353-82	79-25353-82
		Tubing (Drain Trap to Induced Draft Blower - Includes two Hose Clamps)	791000	791000	791000	791001	791001	791001	791001
		Grommet - 19/32 in. I.D. (7/8 in. groove diameter)	56-22521-03	56-22521-03	56-22521-03	56-22521-03	56-22521-03	56-22521-03	56-22521-03
		Grommet- 1/2 in. I.D. (5/8 in. groove diameter)	56-24008-01	56-24008-01	56-24008-01	56-24008-01	56-24008-01	56-24008-01	56-24008-01
		Grommet -1/4 in. I.D. (3/8 in. groove diameter)	56-24008-02	56-24008-02	56-24008-02	56-24008-02	56-24008-02	56-24008-02	56-24008-02
		Touch-up Paint - Platinum (Aerosol)	523012	523012	523012	523012	523012	523012	523012
		Touch-up Paint - Platinum (Paint Pens)	523013	523013	523013	523013	523013	523013	523013
		Touch-up Paint - Green (Aerosol)	52-18662-48	52-18662-48	52-18662-48	52-18662-48	52-18662-48	52-18662-48	52-18662-48
		Touch-up Paint - Green (Paint Pens)	523010	523010	523010	523010	523010	523010	523010
		Touch-up Paint - Granite/Steel Gray (Aerosol)	PD523018	PD523018	PD523018	PD523018	PD523018	PD523018	PD523018
		Touch-up Paint - Granite/Steel Gray (Paint Pens)	PD523019	PD523019	PD523019	PD523019	PD523019	PD523019	PD523019

No.	Notes	MODEL HEATING CAPACITY BLOWER DESIGNATION VARIATION AIRFLOW	RGRA						
			ALL ALL ALL ALL						
PARTS BAG									
		Complete Parts Bag	AS-100717-01						
2		O-Ring - Fresh Air Damper	68-24032-01						
3		Adapter - Fresh Air Damper and Locknut	68-24114-01						
		1/2 in. Tee	68-21980-02						
		1/2 in. PVC Pipe - 4 in.	68-22024-04						
		Plug - Nylon - 7/8 in.	45-22926-01						
		Plug - Nylon - 1-1/8 in.	45-22926-02						
		PVC Vane	68-23473-01						
		PVC Wind Vane - 2-1/2 in.	68-24049-01						
		Hose Clamp	64-22043-01						
		Hose Clamp (2)	64-22043-02						

No.	Notes	MODEL HEATING CAPACITY BLOWER DESIGNATION VARIATION AIRFLOW	RGRA	RGRA	RGRA	RGRA	RGRA	RGRA	RGRA
			04 M A E	06 M A E	07 M A E	07 Y B G	09 Z A J	10 Z A J	12 R A J
ELECTRIC GROUP									
12a	Stk	Pressure Switch - Drain	42-24012-02	42-24012-02	42-24012-02	42-24012-02	42-24012-02	42-24012-02	42-24012-02
12b	Stk	Pressure Switch - Vent	42-24012-01	42-24012-05	42-24012-01	42-24012-01	42-24012-01	42-24012-05	42-24012-04
12b	Stk	Pressure Switch - Vent (278 Option)	42-101956-03	42-101956-03	42-101956-06	42-101956-06	42-101956-03	42-101956-03	42-101956-07
16	Stk	Door Switch - Push Button	42-22692-02	42-22692-02	42-22692-02	42-22692-02	42-22692-02	42-22692-02	42-22692-02
19	Stk	Transformer	46-24124-03	46-24124-03	46-24124-03	46-24124-03	46-24124-03	46-24124-03	46-24124-03
21		Integrated Furnace Control Board (IFC)	See Gas Controls						
22		Capacitor - Blower Motor	See Blower Group						
23	Stk	Capacitor - Induced Draft Blower	43-100496-44	43-100496-44	43-100496-44	43-100496-44	43-100496-44	43-100496-44	43-100496-44
29	Stk	Limit - Main Limit (Heat Exchanger Panel)	47-25350-06	47-25350-05	47-25350-09	47-25350-01	47-25350-01	47-25350-01	47-25350-07
31	Stk	Induced Draft Blower w/Gasket	70-24033-01	70-24033-01	70-24033-01	70-24033-01	70-24033-01	70-24033-01	70-24033-01
34a	Stk	Limit - Manual Reset (Burner Compartment)	47-22861-02 (1)	47-22861-02 (1)	47-22861-02 (2)	47-22861-02 (2)	47-22861-02 (2)	47-22861-02 (2)	47-22861-02 (3)
		Hot Surface and Direct Spark Wiring Harness - 9 pin from board to (9 pin/4 pin), 8 wires from 9 pin	45-24371-01	45-24371-01	45-24371-01	45-24371-01	45-24371-01	45-24371-01	45-24371-01
		Direct Spark Wiring Harness - 4 pin to 2 ring terminals/1 straight terminal/1 strip back	45-24371-12	45-24371-12	45-24371-12	45-24371-12	45-24371-12	45-24371-12	45-24371-12
		Direct Spark Wiring Harness - Before F1702 - 9 pin to 8 terminals and 6 pin to 4 pin, w/Grommet, 8 wires from 9 pin	45-24089-07	45-24089-07	45-24089-07	45-24089-07	45-24089-07	45-24089-07	45-24089-07
		Direct Spark Wiring Harness - After F1702 - 9 pin to 8 terminals and 6 pin to 4 pin, w/Twist Lock, 8 wires from 9 pin	45-24393-01	45-24393-01	45-24393-01	45-24393-01	45-24393-01	45-24393-01	45-24393-01
		Direct Spark Wiring Harness - 2 pin from board to (6 pin with 2 flag terminals), 4 wires from 6 pin	45-24371-27	45-24371-27	45-24371-27	45-24371-27	45-24371-27	45-24371-27	45-24371-27
		Hot Surface Wiring Harness - Before F1702 - 9 pin to 8 terminals and 6 pin to 4 pin and 2 pin, w/Grommet, 8 wires from 9 pin	45-24089-05	45-24089-05	45-24089-05	45-24089-05	45-24089-05	45-24089-05	45-24089-05
		Hot Surface Wiring Harness - After F1702 - 9 pin to 8 terminals and 6 pin to 4 pin and 2 pin, w/Twist Lock, 8 wires from 9 pin	45-24393-03	45-24393-03	45-24393-03	45-24393-03	45-24393-03	45-24393-03	45-24393-03
		Hot Surface Wiring Harness - 6 pin from board to (6 pin with 2 flag terminals), 4 wires on 6 pin from board	AS-61703-04	AS-61703-04	AS-61703-04	AS-61703-04	AS-61703-04	AS-61703-04	AS-61703-04

No.	Notes	MODEL HEATING CAPACITY BLOWER DESIGNATION VARIATION AIRFLOW	RGRA	RGRA	RGRA	RGRA	RGRA	RGRA	RGRA
			04 M A E	06 M A E	07 M A E	07 Y B G	09 Z A J	10 Z A J	12 R A J
BLOWER GROUP									
18	Stk	Blower Assembly (Includes items 22, 24-27)	AS-61697-15	AS-61697-15	AS-61697-15	AS-61697-19	AS-61697-18	AS-61697-18	AS-61697-13
19		Transformer w/Fuse	See Electrical Group						
20		Mounting Plate - Control	AE-67877-01	AE-67877-01	AE-67877-01	AE-67877-01	AE-67877-01	AE-67877-01	AE-67877-01
21		Integrated Furnace Control Board (IFC)	See Gas Controls						
22	Stk	Capacitor - Blower Motor	43-21298-42	43-21298-42	43-100509-42	43-100509-43	43-100509-43	43-100509-43	43-100509-43
23		Capacitor - Induced Draft Blower	See Electrical Group						
24	Stk	Blower Motor	51-24042-01	51-24042-01	51-24042-01	51-26192-01	51-26192-01	51-26192-01	51-26192-01
25		Motor Mount Leg (4)	AE-61698-02	AE-61698-02	AE-61698-02	AE-61698-02	AE-61698-02	AE-61698-02	AE-61698-02
26		Housing	AS-61674-02	AS-61674-02	AS-61674-02	AS-61674-02	AS-61674-08	AS-61674-08	AS-61674-03
27	Stk	Blower Wheel	70-22688-01	70-22688-01	70-22688-01	70-24119-01	70-24041-01	70-24041-01	70-20602-01

No.	Notes	MODEL HEATING CAPACITY BLOWER DESIGNATION VARIATION AIRFLOW	RGRA	RGRA	RGRA	RGRA	RGRA	RGRA	RGRA
			04 M A E	06 M A E	07 M A E	07 Y B G	09 Z A J	10 Z A J	12 R A J
HEAT EXCHANGER, BURNER / MANIFOLD									
28	Stk	Heat Exchanger	AS-61849-01	AS-61849-02	AS-61849-03	AS-61849-05	AS-61849-04	AS-61849-06	AS-61849-07
29		Limit - Main Limit (Heat Exchanger Panel)	See Electrical Group						
31		Induced Draft Blower w/Gasket	See Electrical Group						
32	Stk	Burner Tubes - Before F1799	75-24001-01 (3)	75-24001-01 (4)	75-24001-01 (5)	75-24001-01 (5)	75-24001-01 (6)	75-24001-01 (7)	75-24001-01 (8)
32	Stk	Burner Assembly - After F1799	AS-61984-03	AS-61984-04	AS-61984-05	AS-61984-05	AS-61984-06	AS-61984-07	AS-61984-08
		NOX Burner Inserts - After F1799	AE-67863-01 (2)	AE-67863-01 (3)	AE-67863-01 (4)	AE-67863-01 (4)	AE-67863-01 (5)	AE-67863-01 (6)	AE-67863-01 (7)
		NOX Retaining Bracket - After F1799	AE-67864-06	AE-67864-01	AE-67864-02	AE-67864-02	AE-67864-03	AE-67864-04	AE-67864-05
33		Burner Diffuser	AE-61882-12	AE-61882-11	AE-61882-07	AE-61882-07	AE-61882-08	AE-61882-09	AE-61882-10
34a		Limit - Manual Reset (Burner Compartment)	See Electrical Group						
34b		Limit Control Bracket - Before F1799	AE-61913-01 (1)	AE-61913-01 (1)	AE-61913-01 (2)	AE-61913-01 (2)	AE-61913-01 (2)	AE-61913-01 (2)	AE-61913-01 (3)
34b		Limit Control Bracket - After F1799	AE-61913-02 (1)	AE-61913-02 (1)	AE-61913-02 (2)	AE-61913-02 (2)	AE-61913-02 (2)	AE-61913-02 (2)	AE-61913-02 (3)
35		Burner Shield	AE-61807-01	AE-61807-02	AE-61807-03	AE-61807-03	AE-61807-04	AE-61807-05	AE-61807-06
36	Stk	Manifold (w/o Orifices) - Before F1799	AS-61815-01	AS-61815-02	AS-61815-03	AS-61815-03	AS-61815-04	AS-61815-05	AS-61815-06
36	Stk	Manifold (w/o Orifices) - F1799 thru F1906	81-101150-01	81-101150-02	81-101150-03	81-101150-03	81-101150-04	81-101150-05	81-101150-06
36	Stk	Manifold (w/o Orifices) - After F1906	81-24395-01	81-24395-02	81-24395-03	81-24395-03	81-24395-04	81-24395-05	81-24395-06
37		Burner Orifice - Natural Gas	See Orifice Selection Chart						
37		Burner Orifice - LP	See Orifice Selection Chart						
37		Number of Orifices	(3)	(4)	(5)	(5)	(6)	(7)	(8)
39		Flame Sensor	See Gas Controls						
40	Stk	Ignitor - Direct Spark Ignition	62-24141-04	62-24141-04	62-24141-04	62-24141-04	62-24141-04	62-24141-04	62-24141-04
41		Burner Support - Before F1799	AE-61809-01	AE-61809-02	AE-61809-03	AE-61809-03	AE-61809-04	AE-61809-05	AE-61809-06
41		Burner Support - After F1799	AE-61809-11	AE-61809-12	AE-61809-13	AE-61809-13	AE-61809-14	AE-61809-15	AE-61809-16
42		Burner Support Bracket (2)	AE-61808-01	AE-61808-01	AE-61808-01	AE-61808-01	AE-61808-01	AE-61808-01	AE-61808-01
43	Stk	Ignitor - Hot Surface Ignition	62-22868-02	62-22868-02	62-22868-02	62-22868-02	62-22868-02	62-22868-02	62-22868-02
44		Ignitor Shield - Hot Surface Ignition	AE-61627-01	AE-61627-01	AE-61627-01	AE-61627-01	AE-61627-01	AE-61627-01	AE-61627-01
45		Bracket - Hot Surface Ignition	AE-61581-01	AE-61581-01	AE-61581-01	AE-61581-01	AE-61581-01	AE-61581-01	AE-61581-01
		Bracket - Direct Spark Ignition - Before F0502	AE-61885-01	AE-61885-01	AE-61885-01	AE-61885-01	AE-61885-01	AE-61885-01	AE-61885-01
		Bracket - Direct Spark Ignition - After F0502	AE-61885-02	AE-61885-02	AE-61885-02	AE-61885-02	AE-61885-02	AE-61885-02	AE-61885-02

No.	Notes	MODEL GAS CODE	RGRA DC	RGRA DF	RGRA DG	RGRA DH
GAS CONTROLS						
21	Stk	Integrated Furnace Control Board (IFC)	62-24044-01	62-24084-01	62-24084-02	62-24044-01
38	Stk,2	Gas Valve - Natural Gas	60-22866-01	60-22866-01	60-23490-01	60-23490-01
38	Stk	Gas Valve - LP	See Note 2	See Note 2	See Note 2	See Note 2
39	Stk	Flame Sensor	62-23543-01	62-23543-01	62-23543-01	62-23543-01
40		Ignitor	See Heat Exchanger Group			
	Stk	LP Conversion Kit - US	FP-02	FP-02	FP-02	FP-02
	Stk	LP Conversion Kit - Canada	FP-05	FP-05	FP-05	FP-05

No.	Notes	MODEL GAS CODE	RGRA EH	RGRA EJ	RGRA EK	RGRA EL
GAS CONTROLS						
21	Stk	Integrated Furnace Control Board (IFC)	62-24136-03	62-24140-04	62-24136-03	62-24140-04
38	Stk,2	Gas Valve - Natural Gas	60-22866-01	60-22866-01	60-23490-01	60-23490-01
38	Stk	Gas Valve - LP	See Note 2	See Note 2	See Note 2	See Note 2
39	Stk	Flame Sensor	62-23543-01	62-23543-01	62-23543-01	62-23543-01
40		Ignitor	See Heat Exchanger Group			
		LP Conversion Kit - Canada				
	Stk	LP Conversion Kit - US	FP-02	FP-02	FP-02	FP-02
	Stk	LP Conversion Kit - Canada	FP-05	FP-05	FP-05	FP-05

No.	Notes	MODEL GAS CODE	RGRA FY	RGRA FZ		
GAS CONTROLS						
21	Stk	Integrated Furnace Control Board (IFC)	62-24140-04	62-24136-03		
38	Stk,2	Gas Valve - Natural Gas	60-100394-02	60-100394-01		
38	Stk	Gas Valve - LP	See Note 2	See Note 2		
39	Stk	Flame Sensor	62-23543-01	62-23543-01		
40		Ignitor	See Heat Exchanger Group			
	Stk	LP Conversion Kit - U.S. Models	FP-02	FP-02		
	Stk	LP Conversion Kit - Canadian Models	FP-02	FP-05		

90% GAS FURNACE - ORIFICE SELECTION CHART - NATURAL GAS

CAUTION: Selection of the correct Natural Gas Orifice requires the following information for the specific installation:

- 1) Altitude in of the installation (ft.).
- 2) Average energy content of the Natural Gas fuel from the local supplier (BTU/cu. ft.).

For detailed information and instructions for Orifice selection, see the Gas Furnace LP Conversion Kit Index 92-21519-59 and the latest edition of the National Fuel Gas Code Handbook, or the National Standard of Canada, Natural Gas and Propane Installation Code, CAN B149.1.

CAUTION: This information is provided for replacement purposes only. Conversion for operation at High Altitude must be done using the kit specified on the product specification sheet for the unit.

NOTE: This Orifice sizing chart is based on 15,000 BTU/HR per burner.

NOTE: Factory installed orifices are calculated and sized based on a Natural Gas heating value of 1075 BTU/cu. ft. and an elevation of 0 - 2000 ft.

Energy Value (BTU/cu. ft.)	Elevation (ft.)							
	0 - 1999	2000 - 2999	3000 - 3999	4000 - 4999	5000 - 5999	6000 - 6999	7000 - 7999	8000 - 8999
850	62-22175-47	62-22175-48	62-22175-48	62-22175-49	62-22175-49	62-22175-49	62-22175-50	62-22175-50
900	62-22175-48	62-22175-49	62-22175-49	62-22175-49	62-22175-50	62-22175-50	62-22175-50	62-22175-51
975	62-22175-49	62-22175-50	62-22175-50	62-22175-50	62-22175-51	62-22175-51	62-22175-51	62-22175-52
1075	62-22175-50	62-22175-51	62-22175-51	62-22175-51	62-22175-51	62-22175-52	62-22175-52	62-22175-52
1170	62-22175-51	62-22175-51	62-22175-52	62-22175-52	62-22175-52	62-22175-53	62-22175-53	62-22175-53

90% GAS FURNACE - ORIFICE SELECTION CHART - LP

CAUTION: Selection of the correct LP Orifice requires the altitude of the specific installation (ft.).

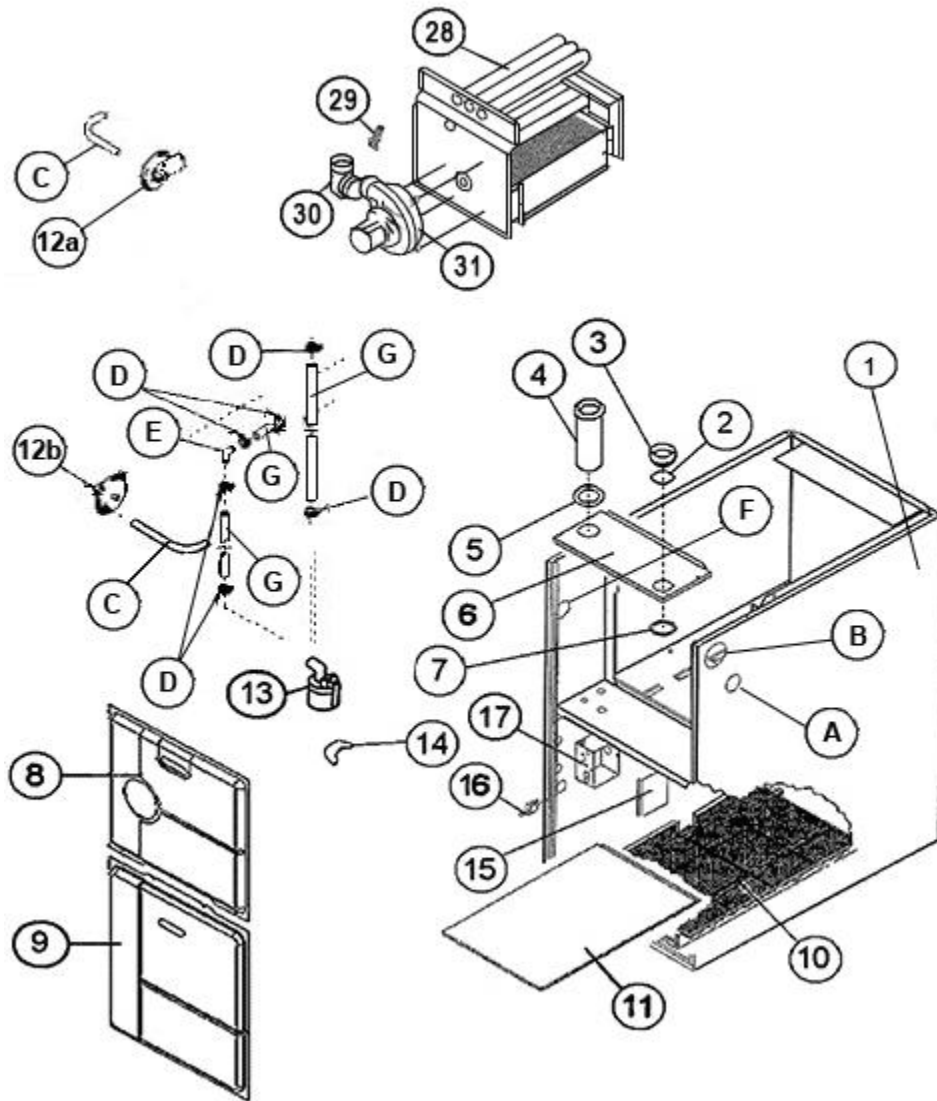
For detailed information and instructions for Orifice selection, see the Gas Furnace LP Conversion Kit Index 92-21519-59 and the latest edition of the National Fuel Gas Code Handbook (NFG), or the National Standard of Canada, Natural Gas and Propane Installation Code, CAN B149.1.

CAUTION: This information is provided for replacement purposes only. Conversion to LP or for operation at High Altitude should be done using the kit(s) specified on the product specification sheet for the unit.

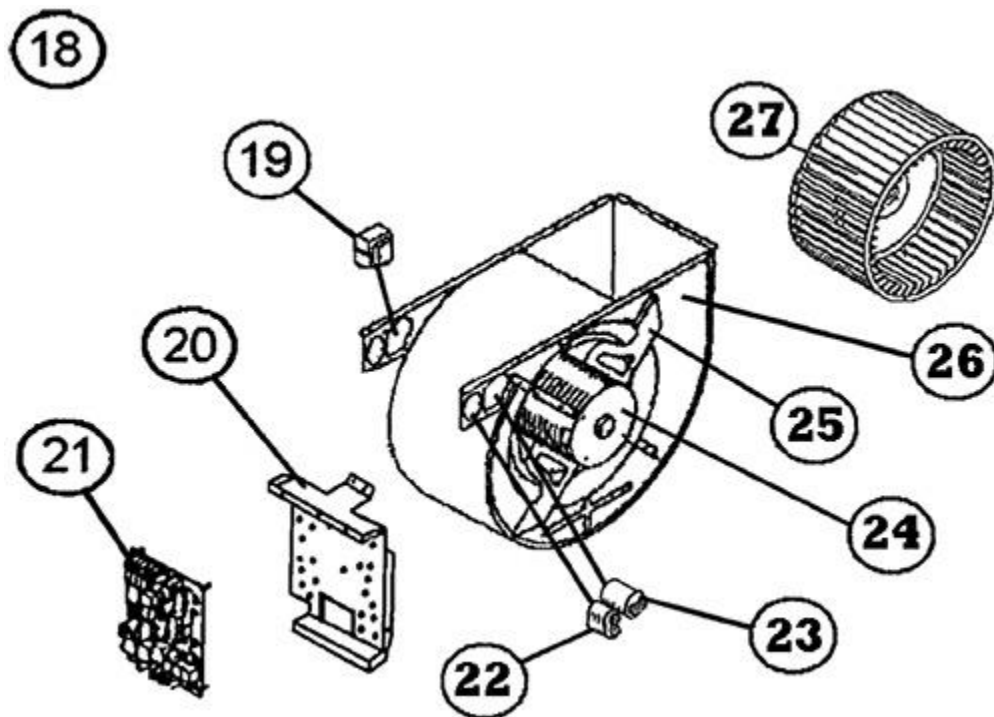
NOTE: This Orifice sizing chart is based on 15,000 BTU/HR per burner. Also, the chart is developed using the specified pressure setting of 10 in. water column instead of the 11.0 in water column used by the NFG and CANB149.1.

NOTE: Orifices supplied in the LP Conversion Kit are calculated and sized based on an altitude of 0 - 2000 ft.

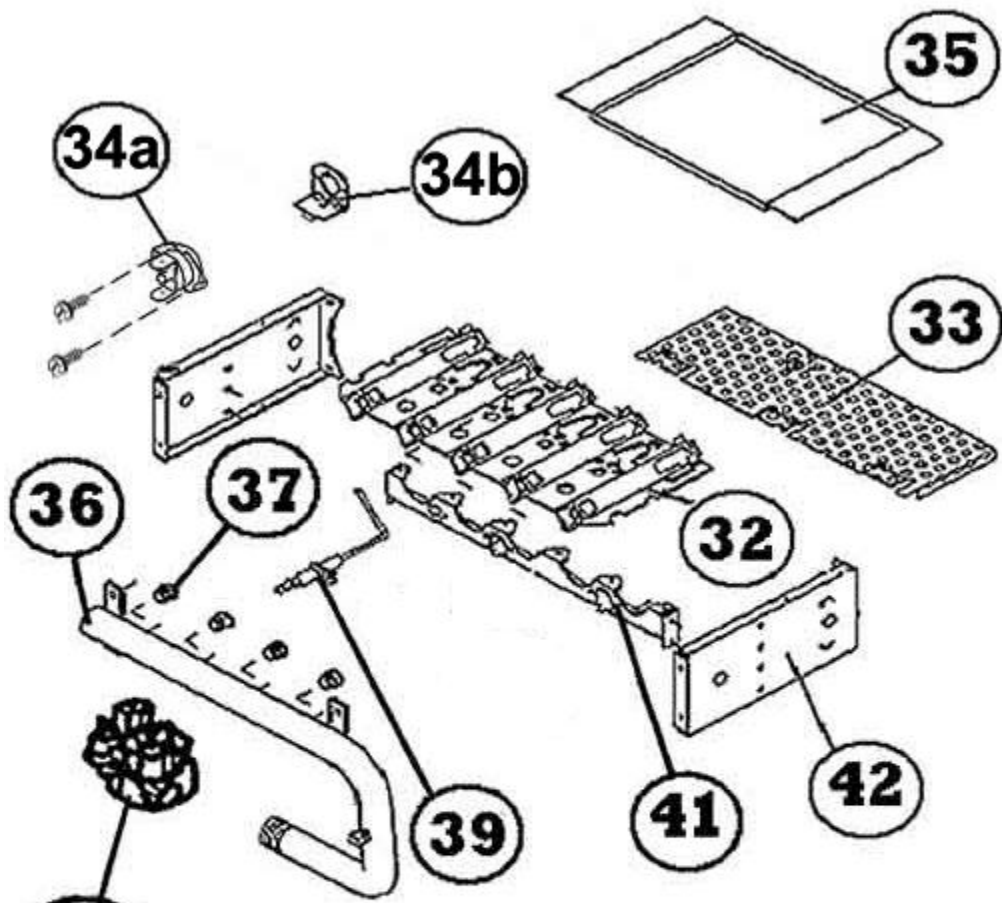
Elevation (ft.)	Orifice							
0 to 2000 ft.	62-22175-91							
2001 to 3000	62-22175-91							
3001 to 4000	62-22175-90							
4001 to 5000	62-22175-58							
5001 to 6000	62-22175-59							
6001 to 7000	62-22175-60							
7001 to 8000	62-22175-62							
8001 to 9000	62-22175-63							
9001 to 1000	62-22175-64							



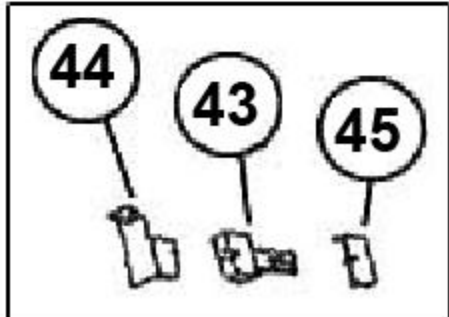
Exploded View



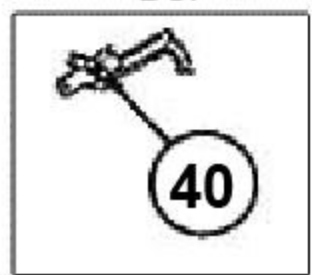
Blower Assembly



HSI



DSI



Burner Assembly

NOTES

Stk It is recommended that stock be maintained for this part.

N/A Not Applicable

- 1 Newer units will have front base angle gaskets. Older units can be retrofitted with this gasket.
- 2 Order Gas Valve for Natural Gas along with LP Conversion Kit.
- 3 Jacket is not available for replacement.
- 4 When replacing the Outlet Air Pipe on units produced before approximate date 04-14-97, it is recommended that the Top Plate Assembly also be replaced. Units produced after this date have a larger outlet pipe hole diameter in the Top Plate for taper that was added to the flange end of the Outlet Air Pipe (68-24021-01).

DISCLAIMER: This document is intended to provide general replacement parts information to aid qualified service personnel in the repair of these models. The complete Model and Serial Number of the unit under repair should be specified when selecting and ordering replacement parts. Specifications and illustrations are subject to change without notice. Document 92-42800-RGRA supersedes all previous parts lists for these models. See <http://www.rheempartslists.net/92-42800-RGRA> for the latest revision of this document. The manufacturer assumes no obligation for errors or omissions. Service personnel must verify the proper and safe operation of equipment after the replacement of any original components.