



RGPT

Parts List
07-December-2013



*This parts list is current as of the above revision date.
See <http://www.rheempartslists.net/92-42800-RGPT.pdf> for the current revision.*

80% Gas Furnaces

Table of Contents

Model Explanation	Page 3
Parts Numbers	
Panels - Miscellaneous	Page 4
Electrical Group	Page 5
Blower Group.....	Page 6
Heat Exchanger-Burner Group.....	Page 7
Gas Controls	Page 8
Orifice Selection Chart.....	Page 9
Drawings/Photographs	
Exploded View	Page 10
Blower Assembly	Page 11
Burner Assembly	Page 12
Notes/Disclaimer	Page 13

MODEL NUMBER EXPLANATION

R	G	P	T	-	0	7	E	A	M	K	R
1	2	3	4			5		6	7	8	9

(1) **TRADEBRAND IDENTIFICATION**

(2) **MODEL**
G = Gas Furnace

(3) **TYPE**
P = Upflow / Horizontal Multi-Positional

(4) **DESIGN SERIES (X-13 Motor)**

(5) **HEATING INPUT DESIGNATION**
05 = 50,000 BTU/HR
07 = 75,000 BTU/HR
10 = 100,000 BTU/HR
12 = 125,000 BTU/HR

E = Electric Ignition
N = Electric Ignition NOx

(6) **VARIATIONS**
A = Standard
B = Wide Cabinet

(7) **BLOWER DESIGNATION**
M = 11 x 7
R = 11 x 10

(8) **AIRFLOW**
K = 600 - 1200 (3R)
Q = 1000 - 1600 (4R)
M = 1200 - 2000 (5R)

(9) **FUEL DESIGNATION**
R = Natural Gas - CSA - United States / Canada

SERIAL NUMBER EXPLANATION (Units Produced before Nov. 2013)

H	V	5	D	3	0	7	F	3	1	0	9	9	9	9
1	2	3	4	5	6	7	8	9	10					

(1) **GAS CODE**

(2) **LIMIT CONTROL**

(3) **BLOWER**

(4) **HEATING ELEMENT**

(5) **SPECIAL AREA REQUIREMENT**

(6) **MOTOR HORSEPOWER**

(7) **PLANT**
F = Fort Smith, AR

(8) **WEEK**

(9) **YEAR**

(10) **PRODUCTION NUMBER**

SERIAL NUMBER EXPLANATION (Units Produced after Nov. 2013)

F	0	8	1	3	9	9	9	9
(1)	(2)	(3)	(4)					

(1) **PLANT CODE**

(2) **WEEK (DATE CODE)**

(3) **YEAR**

(4) **PRODUCTION NUMBER**

Note: For Gas Code, see Control System Gas Code on Rating Plate

No.	Notes	MODEL HEATING CAPACITY VARIATION BLOWER DESIGNATION AIRFLOW	RGPT-	RGPT-	RGPT-	RGPT-	RGPT-
			05 B M K	07 A M K	07 B R Q	10 B R M	12 A R M
PANELS, SHEET METAL, MISCELLANEOUS							
1		Plug Button (2)	45-22980-01	45-22980-01	45-22980-01	45-22980-01	45-22980-01
		Sight Glass	68-21893-03	68-21893-03	68-21893-03	68-21893-03	68-21893-03
2		Burner Compartment Door (Neutra Green)	AS-101214-01	AS-101214-01	AS-101215-01	AS-101215-01	AS-101216-01
2		Burner Compartment Door (Granite/Steel Gray)	AS-101214-10	AS-101214-10	AS-101215-10	AS-101215-10	AS-101216-10
3		Blower/Filter Door (Neutra Green)	AS-67894-11	AS-67894-11	AS-67895-11	AS-67895-11	AS-67896-11
3		Blower/Filter Door (Granite/Steel Gray)	AS-67894-13	AS-67894-13	AS-67895-13	AS-67895-13	AS-67896-13
		Thumbscrew and Insert Kit	64-24081-81	64-24081-81	64-24081-81	64-24081-81	64-24081-81
4		Door Switch - Push Button	42-22692-08	42-22692-08	42-22692-08	42-22692-08	42-22692-08
5		Junction Box	AE-61475-02	AE-61475-02	AE-61475-02	AE-61475-02	AE-61475-02
6		Junction Box Cover	AE-61476-02	AE-61476-02	AE-61476-02	AE-61476-02	AE-61476-02
7		Induced Draft Blower	See Electrical Group				
8		Blower Assembly	See Blower Group				
9	2	Jacket (See Note 2)	N/A	N/A	N/A	N/A	N/A
10		Heat Exchanger Bracket	See Heat Exchanger Group				
11		Heat Exchanger	See Heat Exchanger Group				
12		Top Plate (Platinum)	AE-101095-02	AE-101095-02	AE-101095-03	AE-101095-03	AE-101095-04
12		Top Plate (Granite/Steel Gray)	AE-101095-06	AE-101095-06	AE-101095-07	AE-101095-07	AE-101095-08
13		Limit - Main Limit (Heat Exchanger Panel)	See Electrical Group				
14		Silicone Rubber Tubing (Pressure Switch)	AE-61737-27	AE-61737-27	AE-61737-03	AE-61737-03	AE-61737-23
15		Pressure Switch	See Electrical Group				
24		Control Mounting Plate	AE-67877-01	AE-67877-01	AE-67877-01	AE-67877-01	AE-67877-01
26		Burner Cover Plate	See Heat Exchanger Group				
		Rear Baffle	AE-61607-01	AE-61607-01	AE-61667-01	AE-61667-01	AE-61670-01
		Side Baffle - Left	AE-101900-02	AE-61606-01	AE-101899-02	AE-61668-01	AE-61665-01
		Side Baffle - Right	AE-101900-01	AE-61606-01	AE-101899-01	AE-61668-01	AE-61665-01
		Touch-up Paint - Platinum (Aerosol)	523012	523012	523012	523012	523012
		Touch-up Paint - Platinum (Paint Pens)	523013	523013	523013	523013	523013
		Touch-up Paint - Green (Aerosol)	52-18662-48	52-18662-48	52-18662-48	52-18662-48	52-18662-48
		Touch-up Paint - Green (Paint Pens)	523010	523010	523010	523010	523010
		Touch-up Paint - Granite/Steel Gray (Aerosol)	PD523018	PD523018	PD523018	PD523018	PD523018
		Touch-up Paint - Granite/Steel Gray (Paint Pens)	PD523019	PD523019	PD523019	PD523019	PD523019

No.	Notes	MODEL HEATING CAPACITY VARIATION BLOWER DESIGNATION AIRFLOW	RGPT- 05 B M K	RGPT- 07 A M K	RGPT- 07 B R Q	RGPT- 10 B R M	RGPT- 12 A R M	
ELECTRIC GROUP								
7	Stk	Induced Draft Blower w/Gasket	70-101087-01	70-101087-01	70-101087-01	70-101087-01	70-101087-01	
13	Stk	Limit - Main Limit (Heat Exchanger Panel)	47-25349-11	47-25349-01	47-25349-01	47-25349-03	47-25349-03	
15	Stk	Pressure Switch	42-101082-01	42-101082-01	42-101082-01	42-101082-01	42-101082-01	
17	Stk	Limit - Manual Reset (Burner Compartment)	47-22861-03 (1)	47-22861-03 (2)	47-22861-03 (2)	47-22861-03 (2)	47-22861-03 (2)	
23	Stk	Limit - Heat Assisted (Blower Housing)	47-22860-06	47-22860-01	47-22860-06	47-22860-06	47-22860-03	
25		Integrated Furnace Control Board (IFC)	See Gas Controls					
28	Stk	Transformer	46-24124-03	46-24124-03	46-24124-03	46-24124-03	46-24124-03	
		Power Factor Choke	46-24256-02	N/A	46-24256-02	46-24256-02	46-24256-02	
	3	Power Factor Choke - Before F1712 (See Note 3)	N/A	46-24256-02	N/A	N/A	N/A	
	3	Jumper Wire Assembly - After F1712 (See Note 3)	N/A	45-104318-01	N/A	N/A	N/A	
		Wiring Harness - 4 pin to 2 insulated terminals, 2 wires	45-24371-19	45-24371-19	45-24371-19	45-24371-19	45-24371-19	
		Wiring Harness - 4 pin to 2 pin, 2 wires	45-24371-09	45-24371-09	45-24371-09	45-24371-09	45-24371-09	
		Wiring Harness - 4 pin to 2 ring terminals, 1 wire, 1 terminal	45-24371-12	45-24371-12	45-24371-12	45-24371-12	45-24371-12	
		Wiring Harness - 9 pin to (9 pin and 4 pin)	45-103559-01	45-103559-01	45-103559-01	45-103559-01	45-103559-01	
		Wiring Harness - 4 pin from motor to (2 pin and 3 terminals) IFC and blower choke	45-103552-01	45-103552-01	45-103552-01	45-103552-01	45-103552-01	
		Wiring Harness - 5 pin to 5 terminals (IFC to Motor Control)	45-103551-01	45-103551-01	45-103551-01	45-103551-01	45-103551-01	
		Wiring Harness - 9 pin to 8 terminals (5 insulated/1 straight/2 flag), 8 wires	45-24371-13	45-24371-13	45-24371-13	45-24371-13	45-24371-13	

No.	Notes	MODEL HEATING CAPACITY VARIATION BLOWER DESIGNATION AIRFLOW	RGPT- 05 B M K	RGPT- 07 A M K	RGPT- 07 B R Q	RGPT- 10 B R M	RGPT- 12 A R M	
BLOWER GROUP								
8	Stk	Blower Assembly (Includes items 18-23)	AS-67876-55	AS-67876-56	AS-67876-57	AS-67876-58	AS-67876-59	
18	Stk	Blower Wheel	70-24254-02	70-24254-02	70-23111-20	70-23111-20	70-23111-20	
19		Housing	AS-61674-21	AS-61674-21	AS-61674-22	AS-61674-22	AS-61674-22	
20	Stk	Blower Motor	51-102173-06	51-102172-03	51-102280-02	51-102280-03	51-102280-04	
21		Motor Mount Kit: includes grommets, screws, nuts, motor mount, and motor mount brackets	70-24104-82	70-24104-82	70-24104-82	70-24104-82	70-24104-82	
		Motor Mount	70-24104-02	70-24104-02	70-24104-02	70-24104-02	70-24104-02	
		Motor Mount Bracket (4)	AE-61956-01	AE-61956-01	AE-61956-01	AE-61956-01	AE-61956-01	
23		Limit - Heat Assisted (Blower Housing)	See Electric Group					

No.	Notes	MODEL HEATING CAPACITY VARIATION BLOWER DESIGNATION AIRFLOW	RGPT- 05 B M K	RGPT- 07 A M K	RGPT- 07 B R Q	RGPT- 10 B R M	RGPT- 12 A R M	
HEAT EXCHANGER, BURNER / MANIFOLD GROUP								
10		Heat Exchanger Bracket (Left Side)	AE-67846-02	AE-67846-02	AE-67846-02	AE-67846-02	AE-67846-02	
		Heat Exchanger Bracket (Right Side)	AE-67846-02	AE-67846-02	AE-67846-02	AE-67846-02	AE-67846-02	
11	Stk	Heat Exchanger Assembly	AS-61579-13	AS-100560-01	AS-61579-12	AS-61579-04	AS-61579-05	
26		Burner Cover Plate	AE-101080-06	AE-101080-02	AE-101080-02	AE-101080-03	AE-101080-04	
29		NOX Insert Assembly	AS-67875-01 (1)	AS-67875-01 (2)	AS-67875-01 (2)	AS-67875-01 (3)	AS-67875-01 (4)	
30		Burner Support Bracket (2)	AE-61588-02	AE-61588-02	AE-61588-02	AE-61588-02	AE-61588-02	
31	Stk	Manifold (w/o Orifices)	81-102427-01	81-102427-02	81-102427-02	81-102427-03	81-102427-04	
32	Stk	Burner Assembly	AS-60993-02	AS-60993-03	AS-60993-03	AS-60993-04	AS-60993-05	
34		NOX Insert Retainer	AE-67872-01	AE-67872-01	AE-67872-01	AE-67872-01	AE-67872-01	
38		Burner Support	AE-60997-01	AE-60997-02	AE-60997-02	AE-60997-03	AE-60997-04	
		Burner Orifice - Natural Gas	See Orifice Selection Chart					
		Burner Orifice - LP	See Orifice Selection Chart					
		Number of Orifices	(2)	(3)	(3)	(4)	(5)	

No.	Notes	MODEL GAS CODE	RGPT HV	RGPT HT
GAS CONTROLS				
25	Stk	Integrated Furnace Control Board (IFC)	62-103498-01	62-103498-01
33	Stk	Gas Valve - Natural Gas	60-100394-03	60-24180-01
33	Stk,1	Gas Valve - LP	See Note 1	See Note 1
35	Stk	Ignitor	62-24164-01	62-24164-01
36		Ignitor Bracket	AE-61885-02	AE-61885-02
37	Stk	Flame Sensor	62-23543-01	62-23543-01
	Stk	LP Conversion Kit	FP-15	FP-15

80% GAS FURNACE - ORIFICE SELECTION CHART - NATURAL GAS

CAUTION: Selection of the correct Natural Gas Orifice requires the following information for the specific installation:

- 1) Altitude in of the installation (ft.).
- 2) Average energy content of the Natural Gas fuel from the local supplier (BTU/cu. ft.).

For detailed information and instructions for Orifice selection, see the Gas Furnace LP Conversion Kit Index 92-21519-59 and the latest edition of the National Fuel Gas Code Handbook, or the National Standard of Canada, Natural Gas and Propane Installation Code, CAN B149.1.

CAUTION: This information is provided for replacement purposes only. Conversion for operation at High Altitude must be done using the kit specified on the product specification sheet for the unit.

NOTE: This Orifice sizing chart is based on 25,000 BTU/HR per burner.

NOTE: Factory installed orifices are calculated and sized based on a Natural Gas heating value of 1075 BTU/cu. ft. and an elevation of 0 - 3000 ft.

Energy Value (BTU/cu. ft.)	Elevation (ft.)							
	0 - 1999	2000 - 2999	3000 - 3999	4000 - 4999	5000 - 5999	6000 - 6999	7000 - 7999	8000 - 8999
850	62-22175-38	62-22175-39	62-22175-40	62-22175-41	62-22175-41	62-22175-42	62-22175-42	62-22175-43
900	62-22175-40	62-22175-41	62-22175-42	62-22175-42	62-22175-42	62-22175-43	62-22175-43	62-22175-44
975	62-22175-41	62-22175-42	62-22175-42	62-22175-42	62-22175-43	62-22175-43	62-22175-44	62-22175-44
1075	62-22175-42	62-22175-42	62-22175-43	62-22175-43	62-22175-43	62-22175-44	62-22175-44	62-22175-45
1170	62-22175-43	62-22175-44	62-22175-44	62-22175-44	62-22175-45	62-22175-45	62-22175-46	62-22175-47

80% GAS FURNACE - ORIFICE SELECTION CHART - LP

CAUTION: Selection of the correct LP Orifice requires the altitude of the specific installation (ft.).

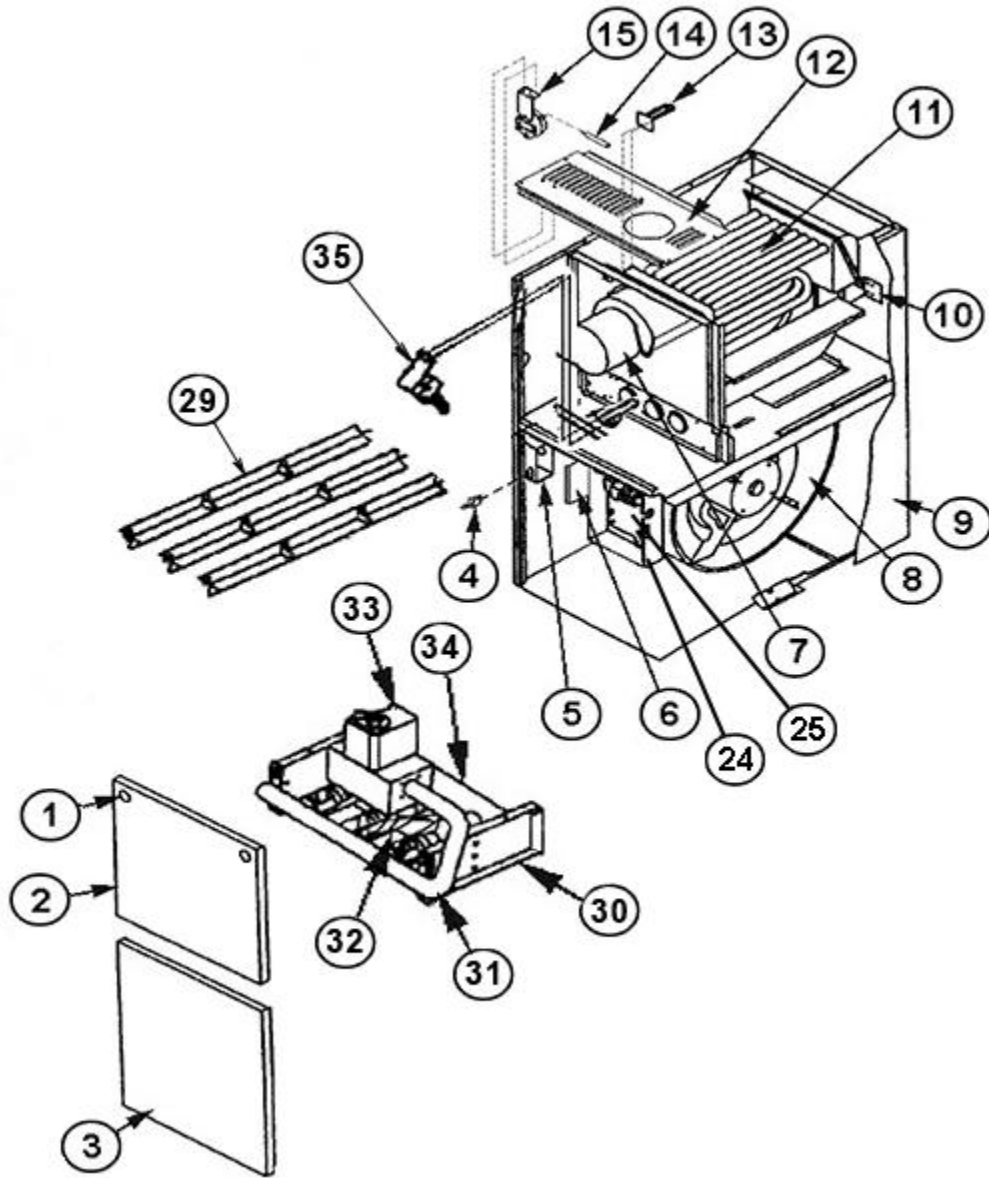
For detailed information and instructions for Orifice selection, see the Gas Furnace LP Conversion Kit Index 92-21519-59 and the latest edition of the National Fuel Gas Code Handbook (NFG), or the National Standard of Canada, Natural Gas and Propane Installation Code, CAN B149.1.

CAUTION: This information is provided for replacement purposes only. Conversion to LP or for operation at High Altitude should be done using the kit(s) specified on the product specification sheet for the unit.

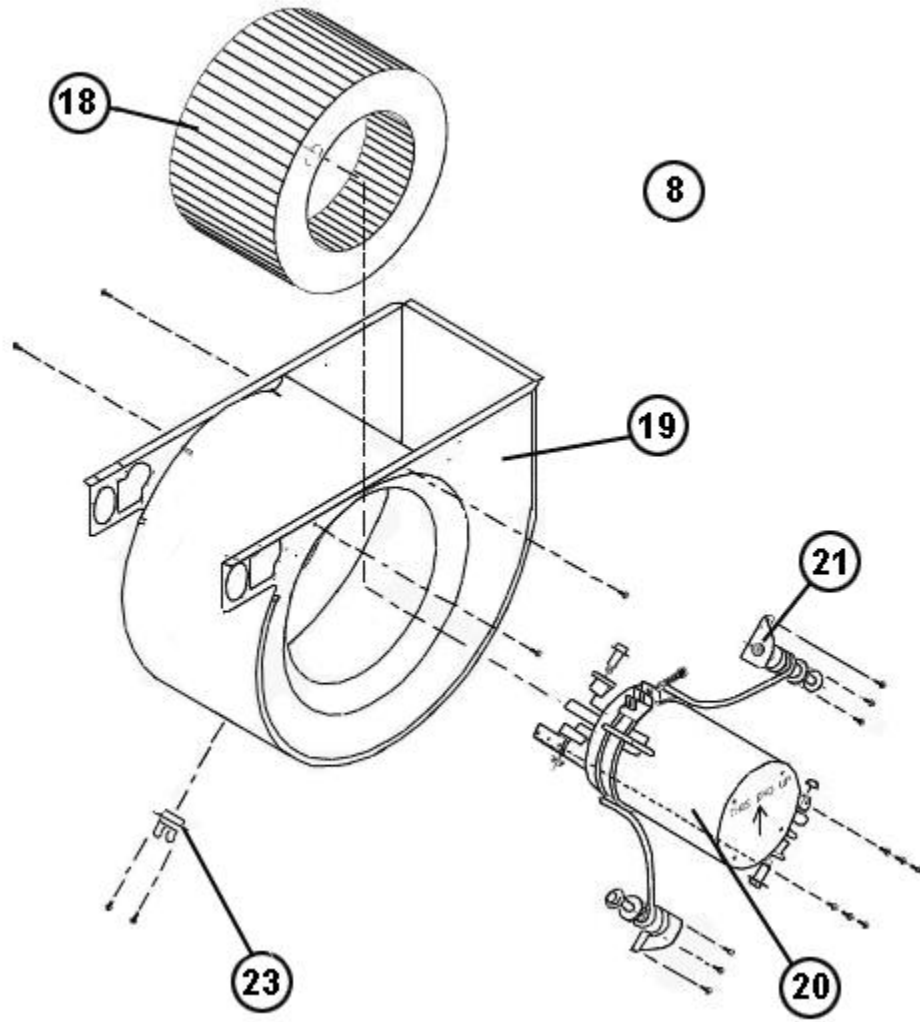
NOTE: This Orifice sizing chart is based on 25,000 BTU/HR per burner. Also, the chart is developed using the specified pressure setting of 10 in. water column instead of the 11.0 in water column used by the NFG and CANB149.1.

NOTE: Orifices supplied in the LP Conversion Kit are calculated and sized based on an altitude of 0 - 4000 ft.

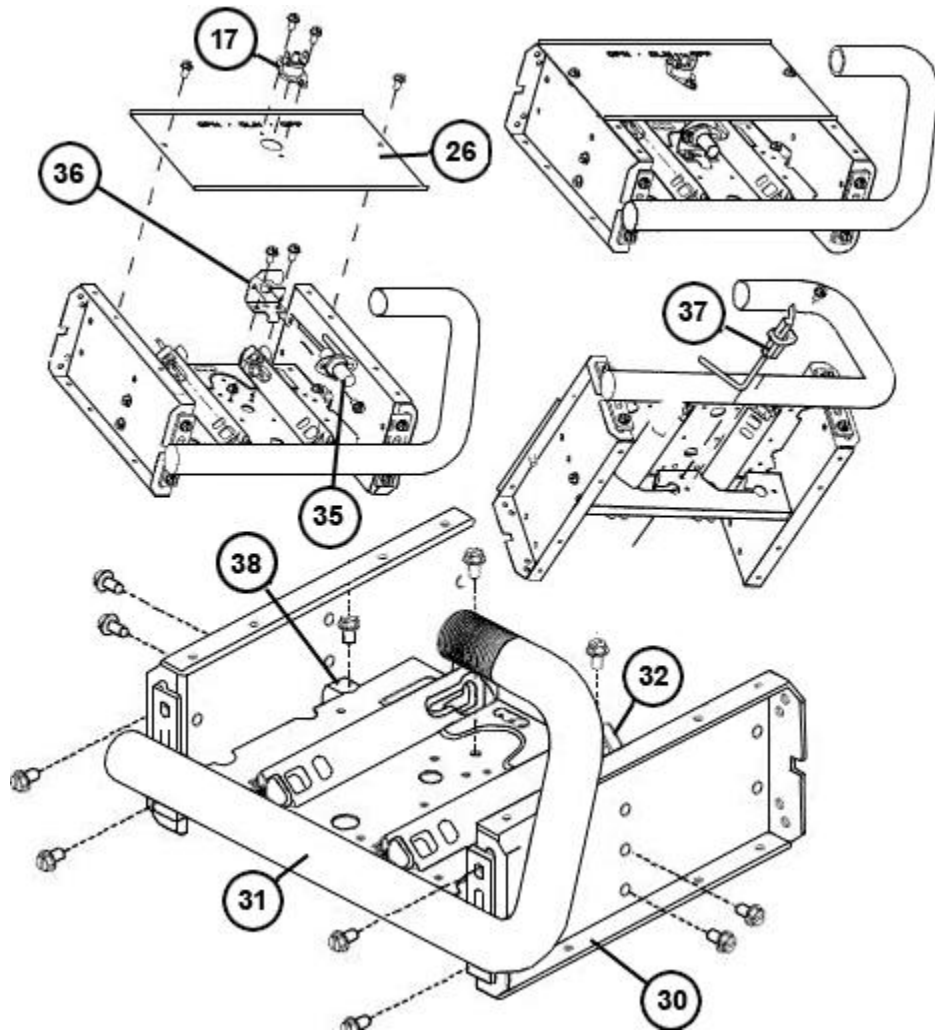
Elevation (ft.)	Orifice							
0 - 2000	62-22175-54							
2001 - 3000	62-22175-54							
3001 - 4000	62-22175-54							
4001 - 5000	62-22175-54							
5001 - 6000	62-22175-54							
6001 - 7000	62-22175-54							
7001 - 8000	62-22175-55							
8001 - 9000	62-22175-55							
9001 - 10000	62-22175-55							



Exploded View



Blower Assembly



Burner Assembly

NOTES

Stk It is recommended that stock be maintained for this part.

N/A Not Applicable

- 1 Order Gas Valve for Natural Gas along with LP Conversion Kit.
- 2 Jacket is not available for replacement.
- 3 Replacement of Power Factor Choke is optional on units with 1/2 hp, X-13 and ECM, motors produced before F1712. After approximate date code F1712, production units will be supplied with a Jumper Wire Assembly (45-104318-01) in lieu of a Power Factor Choke. This Jumper Wire Assembly can be retrofitted to units built before Date Code F1712.

DISCLAIMER: This document is intended to provide general replacement parts information to aid qualified service personnel in the repair of these models. The complete Model and Serial Number of the unit under repair should be specified when selecting and ordering replacement parts. Specifications and illustrations are subject to change without notice. Document 92-42800-RGPT supersedes all previous parts lists for these models. See <http://www.rheempartslists.net/92-42800-RGPT> for the latest revision of this document. The manufacturer assumes no obligation for errors or omissions. Service personnel must verify the proper and safe operation of equipment after the replacement of any original components.