



# RGPN

Parts List  
16-August-2014



*This parts list is current as of the above revision date.  
See <http://www.rheempartslists.net/92-42800-RGPN.pdf> for the current revision.*

**80% Gas Furnaces**

# Table of Contents

Model Explanation .....	Page 3
<b>Parts Numbers</b>	
Panels - Miscellaneous 05-10 .....	Page 4
Panels - Miscellaneous 10-15 .....	Page 5
Electrical Group .....	Page 6
Blower Group .....	Page 6
Heat Exchanger-Burner Group .....	Page 7
Gas Controls .....	Page 8
Orifice Selection Chart .....	Page 9
<b>Drawings/Photographs</b>	
Exploded View .....	Page 10
Blower Assembly .....	Page 11
Burner Assembly .....	Page 12
Notes/Disclaimer .....	Page 13

**MODEL NUMBER EXPLANATION**

<b>R</b>	<b>G</b>	<b>P</b>	<b>N</b>	<b>-</b>	<b>0</b>	<b>7</b>	<b>E</b>	<b>A</b>	<b>M</b>	<b>G</b>	<b>R</b>
1	2	3	4			5		6	7	8	9

(1) **TRADEBRAND IDENTIFICATION**

(2) **MODEL**  
G = Gas Furnace

(3) **TYPE**  
P = Upflow / Horizontal

(4) **DESIGN SERIES**

(5) **HEATING INPUT DESIGNATION**  
05 = 50,000 BTU/HR  
07 = 75,000 BTU/HR  
10 = 100,000 BTU/HR  
12 = 125,000 BTU/HR  
15 = 150,000 BTU/HR

E = Electric Ignition  
N = Electric Ignition w/NOX

(6) **VARIATIONS**  
A = Standard  
B = Wide Cabinet

(7) **BLOWER DESIGNATION**  
U = 11 x 6  
M = 11 x 7  
R = 11 x 10

(8) **AIRFLOW**  
E = 1100 - 1300 (3R)  
G = 1500 - 1700 (4R)  
J = 1900 - 2100 (5R)

(9) **FUEL DESIGNATION**  
R = Natural Gas

**SERIAL NUMBER EXPLANATION (Units Produced before Nov. 2013)**

<b>F</b>	<b>D</b>	<b>5</b>	<b>D</b>	<b>3</b>	<b>0</b>	<b>7</b>	<b>F</b>	<b>3</b>	<b>1</b>	<b>0</b>	<b>4</b>	<b>9</b>	<b>9</b>	<b>9</b>	<b>9</b>
1		2	3	4	5	6	7	8		9				10	

(1) **GAS CODE**

(2) **LIMIT CONTROL**

(3) **BLOWER**

(4) **HEATING ELEMENT**

(5) **SPECIAL AREA REQUIREMENT**

(6) **MOTOR HORSEPOWER**

(7) **PLANT**  
F = Fort Smith, AR

(8) **WEEK**

(9) **YEAR**

(10) **PRODUCTION NUMBER**

**SERIAL NUMBER EXPLANATION (Units Produced after Nov. 2013)**

<b>F</b>	<b>0</b>	<b>8</b>	<b>1</b>	<b>3</b>	<b>9</b>	<b>9</b>	<b>9</b>	<b>9</b>
(1)	(2)	(3)	(4)					

(1) **PLANT CODE**

(2) **WEEK (DATE CODE)**

(3) **YEAR**

(4) **PRODUCTION NUMBER**

**Note: For Gas Code, see Control System Gas Code on Rating Plate**

No.	Notes	MODEL HEATING CAPACITY VARIATION BLOWER DESIGNATION AIRFLOW	RGPN	RGPN	RGPN	RGPN
			05E A U E	07E A M E	07E A M G	10E A M E
<b>PANELS, SHEET METAL, MISCELLANEOUS</b>						
1		Plug Button - 1-3/16 in. opening (2)	45-22980-01	45-22980-01	45-22980-01	45-22980-01
2		Burner Compartment Door (Neutra Green)	AS-101213-01	AS-101214-01	AS-101214-01	AS-101214-01
2		Burner Compartment Door (Granite/Steel Gray)	AS-101213-10	AS-101214-10	AS-101214-10	AS-101214-10
3		Blower/Filter Door (Neutra Green)	AS-67893-01	AS-67894-01	AS-67894-01	AS-67894-01
3		Blower/Filter Door (Granite/Steel Gray)	AS-67893-13	AS-67894-13	AS-67894-13	AS-67894-13
4		Door Switch (Push Button)	See Electrical Group			
5		Junction Box	AE-61475-02	AE-61475-02	AE-61475-02	AE-61475-02
6		Junction Box Cover	AE-61476-02	AE-61476-02	AE-61476-02	AE-61476-02
7		Filter - Plastic	54-24094-01	54-24094-01	54-24094-01	54-24094-01
		Filter Retainer Rod	45-24095-01	45-24095-01	45-24095-01	45-24095-01
		Filter Rod Support Angle	AE-60520-01	AE-60520-01	AE-60520-01	AE-60520-01
		Filter Support Angle	AE-61883-01	AE-61883-01	AE-61883-01	AE-61883-01
8		Filter Retainer Bracket	AE-61880-01	AE-61880-01	AE-61880-01	AE-61880-01
9		Blower Assembly	See Blower Group			
10	3	Jacket (See Note 3)	N/A	N/A	N/A	N/A
11		Baffle - Side (2)	AE-61606-01	AE-61606-01	AE-61606-01	AE-100548-01
12		Heat Exchanger Brackets (2)	See Heat Exchanger Group			
13		Baffle - Rear	AE-61666-01	AE-61607-01	AE-61607-01	AE-61607-01
14		Heat Exchanger Assembly	See Heat Exchanger Group			
15		Limit - Main Limit (Heat Exchanger Panel)	See Electrical Group			
16		Top Plate	AE-101095-01	AE-101095-02	AE-101095-02	AE-101095-02
17		Intake Air Deflector	AE-101077-02	AE-101077-01	AE-101077-01	AE-101077-01
18	1	Pressure Switch	See Electrical Group			
		Tubing (For Pressure Switch)	79-21491-83	79-21491-83	79-21491-83	79-21491-83
19		Induced Draft Blower w/Gasket	See Electrical Group			
25		Limit - Heat Assisted (Blower Housing)	See Electrical Group			
26		Mounting Control Plate	See Blower Group			
27		Integrated Furnace Control Board (IFC)	See Gas Controls			
28		Transformer	See Electrical Group			
29		Gas Valve	See Gas Controls			
37		Limit - Manual Reset (Burner Compartment)	See Electrical Group			
39		Ignitor	See Gas Controls			
		Touch-up Paint - Platinum (Aerosol)	523012	523012	523012	523012
		Touch-up Paint - Platinum (Paint Pens)	523013	523013	523013	523013
		Touch-up Paint - Green (Aerosol)	52-18662-48	52-18662-48	52-18662-48	52-18662-48
		Touch-up Paint - Green (Paint Pens)	523010	523010	523010	523010
		Touch-up Paint - Granite/Steel Gray (Aerosol)	PD523018	PD523018	PD523018	PD523018
		Touch-up Paint - Granite/Steel Gray (Paint Pens)	PD523019	PD523019	PD523019	PD523019

No.	Notes	MODEL HEATING CAPACITY VARIATION BLOWER DESIGNATION AIRFLOW	RGPN	RGPN	RGPN
			10E B J R	12E A R J	15E A R J
<b>PANELS, SHEET METAL, MISCELLANEOUS</b>					
1		Plug Button - 1-3/16 in. opening (2)	45-22980-01	45-22980-01	45-22980-01
2		Burner Compartment Door (Neutra Green)	AS-101215-01	AS-101216-01	AS-101216-01
2		Burner Compartment Door (Granite/Steel Gray)	AS-101215-10	AS-101216-10	AS-101216-10
3		Blower/Filter Door (Neutra Green)	AS-67895-01	AS-67896-01	AS-67896-01
3		Blower/Filter Door (Granite/Steel Gray)	AS-67895-13	AS-67896-13	AS-67896-13
4		Door Switch (Push Button)	42-22692-01	42-22692-01	42-22692-01
5		Junction Box	AE-61475-02	AE-61475-02	AE-61475-02
6		Junction Box Cover	AE-61476-02	AE-61476-02	AE-61476-02
7		Filter - Plastic	54-24094-02	54-24094-03	54-24094-03
		Filter Retainer Rod	45-24095-01	45-24095-01	45-24095-01
		Filter Rod Support Angle	AE-60520-01	AE-60520-01	AE-60520-01
		Filter Support Angle	AE-61883-01	AE-61883-01	AE-61883-01
8		Filter Retainer Bracket	AE-61880-01	AE-61880-01	AE-61880-01
9		Blower Assembly	See Blower Group		
10	3	Jacket (See Note 3)	N/A	N/A	N/A
11		Baffle - Side (2)	AE-61668-01	AE-61665-01	N/A
12		Heat Exchanger Brackets (2)	See Heat Exchanger Group		
13		Baffle - Rear	AE-61667-01	AE-61670-01	AE-61669-01
14		Heat Exchanger Assembly	See Heat Exchanger Group		
15		Limit - Main Limit (Heat Exchanger Panel)	See Electrical Group		
16		Top Plate	AE-101095-03	AE-101095-04	AE-101095-04
17		Intake Air Deflector	AE-101077-01	AE-101077-01	AE-101077-01
18	1	Pressure Switch	See Electrical Group		
		Tubing (For Pressure Switch)	79-21491-83	79-21491-83	79-21491-83
19	1	Induced Draft Blower w/Gasket	See Electrical Group		
25		Limit - Heat Assisted (Blower Housing)	See Electrical Group		
26		Mounting Control Plate	See Blower Group		
27		Integrated Furnace Control Board (IFC)	See Gas Controls		
28		Transformer	See Electrical Group		
29		Gas Valve	See Gas Controls		
37		Limit - Manual Reset (Burner Compartment)	See Electrical Group		
39		Ignitor	See Gas Controls		
		Touch-up Paint - Platinum (Aerosol)	523012	523012	523012
		Touch-up Paint - Platinum (Paint Pens)	523013	523013	523013
		Touch-up Paint - Green (Aerosol)	52-18662-48	52-18662-48	52-18662-48
		Touch-up Paint - Green (Paint Pens)	523010	523010	523010
		Touch-up Paint - Granite/Steel Gray (Aerosol)	PD523018	PD523018	PD523018
		Touch-up Paint - Granite/Steel Gray (Paint Pens)	PD523019	PD523019	PD523019

No.	Notes	MODEL HEATING CAPACITY VARIATION BLOWER DESIGNATION AIRFLOW	RGPN 05E A U E	RGPN 07E A M E	RGPN 07E A M G	RGPN 10E A M E
<b>ELECTRICAL GROUP</b>						
4		Door Switch - Push Button	42-22692-01	42-22692-01	42-22692-01	42-22692-01
15	Stk	Limit - Main Limit (Heat Exchanger Panel)	47-25349-11	47-25349-01	47-25349-03	47-25349-01
18	Stk,1	Pressure Switch	42-101082-01	42-101082-01	42-101082-01	42-101082-01
19	Stk	Induced Draft Blower w/Gasket	70-101087-01	70-101087-01	70-101087-01	70-101087-01
25	Stk	Limit - Heat Assisted (Blower Housing)	47-22860-01	47-22860-01	47-22860-01	47-22860-03
27		Integrated Furnace Control Board (IFC)	See Gas Controls			
28	Stk	Transformer	46-24124-03	46-24124-03	46-24124-03	46-24124-03
37	Stk	Limit - Manual Reset (Burner Compartment)	47-22861-03 (1)	47-22861-03 (2)	47-22861-03 (2)	47-22861-03 (2)
		Wire Harness - 2 pin from board to 4 pin	45-24371-09	45-24371-09	45-24371-09	45-24371-09
		Wire Harness - 4 pin to 2 terminals	45-24371-19	45-24371-19	45-24371-19	45-24371-19
		Wire Harness - 9 pin from board to 9 pin	45-24371-04	45-24371-04	45-24371-04	45-24371-04
		Wire Harness - 9 pin to 9 terminals	45-24371-13	45-24371-13	45-24371-13	45-24371-13

No.	Notes	MODEL HEATING CAPACITY VARIATION BLOWER DESIGNATION AIRFLOW	RGPN 10E B J R	RGPN 12E A R J	RGPN 15E A R J	
<b>ELECTRICAL GROUP</b>						
4		Door Switch - Push Button	42-22692-01	42-22692-01	42-22692-01	
15	Stk	Limit - Main Limit (Heat Exchanger Panel)	47-25349-03	47-25349-03	47-25349-03	
18	Stk,1	Pressure Switch	42-101082-01	42-101082-01	42-101082-01	
19	Stk	Induced Draft Blower w/Gasket	70-101087-01	70-101087-01	70-101087-01	
25	Stk	Limit - Heat Assisted (Blower Housing)	47-22860-01	47-22860-03	47-22860-04	
27		Integrated Furnace Control Board (IFC)	See Gas Controls			
28	Stk	Transformer	46-24124-03	46-24124-03	46-24124-03	
37	Stk	Limit - Manual Reset (Burner Compartment)	47-22861-03 (2)	47-22861-03 (2)	47-22861-03 (2)	
		Wire Harness - 2 pin from board to 4 pin	45-24371-09	45-24371-09	45-24371-09	
		Wire Harness - 4 pin to 2 terminals	45-24371-19	45-24371-19	45-24371-19	
		Wire Harness - 9 pin from board to 9 pin	45-24371-04	45-24371-04	45-24371-04	
		Wire Harness - 9 pin to 9 terminals	45-24371-13	45-24371-13	45-24371-13	

No.	Notes	MODEL HEATING CAPACITY VARIATION BLOWER DESIGNATION AIRFLOW	RGPN 05E A U E	RGPN 07E A M E	RGPN 07E A M G	RGPN 10E A M E
<b>BLOWER GROUP</b>						
9	Stk	Blower Assembly (Includes items 20-24)	AS-61697-47	AS-61697-50	AS-61697-55	AS-61697-50
20	Stk	Wheel	70-22683-01	70-22688-01	70-23111-05	70-22688-01
21		Housing	AS-61674-20	AS-61674-21	AS-61674-21	AS-61674-21
22	Stk	Blower Motor	51-22873-01	51-24070-02	51-25023-01	51-24070-02
23		Motor Mount Leg (4)	AE-61698-02	AE-61698-02	AE-61698-02	AE-61698-02
24	Stk	Capacitor - Blower Motor	43-100509-42	43-100509-42	43-21298-43	43-100509-42
25		Limit - Heat Assisted (Blower Housing)	See Electrical Group			
26		Mounting Control Plate	AE-67877-01	AE-67877-01	AE-67877-01	AE-67877-01
27		Integrated Furnace Control Board (IFC)	See Gas Controls			

No.	Notes	MODEL HEATING CAPACITY VARIATION BLOWER DESIGNATION AIRFLOW	RGPN 10E B J R	RGPN 12E A R J	RGPN 15E A R J	
<b>BLOWER GROUP</b>						
9	Stk	Blower Assembly (Includes items 20-24)	AS-61697-52	AS-61697-52	AS-61697-52	
20	Stk	Wheel	70-20602-01	70-20602-01	70-20602-01	
21		Housing	AS-61674-22	AS-61674-22	AS-61674-22	
22	Stk	Blower Motor	51-25023-01	51-25023-01	51-25023-01	
23		Motor Mount Leg (4)	AE-61698-02	AE-61698-02	AE-61698-02	
24	Stk	Capacitor - Blower Motor	43-21298-43	43-21298-43	43-21298-43	
25		Limit - Heat Assisted (Blower Housing)	See Electrical Group			
26		Mounting Control Plate	AE-67877-01	AE-67877-01	AE-67877-01	
27		Integrated Furnace Control Board (IFC)	See Gas Controls			

No.	Notes	MODEL HEATING CAPACITY VARIATION BLOWER DESIGNATION AIRFLOW	RGPN	RGPN	RGPN	RGPN
			05E A U E	07E A M E	07E A M G	10E A M E
<b>HEAT EXCHANGER, BURNER / MANIFOLD</b>						
12		Heat Exchanger Brackets (2)	AE-67846-02	AE-67846-02	AE-67846-02	AE-67846-02
14	Stk	Heat Exchanger Assembly	AS-61579-09	AS-100560-01	AS-100560-01	AS-61579-07
30	Stk	Burner Assembly	AS-60993-02	AS-60993-03	AS-60993-03	AS-60993-04
		Burner Support	AE-60997-01	AE-60997-02	AE-60997-02	AE-60997-03
31	Stk	Manifold (w/o Orifices)	81-101149-01	81-101149-02	81-101149-02	81-101149-03
32		Burner Support Bracket (2)	AE-61588-02	AE-61588-02	AE-61588-02	AE-61588-02
33		Flame Sensor	See Gas Controls			
34		NOX Insert Assembly	AS-67875-01 (2)	AS-67875-01 (3)	AS-67875-01 (3)	AS-67875-01 (3)
		NOX Burner Insert	AE-67873-01	AE-67873-01	AE-67873-01	AE-67873-01
		NOX Insert Hanger	AE-67874-01	AE-67874-01	AE-67874-01	AE-67874-01
35		NOX Insert Retainers	AE-67872-01	AE-67872-02	AE-67872-02	AE-67872-03
36		Burner Cover Plate	AE-101080-01	AE-101080-02	AE-101080-02	AE-101080-03
		Burner Orifice - Natural Gas	See Orifice Selection Chart			
		Burner Orifice - LP	See Orifice Selection Chart			
		Number of Orifices	(2)	(3)	(3)	(4)

No.	Notes	MODEL HEATING CAPACITY VARIATION BLOWER DESIGNATION AIRFLOW	RGPN	RGPN	RGPN	
			10E B J R	12E A R J	15E A R J	
<b>HEAT EXCHANGER, BURNER / MANIFOLD</b>						
12		Heat Exchanger Brackets (2)	AE-67846-02	AE-67846-02	AE-67846-02	
14	Stk	Heat Exchanger Assembly	AS-61579-04	AS-61579-05	AS-61579-06	
30	Stk	Burner Assembly	AS-60993-04	AS-60993-05	AS-60993-06	
		Burner Support	AE-60997-03	AE-60997-04	AE-60997-05	
31	Stk	Manifold (w/o Orifices)	81-101149-03	81-101149-04	81-101149-05	
32		Burner Support Bracket (2)	AE-61588-02	AE-61588-02	AE-61588-02	
33		Flame Sensor	See Gas Controls			
34		NOX Insert Assembly	AS-67875-01 (3)	AS-67875-01 (4)	AS-67875-01 (5)	
		NOX Burner Insert	AE-67873-01	AE-67873-01	AE-67873-01	
		NOX Insert Hanger	AE-67874-01	AE-67874-01	AE-67874-01	
35		NOX Insert Retainers	AE-67872-03	AE-67872-04	AE-67872-05	
36		Burner Cover Plate	AE-101080-03	AE-101080-04	AE-101080-05	
		Burner Orifice - Natural Gas	See Orifice Selection Chart			
		Burner Orifice - LP	See Orifice Selection Chart			
		Number of Orifices	(4)	(5)	(6)	

No.	Notes	MODEL GAS CODE (TYPE)	RGPN FD (DSI)	RGPN FS (DSI)	RGPN FT (DSI)	RGPN FU (DSI)	RGPN FV (DSI)
<b>GAS CONTROLS</b>							
27	Stk	Integrated Furnace Control Board (IFC)	62-24140-02	62-24136-03	62-24140-02	62-24140-04	62-24136-03
29	Stk	Gas Valve - Natural Gas	60-22866-01	60-24180-01	60-24180-01	60-100394-01	60-100394-01
29	Stk,2	Gas Valve - LP	See Note 2	See Note 2	See Note 2	See Note 2	See Note 2
33	Stk	Flame Sensor	62-23543-01	62-23543-01	62-23543-01	62-23543-01	62-23543-01
38		Bracket - Direct Spark	AE-61885-02	AE-61885-02	AE-61885-02	AE-61885-02	AE-61885-02
39	Stk	Ignitor - Direct Spark	62-24164-01	62-24164-01	62-24164-01	62-24164-01	62-24164-01
		<b>LP Conversion Kit:</b>					
	Stk	U.S. Models	FP-15	FP-15	FP-15	FP-15	FP-15
	Stk	Canadian Models	FP-04	FP-04	FP-04	FP-04	FP-04



**80% GAS FURNACE - ORIFICE SELECTION CHART - NATURAL GAS**

**CAUTION:** Selection of the correct Natural Gas Orifice requires the following information for the specific installation:

- 1) Altitude in of the installation (ft.).
- 2) Average energy content of the Natural Gas fuel from the local supplier (BTU/cu. ft.).

For detailed information and instructions for Orifice selection, see the Gas Furnace LP Conversion Kit Index 92-21519-59 and the latest edition of the National Fuel Gas Code Handbook, or the National Standard of Canada, Natural Gas and Propane Installation Code, CAN B149.1.

**CAUTION:** This information is provided for replacement purposes only. Conversion for operation at High Altitude must be done using the kit specified on the product specification sheet for the unit.

NOTE: This Orifice sizing chart is based on 25,000 BTU/HR per burner.

NOTE: Factory installed orifices are calculated and sized based on a Natural Gas heating value of 1075 BTU/cu. ft. and an elevation of 0 - 3000 ft.

Energy Value (BTU/cu. ft.)	Elevation (ft.)							
	0 - 1999	2000 - 2999	3000 - 3999	4000 - 4999	5000 - 5999	6000 - 6999	7000 - 7999	8000 - 8999
<b>850</b>	62-22175-38	62-22175-39	62-22175-40	62-22175-41	62-22175-41	62-22175-42	62-22175-42	62-22175-43
<b>900</b>	62-22175-40	62-22175-41	62-22175-42	62-22175-42	62-22175-42	62-22175-43	62-22175-43	62-22175-44
<b>975</b>	62-22175-41	62-22175-42	62-22175-42	62-22175-42	62-22175-43	62-22175-43	62-22175-44	62-22175-44
<b>1075</b>	62-22175-42	62-22175-42	62-22175-43	62-22175-43	62-22175-43	62-22175-44	62-22175-44	62-22175-45
<b>1170</b>	62-22175-43	62-22175-44	62-22175-44	62-22175-44	62-22175-45	62-22175-45	62-22175-46	62-22175-47

**80% GAS FURNACE - ORIFICE SELECTION CHART - LP**

**CAUTION:** Selection of the correct LP Orifice requires the altitude of the specific installation (ft.).

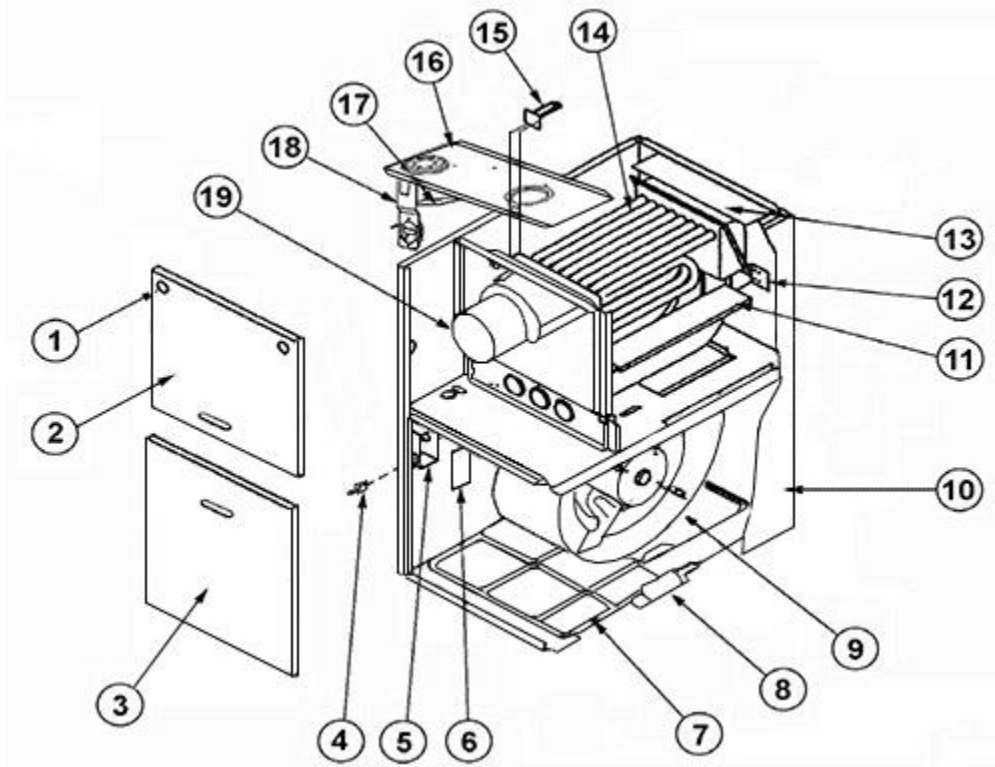
For detailed information and instructions for Orifice selection, see the Gas Furnace LP Conversion Kit Index 92-21519-59 and the latest edition of the National Fuel Gas Code Handbook (NFG), or the National Standard of Canada, Natural Gas and Propane Installation Code, CAN B149.1.

**CAUTION:** This information is provided for replacement purposes only. Conversion to LP or for operation at High Altitude should be done using the kit(s) specified on the product specification sheet for the unit.

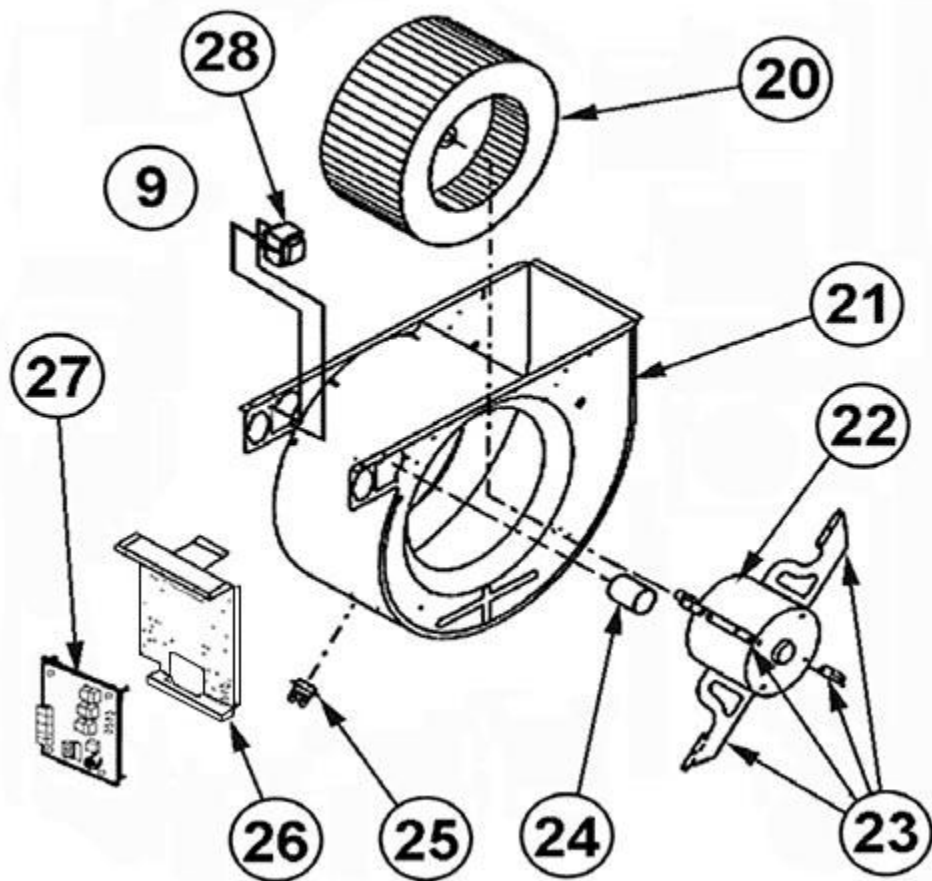
NOTE: This Orifice sizing chart is based on 25,000 BTU/HR per burner. Also, the chart is developed using the specified pressure setting of 10 in. water column instead of the 11.0 in water column used by the NFG and CANB149.1.

NOTE: Orifices supplied in the LP Conversion Kit are calculated and sized based on an altitude of 0 - 4000 ft.

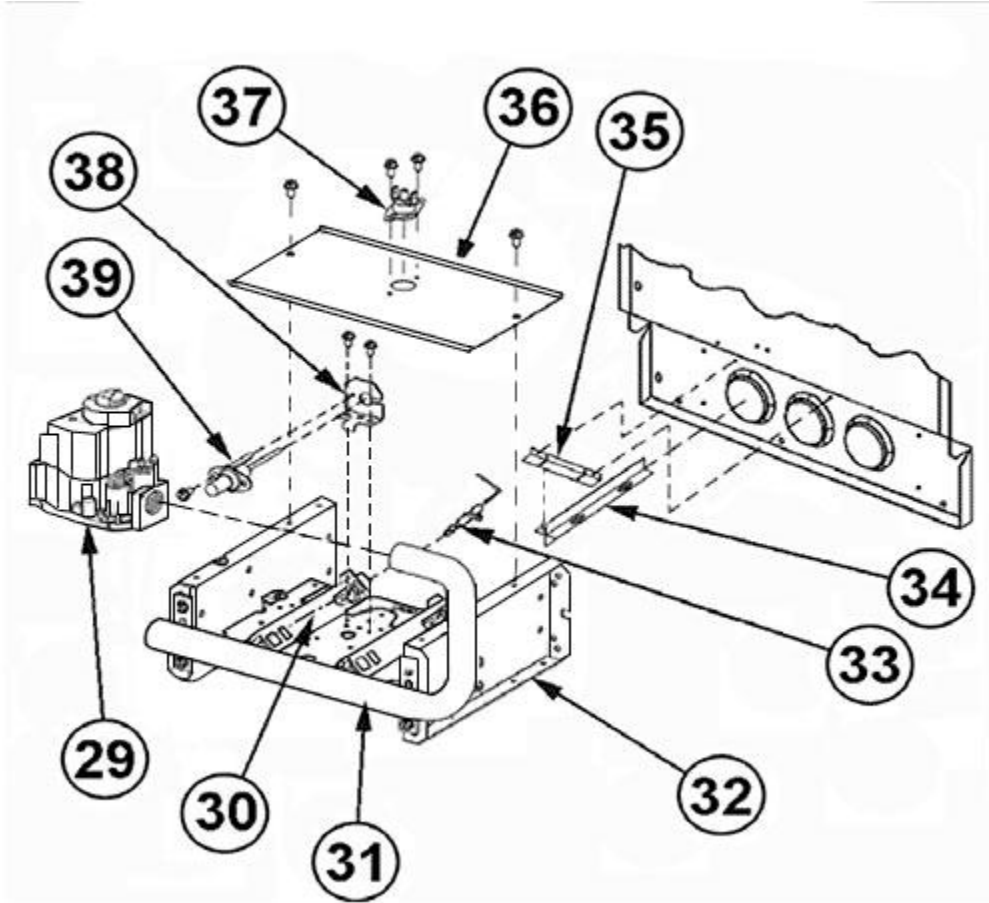
Elevation (ft.)	Orifice							
0 - 2000	62-22175-54							
2001 - 3000	62-22175-54							
3001 - 4000	62-22175-54							
4001 - 5000	62-22175-54							
5001 - 6000	62-22175-54							
6001 - 7000	62-22175-54							
7001 - 8000	62-22175-55							
8001 - 9000	62-22175-55							
9001 - 10000	62-22175-55							



Exploded View



Blower Assembly



Burner Assembly

# NOTES

Stk It is recommended that stock be maintained for this part.

N/A Not Applicable

- 1 The pressure switch setting of this switch was changed on date code F0707 to a .030 in. W.C. setting. The new setting has been approved for replacement on all models regardless of date code.
- 2 Order Gas Valve for Natural Gas along with LP Conversion Kit.
- 3 Jacket is not available for replacement.

**DISCLAIMER:** This document is intended to provide general replacement parts information to aid qualified service personnel in the repair of these models. The complete Model and Serial Number of the unit under repair should be specified when selecting and ordering replacement parts. Specifications and illustrations are subject to change without notice. Document 92-42800-RGPN supersedes all previous parts lists for these models. See <http://www.rheempartslists.net/92-42800-RGPN> for the latest revision of this document. The manufacturer assumes no obligation for errors or omissions. Service personnel must verify the proper and safe operation of equipment after the replacement of any original components.