



RGPE

Parts List
07-December-2013



*This parts list is current as of the above revision date.
See <http://www.rheempartslists.net/92-42800-RGPE.pdf> for the current revision.*

80% Gas Furnaces - 2 Stage

Table of Contents

Model Explanation	Page 3
Parts Numbers	
Panels - Miscellaneous	Page 4
Electrical Group	Page 5
Blower Group.....	Page 6
Heat Exchanger-Burner Group.....	Page 6
Gas Controls	Page 7
Orifice Selection Chart.....	Page 8
Drawings/Photographs	
Exploded View	Page 9
Blower Assembly	Page 10
Burner Assembly	Page 11
Notes/Disclaimer	Page 12

MODEL NUMBER EXPLANATION

R	G	P	E	-	0	7	E	A	M	K	R
(1)	(2)	(3)	(4)			(5)		(6)	(7)	(8)	(9)

- | | |
|--|--|
| <p>(1) TRADEBRAND IDENTIFICATION</p> <p>(2) MODEL
G = Gas Furnace</p> <p>(3) TYPE
P = Upflow/Horizontal</p> <p>(4) DESIGN SERIES / VARIATION
E = Serial Communicating Controls</p> <p>(5) HEATING INPUT DESIGNATION
05 = 50,000 BTU/HR
07 = 75,000 BTU/HR
10 = 100,000 BTU/HR
12 = 125,000 BTU/HR</p> <p>E = Electric Ignition
N = Electric Ignition with NOX</p> | <p>(6) VARIATIONS
A = Standard Cabinet
B = Wide Cabinet</p> <p>(7) BLOWER DESIGNATION
M = 11 x 7
R = 11 x 10</p> <p>(8) AIRFLOW
K = 800 - 1200 CFM
Q = 1000 - 1600 CFM
M - 1200 - 2000 CFM</p> <p>(9) FUEL DESIGNATION
R = U.S. & Canadian - Natural Gas</p> |
|--|--|

SERIAL NUMBER EXPLANATION (Units Produced before Nov. 2013)

G	Z	5	D	7	0	7	F	2	5	1	0	9	9	9	9
(1)		(2)	(3)	(4)	(5)	(6)	(7)	(8)		(9)				(10)	

- | | |
|--|--|
| <p>(1) GAS CODE</p> <p>(2) LIMIT CONTROL</p> <p>(3) BLOWER</p> <p>(4) HEATING ELEMENT</p> <p>(5) SPECIAL AR</p> | <p>(6) MOTOR HORSEPOWER</p> <p>(7) PLANT
F = Fort Smith, AR</p> <p>(8) WEEK</p> <p>(9) YEAR</p> <p>(10) PRODUCTION NUMBER</p> |
|--|--|

SERIAL NUMBER EXPLANATION (Units Produced after Nov. 2013)

F	0	8	1	3	9	9	9	9
(1)	(2)		(3)			(4)		

- (1) **PLANT CODE**
- (2) **WEEK (DATE CODE)**
- (3) **YEAR**
- (4) **PRODUCTION NUMBER**

Note: For Gas Code, see Control System Gas Code on Rating Plate

No.	Notes	MODEL HEATING CAPACITY VARIATION BLOWER DESIGNATION AIRFLOW	RGPE	RGPE	RGPE	RGPE	RGPE
			05 B M K	07 A M K	07 B R Q	10 B R M	12 A R M
PANELS, SHEET METAL, MISCELLANEOUS							
1	2	Jacket (See Note 2)	N/A	N/A	N/A	N/A	N/A
2		Top Plate (Platinum)	AE-101095-02	AE-101095-02	AE-101095-03	AE-101095-03	AE-101095-04
2		Top Plate (Granite/Steel Gray)	AE-101095-06	AE-101095-06	AE-101095-07	AE-101095-07	AE-101095-08
3		Blower/Filter Door (Neutra Green)	AS-67894-11	AS-67894-11	AS-67895-11	AS-67895-11	AS-67896-11
3		Blower/Filter Door (Granite/Steel Gray)	AS-67894-13	AS-67894-13	AS-67895-13	AS-67895-13	AS-67896-13
4		Burner Compartment Door (Neutra Green)	AS-101214-01	AS-101214-01	AS-101215-01	AS-101215-01	AS-101216-01
4		Burner Compartment Door (Granite/Steel Gray)	AS-101214-10	AS-101214-10	AS-101215-10	AS-101215-10	AS-101216-10
		Plug Button - 1-3/16 in. opening (2)	45-22980-01	45-22980-01	45-22980-01	45-22980-01	45-22980-01
		Sight Glass (2)	68-21893-03	68-21893-03	68-21893-03	68-21893-03	68-21893-03
5		Mounting Control Plate	AE-67877-01	AE-67877-01	AE-67877-01	AE-67877-01	AE-67877-01
6		Junction Box	AE-61475-02	AE-61475-02	AE-61475-02	AE-61475-02	AE-61475-02
8		Junction Box Cover	AE-61476-02	AE-61476-02	AE-61476-02	AE-61476-02	AE-61476-02
9		Pressure Switch	See Electrical Group				
10		Door Switch - Push Button	See Electrical Group				
11		Limit - Main Limit (Heat Exchanger Panel)	See Electrical Group				
12		Limit - Manual Reset (Burner Compartment)	See Electrical Group				
		Limit - Heat Assisted (Blower Housing)	See Electrical Group				
13		Transformer	See Electrical Group				
14		Power Factor Choke	See Electrical Group				
15		Induced Draft Blower w/Gasket	See Electrical Group				
16		Blower Assembly	See Blower Group				
21		Heat Exchanger Assembly	See Heat Exchanger Group				
22		Heat Exchanger Bracket	See Heat Exchanger Group				
23		Filter Support Angle	AE-61883-01	AE-61883-01	AE-61883-01	AE-61883-01	AE-61883-01
24		Filter	54-24094-01	54-24094-01	54-24094-02	54-24094-02	54-24094-03
25		Filter Retainer Rod	45-24095-01	45-24095-01	45-24095-01	45-24095-01	45-24095-01
26		Filter Rod Support Angle	AE-60520-01	AE-60520-01	AE-60520-01	AE-60520-01	AE-60520-01
33		Gas Valve - Natural Gas	See Gas Controls Group				
34		Integrated Furnace Control Board (IFC)	See Gas Controls Group				
		Touch-up Paint - Platinum (Aerosol)	523012	523012	523012	523012	523012
		Touch-up Paint - Platinum (Paint Pens)	523013	523013	523013	523013	523013
		Touch-up Paint - Green (Aerosol)	52-18662-48	52-18662-48	52-18662-48	52-18662-48	52-18662-48
		Touch-up Paint - Green (Paint Pens)	523010	523010	523010	523010	523010
		Touch-up Paint - Granite/Steel Gray (Aerosol)	PD523018	PD523018	PD523018	PD523018	PD523018
		Touch-up Paint - Granite/Steel Gray (Paint Pens)	PD523019	PD523019	PD523019	PD523019	PD523019

No.	Notes	MODEL HEATING CAPACITY VARIATION BLOWER DESIGNATION AIRFLOW	RGPE	RGPE	RGPE	RGPE	RGPE
			05 B M K	07 A M K	07 B R Q	10 B R M	12 A R M
ELECTRICAL GROUP							
9	Stk	Dual Pressure Switch	42-102341-02	42-102341-02	42-102341-02	42-102341-02	42-102341-02
9	Stk	Dual Pressure Switch - 278 Option	42-102341-04	42-102341-04	42-102341-04	42-102341-04	42-102341-04
10		Door Switch - Push Button	42-22692-08	42-22692-08	42-22692-08	42-22692-08	42-22692-08
11	Stk	Limit - Main Limit (Heat Exchanger Panel)	47-25349-11	47-25349-03	47-25349-01	47-25349-03	47-25349-09
12	Stk	Limit - Manual Reset (Burner Compartment)	47-22861-03 (2)	47-22861-03 (2)	47-22861-03 (2)	47-22861-03 (2)	47-22861-03 (2)
	Stk	Limit - Heat Assisted (Blower Housing)	47-22860-06	47-22860-06	47-22860-06	47-22860-06	47-22860-06
13	Stk	Transformer	46-102856-01	46-102856-01	46-102856-01	46-102856-01	46-102856-01
14		Power Factor Choke	46-24256-02	N/A	46-24256-02	46-24256-02	46-24256-02
14	3	Power Factor Choke - Before F1712 (See Note 3)	N/A	46-24256-02	N/A	N/A	N/A
	3	Jumper Wire Assembly - After F1712 (See Note 3)	N/A	45-104318-01	N/A	N/A	N/A
15	Stk	Induced Draft Blower w/Gasket	70-101888-01	70-101888-01	70-101888-01	70-101888-02	70-101888-02
		Push Mount Tie (for Memory Card Wire Tie)	64-102873-01	64-102873-01	64-102873-01	64-102873-01	64-102873-01
		Memory Card	47-102738-11	47-102738-12	47-102738-13	47-102738-14	47-102738-15
		Wiring Harness - 9 pin to (3 pin - to gas valve and 7 terminals)	45-102812-02	45-102812-02	45-102812-02	45-102812-02	45-102812-02
		Wiring Harness - 4 pin from Blower Motor to 4 pin	45-102785-01	45-102785-01	45-102785-01	45-102785-01	45-102785-01
		Wiring Harness - 15 pin to 9 pin and two 4 pin connectors	45-102967-01	45-102967-01	45-102967-01	45-102967-01	45-102967-01
		Wiring Harness - 9 pin to 15 pin from IFC Board	45-102967-01	45-102967-01	45-102967-01	45-102967-01	45-102967-01
		Wiring Harness - 5 pin from Indoor Blower Motor to 2 pin and 3 pin connectors	45-103019-01	45-103019-01	45-103019-01	45-103019-01	45-103019-01
		Wiring Harness - 3 pin to (2 terminals and 1 strip back - from Junction Box)	45-24371-53	45-24371-53	45-24371-53	45-24371-53	45-24371-53
		Wiring Harness - 4 pin to 4 pin and 1 terminal (Blower Shelf to Induced Draft Motor)	45-102789-01	45-102789-01	45-102789-01	N/A	N/A
		Wiring Harness - 4 pin to 5 pin and 1 terminal (Blower Shelf to Induced Draft Motor)	N/A	N/A	N/A	45-102790-01	45-102790-01

No.	Notes	MODEL HEATING CAPACITY VARIATION BLOWER DESIGNATION AIRFLOW	RGPE	RGPE	RGPE	RGPE	RGPE
			05 B M K	07 A M K	07 B R Q	10 B R M	12 A R M
BLOWER GROUP							
16	Stk	Blower Assembly - (Includes items 17-20)	AS-67876-39	AS-67876-40	AS-67876-41	AS-67876-42	AS-67876-42
17		Housing	AS-61674-21	AS-61674-21	AS-61674-22	AS-61674-22	AS-61674-22
18	Stk,4	Blower Motor - Communicating ECM (See Note 4)	51-102603-01	51-102602-01	51-102603-01	51-102605-01	51-102605-01
	Stk,4	ECM Motor Module - Genteq ECM 3.0 (See Note 4)	51-103224-01	51-103226-01	51-103224-01	51-103223-01	51-103223-01
	Stk,4	ECM Motor Module - U.S. Motors PerfectSpeed (See Note 4)	51-104362-02	51-104362-03	51-104362-02	51-104362-01	51-104362-01
19		Motor Mount Kit: includes grommets, screws, nuts, motor mount and brackets	70-24104-82	70-24104-82	70-24104-82	70-24104-82	70-24104-82
		Motor Mount	70-24104-02	70-24104-02	70-24104-02	70-24104-02	70-24104-02
		Motor Mount Bracket (4)	AE-61956-01	AE-61956-01	AE-61956-01	AE-61956-01	AE-61956-01
20	Stk	Blower Wheel	70-24254-02	70-24254-02	70-23111-20	70-23111-20	70-23111-20

No.	Notes	MODEL HEATING CAPACITY VARIATION BLOWER DESIGNATION AIRFLOW	RGPE	RGPE	RGPE	RGPE	RGPE
			05 B M K	07 A M K	07 B R Q	10 B R M	12 A R M
HEAT EXCHANGER, BURNER / MANIFOLD							
21	Stk	Heat Exchanger Assembly	AS-61579-13	AS-100560-01	AS-61579-12	AS-61579-04	AS-61579-05
		NOX Burner Inserts	AS-67875-01 (1)	AS-67875-01 (2)	AS-67875-01 (2)	AS-67875-01 (3)	AS-67875-01 (4)
		NOX Insert Retainer	AE-67872-01	AE-67872-02	AE-67872-02	AE-67872-03	AE-67872-04
22		Heat Exchanger Bracket (2)	AE-67846-02	AE-67846-02	AE-67846-02	AE-67846-02	AE-67846-02
27	Stk	Burner Assembly	AS-60993-02	AS-60993-03	AS-60993-03	AS-60993-04	AS-60993-05
28		Burner Support	AE-60997-01	AE-60997-02	AE-60997-02	AE-60997-03	AE-60997-04
29		Burner Support Bracket (2)	AE-61588-02	AE-61588-02	AE-61588-02	AE-61588-02	AE-61588-02
		Burner Cover Plate	AE-101080-06	AE-101080-02	AE-101080-02	AE-101080-03	AE-101080-04
30	Stk	Manifold (w/o Orifices)	81-102427-01	81-102427-02	81-102427-02	81-102427-03	81-102427-04
31		Burner Orifice - Natural Gas	See Orifice Selection Chart				
31		Burner Orifice - LP	See Orifice Selection Chart				
31		Number of Orifices	(2)	(3)	(3)	(4)	(5)
36		Flame Sensor	See Gas Controls				
37		Direct Spark Ignitor	See Gas Controls				
38		Direct Spark Ignitor Bracket	See Gas Controls				
		Limit Control - Flame Roll-Out	See Electrical Group				
		NOX Burner Inserts	AS-67875-01 (1)	AS-67875-01 (2)	AS-67875-01 (2)	AS-67875-01 (3)	AS-67875-01 (4)
		NOX Insert Retainer	AE-67872-01	AE-67872-02	AE-67872-02	AE-67872-03	AE-67872-04

No.	Notes	MODEL GAS CODE	RGPE GZ
GAS CONTROLS			
33	Stk	Gas Valve - Natural Gas	60-101921-01
33	Stk,1	Gas Valve - LP	See Note 1
34	Stk	Integrated Furnace Control Board (IFC)	62-102784-01
36	Stk	Flame Sensor	62-23543-01
37	Stk	Direct Spark Ignitor	62-24164-01
38		Direct Spark Ignitor Bracket	AE-61885-02
LP Conversion Kit:			
	Stk	U.S. Models	FP-32
	Stk	Canadian Models	FP-32

80% GAS FURNACE - ORIFICE SELECTION CHART - NATURAL GAS

CAUTION: Selection of the correct Natural Gas Orifice requires the following information for the specific installation:

- 1) Altitude in of the installation (ft.).
- 2) Average energy content of the Natural Gas fuel from the local supplier (BTU/cu. ft.).

For detailed information and instructions for Orifice selection, see the Gas Furnace LP Conversion Kit Index 92-21519-59 and the latest edition of the National Fuel Gas Code Handbook, or the National Standard of Canada, Natural Gas and Propane Installation Code, CAN B149.1.

CAUTION: This information is provided for replacement purposes only. Conversion for operation at High Altitude must be done using the kit specified on the product specification sheet for the unit.

NOTE: This Orifice sizing chart is based on 25,000 BTU/HR per burner.

NOTE: Factory installed orifices are calculated and sized based on a Natural Gas heating value of 1075 BTU/cu. ft. and an elevation of 0 - 3000 ft.

Energy Value (BTU/cu. ft.)	Elevation (ft.)							
	0 - 1999	2000 - 2999	3000 - 3999	4000 - 4999	5000 - 5999	6000 - 6999	7000 - 7999	8000 - 8999
850	62-22175-38	62-22175-39	62-22175-40	62-22175-41	62-22175-41	62-22175-42	62-22175-42	62-22175-43
900	62-22175-40	62-22175-41	62-22175-42	62-22175-42	62-22175-42	62-22175-43	62-22175-43	62-22175-44
975	62-22175-41	62-22175-42	62-22175-42	62-22175-42	62-22175-43	62-22175-43	62-22175-44	62-22175-44
1075	62-22175-42	62-22175-42	62-22175-43	62-22175-43	62-22175-43	62-22175-44	62-22175-44	62-22175-45
1170	62-22175-43	62-22175-44	62-22175-44	62-22175-44	62-22175-45	62-22175-45	62-22175-46	62-22175-47

80% GAS FURNACE - ORIFICE SELECTION CHART - LP

CAUTION: Selection of the correct LP Orifice requires the altitude of the specific installation (ft.).

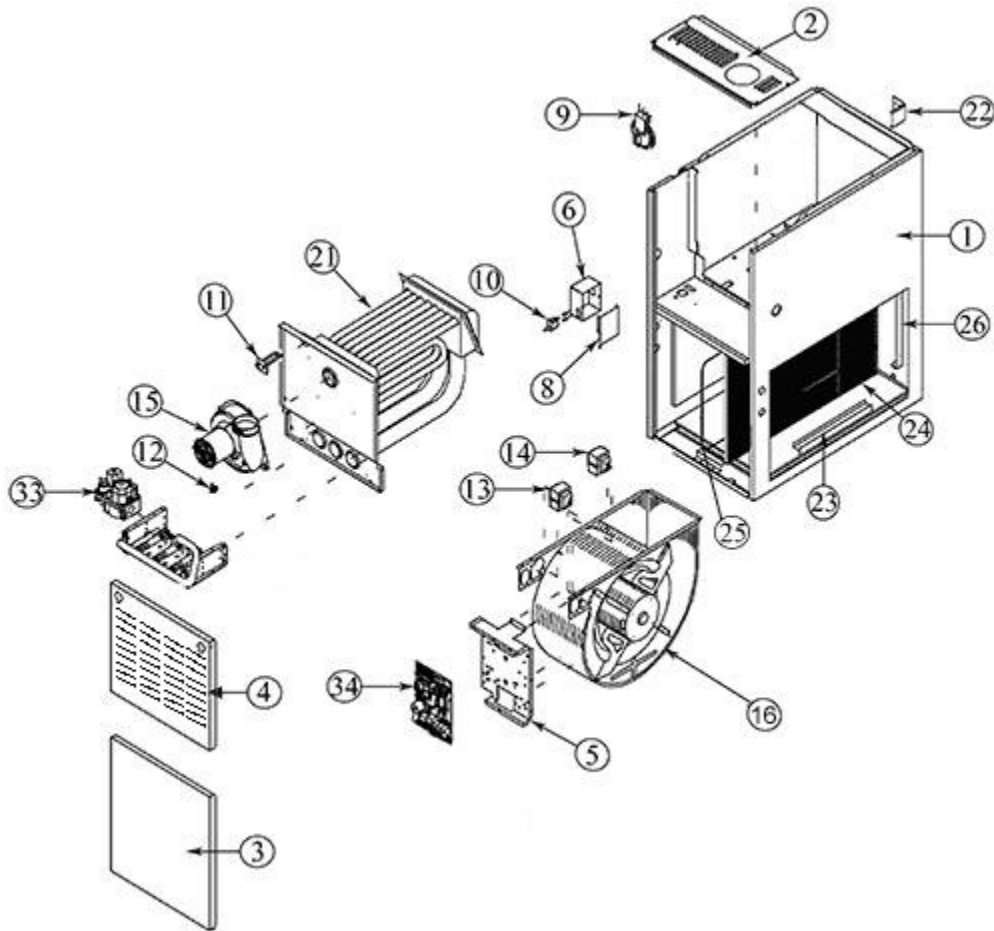
For detailed information and instructions for Orifice selection, see the Gas Furnace LP Conversion Kit Index 92-21519-59 and the latest edition of the National Fuel Gas Code Handbook (NFG), or the National Standard of Canada, Natural Gas and Propane Installation Code, CAN B149.1.

CAUTION: This information is provided for replacement purposes only. Conversion to LP or for operation at High Altitude should be done using the kit(s) specified on the product specification sheet for the unit.

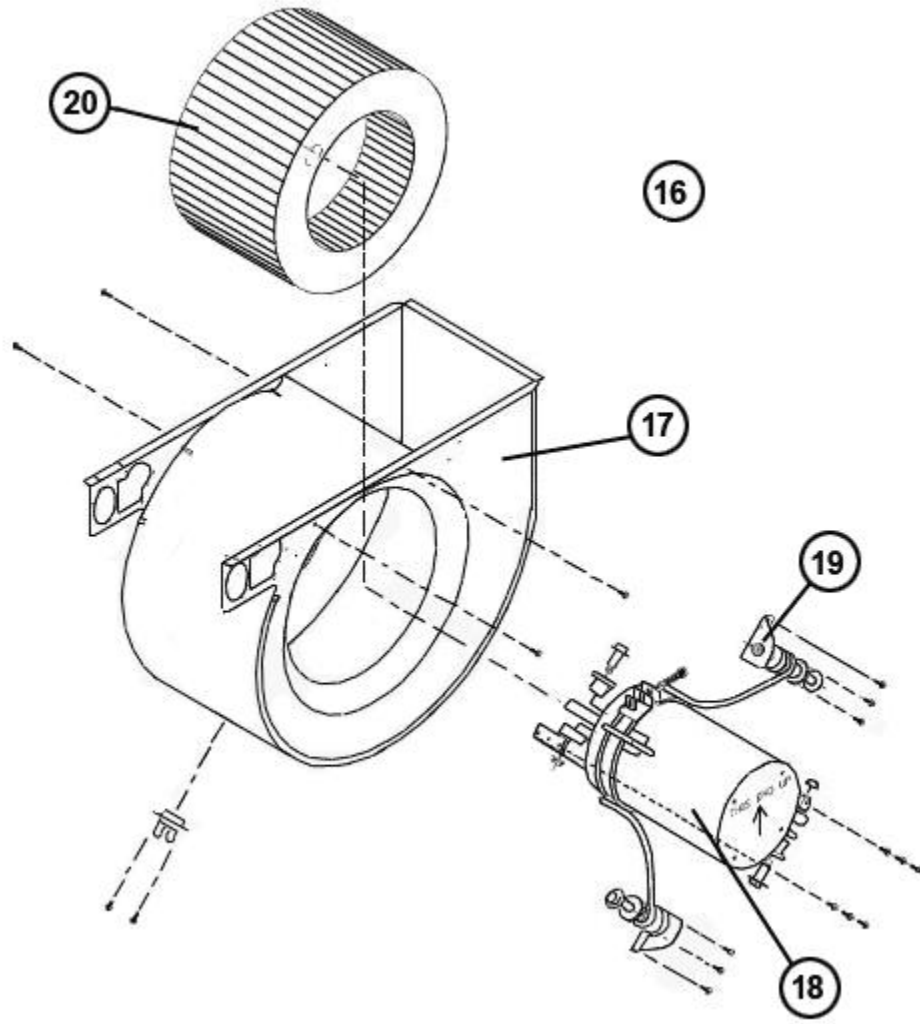
NOTE: This Orifice sizing chart is based on 25,000 BTU/HR per burner. Also, the chart is developed using the specified pressure setting of 10 in. water column instead of the 11.0 in water column used by the NFG and CANB149.1.

NOTE: Orifices supplied in the LP Conversion Kit are calculated and sized based on an altitude of 0 - 4000 ft.

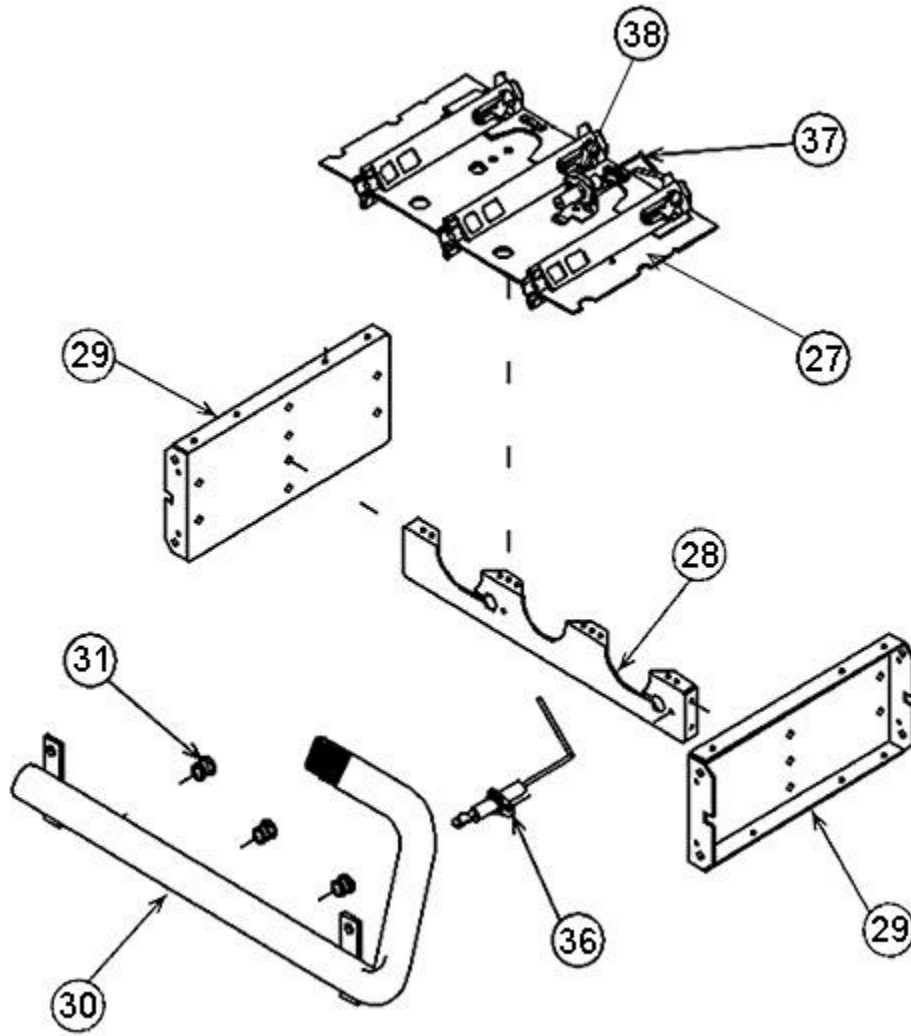
Elevation (ft.)	Orifice							
0 - 2000	62-22175-54							
2001 - 3000	62-22175-54							
3001 - 4000	62-22175-54							
4001 - 5000	62-22175-54							
5001 - 6000	62-22175-54							
6001 - 7000	62-22175-54							
7001 - 8000	62-22175-55							
8001 - 9000	62-22175-55							
9001 - 10000	62-22175-55							



Exploded View



Blower Assembly



Burner Assembly

NOTES

Stk It is recommended that stock be maintained for this part.

N/A Not Applicable

- 1 Order Gas Valve for Natural Gas along with LP Conversion Kit.
- 2 Jacket is not available for replacement.
- 3 Replacement of Power Factor Choke is optional on units with 1/2 hp, X-13 and ECM, motors produced before F1712. After approximate date code F1712, production units will be supplied with a Jumper Wire Assembly (45-104318-01) in lieu of a Power Factor Choke. This Jumper Wire Assembly can be retrofitted to units built before Date Code F1712.
- 4 Both Genteq ECM 3.0 and U.S. Motors PerfectSpeed motors were installed in production. The motor shown will replace either manufacturer. However, if only the module is being replaced, the manufacturer of the original motor must be determined before selecting a replacement module.

DISCLAIMER: This document is intended to provide general replacement parts information to aid qualified service personnel in the repair of these models. The complete Model and Serial Number of the unit under repair should be specified when selecting and ordering replacement parts. Specifications and illustrations are subject to change without notice. Document 92-42800-RGPE supersedes all previous parts lists for these models. See <http://www.rheempartslists.net/92-42800-RGPE> for the latest revision of this document. The manufacturer assumes no obligation for errors or omissions. Service personnel must verify the proper and safe operation of equipment after the replacement of any original components.