



# RGLT

Parts List  
26-August-2014



*This parts list is current as of the above revision date.  
See <http://www.rheempartslists.net/92-42800-RGLT.pdf> for the current revision.*

**80% Gas Furnaces**

# Table of Contents

|                                  |         |
|----------------------------------|---------|
| Model Explanation .....          | Page 3  |
| <b>Parts Numbers</b>             |         |
| Panels - Miscellaneous .....     | Page 4  |
| Electrical Group .....           | Page 5  |
| Blower Group.....                | Page 6  |
| Heat Exchanger-Burner Group..... | Page 7  |
| Gas Controls .....               | Page 8  |
| Orifice Selection Chart.....     | Page 9  |
| <b>Drawings/Photographs</b>      |         |
| Exploded View .....              | Page 10 |
| Blower Assembly .....            | Page 11 |
| Motor Bracket Assembly .....     | Page 12 |
| Burner Detail .....              | Page 13 |
| Notes/Disclaimer .....           | Page 14 |

**MODEL NUMBER EXPLANATION**

|          |          |          |          |          |          |          |          |          |          |          |          |
|----------|----------|----------|----------|----------|----------|----------|----------|----------|----------|----------|----------|
| <b>R</b> | <b>G</b> | <b>L</b> | <b>T</b> | <b>-</b> | <b>0</b> | <b>7</b> | <b>E</b> | <b>A</b> | <b>M</b> | <b>G</b> | <b>R</b> |
| 1        | 2        | 3        | 4        |          |          | 5        |          | 6        | 7        | 8        | 9        |

(1) **TRADEBRAND IDENTIFICATION**

(2) **MODEL**  
G = Gas Furnace

(3) **TYPE**  
L = Downflow

(4) **DESIGN SERIES (X-13 Motor)**

(5) **HEATING INPUT DESIGNATION**  
07 = 75,000 BTU/HR  
10 = 100,000 BTU/HR  
12 = 125,000 BTU/HR

E = Electric Ignition  
N = Electric Ignition NOx

(6) **VARIATIONS**  
A = Standard  
B = Wide Cabinet

(7) **BLOWER DESIGNATION**  
M = 11 x 7  
R = 11 x 10

(8) **AIRFLOW**  
K = 600 - 1200 (3R)  
Q = 1000 - 1600 (4R)  
M = 1200 - 2000 (5R)

(9) **FUEL DESIGNATION**  
R = Natural Gas - CSA - United States / Canada

**SERIAL NUMBER EXPLANATION (Units Produced before Nov. 2013)**

|          |          |          |          |          |          |          |          |          |          |          |          |          |          |          |          |
|----------|----------|----------|----------|----------|----------|----------|----------|----------|----------|----------|----------|----------|----------|----------|----------|
| <b>H</b> | <b>V</b> | <b>5</b> | <b>D</b> | <b>3</b> | <b>0</b> | <b>7</b> | <b>F</b> | <b>3</b> | <b>1</b> | <b>1</b> | <b>0</b> | <b>9</b> | <b>9</b> | <b>9</b> | <b>9</b> |
| 1        | 2        | 3        | 4        | 5        | 6        | 7        | 8        | 9        |          |          |          |          |          |          | 10       |

(1) **GAS CODE**

(2) **LIMIT CONTROL**

(3) **BLOWER**

(4) **HEATING ELEMENT**

(5) **SPECIAL AREA REQUIREMENT**

(6) **MOTOR HORSEPOWER**

(7) **PLANT**  
F = Fort Smith, AR

(8) **WEEK**

(9) **YEAR**

(10) **PRODUCTION NUMBER**

**SERIAL NUMBER EXPLANATION (Units Produced after Nov. 2013)**

|          |          |          |          |          |          |          |          |          |
|----------|----------|----------|----------|----------|----------|----------|----------|----------|
| <b>F</b> | <b>0</b> | <b>8</b> | <b>1</b> | <b>3</b> | <b>9</b> | <b>9</b> | <b>9</b> | <b>9</b> |
| (1)      | (2)      | (3)      | (4)      |          |          |          |          |          |

(1) **PLANT CODE**

(2) **WEEK (DATE CODE)**

(3) **YEAR**

(4) **PRODUCTION NUMBER**

**Note: For Gas Code, see Control System Gas Code on Rating Plate**

| No.                                       | Notes | MODEL<br>HEATING CAPACITY<br>VARIATION<br>BLOWER DESIGNATION<br>AIRFLOW            | RGLT-<br>07<br>A<br>M<br>K | RGLT-<br>07<br>B<br>R<br>Q | RGLT-<br>10<br>B<br>R<br>M | RGLT-<br>12<br>A<br>R<br>M |
|---|-------|--|----------------------------|----------------------------|----------------------------|----------------------------|
| <b>PANELS, SHEET METAL, MISCELLANEOUS</b> |       |  |                            |                            |                            |                            |
| 1   |       | Burner Compartment Door (Neutra Green)   | AS-101734-01               | AS-101735-01               | AS-101735-01               | AS-101736-01               |
| 1   |       | Burner Compartment Door (Granite/Steel Gray)                                       | AS-101734-11               | AS-101735-11               | AS-101735-11               | AS-101736-11               |
|   |       | Sight Glass  | 68-21893-03                | 68-21893-03                | 68-21893-03                | 68-21893-03                |
| 2   |       | Plug Button (2)  | 45-22980-01                | 45-22980-01                | 45-22980-01                | 45-22980-01                |
| 3   |       | Blower/Filter Door (Neutra Green)  | AS-67894-11                | AS-67895-11                | AS-67895-11                | AS-67896-11                |
| 3   |       | Blower/Filter Door (Granite/Steel Gray)  | AS-67894-13                | AS-67895-13                | AS-67895-13                | AS-67896-13                |
| 4   |       | Door Switch- Push Button   | 42-22692-08                | 42-22692-08                | 42-22692-08                | 42-22692-08                |
| 5   |       | Pressure Switch  | See Electrical Group       |                            |                            |                            |
|   |       | Silicone Rubber Tubing   | AE-61737-04                | AE-61737-23                | AE-61737-23                | AE-61737-15                |
| 6   |       | Junction Box   | AE-61475-02                | AE-61475-02                | AE-61475-02                | AE-61475-02                |
| 7   |       | Junction Box Cover   | AE-61476-02                | AE-61476-02                | AE-61476-02                | AE-61476-02                |
|   |       | Flue Pipe  | AE-66691-14                | AE-66691-14                | AE-66691-14                | AE-66691-14                |
|   |       | Flue Pipe Enclosure Assembly - (Includes Flue Pipe, Enclosure, and Enclosure Door) | AS-100608-01               | AS-100608-01               | AS-100608-01               | AS-100608-01               |
| 8   |       | Top Plate (Platinum)   | AE-66981-02                | AE-66981-03                | AE-66981-03                | AE-66981-04                |
| 8   |       | Top Plate (Granite/Steel Gray)   | AE-66981-10                | AE-66981-11                | AE-66981-11                | AE-66981-12                |
| 9   |       | Limit - Heat Assisted (Blower Housing)   | See Electrical Group       |                            |                            |                            |
| 10  | 2     | Jacket (See Note 2)  | N/A                        | N/A                        | N/A                        | N/A                        |
| 11  |       | Blower Assembly  | See Blower Group           |                            |                            |                            |
| 12  |       | Heat Exchanger Bracket   | See Heat Exchanger Group   |                            |                            |                            |
| 13  |       | Heat Exchanger   | See Heat Exchanger Group   |                            |                            |                            |
| 14  |       | Induced Draft Blower   | See Heat Exchanger Group   |                            |                            |                            |
| 15  |       | Limit - Main Limit (Heat Exchanger Panel)  | See Electrical Group       |                            |                            |                            |
| 23  |       | Control Mounting Plate   | AE-67877-01                | AE-67877-01                | AE-67877-01                | AE-67877-01                |
|   |       | Baffle - Right Side  | AE-61606-01                | AE-101899-01               | AE-61668-01                | AE-61665-01                |
|   |       | Baffle - Left Side   | AE-61606-01                | AE-101899-02               | AE-61668-01                | AE-61665-01                |
|   |       | Rear Baffle  | AE-66994-02                | AE-66994-06                | AE-66994-06                | AE-66994-04                |
|   |       | Touch-up Paint - Platinum (Aerosol)  | 523012                     | 523012                     | 523012                     | 523012                     |
|   |       | Touch-up Paint - Platinum (Paint Pens)   | 523013                     | 523013                     | 523013                     | 523013                     |
|   |       | Touch-up Paint - Green (Aerosol)   | 52-18662-48                | 52-18662-48                | 52-18662-48                | 52-18662-48                |
|   |       | Touch-up Paint - Green (Paint Pens)  | 523010                     | 523010                     | 523010                     | 523010                     |
|   |       | Touch-up Paint - Granite/Steel Gray (Aerosol)                                      | PD523018                   | PD523018                   | PD523018                   | PD523018                   |
|   |       | Touch-up Paint - Granite/Steel Gray (Paint Pens)                                   | PD523019                   | PD523019                   | PD523019                   | PD523019                   |

| No.                   | Notes | MODEL<br>HEATING CAPACITY<br>VARIATION<br>BLOWER DESIGNATION<br>AIRFLOW           | RGLT-             | RGLT-             | RGLT-             | RGLT-             |
|-----------------------|-------|---|-------------------|-------------------|-------------------|-------------------|
|                       |       |   | 07<br>A<br>M<br>K | 07<br>B<br>R<br>Q | 10<br>B<br>R<br>M | 12<br>A<br>R<br>M |
| <b>ELECTRIC GROUP</b> |       |   |                   |                   |                   |                   |
| 5                     | Stk   | Pressure Switch   | 42-101233-02      | 42-101233-02      | 42-101233-02      | 42-101233-02      |
| 9                     | Stk   | Limit - Heat Assisted (Blower Housing)  | 47-22860-06       | 47-22860-06       | 47-22860-06       | 47-22860-06       |
| 14                    | Stk   | Induced Draft Blower w/Gasket   | 70-101087-01      | 70-101087-01      | 70-101087-01      | 70-101087-01      |
| 15                    | Stk   | Limit - Main Limit (Heat Exchanger Panel)   | 47-25349-13       | 47-25349-16       | 47-25349-02       | 47-25349-02       |
| 17                    | Stk   | Limit - Manual Reset (Burner Compartment)   | 47-22861-03       | 47-22861-03       | 47-22861-03       | 47-22861-03       |
| 24                    | Stk   | Integrated Furnace Control Board (IFC)  | See Gas Controls  |                   |                   |                   |
| 27                    | Stk   | Transformer   | 46-24124-03       | 46-24124-03       | 46-24124-03       | 46-24124-03       |
|                       |       | Power Factor Choke  | N/A               | 46-24256-02       | 46-24256-02       | 46-24256-02       |
|                       | 3     | Power Factor Choke - Before F1712 (See Note 3)                                    | 46-24256-02       | N/A               | N/A               | N/A               |
|                       | 3     | Jumper Wire Assembly - After F1712 (See Note 3)                                   | 45-104318-01      | N/A               | N/A               | N/A               |
|                       |       | Wiring Harness - 4 pin to 2 insulated terminals, 2 wires                          | 45-24371-18       | 45-24371-18       | 45-24371-18       | 45-24371-18       |
|                       |       | Wiring Harness - 4 pin to 2 pin, 2 wires  | 45-24371-08       | 45-24371-08       | 45-24371-08       | 45-24371-08       |
|                       |       | Wiring Harness - 9 pin to (9 pin and 4 pin)                                       | 45-103559-01      | 45-103559-01      | 45-103559-01      | 45-103559-01      |
|                       |       | Wiring Harness - 4 pin from motor to (2 pin and 3 terminals) IFC and blower choke | 45-103552-01      | 45-103552-01      | 45-103552-01      | 45-103552-01      |
|                       |       | Wiring Harness - 5 pin to 5 terminals (IFC to Motor Control)                      | 45-103551-01      | 45-103551-01      | 45-103551-01      | 45-103551-01      |
|                       |       | Wiring Harness - 9 pin to 8 terminals (5 insulated/1 straight/2 flag), 8 wires    | 45-24371-11       | 45-24371-11       | 45-24371-11       | 45-24371-11       |
|                       |       | Wiring Harness - 4 pin to 2 ring terminals, 1 wire, 1 terminal                    | 45-24371-12       | 45-24371-12       | 45-24371-12       | 45-24371-12       |

| No.                 | Notes | MODEL<br>HEATING CAPACITY<br>VARIATION<br>BLOWER DESIGNATION<br>AIRFLOW                 | RGLT-<br>07<br>A<br>M<br>K | RGLT-<br>07<br>B<br>R<br>Q | RGLT-<br>10<br>B<br>R<br>M | RGLT-<br>12<br>A<br>R<br>M |
|---------------------|-------|---|----------------------------|----------------------------|----------------------------|----------------------------|
| <b>BLOWER GROUP</b> |       |   |                            |                            |                            |                            |
| 8                   | Stk   | Blower Assembly (Includes items 18-23)  | AS-67876-60                | AS-67876-61                | AS-67876-62                | AS-67876-63                |
| 18                  | Stk   | Blower Wheel  | 70-24254-02                | 70-23111-20                | 70-23111-20                | 70-23111-20                |
| 19                  |       | Housing   | AS-61674-21                | AS-61674-06                | AS-61674-06                | AS-61674-06                |
| 20                  | Stk   | Blower Motor  | 51-102172-04               | 51-102280-05               | 51-102280-06               | 51-102280-07               |
|                     |       | Motor Mount Kit: includes grommets, screws, nuts, motor mount, and motor mount brackets | 70-24104-82                | 70-24104-82                | 70-24104-82                | 70-24104-82                |
| 21a                 |       | Motor Mount   | 70-24104-02                | 70-24104-02                | 70-24104-02                | 70-24104-02                |
| 21b                 |       | Back Rubber Grommet (4)   | 56-24107-01                | 56-24107-01                | 56-24107-01                | 56-24107-01                |
| 21c                 |       | Retaining Bolt (4)  | 63-20072-06                | 63-20072-06                | 63-20072-06                | 63-20072-06                |
| 21d                 |       | Front Rubber Grommet (4)  | 56-24106-01                | 56-24106-01                | 56-24106-01                | 56-24106-01                |
| 21e                 |       | Motor Mount Bracket (4)   | AE-61956-01                | AE-61956-01                | AE-61956-01                | AE-61956-01                |
| 21f                 |       | Screw - Motor Mount   | 63-24108-01                | 63-24108-01                | 63-24108-01                | 63-24108-01                |
| 21g                 |       | Square Nut - Motor Mount  | 63-40304-04                | 63-40304-04                | 63-40304-04                | 63-40304-04                |
| 21h                 |       | Hex Nut (4)   | 63-24110-01                | 63-24110-01                | 63-24110-01                | 63-24110-01                |
| 23                  |       | Limit - Heat Assisted (Blower Housing)  | See Electric Group         |                            |                            |                            |

| No.  | Notes | MODEL<br>HEATING CAPACITY<br>VARIATION<br>BLOWER DESIGNATION<br>AIRFLOW | RGLT-<br>07<br>A<br>M<br>K  | RGLT-<br>07<br>B<br>R<br>Q | RGLT-<br>10<br>B<br>R<br>M | RGLT-<br>12<br>A<br>R<br>M |
|--|-------|---|-----------------------------|----------------------------|----------------------------|----------------------------|
| <b>HEAT EXCHANGER, BURNER / MANIFOLD GROUP</b> |       |   |                             |                            |                            |                            |
|  |       | Heat Exchanger Bracket (Left Side)                                      | AE-67846-02                 | AE-67846-02                | AE-67846-02                | AE-67846-02                |
|  |       | Heat Exchanger Bracket (Right Side)                                     | AE-67846-02                 | AE-67846-02                | AE-67846-02                | AE-67846-02                |
| 13   | Stk   | Heat Exchanger Assembly   | AS-100561-01                | AS-66997-22                | AS-66997-04                | AS-66997-05                |
| 13   | Stk   | Heat Exchanger Assembly (NOX)   | AS-100561-02                | AS-66997-24                | AS-66997-17                | AS-66997-18                |
|  |       | NOX Insert Assembly   | AS-67875-01<br>(2)          | AS-67875-01<br>(2)         | AS-67875-01<br>(3)         | AS-67875-01<br>(4)         |
|  |       | NOX Insert Retainer   | AE-67872-02                 | AE-67872-02                | AE-67872-02                | AE-67872-02                |
| 26   |       | Burner Cover Plate  | AE-101080-02                | AE-101080-02               | AE-101080-03               | AE-101080-04               |
| 29   |       | Burner Support Bracket (2)  | AE-61588-02                 | AE-61588-02                | AE-61588-02                | AE-61588-02                |
| 30   | Stk   | Manifold (w/o Orifices)   | 81-102427-02                | 81-102427-02               | 81-102427-03               | 81-102427-04               |
| 31   | Stk   | Burner Assembly   | AS-60993-03                 | AS-60993-03                | AS-60993-04                | AS-60993-05                |
| 38   |       | Burner Support  | AE-60997-02                 | AE-60997-02                | AE-60997-03                | AE-60997-04                |
|  |       | Burner Orifice - Natural Gas  | See Orifice Selection Chart |                            |                            |                            |
|  |       | Burner Orifice - LP   | See Orifice Selection Chart |                            |                            |                            |
|  |       | Number of Orifices  | (3)                         | (3)                        | (4)                        | (5)                        |

| No.                 | Notes | MODEL<br>GAS CODE                      | RGLT<br>HV   | RGLT<br>HT   |
|---------------------|-------|--|--------------|--------------|
| <b>GAS CONTROLS</b> |       |  |              |              |
| 24                  | Stk   | Integrated Furnace Control Board (IFC) | 62-103498-01 | 62-103498-01 |
| 32                  | Stk   | Gas Valve - Natural Gas                | 60-100394-03 | 60-24180-01  |
| 32                  | Stk,1 | Gas Valve - LP                         | See Note 1   | See Note 1   |
| 35                  | Stk   | Ignitor                                | 62-24164-01  | 62-24164-01  |
| 36                  |       | Ignitor Bracket                        | AE-61885-02  | AE-61885-02  |
| 37                  | Stk   | Flame Sensor                           | 62-23543-01  | 62-23543-01  |
|                     | Stk   | LP Conversion Kit                      | FP-15        | FP-15        |



**80% GAS FURNACE - ORIFICE SELECTION CHART - NATURAL GAS**

**CAUTION:** Selection of the correct Natural Gas Orifice requires the following information for the specific installation:

- 1) Altitude in of the installation (ft.).
- 2) Average energy content of the Natural Gas fuel from the local supplier (BTU/cu. ft.).

For detailed information and instructions for Orifice selection, see the Gas Furnace LP Conversion Kit Index 92-21519-59 and the latest edition of the National Fuel Gas Code Handbook, or the National Standard of Canada, Natural Gas and Propane Installation Code, CAN B149.1.

**CAUTION:** This information is provided for replacement purposes only. Conversion for operation at High Altitude must be done using the kit specified on the product specification sheet for the unit.

NOTE: This Orifice sizing chart is based on 25,000 BTU/HR per burner.

NOTE: Factory installed orifices are calculated and sized based on a Natural Gas heating value of 1075 BTU/cu. ft. and an elevation of 0 - 3000 ft.

| Energy Value<br>(BTU/cu. ft.) | Elevation (ft.) |             |             |             |             |             |             |             |
|-------------------------------|-----------------|-------------|-------------|-------------|-------------|-------------|-------------|-------------|
|                               | 0 - 1999        | 2000 - 2999 | 3000 - 3999 | 4000 - 4999 | 5000 - 5999 | 6000 - 6999 | 7000 - 7999 | 8000 - 8999 |
| <b>850</b>                    | 62-22175-38     | 62-22175-39 | 62-22175-40 | 62-22175-41 | 62-22175-41 | 62-22175-42 | 62-22175-42 | 62-22175-43 |
| <b>900</b>                    | 62-22175-40     | 62-22175-41 | 62-22175-42 | 62-22175-42 | 62-22175-42 | 62-22175-43 | 62-22175-43 | 62-22175-44 |
| <b>975</b>                    | 62-22175-41     | 62-22175-42 | 62-22175-42 | 62-22175-42 | 62-22175-43 | 62-22175-43 | 62-22175-44 | 62-22175-44 |
| <b>1075</b>                   | 62-22175-42     | 62-22175-42 | 62-22175-43 | 62-22175-43 | 62-22175-43 | 62-22175-44 | 62-22175-44 | 62-22175-45 |
| <b>1170</b>                   | 62-22175-43     | 62-22175-44 | 62-22175-44 | 62-22175-44 | 62-22175-45 | 62-22175-45 | 62-22175-46 | 62-22175-47 |

**80% GAS FURNACE - ORIFICE SELECTION CHART - LP**

**CAUTION:** Selection of the correct LP Orifice requires the altitude of the specific installation (ft.).

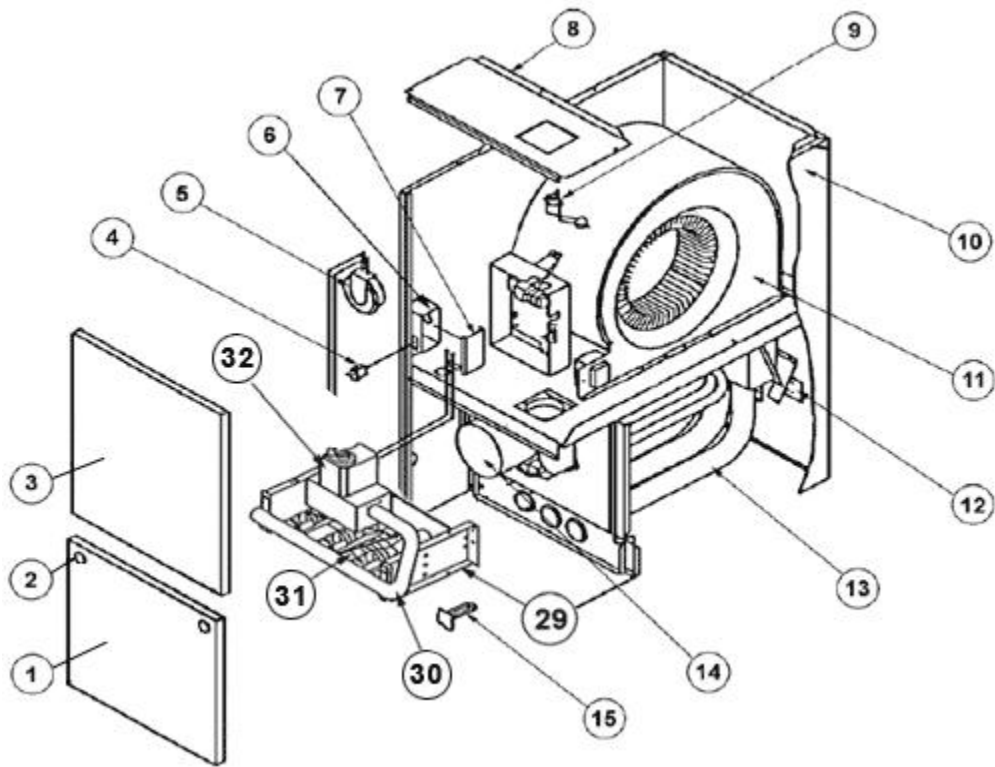
For detailed information and instructions for Orifice selection, see the Gas Furnace LP Conversion Kit Index 92-21519-59 and the latest edition of the National Fuel Gas Code Handbook (NFG), or the National Standard of Canada, Natural Gas and Propane Installation Code, CAN B149.1.

**CAUTION:** This information is provided for replacement purposes only. Conversion to LP or for operation at High Altitude should be done using the kit(s) specified on the product specification sheet for the unit.

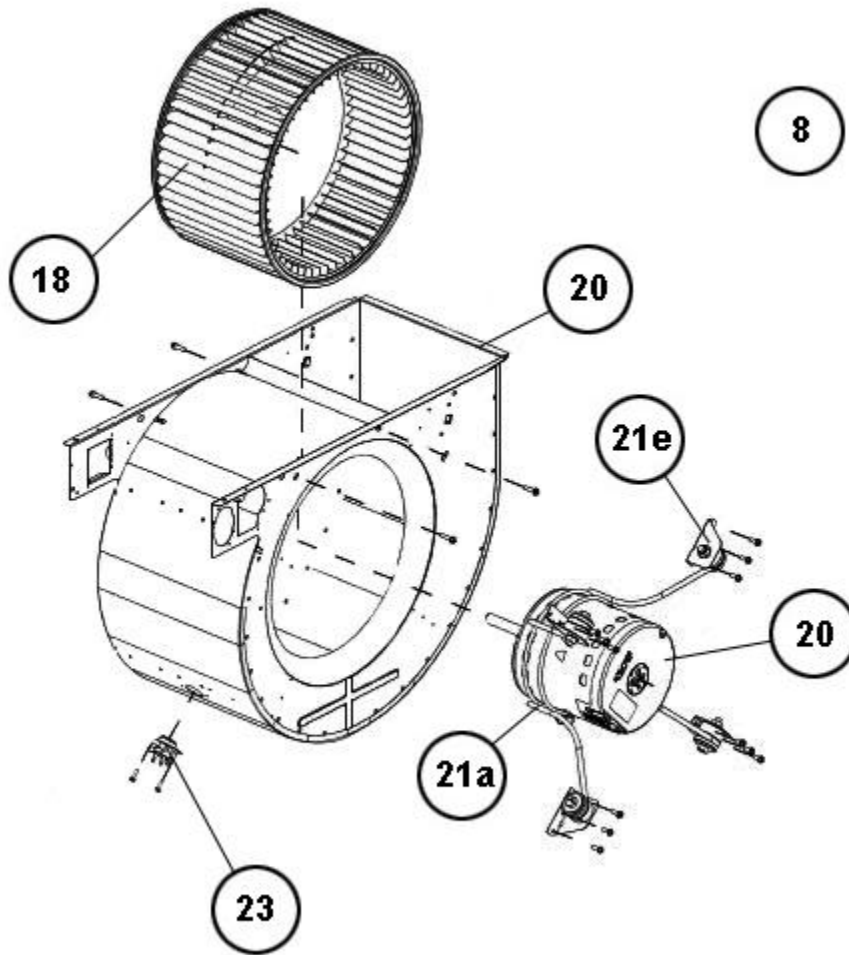
NOTE: This Orifice sizing chart is based on 25,000 BTU/HR per burner. Also, the chart is developed using the specified pressure setting of 10 in. water column instead of the 11.0 in water column used by the NFG and CANB149.1.

NOTE: Orifices supplied in the LP Conversion Kit are calculated and sized based on an altitude of 0 - 4000 ft.

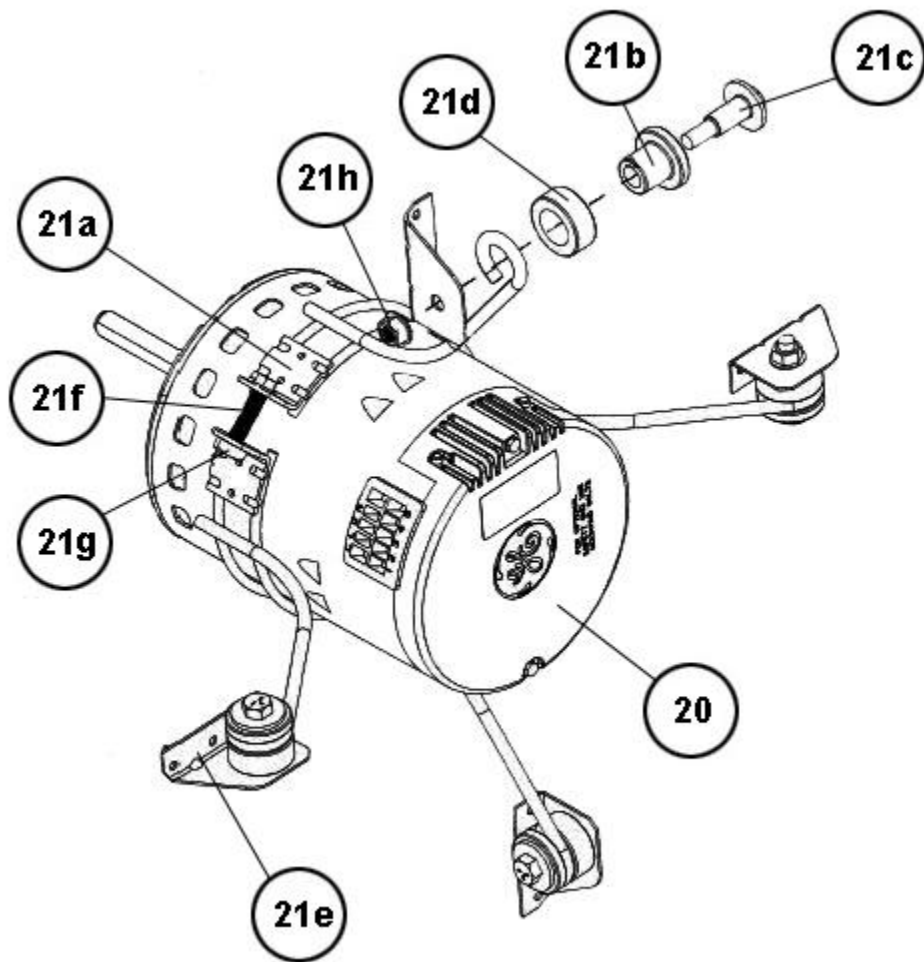
| Elevation (ft.) | Orifice     |  |  |  |  |  |  |  |
|-----------------|-------------|--|--|--|--|--|--|--|
| 0 - 2000        | 62-22175-54 |  |  |  |  |  |  |  |
| 2001 - 3000     | 62-22175-54 |  |  |  |  |  |  |  |
| 3001 - 4000     | 62-22175-54 |  |  |  |  |  |  |  |
| 4001 - 5000     | 62-22175-54 |  |  |  |  |  |  |  |
| 5001 - 6000     | 62-22175-54 |  |  |  |  |  |  |  |
| 6001 - 7000     | 62-22175-54 |  |  |  |  |  |  |  |
| 7001 - 8000     | 62-22175-55 |  |  |  |  |  |  |  |
| 8001 - 9000     | 62-22175-55 |  |  |  |  |  |  |  |
| 9001 - 10000    | 62-22175-55 |  |  |  |  |  |  |  |



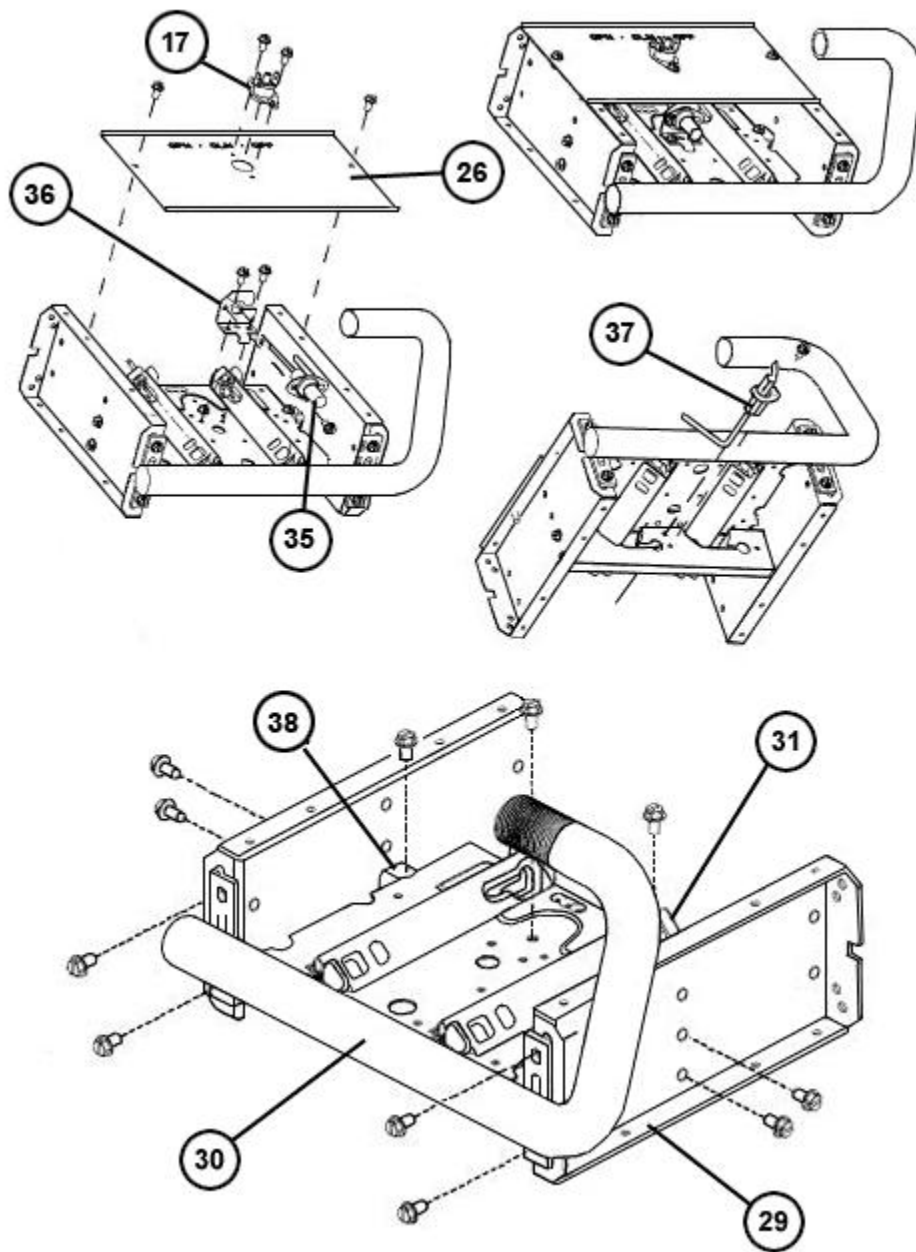
Exploded View



Blower Assembly



Motor Bracket Assembly



Burner Detail

# NOTES

Stk It is recommended that stock be maintained for this part.

N/A Not Applicable

- 1 Order Gas Valve for Natural Gas along with LP Conversion Kit
- 2 Jacket is not available for replacement.
- 3 Replacement of Power Factor Choke is optional on units with 1/2 hp, X-13 and ECM, motors produced before F1712. After approximate date code F1712, production units will be supplied with a Jumper Wire Assembly (45-104318-01) in lieu of a Power Factor Choke. This Jumper Wire Assembly can be retrofitted to units built before Date Code F1712.

**DISCLAIMER:** This document is intended to provide general replacement parts information to aid qualified service personnel in the repair of these models. The complete Model and Serial Number of the unit under repair should be specified when selecting and ordering replacement parts. Specifications and illustrations are subject to change without notice. Document 92-42800-RGLT supersedes all previous parts lists for these models. See <http://www.rheempartslists.net/92-42800-RGLT> for the latest revision of this document. The manufacturer assumes no obligation for errors or omissions. Service personnel must verify the proper and safe operation of equipment after the replacement of any original components.