



RGLR

Parts List
06-November-2012



*This parts list is current as of the above revision date.
See <http://www.rheempartslists.net/92-42800-RGLR.pdf> for the current revision.*

80% Gas Furnaces - 2 Stage

Table of Contents

Model Explanation	Page 3
Parts Numbers	
Panels - Miscellaneous	Page 4
Electrical Group	Page 5
Blower Group.....	Page 5
Heat Exchanger-Burner Group.....	Page 6
Gas Controls	Page 6
Orifice Selection Chart.....	Page 7
Drawings/Photographs	
Exploded View	Page 8
Blower Assembly	Page 9
Burner Assembly	Page 10
Notes/Disclaimer	Page 11

MODEL NUMBER EXPLANATION

R	G	L	R	-	0	7	E	A	M	K	R
(1)	(2)	(3)	(4)			(5)		(6)	(7)	(8)	(9)

(1) **TRADEBRAND IDENTIFICATION**

(2) **MODEL**
G = Gas Furnace

(3) **TYPE**
L = Downflow

(4) **DESIGN SERIES / VARIATION**

(5) **HEATING INPUT DESIGNATION**
07 = 75,000 BTU/HR
10 = 100,000 BTU/HR
12 = 120,000 BTU/HR

E = Electric Ignition
N = Electric Ignition with NOX

(6) **VARIATION**

A = Std. Cabinet
B = Wide Cabinet

(7) **BLOWER DESIGNATION**

M = 11 x 7
R = 11 x 10

(8) **AIRFLOW**

K = 800-1200 CFM
Q = 1000-1600 CFM
M = 1200-2000 CFM

(9) **FUEL DESIGNATION**

R = Natural Gas - U.S. and Canada

SERIAL NUMBER EXPLANATION

G	R	5	D	7	0	7	F	1	5	0	6	9	9	9	9
(1)	(2)	(3)	(4)	(5)	(6)	(7)	(8)	(9)				(10)			

(1) **GAS CODE**

(2) **LIMIT CONTROL**

(3) **BLOWER**

(4) **HEATING ELEMENT**

(5) **SPECIAL AREA REQUIREMENT**

(6) **MOTOR HORSEPOWER**

(7) **PLANT**
F = Fort Smith, AR

(8) **WEEK**

(9) **YEAR**

(10) **PRODUCTION NUMBER**

No.	Notes	MODEL HEATING CAPACITY VARIATION BLOWER DESIGNATION AIRFLOW	RGLR 07 A M K	RGLR 07 B R Q	RGLR 10 B R M	RGLR 12 A R M
PANELS, SHEET METAL, MISCELLANEOUS						
1		Jacket	AS-66991-22	AS-66991-23	AS-66991-23	AS-66991-24
2		Top Plate	AE-66981-02	AE-66981-03	AE-66981-03	AE-66981-04
3		Blower/Filter Door	AS-67894-01	AS-67895-01	AS-67895-01	AS-67896-01
4		Burner Door	AS-101734-01	AS-101735-01	AS-101735-01	AS-101736-01
		Plug Button - 1-3/16 in. opening (2)	45-22980-01	45-22980-01	45-22980-01	45-22980-01
		Door Angle	AE-66980-02	AE-66980-02	AE-66980-03	AE-66980-04
5		Mounting Control Plate	AE-67877-01	AE-67877-01	AE-67877-01	AE-67877-01
6		Junction Box	AE-61475-02	AE-61475-02	AE-61475-02	AE-61475-02
7		Junction Box Cover	AE-61476-02	AE-61476-02	AE-61476-02	AE-61476-02
9		Flue Pipe	AE-66691-14	AE-66691-14	AE-66691-14	AE-66691-14
10		Flue Pipe Enclosure	AE-66982-01	AE-66982-01	AE-66982-01	AE-66982-01
11		Flue Pipe Enclosure Door	AE-66983-01	AE-66983-01	AE-66983-01	AE-66983-01
12		Rear Baffle	AE-66994-02	AE-66994-06	AE-66994-06	AE-66994-04
14		Pressure Switch	See Electrical Group			
15		Door Switch - Push Button	See Electrical Group			
16		Limit - Main Limit (Heat Exchanger Panel)	See Electrical Group			
17		Limit - Manual Reset (Burner Compartment)	See Electrical Group			
18		Limit - Heat Assisted (Blower Housing)	See Electrical Group			
19		Transformer	See Electrical Group			
20		Power Factor Choke	See Electrical Group			
21		Induced Draft Blower w/Gasket	See Electrical Group			
22		Blower Assembly	See Blower Group			
27		Heat Exchanger Assembly	See Heat Exchanger Group			
28		Heat Exchanger Bracket	See Heat Exchanger Group			
29		Filter (2)	54-22699-01	54-22699-01	54-22699-01	54-22699-02
30		Filter Rack	AE-66681-01	AE-66681-01	AE-66681-01	AE-66681-01
37		NOX Burner Inserts	See Heat Exchanger Group			
38		NOX Insert Retainer	See Heat Exchanger Group			
39		Gas Valve	See Gas Controls			
40		Integrated Furnace Control Board (IFC)	See Gas Controls			
41		ECM Interface Control Board	See Gas Controls			

No.	Notes	MODEL HEATING CAPACITY VARIATION BLOWER DESIGNATION AIRFLOW	RGLR	RGLR	RGLR	RGLR
			07 A M K	07 B R Q	10 B R M	12 A R M
ELECTRICAL GROUP						
14	Stk,2	Pressure Switch	42-102341-02	42-102341-02	42-102341-02	42-102341-02
15	Stk	Door Switch - Push Button	42-22692-04	42-22692-04	42-22692-04	42-22692-04
16	Stk	Limit - Main Limit (Heat Exchanger Panel)	47-25349-13	47-25349-16	47-25349-02	47-25349-12
17	Stk	Limit - Manual Reset (Burner Compartment)	47-22861-03	47-22861-03	47-22861-03	47-22861-03
18	Stk	Limit - Heat Assisted (Blower Housing)	47-22860-06	47-22860-06	47-22860-06	47-22860-06
19	Stk	Transformer w/Fuse - Before F1106	46-22863-04	46-22863-04	46-22863-04	46-22863-04
19	Stk	Transformer w/Fuse - After F1106	46-101496-01	46-101496-01	46-101496-01	46-101496-01
20		Power Factor Choke	46-24256-02	46-24256-02	46-24256-02	46-24256-02
21	Stk	Induced Draft Blower w/Gasket	70-101888-01	70-101888-01	70-101888-02	70-101888-02
		Wiring Harness - 9 pin to (3 pin and 7 terminals)	45-24371-21	45-24371-21	45-24371-21	45-24371-21
		Wiring Harness - 4 pin to (3 pin from IFC Board)	45-24371-26	45-24371-26	45-24371-26	45-24371-26
		Wiring Harness - 2 pin to (1 terminal and 1 strip back from Junction Box)	45-24371-37	45-24371-37	45-24371-37	45-24371-37
		Wiring Harness - 4 pin from blower shelf to (4 pin to Induced Draft Motor)	45-24371-48	45-24371-48	N/A	N/A
		Wiring Harness - 4 pin from blower shelf to (5 pin to Induced Draft Motor)	N/A	N/A	45-24371-49	45-24371-49
		Wiring Harness - 5 pin from Indoor Blower Motor to two 2 pin connectors (After F3407)	45-102643-01	45-102643-01	45-102643-01	45-102643-01
		Wiring Harness - 5 pin from Indoor Blower Motor to two 2 pin connectors (Before F3407)	45-24371-31	45-24371-31	45-24371-31	45-24371-31
		Wiring Harness - 16 pin to 16 pin from IFC Board (After F3407)	45-102641-01	45-102641-01	45-102641-01	45-102641-01
		Wiring Harness - 16 pin to 15 pin from ECM Interface Control (Before F3407)	45-24258-08	45-24258-08	45-24258-08	45-24258-08
		Wiring Harness - 9 pin to 12 pin from IFC Board (After F3407)	45-102668-01	45-102668-01	45-102668-01	45-102668-01
		Wiring Harness - 9 pin to 12 pin from IFC Board (Before F3407)	45-24371-25	45-24371-25	45-24371-25	45-24371-25

No.	Notes	MODEL HEATING CAPACITY VARIATION BLOWER DESIGNATION AIRFLOW	RGLR	RGLR	RGLR	RGLR
			07 A M K	07 B R Q	10 B R M	12 A R M
BLOWER GROUP						
22	Stk	Blower Assembly (Includes items 23-26)	AS-67876-29	AS-67876-30	AS-67876-31	AS-67876-32
23		Housing	AS-61674-21	AS-61674-06	AS-61674-06	AS-61674-06
24	Stk	Blower Motor (ECM)	51-24374-21	51-24375-17	51-24376-20	51-24376-21
25		Motor Mount Kit: includes grommets, screws, nuts, motor mount and motor mount brackets	70-24104-82	70-24104-82	70-24104-82	70-24104-82
		Motor Mount	70-24104-02	70-24104-02	70-24104-02	70-24104-02
		Motor Mount Bracket (4)	AE-61956-01	AE-61956-01	AE-61956-01	AE-61956-01
26	Stk	Blower Wheel	70-24254-02	70-23111-20	70-23111-20	70-23111-20

No.	Notes	MODEL HEATING CAPACITY VARIATION BLOWER DESIGNATION AIRFLOW	RGLR 07 A M K	RGLR 07 B R Q	RGLR 10 B R M	RGLR 12 A R M
HEAT EXCHANGER, BURNER / MANIFOLD						
27	Stk	Heat Exchanger Assembly	AS-100561-01	AS-66997-22	AS-66997-04	AS-66997-05
28		Heat Exchanger Bracket (2)	AE-67846-02	AE-67846-02	AE-67846-02	AE-67846-02
32	Stk	Burner Assembly	AS-60993-03	AS-60993-03	AS-60993-04	AS-60993-05
33		Burner Support	AE-60997-02	AE-60997-02	AE-60997-03	AE-60997-04
34		Burner Support Bracket (2)	AE-61588-02	AE-61588-02	AE-61588-02	AE-61588-02
35	Stk	Manifold (w/o Orifices)	81-101149-02	81-101149-02	81-101149-03	81-101149-04
36		Burner Orifice - Natural Gas	See Orifice Selection Chart			
36		Burner Orifice - LP	See Orifice Selection Chart			
36		Number of Orifices	(3)	(3)	(4)	(5)
37		NOX Burner Inserts	AS-67875-01 (2)	AS-67875-01 (2)	AS-67875-01 (3)	AS-67875-01 (4)
38		NOX Insert Retainer	AE-67872-02	AE-67872-02	AE-67872-03	AE-67872-04

No.	Notes	MODEL GAS CODE	RGLR FC	RGLR FL	RGLR FR	RGLR GR
GAS CONTROLS						
39	Stk	Gas Valve - Natural Gas	60-23490-08	60-24394-01	60-23490-12	60-101921-01
39	Stk	Gas Valve - LP	See Note 1	See Note 1	See Note 1	See Note 4
40	3	Original Integrated Furnace Control Board (IFC) - See Note 3	62-24320-02	62-24320-02	62-24320-02	62-24320-02
40	Stk,3	Replacement Integrated Furnace Control Board (IFC) Kit - See Note 3	62-102637-81	62-102637-81	62-102637-81	62-102637-81
41	3	ECM Interface Control - See Note 3	62-24340-04	62-24340-04	62-24340-04	62-24340-04
42	Stk	Flame Sensor	62-23543-01	62-23543-01	62-23543-01	62-23543-01
43	Stk	Direct Spark Ignitor	62-24164-01	62-24164-01	62-24164-01	62-24164-01
		Direct Spark Ignitor Bracket	AE-61885-02	AE-61885-02	AE-61885-02	AE-61885-02
		LP Conversion Kit:				
	Stk	U.S. Models	FP-09	FP-09	FP-09	FP-32
	Stk	Canadian Models	FP-10	FP-10	FP-10	FP-32

No.	Notes	MODEL GAS CODE	RGLR GX			
GAS CONTROLS						
39	Stk	Gas Valve - Natural Gas	60-101921-01			
39	Stk	Gas Valve - LP	See Note 4			
40	Stk	Integrated Furnace Control Board (IFC)	62-102637-01			
41		ECM Interface Control	N/A			
42	Stk	Flame Sensor	62-23543-01			
43	Stk	Direct Spark Ignitor	62-24164-01			
		Direct Spark Ignitor Bracket	AE-61885-02			
		LP Conversion Kit:				
	Stk	U.S. Models	FP-32			
	Stk	Canadian Models	FP-32			

80% GAS FURNACE - ORIFICE SELECTION CHART - NATURAL GAS

CAUTION: Selection of the correct Natural Gas Orifice requires the following information for the specific installation:

- 1) Altitude in of the installation (ft.).
- 2) Average energy content of the Natural Gas fuel from the local supplier (BTU/cu. ft.).

For detailed information and instructions for Orifice selection, see the Gas Furnace LP Conversion Kit Index 92-21519-59 and the latest edition of the National Fuel Gas Code Handbook, or the National Standard of Canada, Natural Gas and Propane Installation Code, CAN B149.1.

CAUTION: This information is provided for replacement purposes only. Conversion for operation at High Altitude must be done using the kit specified on the product specification sheet for the unit.

NOTE: This Orifice sizing chart is based on 25,000 BTU/HR per burner.

NOTE: Factory installed orifices are calculated and sized based on a Natural Gas heating value of 1075 BTU/cu. ft. and an elevation of 0 - 3000 ft.

Energy Value (BTU/cu. ft.)	Elevation (ft.)							
	0 - 1999	2000 - 2999	3000 - 3999	4000 - 4999	5000 - 5999	6000 - 6999	7000 - 7999	8000 - 8999
850	62-22175-38	62-22175-39	62-22175-40	62-22175-41	62-22175-41	62-22175-42	62-22175-42	62-22175-43
900	62-22175-40	62-22175-41	62-22175-42	62-22175-42	62-22175-42	62-22175-43	62-22175-43	62-22175-44
975	62-22175-41	62-22175-42	62-22175-42	62-22175-42	62-22175-43	62-22175-43	62-22175-44	62-22175-44
1075	62-22175-42	62-22175-42	62-22175-43	62-22175-43	62-22175-43	62-22175-44	62-22175-44	62-22175-45
1170	62-22175-43	62-22175-44	62-22175-44	62-22175-44	62-22175-45	62-22175-45	62-22175-46	62-22175-47

80% GAS FURNACE - ORIFICE SELECTION CHART - LP

CAUTION: Selection of the correct LP Orifice requires the altitude of the specific installation (ft.).

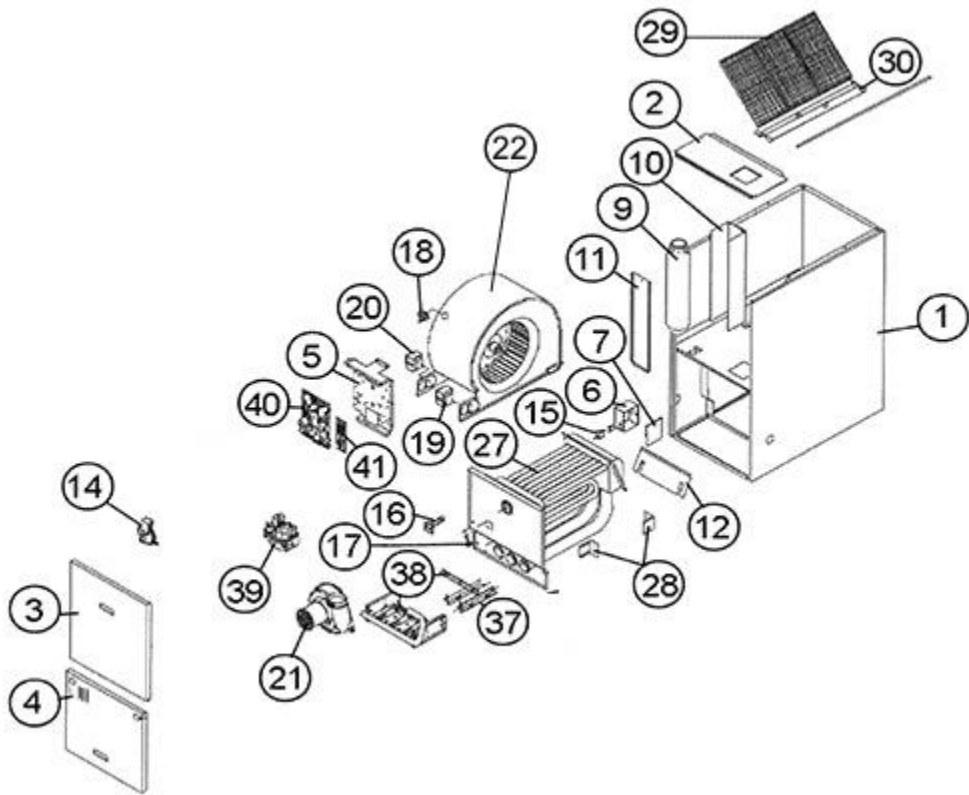
For detailed information and instructions for Orifice selection, see the Gas Furnace LP Conversion Kit Index 92-21519-59 and the latest edition of the National Fuel Gas Code Handbook (NFG), or the National Standard of Canada, Natural Gas and Propane Installation Code, CAN B149.1.

CAUTION: This information is provided for replacement purposes only. Conversion to LP or for operation at High Altitude should be done using the kit(s) specified on the product specification sheet for the unit.

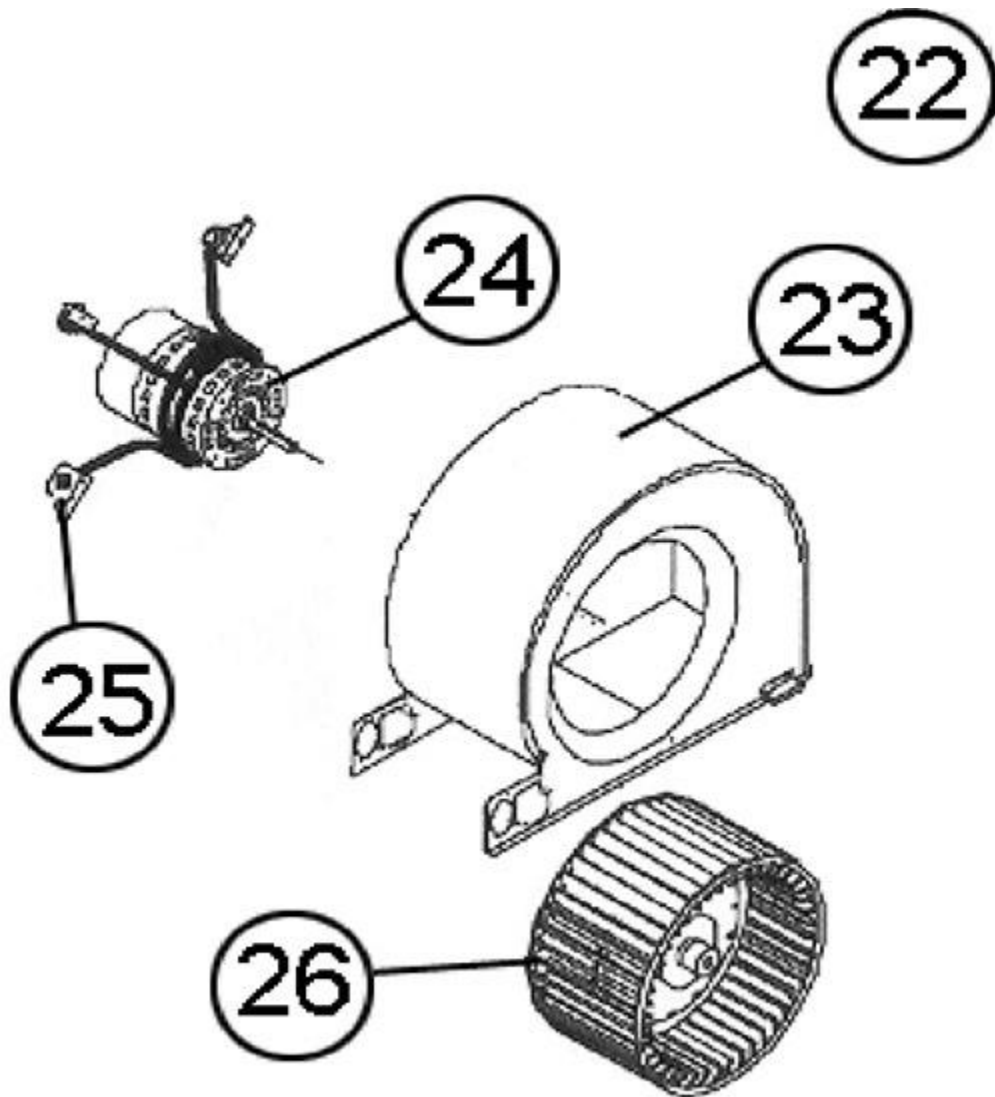
NOTE: This Orifice sizing chart is based on 25,000 BTU/HR per burner. Also, the chart is developed using the specified pressure setting of 10 in. water column instead of the 11.0 in water column used by the NFG and CANB149.1.

NOTE: Orifices supplied in the LP Conversion Kit are calculated and sized based on an altitude of 0 - 4000 ft.

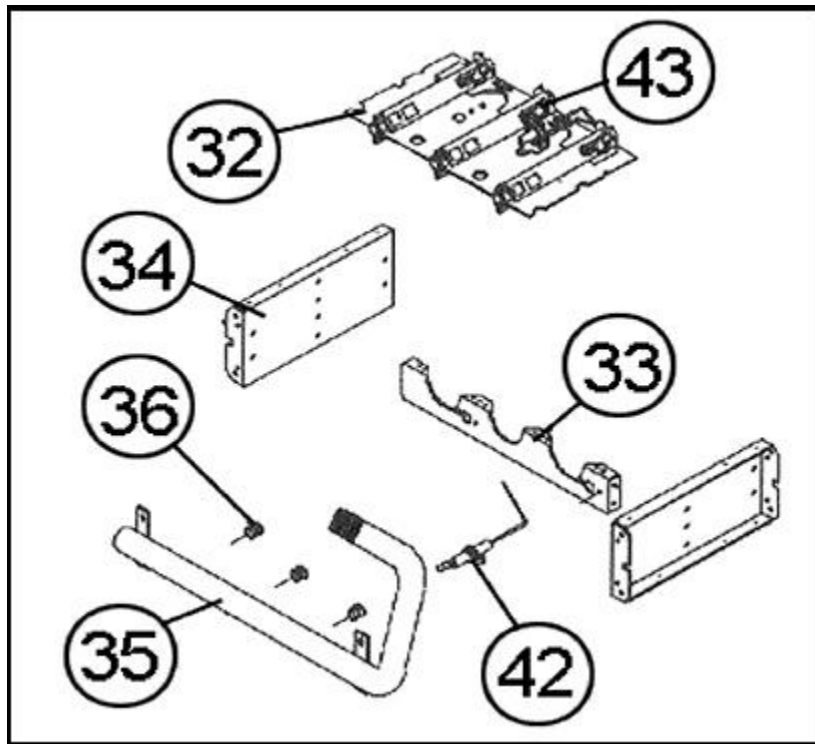
Elevation (ft.)	Orifice							
0 - 2000	62-22175-54							
2001 - 3000	62-22175-54							
3001 - 4000	62-22175-54							
4001 - 5000	62-22175-54							
5001 - 6000	62-22175-54							
6001 - 7000	62-22175-54							
7001 - 8000	62-22175-55							
8001 - 9000	62-22175-55							
9001 - 10000	62-22175-55							



Exploded View



Blower Assembly



Burner Assembly

NOTES

Stk It is recommended that stock be maintained for this part.

N/A Not Applicable

- 1 Order the specified LP Conversion Kit.
- 2 The specified replacement pressure switch may have a different pressure setting than that originally supplied.
- 3 These models were originally supply with two control boards, a larger Integrated Furnace Control Board (IFC) and a smaller ECM Interface Control. For replacement, the specified kit replaces both boards.
- 4 Order Gas Valve for Natural Gas along with LP Conversion Kit.

DISCLAIMER: This document is intended to provide general replacement parts information to aid qualified service personnel in the repair of these models. The complete Model and Serial Number of the unit under repair should be specified when selecting and ordering replacement parts. Specifications and illustrations are subject to change without notice. Document 92-42800-RGLR supersedes all previous parts lists for these models. See <http://www.rheempartslists.net/92-42800-RGLR> for the latest revision of this document. The manufacturer assumes no obligation for errors or omissions. Service personnel must verify the proper and safe operation of equipment after the replacement of any original components.