



# RGLQ

Parts List  
07-December-2013



*This parts list is current as of the above revision date.  
See <http://www.rheempartslists.net/92-42800-RGLQ.pdf> for the current revision.*

**80% Gas Furnaces - 2 Stage**

# Table of Contents

Model Explanation .....	Page 3
<b>Parts Numbers</b>	
Panels - Miscellaneous .....	Page 4
Electrical Group .....	Page 5
Blower Group.....	Page 6
Heat Exchanger-Burner Group.....	Page 7
Gas Controls .....	Page 7
Orifice Selection Chart.....	Page 8
<b>Drawings/Photographs</b>	
Exploded View .....	Page 9
Blower Assembly .....	Page 10
Burner Assembly .....	Page 11
Notes/Disclaimer .....	Page 12

**MODEL NUMBER EXPLANATION**

<b>R</b>	<b>G</b>	<b>L</b>	<b>Q</b>	<b>-</b>	<b>0</b>	<b>7</b>	<b>E</b>	<b>A</b>	<b>M</b>	<b>G</b>	<b>R</b>
(1)	(2)	(3)	(4)		(5)			(6)	(7)	(8)	(9)

(1) **TRADEBRAND IDENTIFICATION**

(2) **MODEL**  
G = Gas Furnace

(3) **TYPE**  
L = Downflow

(4) **DESIGN SERIES / VARIATION**

(5) **HEATING INPUT DESIGNATION**

05 = 50,000 BTU/HR  
07 = 75,000 BTU/HR  
10 = 100,000 BTU/HR  
12 = 125,000 BTU/HR  
15 = 150,000 BTU/HR

E = Electric Ignition  
N = Electric Ignition with NOX

(6) **VARIATIONS**

A = Standard Cabinet  
B = Wide Cabinet

(7) **BLOWER DESIGNATION**

M = 11 X 7  
R = 11 X 10  
U = 11 X 6

(8) **AIRFLOW**

E = 1100 - 1300 CFM  
J = 1800-2100 CFM

(9) **FUEL DESIGNATION**

R = Canadian and U.S. - Natural Gas

**SERIAL NUMBER EXPLANATION (Units Produced before Nov. 2013)**

<b>G</b>	<b>Q</b>	<b>5</b>	<b>D</b>	<b>7</b>	<b>0</b>	<b>7</b>	<b>F</b>	<b>3</b>	<b>5</b>	<b>0</b>	<b>6</b>	<b>9</b>	<b>9</b>	<b>9</b>	<b>9</b>
(1)	(2)	(3)	(4)	(5)	(6)	(7)	(8)	(9)	(10)						

(1) **GAS CODE**

(2) **LIMIT CONTROL**

(3) **BLOWER**

(4) **HEATING ELEMENT**

(5) **SPECIAL AREA REQUIREMENT**

(6) **MOTOR HORSEPOWER**

(7) **PLANT**  
F = Fort Smith, AR

(8) **WEEK**

(9) **YEAR**

(10) **PRODUCTION NUMBER**

**SERIAL NUMBER EXPLANATION (Units Produced after Nov. 2013)**

<b>F</b>	<b>0</b>	<b>8</b>	<b>1</b>	<b>3</b>	<b>9</b>	<b>9</b>	<b>9</b>	<b>9</b>
(1)	(2)		(3)		(4)			

(1) **PLANT CODE**

(2) **WEEK (DATE CODE)**

(3) **YEAR**

(4) **PRODUCTION NUMBER**

Note: For Gas Code, see Control System Gas Code on Rating Plate

No.	Notes	MODEL	RGLQ	RGLQ	RGLQ	RGLQ	RGLQ	RGLQ
		HEATING CAPACITY VARIATION	05	07	10	10	12	15
		BLOWER DESIGNATION	A	A	A	B	A	A
		AIRFLOW	U	M	M	R	R	R
			E	E	E	J	J	J
<b>PANELS, SHEET METAL PARTS</b>								
1	3	Jacket (See Note 3)	N/A	N/A	N/A	N/A	N/A	N/A
2		Top Plate	AE-66981-01	AE-66981-02	AE-66981-02	AE-66981-03	AE-66981-04	AE-66981-04
3		Blower/Filter Door (Neutra Green)	AS-67893-01	AS-67894-01	AS-67894-01	AS-67895-01	AS-67896-01	AS-67896-01
3		Blower/Filter Door (Granite/Steel Gray)	AS-67893-13	AS-67894-13	AS-67894-13	AS-67895-13	AS-67896-13	AS-67896-13
4		Burner Compartment Door (Neutra Green)	AS-101733-01	AS-101734-01	AS-101734-01	AS-101735-01	AS-101736-01	AS-101736-01
4		Burner Compartment Door (Granite/Steel Gray)	AS-101733-11	AS-101734-11	AS-101734-11	AS-101735-11	AS-101736-11	AS-101736-11
		Plug Button - 1-3/16 in. opening (2)	45-22980-01	45-22980-01	45-22980-01	45-22980-01	45-22980-01	45-22980-01
		Door Angle	AE-66980-01	AE-66980-02	AE-66980-02	AE-66980-03	AE-66980-04	AE-66980-04
5		Mounting Control Plate	AE-67877-01	AE-67877-01	AE-67877-01	AE-67877-01	AE-67877-01	AE-67877-01
6		Junction Box	AE-61475-02	AE-61475-02	AE-61475-02	AE-61475-02	AE-61475-02	AE-61475-02
7		Junction Box Cover	AE-61476-02	AE-61476-02	AE-61476-02	AE-61476-02	AE-61476-02	AE-61476-02
8		Flue Pipe	AE-66691-14	AE-66691-14	AE-66691-14	AE-66691-14	AE-66691-14	AE-66691-14
9		Flue Pipe Enclosure	AE-66982-01	AE-66982-01	AE-66982-01	AE-66982-01	AE-66982-01	AE-66982-01
10		Flue Pipe Enclosure Door	AE-66983-01	AE-66983-01	AE-66983-01	AE-66983-01	AE-66983-01	AE-66983-01
11		Rear Baffle	AE-66994-01	AE-66994-02	AE-66994-02	AE-66994-03	AE-66994-04	AE-66994-04
12		NOX Insert Retainer	See Heat Exchanger Group					
13		NOX Burner Inserts	See Heat Exchanger Group					
14		Pressure Switch	See Electrical Group					
15		Door Switch - Push Button	See Electrical Group					
16		Limit - Main Limit (Heat Exchanger Panel)	See Electrical Group					
17		Limit - Manual Reset (Burner Compartment)	See Electrical Group					
18		Limit - Heat Assisted (Blower Housing)	See Electrical Group					
19		Transformer	See Electrical Group					
20		Induced Draft Blower w/Gasket	See Electrical Group					
21		Blower Assembly	See Blower Group					
27		Heat Exchanger Assembly	See Heat Exchanger Group					
28		Heat Exchanger Bracket	See Heat Exchanger Group					
29		Filter (2)	54-22699-02	54-22699-01	54-22699-01	54-22699-01	54-22699-02	54-22699-02
30		Filter Rack	AE-61711-01	AE-66681-01	AE-66681-01	AE-66681-01	AE-66681-01	AE-66681-01
37		Gas Valve	See Gas Controls					
38		Integrated Furnace Control Board (IFC)	See Gas Controls					
		Touch-up Paint - Platinum (Aerosol)	523012	523012	523012	523012	523012	523012
		Touch-up Paint - Platinum (Paint Pens)	523013	523013	523013	523013	523013	523013
		Touch-up Paint - Green (Aerosol)	52-18662-48	52-18662-48	52-18662-48	52-18662-48	52-18662-48	52-18662-48
		Touch-up Paint - Green (Paint Pens)	523010	523010	523010	523010	523010	523010
		Touch-up Paint - Granite/Steel Gray (Aerosol)	PD523018	PD523018	PD523018	PD523018	PD523018	PD523018
		Touch-up Paint - Granite/Steel Gray (Paint Pens)	PD523019	PD523019	PD523019	PD523019	PD523019	PD523019

No.	Notes	MODEL HEATING CAPACITY VARIATION BLOWER DESIGNATION AIRFLOW	RGLQ	RGLQ	RGLQ	RGLQ
			05 A U E	07 A M E	10 A M E	10 B R J
<b>ELECTRIC GROUP</b>						
14	Stk,2	Pressure Switch	42-102341-02	42-102341-02	42-102341-02	42-102341-02
15		Door Switch - Push Button	42-22692-01	42-22692-01	42-22692-01	42-22692-01
16	Stk	Limit - Main Limit (Heat Exchanger Panel)	47-25349-15	47-25349-13	47-25349-05	47-25349-03
17	Stk	Limit - Manual Reset (Burner Compartment)	47-22861-03	47-22861-03	47-22861-03	47-22861-03
18	Stk	Limit - Heat Assisted (Blower Housing)	47-22860-06	47-22860-06	47-22860-06	47-22860-06
19	Stk	Transformer w/Fuse - Before F1106	46-22863-04	46-22863-04	46-22863-04	46-22863-04
19	Stk	Transformer w/Fuse - After F1106	46-101496-01	46-101496-01	46-101496-01	46-101496-01
20	Stk	Induced Draft Blower w/Gasket	70-101888-01	70-101888-01	70-101888-02	70-101888-02
		Wiring Harness - 9 pin to (3 pin and 7 terminals)	45-24371-21	45-24371-21	45-24371-21	45-24371-21
		Wiring Harness - 2 pin to two straight terminals from board	45-24371-23	45-24371-23	45-24371-23	45-24371-23
		Wiring Harness - 4 pin to (3 pin from IFC Board)	45-24371-26	45-24371-26	45-24371-26	45-24371-26
		Wiring Harness - 9 pin to 12 pin from IFC Board (After F3407)	45-102668-01	45-102668-01	45-102668-01	45-102668-01
		Wiring Harness - 9 pin to 12 pin from IFC Board (Before F3407)	45-24371-25	45-24371-25	45-24371-25	45-24371-25
		Wiring Harness - 2 pin to (1 terminal and 1 strip back from Junction Box)	45-24371-37	45-24371-37	45-24371-37	45-24371-37
		Wiring Harness - 4 pin from blower shelf to (4 pin to Induced Draft Motor)	45-24371-48	45-24371-48	N/A	N/A
		Wiring Harness - 4 pin from blower shelf to (5 pin to Induced Draft Motor)	N/A	N/A	45-24371-49	45-24371-49

No.	Notes	MODEL HEATING CAPACITY VARIATION BLOWER DESIGNATION AIRFLOW	RGLQ	RGLQ		
			12 A R J	15 A R J		
<b>ELECTRIC GROUP</b>						
14	Stk,2	Pressure Switch	42-102341-02	42-102341-02		
15		Door Switch - Push Button	42-22692-01	42-22692-01		
16	Stk	Limit - Main Limit (Heat Exchanger Panel)	47-25349-17	47-25349-05		
17	Stk	Limit - Manual Reset (Burner Compartment)	47-22861-03	47-22861-03		
18	Stk	Limit - Heat Assisted (Blower Housing)	47-22860-06	47-22860-06		
19	Stk	Transformer w/Fuse - Before F1106	46-22863-04	46-22863-04		
19	Stk	Transformer w/Fuse - After F1106	46-101496-01	46-101496-01		
20	Stk	Induced Draft Blower w/Gasket	70-101888-02	70-101888-02		
		Wiring Harness - 9 pin to (3 pin and 7 terminals)	45-24371-21	45-24371-21		
		Wiring Harness - 2 pin to two straight terminals from board	45-24371-23	45-24371-23		
		Wiring Harness - 4 pin to (3 pin from IFC Board)	45-24371-26	45-24371-26		
		Wiring Harness - 9 pin to 12 pin from IFC Board (After F3407)	45-102668-01	45-102668-01		
		Wiring Harness - 9 pin to 12 pin from IFC Board (Before F3407)	45-24371-25	45-24371-25		
		Wiring Harness - 2 pin to (1 terminal and 1 strip back from Junction Box)	45-24371-37	45-24371-37		
		Wiring Harness - 4 pin from blower shelf to (5 pin to Induced Draft Motor)	45-24371-49	45-24371-49		

No.	Notes	MODEL HEATING CAPACITY VARIATION BLOWER DESIGNATION AIRFLOW	RGLQ 05 A U E	RGLQ 07 A M E	RGLQ 10 A M E	RGLQ 10 B R J
<b>BLOWER GROUP</b>						
21	Stk	Blower Assembly (Includes items 22-26)	AS-61697-46	AS-61697-50	AS-61697-50	AS-61697-52
22		Housing	AS-61674-19	AS-61674-21	AS-61674-21	AS-61674-22
23	Stk	Blower Motor	51-24070-01	51-24070-02	51-24070-02	51-25023-01
24		Motor Mount Leg (4)	AE-61698-02	AE-61698-02	AE-61698-02	AE-61698-02
25	Stk	Blower Wheel	70-22683-01	70-22688-01	70-22688-01	70-20602-01
26	Stk	Capacitor - Blower Motor	43-100509-43	43-100509-42	43-100509-42	43-100509-43

No.	Notes	MODEL HEATING CAPACITY VARIATION BLOWER DESIGNATION AIRFLOW	RGLQ 12 A R J	RGLQ 15 A R J		
<b>BLOWER GROUP</b>						
21	Stk	Blower Assembly (Includes items 22-26)	AS-61697-52	AS-61697-31		
22		Housing	AS-61674-22	AS-61674-06		
23	Stk	Blower Motor	51-25023-01	51-25023-01		
24		Motor Mount Leg (4)	AE-61698-02	AE-61698-02		
25	Stk	Blower Wheel	70-20602-01	70-20602-01		
26	Stk	Capacitor - Blower Motor	43-100509-43	43-100509-43		

No.	Notes	MODEL HEATING CAPACITY VARIATION BLOWER DESIGNATION AIRFLOW	RGLQ 05 A U E	RGLQ 07 A M E	RGLQ 10 A M E	RGLQ 10 B R J	RGLQ 12 A R J	RGLQ 15 A R J
<b>HEAT EXCHANGER, BURNER / MANIFOLD</b>								
12		NOX Insert Retainer	AE-67872-01	AE-67872-02	AE-67872-03	AE-67872-03	AE-67872-04	AE-67872-05
13		NOX Burner Inserts	AS-67875-01 (1)	AS-67875-01 (2)	AS-67875-01 (3)	AS-67875-01 (3)	AS-67875-01 (4)	AS-67875-01 (5)
27	Stk	Heat Exchanger	AS-66997-23	AS-100561-01	AS-66997-07	AS-66997-04	AS-66997-05	AS-66997-06
28		Heat Exchanger Bracket (2) - Before F2608	AE-67846-02	AE-67846-02	AE-67846-02	AE-67846-02	AE-67846-02	AE-67846-02
		Heat Exchanger Bracket - Left Side - After F2608	AE-102680-01	AE-67846-02	AE-67846-02	AE-67846-02	AE-67846-02	AE-67846-02
		Heat Exchanger Bracket - Right Side - After F2608	AE-102680-02	AE-67846-02	AE-67846-02	AE-67846-02	AE-67846-02	AE-67846-02
32	Stk	Burner Assembly	AS-60993-02	AS-60993-03	AS-60993-04	AS-60993-04	AS-60993-05	AS-60993-06
33		Burner Support	AE-60997-01	AE-60997-02	AE-60997-03	AE-60997-03	AE-60997-04	AE-60997-05
34		Burner Support Bracket (2)	AE-61588-02	AE-61588-02	AE-61588-02	AE-61588-02	AE-61588-02	AE-61588-02
35	Stk	Manifold (w/o Orifices)	81-101149-01	81-101149-02	81-101149-03	81-101149-03	81-101149-04	AS-61663-05
36		Burner Orifice - Natural Gas	See Orifice Selection Chart					
36		Burner Orifice - LP	See Orifice Selection Chart					
36		Number of Orifices	(2)	(3)	(4)	(4)	(5)	(6)

No.	Notes	MODEL GAS CODE	RGLQ FJ	RGLQ FQ	RGLQ GQ	RGLQ GW		
<b>GAS CONTROLS</b>								
37	Stk	Gas Valve - Natural Gas	60-23490-08	60-23490-12	60-101921-01	60-101921-01		
37	Stk,1	Gas Valve - LP	See Note 1	See Note 1	See Note 4	See Note 4		
38		Integrated Furnace Control Board (IFC) - Original	62-24320-02	62-24320-02	62-24320-02	62-102635-01		
38	Stk	Integrated Furnace Control Board (IFC) - Replacement	62-102635-81	62-102635-81	62-102635-81	62-102635-01		
39	Stk	Flame Sensor	62-23543-01	62-23543-01	62-23543-01	62-23543-01		
40	Stk	Direct Spark Ignitor	62-24164-01	62-24164-01	62-24164-01	62-24164-01		
		Direct Spark Ignitor Bracket	AE-61885-02	AE-61885-02	AE-61885-02	AE-61885-02		
<b>LP Conversion Kit:</b>								
	Stk	U.S. Models	FP-09	FP-09	FP-32	FP-32		
	Stk	Canadian Models	FP-10	FP-10	FP-32	FP-32		

**80% GAS FURNACE - ORIFICE SELECTION CHART - NATURAL GAS**

**CAUTION:** Selection of the correct Natural Gas Orifice requires the following information for the specific installation:

- 1) Altitude in of the installation (ft.).
- 2) Average energy content of the Natural Gas fuel from the local supplier (BTU/cu. ft.).

For detailed information and instructions for Orifice selection, see the Gas Furnace LP Conversion Kit Index 92-21519-59 and the latest edition of the National Fuel Gas Code Handbook, or the National Standard of Canada, Natural Gas and Propane Installation Code, CAN B149.1.

**CAUTION:** This information is provided for replacement purposes only. Conversion for operation at High Altitude must be done using the kit specified on the product specification sheet for the unit.

NOTE: This Orifice sizing chart is based on 25,000 BTU/HR per burner.

NOTE: Factory installed orifices are calculated and sized based on a Natural Gas heating value of 1075 BTU/cu. ft. and an elevation of 0 - 3000 ft.

Energy Value (BTU/cu. ft.)	Elevation (ft.)							
	0 - 1999	2000 - 2999	3000 - 3999	4000 - 4999	5000 - 5999	6000 - 6999	7000 - 7999	8000 - 8999
<b>850</b>	62-22175-38	62-22175-39	62-22175-40	62-22175-41	62-22175-41	62-22175-42	62-22175-42	62-22175-43
<b>900</b>	62-22175-40	62-22175-41	62-22175-42	62-22175-42	62-22175-42	62-22175-43	62-22175-43	62-22175-44
<b>975</b>	62-22175-41	62-22175-42	62-22175-42	62-22175-42	62-22175-43	62-22175-43	62-22175-44	62-22175-44
<b>1075</b>	62-22175-42	62-22175-42	62-22175-43	62-22175-43	62-22175-43	62-22175-44	62-22175-44	62-22175-45
<b>1170</b>	62-22175-43	62-22175-44	62-22175-44	62-22175-44	62-22175-45	62-22175-45	62-22175-46	62-22175-47

**80% GAS FURNACE - ORIFICE SELECTION CHART - LP**

**CAUTION:** Selection of the correct LP Orifice requires the altitude of the specific installation (ft.).

For detailed information and instructions for Orifice selection, see the Gas Furnace LP Conversion Kit Index 92-21519-59 and the latest edition of the National Fuel Gas Code Handbook (NFG), or the National Standard of Canada, Natural Gas and Propane Installation Code, CAN B149.1.

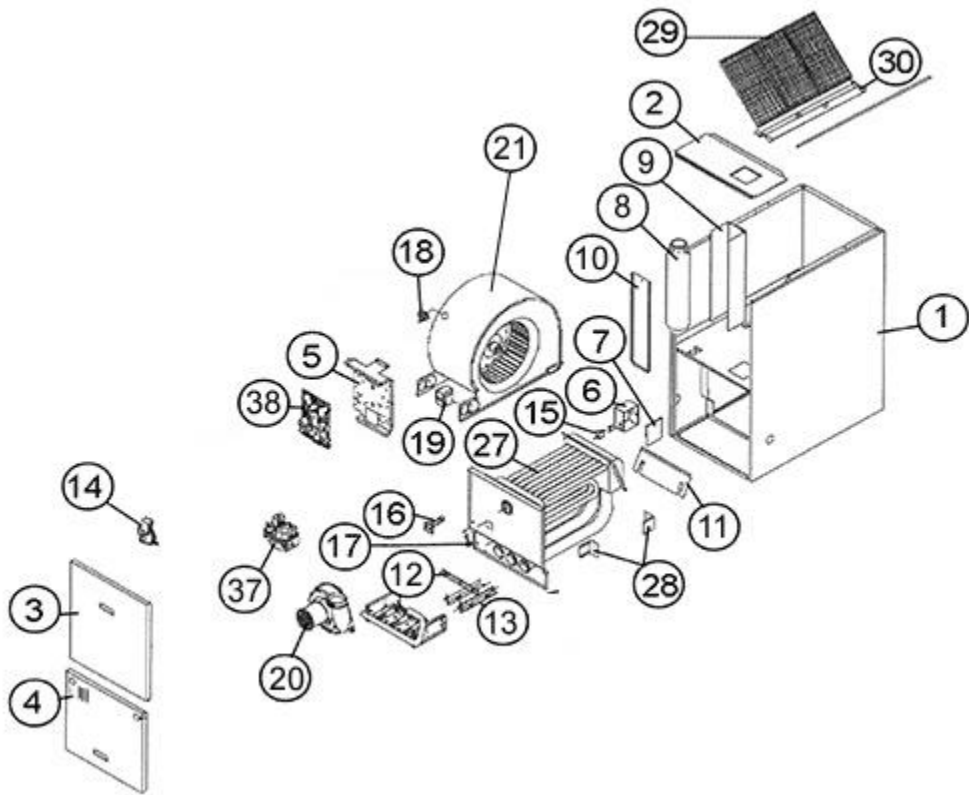
**CAUTION:** This information is provided for replacement purposes only. Conversion to LP or for operation at High Altitude should be done using the kit(s) specified on the product specification sheet for the unit.

NOTE: This Orifice sizing chart is based on 25,000 BTU/HR per burner. Also, the chart is developed using the specified pressure setting of 10 in. water column instead of the 11.0 in water column used by the NFG and CANB149.1.

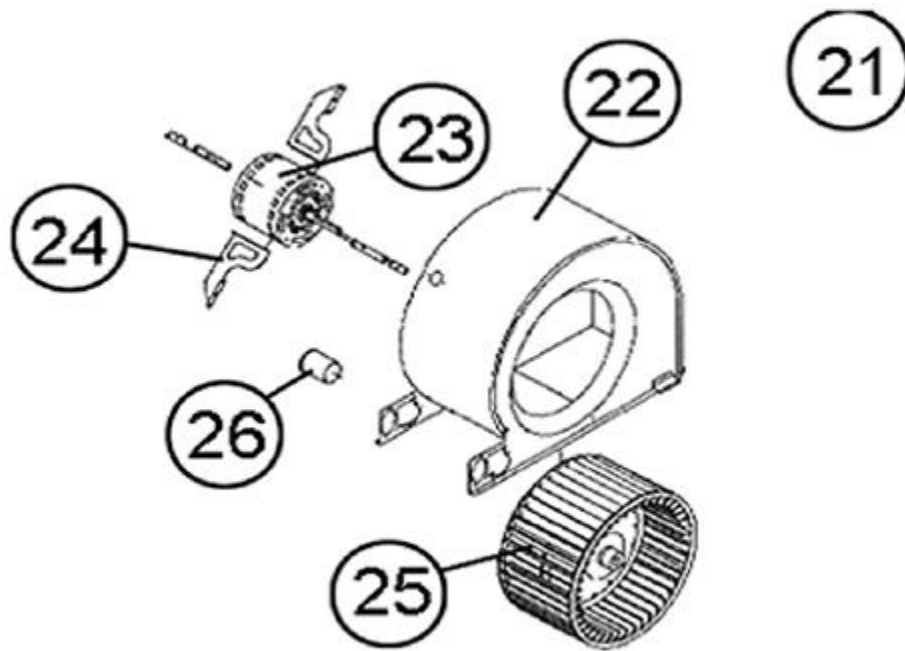
NOTE: Orifices supplied in the LP Conversion Kit are calculated and sized based on an altitude of 0 - 4000 ft.

Elevation (ft.)	Orifice							
0 - 2000	62-22175-54							
2001 - 3000	62-22175-54							
3001 - 4000	62-22175-54							
4001 - 5000	62-22175-54							
5001 - 6000	62-22175-54							
6001 - 7000	62-22175-54							
7001 - 8000	62-22175-55							
8001 - 9000	62-22175-55							
9001 - 10000	62-22175-55							

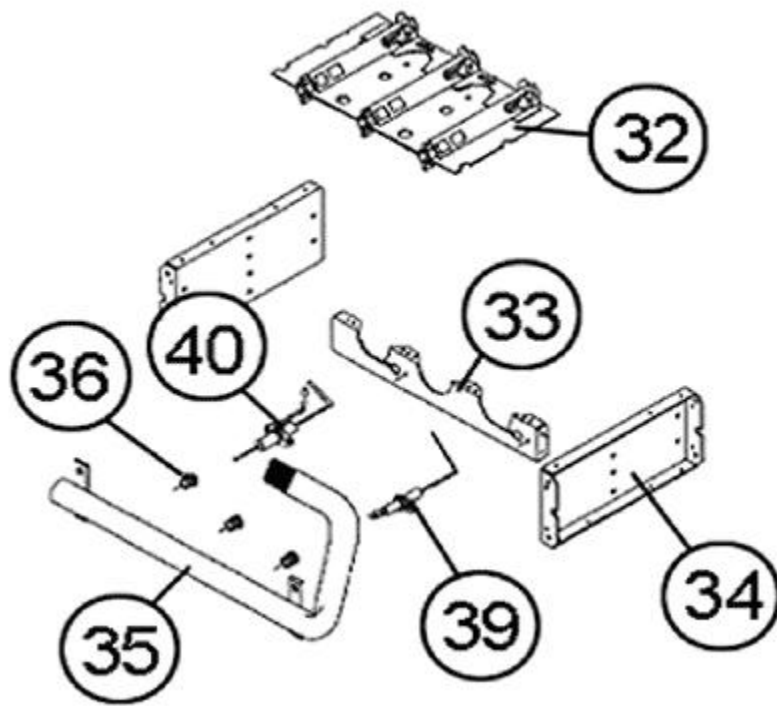




Exploded View



Blower Assembly



Burner Assembly

# NOTES

Stk It is recommended that stock be maintained for this part.

N/A Not Applicable

- 1 Order the specified LP Conversion Kit.
- 2 The specified replacement pressure switch may have a different pressure setting than that originally supplied.
- 3 Jacket is not available for replacement.
- 4 Order Gas Valve for Natural Gas along with LP Conversion Kit.

**DISCLAIMER:** This document is intended to provide general replacement parts information to aid qualified service personnel in the repair of these models. The complete Model and Serial Number of the unit under repair should be specified when selecting and ordering replacement parts. Specifications and illustrations are subject to change without notice. Document 92-42800-RGLQ supersedes all previous parts lists for these models. See <http://www.rheempartslists.net/92-42800-RGLQ> for the latest revision of this document. The manufacturer assumes no obligation for errors or omissions. Service personnel must verify the proper and safe operation of equipment after the replacement of any original components.