



RGLN

Parts List
12-August-2014



*This parts list is current as of the above revision date.
See <http://www.rheempartslists.net/92-42800-RGLN.pdf> for the current revision.*

80% Gas Furnaces

Table of Contents

Model Explanation	Page 3
Parts Numbers	
Panels - Miscellaneous (1)	Page 4
Panels - Miscellaneous (2)	Page 5
Electrical Group	Page 6
Blower Group	Page 7
Heat Exchanger-Burner Group	Page 8
Gas Controls	Page 8
Orifice Selection Chart	Page 9
Drawings/Photographs	
Exploded View	Page 10
Blower Assembly	Page 11
Burner Assembly	Page 12
NOX Insert Assembly	Page 13
Notes/Disclaimer	Page 14

MODEL NUMBER EXPLANATION

R	G	L	N	-	0	7	E	A	M	K	R
(1)	(2)	(3)	(4)			(5)		(6)	(7)	(8)	(9)

- | | |
|--|---|
| <p>(1) TRADEBRAND IDENTIFICATION</p> <p>(2) MODEL
G = Gas Furnace</p> <p>(3) TYPE
L = Downflow</p> <p>(4) DESIGN SERIES / VARIATION</p> <p>(5) HEATING INPUT DESIGNATION
07 = 75,000 BTU/HR
10 = 100,000 BTU/HR
12 = 120,000 BTU/HR</p> <p>E = Electric Ignition
N = Electric Ignition with NOX</p> | <p>(6) VARIATION
A = Standard Cabinet
B = Wide Cabinet</p> <p>(7) BLOWER DESIGNATION
M = 11 x 7
R = 11 x 10</p> <p>(8) AIRFLOW
K = 800-1200 CFM
Q = 1000-1600 CFM
M = 1200-2000 CFM</p> <p>(9) FUEL DESIGNATION
R = Natural Gas - U.S. and Canada</p> |
|--|---|

SERIAL NUMBER EXPLANATION (Units Produced before Nov. 2013)

G	R	5	D	7	0	7	F	1	5	0	6	9	9	9	9
(1)	(2)	(3)	(4)	(5)	(6)	(7)	(8)	(9)				(10)			

- | | |
|--|--|
| <p>(1) GAS CODE</p> <p>(2) LIMIT CONTROL</p> <p>(3) BLOWER</p> <p>(4) HEATING ELEMENT</p> <p>(5) SPECIAL AREA REQUIREMENT</p> | <p>(6) MOTOR HORSEPOWER</p> <p>(7) PLANT
F = Fort Smith, AR</p> <p>(8) WEEK</p> <p>(9) YEAR</p> <p>(10) PRODUCTION NUMBER</p> |
|--|--|

SERIAL NUMBER EXPLANATION (Units Produced after Nov. 2013)

F	0	8	1	3	9	9	9	9
(1)	(2)	(3)	(4)					

- (1) **PLANT CODE**
- (2) **WEEK (DATE CODE)**
- (3) **YEAR**
- (4) **PRODUCTION NUMBER**

Note: For Gas Code, see Control System Gas Code on Rating Plate

No.	Notes	MODEL HEATING CAPACITY CABINET VARIATION BLOWER DESIGNATION AIRFLOW	RGLN	RGLN	RGLN	RGLN
			05E/N A U E	07E/N A M E	07E/N A M G	10E/N A M E
PANELS, SHEET METAL PARTS						
1	3	Jacket (See Note 3)	N/A	N/A	N/A	N/A
2		Top Plate	AE-66981-01	AE-66981-02	AE-66981-02	AE-66981-02
3		Blower/Filter Door (Neutra Green)	AS-67893-01	AS-67894-01	AS-67894-01	AS-67894-01
3		Blower/Filter Door (Granite/Steel Gray)	AS-67893-13	AS-67894-13	AS-67894-13	AS-67894-13
4		Burner Compartment Door (Neutra Green)	AS-101733-01	AS-101734-01	AS-101734-01	AS-101734-01
4		Burner Compartment Door (Granite/Steel Gray)	AS-101733-11	AS-101734-11	AS-101734-11	AS-101734-11
		Plug Button - 1-3/16 in. opening (2)	45-22980-01	45-22980-01	45-22980-01	45-22980-01
5		Mounting Control Plate	AE-67877-01	AE-67877-01	AE-67877-01	AE-67877-01
6		Junction Box	AE-61475-02	AE-61475-02	AE-61475-02	AE-61475-02
7		Junction Box Cover	AE-61476-02	AE-61476-02	AE-61476-02	AE-61476-02
		Door Angle	AE-66980-01	AE-66980-02	AE-66980-02	AE-66980-02
9		Flue Pipe	AE-66691-14	AE-66691-14	AE-66691-14	AE-66691-14
10		Flue Pipe/Enclosure Assembly (Includes Flue Pipe Door)	AS-100608-01	AS-100608-01	AS-100608-01	AS-100608-01
11		Flue Pipe Enclosure Door	AE-66983-01	AE-66983-01	AE-66983-01	AE-66983-01
12		Rear Baffle	AE-66994-01	AE-66994-02	AE-66994-02	AE-66994-02
14		Pressure Switch	See Electrical Group			
15		Door Switch - Push Button	See Electrical Group			
16		Limit - Main Limit (Heat Exchanger Panel)	See Electrical Group			
17		Limit - Manual Reset (Burner Compartment)	See Electrical Group			
18		Limit - Heat Assisted (Blower Housing)	See Electrical Group			
19		Transformer	See Electrical Group			
20		Power Factor Choke	See Electrical Group			
21		Induced Draft Blower w/Gasket	See Electrical Group			
22		Blower Assembly	See Blower Group			
27		Heat Exchanger Assembly	See Heat Exchanger Group			
28		Heat Exchanger Bracket	See Heat Exchanger Group			
29		Filter - Permanent	54-22699-02 (1)	54-22699-02 (2)	54-22699-02 (2)	54-22699-02 (2)
30		Filter Support	AE-61711-01	AE-66681-01	AE-66681-01	AE-66681-01
37		NOX Burner Inserts	See Heat Exchanger Group			
38		NOX Insert Retainer	See Heat Exchanger Group			
39		Gas Valve	See Gas Controls			
40		Integrated Furnace Control Board (IFC)	See Gas Controls			
		Touch-up Paint - Platinum (Aerosol)	523012	523012	523012	523012
		Touch-up Paint - Platinum (Paint Pens)	523013	523013	523013	523013
		Touch-up Paint - Green (Aerosol)	52-18662-48	52-18662-48	52-18662-48	52-18662-48
		Touch-up Paint - Green (Paint Pens)	523010	523010	523010	523010
		Touch-up Paint - Granite/Steel Gray (Aerosol)	PD523018	PD523018	PD523018	PD523018
		Touch-up Paint - Granite/Steel Gray (Paint Pens)	PD523019	PD523019	PD523019	PD523019

No.	Notes	MODEL HEATING CAPACITY CABINET VARIATION BLOWER DESIGNATION AIRFLOW	RGLN	RGLN	RGLN
			10E/N B R J	12E/N A R J	15E/N A R J
PANELS, SHEET METAL PARTS					
1	3	Jacket (See Note 3)	N/A	N/A	N/A
2		Top Plate	AE-66981-03	AE-66981-04	AE-66981-04
3		Blower/Filter Door (Neutra Green)	AS-67895-01	AS-67896-01	AS-67896-01
3		Blower/Filter Door (Granite/Steel Gray)	AS-67895-13	AS-67896-13	AS-67896-13
4		Burner Compartment Door (Neutra Green)	AS-101735-01	AS-101736-01	AS-101736-01
4		Burner Compartment Door (Granite/Steel Gray)	AS-101735-11	AS-101736-11	AS-101736-11
		Plug Button - 1-3/16 in. opening (2)	45-22980-01	45-22980-01	45-22980-01
5		Mounting Control Plate	AE-67877-01	AE-67877-01	AE-67877-01
6		Junction Box	AE-61475-02	AE-61475-02	AE-61475-02
7		Junction Box Cover	AE-61476-02	AE-61476-02	AE-61476-02
		Door Angle	AE-66980-03	AE-66980-04	AE-66980-04
9		Flue Pipe	AE-66691-14	AE-66691-14	AE-66691-14
10		Flue Pipe/Enclosure Assembly (Includes Flue Pipe Door)	AS-100608-01	AS-100608-01	AS-100608-01
11		Flue Pipe Enclosure Door	AE-66983-01	AE-66983-01	AE-66983-01
12		Rear Baffle	AE-66994-03	AE-66994-04	AE-66994-04
14		Pressure Switch	See Electrical Group		
15		Door Switch - Push Button	See Electrical Group		
16		Limit - Main Limit (Heat Exchanger Panel)	See Electrical Group		
17		Limit - Manual Reset (Burner Compartment)	See Electrical Group		
18		Limit - Heat Assisted (Blower Housing)	See Electrical Group		
19		Transformer	See Electrical Group		
20		Power Factor Choke	See Electrical Group		
21		Induced Draft Blower w/Gasket	See Electrical Group		
22		Blower Assembly	See Blower Group		
27		Heat Exchanger Assembly	See Heat Exchanger Group		
28		Heat Exchanger Bracket	See Heat Exchanger Group		
29		Filter - Permanent (2)	54-22699-01	54-22699-02	54-22699-02
30		Filter Support	AE-66681-01	AE-66681-01	AE-66681-01
37		NOX Burner Inserts	See Heat Exchanger Group		
38		NOX Inset Retainer	See Heat Exchanger Group		
39		Gas Valve	See Gas Controls		
40		Integrated Furnace Control Board (IFC)	See Gas Controls		
		Touch-up Paint - Platinum (Aerosol)	523012	523012	523012
		Touch-up Paint - Platinum (Paint Pens)	523013	523013	523013
		Touch-up Paint - Green (Aerosol)	52-18662-48	52-18662-48	52-18662-48
		Touch-up Paint - Green (Paint Pens)	523010	523010	523010
		Touch-up Paint - Granite/Steel Gray (Aerosol)	PD523018	PD523018	PD523018
		Touch-up Paint - Granite/Steel Gray (Paint Pens)	PD523019	PD523019	PD523019

No.	Notes	MODEL HEATING CAPACITY CABINET VARIATION BLOWER DESIGNATION AIRFLOW	RGLN	RGLN	RGLN	RGLN
			05E/N A U E	07E/N A M E	07E/N A M G	10E/N A M E
ELECTRIC GROUP						
14	Stk,2	Pressure Switch - Before F0207	42-101233-01	42-101233-01	42-101233-01	42-101233-01
14	Stk,2	Pressure Switch - After F0207	42-101233-02	42-101233-02	42-101233-02	42-101233-02
15	Stk	Door Switch - Push Button	42-22692-01	42-22692-01	42-22692-01	42-22692-01
16	Stk	Limit - Main Limit (Heat Exchanger Panel)	47-25349-07	47-25349-08	47-25349-05	47-25349-05
17	Stk	Limit - Manual Reset (Burner Compartment)	47-22861-03	47-22861-03	47-22861-03	47-22861-03
18	Stk	Limit - Heat Assisted (Blower Housing)	47-22860-01	47-22860-01	47-22860-01	47-22860-03
19	Stk	Transformer w/Fuse	46-22863-04	46-22863-04	46-22863-04	46-22863-04
21	Stk	Induced Draft Blower w/Gasket	70-101087-01	70-101087-01	70-101087-01	70-101087-01
		Wiring Harness - 4 pin to 2 terminals	45-24371-18	45-24371-18	45-24371-18	45-24371-18
		Wiring Harness - 9 pin to 8 terminals	45-24371-11	45-24371-11	45-24371-11	45-24371-11
		Wiring Harness - 4 pin to 2 pin	45-24371-08	45-24371-08	45-24371-08	45-24371-08
		Wiring Harness - 9 pin to 9 pin	45-24371-03	45-24371-03	45-24371-03	45-24371-03

No.	Notes	MODEL HEATING CAPACITY CABINET VARIATION BLOWER DESIGNATION AIRFLOW	RGLN	RGLN	RGLN	
			10E/N B R J	12E/N A R J	15E/N A R J	
ELECTRIC GROUP						
14	Stk,2	Pressure Switch - Before F0207	42-101233-01	42-101233-01	42-101233-01	
14	Stk,2	Pressure Switch - After F0207	42-101233-02	42-101233-02	42-101233-02	
15	Stk	Door Switch - Push Button	42-22692-01	42-22692-01	42-22692-01	
16	Stk	Limit - Main Limit (Heat Exchanger Panel)	47-25349-07	47-25349-05	47-25349-05	
17	Stk	Limit - Manual Reset (Burner Compartment)	47-22861-03	47-22861-03	47-22861-03	
18	Stk	Limit - Heat Assisted (Blower Housing)	47-22860-01	47-22860-03	47-22860-04	
19	Stk	Transformer w/Fuse	46-22863-04	46-22863-04	46-22863-04	
21	Stk	Induced Draft Blower w/Gasket	70-101087-01	70-101087-01	70-101087-01	
		Wiring Harness - 4 pin to 2 terminals	45-24371-18	45-24371-18	45-24371-18	
		Wiring Harness - 9 pin to 8 terminals	45-24371-11	45-24371-11	45-24371-11	
		Wiring Harness - 4 pin to 2 pin	45-24371-08	45-24371-08	45-24371-08	
		Wiring Harness - 9 pin to 9 pin	45-24371-03	45-24371-03	45-24371-03	

No.	Notes	MODEL HEATING CAPACITY CABINET VARIATION BLOWER DESIGNATION AIRFLOW	RGLN 05E/N A U E	RGLN 07E/N A M E	RGLN 07E/N A M G	RGLN 10E/N A M E
BLOWER GROUP						
22	Stk	Blower Assembly (Includes items 23-26)	AS-61697-08	AS-61697-22	AS-61697-54	AS-61697-22
23		Housing	AS-61674-04	AS-61674-05	AS-61674-05	AS-61674-05
24	Stk	Blower Motor	51-22873-01	51-24070-02	51-25023-01	51-24070-02
24a	Stk	Capacitor - Blower Motor	43-100509-42	43-100509-42	43-100509-43	43-100509-42
25		Motor Mount Leg (4)	AE-61698-02	AE-61698-02	AE-61698-02	AE-61698-02
26	Stk	Blower Wheel	70-22683-01	70-22688-01	70-23111-05	70-22688-01

No.	Notes	MODEL HEATING CAPACITY CABINET VARIATION BLOWER DESIGNATION AIRFLOW	RGLN 10E/N B R J	RGLN 12E/N A R J	RGLN 15E/N A R J	
BLOWER GROUP						
22	Stk	Blower Assembly (Includes items 23-26)	AS-61697-31	AS-61697-31	AS-61697-31	
23		Housing	AS-61674-06	AS-61674-06	AS-61674-06	
24	Stk	Blower Motor	51-25023-01	51-25023-01	51-25023-01	
24a	Stk	Capacitor - Blower Motor	43-100509-43	43-100509-43	43-100509-43	
25		Motor Mount Leg (4)	AE-61698-02	AE-61698-02	AE-61698-02	
26	Stk	Blower Wheel	70-20602-01	70-20602-01	70-20602-01	

No.	Notes	MODEL HEATING CAPACITY CABINET VARIATION BLOWER DESIGNATION AIRFLOW	RGLN	RGLN	RGLN	RGLN
			05E/N A U E	07E/N A M E	07E/N A M G	10E/N A M E
HEAT EXCHANGER, BURNER / MANIFOLD						
27	Stk	Heat Exchanger Assembly	AS-66997-11	AS-100561-01	AS-100561-01	AS-66997-07
28		Heat Exchanger Bracket (2)	AE-67846-02	AE-67846-02	AE-67846-02	AE-67846-02
32	Stk	Burner Assembly	AS-60993-02	AS-60993-03	AS-60993-03	AS-60993-04
33		Burner Support	AE-60997-01	AE-60997-02	AE-60997-02	AE-60997-03
34		Burner Support Bracket (2)	AE-61588-02	AE-61588-02	AE-61588-02	AE-61588-02
35	Stk	Manifold (w/o Orifices)	81-102427-01	81-102427-02	81-102427-02	81-102427-03
36		Burner Orifice - Natural Gas	See Orifice Selection Chart			
36		Burner Orifice - LP	See Orifice Selection Chart			
36		Number of Orifices	(2)	(3)	(3)	(4)
37		NOX Burner Inserts	AS-67875-01 (1)	AS-67875-01 (2)	AS-67875-01 (2)	AS-67875-01 (3)
38		NOX Insert Retainer	AE-67872-01	AE-67872-02	AE-67872-02	AE-67872-03

No.	Notes	MODEL HEATING CAPACITY CABINET VARIATION BLOWER DESIGNATION AIRFLOW	RGLN	RGLN	RGLN	
			10E/N B R J	12E/N A R J	15E/N A R J	
HEAT EXCHANGER, BURNER / MANIFOLD						
27	Stk	Heat Exchanger Assembly	AS-66997-04	AS-66997-05	AS-66997-06	
28		Heat Exchanger Bracket (2)	AE-67846-02	AE-67846-02	AE-67846-02	
32	Stk	Burner Assembly	AS-60993-04	AS-60993-05	AS-60993-06	
33		Burner Support	AE-60997-03	AE-60997-04	AE-60997-05	
34		Burner Support Bracket (2)	AE-61588-02	AE-61588-02	AE-61588-02	
35	Stk	Manifold (w/o Orifices)	81-102427-03	81-102427-04	81-102427-05	
36		Burner Orifice - Natural Gas	See Orifice Selection Chart			
36		Burner Orifice - LP	See Orifice Selection Chart			
36		Number of Orifices	(4)	(5)	(6)	
37		NOX Burner Inserts	AS-67875-01 (3)	AS-67875-01 (4)	AS-67875-01 (5)	
38		NOX Insert Retainer	AE-67872-03	AE-67872-04	AE-67872-05	

No.	Notes	MODEL GAS CODE	RGLN	RGLN		
			FT	FU		
GAS CONTROLS						
39	Stk	Gas Valve - Natural Gas	60-24180-01	60-100394-02		
39	Stk,1	Gas Valve - LP	See Note 1	See Note 1		
40	Stk	Integrated Furnace Control Board (IFC)	62-24140-04	62-24140-04		
42	Stk	Flame Sensor	62-23543-01	62-23543-01		
43	Stk	Direct Spark Ignitor	62-24164-01	62-24164-01		
		Direct Spark Ignitor Bracket	AE-61885-02	AE-61885-02		
		LP Conversion Kit:				
	Stk	U.S. Models	FP-15	FP-15		
	Stk	Canadian Models	FP-04	FP-04		

80% GAS FURNACE - ORIFICE SELECTION CHART - NATURAL GAS

CAUTION: Selection of the correct Natural Gas Orifice requires the following information for the specific installation:

- 1) Altitude in of the installation (ft.).
- 2) Average energy content of the Natural Gas fuel from the local supplier (BTU/cu. ft.).

For detailed information and instructions for Orifice selection, see the Gas Furnace LP Conversion Kit Index 92-21519-59 and the latest edition of the National Fuel Gas Code Handbook, or the National Standard of Canada, Natural Gas and Propane Installation Code, CAN B149.1.

CAUTION: This information is provided for replacement purposes only. Conversion for operation at High Altitude must be done using the kit specified on the product specification sheet for the unit.

NOTE: This Orifice sizing chart is based on 25,000 BTU/HR per burner.

NOTE: Factory installed orifices are calculated and sized based on a Natural Gas heating value of 1075 BTU/cu. ft. and an elevation of 0 - 3000 ft.

Energy Value (BTU/cu. ft.)	Elevation (ft.)							
	0 - 1999	2000 - 2999	3000 - 3999	4000 - 4999	5000 - 5999	6000 - 6999	7000 - 7999	8000 - 8999
850	62-22175-38	62-22175-39	62-22175-40	62-22175-41	62-22175-41	62-22175-42	62-22175-42	62-22175-43
900	62-22175-40	62-22175-41	62-22175-42	62-22175-42	62-22175-42	62-22175-43	62-22175-43	62-22175-44
975	62-22175-41	62-22175-42	62-22175-42	62-22175-42	62-22175-43	62-22175-43	62-22175-44	62-22175-44
1075	62-22175-42	62-22175-42	62-22175-43	62-22175-43	62-22175-43	62-22175-44	62-22175-44	62-22175-45
1170	62-22175-43	62-22175-44	62-22175-44	62-22175-44	62-22175-45	62-22175-45	62-22175-46	62-22175-47

80% GAS FURNACE - ORIFICE SELECTION CHART - LP

CAUTION: Selection of the correct LP Orifice requires the altitude of the specific installation (ft.).

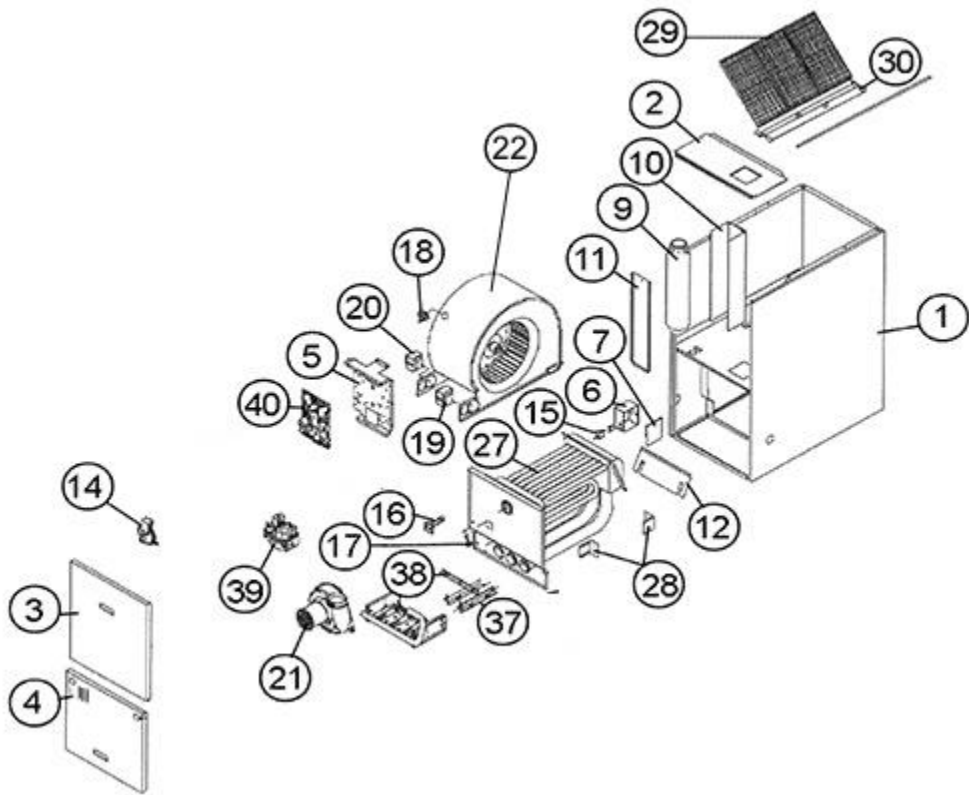
For detailed information and instructions for Orifice selection, see the Gas Furnace LP Conversion Kit Index 92-21519-59 and the latest edition of the National Fuel Gas Code Handbook (NFG), or the National Standard of Canada, Natural Gas and Propane Installation Code, CAN B149.1.

CAUTION: This information is provided for replacement purposes only. Conversion to LP or for operation at High Altitude should be done using the kit(s) specified on the product specification sheet for the unit.

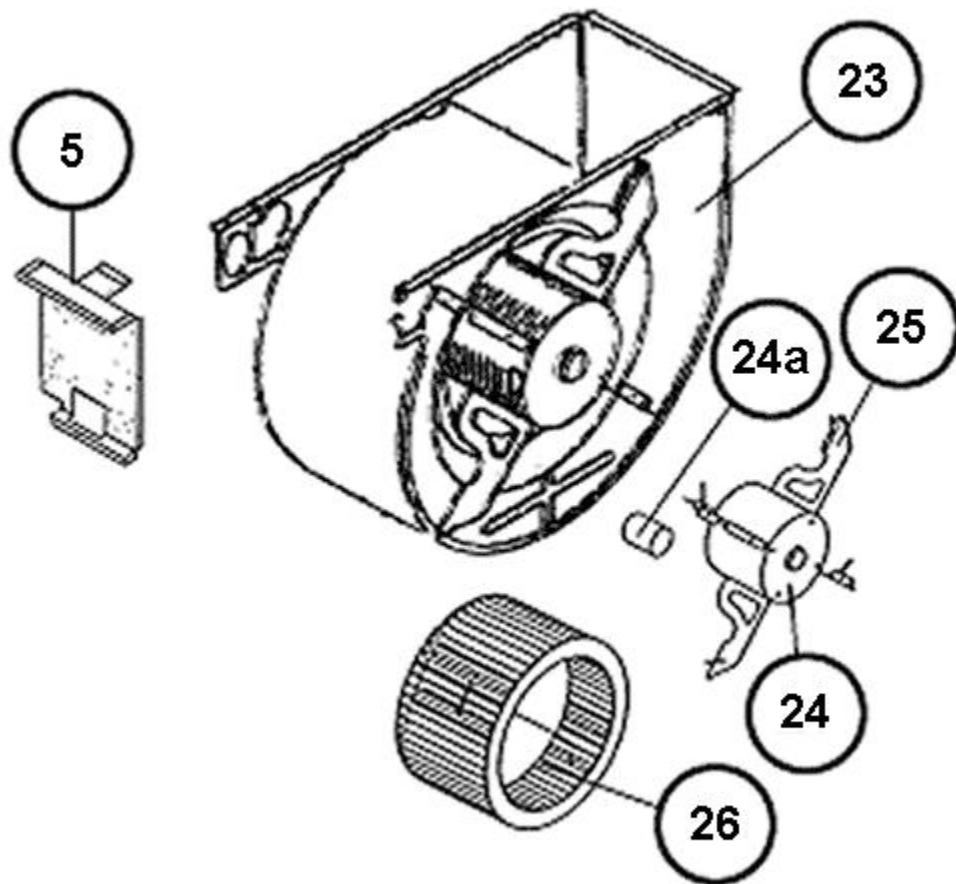
NOTE: This Orifice sizing chart is based on 25,000 BTU/HR per burner. Also, the chart is developed using the specified pressure setting of 10 in. water column instead of the 11.0 in water column used by the NFG and CANB149.1.

NOTE: Orifices supplied in the LP Conversion Kit are calculated and sized based on an altitude of 0 - 4000 ft.

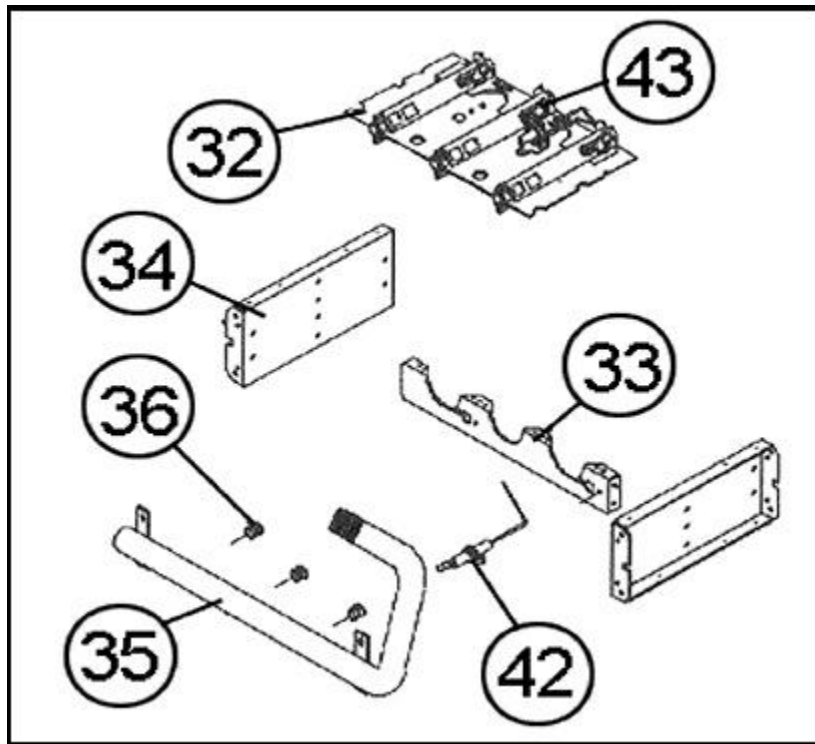
Elevation (ft.)	Orifice							
0 - 2000	62-22175-54							
2001 - 3000	62-22175-54							
3001 - 4000	62-22175-54							
4001 - 5000	62-22175-54							
5001 - 6000	62-22175-54							
6001 - 7000	62-22175-54							
7001 - 8000	62-22175-55							
8001 - 9000	62-22175-55							
9001 - 10000	62-22175-55							



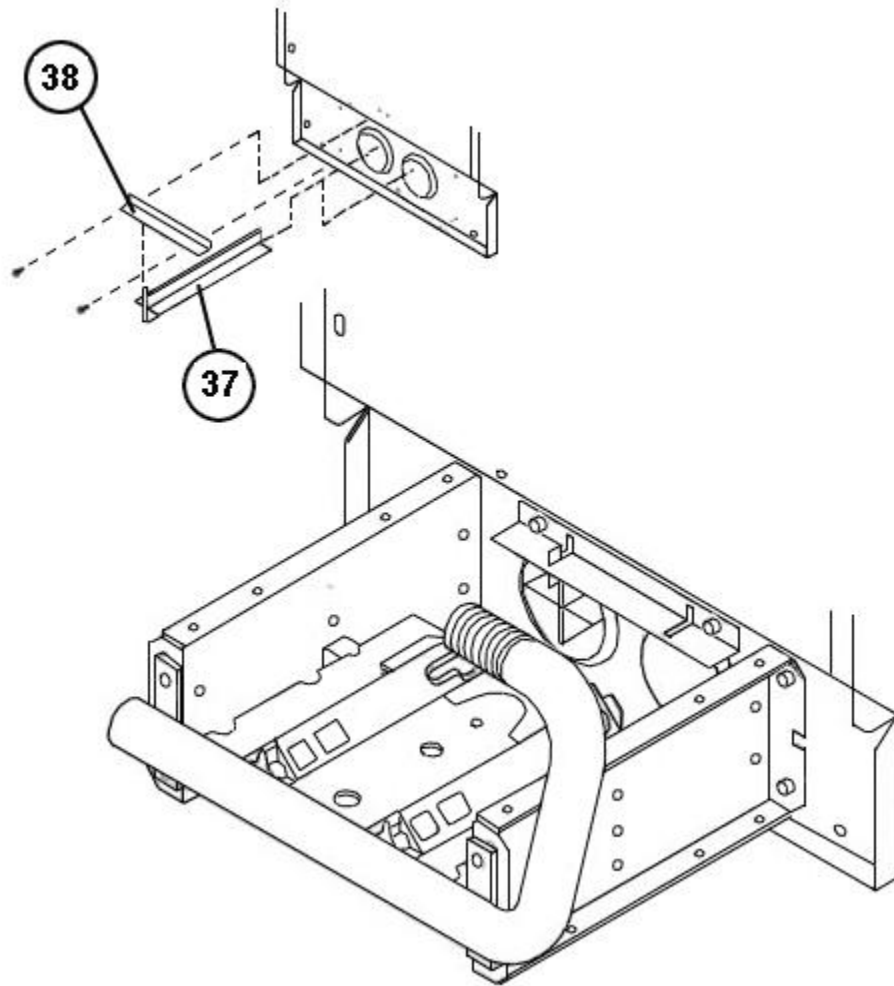
Exploded View



Blower Assembly



Burner Assembly



NOX Insert Assembly

NOTES

Stk It is recommended that stock be maintained for this part.

N/A Not Applicable

- 1 Order Gas Valve for Natural Gas along with LP Conversion Kit.
- 2 The specified replacement pressure switch may have a different pressure setting than that originally supplied.
- 3 Jacket is not available for replacement.

DISCLAIMER: This document is intended to provide general replacement parts information to aid qualified service personnel in the repair of these models. The complete Model and Serial Number of the unit under repair should be specified when selecting and ordering replacement parts. Specifications and illustrations are subject to change without notice. Document 92-42800-RGLN supersedes all previous parts lists for these models. See <http://www.rheempartslists.net/92-42800-RGLN> for the latest revision of this document. The manufacturer assumes no obligation for errors or omissions. Service personnel must verify the proper and safe operation of equipment after the replacement of any original components.