



# RGJF

Parts List  
07-December-2013



*This parts list is current as of the above revision date.  
See <http://www.rheempartslists.net/92-42800-RGJF.pdf> for the current revision.*

**90% Gas Furnaces - Modulating**

# Table of Contents

Model Explanation .....	Page 3
<b>Parts Numbers</b>	
Panels - Miscellaneous .....	Page 4
Electrical Group .....	Page 5
Blower Group.....	Page 5
Heat Exchanger-Burner Group.....	Page 5
Gas Controls .....	Page 6
Orifice Selection Chart.....	Page 7
<b>Drawings/Photographs</b>	
Exploded View .....	Page 8
Blower Assembly .....	Page 9
Burner Assembly .....	Page 10
Burner Assembly Supports .....	Page 10
Base Pan Gasket.....	Page 11
Notes/Disclaimer .....	Page 12

**MODEL NUMBER EXPLANATION**

<b>R</b>	<b>G</b>	<b>J</b>	<b>F</b>	<b>-</b>	<b>0</b>	<b>6</b>	<b>E</b>	<b>M</b>	<b>C</b>	<b>K</b>	<b>S</b>	<b>2</b>	<b>7</b>	<b>8</b>
(1)	(2)	(3)	(4)			(5)		(6)	(7)	(8)	(9)		(10)	

- |   |  |
|---|--|
| <p><b>(1) TRADE BRAND IDENTIFICATION</b></p> <p><b>(2) MODEL</b><br/>G = Gas Furnace</p> <p><b>(3) TYPE</b><br/>J = Horizontal</p> <p><b>(4) DESIGN SERIES</b><br/>F = Solenoid Modulating Valve, Communicating</p> <p><b>(5) HEATING INPUT DESIGNATION</b><br/>06 = 60,000 BTU/HR<br/>07 = 75,000 BTU/HR<br/>09 = 90,000 BTU/HR<br/>10 = 105,000 BTU/HR<br/>12 = 125,000 BTU/HR</p> <p>E = Electric<br/>N = Electric w/NOX</p> | <p><b>(6) BLOWER DESIGNATION</b><br/>M = 11 x 7<br/>R = 11 x 10<br/>Z = 12 x 11</p> <p><b>(7) VARIATIONS</b><br/>C = Single/Multi Zone</p> <p><b>(8) AIRFLOW</b><br/>K = 600-1200 CFM<br/>M = 1200-2000 CFM</p> <p><b>(9) FUEL DESIGNATION</b><br/>S = Natural Gas</p> <p><b>(10) OPTION CODES</b></p> |
|---|--|

**SERIAL NUMBER EXPLANATION (Units Produced before Nov. 2013)**

<b>H</b>	<b>H</b>	<b>3</b>	<b>D</b>	<b>3</b>	<b>0</b>	<b>2</b>	<b>F</b>	<b>4</b>	<b>8</b>	<b>0</b>	<b>9</b>	<b>9</b>	<b>9</b>	<b>9</b>	<b>9</b>
(1)		(2)	(3)	(4)	(5)	(6)	(7)		(8)		(9)			(10)	

- |  |  |
|--|--|
| <p><b>(1) GAS CODE</b></p> <p><b>(2) LIMIT CONTROL</b></p> <p><b>(3) BLOWER</b></p> <p><b>(4) HEATING ELEMENT</b></p> <p><b>(5) SPECIAL AREA REQUIREMENT</b></p> | <p><b>(6) MOTOR HORSEPOWER</b></p> <p><b>(7) PLANT</b><br/>F = Fort Smith, AR</p> <p><b>(8) WEEK</b></p> <p><b>(9) YEAR</b></p> <p><b>(10) PRODUCTION NUMBER</b></p> |
|--|--|

**SERIAL NUMBER EXPLANATION (Units Produced after Nov. 2013)**

<b>F</b>	<b>0</b>	<b>8</b>	<b>1</b>	<b>3</b>	<b>9</b>	<b>9</b>	<b>9</b>	<b>9</b>
(1)		(2)		(3)			(4)	

- (1) PLANT CODE**
- (2) WEEK (DATE CODE)**
- (3) YEAR**
- (4) PRODUCTION NUMBER**

**Note: For Gas Code, see Control System Gas Code on Rating Plate**

No.	Notes	MODEL HEATING CAPACITY BLOWER DESIGNATION VARIATIONS AIRFLOW FUEL DESIGNATION	RGJF	RGJF	RGJF	RGJF	RGJF
			06E/06N M C K S	07E/07N M C K S	09E/09N Z C M S	10E/10N Z C M S	12E/12N R C M S
<b>PANELS, SHEET METAL, AND MISCELLANEOUS</b>							
1		Gas Valve	See Gas Controls				
3		Pressure Switch Assembly	See Electrical Group				
5		Blower Assembly	See Blower Group				
7		Blower Motor - Communicating ECM	See Electrical Group				
9		Junction Box	AE-67825-01	AE-67825-01	AE-67825-01	AE-67825-01	AE-67825-01
10		Inlet Air Chase Assembly	AS-67848-01	AS-67848-01	AS-67848-01	AS-67848-01	AS-67848-01
11		Limit - Heat Assisted (Blower Housing)	See Electrical Group				
12		Top Plate (Platinum)	AE-67805-02	AE-67805-02	AE-67805-03	AE-67805-03	AE-67805-04
12		Top Plate (Granite/Steel Gray)	AE-67805-11	AE-67805-11	AE-67805-12	AE-67805-12	AE-67805-13
		Gasket - Top Plate	68-102279-01	68-102279-01	68-102279-02	68-102279-02	68-102279-03
A		Gasket - Base Pan	AE-61871-01	AE-61871-01	AE-61871-02	AE-61871-02	AE-61871-03
		Thermistor - Duct Mounted	See Electrical Group				
13		Thermistor - Return Air Sensor	See Electrical Group				
		Blower/Filter Door (Neutra Green)	AS-61908-03	AS-61908-03	AS-61909-03	AS-61909-03	AS-61910-03
		Blower/Filter Door (Granite/Steel Gray)	AS-61908-04	AS-61908-04	AS-61909-04	AS-61909-04	AS-61910-04
		Burner Compartment Door (Neutra Green)	AS-61905-01	AS-61905-01	AS-61906-01	AS-61906-01	AS-61907-01
		Burner Compartment Door (Granite/Steel Gray)	AS-61905-03	AS-61905-03	AS-61906-02	AS-61906-02	AS-61907-02
		Thumbscrew and Insert Kit	64-24081-81	64-24081-81	64-24081-81	64-24081-81	64-24081-81
		Plug Button	45-22980-08	45-22980-08	45-22980-08	45-22980-08	45-22980-08
		Inlet Air Gasket	68-24022-01	68-24022-01	68-24022-01	68-24022-02	68-24022-01
15		Pipe Assembly - Outlet Air	68-24150-01	68-24150-01	68-24150-01	68-24150-01	68-24150-02
16		Integrated Furnace Control Board (IFC)	See Gas Controls				
		Control Mounting Plate	AE-67877-01	AE-67877-01	AE-67877-01	AE-67877-01	AE-67877-01
		Outlet Air Gasket	68-24022-02	68-24022-02	68-24022-02	68-24022-02	68-24022-02
20		Connector/Transition Assembly	68-24047-10	68-24047-10	68-24047-11	68-24047-11	68-24047-12
22		Condensate Trap Assembly	See Parts Bag Group				
		Elbow - Plastic	See Parts Bag Group				
		Junction Box Cover	AE-61476-02	AE-61476-02	AE-61476-02	AE-61476-02	AE-61476-02
		Filter - Permanent Plastic (2)	54-22699-01	54-22699-01	54-22699-01	54-22699-01	54-22699-02
		Filter Rack	AE-66681-01	AE-66681-01	AE-66681-01	AE-66681-01	AE-66681-01
		Touch-up Paint - Platinum (Aerosol)	523012	523012	523012	523012	523012
		Touch-up Paint - Platinum (Paint Pens)	523013	523013	523013	523013	523013
		Touch-up Paint - Green (Aerosol)	52-18662-48	52-18662-48	52-18662-48	52-18662-48	52-18662-48
		Touch-up Paint - Green (Paint Pens)	523010	523010	523010	523010	523010
		Touch-up Paint - Granite/Steel Gray (Aerosol)	PD523018	PD523018	PD523018	PD523018	PD523018
		Touch-up Paint - Granite/Steel Gray (Paint Pens)	PD523019	PD523019	PD523019	PD523019	PD523019
		Tether - Memory Card	See Electrical Group				

No.	Notes	MODEL HEATING CAPACITY BLOWER DESIGNATION VARIATIONS AIRFLOW FUEL DESIGNATION	RGJF				
			All All All All All				
<b>PARTS BAG</b>							
		Complete Parts Bag:	AS-100717-04				
		Hose Clamp (4)	64-22043-01				
		1/2 in. TEE	68-21980-02				
		1/2 in. PVC Pipe (4 in.)	68-22024-04				
		PVC Vane	68-23473-01				
		PVC Wind Vane - 2-1/2 in.	68-24049-01				
22		Condensate Trap Assembly	68-24120-02				
		Elbow - Plastic	68-24121-01				
		Drain Elbow	79-102882-01				
		Gasket - Trap Assembly	68-24123-01				

No.	Notes	MODEL HEATING CAPACITY BLOWER DESIGNATION VARIATIONS AIRFLOW FUEL DESIGNATION	RGJF	RGJF	RGJF	RGJF	RGJF
			06E/06N	07E/07N	09E/09N	10E/10N	12E/12N
			M	M	Z	Z	R
			C	C	C	C	C
			K	K	M	M	M
			S	S	S	S	S
<b>ELECTRIC GROUP</b>							
3	Stk	Pressure Switch Assembly - Dual	42-102320-01	42-102320-01	42-102320-03	42-102320-02	42-102320-04
3	Stk	Pressure Switch Assembly - Dual (278 Option)	N/A	42-102320-12	42-102320-13	42-102320-14	42-102320-15
6		Power Factor Choke	N/A	N/A	46-24256-02	46-24256-02	46-24256-02
6	3	Power Factor Choke - Before F1712 (See Note 3)	46-24256-02	46-24256-02	N/A	N/A	N/A
	3	Jumper Wire Assembly - After F1712 (See Note 3)	45-104318-01	45-104318-01	N/A	N/A	N/A
8		Door Switch - Push Button	42-22692-07	42-22692-07	42-22692-07	42-22692-07	42-22692-07
11	Stk	Limit - Heat Assisted (Blower Housing)	47-22860-05	47-22860-01	47-22860-05	47-22860-05	47-22860-01
	Stk	Limit - Main Limit (Heat Exchanger Panel)	47-25350-02	47-25350-01	47-25350-10	47-25350-10	47-25350-11
17	Stk	Transformer	46-102856-01	46-102856-01	46-102856-01	46-102856-01	46-102856-01
19	Stk	Induced Draft Blower w/Gasket	70-24206-01	70-24206-01	70-24206-01	70-24206-01	70-24206-02
24	Stk	Limit - Manual Reset (Burner Compartment) (2)	47-22861-02	47-22861-02	47-22861-02	47-22861-02	47-22861-02
	Stk	Thermistor - Duct Mounted	47-24225-01	47-24225-01	47-24225-01	47-24225-01	47-24225-01
		Push Mount Tie (for Memory Card Wire Tie)	64-102873-01	64-102873-01	64-102873-01	64-102873-01	64-102873-01
		Memory Card - Before F2510	47-102738-20	47-102738-21	47-102738-22	47-102738-23	47-102738-24
		Memory Card - After F2510	47-103687-20	47-103687-21	47-103687-22	47-103687-23	47-103687-24
		Wiring Harness - 3 pin to one strip back, one eye and one JST	45-24371-53	45-24371-53	45-24371-53	45-24371-53	45-24371-53
		Wiring Harness - 16 pin to 15 pin and 4 pin (IFC to Twist-Lock)	45-24371-55	45-24371-55	45-24371-55	45-24371-55	45-24371-55
		Wiring Harness - 5 pin to 3 pin and 2 pin connectors (Power to IFC, Motor and Power Factor Correction Choke)	45-103019-01	45-103019-01	45-103019-01	45-103019-01	45-103019-01
		Wiring Harness - 4 pin to 4 pin for Motor Communications (IFC to Motor)	45-102785-01	45-102785-01	45-102785-01	45-102785-01	45-102785-01
		Wiring Harness - 16 pin to 3 pin and 2 pin connectors (Twist-Lock Wiring to Burner Compartment)	45-102786-02	45-102786-02	45-102786-02	45-102786-02	45-102786-02
	2	Wire Assembly - 1/4 in. Quick Connect to 1/4 in. Quick Connect - 14 in. red (MRLC to MRLC)	45-103025-01	45-103025-01	45-103025-01	45-103025-01	45-103025-01

No.	Notes	MODEL HEATING CAPACITY BLOWER DESIGNATION VARIATIONS AIRFLOW FUEL DESIGNATION	RGJF	RGJF	RGJF	RGJF	RGJF
			06E/06N	07E/07N	09E/09N	10E/10N	12E/12N
			M	M	Z	Z	R
			C	C	C	C	C
			K	K	M	M	M
			S	S	S	S	S
<b>BLOWER GROUP</b>							
5	Stk	Blower Assembly (Includes items 7,13,28-30)	AS-67876-36	AS-67876-36	AS-67876-37	AS-67876-37	AS-67876-38
7	Stk,4	Blower Motor - Communicating ECM (See Note 4)	51-102602-01	51-102602-01	51-102605-01	51-102605-01	51-102605-01
	Stk,4	ECM Motor Module - Genteq ECM 3.0 (See Note 4)	51-103226-01	51-103226-01	51-103223-01	51-103223-01	51-103223-01
	Stk,4	ECM Motor Module - U.S. Motors PerfectSpeed (See Note 4)	51-104362-03	51-104362-03	51-104362-01	51-104362-01	51-104362-01
		Motor Mount Kit (Grommets, Screws, Nuts, Belly Band, Brackets)	70-24104-82	70-24104-82	70-24104-82	70-24104-82	70-24104-82
		Motor Mount (Belly Band)	70-24104-02	70-24104-02	70-24104-02	70-24104-02	70-24104-02
11		Limit - Heat Assisted (Blower Housing)	See Electrical Group				
28		Housing	AS-61674-13	AS-61674-13	AS-61674-23	AS-61674-23	AS-61674-12
29		Motor Mount Bracket (4)	AE-61956-01	AE-61956-01	AE-61956-01	AE-61956-01	AE-61956-01
30	Stk	Blower Wheel	70-24254-02	70-24254-02	70-24179-01	70-24179-01	70-23111-20

No.	Notes	MODEL HEATING CAPACITY BLOWER DESIGNATION VARIATIONS AIRFLOW FUEL DESIGNATION	RGJF	RGJF	RGJF	RGJF	RGJF
			06E/06N	07E/07N	09E/09N	10E/10N	12E/12N
			M	M	Z	Z	R
			C	C	C	C	C
			K	K	M	M	M
			S	S	S	S	S
<b>HEAT EXCHANGER, BURNER / MANIFOLD</b>							
	Stk	Heat Exchanger Assembly	AS-67818-23	AS-67818-24	AS-67818-25	AS-67818-27	AS-67818-28
		Heat Exchanger Bracket	AE-61959-01	AE-61959-01	AE-61959-01	AE-61959-01	AE-61959-01
		Heat Exchanger Bracket	AE-67846-02	AE-67846-02	AE-67846-02	AE-67846-02	AE-67846-02
		NOX Burner Inserts	AE-67863-01 (3)	AE-67863-01 (4)	AE-67863-01 (5)	AE-67863-01 (6)	AE-67863-01 (7)
		NOX Retaining Bracket	AE-67864-01	AE-67864-02	AE-67864-03	AE-67864-04	AE-67864-05
32	Stk	Burner Assembly	AS-61984-04	AS-61984-05	AS-61984-06	AS-61984-07	AS-61984-08
35		Burner Support	AE-61809-17	AE-61809-18	AE-61809-19	AE-61809-20	AE-61809-21
31		Burner Support Bracket (2)	AE-61808-03	AE-61808-03	AE-61808-03	AE-61808-03	AE-61808-03
36		Burner Support Angle	AE-67880-01	AE-67880-02	AE-67880-03	AE-67880-04	AE-67880-05
33	Stk	Manifold (w/o Orifices)	81-101812-01	81-101812-02	81-101812-03	81-101812-04	81-101812-05
34		Burner Shield	AE-61807-07	AE-61807-08	AE-61807-09	AE-61807-10	AE-61807-11
		Burner Orifice - Natural Gas	See Orifice Selection Chart				
		Burner Orifice - LP	See Orifice Selection Chart				
		Number of Orifices	(4)	(5)	(6)	(7)	(8)

No.	Notes	MODEL GAS CODE	RGJF HH
<b>GAS CONTROLS</b>			
1	Stk	Gas Valve - Natural Gas	60-24215-03
1	Stk,1	Gas Valve - LP	See Note 1
16	Stk	Integrated Furnace Control Board (IFC)	62-102783-01
26	Stk	Flame Sensor	62-23543-05
23	Stk	Spark Ignitor	62-24271-02
		LP Conversion Kit - US/Canada	FP-27MX

**90% GAS FURNACE - ORIFICE SELECTION CHART - NATURAL GAS**

**CAUTION:** Selection of the correct Natural Gas Orifice requires the following information for the specific installation:

- 1) Altitude in of the installation (ft.).
- 2) Average energy content of the Natural Gas fuel from the local supplier (BTU/cu. ft.).

For detailed information and instructions for Orifice selection, see the Gas Furnace LP Conversion Kit Index 92-21519-59 and the latest edition of the National Fuel Gas Code Handbook, or the National Standard of Canada, Natural Gas and Propane Installation Code, CAN B149.1.

**CAUTION:** This information is provided for replacement purposes only. Conversion for operation at High Altitude must be done using the kit specified on the product specification sheet for the unit.

NOTE: This Orifice sizing chart is based on 15,000 BTU/HR per burner.

NOTE: Factory installed orifices are calculated and sized based on a Natural Gas heating value of 1075 BTU/cu. ft. and an elevation of 0 - 2000 ft.

Energy Value (BTU/cu. ft.)	Elevation (ft.)							
	0 - 1999	2000 - 2999	3000 - 3999	4000 - 4999	5000 - 5999	6000 - 6999	7000 - 7999	8000 - 8999
<b>850</b>	62-22175-47	62-22175-48	62-22175-48	62-22175-49	62-22175-49	62-22175-49	62-22175-50	62-22175-50
<b>900</b>	62-22175-48	62-22175-49	62-22175-49	62-22175-49	62-22175-50	62-22175-50	62-22175-50	62-22175-51
<b>975</b>	62-22175-49	62-22175-50	62-22175-50	62-22175-50	62-22175-51	62-22175-51	62-22175-51	62-22175-52
<b>1075</b>	62-22175-50	62-22175-51	62-22175-51	62-22175-51	62-22175-51	62-22175-52	62-22175-52	62-22175-52
<b>1170</b>	62-22175-51	62-22175-51	62-22175-52	62-22175-52	62-22175-52	62-22175-53	62-22175-53	62-22175-53

**90% GAS FURNACE - ORIFICE SELECTION CHART - LP**

**CAUTION:** Selection of the correct LP Orifice requires the altitude of the specific installation (ft.).

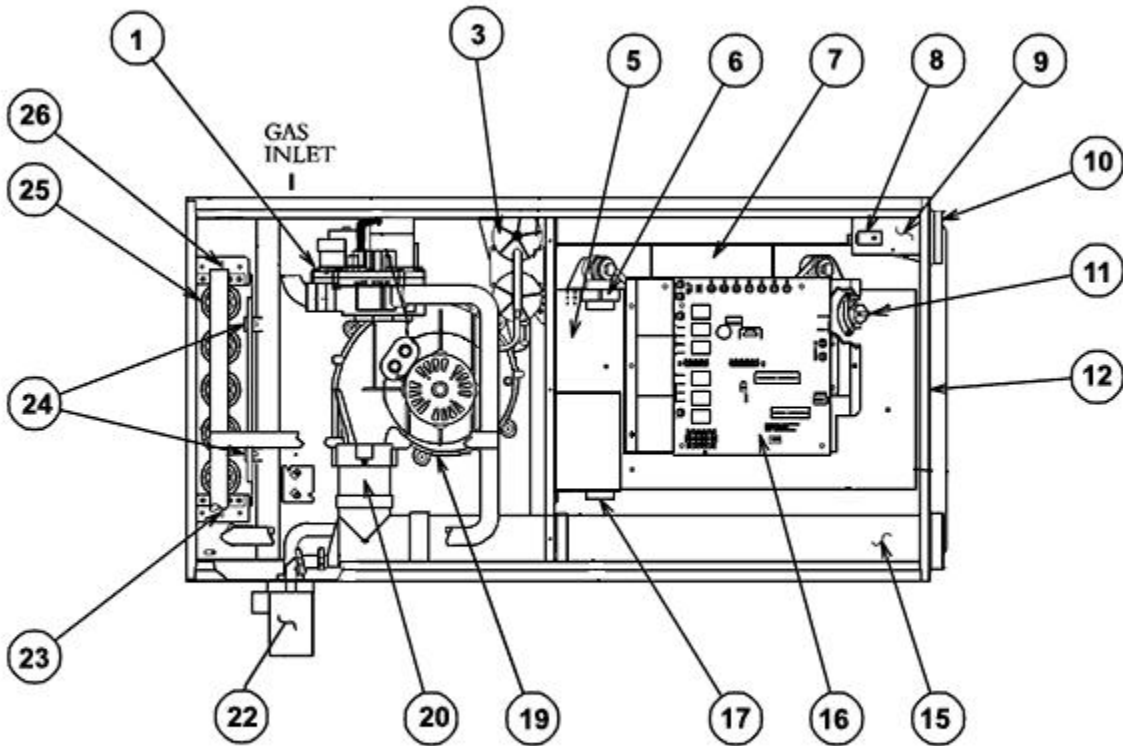
For detailed information and instructions for Orifice selection, see the Gas Furnace LP Conversion Kit Index 92-21519-59 and the latest edition of the National Fuel Gas Code Handbook (NFG), or the National Standard of Canada, Natural Gas and Propane Installation Code, CAN B149.1.

**CAUTION:** This information is provided for replacement purposes only. Conversion to LP or for operation at High Altitude should be done using the kit(s) specified on the product specification sheet for the unit.

NOTE: This Orifice sizing chart is based on 15,000 BTU/HR per burner. Also, the chart is developed using the specified pressure setting of 10 in. water column instead of the 11.0 in water column used by the NFG and CANB149.1.

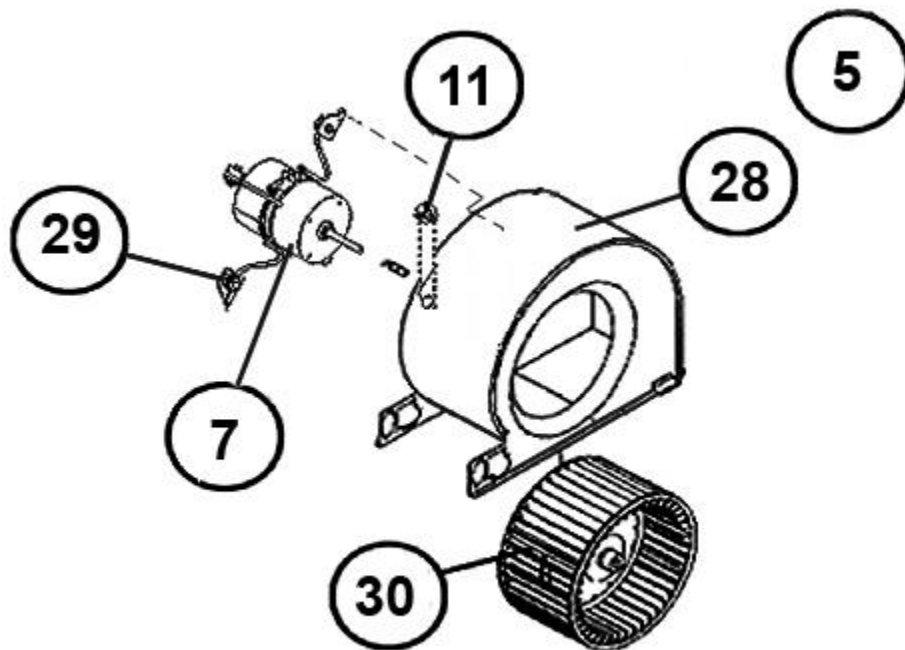
NOTE: Orifices supplied in the LP Conversion Kit are calculated and sized based on an altitude of 0 - 2000 ft.

Elevation (ft.)	Orifice							
0 to 2000 ft.	62-22175-91							
2001 to 3000	62-22175-91							
3001 to 4000	62-22175-90							
4001 to 5000	62-22175-58							
5001 to 6000	62-22175-59							
6001 to 7000	62-22175-60							
7001 to 8000	62-22175-62							
8001 to 9000	62-22175-63							
9001 to 1000	62-22175-64							

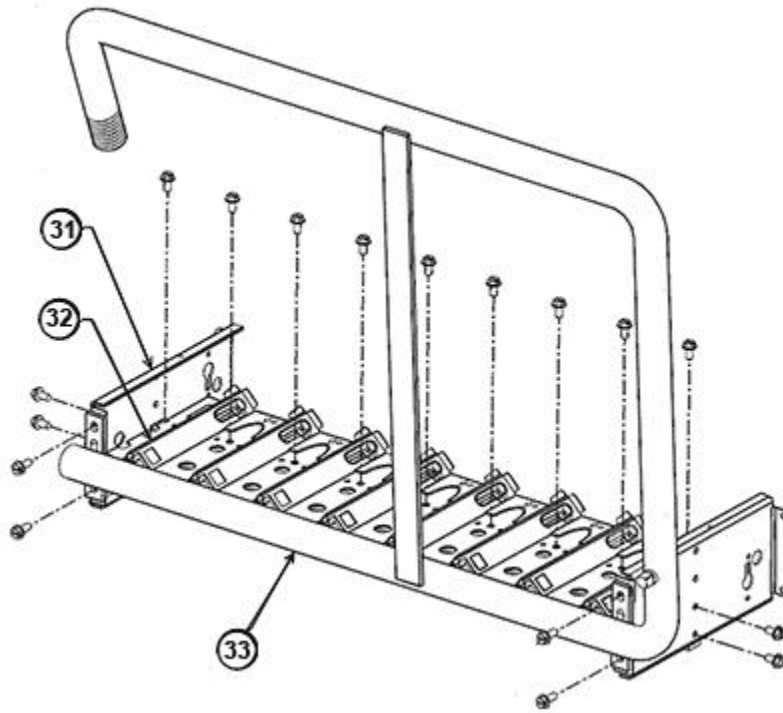


Exploded View

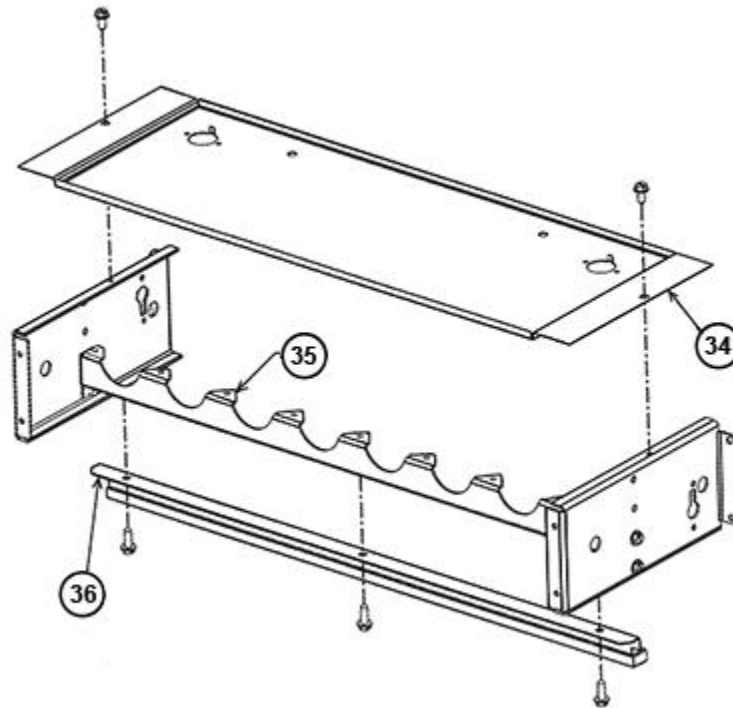




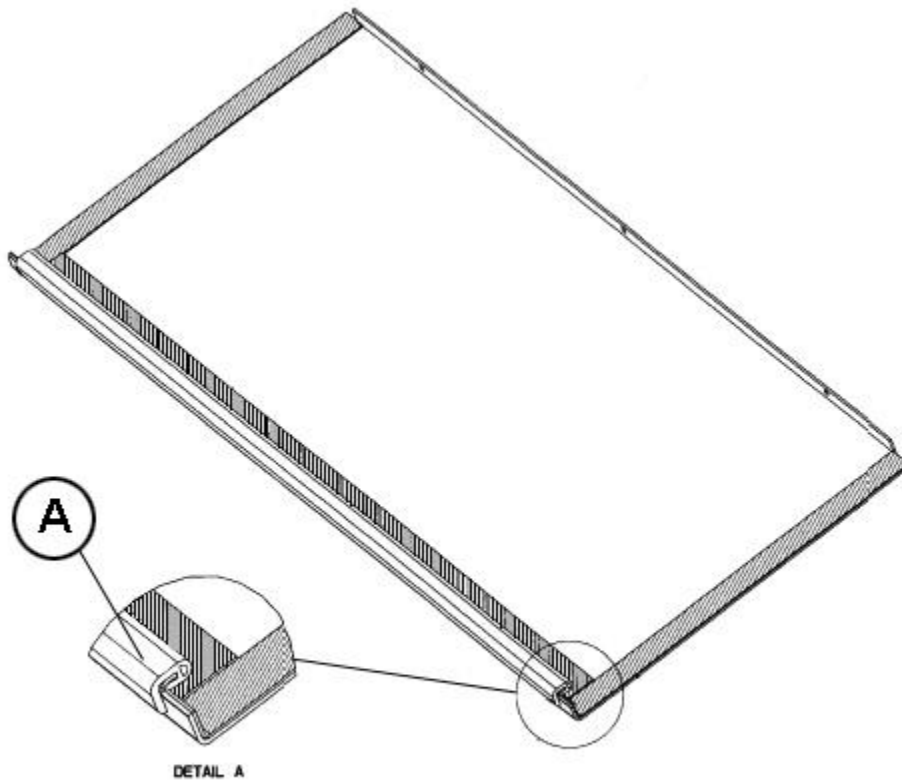
Blower Assembly



Burner Assembly



Burner Assembly Supports



Base Pan Gasket

# NOTES

Stk It is recommended that stock be maintained for this part.

N/A Not Applicable

- 1 Order the specified LP Conversion Kit.
- 2 MLRC - Manual Reset Limit Control
- 3 Replacement of Power Factor Choke is optional on units with 1/2 hp, X-13 and ECM, motors produced before F1712. After approximate date code F1712, production units will be supplied with a Jumper Wire Assembly (45-104318-01) in lieu of a Power Factor Choke. This Jumper Wire Assembly can be retrofitted to units built before Date Code F1712.
- 4 Both Genteq ECM 3.0 and U.S. Motors PerfectSpeed motors were installed in production. The motor shown will replace either manufacturer. However, if only the module is being replaced, the manufacturer of the original motor must be determined before selecting a replacement module.

**DISCLAIMER:** This document is intended to provide general replacement parts information to aid qualified service personnel in the repair of these models. The complete Model and Serial Number of the unit under repair should be specified when selecting and ordering replacement parts. Specifications and illustrations are subject to change without notice. Document 92-42800-RGJF supersedes all previous parts lists for these models. See <http://www.rheempartslists.net/92-42800-RGJF> for the latest revision of this document. The manufacturer assumes no obligation for errors or omissions. Service personnel must verify the proper and safe operation of equipment after the replacement of any original components.