



RGJD

Parts List
04-October-2014



*This parts list is current as of the above revision date.
See <http://www.rheempartslists.net/92-42800-RGJD.pdf> for the current revision.*

90% Gas Furnaces - Modulating

Table of Contents

Model Explanation	Page 3
Parts Numbers	
Panels - Miscellaneous	Page 4
Electrical Group	Page 5
Blower Group.....	Page 5
Heat Exchanger-Burner Group.....	Page 5
Gas Controls	Page 6
Orifice Selection Chart.....	Page 7
Drawings/Photographs	
Exploded View	Page 8
Blower Assembly	Page 9
Burner Assembly	Page 10
Burner Assembly Supports	Page 10
Base Pan Gasket.....	Page 11
Notes/Disclaimer	Page 12

MODEL NUMBER EXPLANATION

R	G	J	D	-	0	6	E	M	C	K	S	2	7	8
(1)	(2)	(3)	(4)			(5)		(6)	(7)	(8)	(9)		(9)	

- | | |
|--|---|
| <p>(1) TRADE BRAND IDENTIFICATION</p> <p>(2) MODEL
G = Gas Furnace</p> <p>(3) TYPE
J = Horizontal</p> <p>(4) DESIGN SERIES</p> <p>(5) HEATING INPUT DESIGNATION
06 = 60,000 BTU/HR
07 = 75,000 BTU/HR
09 = 90,000 BTU/HR
10 = 105,000 BTU/HR
12 = 125,000 BTU/HR</p> <p>E = Electric
N = Electric w/NOX</p> | <p>(6) BLOWER DESIGNATION
M = 11 x 7
R = 11 x 10
Z = 12 x 11</p> <p>(7) VARIATIONS
C = Single/Multi Zone</p> <p>(8) AIRFLOW
K = 600-1200 CFM
M = 1200-2000 CFM</p> <p>(9) FUEL DESIGNATION
S = Natural Gas</p> <p>(10) OPTION CODES
278 = Factory Supplied High Altitude Version</p> |
|--|---|

SERIAL NUMBER EXPLANATION

F	K	3	D	3	0	2	F	2	2	0	2	9	9	9	9
(1)		(2)	(3)	(4)	(5)	(6)	(7)	(8)		(9)		(10)			

- | | |
|--|--|
| <p>(1) GAS CODE</p> <p>(2) LIMIT CONTROL</p> <p>(3) BLOWER</p> <p>(4) HEATING ELEMENT</p> <p>(5) SPECIAL AREA REQUIREMENT</p> | <p>(6) MOTOR HORSEPOWER</p> <p>(7) PLANT
F = Fort Smith, AR</p> <p>(8) WEEK</p> <p>(9) YEAR</p> <p>(10) PRODUCTION NUMBER</p> |
|--|--|

No.	Notes	MODEL HEATING CAPACITY BLOWER DESIGNATION VARIATIONS AIRFLOW FUEL DESIGNATION	RGJD	RGJD	RGJD	RGJD	RGJD
			06E/06N M C K S	07E/07N M C K S	09E/09N Z C M S	10E/10N Z C M S	12E/12N R C M S
PANELS, SHEET METAL, AND MISCELLANEOUS							
1		Gas Valve	See Gas Controls				
3		Pressure Switch Assembly	See Electrical Group				
5		Blower Assembly	See Blower Group				
7		Blower Motor - ECM	See Electrical Group				
9		Junction Box	AE-67825-01	AE-67825-01	AE-67825-01	AE-67825-01	AE-67825-01
10		Inlet Air Chase Assembly	AS-67848-01	AS-67848-01	AS-67848-01	AS-67848-01	AS-67848-01
11		Limit - Heat Assisted (Blower Housing)	See Electrical Group				
12		Top Plate	AE-67805-02	AE-67805-02	AE-67805-03	AE-67805-03	AE-67805-04
		Gasket - Top Plate	68-102279-01	68-102279-01	68-102279-02	68-102279-02	68-102279-03
A		Gasket - Base Pan	AE-61871-01	AE-61871-01	AE-61871-02	AE-61871-02	AE-61871-03
		Thermistor - Duct Mounted	See Electrical Group				
13		Thermistor - Return Air Sensor	See Electrical Group				
		Blower/Filter Door	AS-61908-03	AS-61908-03	AS-61909-03	AS-61909-03	AS-61910-03
		Burner Compartment Door	AS-61905-01	AS-61905-01	AS-61906-01	AS-61906-01	AS-61907-01
		Thumbscrew and Insert Kit	64-24081-81	64-24081-81	64-24081-81	64-24081-81	64-24081-81
		Plug Button	45-22980-08	45-22980-08	45-22980-08	45-22980-08	45-22980-08
		Ignitor Control Bracket	AE-67903-01	AE-67903-01	AE-67903-01	AE-67903-01	AE-67903-01
		Inlet Air Gasket	68-24022-01	68-24022-01	68-24022-01	68-24022-02	68-24022-01
15		Pipe Assembly - Outlet Air	68-24150-01	68-24150-01	68-24150-01	68-24150-01	68-24150-02
16		Integrated Furnace Control Board (IFC)	See Gas Controls				
		Control Mounting Plate	AE-67877-01	AE-67877-01	AE-67877-01	AE-67877-01	AE-67877-01
		Outlet Air Gasket	68-24022-02	68-24022-02	68-24022-02	68-24022-02	68-24022-02
20		Connector/Transition Assembly	68-24047-10	68-24047-10	68-24047-11	68-24047-11	68-24047-12
22		Condensate Trap Assembly	See Parts Bag Group				
		Elbow - Plastic	See Parts Bag Group				
		Junction Box Cover	AE-61476-02	AE-61476-02	AE-61476-02	AE-61476-02	AE-61476-02
		Filter - Permanent Plastic (2)	54-22699-01	54-22699-01	54-22699-01	54-22699-01	54-22699-02
		Filter Rack	AE-66681-01	AE-66681-01	AE-66681-01	AE-66681-01	AE-66681-01
		Touch-up Paint - Platinum (Aerosol)	523012	523012	523012	523012	523012
		Touch-up Paint - Platinum (Paint Pens)	523013	523013	523013	523013	523013
		Touch-up Paint - Green (Aerosol)	52-18662-48	52-18662-48	52-18662-48	52-18662-48	52-18662-48
		Touch-up Paint - Green (Paint Pens)	523010	523010	523010	523010	523010

No.	Notes	MODEL HEATING CAPACITY BLOWER DESIGNATION VARIATIONS AIRFLOW FUEL DESIGNATION	RGJD				
			All All All All All				
PARTS BAG							
		Complete Parts Bag:	AS-100717-04				
		Hose Clamp (4)	64-22043-03				
		1/2 in. TEE	68-21980-02				
		1/2 in. PVC Pipe (4 in.)	68-22024-04				
		PVC Vane	68-23473-01				
	2	Drain Tube (used until approximate date code F2209)	68-24026-04				
	2	Drain Tube - Molded Hose (used after approximate date code F2209)	79-102882-01				
		PVC Wind Vane - 2-1/2 in.	68-24049-01				
22		Condensate Trap Assembly	68-24120-02				
		Elbow - Plastic	68-24121-01				
		Gasket - Trap Assembly	68-24123-01				

No.	Notes	MODEL HEATING CAPACITY BLOWER DESIGNATION VARIATIONS AIRFLOW FUEL DESIGNATION	RGJD	RGJD	RGJD	RGJD	RGJD
			06E/06N	07E/07N	09E/09N	10E/10N	12E/12N
			M	M	Z	Z	R
			C	C	C	C	C
			K	K	M	M	M
			S	S	S	S	S
ELECTRIC GROUP							
3	Stk	Pressure Switch Assembly	42-102320-01	42-102320-01	42-102320-03	42-102320-02	42-102320-04
6		Power Factor Choke	46-24256-02	46-24256-02	46-24256-02	46-24256-02	46-24256-02
8		Door Switch - Push Button	42-22692-05	42-22692-05	42-22692-05	42-22692-05	42-22692-05
11	Stk	Limit - Heat Assisted (Blower Housing)	47-22860-05	47-22860-01	47-22860-05	47-22860-05	47-22860-01
	Stk	Limit - Main Limit (Heat Exchanger Panel)	47-25350-07	47-25350-06	47-25350-10	47-25350-04	47-25350-11
13		Thermistor - Return Air Sensor	See Blower Group				
17	Stk	Transformer	46-24124-03	46-24124-03	46-24124-03	46-24124-03	46-24124-03
19	Stk	Induced Draft Blower w/Gasket	70-24206-01	70-24206-01	70-24206-01	70-24206-01	70-24206-02
24	Stk	Limit - Manual Reset (Burner Compartment) (2)	47-22861-02	47-22861-02	47-22861-02	47-22861-02	47-22861-02
	Stk	Thermistor - Duct Mounted	47-24225-01	47-24225-01	47-24225-01	47-24225-01	47-24225-01
13	Stk	Thermistor - Return Air Sensor	47-24253-01	47-24253-01	47-24253-01	47-24253-01	47-24253-01
		Wiring Harness - 3 pin to one strip back, one eye and one straight terminal	45-24371-42	45-24371-42	45-24371-42	45-24371-42	45-24371-42
		Wiring Harness - 15 pin to 15 pin and two 4 pin connectors	45-24371-35	45-24371-35	45-24371-35	45-24371-35	45-24371-35
		Wiring Harness - 5 pin to 3 pin and 2 pin connectors	45-24371-33	45-24371-33	45-24371-33	45-24371-33	45-24371-33
		Wiring Harness - 16 pin from IBM to 5 pin connector	45-24258-07	45-24258-07	45-24258-07	45-24258-07	45-24258-07
		Wiring Harness - 15 pin to 3 pin, 2 pin and 11 terminals (Twist Lock)	45-24393-05	45-24393-05	45-24393-05	45-24393-05	45-24393-05

No.	Notes	MODEL HEATING CAPACITY BLOWER DESIGNATION VARIATIONS AIRFLOW FUEL DESIGNATION	RGJD	RGJD	RGJD	RGJD	RGJD
			06E/06N	07E/07N	09E/09N	10E/10N	12E/12N
			M	M	Z	Z	R
			C	C	C	C	C
			K	K	M	M	M
			S	S	S	S	S
BLOWER GROUP							
5	Stk	Blower Assembly (Includes items 7,13,28-30)	AS-67876-02	AS-67876-02	AS-67876-03	AS-67876-03	AS-67876-04
7	Stk	Blower Motor - ECM	51-24374-01	51-24374-01	51-24376-03	51-24376-03	51-24376-01
		Motor Mount Kit (Grommets, Screws, Nuts, Belly Band, Brackets)	70-24104-82	70-24104-82	70-24104-82	70-24104-82	70-24104-82
		Motor Mount (Belly Band)	70-24104-02	70-24104-02	70-24104-02	70-24104-02	70-24104-02
11		Limit - Heat Assisted (Blower Housing)	See Electrical Group				
13		Thermistor - Return Air Sensor	See Electrical Group				
28		Housing	AS-61674-24	AS-61674-24	AS-61674-25	AS-61674-25	AS-61674-26
29		Motor Mount Bracket (4)	AE-61956-01	AE-61956-01	AE-61956-01	AE-61956-01	AE-61956-01
30	Stk	Blower Wheel	70-24254-02	70-24254-02	70-24179-01	70-24179-01	70-23111-20

No.	Notes	MODEL HEATING CAPACITY BLOWER DESIGNATION VARIATIONS AIRFLOW FUEL DESIGNATION	RGJD	RGJD	RGJD	RGJD	RGJD
			06E/06N	07E/07N	09E/09N	10E/10N	12E/12N
			M	M	Z	Z	R
			C	C	C	C	C
			K	K	M	M	M
			S	S	S	S	S
HEAT EXCHANGER, BURNER / MANIFOLD							
	Stk	Heat Exchanger Assembly	AS-67818-23	AS-67818-24	AS-67818-25	AS-67818-27	AS-67818-28
		Heat Exchanger Bracket	AE-61959-01	AE-61959-01	AE-61959-01	AE-61959-01	AE-61959-01
		Heat Exchanger Bracket	AE-67846-02	AE-67846-02	AE-67846-02	AE-67846-02	AE-67846-02
		NOX Burner Inserts	AE-67863-01 (3)	AE-67863-01 (4)	AE-67863-01 (5)	AE-67863-01 (6)	AE-67863-01 (7)
		NOX Retaining Bracket	AE-67864-01	AE-67864-02	AE-67864-03	AE-67864-04	AE-67864-05
32	Stk	Burner Assembly	AS-61984-04	AS-61984-05	AS-61984-06	AS-61984-07	AS-61984-08
35		Burner Support	AE-61809-17	AE-61809-18	AE-61809-19	AE-61809-20	AE-61809-21
31		Burner Support Bracket (2)	AE-61808-03	AE-61808-03	AE-61808-03	AE-61808-03	AE-61808-03
36		Burner Support Angle	AE-67880-01	AE-67880-02	AE-67880-03	AE-67880-04	AE-67880-05
33	Stk	Manifold (w/o Orifices)	81-101812-01	81-101812-02	81-101812-03	81-101812-04	81-101812-05
34		Burner Shield	AE-61807-07	AE-61807-08	AE-61807-09	AE-61807-10	AE-61807-11
		Burner Orifice - Natural Gas	See Orifice Selection Chart				
		Burner Orifice - LP	See Orifice Selection Chart				
		Number of Orifices	(4)	(5)	(6)	(7)	(8)

No.	Notes	MODEL GAS CODE	RGJD FK
GAS CONTROLS			
1	Stk	Gas Valve - Natural Gas	60-24215-03
1	Stk,1	Gas Valve - LP	See Note 1
16	Stk	Integrated Furnace Control Board (IFC)	62-24174-02
18	Stk	Ignition Control	62-24181-01
26	Stk	Flame Sensor	62-23543-05
23	Stk	Spark Ignitor	62-24271-02
		LP Conversion Kit - US	FP-07
		LP Conversion Kit - Canada	FP-08

90% GAS FURNACE - ORIFICE SELECTION CHART - NATURAL GAS

CAUTION: Selection of the correct Natural Gas Orifice requires the following information for the specific installation:

- 1) Altitude in of the installation (ft.).
- 2) Average energy content of the Natural Gas fuel from the local supplier (BTU/cu. ft.).

For detailed information and instructions for Orifice selection, see the Gas Furnace LP Conversion Kit Index 92-21519-59 and the latest edition of the National Fuel Gas Code Handbook, or the National Standard of Canada, Natural Gas and Propane Installation Code, CAN B149.1.

CAUTION: This information is provided for replacement purposes only. Conversion for operation at High Altitude must be done using the kit specified on the product specification sheet for the unit.

NOTE: This Orifice sizing chart is based on 15,000 BTU/HR per burner.

NOTE: Factory installed orifices are calculated and sized based on a Natural Gas heating value of 1075 BTU/cu. ft. and an elevation of 0 - 2000 ft.

Energy Value (BTU/cu. ft.)	Elevation (ft.)							
	0 - 1999	2000 - 2999	3000 - 3999	4000 - 4999	5000 - 5999	6000 - 6999	7000 - 7999	8000 - 8999
850	62-22175-47	62-22175-48	62-22175-48	62-22175-49	62-22175-49	62-22175-49	62-22175-50	62-22175-50
900	62-22175-48	62-22175-49	62-22175-49	62-22175-49	62-22175-50	62-22175-50	62-22175-50	62-22175-51
975	62-22175-49	62-22175-50	62-22175-50	62-22175-50	62-22175-51	62-22175-51	62-22175-51	62-22175-52
1075	62-22175-50	62-22175-51	62-22175-51	62-22175-51	62-22175-51	62-22175-52	62-22175-52	62-22175-52
1170	62-22175-51	62-22175-51	62-22175-52	62-22175-52	62-22175-52	62-22175-53	62-22175-53	62-22175-53

90% GAS FURNACE - ORIFICE SELECTION CHART - LP

CAUTION: Selection of the correct LP Orifice requires the altitude of the specific installation (ft.).

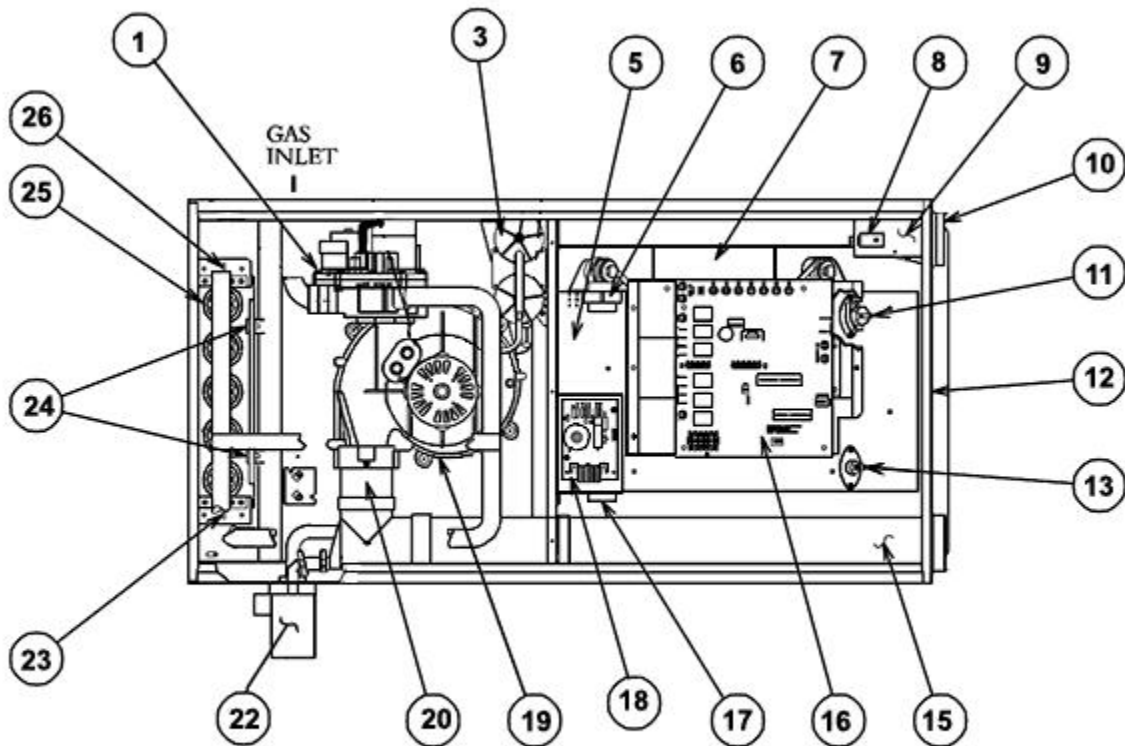
For detailed information and instructions for Orifice selection, see the Gas Furnace LP Conversion Kit Index 92-21519-59 and the latest edition of the National Fuel Gas Code Handbook (NFG), or the National Standard of Canada, Natural Gas and Propane Installation Code, CAN B149.1.

CAUTION: This information is provided for replacement purposes only. Conversion to LP or for operation at High Altitude should be done using the kit(s) specified on the product specification sheet for the unit.

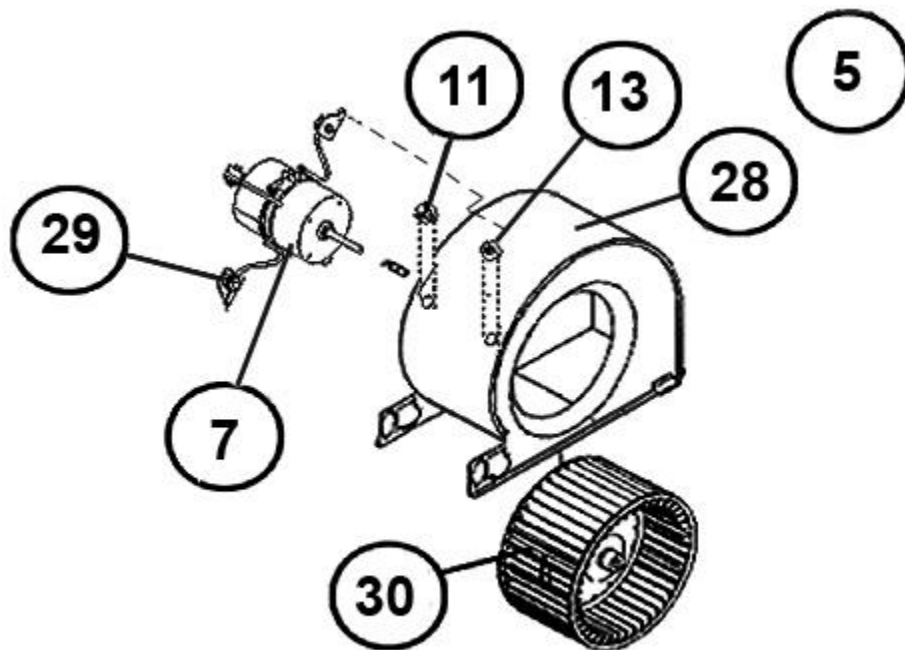
NOTE: This Orifice sizing chart is based on 15,000 BTU/HR per burner. Also, the chart is developed using the specified pressure setting of 10 in. water column instead of the 11.0 in water column used by the NFG and CANB149.1.

NOTE: Orifices supplied in the LP Conversion Kit are calculated and sized based on an altitude of 0 - 2000 ft.

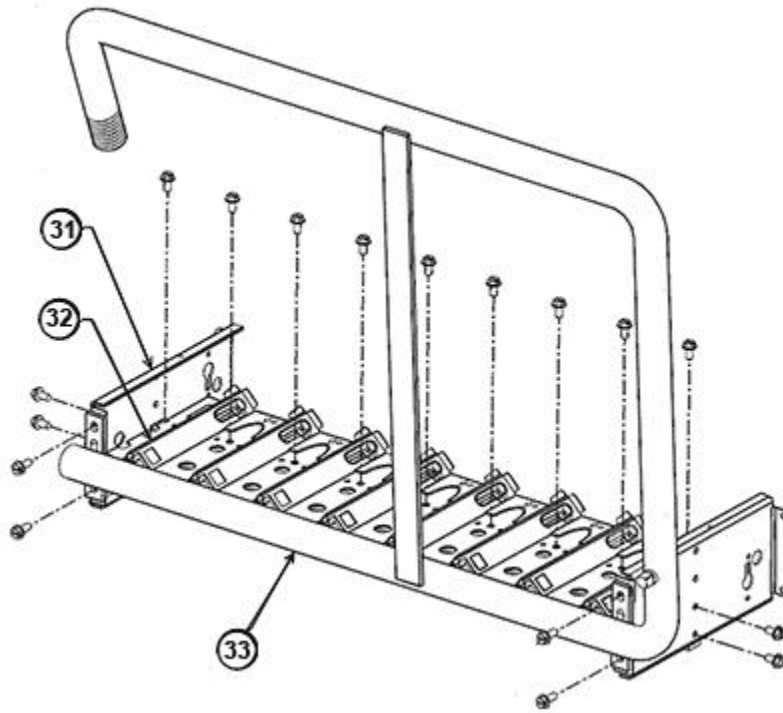
Elevation (ft.)	Orifice							
0 to 2000 ft.	62-22175-91							
2001 to 3000	62-22175-91							
3001 to 4000	62-22175-90							
4001 to 5000	62-22175-58							
5001 to 6000	62-22175-59							
6001 to 7000	62-22175-60							
7001 to 8000	62-22175-62							
8001 to 9000	62-22175-63							
9001 to 1000	62-22175-64							



Exploded View

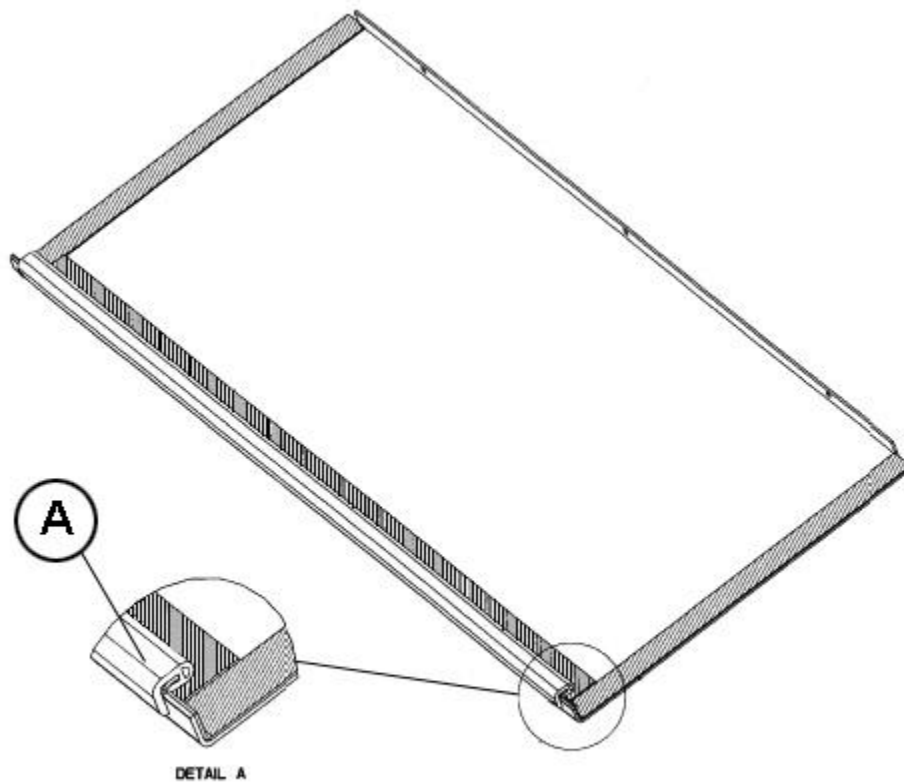


Blower Assembly



Burner Assembly

Burner Assembly Supports



Base Pan Gasket

NOTES

Stk It is recommended that stock be maintained for this part.

N/A Not Applicable

- 1 Order the specified LP Conversion Kit.
- 2 Parts Bag deletion of 68-24026-04 Drain Tube requires that Tube 79-102882-01 be cut to length for horizontal applications on units produced after approximate date code F2209.

DISCLAIMER: This document is intended to provide general replacement parts information to aid qualified service personnel in the repair of these models. The complete Model and Serial Number of the unit under repair should be specified when selecting and ordering replacement parts. Specifications and illustrations are subject to change without notice. Document 92-42800-RGJD supersedes all previous parts lists for these models. See <http://www.rheempartslists.net/92-42800-RGJD> for the latest revision of this document. The manufacturer assumes no obligation for errors or omissions. Service personnel must verify the proper and safe operation of equipment after the replacement of any original components.