



RGFE

Parts List
24-August-2012



*This parts list is current as of the above revision date.
See <http://www.rheempartslists.net/92-42800-RGFE.pdf> for the current revision.*

90% Gas Furnaces - Modulating

Table of Contents

Model Explanation	Page 3
Parts Numbers	
Panels - Miscellaneous	Page 4
Parts Bag	Page 5
Electrical Group	Page 6
Blower Group.....	Page 6
Heat Exchanger-Burner Group.....	Page 7
Gas Controls	Page 7
Orifice Selection Chart.....	Page 8
Drawings/Photographs	
Exploded View	Page 9
Blower Assembly	Page 10
Burner Assembly	Page 11
Notes/Disclaimer	Page 12

MODEL NUMBER EXPLANATION

R	G	F	E	-	0	7	E	M	C	K	S	2	7	8
1	2	3	4			5		6	7	8	9		10	

- | | |
|--|--|
| <p>1 TRADEBRAND IDENTIFICATION</p> <p>2 MODEL
G= Gas Furnace</p> <p>3 TYPE
F= Modulating Upflow</p> <p>4 DESIGN SERIES / VARIATION
Servo Modulating Valve, Communicating</p> <p>5 HEATING INPUT DESIGNATION
06 = 60,000 BTU/HR
07 = 75,000 BTU/HR
09 = 90,000 BTU/HR
10 = 105,000 BTU/HR
12 = 125,000 BTU/HR</p> <p>E = Electric
N = Electric w/NOX</p> | <p>6 BLOWER DESIGNATION
M = 11 x 7
R = 11 x 10
Z = 12 x 11</p> <p>7 VARIATIONS
C = Single/Multi Zone</p> <p>8 AIRFLOW
K = 600-1200 CFM
M = 1200-2000 CFM</p> <p>9 FUEL DESIGNATION
S = Natural Gas - CSA (U.S. & Canada)</p> <p>10 OPTION CODES
(If Applicable)
278 = High Altitude</p> |
|--|--|

SERIAL NUMBER EXPLANATION

H	A	5	D	7	0	7	F	4	5	0	9	9	9	9	9
1	2	3	4	5	6	7	8	9					10		

- | | |
|--|--|
| <p>1 GAS CODE</p> <p>2 LIMIT CONTROL</p> <p>3 BLOWER</p> <p>4 HEATING ELEMENT</p> <p>5 SPECIAL AREA REQUIREMENT</p> | <p>6 MOTOR HORSEPOWER</p> <p>7 PLANT
F = Fort Smith, AR</p> <p>8 WEEK</p> <p>9 YEAR</p> <p>10 PRODUCTION NUMBER</p> |
|--|--|

No.	Notes	MODEL	RGFE-	RGFE-	RGFE-	RGFE-	RGFE-
		HEATING CAPACITY BLOWER DESIGNATION VARIATIONS AIRFLOW FUEL DESIGNATION	06E/06N M C K B/S	07E/07N M C K B/S	09E/09N Z C M B/S	10E/10N Z C M B/S	12E/12N R C M B/S
PANELS, SHEET METAL, MISCELLANEOUS							
1		Jacket	AS-61824-25	AS-61824-25	AS-61824-26	AS-61824-26	AS-61824-28
2		Top Plate	AS-61872-01	AS-61872-01	AS-61872-02	AS-61872-02	AS-61872-03
		Gasket - Top Plate	AE-61871-01	AE-61871-01	AE-61871-02	AE-61871-02	AE-61871-03
		Gasket - Front Base Angle	68-102435-01	68-102435-01	68-102435-02	68-102435-02	68-102435-03
3		Blower/Filter Door	AS-61908-03	AS-61908-03	AS-61909-03	AS-61909-03	AS-61910-03
5		Burner Compartment Door	AS-61978-01	AS-61978-01	AS-61979-01	AS-61979-01	AS-61980-01
		Thumbscrew and Insert Kit	64-24081-81	64-24081-81	64-24081-81	64-24081-81	64-24081-81
7		Baffle	AE-61875-01	AE-61875-01	AE-61875-01	AE-61875-01	AE-61875-01
8		Baffle	AE-61875-02	AE-61875-02	AE-61875-02	AE-61875-02	AE-61875-02
9		Rear Baffle	AE-61878-01	AE-61878-01	AE-61878-02	AE-61878-02	AE-61878-03
10		Junction Box	AE-61475-02	AE-61475-02	AE-61475-02	AE-61475-02	AE-61475-02
11		Junction Box Cover	AE-61476-02	AE-61476-02	AE-61476-02	AE-61476-02	AE-61476-02
12		Control Mounting Plate	AE-67877-01	AE-67877-01	AE-67877-01	AE-67877-01	AE-67877-01
13		Solid Bottom	AE-61874-02	AE-61874-02	AE-61874-03	AE-61874-03	AE-61874-04
14		Door Switch			See Electrical Group		
15		Limit - Main Limit (Heat Exchanger Panel)			See Electrical Group		
16		Limit - Manual Reset (Burner Compartment)			See Electrical Group		
17		Pressure Switch - Dual			See Electrical Group		
19		Induced Draft Blower w/Gasket			See Electrical Group		
45		Outlet Air Pipe	68-24021-01	68-24021-01	68-24021-01	68-24021-01	68-24021-01
46		Outlet Air Pipe Gasket	68-24022-02	68-24022-02	68-24022-02	68-24022-02	68-24022-02
47		Connector/Transition	68-24047-07	68-24047-07	68-24047-08	68-24047-08	68-24047-09
48		Hose Clamp - For 1/2 in. Santoprene Hoses (All Hoses except Inducer to Drain Trap)	64-22043-02 (5)	64-22043-02 (5)	64-22043-02 (5)	64-22043-02 (5)	64-22043-02 (5)
49		Tubing - Santoprene (1/2 in. Diameter, 31 1/2 in. Length), Exhaust Elbow to Drain Trap through Blower Shelf	79-24182-03	79-24182-03	79-24182-03	79-24182-03	79-24182-03
		Grommet (5/8 in. ID)	56-22521-03	56-22521-03	56-22521-03	56-22521-03	56-22521-03
50		Water Trap Mounting Bracket	AE-61841-01	AE-61841-01	AE-61841-01	AE-61841-01	AE-61841-01
51		Trap/Elbow Assembly	68-100651-01	68-100651-01	68-100651-01	68-100651-01	68-100651-01
52		Tubing - Santoprene (1/2 in. Diameter, 26 in. Length), Fitting in Blower Shelf to Drain Trap	79-24182-02	79-24182-02	79-24182-02	79-24182-02	79-24182-02
53		Elbow	68-24013-01	68-24013-01	68-24013-01	68-24013-01	68-24013-01
		Tubing - Santoprene (1/2 in. Diameter, 14 3/16 to 16 7/16 Length), - Inducer to Drain Trap through Blower Shelf	79-100565-04	79-100565-04	79-100565-05	79-100565-05	79-100565-06
		Hose Clamp - For 1/2 in. Santoprene Hoses (Inducer to Drain Trap)	64-22043-01	64-22043-01	64-22043-01	64-22043-01	64-22043-01
54		Tubing - Santoprene (1/2 in. Diameter, 3 1/4 in. Length, Collector Box to Fitting in Blower	79-24182-02	79-24182-02	79-24182-02	79-24182-02	79-24182-02
55		Silicone Tubing - Pressure Switch	79-21491-83	79-21491-83	79-21491-83	79-21491-83	79-21491-83
56		Adapter	68-24028-01	68-24028-01	68-24028-01	68-24028-01	68-24028-01
57		O-Ring Gasket			See Parts Bag		
58		Locknut	64-24031-01	64-24031-01	64-24031-01	64-24031-01	64-24031-01
59		Vinyl Grommet (2 in.)	56-22114-06	56-22114-06	56-22114-06	56-22114-06	56-22114-06
		Vinyl Grommet (1-5/8 in.)	56-22114-01	56-22114-01	56-22114-01	56-22114-01	56-22114-01
61		Button Plug (1-13/32 in.) (2)	45-22980-03	45-22980-03	45-22980-03	45-22980-03	45-22980-03
		Button Plug (2 in.)	45-22980-08	45-22980-08	45-22980-08	45-22980-08	45-22980-08
62		Filter - Plastic	54-24094-01	54-24094-01	54-24094-02	54-24094-02	54-24094-03
63		Filter Retainer Rod	45-24095-01	45-24095-01	45-24095-01	45-24095-01	45-24095-01
64		Filter Rod Support Angle	AE-60520-01	AE-60520-01	AE-60520-01	AE-60520-01	AE-60520-01
65		Filter Support Angle	AE-61883-01	AE-61883-01	AE-61883-01	AE-61883-01	AE-61883-01
		Touch-up Paint - Platinum (Aerosol)	523012	523012	523012	523012	523012
		Touch-up Paint - Platinum (Paint Pens)	523013	523013	523013	523013	523013
		Touch-up Paint - Green (Aerosol)	52-18662-48	52-18662-48	52-18662-48	52-18662-48	52-18662-48
		Touch-up Paint - Green (Paint Pens)	523010	523010	523010	523010	523010
		Tether - Memory Card			See Electrical Group		

No.	Notes	MODEL HEATING CAPACITY BLOWER DESIGNATION VARIATIONS AIRFLOW FUEL DESIGNATION	RGFE- All All All All All				
PARTS BAG							
		Complete Parts Bag:	AS-100717-01				
		Nylon Plug - 7/8 in. (2)	45-22926-01				
		Nylon Plug - 1-1/8 in.	45-22926-02				
		Hose Clamp - 5/8 in.	64-22043-01				
		Hose Clamp - 3/4 in. (2)	64-22043-02				
		1/2 in. TEE	68-21980-02				
		1/2 in. PVC Pipe (4 in.)	68-22024-04				
		PVC Vane	68-23473-01				
57		Gasket (O-Ring)	68-24032-01				
		PVC Wind Vane - 2-1/2 in.	68-24049-01				
		Adapter/Locknut Assembly	68-24114-01				

No.	Notes	MODEL HEATING CAPACITY BLOWER DESIGNATION VARIATIONS AIRFLOW FUEL DESIGNATION	RGFE-	RGFE-	RGFE-	RGFE-	RGFE-	
			06E/06N M C K B/S	07E/07N M C K B/S	09E/09N Z C M B/S	10E/10N Z C M B/S	12E/12N R C M B/S	
ELECTRIC GROUP								
14		Door Switch - Push Button	42-22692-07	42-22692-07	42-22692-07	42-22692-07	42-22692-07	
15	Stk	Limit - Main Limit (Heat Exchanger Panel)	47-25350-01	47-25350-01	47-25350-07	47-25350-07	47-25350-01	
16	Stk	Limit - Manual Reset (Burner Compartment)	47-22861-02 (1)	47-22861-02 (2)	47-22861-02 (2)	47-22861-02 (2)	47-22861-02 (3)	
16a		Bracket (Limit - Manual Reset)	See Heat Exchanger Group					
17	Stk	Pressure Switch - Dual	42-102056-14	42-102056-15	42-102056-18	42-102056-16	42-102056-17	
17	Stk	Pressure Switch - Dual (278 Option)	42-102056-19	42-102056-20	42-102056-21	42-102056-05	42-102056-05	
19	Stk	Induced Draft Blower w/Gasket	70-102814-01	70-102814-01	70-102814-01	70-102814-01	70-102814-01	
20	Stk	Capacitor - Induced Draft Blower	43-20847-44	43-20847-44	43-20847-44	43-20847-44	43-20847-44	
21		Gasket - Induced Draft Blower	68-24016-01	68-24016-01	68-24016-01	68-24016-01	68-24016-01	
22	Stk	Transformer	46-102856-01	46-102856-01	46-102856-01	46-102856-01	46-102856-01	
23		Power Factor Choke	N/A	N/A	46-24256-02	46-24256-02	46-24256-02	
23	4	Power Factor Choke - Before F1712 (See Note 4)	46-24256-02	46-24256-02	N/A	N/A	N/A	
	4	Jumper Wire Assembly - After F1712 (See Note 4)	45-104318-01	45-104318-01	N/A	N/A	N/A	
	Stk	Thermistor - Duct Mounted	47-24225-01	47-24225-01	47-24225-01	47-24225-01	47-24225-01	
		Push Mount Tie (for Memory Card Wire Tie)	64-102873-01	64-102873-01	64-102873-01	64-102873-01	64-102873-01	
		Memory Card - Before F2510	47-102738-01	47-102738-02	47-102738-03	47-102738-04	47-102738-05	
		Memory Card - After F2510	47-103687-01	47-103687-02	47-103687-03	47-103687-04	47-103687-05	
wh1		Wiring Harness - 3 pin to stripback and eye connectors (Junction Box)	45-24371-53	45-24371-53	45-24371-53	45-24371-53	45-24371-53	
wh2		Wiring Harness - (IFC to Twist-Lock)	See Gas Controls					
wh3		Wiring Harness - 5 pin to 2 pin and 3 pin connectors (Power to IFC, Motor and Power Factor Correction Choke)	45-103019-01	45-103019-01	45-103019-01	45-103019-01	45-103019-01	
wh4		Wiring Harness - 4 pin to 4 pin for Motor Communications (IFC to Blower Motor)	45-102785-01	45-102785-01	45-102785-01	45-102785-01	45-102785-01	
wh5		Wire Harness - (Twist-Lock Wiring to Burner Compartment)	See Gas Controls					
	2	Wire Assembly - 1/4 in. Quick Connect to 1/4 in. Quick Connect - 10 in. red (MRLC to MRLC)	N/A	45-103024-01	45-103024-01	45-103024-01	45-103024-01	

No.	Notes	MODEL HEATING CAPACITY BLOWER DESIGNATION VARIATIONS AIRFLOW FUEL DESIGNATION	RGFE-	RGFE-	RGFE-	RGFE-	RGFE-
			06E/06N M C K B/S	07E/07N M C K B/S	09E/09N Z C M B/S	10E/10N Z C M B/S	12E/12N R C M B/S
BLOWER GROUP							
24	Stk	Blower Assembly (Includes items 25-28)	AS-67876-33	AS-67876-33	AS-67876-34	AS-67876-34	AS-67876-35
25		Housing	AS-61674-02	AS-61674-02	AS-61674-08	AS-61674-08	AS-61674-03
26	Stk	Blower Motor - Communicating ECM	51-102602-01	51-102602-01	51-102605-01	51-102605-01	51-102605-01
		Motor Mount Kit (Grommets, Screws, Nuts, Belly Band, Brackets)	70-24104-82	70-24104-82	70-24104-82	70-24104-82	70-24104-82
		ECM Motor Mount (Belly Band)	70-24104-02	70-24104-02	70-24104-02	70-24104-02	70-24104-02
27		Motor Mount Bracket (4)	AE-61956-01	AE-61956-01	AE-61956-01	AE-61956-01	AE-61956-01
28	Stk	Blower Wheel	70-24254-02	70-24254-02	70-24179-01	70-24179-01	70-23111-20

No.	Notes	MODEL HEATING CAPACITY BLOWER DESIGNATION VARIATIONS AIRFLOW FUEL DESIGNATION	RGFE-	RGFE-	RGFE-	RGFE-	RGFE-
			06E/06N M C K B/S	07E/07N M C K B/S	09E/09N Z C M B/S	10E/10N Z C M B/S	12E/12N R C M B/S
HEAT EXCHANGER, BURNER / MANIFOLD							
16		Limit - Manual Reset (Burner Compartment)	See Electrical Group				
16a		Bracket (Limit - Manual Reset)	AE-61913-02 (1)	AE-61913-02 (1)	AE-61913-02 (1)	AE-61913-02 (2)	AE-61913-02 (3)
30	Stk	Heat Exchanger Assembly	AS-61805-30	AS-61805-31	AS-61805-32	AS-61805-34	AS-61805-35
31	Stk	Burner Assembly	AS-61984-04	AS-61984-05	AS-61984-06	AS-61984-07	AS-61984-08
		NOX Retaining Bracket	AE-67864-01	AE-67864-02	AE-67864-03	AE-67864-04	AE-67864-05
		NOX Insert	AE-67863-01 (3)	AE-67863-01 (4)	AE-67863-01 (5)	AE-67863-01 (6)	AE-67863-01 (7)
32	Stk	Direct Spark Ignitor	62-24141-04	62-24141-04	62-24141-04	62-24141-04	62-24141-04
33	Stk	Manifold (w/o Orifices)	81-24395-02	81-24395-03	81-24395-04	81-24395-05	81-24395-06
35		Burner Support Bracket	AE-61808-01	AE-61808-01	AE-61808-01	AE-61808-01	AE-61808-01
36		Burner Support Bracket	AE-61808-01	AE-61808-01	AE-61808-01	AE-61808-01	AE-61808-01
37		Burner Support	AE-61809-12	AE-61809-13	AE-61809-14	AE-61809-15	AE-61809-16
38		Burner Diffuser	AE-61882-11	AE-61882-07	AE-61882-08	AE-61882-09	AE-61882-10
39		Burner Shield	AE-61807-02	AE-61807-03	AE-61807-04	AE-61807-05	AE-61807-06
34		Burner Orifice - Natural Gas	See Orifice Selection Chart				
34		Burner Orifice - LP	See Orifice Selection Chart				
		Number of Orifices	(4)	(5)	(6)	(7)	(8)

No.	Notes	MODEL GAS CODE	RGFE-	RGFE-			
			HA	HG			
GAS CONTROLS							
40	Stk	Gas Valve - Natural Gas	60-102787-01	60-24215-03			
40	Stk	Gas Valve - LP	See Note 3	See Note 1			
41	Stk	Integrated Furnace Control Board (IFC)	62-102783-01	62-102783-01			
wh2		Wiring Harness - 16 pin to 15 pin, 5 pin and 4 pin connectors (IFC to Twist-Lock)	45-24371-51	N/A			
wh5		Wire Harness - 16 pin to 5 pin & 3 pin connectors (Twist-Lock Wiring to Burner Compartment)	45-102786-01	N/A			
wh2		Wiring Harness - 16 pin to 15 pin and 4 pin connectors (IFC to Twist-Lock)	N/A	45-24371-54			
wh5		Wire Harness - 16 pin to 3 pin & 2 pin connectors (Twist-Lock Wiring to Burner Compartment)	N/A	45-102786-02			
43	Stk	Flame Sensor	62-23543-01	62-23543-01			
	Stk	Spark Ignitor	62-24141-04	62-24141-04			
	Stk	LP Conversion Kit - U.S./Canadian Models	FP-27	FP-27MX			

90% GAS FURNACE - ORIFICE SELECTION CHART - NATURAL GAS

CAUTION: Selection of the correct Natural Gas Orifice requires the following information for the specific installation:

- 1) Altitude in of the installation (ft.).
- 2) Average energy content of the Natural Gas fuel from the local supplier (BTU/cu. ft.).

For detailed information and instructions for Orifice selection, see the Gas Furnace LP Conversion Kit Index 92-21519-59 and the latest edition of the National Fuel Gas Code Handbook, or the National Standard of Canada, Natural Gas and Propane Installation Code, CAN B149.1.

CAUTION: This information is provided for replacement purposes only. Conversion for operation at High Altitude must be done using the kit specified on the product specification sheet for the unit.

NOTE: This Orifice sizing chart is based on 15,000 BTU/HR per burner.

NOTE: Factory installed orifices are calculated and sized based on a Natural Gas heating value of 1075 BTU/cu. ft. and an elevation of 0 - 2000 ft.

Energy Value (BTU/cu. ft.)	Elevation (ft.)							
	0 - 1999	2000 - 2999	3000 - 3999	4000 - 4999	5000 - 5999	6000 - 6999	7000 - 7999	8000 - 8999
850	62-22175-47	62-22175-48	62-22175-48	62-22175-49	62-22175-49	62-22175-49	62-22175-50	62-22175-50
900	62-22175-48	62-22175-49	62-22175-49	62-22175-49	62-22175-50	62-22175-50	62-22175-50	62-22175-51
975	62-22175-49	62-22175-50	62-22175-50	62-22175-50	62-22175-51	62-22175-51	62-22175-51	62-22175-52
1075	62-22175-50	62-22175-51	62-22175-51	62-22175-51	62-22175-51	62-22175-52	62-22175-52	62-22175-52
1170	62-22175-51	62-22175-51	62-22175-52	62-22175-52	62-22175-52	62-22175-53	62-22175-53	62-22175-53

90% GAS FURNACE - ORIFICE SELECTION CHART - LP

CAUTION: Selection of the correct LP Orifice requires the altitude of the specific installation (ft.).

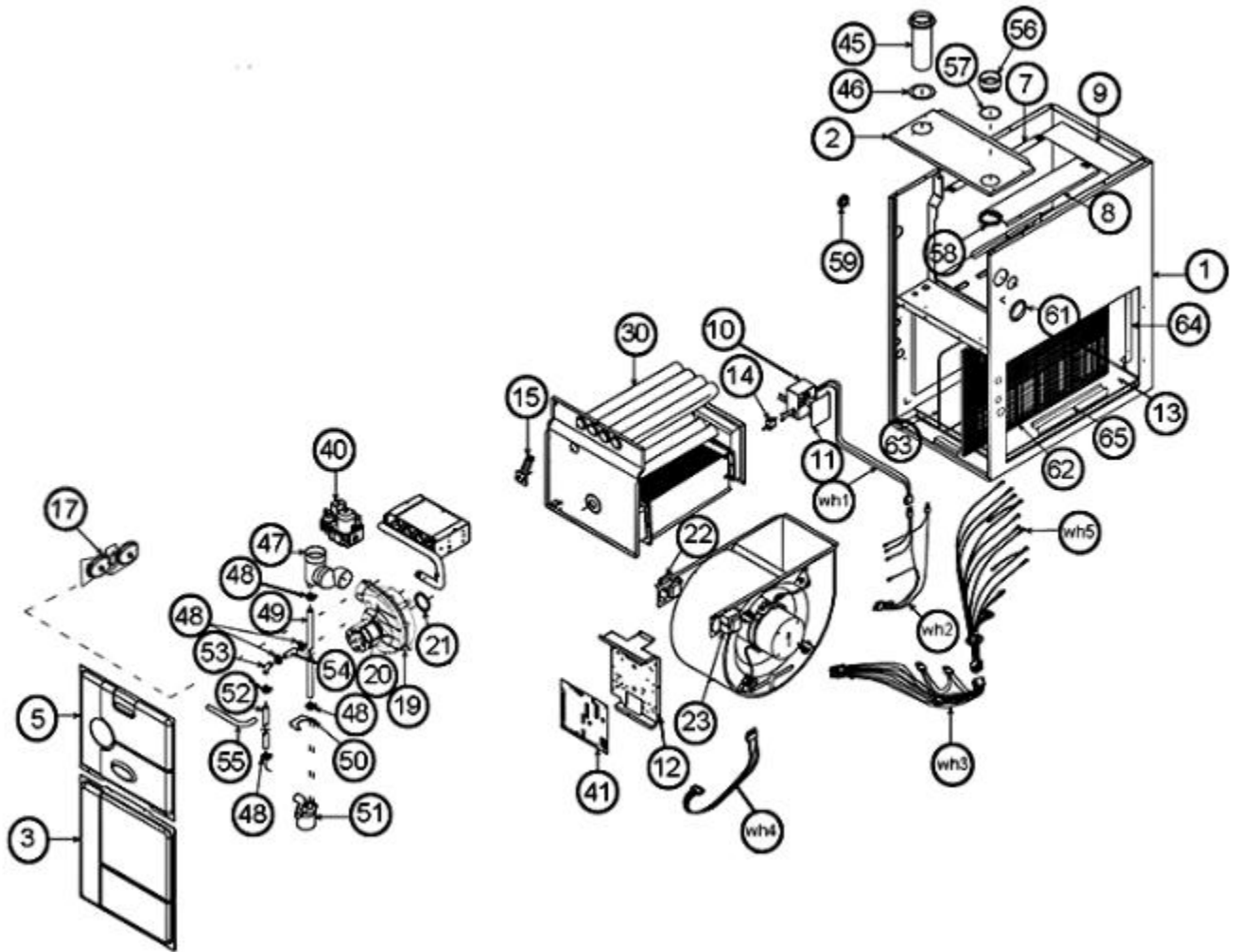
For detailed information and instructions for Orifice selection, see the Gas Furnace LP Conversion Kit Index 92-21519-59 and the latest edition of the National Fuel Gas Code Handbook (NFG), or the National Standard of Canada, Natural Gas and Propane Installation Code, CAN B149.1.

CAUTION: This information is provided for replacement purposes only. Conversion to LP or for operation at High Altitude should be done using the kit(s) specified on the product specification sheet for the unit.

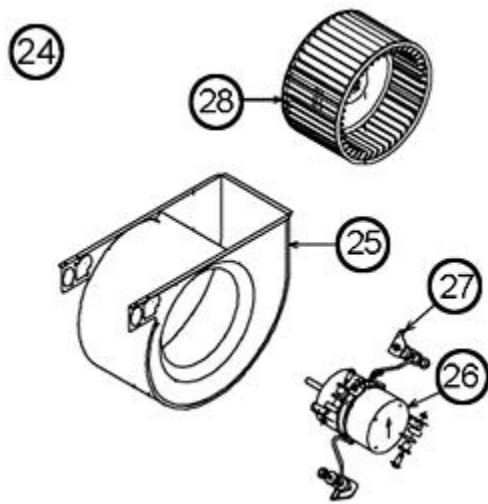
NOTE: This Orifice sizing chart is based on 15,000 BTU/HR per burner. Also, the chart is developed using the specified pressure setting of 10 in. water column instead of the 11.0 in water column used by the NFG and CANB149.1.

NOTE: Orifices supplied in the LP Conversion Kit are calculated and sized based on an altitude of 0 - 2000 ft.

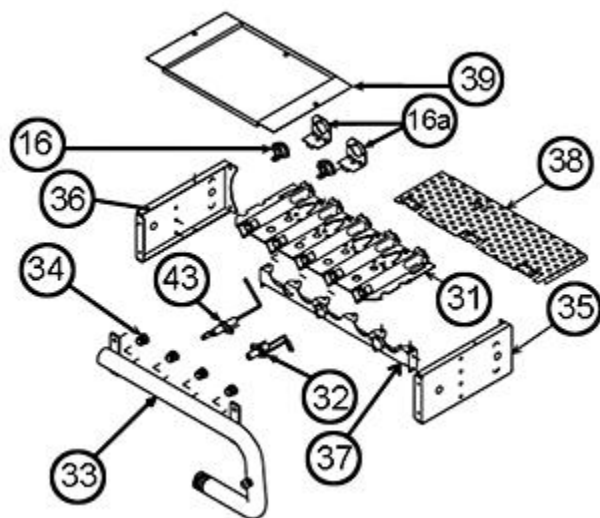
Elevation (ft.)	Orifice							
0 to 2000 ft.	62-22175-91							
2001 to 3000	62-22175-91							
3001 to 4000	62-22175-90							
4001 to 5000	62-22175-58							
5001 to 6000	62-22175-59							
6001 to 7000	62-22175-60							
7001 to 8000	62-22175-62							
8001 to 9000	62-22175-63							
9001 to 1000	62-22175-64							



Exploded View



Blower Assembly



Burner Assembly

NOTES

Stk It is recommended that stock be maintained for this part.

N/A Not Applicable

- 1 Order the specified LP Conversion Kit.
- 2 MRLC - Manual Reset Limit Control
- 3 Order Gas Valve for Natural Gas along with LP Conversion Kit
- 4 Replacement of Power Factor Choke is optional on units with 1/2 hp, X-13 and ECM, motors produced before F1712. After approximate date code F1712, production units will be supplied with a Jumper Wire Assembly (45-104318-01) in lieu of a Power Factor Choke. This Jumper Wire Assembly can be retrofitted to units built before Date Code F1712.

DISCLAIMER: This document is intended to provide general replacement parts information to aid qualified service personnel in the repair of these models. The complete Model and Serial Number of the unit under repair should be specified when selecting and ordering replacement parts. Specifications and illustrations are subject to change without notice. Document 92-42800-RGFE supersedes all previous parts lists for these models. See <http://www.rheempartslists.net/92-42800-RGFE> for the latest revision of this document. The manufacturer assumes no obligation for errors or omissions. Service personnel must verify the proper and safe operation of equipment after the replacement of any original components.