



RGEA16

Parts List
28-March-2015



*This parts list is current as of the above revision date.
See <http://www.rheempartslists.net/92-42800-RGEA16.pdf> for the current revision.*

Package Gas-Electric

Table of Contents

Model Explanation	Page 3
Parts Numbers	
Panels - Miscellaneous	Page 4
Electrical Group	Page 5
Fan Group	Page 6
Blower Group	Page 6
Coil Parts	Page 7
Compressor Group	Page 8
Heat Exchanger-Burner Group	Page 9
Gas Controls	Page 10
Accessories	Page 10
Orifice Selection Chart	Page 11
Drawings/Photographs	
Exploded View	Page 12
Control Access Panel Detail	Page 13
Electrical Control Box	Page 14
Blower Assembly	Page 15
Evaporator Coil Assembly	Page 16
Condenser Coil	Page 17
Compressor and Refrigeration Components	Page 18
Heat Exchanger Assembly	Page 19
Burner Assembly	Page 20
Notes/Disclaimer	Page 21

MODEL NUMBER EXPLANATION

R	G	E	A	1	6	0	3	6	A	J	D	00	1	A	A	-
(1)	(2)	(3)	(4)	(5)			(6)	(7)	(8)	(9)	(10)	(11)	(12)	(13)		

(1) TRADENAME IDENTIFICATION

(2) PRODUCT CLASSIFICATION

GE = Package Gas Electric

(3) CABINET TYPE

A = Residential Package

(4) SERIES

16 = 16 SEER

(5) COOLING CAPACITY (Ton)

024 = 2 ton 042 = 3.5 ton
 030 = 2.5 ton 048 = 4 ton
 036 = 3 ton 060 = 5 ton

(6) MAJOR SERIES

(7) ELECTRICAL DESIGNATION

J = 208/230V - 1 PH - 60 HZ
 C = 208/230V - 3 PH - 60 HZ
 D = 460V - 3 PH - 60 HZ
 Y = 575 - 3 PH - 60 HZ
 S = 200V - 1 PH - 50 HZ
 T = 220/240V - 1 PH - 50 HZ
 P = 200/220V - 3 PH - 50 HZ
 N = 380/415V - 3 PH - 50 HZ
 V = 380V - 3 PH - 60 HZ

(8) DRIVE PACKAGE

A = Belt - Low Static
 B = Belt - Medium Static
 C = Belt - High Static
 D = Direct Drive
 E = Direct Drive VFD
 F = Belt VFD - Low Static
 G = Belt VFD - Medium Static
 H = Belt VFD - High Static
 T = Constant Torque
 V = Variable Speed

(9) HEATING CAPACITY - (MBH)

00 = no heat
 04 = 40,000
 06 = 60,000
 08 = 80,000
 10 = 100,000

(10) HEAT CONFIGURATION

1 = Single Stage
 2 = Two Stage
 X = Single Stage NOX
 T = Two Stage NOX
 0 = No Heat

(11) CONTROL

A = Non-Communicating
 C = Clear Control

(12) MINOR SERIES

A = 1st Design

(13) Option Code

SERIAL NUMBER EXPLANATION

F	0	8	1	3	9	9	9	9
(1)	(2)	(3)	(4)					

(1) PLANT CODE

(2) WEEK (DATE CODE)

(3) YEAR

(4) PRODUCTION NUMBER

**Note: For Compressor Identification Number, see Compressor Code on Rating Plate
 For Gas Code, see Control System Gas Code on Rating Plate**

No.	Notes	MODEL COOLING CAPACITY MAJOR SERIES	RGEA16 024 A	RGEA16 036 A	RGEA16 048 A	RGEA16 060 A
SHEET METAL PARTS, MISCELLANEOUS						
1		Front Base Pan	AS-58628-07H	AS-58628-07H	AS-58628-07H	AS-58628-07H
2		Base Rail (2)	AE-58562-03	AE-58562-03	AE-58562-03	AE-58562-03
3		Base Rail (2)	AE-58562-04	AE-58562-04	AE-58562-04	AE-58562-04
4		Back Base Pan	AS-58607-64	AS-58607-64	AS-58607-64	AS-58607-64
5		Blower Shelf	AS-58630-01	AS-58630-01	AS-58630-01	AS-58630-01
6		Blower Shelf Transition	AS-58607-19	AS-58607-19	AS-58607-19	AS-58607-19
7		Divider Panel	AS-58607-03	AS-58607-03	AS-58607-03	AS-58607-03
8		Bulkhead Assembly	AS-58607-55	AS-58607-57	AS-58607-57	AS-58607-57
9		Exhaust Hood	AS-58629-01H	AS-58629-01H	AS-58629-01H	AS-58629-01H
10		Combustion Air Inlet Hood	AS-58599-01H	AS-58599-01H	AS-58599-01H	AS-58599-01H
11		Corner Post	AS-58607-40H	AS-58607-46H	AS-58607-46H	AS-58607-46H
12		Blower Access Panel	AS-58607-09H	AS-58607-47H	AS-58607-47H	AS-58607-47H
13		End Panel	AS-58607-04H	AS-58607-48H	AS-58607-48H	AS-58607-48H
14		Supply Cover - Side Option BVA	AS-58607-35H	AS-58607-35H	AS-58607-35H	AS-58607-35H
15		Return Cover - Side Option BVA	AS-58607-34H	AS-58607-34H	AS-58607-34H	AS-58607-34H
16		Top Panel	AS-58607-58H	AS-58607-54H	AS-58607-54H	AS-58607-54H
17		Grille	95-100906-08	95-100906-08	95-100906-08	95-100906-08
18		Filter Access Panel	AS-58607-08H	AS-58607-49H	AS-58607-49H	AS-58607-49H
19		Condenser Louver Panel	AS-58607-61H	AS-58607-56H	AS-58607-56H	AS-58607-56H
20		Center Post	AS-58569-05H	AS-58569-07H	AS-58569-07H	AS-58569-07H
21		Control Access Panel	AS-58607-20H	AS-58607-50H	AS-58607-50H	AS-58607-50H
22		Control Box (w/o components)	AE-58597-01	AE-58597-01	AE-58597-01	AE-58597-01
23		Control Box Cover	AE-58598-01	AE-58598-01	AE-58598-01	AE-58598-01
24		Furnace Shelf	AS-58607-66	AS-58607-66	AS-58607-66	AS-58607-66
25		Burner Floor	AE-58594-01	AE-58594-01	AE-58594-01	AE-58594-01
26		Exhaust Transition	AS-58607-36	AS-58607-36	AS-58607-36	AS-58607-36
27		Bulkhead Valve (2)	61-22369-04	61-22369-04	61-22369-04	61-22369-04
28		Bulkhead Valve Locknut (2)	63-22368-01	63-22368-01	63-22368-01	63-22368-01
		Bulkhead Valve Cap (2)	83-100635-01	83-100635-01	83-100635-01	83-100635-01
		Heat Exchanger Tube Support	AE-58590-01	AE-58590-01	AE-58590-01	AE-58590-01
		Grommet - Gas Supply Piping	56-22114-01	56-22114-01	56-22114-01	56-22114-01

No.	Notes	MODEL COOLING CAPACITY MAJOR SERIES ELECTRICAL DESIGNATION	RGEA16	RGEA16	RGEA16	RGEA16	RGEA16	
			024 A J	036 A C	036 A J	048 A C	048 A J	
ELECTRICAL GROUP								
31	Stk	Induced Draft Blower w/Gasket	70-23641-04	70-23641-04	70-23641-04	70-23641-04	70-23641-04	
	Stk	Gasket - Induced Draft Blower	68-23643-01	68-23643-01	68-23643-01	68-23643-01	68-23643-01	
32	Stk	Comfort Alert Module	42-101504-05	42-101504-03	42-101504-05	42-101504-03	42-101504-05	
33	Stk	Contactora	42-102664-06	42-102664-08	42-102664-06	42-102664-08	42-102664-06	
34	Stk	Pressure Switch	42-24335-20	42-24335-20	42-24335-20	42-24335-20	42-24335-20	
35	Stk	Transformer	46-101904-02	46-18788-05	46-101904-02	46-18788-05	46-101904-02	
36		Ground Lug	45-19000-01	45-19000-01	45-19000-01	45-19000-01	45-19000-01	
39		Integrated Furnace Control Board (IFC)	See Gas Controls					
73		Capacitor - Compressor/Fan	See Compressor Group					
84		Limit Control - Blower Shelf	See Heat Exchanger-Burner Group					
88		Limit Control - Roll Out	See Heat Exchanger-Burner Group					
		Compressor Wiring Harness (Line Voltage - Molded Plug)	See Compressor Group					
		Compressor Wiring Harness (Low Voltage - Molded Plug)	See Compressor Group					
		Capacitor Adaptor Plate (2 in. round capacitor)	AE-54609-01	AE-54609-01	AE-54609-01	AE-54609-01	AE-54609-01	
		Capacitor Adaptor Plate (2 in. X 1-1/4 in. oval capacitor)	AE-54609-02	AE-54609-02	AE-54609-02	AE-54609-02	AE-54609-02	
2		Wiring Harness (IFC) - 12 pin to 11 insulated terminals (See Note 2)	45-103569-07	45-103569-07	45-103569-07	45-103569-07	45-103569-07	
	2	Leadwire - from Flame Sensor to 12 pin Wiring Harness Plug (See Note 2)	45-25323-02	45-25323-02	45-25323-02	45-25323-02	45-25323-02	
		Wiring Harness - 3 pin from Gas Valve to 3 insulated terminals	45-103569-06	45-103569-06	45-103569-06	45-103569-06	45-103569-06	
		Wiring Harness (ECM Motor) - 16 pin to 16 pin insulated terminals	45-24258-10	45-24258-10	45-24258-10	45-24258-10	45-24258-10	
		Wiring Harness (ECM Motor) - 5 pin insulated terminals to two quick connect and one ring terminal.	45-24258-12	45-24258-12	45-24258-12	45-24258-12	45-24258-12	
	Stk	ECM Interface Control Board (In Blower Compartment)	62-24340-03	62-24340-03	62-24340-03	62-24340-03	62-24340-03	

No.	Notes	MODEL COOLING CAPACITY MAJOR SERIES ELECTRICAL DESIGNATION	RGEA16	RGEA16				
			060 A C	060 A J				
ELECTRICAL GROUP								
31	Stk	Induced Draft Blower w/Gasket	70-23641-04	70-23641-04				
	Stk	Gasket - Induced Draft Blower	68-23643-01	68-23643-01				
32	Stk	Comfort Alert Module	42-101504-03	42-101504-05				
33	Stk	Contactora	42-24335-20	42-24335-20				
34	Stk	Pressure Switch	42-24335-20	42-24335-20				
35	Stk	Transformer	46-101904-02	46-101904-02				
36		Ground Lug	45-19000-01	45-19000-01				
39		Integrated Furnace Control Board (IFC)	See Gas Controls					
73		Capacitor - Compressor/Fan	See Compressor Group					
84		Limit Control - Blower Shelf	See Heat Exchanger-Burner Group					
88		Limit Control - Roll Out	See Heat Exchanger-Burner Group					
		Compressor Wiring Harness (Molded Plug)	See Compressor Group					
		Capacitor Adaptor Plate (2 in. round capacitor)	AE-54609-01	AE-54609-01				
		Capacitor Adaptor Plate (2 in. X 1-1/4 in. oval capacitor)	AE-54609-02	AE-54609-02				
2		Wiring Harness (IFC) - 12 pin to 11 insulated terminals (See Note 2)	45-103569-07	45-103569-07				
	2	Leadwire - from Flame Sensor to 12 pin Wiring Harness Plug (See Note 2)	45-25323-02	45-25323-02				
		Wiring Harness - 3 pin from Gas Valve to 3 insulated terminals	45-103569-06	45-103569-06				
		Wiring Harness (ECM Motor) - 16 pin to 16 pin insulated terminals	45-24258-10	45-24258-10				
		Wiring Harness (ECM Motor) - 5 pin insulated terminals to two quick connect and one ring terminal.	45-24258-12	45-24258-12				
	Stk	ECM Interface Control Board (In Blower Compartment)	62-24340-03	62-24340-03				

No.	Notes	MODEL COOLING CAPACITY MAJOR SERIES ELECTRICAL DESIGNATION	RGEA16 024 A J	RGEA16 036 A J	RGEA16 048 A J	RGEA16 060 A J
FAN GROUP						
37	Stk	Fan Motor	51-100998-27	51-100998-27	51-100999-24	51-100998-19
38		Fan Blade	70-101323-21	70-101323-21	70-23594-02	70-23594-02
73	Stk	Capacitor - Compressor/Fan	See Compressor Group			

No.	Notes	MODEL COOLING CAPACITY MAJOR SERIES ELECTRICAL DESIGNATION	RGEA16 036 A C	RGEA16 048 A C	RGEA16 060 A C	
FAN GROUP						
37	Stk	Fan Motor	51-100998-27	51-100999-24	51-100998-19	
38	Stk	Fan Blade	70-101323-21	70-23594-02	70-23594-02	
73	Stk	Capacitor - Fan Motor	43-100496-03	43-100496-03	43-100496-12	

No.	Notes	MODEL COOLING CAPACITY MAJOR SERIES ELECTRICAL DESIGNATION	RGEA16 024 A J	RGEA16 036 A J	RGEA16 048 A J	RGEA16 060 A J
BLOWER GROUP						
	Stk	Blower Assembly (Includes items 51-56)	AS-58662-78	AS-58662-79	AS-58662-81	AS-58662-82
51		Housing	AS-58619-02	AS-58619-02	AS-58619-02	N/A
51		Housing w/Wheel	N/A	N/A	N/A	70-100840-02
51a		Transition	N/A	N/A	N/A	AE-102207-05
51b		Transition - Back	N/A	N/A	N/A	AE-102207-06
52	Stk	Blower Wheel	70-18625-03	70-18625-03	70-18625-03	703016
53		Cut-Off	AE-64401-06	AE-64401-06	AE-64401-06	N/A
54	Stk	Blower Motor	51-104304-60	51-104304-61	51-104305-61	51-104306-60
55		Motor Band	70-19927-03	70-19927-03	70-19927-03	70-19927-03
56		Motor Arm Assembly (3)	70-19929-09	70-19929-09	70-19929-09	70-19929-09
		ECM Interface Control Board (In Blower Compartment)	See Electrical Group			

No.	Notes	MODEL COOLING CAPACITY MAJOR SERIES ELECTRICAL DESIGNATION	RGEA16 036 A C	RGEA16 048 A C	RGEA16 060 A C	
BLOWER GROUP						
	Stk	Blower Assembly (Includes items 51-56)	AS-58662-79	AS-58662-81	AS-58662-82	
51		Housing	AS-58619-02	AS-58619-02	N/A	
51		Housing w/Wheel	N/A	N/A	70-100840-02	
51a		Transition	N/A	N/A	AE-102207-05	
51b		Transition - Back	N/A	N/A	AE-102207-06	
52	Stk	Blower Wheel	70-18625-03	70-18625-03	703016	
53		Cut-Off	AE-64401-06	AE-64401-06	N/A	
54	Stk	Blower Motor	51-104304-61	51-104305-61	51-104306-60	
55		Motor Band	70-19927-03	70-19927-03	70-19927-03	
56		Motor Arm Assembly (3)	70-19929-09	70-19929-09	70-19929-09	
		ECM Interface Control Board (In Blower Compartment)	See Electrical Group			

No.	Notes	MODEL COOLING CAPACITY MAJOR SERIES	RGEA16 024 A	RGEA16 036 A	RGEA16 048 A	RGEA16 060 A
COIL GROUP						
CONDENSER COIL:						
61	Stk	Condenser Coil	AS-102390-03	AS-102386-03	AS-102386-03	AS-102386-03
		Distributor - Inner Coil (024, 2 Way/036 - 060, 3 Way)	83-19988-01	83-17467-06	83-17467-06	83-17467-06
		Distributor - Outer Coil (3 Way)	N/A	83-17467-07	83-17467-07	83-17467-07
		Access Valve Body (2)	61-18542-01	61-18542-01	61-18542-01	61-18542-01
		Access Valve Core (2)	61-18551-01	61-18551-01	61-18551-01	61-18551-01
EVAPORATOR COIL:						
62	Stk	Evaporator Coil w/Drain Pan	AS-102660-09	AS-102660-08	AS-102660-01	AS-102660-01
62	Stk	Evaporator Coil w/Drain Pan (Tin Plated)	AS-104668-09	AS-104668-08	AS-104668-01	AS-104668-01
63		Drain Pan Grommet	56-23601-01	56-23601-01	56-23601-01	56-23601-01
64	Stk	Drain Pan	68-23602-02	68-23602-02	68-23602-02	68-23602-02
64a		Drain Trap (Attached to Drain Pan)	68-23603-01	68-23603-01	68-23603-01	68-23603-01
65		Auxiliary Drain Pipe	AE-58611-01	AE-58611-01	AE-58611-01	AE-58611-01
66	Stk	Flowcheck Distributor/Piston Assembly	61-102103-12	61-102104-14	61-102108-17	61-102108-17
67	Stk	TXV	61-102211-01	61-102211-23	61-102211-23	61-102211-25
68		Condensate Shield	AE-101751-01	AE-101751-02	AE-101751-02	AE-101751-02
68a		Condensate Barrier	AE-100544-01	AE-100544-02	AE-100544-02	AE-100544-02

No.	Notes	MODEL COOLING CAPACITY MAJOR SERIES ELECTRICAL DESIGNATION	RGEA16	RGEA16	RGEA16	RGEA16
			024 A J	036 A J	048 A J	060 A J
COMPRESSOR GROUP						
		Compressor ID:	9074	9076	9078	9080
71	Stk	Compressor	55-23156-35S	55-23156-36S	55-23156-37S	55-23156-38S
72		Grommet (4)	56-18518-04	56-18518-04	56-18518-06	56-18518-06
73	Stk	Capacitor - Compressor/Fan	43-101665-44	43-101665-26	43-101665-40	43-101665-36
74		Start Capacitor	43-17075-04	43-17075-04	43-17075-04	43-17075-04
75		Start Relay	42-100491-26	42-100491-26	42-100491-26	42-100491-26
76		High Pressure Control	47-102290-01	47-102290-01	47-102290-01	47-102290-01
77		Low Pressure Control	47-101529-09	47-101529-09	47-101529-09	47-101529-09
78	Stk	Filter Drier - Liquid Line	83-22755-05	83-22755-05	83-22755-05	83-22755-05
	Stk	Compressor Wiring Harness (Molded Plug)	45-100834-80	45-100834-80	45-100834-80	45-100834-80
	Stk	Compressor Wiring Harness (Low Voltage - Molded Plug)	45-101723-01	45-101723-01	45-101723-01	45-101723-01

No.	Notes	MODEL COOLING CAPACITY MAJOR SERIES ELECTRICAL DESIGNATION	RGEA16	RGEA16	RGEA16	
			036 A C	048 A C	060 A C	
COMPRESSOR GROUP						
		Compressor ID:	9075	9077	9079	
71	Stk	Compressor	55-23156-39S	55-23156-40S	55-23156-13S	
72		Grommet (4)	56-18518-04	56-18518-06	56-18518-06	
76		High Pressure Control	47-102290-01	47-102290-01	47-102290-01	
77		Low Pressure Control	47-101529-09	47-101529-09	47-101529-09	
78	Stk	Filter Drier - Liquid Line	83-22755-05	83-22755-05	83-22755-05	
	Stk	Compressor Wiring Harness (Line Voltage - Molded Plug)	45-100834-80	45-100834-80	45-100834-80	
	Stk	Compressor Wiring Harness (Low Voltage - Molded Plug)	45-101723-01	45-101723-01	45-101723-01	

No.	Notes	MODEL	RGEA16	RGEA16	RGEA16	RGEA16	RGEA16	RGEA16	RGEA16
		COOLING CAPACITY	024	036	036	036	036	036	036
		MAJOR SERIES	A	A	A	A	A	A	A
		ELECTRICAL DESIGNATION	J	J	J	J	C	C	C
		DRIVE PACKAGE	V	V	V	V	V	V	V
		HEATING CAPACITY	06	06	08	10	06	08	10
		HEAT CONFIGURATION	2,T	2,T	2,T	2,T	2	2	2
HEAT EXCHANGER, BURNER / MANIFOLD									
81	Stk	Heat Exchanger (Includes Center Panel and Turbulators)	AS-58632-06	AS-58632-06	AS-58632-07	AS-58632-08	AS-58632-06	AS-58632-07	AS-58632-08
82		Turbulators	AE-58591-02 (3)	AE-58591-02 (3)	AE-58591-02 (4)	AE-58591-02 (5)	AE-58591-02 (3)	AE-58591-02 (4)	AE-58591-02 (5)
83		Collector Box	AE-58588-01	AE-58588-01	AE-58588-01	AE-58588-01	AE-58588-01	AE-58588-01	AE-58588-01
		Collector Box Gasket	68-23644-01	68-23644-01	68-23644-01	68-23644-01	68-23644-01	68-23644-01	68-23644-01
84	Stk	Limit Control - Blower Shelf	47-102436-03	47-102436-04	47-102436-04	47-102436-06	47-102436-04	47-102436-04	47-102436-06
85		NOX Insert Assembly	75-23684-01 (3)	75-23684-01 (3)	75-23684-01 (4)	75-23684-01 (5)	N/A	N/A	N/A
86		Lower Burner Shield (NOX)	AE-59148-01	AE-59148-01	AE-59148-01	AE-59148-01	N/A	N/A	N/A
87		Radiation Shield	AE-58595-01	AE-58595-01	AE-58595-01	AE-58595-01	AE-58595-01	AE-58595-01	AE-58595-01
88	Stk,3	Limit - Manual Reset (Burner Compartment)	47-22861-02	47-22861-02	47-22861-02	47-22861-02	47-22861-02	47-22861-02	47-22861-02
89	Stk,3	Burner Assembly (One-piece)	AS-60993-03	AS-60993-03	AS-60993-04	AS-60993-05	AS-60993-03	AS-60993-04	AS-60993-05
90	3	Burner Support Bracket (2)	AE-61588-02	AE-61588-02	AE-61588-02	AE-61588-02	AE-61588-02	AE-61588-02	AE-61588-02
91	3	Burner Support - (Holds Burners between Burner Support Brackets)	AE-102438-01	AE-102438-01	AE-102438-01	AE-102438-01	AE-102438-01	AE-102438-01	AE-102438-01
92		Manifold Assembly	81-101154-01	81-101154-01	81-101154-01	81-101154-01	81-101154-01	81-101154-01	81-101154-01
93		Burner Orifice - Natural Gas	See Orifice Selection Chart						
93		Burner Orifice - LP	See Orifice Selection Chart						
93		Number of Orifices	(3)	(3)	(4)	(5)	(3)	(4)	(5)
94		Square Head Plug (Used on Manifold to plug extra holes)	81-23593-01 (2)	81-23593-01 (2)	81-23593-01 (1)	N/A	81-23593-01 (2)	81-23593-01 (2)	N/A
95	Stk	Flame Sensor	62-23543-02	62-23543-02	62-23543-02	62-23543-02	62-23543-02	62-23543-02	62-23543-02
96	Stk	Ignition Electrode/Cable Assembly	62-23556-11	62-23556-11	62-23556-11	62-23556-11	62-23556-11	62-23556-11	62-23556-11
97	3	Bushing	45-42519-01	45-42519-01	45-42519-01	45-42519-01	45-42519-01	45-42519-01	45-42519-01

No.	Notes	MODEL	RGEA16	RGEA16	RGEA16	RGEA16	RGEA16	RGEA16	
		COOLING CAPACITY	048	048	048	048	060	060	
		MAJOR SERIES	A	A	A	A	A	A	
		ELECTRICAL DESIGNATION	J	J	C	C	J	C	
		DRIVE PACKAGE	V	V	V	V	V	V	
		HEATING CAPACITY	08	10	08	10	10	10	
		HEAT CONFIGURATION	2,T	2,T	2	2	2,T	2	
HEAT EXCHANGER, BURNER / MANIFOLD									
81	Stk	Heat Exchanger (Includes Center Panel and Turbulators)	AS-58632-07	AS-58632-08	AS-58632-07	AS-58632-08	AS-58632-08	AS-58632-08	
82		Turbulators	AE-58591-02 (4)	AE-58591-02 (5)	AE-58591-02 (4)	AE-58591-02 (5)	AE-58591-02 (5)	AE-58591-02 (5)	
83		Collector Box	AE-58588-01	AE-58588-01	AE-58588-01	AE-58588-01	AE-58588-01	AE-58588-01	
		Collector Box Gasket	68-23644-01	68-23644-01	68-23644-01	68-23644-01	68-23644-01	68-23644-01	
84	Stk	Limit Control - Blower Shelf	47-102436-04	47-102436-06	47-102436-04	47-102436-06	47-102436-06	47-102436-06	
85		NOX Insert Assembly	75-23684-01 (4)	75-23684-01 (5)	N/A	N/A	75-23684-01 (5)	N/A	
86		Lower Burner Shield (NOX)	AE-59148-01	AE-59148-01	N/A	N/A	AE-59148-01	N/A	
87		Radiation Shield	AE-58595-01	AE-58595-01	AE-58595-01	AE-58595-01	AE-58595-01	AE-58595-01	
88	Stk,3	Limit - Manual Reset (Burner Compartment)	47-22861-02	47-22861-02	47-22861-02	47-22861-02	47-22861-02	47-22861-02	
89	Stk,3	Burner Assembly (One-piece)	AS-60993-04	AS-60993-05	AS-60993-04	AS-60993-05	AS-60993-05	AS-60993-05	
90	3	Burner Support Bracket (2)	AE-61588-02	AE-61588-02	AE-61588-02	AE-61588-02	AE-61588-02	AE-61588-02	
91	3	Burner Support - (Holds Burners between Burner Support Brackets)	AE-102438-01	AE-102438-01	AE-102438-01	AE-102438-01	AE-102438-01	AE-102438-01	
92		Manifold Assembly	81-101154-01	81-101154-01	81-101154-01	81-101154-01	81-101154-01	81-101154-01	
93		Burner Orifice - Natural Gas	See Orifice Selection Chart						
93		Burner Orifice - LP	See Orifice Selection Chart						
93		Number of Orifices	(4)	(5)	(4)	(5)	(5)	(5)	
94		Square Head Plug (Used on Manifold to plug extra holes)	81-23593-01 (1)	N/A	81-23593-01 (1)	N/A	N/A	N/A	
95	Stk	Flame Sensor	62-23543-02	62-23543-02	62-23543-02	62-23543-02	62-23543-02	62-23543-02	
96	Stk	Ignition Electrode/Cable Assembly	62-23556-11	62-23556-11	62-23556-11	62-23556-11	62-23556-11	62-23556-11	
97	3	Bushing	45-42519-01	45-42519-01	45-42519-01	45-42519-01	45-42519-01	45-42519-01	

No.	Notes	MODEL MAJOR SERIES GAS CODE	RGEA16 A 2T
GAS CONTROLS			
39	Stk	Integrated Furnace Control Board (IFC)	62-102860-04
	Stk	Gas Valve - Natural Gas	60-101921-06
	Stk,1	Gas Valve - LP	See Note 1
	Stk	LP Conversion Kit	FP-35

No.	Notes	MODEL VARIATIONS	RGEA16 ALL
OPTIONS AND ACCESSORIES			
		Economizer - Downflow, 3 Position	AXRE-CAA30
		Economizer - Downflow, Fully Modulating	AXRD-CAM10
		Economizer - Horizontal, 3 Position	AXRE-CCA30
		Economizer - Horizontal, Fully Modulating	AXRD-CCM10
		Fresh Air Damper - Fixed, 35%	AXRF-FAA1
		Fresh Air Damper - Motorized, 35%	AXRF-FAB1
		Low Ambient Control	RXRZ-B01
76		High Pressure Control	RXAB-E01
77		Low Pressure Control	RXAC-C01

PACKAGE EQUIPMENT - ORIFICE SELECTION CHART - NATURAL GAS

CAUTION: Selection of the correct Natural Gas Orifice requires the following information for the specific installation:

- 1) Furnace Input Rating (BTU/HR)
- 2) Number of Burners
- 2) Altitude (ft.)

For detailed information and instructions for Orifice selection, see the Gas Furnace LP Conversion Kit Index 92-21519-47 and the latest edition of the National Fuel Gas Code Handbook, or the National Standard of Canada, Natural Gas and Propane Installation Code, CAN B149.1.

CAUTION: This information is provided for replacement purposes only. Conversion for operation at High Altitude must be done using the kit specified on the product specification sheet for the unit.

NOTE: This Orifice sizing chart is based on a Natural Gas heating value of 1075 BTU/cu. ft and a pressure setting of 3.5 in. water column.

NOTE: Factory installed orifices are calculated and sized based on a Natural Gas heating value of 1075 BTU/cu. ft. and an elevation of 0 - 2000 ft.

Furnace Input Rating (BTU/HR)	Canadian High Altitude Derated Input (BTU/HR)	Number of Burners	Elevation (ft.)					
			Country					
			0 - 2000 U.S.	2001 - 4000 U.S.	4001 - 6000 U.S.	8000+ U.S.	0 - 2000 Canada	2001 - 4500 Canada
40,000	36,000	2	62-22175-45	62-22175-47	62-22175-48	62-22175-49	62-22175-45	62-22175-15
60,000	54,000	3	62-22175-45	62-22175-47	62-22175-48	62-22175-49	62-22175-45	62-22175-15
72,000	N/A	4	62-22175-15	62-22175-49	62-22175-50	62-22175-51	62-22175-15	N/A
80,000	72,000	4	62-22175-45	62-22175-47	62-22175-48	62-22175-49	62-22175-45	62-22175-15
90,000	N/A	5	62-22175-15	62-22175-49	62-22175-50	62-22175-51	62-22175-15	N/A
100,000	90,000	5	62-22175-45	62-22175-47	62-22175-48	62-22175-49	62-22175-45	62-22175-15
120,000	108,000	6	62-22175-45	62-22175-47	62-22175-48	62-22175-49	62-22175-45	62-22175-15
135,000	121,500	6	62-22175-44	62-22175-45	62-22175-47	62-22175-48	62-22175-44	62-22175-45
150,000	135,000	6	62-22175-42	62-22175-43	62-22175-44	62-22175-45	62-22175-42	62-22175-44
180,000	N/A	9	62-22175-45	62-22175-47	62-22175-48	62-22175-49	62-22175-45	N/A
210,000	N/A	9	62-22175-43	62-22175-44	62-22175-45	62-22175-47	62-22175-43	N/A
210,000	N/A	10	62-22175-45	62-22175-47	62-22175-48	62-22175-49	62-22175-45	N/A
225,000	202,500	9	62-22175-42	62-22175-43	62-22175-44	62-22175-45	62-22175-42	62-22175-44
250,000	225,000	10	62-22175-42	62-22175-43	62-22175-44	62-22175-45	62-22175-42	62-22175-44
252,000	225,000	9	62-22175-40	62-22175-42	62-22175-43	62-22175-44	62-22175-40	62-22175-42
252,000	N/A	12	62-22175-45	62-22175-47	62-22175-48	62-22175-49	62-22175-45	N/A
290,000	N/A	14	62-22175-45	62-22175-47	62-22175-48	62-22175-49	62-22175-45	N/A
300,000	270,000	12	62-22175-42	62-22175-43	62-22175-44	62-22175-45	62-22175-42	62-22175-44
330,000	N/A	14	62-22175-43	62-22175-44	62-22175-45	62-22175-47	62-22175-43	N/A
350,000	315,000	14	62-22175-42	62-22175-43	62-22175-44	62-22175-45	62-22175-42	62-22175-44
400,000	360,000	14	62-22175-40	62-22175-42	62-22175-43	62-22175-44	62-22175-40	62-22175-42

PACKAGE EQUIPMENT - ORIFICE SELECTION CHART - LP

CAUTION: Selection of the correct LP Orifice requires the following information for the specific installation:

- 1) Furnace Input Rating (BTU/HR)
- 2) Number of Burners
- 2) Altitude (ft.)

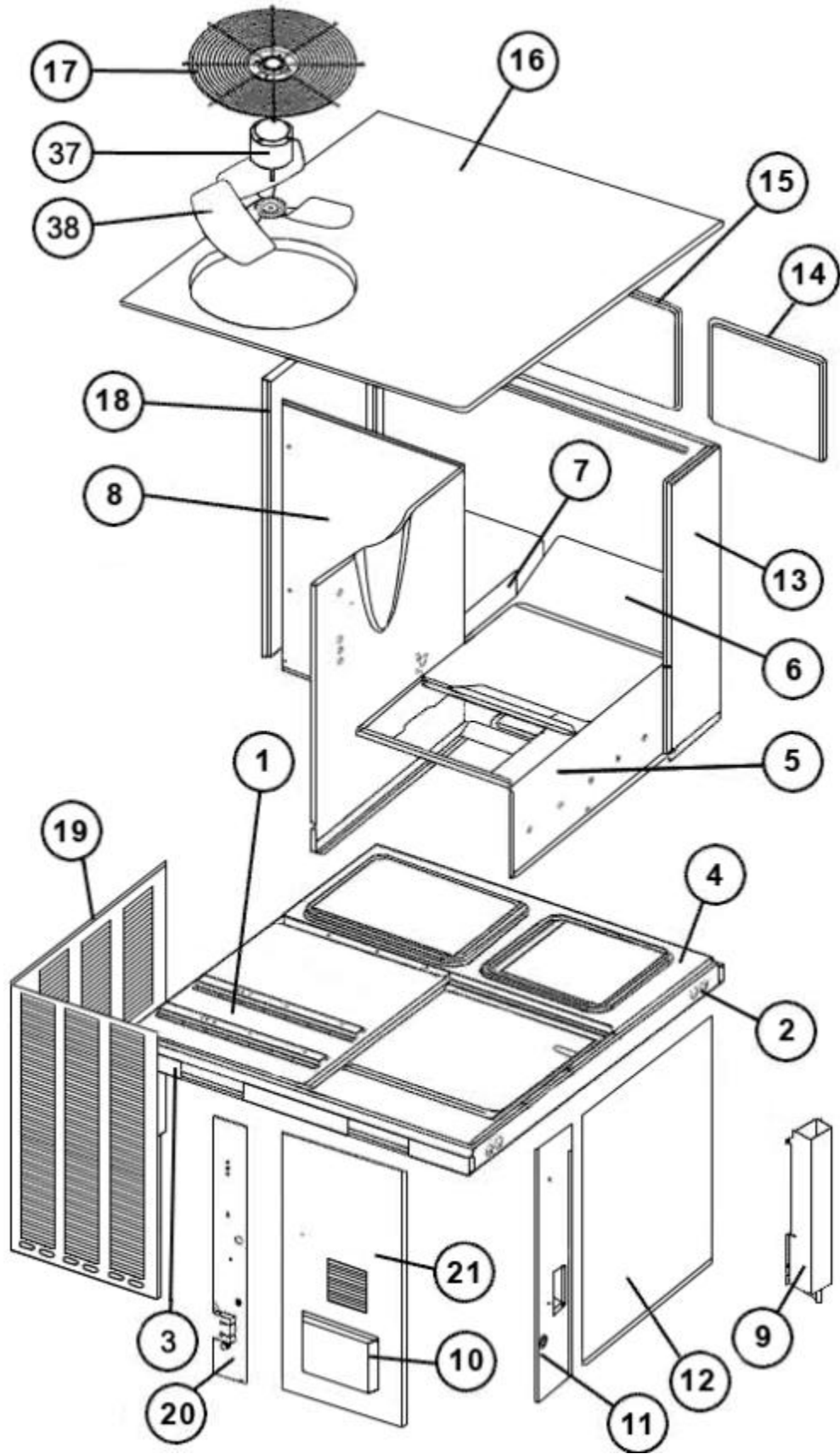
For detailed information and instructions for Orifice selection, see the Gas Furnace LP Conversion Kit Index 92-21519-47 and the latest edition of the National Fuel Gas Code Handbook, or the National Standard of Canada, Natural Gas and Propane Installation Code, CAN B149.1.

CAUTION: This information is provided for replacement purposes only. Conversion to LP or for operation at High Altitude should be done using the kit(s) specified on the product specification sheet for the unit.

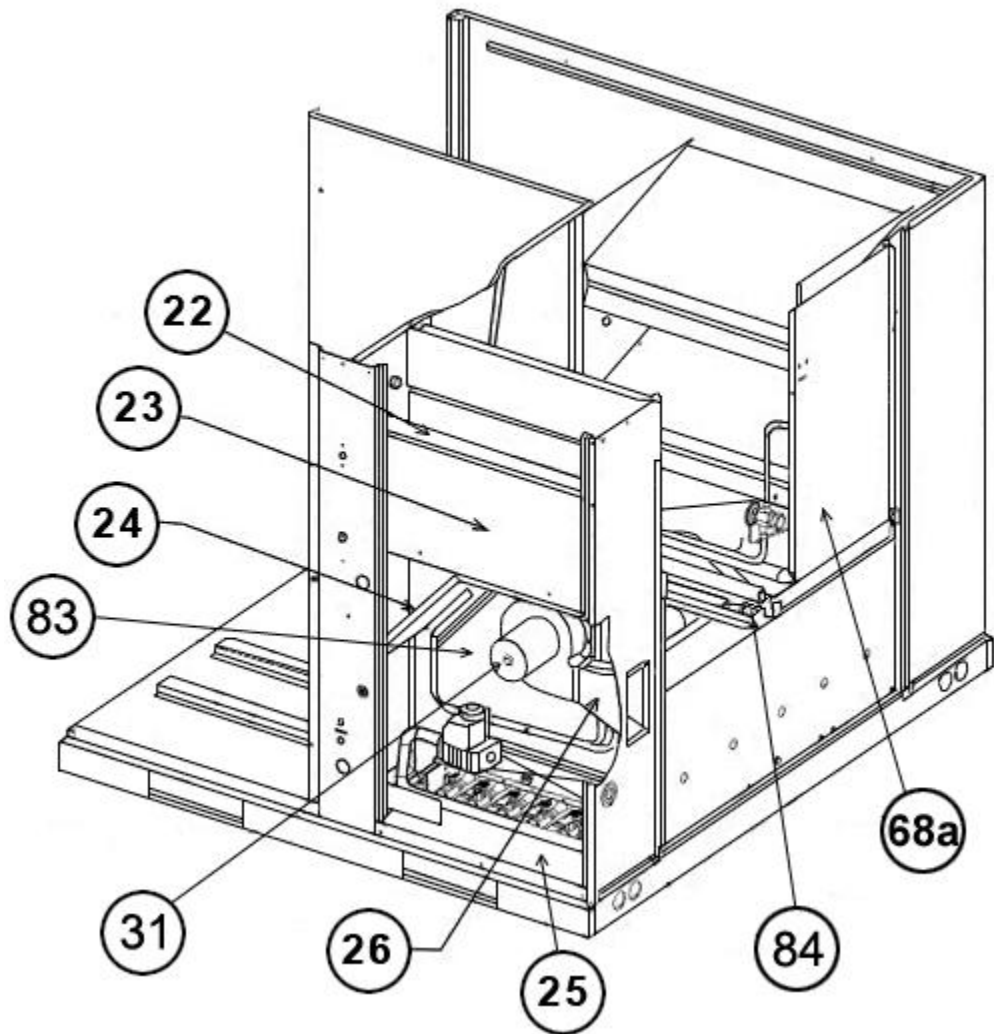
NOTE: This Orifice sizing chart is developed using the specified pressure setting of 10 in. water column instead of the 11.0 in water column used by the NFG and CANB149.1.

NOTE: Orifices supplied in the LP Conversion Kit are calculated and sized based on a heating value of 2500 BTU/cu. ft. and an elevation of 0 - 2000 ft.

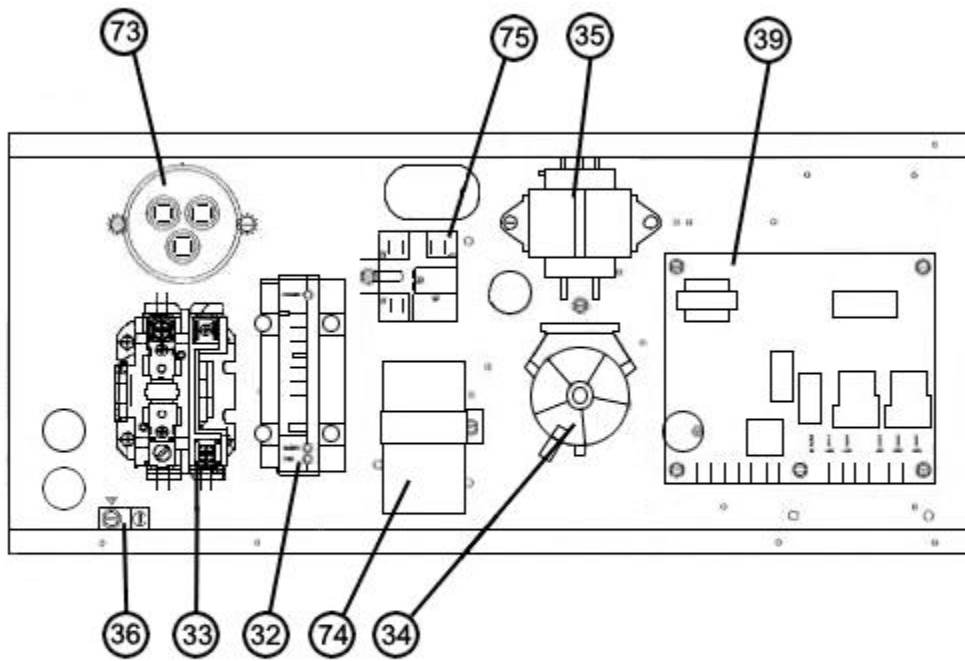
Furnace Input Rating (BTU/HR)	Canadian High Altitude Derated Input (BTU/HR)	Number of Burners	Elevation (ft.)					
			Country					
			0 - 2000 U.S.	2001 - 4000 U.S.	4001 - 6000 U.S.	8000+ U.S.	0 - 2000 Canada	2001 - 4500 Canada
40,000	36,000	2	62-22175-55	62-22175-55	62-22175-56	62-22175-56	62-22175-55	62-22175-13
60,000	54,000	3	62-22175-55	62-22175-55	62-22175-56	62-22175-56	62-22175-55	62-22175-13
72,000	N/A	4	62-22175-13	62-22175-57	62-22175-57	62-22175-59	62-22175-13	N/A
80,000	72,000	4	62-22175-55	62-22175-55	62-22175-56	62-22175-56	62-22175-55	62-22175-13
90,000	N/A	5	62-22175-13	62-22175-57	62-22175-57	62-22175-59	62-22175-13	N/A
100,000	90,000	5	62-22175-55	62-22175-55	62-22175-56	62-22175-56	62-22175-55	62-22175-13
120,000	108,000	6	62-22175-55	62-22175-55	62-22175-56	62-22175-56	62-22175-55	62-22175-13
135,000	121,500	6	62-22175-54	62-22175-55	62-22175-55	62-22175-56	62-22175-54	62-22175-55
150,000	135,000	6	62-22175-54	62-22175-55	62-22175-55	62-22175-56	62-22175-54	62-22175-54
180,000	N/A	9	62-22175-55	62-22175-55	62-22175-56	62-22175-56	62-22175-55	N/A
210,000	N/A	9	62-22175-54	62-22175-55	62-22175-55	62-22175-56	62-22175-54	N/A
210,000	N/A	10	62-22175-55	62-22175-55	62-22175-56	62-22175-56	62-22175-55	N/A
225,000	202,500	9	62-22175-54	62-22175-55	62-22175-55	62-22175-56	62-22175-54	62-22175-54
250,000	225,000	10	62-22175-54	62-22175-55	62-22175-55	62-22175-56	62-22175-54	62-22175-54
252,000	225,000	9	62-22175-53	62-22175-54	62-22175-54	62-22175-55	62-22175-53	62-22175-54
252,000	N/A	12	62-22175-55	62-22175-55	62-22175-56	62-22175-56	62-22175-55	N/A
290,000	N/A	14	62-22175-55	62-22175-55	62-22175-56	62-22175-56	62-22175-55	N/A
300,000	270,000	12	62-22175-54	62-22175-55	62-22175-55	62-22175-56	62-22175-54	62-22175-54
330,000	N/A	14	62-22175-54	62-22175-55	62-22175-55	62-22175-56	62-22175-54	N/A
350,000	315,000	14	62-22175-54	62-22175-55	62-22175-55	62-22175-56	62-22175-54	62-22175-54
400,000	360,000	14	62-22175-53	62-22175-54	62-22175-54	62-22175-55	62-22175-53	62-22175-54



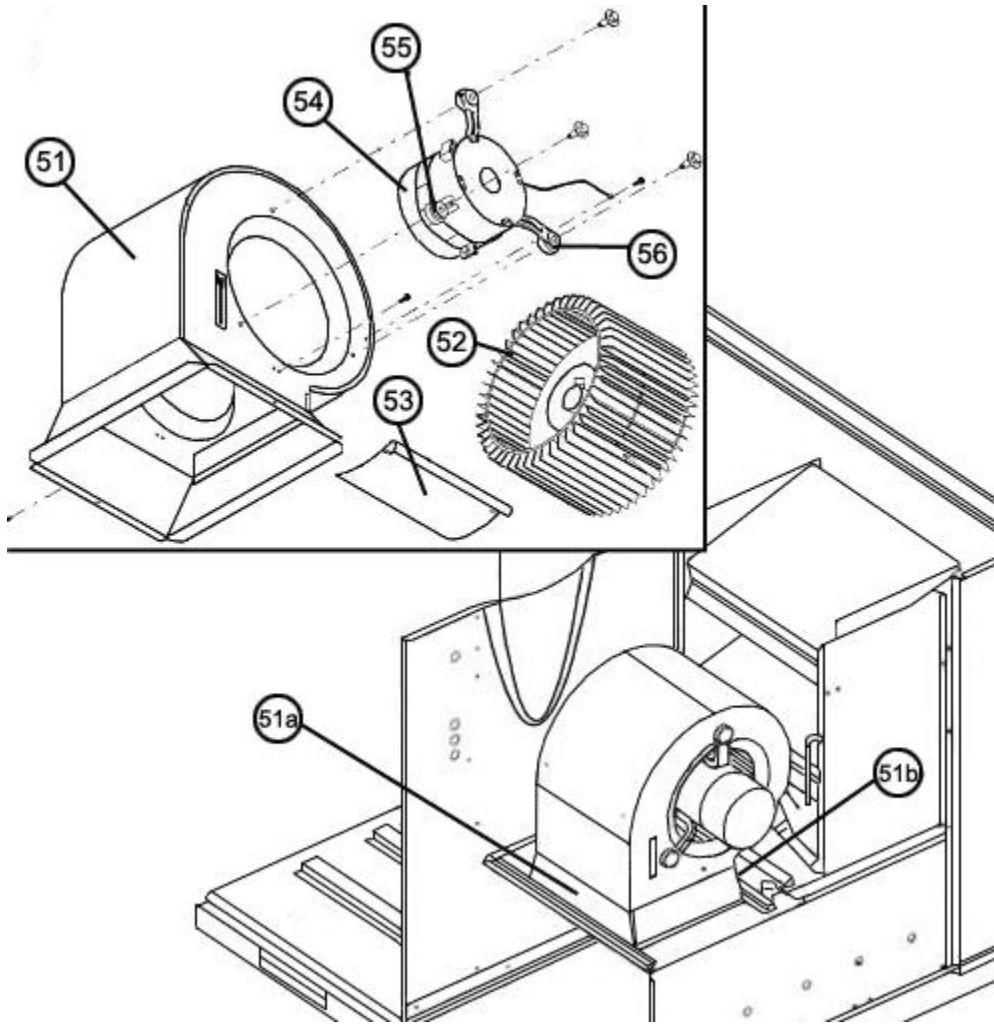
Exploded View



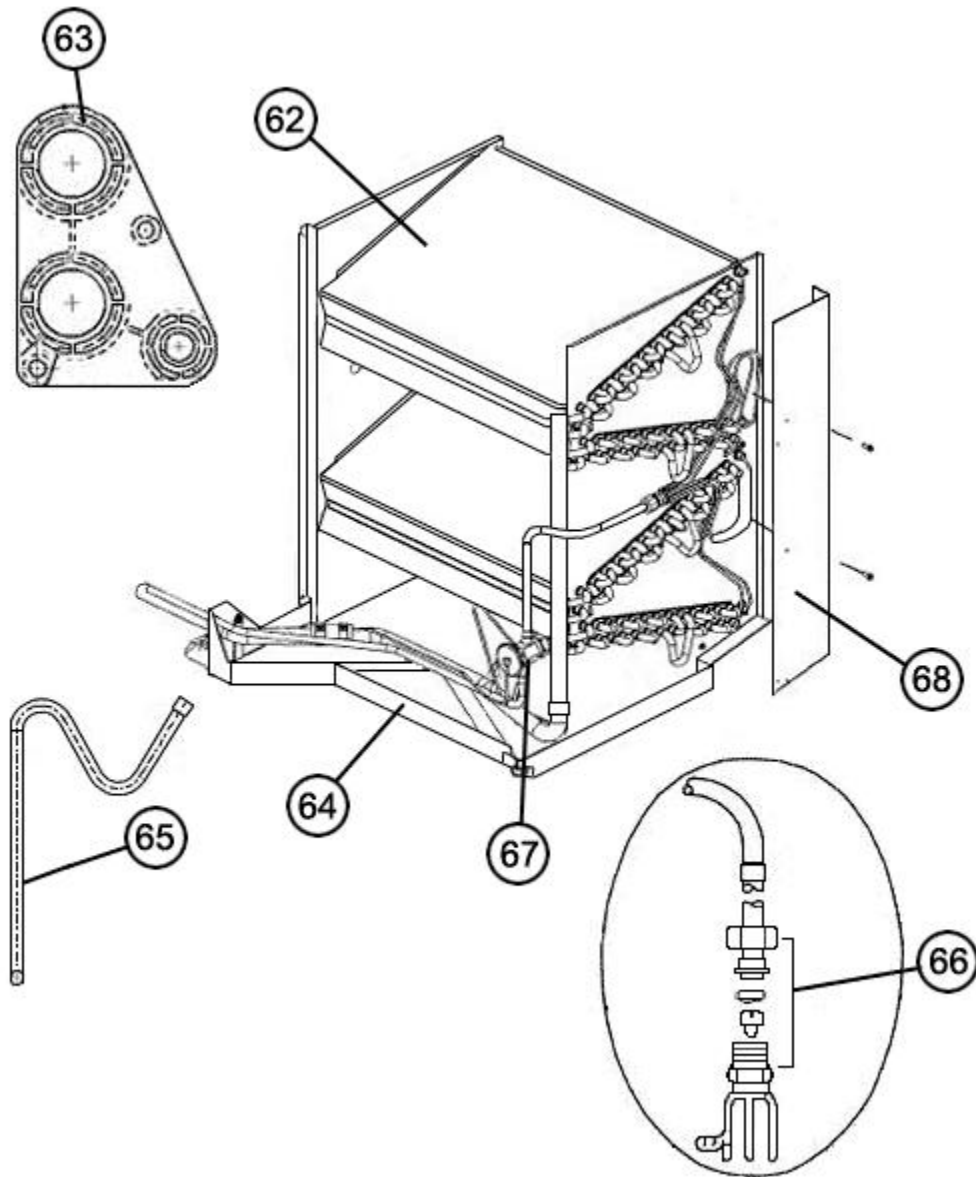
Control Access Panel Detail



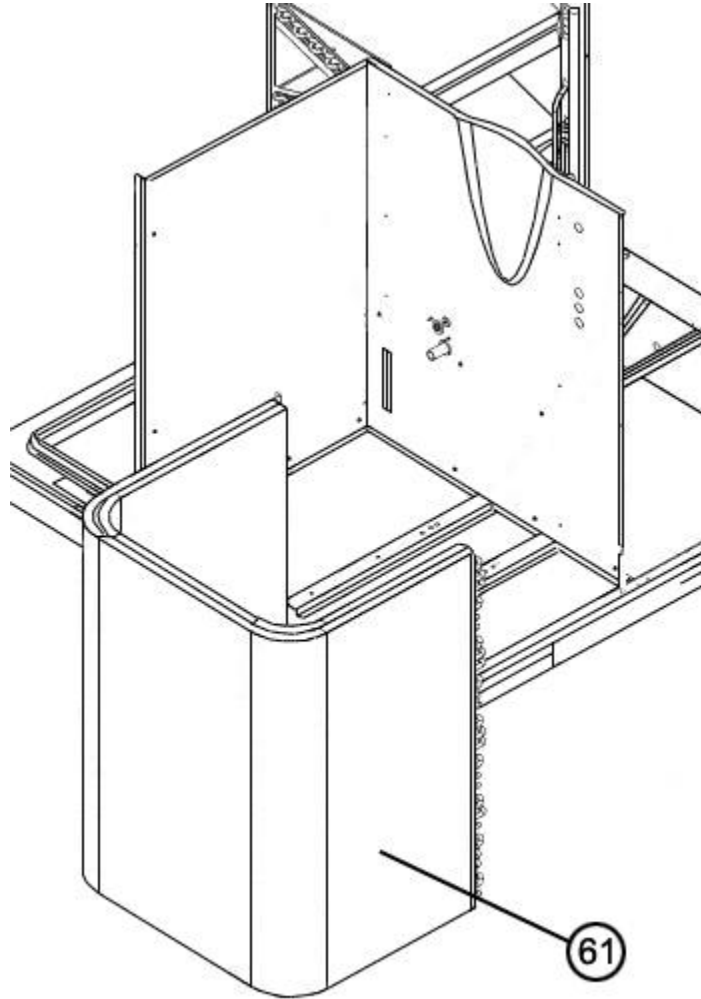
Electrical Control Box



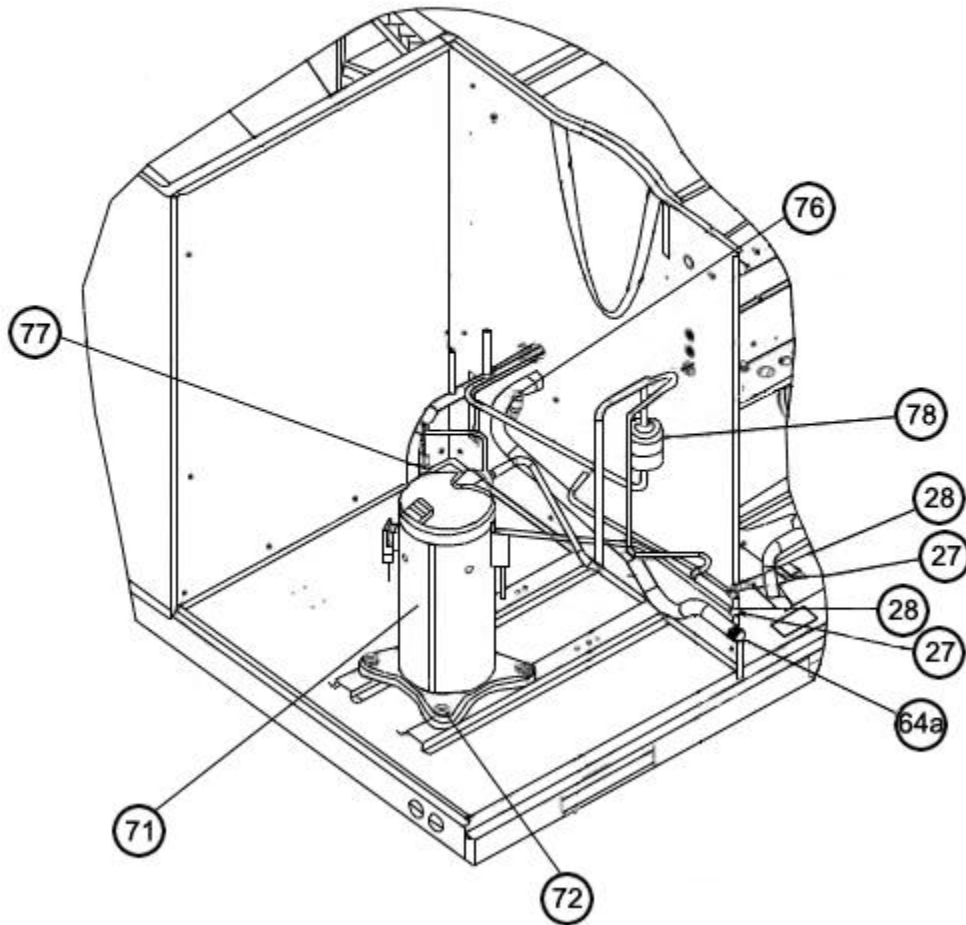
Blower Assembly



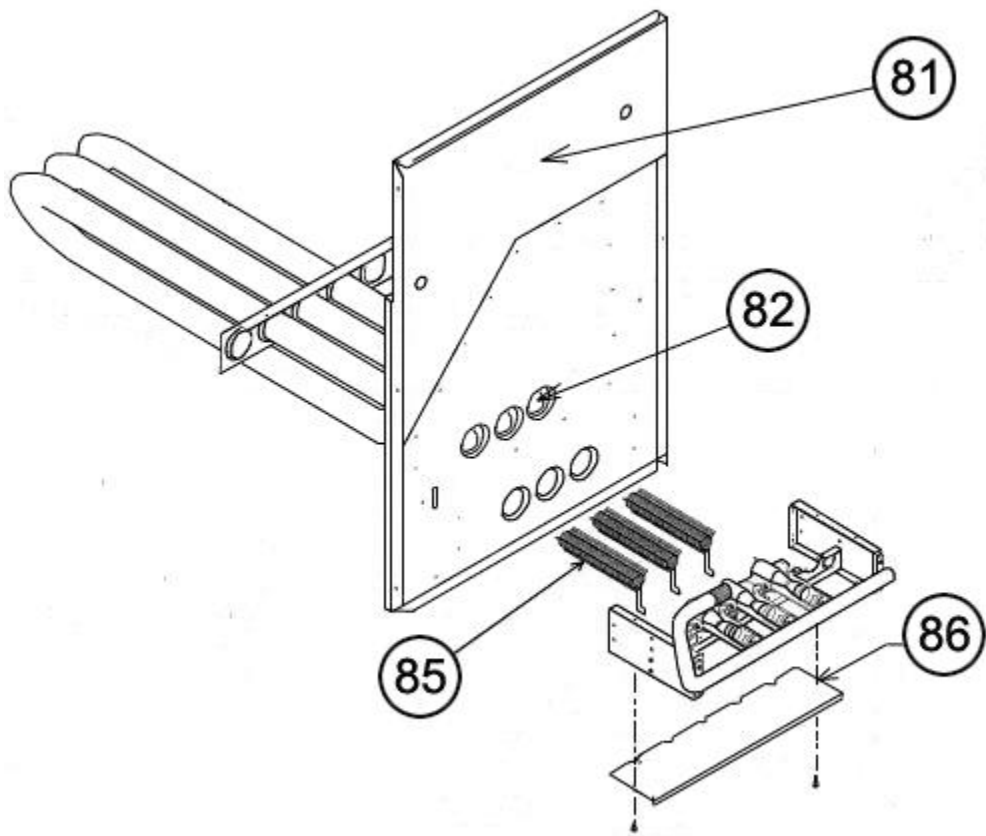
Evaporator Coil Assembly



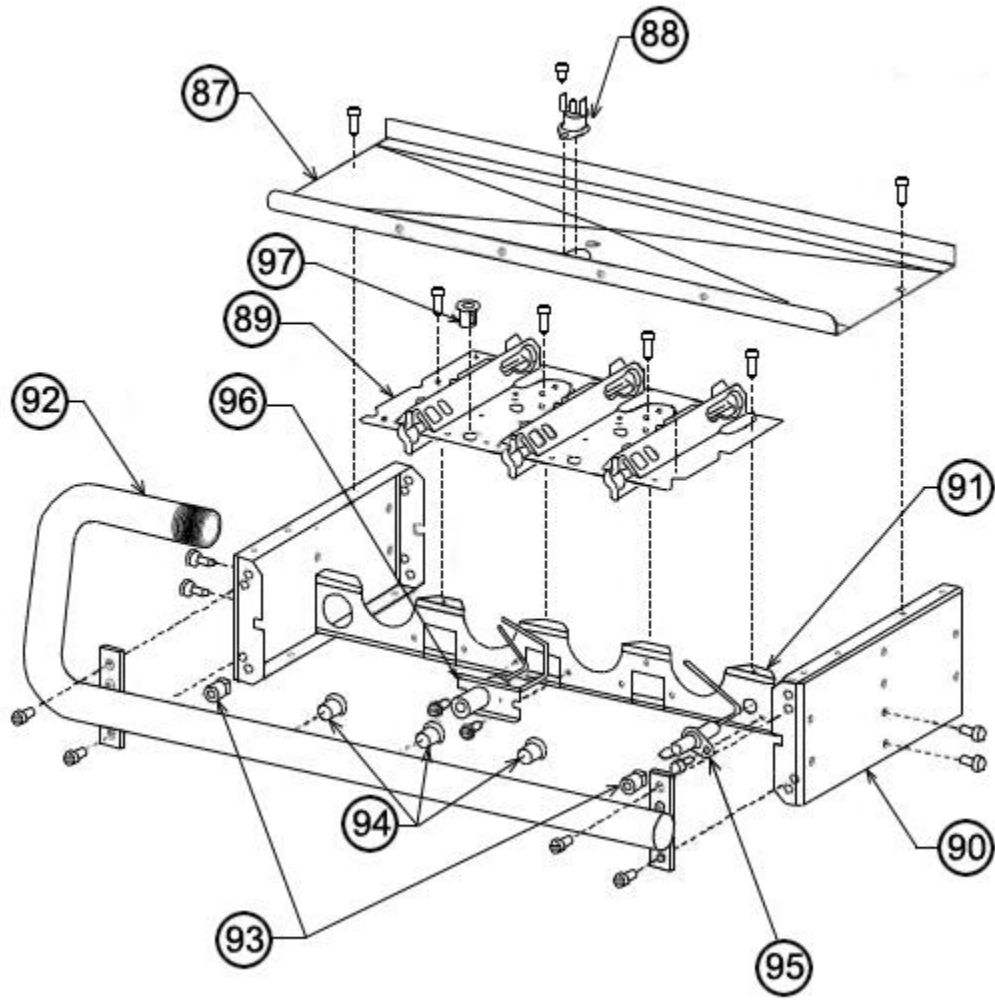
Condenser Coil



Compressor and Refrigeration Components



Heat Exchanger Assembly



Burner Assembly

NOTES

Stk It is recommended that stock be maintained for this part.

N/A Not Applicable

- 1 Order Gas Valve for Natural Gas along with LP Conversion Kit.
- 2 Flame sensor wire should be ordered along with 12 pin connector harness for connection from 12 pin connector to 1/4 inch quick connector on flame sensor.

DISCLAIMER: This document is intended to provide general replacement parts information to aid qualified service personnel in the repair of these models. The complete Model and Serial Number of the unit under repair should be specified when selecting and ordering replacement parts. Specifications and illustrations are subject to change without notice. Document 92-42800-RGEA16 supersedes all previous parts lists for these models. See <http://www.rheempartslists.net/92-42800-RGEA16> for the latest revision of this document. The manufacturer assumes no obligation for errors or omissions. Service personnel must verify the proper and safe operation of equipment after the replacement of any original components.