



RCTA

Parts List
12-May-2011



*This parts list is current as of the above revision date.
See <http://www.rheempartslists.net/92-42800-RCTA.pdf> for the current revision.*

Coils

Table of Contents

Model Explanation	Page 3
Parts Numbers	
Replacement Parts	Page 4
Drawings/Photographs	
RCTA-A Drawing	Page 5
RCTA-B Drawing	Page 6
RCTA-C Drawing	Page 7
Notes/Disclaimer	Page 8

MODEL NUMBER EXPLANATION

R	C	T	A	-	B	0	3	6
1	2	3			4	5		

1 TRADE BRAND IDENTIFICATION

2 COIL

3 SERIES

4 TYPE

A = Horizontal Slab Coil

B = A-Coil

C = Slant Coil

5 COOLING CAPACITY

018 = 18,000 BTU/H

024 = 24,000 BTU/H

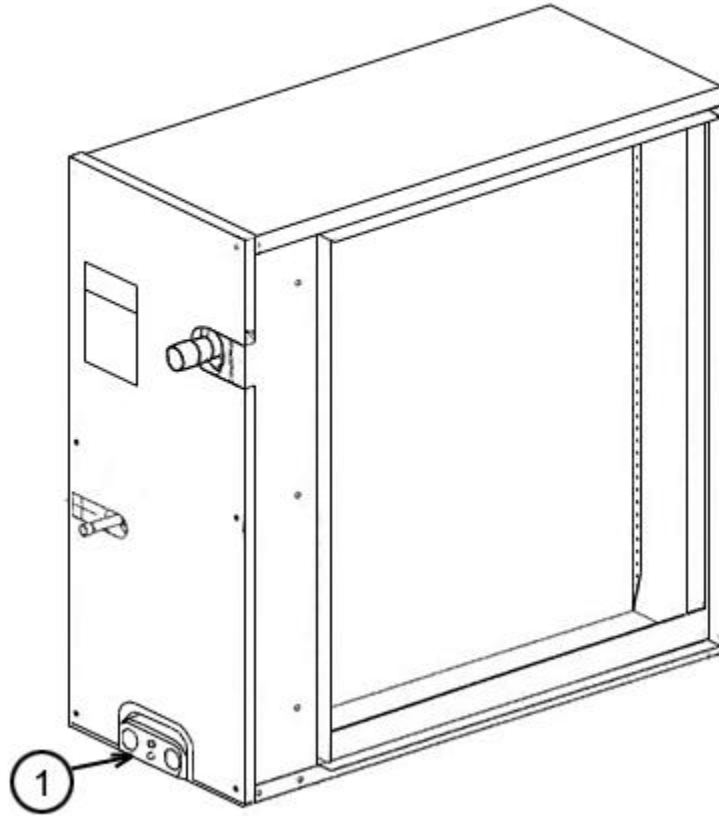
036 = 36,000 BTU/H

048 = 48,000 BTU/H

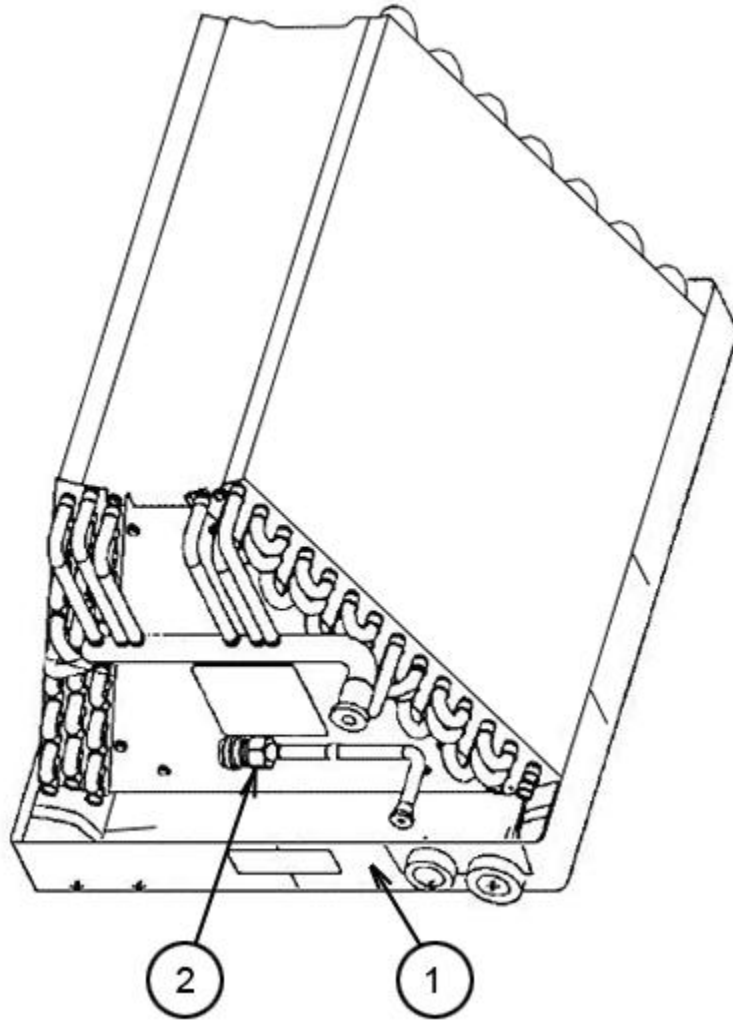
060 = 60,000 BTU/H

No.	Notes	MODEL TYPE CAPACITY	RCTA A 024	RCTA A 036	RCTA A 048	RCTA A 060
DRAIN PAN						
1	Stk	Drain Pan	686042	686043	686044	686045
METERING SECTION						
	Stk	Expansion Valve	610001	610002	610002	610002

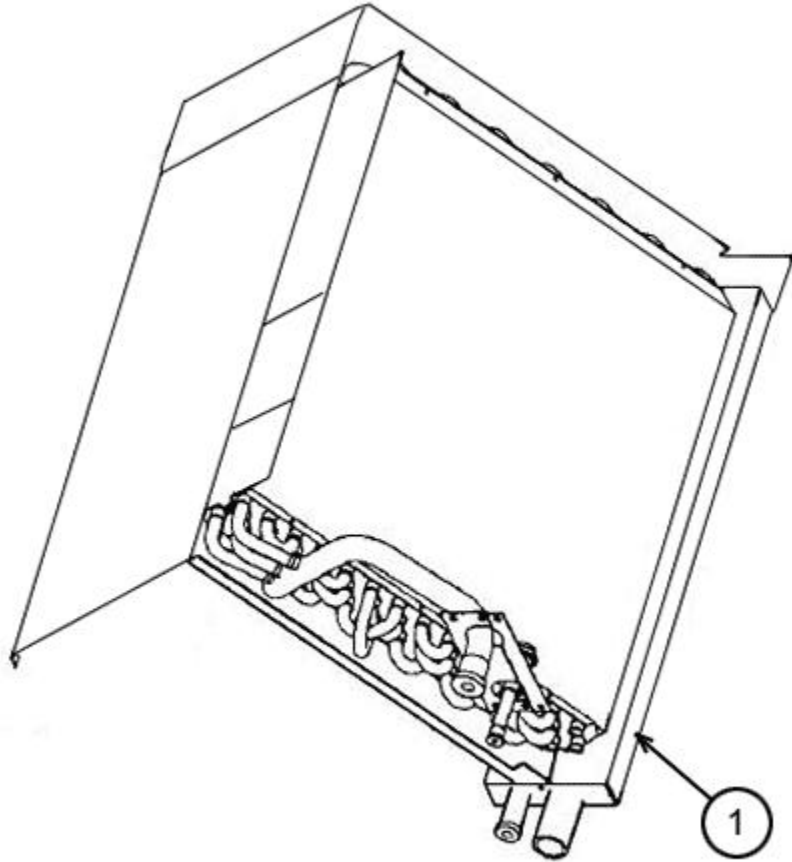
No.	Notes	MODEL TYPE CAPACITY	RCTA B 036	RCTA B 060	RCTA C 018	
DRAIN PAN						
1	Stk	Drain Pan	686046	AS-54500-04	AS-54500-06	
METERING SECTION						
	Stk	Bag Assembly - Orifices	625035	625036	N/A	
		Bracket - Front Support	955098	N/A	N/A	
		Bracket - Rear Support	955099	N/A	N/A	
2	Stk	Piston (#65 for -036, #78 for -060, #52 for -018)	610003	610005	610004	



RCTA-A Drawing



RCTA-B Drawing



RCTA-C Drawing

NOTES

Stk It is recommended that stock be maintained for this part.
N/A Not Applicable

DISCLAIMER: This document is intended to provide general replacement parts information to aid qualified service personnel in the repair of these models. The complete Model and Serial Number of the unit under repair should be specified when selecting and ordering replacement parts. Specifications and illustrations are subject to change without notice. Document 92-42800-RCTA supersedes all previous parts lists for these models. See <http://www.rheempartslists.net/92-42800-RCTA> for the latest revision of this document. The manufacturer assumes no obligation for errors or omissions. Service personnel must verify the proper and safe operation of equipment after the replacement of any original components.