



RCQC

Parts List
12-May-2011



*This parts list is current as of the above revision date.
See <http://www.rheempartslists.net/92-42800-RCQC.pdf> for the current revision.*

Coils

Table of Contents

Model Explanation	Page 3
Parts Numbers	
Replacement Parts	Page 4
Drawings/Photographs	
Exploded View	Page 5
Front View	Page 5
Notes/Disclaimer	Page 6

MODEL NUMBER EXPLANATION

R	C	Q	C	-	2	4	1	7	A	S
1	2	3	4		5		6		7	8

- | | |
|--|--|
| <p>1 TRADE BRAND IDENTIFICATION</p> <p>2 MODEL</p> <p>3 TYPE
Q = Type of Coil
(Q = High Efficiency AC/Heat Pump Coil
w/Expansion Valve)</p> <p>4 DESIGN SERIES / VARIATION</p> <p>5 NOMINAL CAPACITY
24 = 18,000-24,000 BTUH
36 = 30,000-36,000 BTUH
48 = 42,000-48,000 BTUH
60 = 60,000 BTUH</p> | <p>6 COIL CASING
17 = 17 in.
21 = 21 in.
24 = 24 in.</p> <p>7 VARIATIONS
A, B, F</p> <p>8 SWEAT</p> |
|--|--|

SERIAL NUMBER EXPLANATION

F	2	6	0	2	0	0	0	0	1
1	2		3		4				

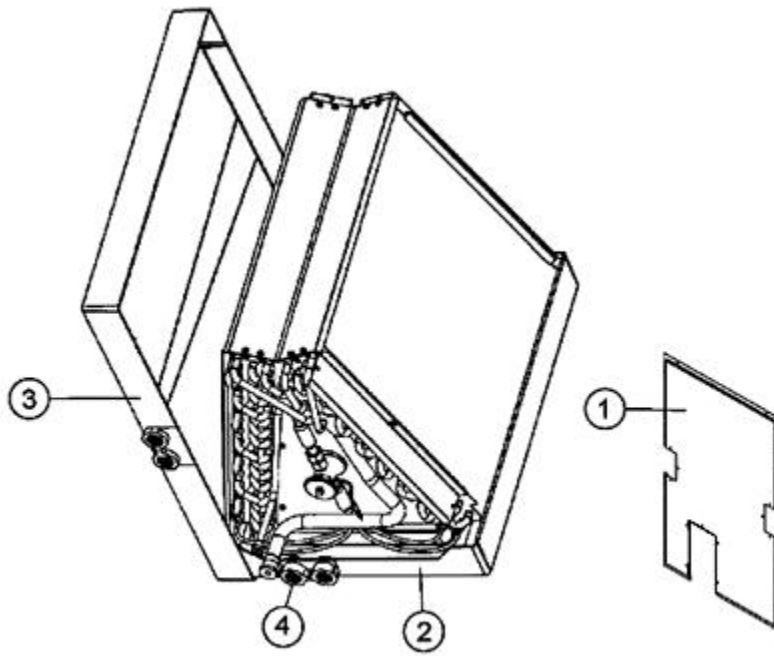
- 1 PRODUCTION LOCATION**
F = FORT SMITH, AR
M = MILLEDGEVILLE, GA
- 2 WEEK OF PRODUCTION**
- 3 YEAR OF PRODUCTION**
- 4 PRODUCTION NUMBER**

No.	Notes	MODEL NOMINAL CAPACITY COIL CASING VARIATION	RCQC	RCQC	RCQC	RCQC
			24 17 AS	24 17 BS	30 21 BS	31 17 AS
DOOR, DRAIN PAN PARTS						
1		Door Panel Assembly	AS-100068-06	AS-100068-06	AS-100068-07	AS-100068-06
2	Stk	Vertical Drain Pan	68-100000-01	68-100000-01	68-100000-02	68-100000-01
		Drain Pan Extension	N/A	N/A	AS-57535-04	N/A
3	Stk	Horizontal Drain Pan	68-100002-01	68-100002-01	68-100002-01	68-100002-01
4		Drain Pan Plug	68-100070-01	68-100070-01	68-100070-01	68-100070-01
METERING SECTION						
5	Stk	Expansion Valve	61-26018-04	61-101477-01	61-101477-02	61-26018-21
6	Stk	Strainer	83-26020-01	83-26020-02	83-26020-02	83-26020-01
7		Distributor Assembly	83-100051-01	N/A	N/A	N/A

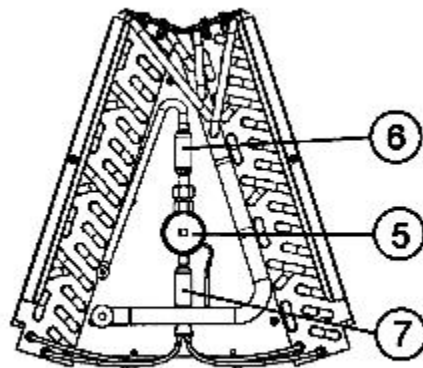
No.	Notes	MODEL NOMINAL CAPACITY COIL CASING VARIATION	RCQC	RCQC	RCQC	RCQC
			31 21 AS	31 24 AS	36 17 AS	36 21 AS
DOOR, DRAIN PAN PARTS						
1		Door Panel Assembly	AS-100068-07	AS-100068-08	AS-100068-06	AS-100068-07
2	Stk	Vertical Drain Pan	68-100000-02	68-100000-03	68-100000-01	68-100000-02
		Drain Pan Extension	AS-57535-04	AS-57535-04	AS-57535-04	AS-57535-04
3	Stk	Horizontal Drain Pan	68-100002-01	68-100002-01	68-100002-01	68-100002-01
4		Drain Pan Plug	68-100070-01	68-100070-01	68-100070-01	68-100070-01
METERING SECTION						
5	Stk	Expansion Valve	61-26018-21	61-26018-21	61-26018-02	61-26018-02
6	Stk	Strainer	83-26020-01	83-26020-01	83-26020-01	83-26020-01
7		Distributor Assembly	N/A	83-100051-03	83-100051-02	83-100051-02

No.	Notes	MODEL NOMINAL CAPACITY COIL CASING VARIATION	RCQC	RCQC	RCQC	RCQC
			36 24 BS	48 21 AS	48 24 AS	49 21 AS
DOOR, DRAIN PAN PARTS						
1		Door Panel Assembly	AS-100068-08	AS-100068-07	AS-100068-08	AS-100068-07
2	Stk	Vertical Drain Pan	68-100000-03	68-100000-02	68-100000-03	68-100000-02
		Drain Pan Extension	AS-57535-04	AS-57535-04	AS-57535-04	AS-57535-04
3	Stk	Horizontal Drain Pan	68-100002-01	68-100002-01	68-100002-01	68-100002-01
4		Drain Pan Plug	68-100070-01	68-100070-01	68-100070-01	68-100070-01
METERING SECTION						
5	Stk	Expansion Valve	61-101477-03	61-26018-11	61-26018-11	61-26018-03
6	Stk	Strainer	83-26020-02	83-26020-01	83-26020-01	83-26020-01
7		Distributor Assembly	N/A	83-100051-03	83-100051-03	83-100051-03

No.	Notes	MODEL NOMINAL CAPACITY COIL CASING VARIATION	RCQC	RCQC	RCQC	RCQC
			49 24 AS	60 24 AS	60 24 FS	61 24 AS
DOOR, DRAIN PAN PARTS						
1		Door Panel Assembly	AS-100068-08	AS-100068-08	AS-100068-08	AS-100068-26
2	Stk	Vertical Drain Pan	68-100000-03	68-100000-03	68-100000-03	68-100000-03
		Drain Pan Extension	AS-57535-04	AS-57535-04	AS-57535-04	AS-57535-07
3	Stk	Horizontal Drain Pan	68-100002-01	68-100002-01	68-100002-01	68-100002-01
4		Drain Pan Plug	68-100070-01	68-100070-01	68-100070-01	68-100070-01
METERING SECTION						
5	Stk	Expansion Valve	61-26018-03	61-26018-03	N/A	61-26018-11
	Stk	Flowcheck Distributor	N/A	N/A	61-26113-18	N/A
	Stk	Piston Kit - Flowcheck	N/A	N/A	61-25414-90	N/A
6	Stk	Strainer	83-26020-01	83-26020-01	83-26020-01	83-26020-01
7		Distributor Assembly	83-100051-03	83-100051-03	N/A	83-100051-03



Exploded View



Front View

NOTES

STK It is recommended that stock be maintained for this part.
N/A Not Applicable

DISCLAIMER: This document is intended to provide general replacement parts information to aid qualified service personnel in the repair of these models. The complete Model and Serial Number of the unit under repair should be specified when selecting and ordering replacement parts. Specifications and illustrations are subject to change without notice. Document 92-42800-RCQC supersedes all previous parts lists for these models. See <http://www.rheempartslists.net/92-42800-RCQC> for the latest revision of this document. The manufacturer assumes no obligation for errors or omissions. Service personnel must verify the proper and safe operation of equipment after the replacement of any original components.