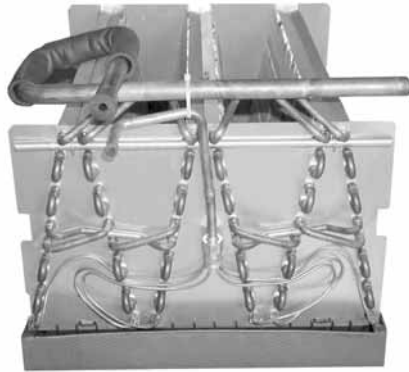




The new degree of comfort.™

Uncased Multiflex Replacement Coils



RCBA/RCHL- Series

featuring Industry Standard R-410A

Refrigerant

Airflow Capacity

600-2,000 CFM [283-944 L/s]

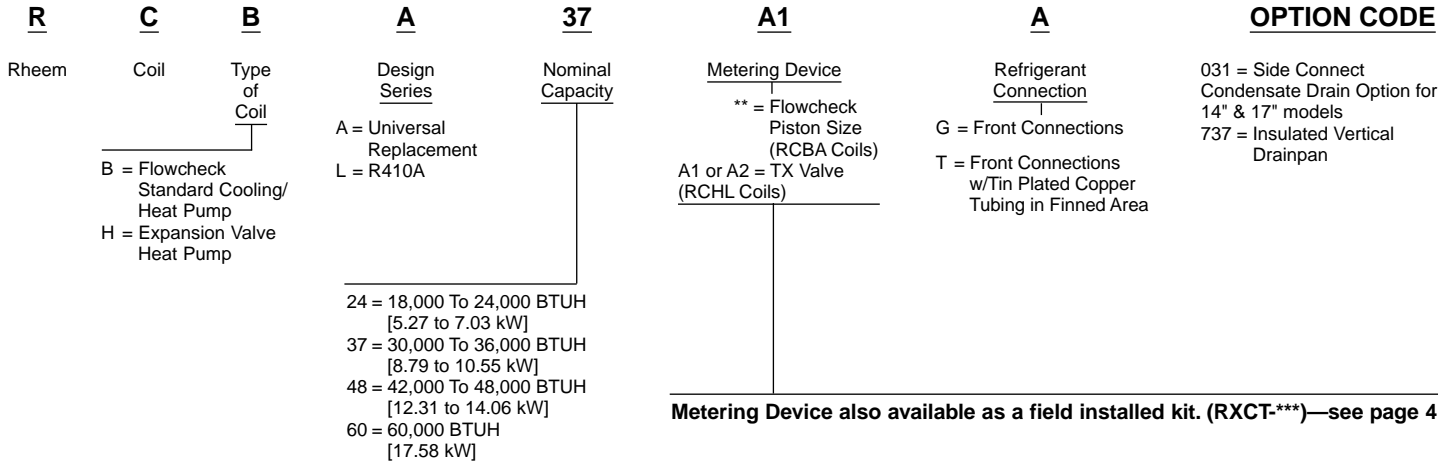


- Rheem® Indoor Coils are designed for use with Rheem outdoor units and are available for vertical upflow or downflow, and horizontal left or horizontal right airflow. When matched with Rheem outdoor units, the coils provide a nominal capacity range from 18,000 BTU/HR [5.24 kW] to 60,000 BTU/HR [17.58 kW].
- The patented single-row, single-coil pleated concept results in extremely low pressure drops and corresponding easy cleaning.
- Front refrigerant and drain connection add to ease of installation.
- Constructed of aluminum fins bonded to internally grooved copper tubing.
- Available tin plated copper tubing in the finned area for superior corrosion resistance in harsh environments.
- Coils have sweat refrigerant connections..
- Condensate drain pan is constructed of high grade, heat resistant, corrosion free thermal-set material.
- Compatible with Germicidal Light System (UV resistant)
- Bi-Directional airflow eliminates the need to switch any internal components from horizontal left to right.
- Unique drain pan design maximizes application flexibility and condensate removal.
- Universal Duct Flanges are included with all coil models.

TABLE OF CONTENTS

Model Number Identification	3
Expansion Valve Conversion Kit	4
Coil Dimensions and Weights	5
Physical Data/Pressure Drop.....	6
Accessories	7-8
Limited Warranty	9

MODEL NUMBER IDENTIFICATION



Models Available	
RCBA-2457G*	RCHL-24A2G*
RCBA-2457T*	RCHL-24A2T*
RCBA-3765G*	RCHL-36A1G*
RCBA-3765T*	RCHL-36A1T*
RCBA-4882G*	RCHL-48A1G*
RCBA-4882T*	RCHL-48A1T*
RCBA-6089G*	RCHL-60A1G*
RCBA-6089T*	RCHL-60A1T*

*Option Code if Applicable

[] Designates Metric Conversions

RXCT- EXPANSION VALVE CONVERSION KIT FOR RCBA INDOOR COILS

Use an expansion valve kit to convert RCBA- indoor coils to RCGA-/RCGJ-/RCHA- and RCHJ- Coils

R-22 TXV KIT APPLICATION GUIDELINE		
TXV KIT #: RXCT-	PLUS BASE COIL	MAKES REPLACEMENT COIL FOR THESE MODELS
CHA	RCBA-24	RCGA-24A1
		RCGA-24A2
		RCHA-24A1
		RCHA-24A2
	RCBA-37	RCGJ-24A1
		RCGJ-24A2
		RCHJ-24A1
		RCHJ-24A2
CHC	RCBA-37	RCGA-36A1
		RCGA-36A2
		RCHA-36A1
		RCHA-36A2
	RCBA-48	RCGJ-36A1
		RCGJ-36A2
		RCHJ-36A1
		RCHJ-36A2
CHF	(2) RCBA-60	RCHJ-51A1A
CHG	(2) RCBA-60	RCGJ-61A1A
CHJ	RCBA-60	RCHJ-61A1A
		RCGA-60A1
		RCGJ-60A1
		RCGJ-60A2
		RCHA-60A1
CHL	RCBA-48	RCHJ-60A1
	RCBA-60	RCGA-48A1
		RCHA-48A1
		RCGJ-48A1
		RCHJ-48A1
		RCHJ-48A2
R-410A TXV KIT APPLICATION GUIDELINE		
TXV KIT #: RXCT-	PLUS BASE COIL	MAKES REPLACEMENT COIL FOR THESE MODELS
DHA	RCBA-37	RCHL-24A2
DHB	RCBA-48	RCHL-36A1
		RCHL-36A2
DHC	RCBA-60	RCHL-48A1
		RCHL-48A2
DHD	RCBA-60	RCHL-60A1

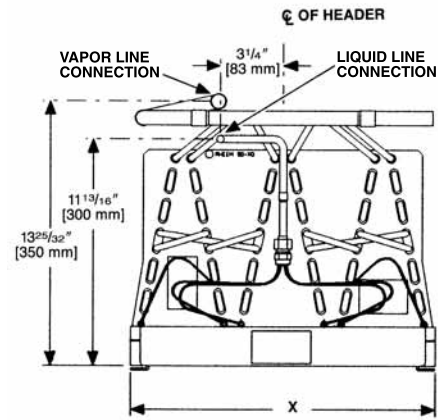
Kits may be used for conversion of side or front connect with the exception of the RXCT-CHF and RXCT-CHG, which is side connect only.

[] Designates Metric Conversions

UNIT DIMENSIONS & WEIGHTS—

MODEL NUMBER	UNCASED COIL "X" IN. [mm]	CONNECTION SIZE (IN.) [mm]		UNIT WEIGHT (LBS.) [Kg]	
		SWEAT		UNCASED COIL	
		LIQUID I.D.	SUCTION I.D.	WT.	SHIP WT.
RCBA-24	12 ¹ / ₄ [311]	3/8 [10]	3/4 [19]	15 [6.80]	17 [7.11]
RCBA-37	15 ³ / ₄ [400]			20 [9.07]	22 [9.98]
RCHL-24A2	15 ³ / ₄ [400]			21 [9.53]	23 [10.43]
RCBA-48	19 ¹ / ₄ [489]		7/8 [22]	26 [11.79]	29 [13.15]
RCHL-36A1	19 ¹ / ₄ [489]			27 [12.25]	30 [13.61]
RCBA-60	22 ³ / ₄ [578]			32 [14.51]	35 [15.88]
RCHL-48A1	22 ³ / ₄ [578]			33 [14.97]	36 [16.33]
RCHL-60A1					

[] Designates Metric Conversions



SEE UNIT DIMENSION & WEIGHT CHART
SEE PAGE 4 FOR "W" & "X"

1235

PHYSICAL DATA

COIL MODEL NUMBER	APPROX. DESIGN AIRFLOW RANGE (CFM) [L/s]	FACE AREA (SQ. FT.) [m ²]	FINS/IN.	NUMBER OF SLABS
RCBA-2457	600-800 [283.1-377.6]	5.07 [.471]	18	4
RCHL-24A2	600-800 [283.1-377.6]	7.60 [.706]		6
RCBA-3765	1000-1200 [471.1-566.3]	7.60 [.706]		6
RCHL-36A1	1000-1200 [471.1-566.3]	10.13 [.941]		8
RCBA-4882	1400-1600 [660.7-755.1]	10.13 [.941]		8
RCHL-48A1	1400-1600 [660.7-755.1]	12.67 [1.18]		10
RCBA-6089/RCHL-60A1	2000 [943.9]	12.67 [1.18]		10

RCBA-/RCHL—PRESSURE DROP

Cased Coil Size In. [mm]	14 [355.6]		17 ¹ / ₂ [444.5]		21 [533.4]		24 ¹ / ₂ [622.3]		
No. of Coil Slabs	4		6		8		10		
Coil Cooling Size	-018, -024		-018 [Ⓢ] , -024 [Ⓢ] , -030, -036		-030 [Ⓢ] , -036 [Ⓢ] , -042, -048		-042 [Ⓢ] , -048 [Ⓢ] , -060		
Coil Position (Airflow)	Up	Down	Up	Down	Up	Down	Up	Down	
Static Pressure Drop Through Wet Cooling Coil In. W.C. [kPa]	AIRFLOW CFM [L/s]								
	.05 [.01]	578 [272.8]	521 [245.9]	752 [354.9]	673 [317.6]	895 [422.4]	764 [360.6]	1005 [474.3]	885 [417.7]
	.10 [.02]	889 [419.6]	827 [390.3]	1113 [525.3]	977 [461.1]	1299 [613.1]	1103 [520.6]	1559 [437.8]	1308 [617.3]
	.15 [.04]	1158 [546.5]	977 [461.1]	1416 [668.3]	1244 [587.1]	1641 [774.5]	1386 [654.1]	1939 [915.1]	1605 [757.5]
	.20 [.05]	1346 [635.2]	1149 [542.3]	1647 [777.3]	1413 [666.9]	1960 [925.0]	1637 [772.6]	2271 [1071.8]	1883 [888.7]
	.25 [.06]	1546 [729.6]	1271 [599.8]	1876 [885.4]	1633 [770.7]	2187 [1032.1]	1826 [861.8]	2552 [1204.4]	2134 [1007.1]
.30 [.07]	1665 [785.8]	1401 [661.2]	2065 [974.6]	1784 [841.0]	2429 [1146.4]	2013 [950.0]	2890 [1363.9]	2365 [1116.2]	

NOTES: *Air pressure drop for horizontal airflow is the same as that shown for upflow.

[] Designates Metric Conversions

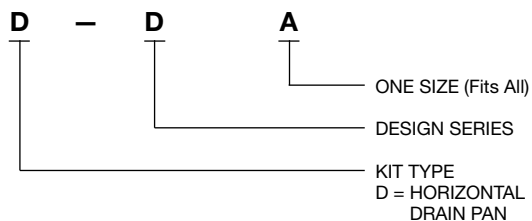
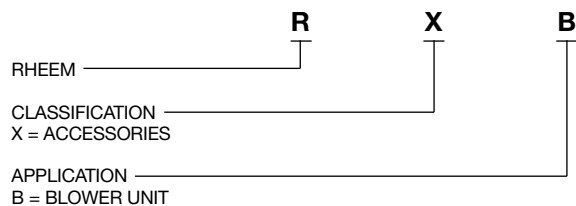
ACCESSORIES

HORIZONTAL DRAIN PAN KIT RXBD-DA

This horizontal drain pan accessory is for installation in cased indoor cooling coils for gas or oil furnaces **ONLY**. This accessory allows an upflow/downflow coil to be converted for horizontal application. The same drain pan fits all RCBA-/RCHJ-/RCHL- coils. (Kit has metal drain pan extension).

HORIZONTAL DRAIN PAN KIT RXBD-CA

This horizontal drain pan accessory is for installation in indoor cooling coils for air handlers **ONLY**. This accessory allows an upflow/downflow coil to be converted for horizontal applications. The same drain pan fits all RCBA-/RCHJ-/RCHL- coils. (Kit has no metal drain pan extension.) (For RCHJ-51A1, RCHL-51A1, RCHJ-61A1 and RCHL-61A1 two pans are required).

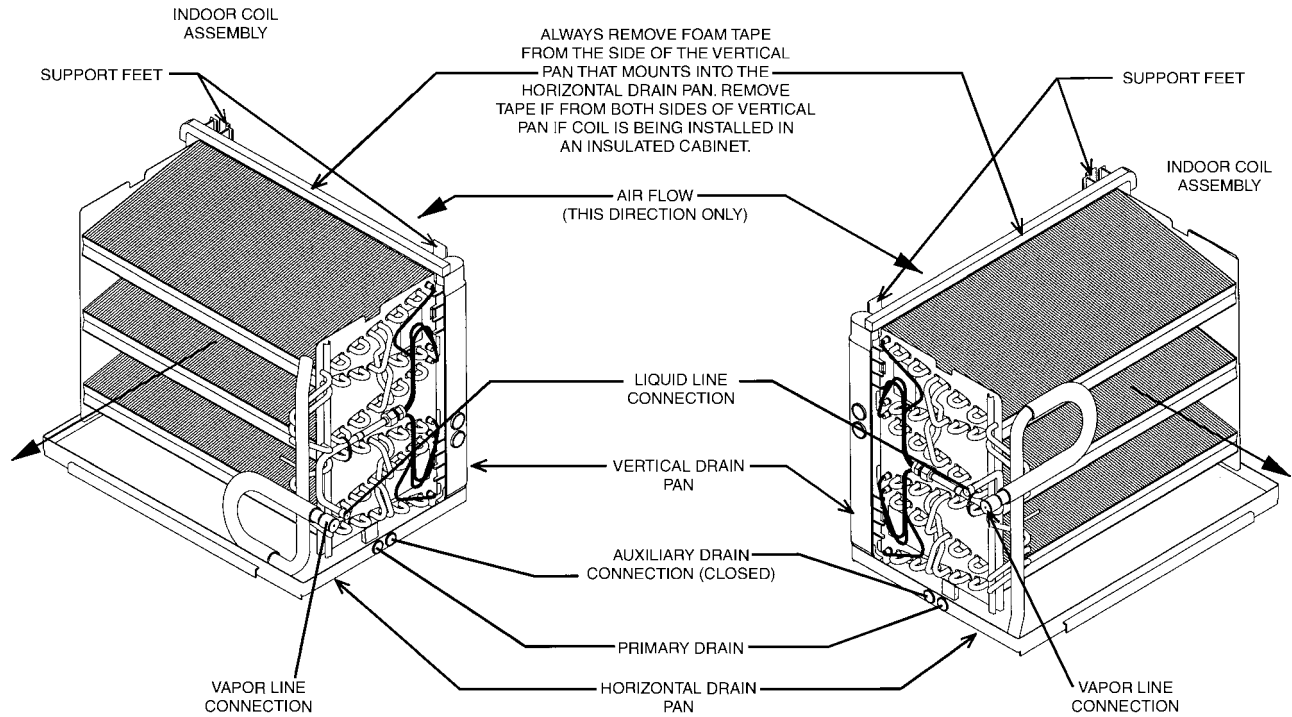


ACCESSORIES (continued)

RCBA-/RCHL- HORIZONTAL INDOOR COIL ASSEMBLY

Figure 1.
Indoor coil and drain pan set-up
for horizontal left-hand air supply.
Designated as (L) in model number.
Side connection coil shown.

Figure 2.
Indoor coil and drain pan set-up
for horizontal right-hand air supply.
Designated as (R) in model number.
Side connection coil shown.



***Foam Tape**

Foam tape is shipped loose with uncased coils.

If uncased coil is installed vertical in a coil casing or air handler, install the foam tape on the sides of the vertical drain pan.

If installed horizontal, **DO NOT** install foam tape on the side of the vertical drain pan that fits into the horizontal drain pan. Remove foam tape, if already attached, from the side of the vertical drain pan that fits into the horizontal drain pan.

If coil, vertical or horizontal, is installed in coil casing or air handler with optional "Florida Insulation," **DO NOT** install foam tape on either side of the vertical drain pan.

I151

ACCESSORIES (continued)

INTERNAL COUPLER ACCESSORY RXBA-AA AND RXBA-AB

This internal coupler accessory is for installation in cased indoor cooling and heat pump coils. This allows a nominal size coil to be installed in the next larger size casing to be used on a gas or oil furnace. **NOTE: This accessory is for installation in coil casings to fit gas or oil furnaces only—this accessory must not be used on electric furnaces or heat pump air handlers. The RXBA-AA can be ordered factory installed by both designating the next size larger casing width and by designating a “with adapter” (B) in the coil model number.**

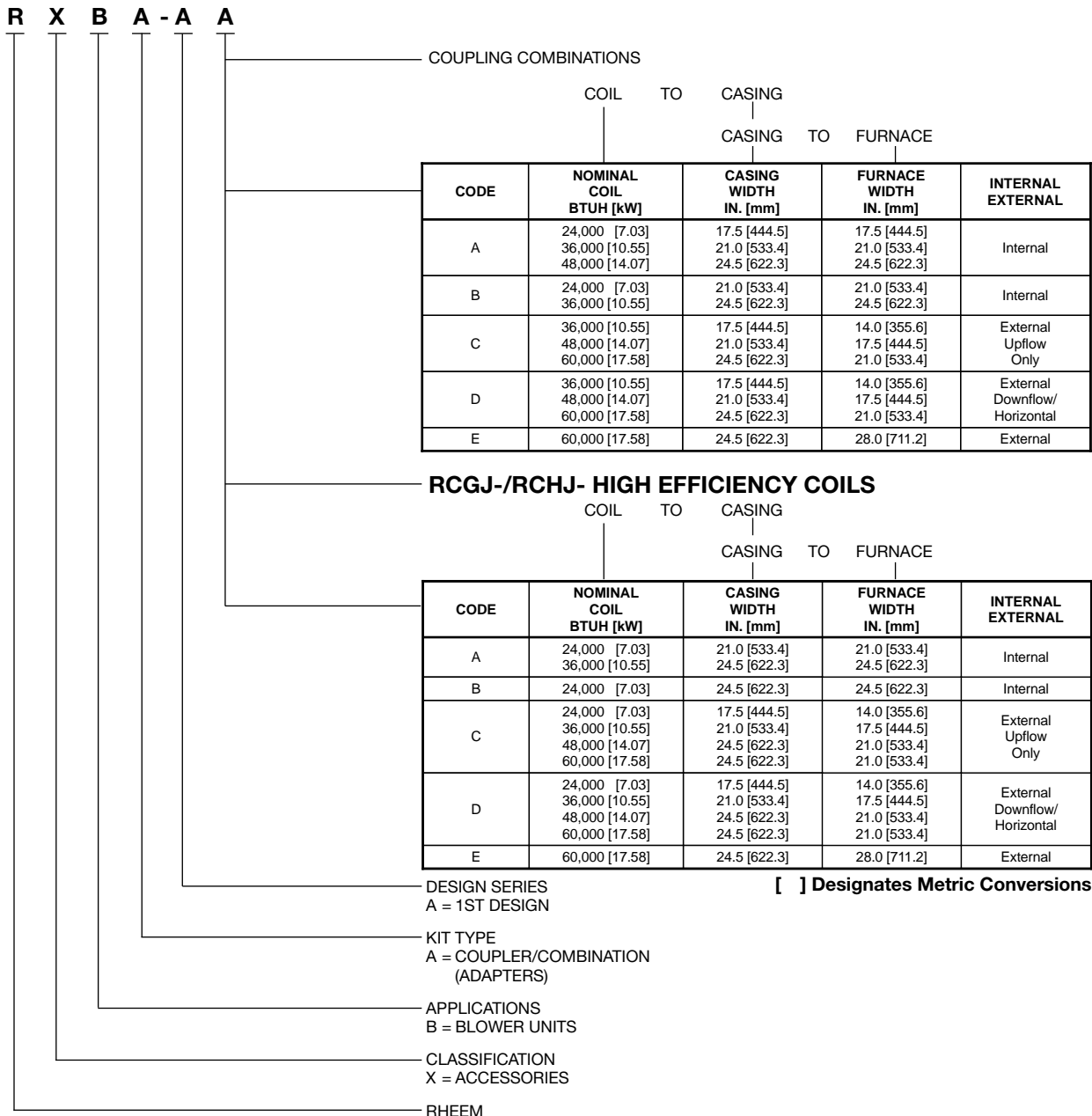
cased coil to be installed on the next smaller size gas or oil furnace. **NOTE: This accessory is for installation on coil casings to fit gas or oil furnaces only—this accessory must not be used on electric furnaces or heat pump air handlers. The RXBA-AC (Upflow Only) can be ordered factory installed by designation as “with adapter” (B) in the coil model number. The RXBA-AD for Downflow/Horizontal applications can be ordered separately through the order center.**

PLENUM ADAPTER ACCESSORY RXBA-AC AND RXBA-AD

This plenum adapter accessory is for installation on cased indoor cooling and heat pump coils. This allows a nominal size

PLENUM ADAPTER ACCESSORY RXBA-AE

This plenum adapter accessory is for use with the 24.5" [622.3 mm] wide cased indoor cooling and heat pump coils. This allows a 24.5" [622.3 mm] wide cased coil to be installed on a 28" [711.2 mm] wide oil furnace.



GENERAL TERMS OF LIMITED WARRANTY*

Rheem will furnish a replacement for any part of this product which fails in normal use and service within the applicable periods stated, in accordance with the terms of the limited warranty.

***For complete details of the Limited and Conditional Warranties, including applicable terms and conditions, contact your local contractor or the Manufacturer for a copy of the product warranty certificate.**

Parts.....Five (5) Years
Conditional Parts (Registration Required).....Ten (10) Years



The new degree of comfort.™

In keeping with its policy of continuous progress and product improvement, Rheem reserves the right to make changes without notice.

Rheem Heating, Cooling & Water Heating • P.O. Box 17010
Fort Smith, Arkansas 72917 • www.rheem.com

Rheem Canada Ltd./Ltée • 125 Edgeware Road, Unit 1
Brampton, Ontario • L6Y 0P5



INTEGRATED HOME COMFORT

PRINTED IN U.S.A 12/12 QG FORM NO. C11-223