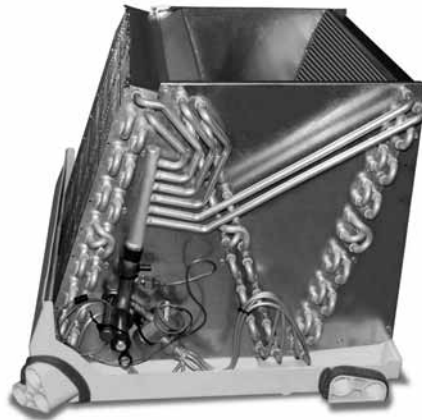




The new degree of comfort.™

## Uncased Coils For Gas And Oil Furnaces



### RCF- Series

featuring Industry Standard R-410A

Refrigerant

Airflow Capacity

600-1,900 CFM [283-897 L/s]

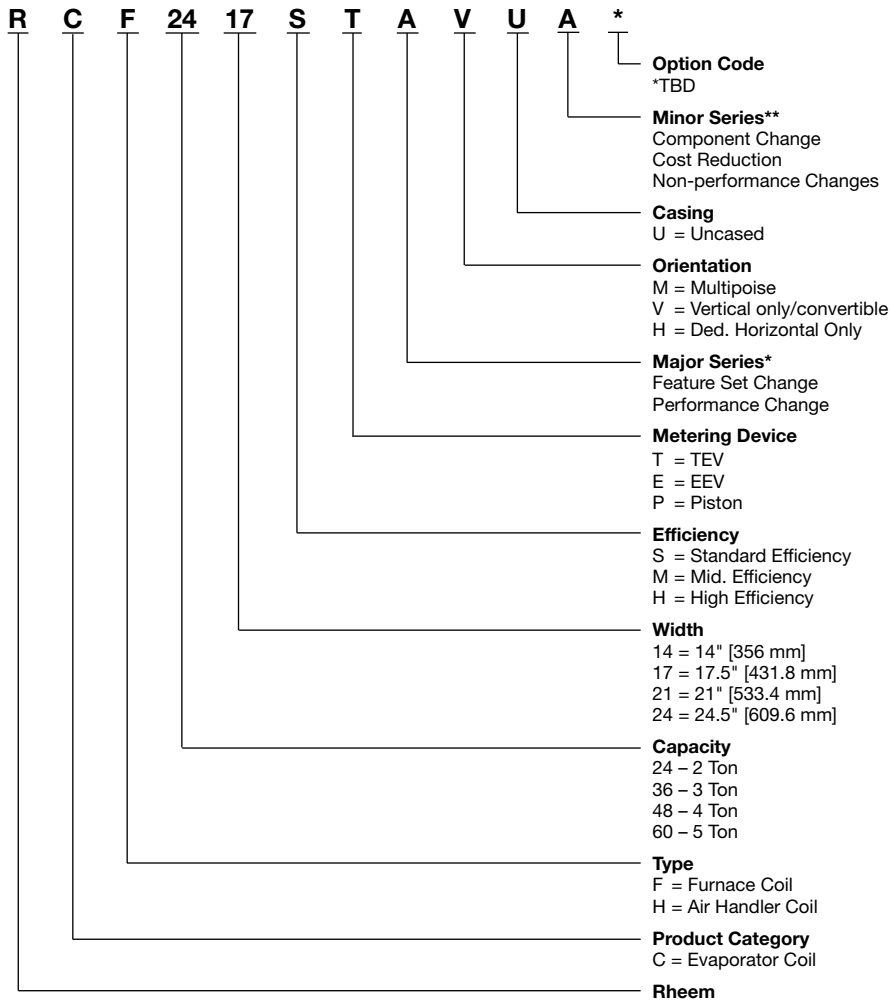


- Rheem® Indoor Replacement Coils are designed for use with Rheem outdoor units and are available for vertical upflow or downflow, and horizontal left or horizontal right airflow. When matched with Rheem outdoor units, the coils provide a nominal capacity range from 18,000 BTU/HR [5.24 kW] to 60,000 BTU/HR [17.6 kW].
- Constructed of aluminum fins bonded to internally grooved aluminum tubing.
- Coils are tested at the factory with an extensive refrigerant leak check.
- Coils have copper sweat refrigerant connections.
- Feature two sets of 3/4" [14.1 mm] N.P.T. Condensate drain connections for ease of connection.
- Chatleff metering device connections.
- Approved for system application with variety of Rheem outdoor units.
- Condensate drain pan is constructed of high grade, heat resistant, corrosion free thermal-set material.
- Compatible with Germicidal Light System (UV resistant)
- Bi-Directional airflow eliminates the need to switch any internal components from horizontal left to right.
- Unique drain pan design maximizes application flexibility and condensate removal.
- N-Coil design maximizes performance and minimizes height required at installation.

## TABLE OF CONTENTS

Model Number Identification .....	3
Coil Specifications .....	3
Coil Dimensions and Weights .....	4
Accessories .....	5-6
Limited Warranty .....	7

## Model Number Identification



New Replacement Available Coils	
RCF2414STAVUA	RCF2417HTAVUA
RCF2417STAVUA	RCF2421HTAVUA
RCF2417MTAVUA	RCF3624HTAVUA
RCF2421MTAVUA	RCF4824HTAVUA
RCF3617STAVUA	RCF6024HTAVUA
RCF3621STAVUA	RCF2417SPAVUA
RCF3621MTAVUA	RCF3617SPAVUA
RCF3624MTAVUA	RCF3621SPAVUA
RCF4821STAVUA	RCF4821SPAVUA
RCF4824STAVUA	RCF4824SPAVUA
RCF6024STAVUA	

### Table 1: Coil Specifications/Airflow Pressure Drop

Coil Model RCF	Approx. Design Air Flow CFM [L/s] Range	Face Area Sq. Ft. [m <sup>2</sup> ]	Fins-in. Rows Deep	Static Pressure Drop Through Wet Cooling Coil [kPa] (Inches W.C.) CFM [L/s]													
				600 [285]	700 [330]	800 [380]	900 [425]	1000 [470]	1100 [519]	1200 [565]	1300 [614]	1400 [660]	1500 [708]	1600 [755]	1700 [802]	1800 [850]	1900 [897]
<b>HIGH EFFICIENCY COOLING COILS</b>																	
2414S	600/900 [283/425]	4.56 [0.42]	16/2	.22 [.055]	.29 [.072]	.36 [.090]	.44 [.110]	—	—	—	—	—	—	—	—	—	—
2417S	600/900 [283/425]	4.56 [0.42]	16/2	.15 [.039]	.19 [.049]	.23 [.059]	.30 [.076]	—	—	—	—	—	—	—	—	—	—
2417H/2417M 3617S	600/1300 [283/614]	5.70 [0.53]	16/2	.11 [.03]	.14 [.035]	.17 [.043]	.21 [.053]	.26 [.064]	.31 [.080]	.36 [.092]	.41 [.103]	—	—	—	—	—	—
2421M/2421H 3621S	600/1300 [283/614]	5.70 [0.53]	16/2	.08 [.03]	.11 [.08]	.14 [.035]	.18 [.047]	.23 [.058]	.27 [.069]	.31 [.080]	.37 [.094]	—	—	—	—	—	—
3621M/4821S	900/1700 [425/802]	8.55 [0.79]	16/2	—	—	—	.15 [.03]	.18 [.045]	0.2 [.05]	.22 [.056]	.25 [.063]	.28 [.071]	.32 [.081]	.36 [.092]	.41 [.103]	—	—
3624M/4824S	900/1700 [425/802]	8.55 [0.79]	16/2	—	—	—	.15 [.03]	.18 [.04]	.20 [.05]	.22 [.056]	.25 [.063]	.28 [.071]	.32 [.081]	.32 [.081]	.41 [.103]	—	—
3624H/4824H 6024S/6024H	900/1900 [425/897]	9.98 [0.93]	14/3	—	—	—	.09 [.02]	0.11 [.03]	0.14 [.03]	0.16 [.04]	0.19 [.05]	0.21 [.05]	0.24 [.06]	.27 [.070]	.30 [.076]	.34 [.084]	.37 [.094]

NOTE: Represents Coil-Only Airflow Ratings

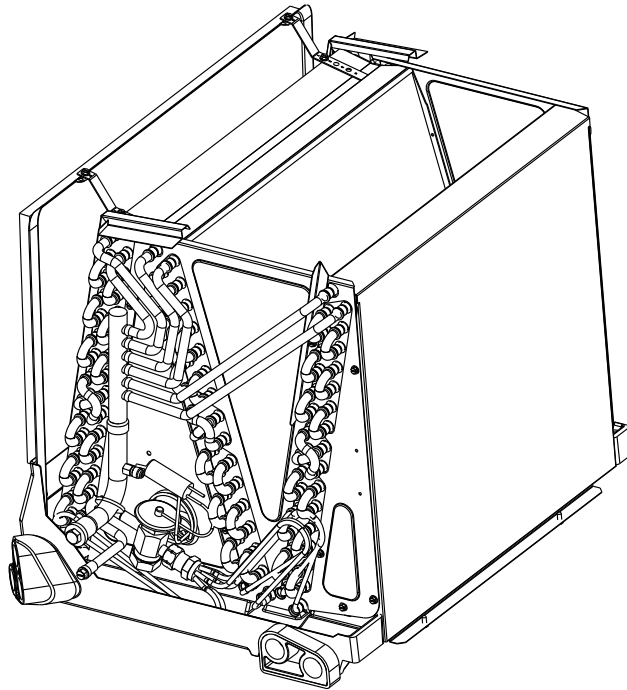
[ ] Designates Metric Conversions

**Table 2: Coil Dimensions and Weights**

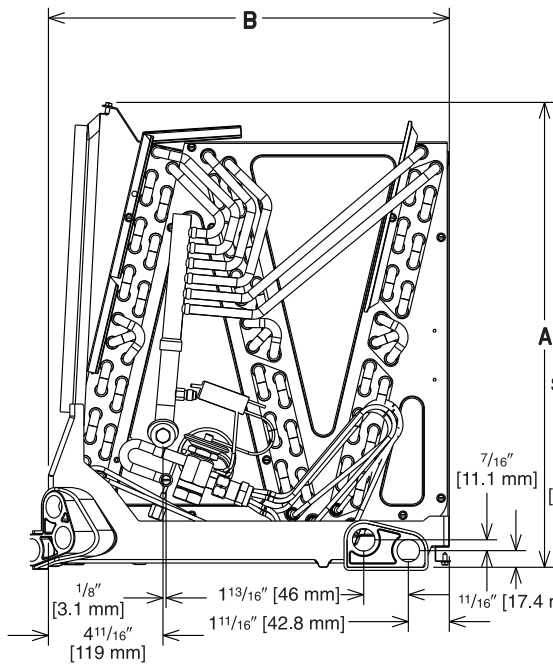
Coil Model RCF	Connections		Cased Coil Dimensions (in) [mm]		Weight	
	Sweat (in.) [mm]		A	B	Coil Weight (lbs.) [Kg.]	Shipping Weight (lbs.) [Kg.]
	Liquid	Suction				
	I.D.	I.D.				
2414S *	3/8 [9.53]	3/4 [19.05]	21 [533]	14 [356]	43 [19]	47 [21]
2417S	3/8 [9.53]	3/4 [19.05]	14 1/2 [368]	17 1/2 [445]	43 [19]	48 [22]
2417M3/2417H/3617S	3/8 [9.53]	3/4 [19.05]	17 7/8 [454]	17 1/2 [445]	49 [22]	54 [24]
2421M/2421H/3621S	3/8 [9.53]	3/4 [19.05]	17 7/8 [454]	21 [533]	51 [23]	60 [27]
3621M/4821S	3/8 [9.53]	3/4 [19.05]	25 7/8 [657]	21 [533]	71 [32]	78 [35]
3624M/4824S	3/8 [9.53]	3/4 [19.05]	25 7/8 [657]	24 1/2 [622]	83 [37]	93 [42]
3624H/4824H/6024S/6024H	3/8 [9.53]	3/4 [19.05]	30 1/4 [768]	24 1/2 [622]	100 [45]	108 [48]

\*The 14 inch, 2 ton RCF coil (2414) is part of the "N-Coil" design series, even though the coil shape resembles an "A" coil design.

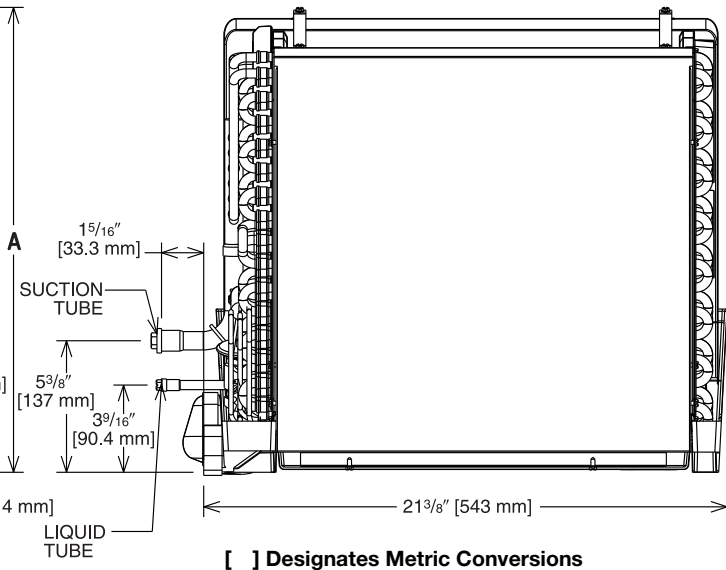
**FIGURE 1: DIMENSIONS**



**FRONT VIEW**



**SIDE VIEW**



[ ] Designates Metric Conversions

### Table 3: Coil Application

Coils can be matched to heating products as listed in table below.

Coil Model RCF	Furnace Width (in.) (mm)	
	Oil	Gas
2414S 2417S 2417H/2417M 3617S	—	14 [356]
2417S 2417M/2417H 3617S	17½ [431]	17½ [444] 14 [356]
2421M/2421H 3621S 3621M/4821S	21 [533]	21 [533] 17½ [444]
3624M/3624H 4824S/4824H 6024S/6024H	24½ [622]	24½ [622] 21 [533]

### Accessories

**• PLENUM ADAPTER ACCESSORY RXBA-AE**

This plenum adapter accessory is for use with the 24½" wide cased indoor cooling and heat pump coils. This allows a 24½" wide cased coil to be installed on a 28" wide oil furnace. This is a field-installed accessory only.

**• RXBA-AC (Upflow/Horizontal)**

These plenum adapter accessories are for use when a cooling coil is matched with a gas furnace of one smaller size.

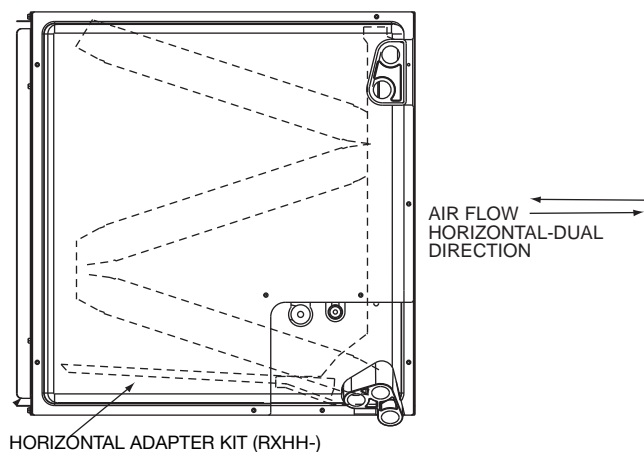
**• HORIZONTAL ADAPTER KIT RXHH (See Figure 2)**

This horizontal adapter kit is used to convert a upflow or downflow coil for a horizontal application. See Table 4 to order the proper horizontal adapter kit.

Table 4: Horizontal Adapter Kit Model No.

Coil Model	Horizontal Adapter Kit Model No.
2414S	RXHH-A01
2417S	RXHH-A02
2417M/2421M/3617S/ 3621S/2421H	RXHH-A03
3621M/3624M/ 4821S/4824S	RXHH-A04
3624H/4824H/ 6024S/6024H	RXHH-A05

FIGURE 2: HORIZONTAL ADAPTER KIT ILLUSTRATION



**• INDOOR COIL CASING- RXBC (See Table 5)**

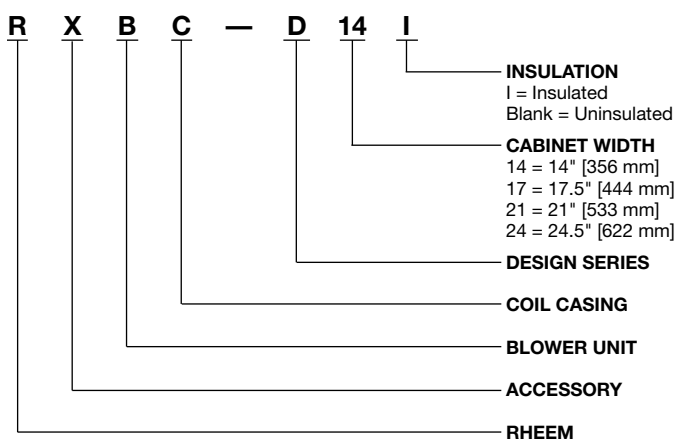


Table 5: Unit Dimensions and Weights- RXBC Indoor Coil Casings

Model Number	Width (in.) [mm]	Height (in.) [mm]	Depth (in.) [mm]	Unit Weight		Supply Air/Return Air Openings	
				Weight (lbs.) [Kg.]	Ship. Wt. (lbs.) [Kg.]	Width (in.) [mm]	Depth (in.) [mm]
RXBC-D14AI	14 [356]	23 <sup>7</sup> / <sub>16</sub> [589]	21 <sup>5</sup> / <sub>8</sub> [549]	19 [9]	23 [10]	13 [330]	19 <sup>31</sup> / <sub>32</sub> [508]
RXBC-D17AI	17½ [445]	20 [508]		18 [8]	23 [10]	16½ [419]	
RXBC-D21AI	21 [533]	20 [508]		20 [9]	26 [12]	20 [508]	
RXBC-D21BI	21 [533]	28 [711]		27 [12]	36 [17]	20 [508]	
RXBC-D24AI	24½ [622]	32½ [826]		34 [16]	44 [20]	23½ [597]	

Table 6: Uncased Coil Adapter Kit

Uncased Coil Adapter Model Number RXBA	A Width (in.) [mm]	Uncased Coil Model RCFP
B14x20	13 <sup>1</sup> / <sub>8</sub> [333]	-HUxx14
B17x20	16 <sup>5</sup> / <sub>8</sub> [422]	-HUxx17
B21x20	20 <sup>1</sup> / <sub>8</sub> [511]	-HUxx21
B24x20	23 <sup>5</sup> / <sub>8</sub> [599]	-HUxx24

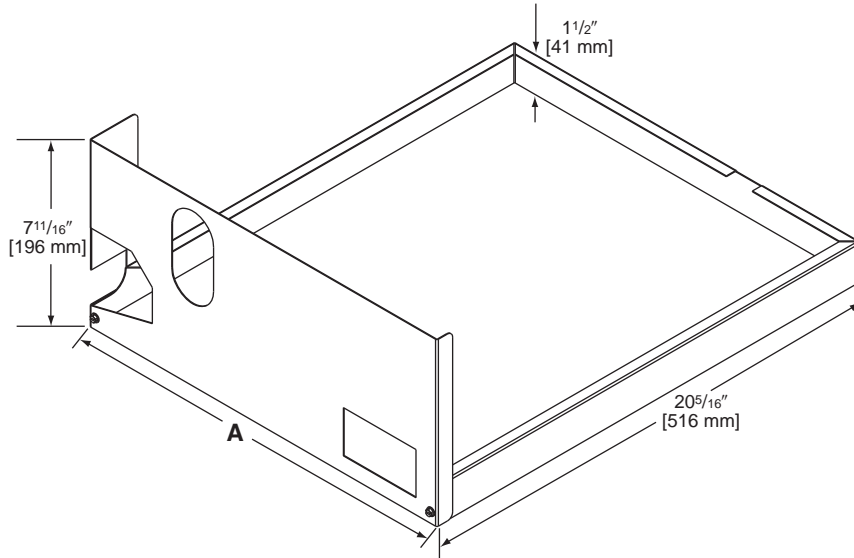
[ ] Designates Metric Conversions

## Accessories (cont.)

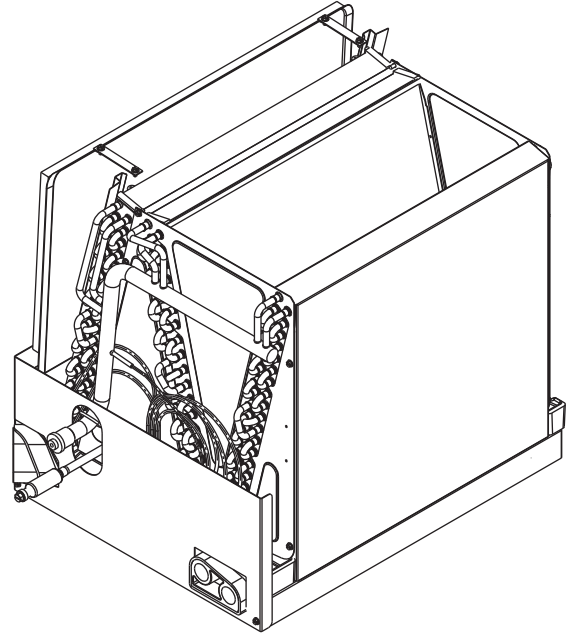
- **UNCASED COIL ADAPTER KIT**  
**RXBA- (See Figure 3 & 4)**

This uncased coil adapter kit is used to adapt the coil to a furnace or ductwork. See Table 6 to order the proper adapter kit. Each kit contains a quantity of 20 adapters.

**FIGURE 3: UNCASED COIL ADAPTER KIT ILLUSTRATION**



**FIGURE 4: UNCASED COIL ADAPTER KIT ASSEMBLED**



Note: Sliding the coil into the coil rail before attaching coil rack front.

[ ] Designates Metric Conversions

## GENERAL TERMS OF LIMITED WARRANTY\*

Rheem will furnish a replacement for any part of this product which fails in normal use and service within the applicable periods stated, in accordance with the terms of the limited warranty. Parts.....Five (5) Years

**\*For complete details of the Limited and Conditional Warranties, including applicable terms and conditions, contact your local contractor or the Manufacturer for a copy of the product warranty certificate.**



The new degree of comfort.™

*In keeping with its policy of continuous progress and product improvement, Rheem reserves the right to make changes without notice.*

Rheem Heating, Cooling & Water Heating • P.O. Box 17010  
Fort Smith, Arkansas 72917 • [www.rheem.com](http://www.rheem.com)

Rheem Canada Ltd./Ltée • 125 Edgeware Road, Unit 1  
Brampton, Ontario • L6Y 0P5



INTEGRATED HOME COMFORT

PRINTED IN U.S.A 9/13 QG FORM NO. C11-224