

INSTALLATION INSTRUCTIONS

FOR UNCASED COILS FOR GAS AND OIL FURNACES:

(-)CF: featuring Industry Standard R-410A Refrigerant **R-410A**



RECOGNIZE THIS SYMBOL AS AN INDICATION OF IMPORTANT SAFETY INFORMATION!

⚠ WARNING

These instructions are intended as an aid to qualified licensed service personnel for proper installation, adjustment and operation of this unit. Read these instructions thoroughly before attempting installation or operation. Failure to follow these instructions may result in improper installation, adjustment, service or maintenance possibly resulting in fire, electrical shock, property damage, personal injury or death.



ISO 9001:2008
Certificate Number: 30164

DO NOT DESTROY THIS MANUAL

PLEASE READ CAREFULLY AND KEEP IN A SAFE PLACE FOR FUTURE REFERENCE BY A SERVICEMAN



TABLE OF CONTENTS

1.0	Safety Information	3
2.0	General Information	4
2.1	Inspection	4
2.2	Codes & Regulations	4
2.3	Replacement Parts	5
2.4	Model Number Explanation	5
2.5	Coil Specifications	6
2.5A	Coil Specifications: Dimensions & Weights	6
2.5B	Coil Specifications: Airflow Pressure Drop	7
3.0	Installation	7
3.1	Applications	7
3.2	Refrigerant Connections	9
3.3	TXV Sensing Bulb	9
3.4	Flow Check Piston	9
3.5	Condensate Drain Tubing	10
4.0	Maintenance	10
4.1	Air Filter	10
4.2	Indoor Coil - Drain Pan - Drain Line	11
5.0	Accessories	12
5.1	Plenum Adapter Accessory	12
5.2	Horizontal Flow Accessory	12
5.3	RXBC- Indoor Coil Casing	13
5.4	Uncased Coil Adapter Kit	14

1.0 SAFETY INFORMATION

WARNING

These instructions are intended as an aid to qualified licensed service personnel for proper installation, adjustment and operation of this unit. Read these instructions thoroughly before attempting installation or operation. Failure to follow these instructions may result in improper installation, adjustment, service or maintenance possibly resulting in fire, electrical shock, property damage, personal injury or death.

WARNING

PROPOSITION 65: This appliance contains fiberglass insulation. Respirable particles of fiberglass are known to the State of California to cause cancer.

All manufacturer products meet current Federal OSHA Guidelines for safety. California Proposition 65 warnings are required for certain products, which are not covered by the OSHA standards.

California's Proposition 65 requires warnings for products sold in California that contain or produce any of over 600 listed chemicals known to the State of California to cause cancer or birth defects such as fiberglass insulation, lead in brass, and combustion products from natural gas.

All "new equipment" shipped for sale in California will have labels stating that the product contains and/or produces Proposition 65 chemicals. Although we have not changed our processes, having the same label on all our products facilitates manufacturing and shipping. We cannot always know "when, or if" products will be sold in the California market.

You may receive inquiries from customers about chemicals found in, or produced by, some of our heating and air-conditioning equipment, or found in natural gas used with some of our products. Listed below are those chemicals and substances commonly associated with similar equipment in our industry and other manufacturers.

- Glass Wool (Fiberglass) Insulation
- Carbon Monoxide (CO).
- Formaldehyde
- Benzene

More details are available at the websites for OSHA (Occupational Safety and Health Administration), at www.osha.gov and the State of California's OEHHA (Office of Environmental Health Hazard Assessment), at www.oehha.org. Consumer education is important since the chemicals and substances on the list are found in our daily lives. Most consumers are aware that products present safety and health risks, when improperly used, handled and maintained.

CAUTION

For horizontal applications, the horizontal drain pan must be located under the indoor coil. Failure to place the pan under the coil can result in property damage.

CAUTION

It is recommended that an auxiliary/secondary drain pan be installed under units containing evaporator coils that are located in any area of a structure where damage to the building or building contents may occur as a result of an overflow of the coil drain pan or a stoppage in the primary condensate drain piping.

2.0. GENERAL INFORMATION

2.1. INSPECTION

Immediately upon receipt, all cartons, and contents should be inspected for transit damage. Units with damaged cartons should be opened immediately. If damage is found, it should be noted on the delivery papers and a damage claim filed with the last carrier. Shipping damage is not covered by the warranty.

- After unit has been delivered to job site, remove carton taking care not to damage unit.
- Check the unit rating plate to be sure equipment matches what is required for the job specification.
- Read the entire instructions before starting the installation. This is particularly important if this is the first installation for this specific model series.
- Many installation steps done prior to installing the unit can save time and simplify the installation.

2.2. CODES/REGULATIONS

Units should be installed in accordance with any local or national codes which may apply. Latest editions are available from: "National Fire Protection Association, Inc., Batterymarch Park, Quincy, MA 02269."

These publications are:

- *ANSI/NFPA Latest Edition (NEC) National Electrical Code.*
- *NFPA90A Installation of Air conditioning and Ventilating Systems.*
- *NFPA90B Installation of Warm Air Heating and Air Conditioning Systems.*

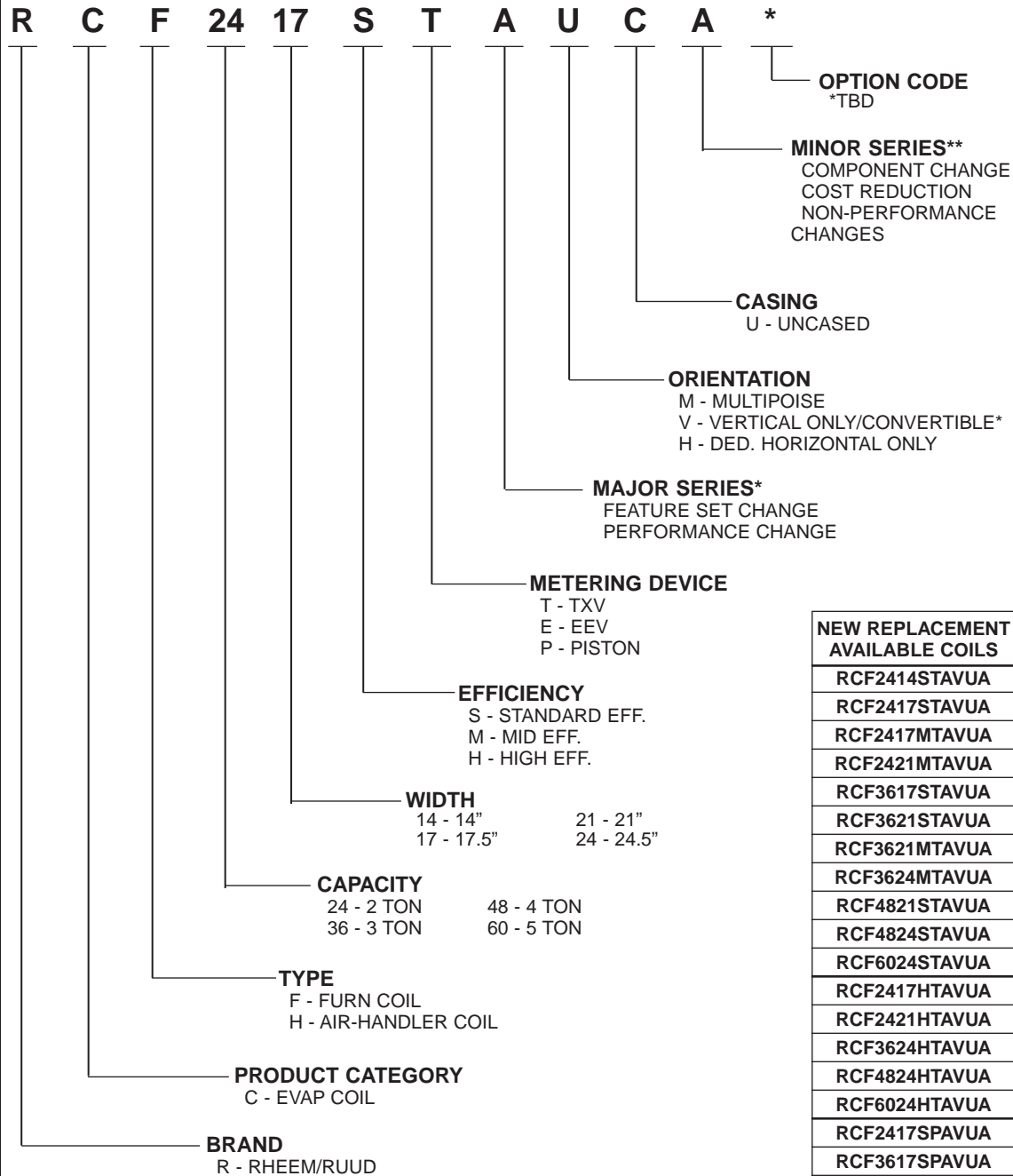
2.3. REPLACEMENT PARTS

Any replacement part must be the same as or an approved alternate to the original part supplied. The manufacturer will not be responsible for replacement parts not designed to physically fit or operate within the design parameters the original parts were selected for.

When ordering replacement parts, it is necessary to order by part number and include the complete model number and serial number from the coil rating plate. (See parts list for unit component part numbers. Parts are available through the local distributor.)

2.4 MODEL NUMBER EXPLANATION

FIGURE 1
MODEL NUMBER EXPLANATION



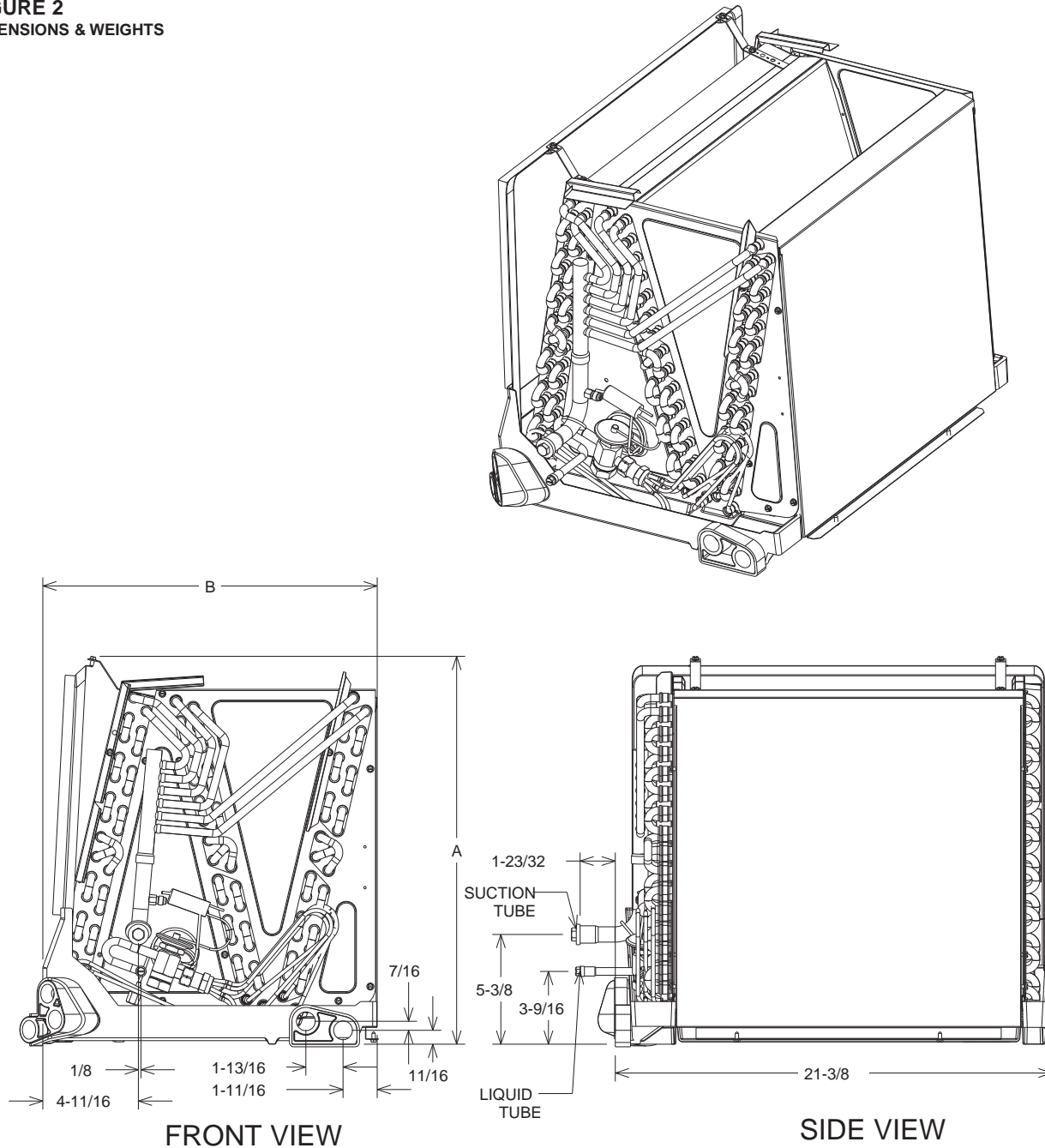
NEW REPLACEMENT AVAILABLE COILS	ORIGINAL COILS
RCF2414STAVUA	RCFL-HU2414CU
RCF2417STAVUA	RCFL-HU2417CU
RCF2417MTAVUA	RCFL-HU2617CU
RCF2421MTAVUA	RCFL-HU2621CU
RCF3617STAVUA	RCFL-HU3617CU
RCF3621STAVUA	RCFL-HU3621CU
RCF3621MTAVUA	RCFL-HU3821CU
RCF3624MTAVUA	RCFL-HU3824CU
RCF4821STAVUA	RCFL-HU4821CU
RCF4824STAVUA	RCFL-HU4824CU
RCF6024STAVUA	RCFL-HU6024CU
RCF2417HTAVUA	RCFN-HU2417CU
RCF2421HTAVUA	RCFN-HU2421CU
RCF3624HTAVUA	RCFN-U3624CU
RCF4824HTAVUA	RCFN-HU4824CU
RCF6024HTAVUA	RCFN-HU6024CU
RCF2417SPAVUA	RCFP-HU2417CU
RCF3617SPAVUA	RCFP-HU3617CU
RCF3621SPAVUA	RCFP-HU3621CU
RCF4821SPAVUA	RCFP-HU4821CU
RCF4824SPAVUA	RCFP-HU4824CU

*CONVERTIBLE TO HORIZONTAL USING PARTS FROM ORIGINAL COIL OR USING RXHH KIT.

2.5 COIL SPECIFICATIONS

2.5A Coil Specifications: Dimensions & Weights (See Figure 2)

FIGURE 2
DIMENSIONS & WEIGHTS



DIMENSIONS AND WEIGHTS DATA

Coil Model	Connections I.D.		Cased Coil Dimensions (in.) [mm]		Weight	
	Sweat (in) [mm]		B	A	Coil Weight (lbs.) [Kg]	Shipping Weight (lbs.) [Kg]
	Liquid	Suction				
2414S	3/8 [9.53]	3/4 [19.05]	14 [356]	20 ¹ / ₁₆ [535]	45 [20]	49 [22]
2417S	3/8 [9.53]	3/4 [19.05]	17 ¹ / ₂ [445]	14 ¹ / ₂ [368]	43 [19]	48 [21]
2417M 3617S 2417H	3/8 [9.53]	3/4 [19.05]	17 ¹ / ₂ [445]	17 ⁷ / ₈ [454]	49 [22]	54 [24]
2421M 3621S 2417H	3/8 [9.53]	3/4 [19.05]	21 [533]	17 ¹ / ₂ [445]	51 [23]	57 [25]
3621M 4821S	3/8 [9.53]	7/8 [22.23]	21 [533]	25 ⁷ / ₈ [657]	71 [32]	78 [35]
3624M 4824S	3/8 [9.53]	7/8 [22.23]	24 ¹ / ₂ [622]	25 ³ / ₈ [645]	83 [38]	93 [42]
3624H 4824H 6024H 6024S	3/8 [9.53]	7/8 [22.23]	24 ¹ / ₂ [622]	30 ¹ / ₄ [768]	100 [45]	110 [50]

*The 14 inch, 2 ton (-)CFA/(-)CFL Coil (2414/2514) is part of the "N" Design Series, even though the coil shape resembles an "A" design.

2.5B Coil Specifications: Airflow Pressure Drop

TABLE 1
AIRFLOW PRESSURE DROP

Coil Model RCF	Approx. Design Air Flow CFM [L/s] Range	Face Area Sq. Ft. [m ²]	Fins-in./ Rows Deep	Static Pressure Drop Through Wet Cooling Coil [kPa] CFM [L/s] / (Inches W.C.) [kPa]													
				600 [283]	700 [330]	800 [378]	900 [425]	1000 [472]	1100 [519]	1200 [566]	1300 [614]	1400 [661]	1500 [708]	1600 [755]	1700 [802]	1800 [850]	1900 [897]
HIGH EFFICIENCY COOLING COILS																	
2414S	600/900 [283]	4.56 [0.42]	16/2	.22 [.055]	.29 [.072]	.36 [.090]	.44 [.110]	—	—	—	—	—	—	—	—	—	—
2417S	600/900 [283]	4.56 [0.42]	16/2	.15 [.039]	.19 [.049]	.23 [.059]	.30 [.076]	—	—	—	—	—	—	—	—	—	—
2417H / 2417M 3617S	600/1300	5.70 [0.53]	16/2	.11 [.03]	.14 [.035]	.17 [.043]	.21 [.053]	.26 [.064]	.31 [.080]	.36 [.092]	.41 [.103]	—	—	—	—	—	—
2421M / 2421H 3621S	600/1300	5.70 [0.53]	16/2	.08 [.02]	.11 [.03]	.14 [.043]	.18 [.047]	.23 [.058]	.27 [.069]	.31 [.080]	.37 [.094]	—	—	—	—	—	—
3621M / 4821S	900/1700	8.55 [0.79]	16/2	—	—	—	0.15 [.03]	.18 [.04]	0.2 [.05]	.22 [.056]	.25 [.063]	.28 [.071]	.32 [.081]	.36 [.092]	.41 [.103]	—	—
3624M / 4824S	900/1700	8.55 [0.79]	16/2	—	—	—	0.15 [.03]	0.18 [.04]	0.2 [.05]	.22 [.056]	.25 [.063]	.28 [.071]	.32 [.081]	.36 [.092]	.41 [.103]	—	—
3624H / 4824H 6024S / 6024H	900/1900 [897]	9.98 [0.93]	14/3	—	—	—	0.09 [.02]	0.11 [.025]	0.14 [.03]	0.16 [.04]	0.19 [.05]	0.21 [.05]	0.24 [.06]	.27 [.070]	.30 [.076]	.34 [.084]	.37 [.094]

NOTE: Represents Coil-Only Airflow Ratings.
[] Designates Metric Conversion

3.0 INSTALLATION

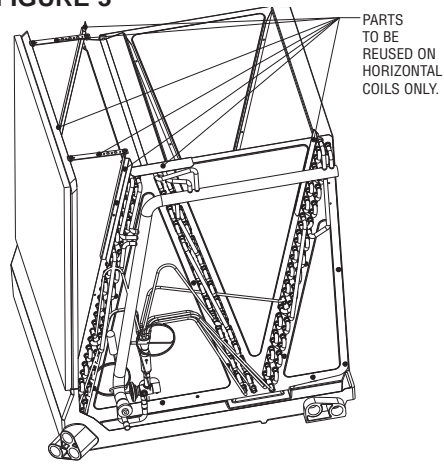
3.1 APPLICATIONS

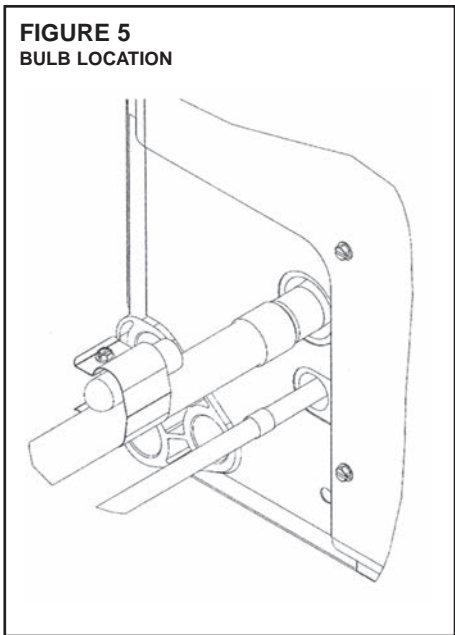
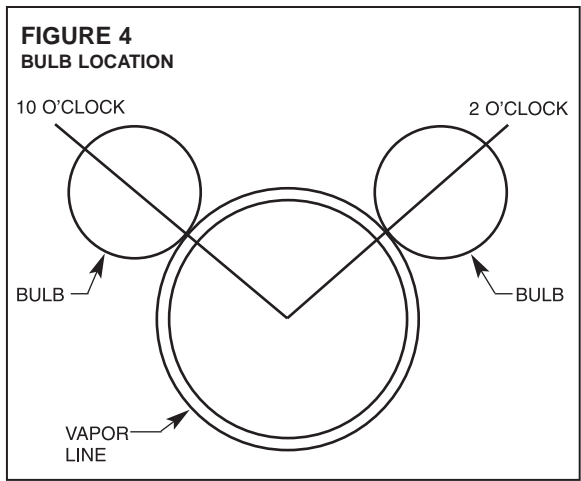
(-)-CF coils can be applied in upflow and downflow applications without modification. Coils to be applied in horizontal left or right application will require the installation of a horizontal drip shield and water management part from old coil. See Figure 3.

TABLE 2
COIL APPLICATION

Coil Model (-)CF	Furnace Width (In.) [mm]	
	Oil	Gas
2414S 2417S 2417M 3617S 2417H	—	14 [356]
2417S 2417M 3617S 2417H	17 [431]	17½ [444]
		14 [356]
2421M 3621S 3621M 4821S 2421H 4821S	21 [533]	21 [533]
		17½ [444]
3624H 9824H 6024H 3624M 6024S 4824S	24½ [622]	24½ [622]
		21 [533]

FIGURE 3





3.2 REFRIGERANT CONNECTIONS

Keep the coil connections sealed until refrigerant connections are to be made. See the Installation Instructions for the outdoor unit for details on line sizing, tubing installation, and charging information.

Coil is shipped with a low (5 - 10 PSIG) pressure charge of dry nitrogen. Evacuate the system before charging with refrigerant.

Install refrigerant tubing so that it does not block service access to the front of the unit.

Nitrogen should flow through the refrigerant lines while brazing.

Use a brazing shield to protect the cabinet's paint from being damaged by torch flames.

After the refrigerant connections are made, seal the gap around the connections with pressure sensitive gasket. If necessary, cut the gasket into two pieces for a better seal (See Figure 4.)

3.3 TXV SENSING BULB

IMPORTANT: DO NOT perform any soldering with the TEV bulb attached to any line.

After soldering operations have been completed, clamp the TEV bulb securely on the suction line at the 10 to 2 o'clock position with the strap provided in the parts bag.

Insulate the TEV sensing bulb and suction line with the provided pressure sensitive insulation (size 4" x 7") and secure with provided wire ties.

IMPORTANT: TEV sensing bulb should be located on a horizontal section of suction line, just outside of coil box. Sensing bulb should never be placed on any aluminum tube.

3.4 FLOW CHECK PISTON

▲ NOTICE

FOR PROPER SYSTEM OPERATION, IT MAY BE NECESSARY TO REPLACE THE PISTON INSTALLED IN THE INDOOR COIL. CHECK THE SERVICE VALVES ON THIS UNIT TO SEE IF A NOTICE TAG ALONG WITH A PLASTIC BAG CONTAINING A PISTON IS ATTACHED. IF ONE IS PRESENT A CHANGE OF THE PISTON IS REQUIRED. FAILURE TO CHANGE THE PISTON CAN RESULT IN IMPROPER PERFORMANCE OF THE SYSTEM.

The flow check piston is a multi-purpose device. With flow into the compression nut end from the liquid line, the piston is in a check position and acts as the expansion device with flow through the metering orifice in the center of the piston. The "O" ring on the end of the piston prevents refrigerant from bypassing the metering orifice. Flow from the metering orifice is centered into a distributor which serves to evenly distribute refrigerant to the evaporator circuits. With flow in the reverse direction (direction of arrows on the distributor body), the piston is forced off the seat and liquid from the condenser is allowed to free flow around the piston.

It is essential that the heat pump indoor and outdoor sections be properly matched. Use only matched components as shown in sales specification sheets.

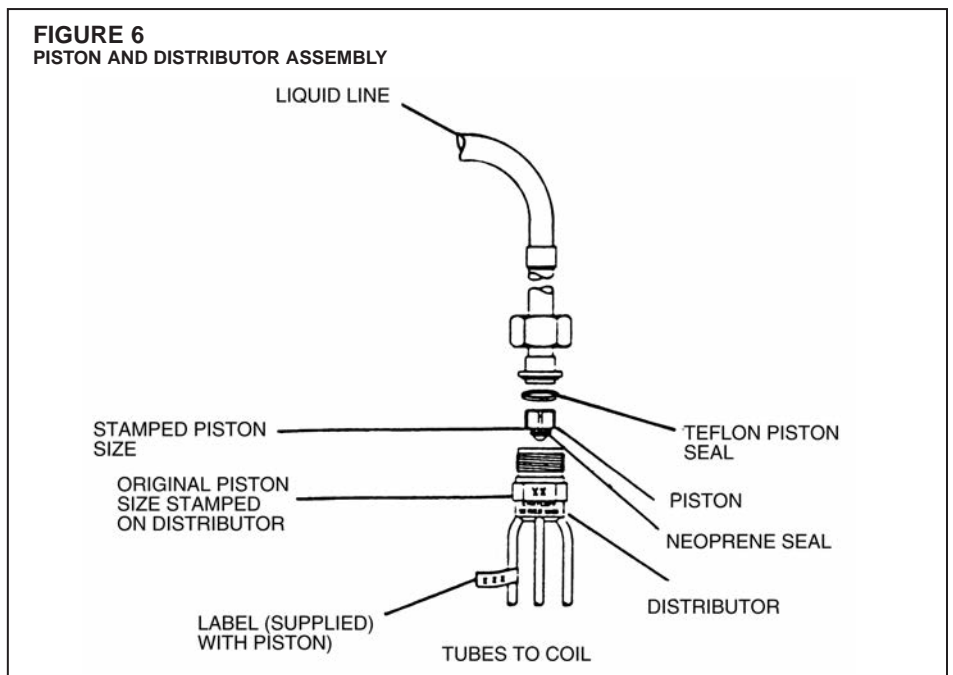
A piston size that is too small will cause starving and one that is too large will cause flooding. In either case, system performance, reliability and charge balance (heating and cooling) will be unacceptable.

Change the piston in the distributor on the indoor coil before installing the coil and charging the system following the procedure below:

- Using a back-up wrench on the distributor body, loosen the compression nut to gain access to the piston.
- Using the wire provided with replacement pistons, run (hooked end) through hole in piston.
- Hook nose end of piston and lift gently from distributor body.
- Replace piston with one of proper size (see Table 4), install piston with gasket end of piston in distributor. Do not force piston into distributor.
- **NOTE:** With piston in distributor, seal end should be down and should not be seen looking in end of distributor. Piston must be free to rotate and move up and down. Make sure piston is free to move in distributor body.
- Insure distributor gasket is located properly in the distributor body.
- Replace compression nut using back-up wrench on distributor body. Torque compression nut end with 8 to 10 ft. lbs.
- Original piston size is stamped on outside of distributor body. Remove new piston size label from poly bag new piston came in and install new size label on outside of distributor tube.
- Check fittings for leaks after installation, evacuation and charging is complete.

IMPORTANT: Do not attempt to drill pistons to size in the field. Metering holes have a special chamfered inlet and cannot be modified.

IMPORTANT: Do not replace the neoprene "O" ring on the piston with any type of seal. Contact the parts department for the exactly replacement of "O" ring.



3.5 CONDENSATE DRAIN TUBING

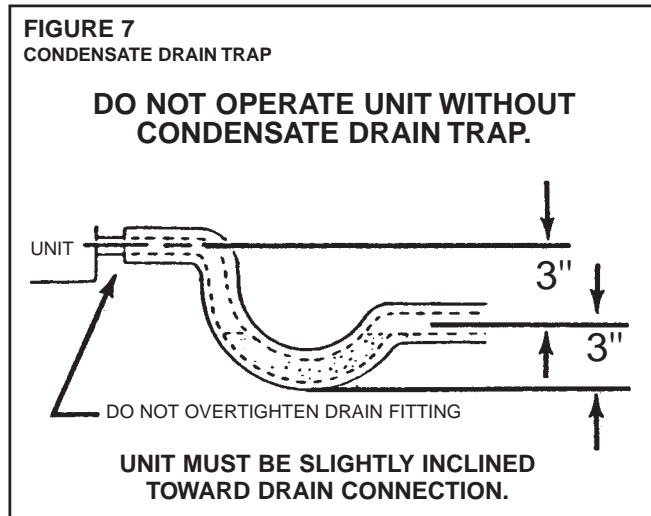
Condensate trap (on gas furnace applications) for the primary drain is optional except when required by local code or ordinance.

IMPORTANT: When making drain fitting connections to the drain pan, use a thin layer of Teflon paste, silicone or Teflon tape and install hand tight.

IMPORTANT: When making drain fitting connections to drain pan, do not overtighten. Overtightening fittings can split pipe connections on the drain pan.

- Install drain lines so they do not block service access to front of the unit. Minimum clearance of 24 inches is required for filter, coil or blower removal and service access.
- Make sure unit is level or pitched slightly toward primary drain connection so that water will drain completely from the pan. (See Figure 7.)
- Do not reduce drain line size less than connection size provided on condensate drain pan.
- All drain lines must be pitched downward away from the unit a minimum of 1/8" per foot of line to ensure proper drainage.

- Do not connect condensate drain line to a closed or open sewer pipe. Run condensate to an open drain or outdoors.
- The drain line should be insulated where necessary to prevent sweating and damage due to condensate forming on the outside surface of the line.
- Make provisions for disconnecting and cleaning of the primary drain line should it become necessary. Install a 3 in. trap in the primary drain line as close to the unit as possible. Make sure that the top of the trap is below connection to the drain pan to allow complete drainage of pan (See Figure 7).



- Auxiliary drain line should be run to a place where it will be noticeable if it becomes operational. Occupant should be warned that a problem exists if water should begin running from the auxiliary drain line.
- Plug the unused drain connection with the plugs provided in the parts bag, using a thin layer of teflon paste, silicone or teflon tape to form a water tight seal.
- Test condensate drain pan and drain line after installation is complete. Pour water into drain pan, enough to fill drain trap and line. Check to make sure drain pan is draining completely, no leaks are found in drain line fittings, and water is draining from the termination of the primary drain line.

CAUTION

It is recommended that an auxiliary/secondary drain pan be installed under units containing evaporator coils that are located in any area of a structure where damage to the building or building contents may occur as a result of an overflow of the coil drain pan or a stoppage in the primary condensate drain piping.

4.0 MAINTENANCE

⚠ WARNING

These instructions are intended as an aid to qualified licensed service personnel for proper installation, adjustment and operation of this unit. Read these instructions thoroughly before attempting installation or operation. Failure to follow these instructions may result in improper installation, adjustment, service or maintenance possibly resulting in fire, electrical shock, property damage, personal injury or death.

For continuing high performance and to minimize possible equipment failure, it is essential that annual maintenance be performed on this equipment. Consult your local dealer as to the availability of a maintenance contract.

4.1 AIR FILTER

Check the system filter every ninety days or as often as found to be necessary and if obstructed, clean or replace at once.

IMPORTANT: Do not operate the system without a filter in place.

4.2 INDOOR COIL - DRAIN PAN - DRAIN LINE

Inspect the indoor coil once each year for cleanliness and clean as necessary. In some cases, it may be necessary to remove the filter and check the return side of the coil with a mirror and flashlight.

IMPORTANT: Do not use caustic household drain cleaners or bleach in the condensate pan or near the indoor coil. Drain cleaners will quickly damage the indoor coil.

5.0 ACCESSORIES

5.1 PLENUM ADAPTER ACCESSORIES

NOTE: In a plenum installation on an unknown manufacturer's furnace, there must be a minimum of 6" clearance from the top of the furnace to avoid limit-tripping.

RXBA-AE

This plenum adapter accessory is for use with the 24-1/2" wide cased indoor cooling and heat pump coils. This allows a 24-1/2 wide cased coil to be installed on a 28" wide oil furnace. This is a field-installed accessory only.

RXBA-AC (Upflow/Horizontal 80% Furnaces)

RXBA-AD (Downflow/Horizontal 90 Plus Furnaces)

This plenum adapter accessory is for installation on cased indoor cooling and heat pump coils. This allows a nominal size cased coil to be installed on the next smaller size gas or oil furnace. **NOTE: This accessory is for installation on coil casings to fit gas or oil furnaces only - this accessory must not be used on electric furnaces or heat pump air handlers.** Consult the installation instructions packaged with the accessory for proper installation.

5.2 HORIZONTAL ADAPTER KIT

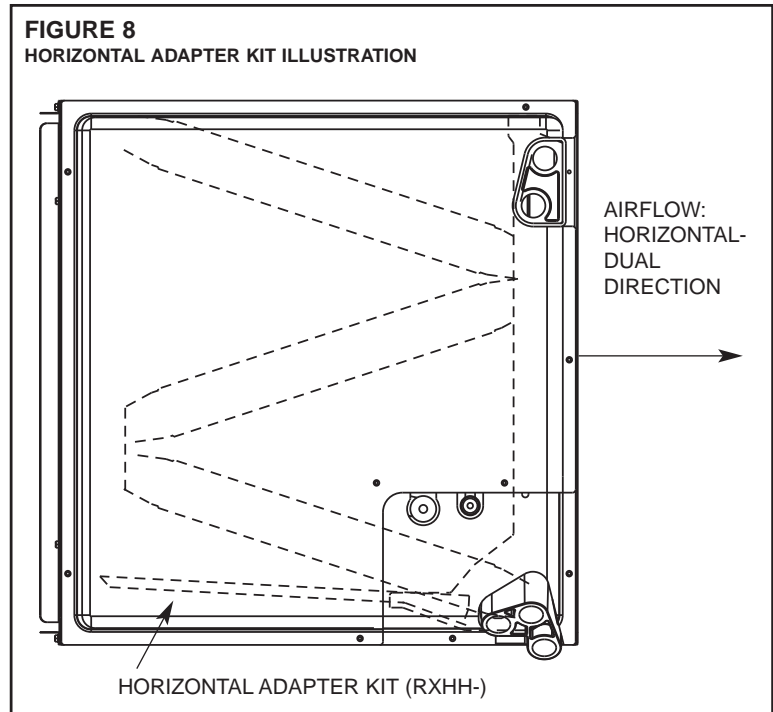
RXHH- (See Figure 8)

This horizontal adapter kit is used to convert an upflow or downflow coil for a horizontal application. See Table 3 to order the proper horizontal adapter kit.

TABLE 3
HORIZONTAL ADAPTER KIT

Coil Model	Horizontal Adapter Kit Model No.
RCF2414STAVUA	RXHH-A01
RCF2417STAVUA	RXHH-A02
RCF2417STAVUA	RXHH-A03
RCF2421STAVUA	RXHH-A03
RCF3617STAVUA	RXHH-A03
RCF3621STAVUA	RXHH-A03
RCF3621STAVUA	RXHH-A04
RCF3624STAVUA	RXHH-A04
RCF4821STAVUA	RXHH-A04
RCF4824STAVUA	RXHH-A04
RCF6024STAVUA	RXHH-A05
RCF2417HTAVUA	RXHH-A03
RCF2421HTAVUA	RXHH-A03
RCF3624HTAVUA	RXHH-A05
RCF4824HTAVUA	RXHH-A05
RCF6024HTAVUA	RXHH-A05
RCF2417SPAVUA	RXHH-A02
RCF3617SPAVUA	RXHH-A03
RCF3621SPAVUA	RXHH-A03
RCF4821SPAVUA	RXHH-A04
RCF4824SPAVUA	RXHH-A04

FIGURE 8
HORIZONTAL ADAPTER KIT ILLUSTRATION



5.3 INDOOR COIL CASING RXBC - (See Figure 9 & Table 4)

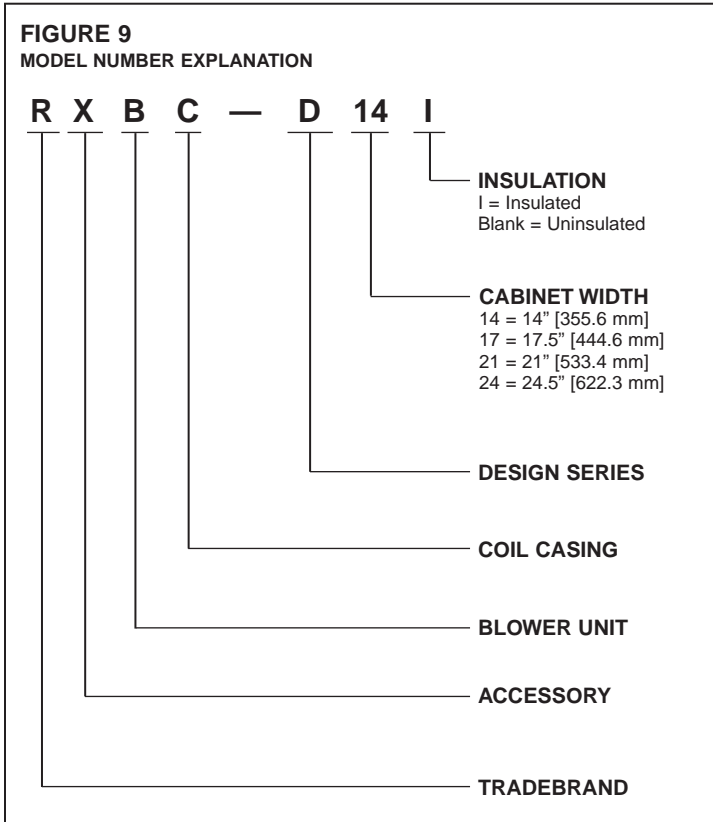


TABLE 4
UNIT DIMENSIONS & WEIGHTS — RXBC- INDOOR COIL CASINGS

Indoor Coil Casing Model Number	Width In.	Height In.	Depth In.	Weight	Shipping Weight	Supply Air/Return Air Openings	
				Lbs [Kg]	Lbs [Kg]	Width In.	Depth In.
RXBC-D14AI	14	23 ³ / ₁₆	21-5/8	19 [9]	23 [10]	13	19 ³ / ₃₂
RXBC-D17AI	17 ¹ / ₂	20		18 [8]	23 [10]	16 ¹ / ₂	
RXBC-D21AI	21	20		20 [9]	26 [12]	20	
RXBC-D21BI	21	28		27 [12]	36 [17]	20	
RXBC-D24AI	24 ¹ / ₂	32 ¹ / ₂		34 [16]	44 [20]	23 ¹ / ₂	

5.4 UNCASSED COIL ADAPTER KIT

RXBA- (See Figure 10 & 11)

This uncased coil adapter kit is used to adapt the coil to a furnace or ductwork. See Table 5 to order the proper adapter kit. Each kit contains a quantity a 20 adapters.

FIGURE 10
UNCASSED COIL ADAPTER KIT ILLUSTRATION

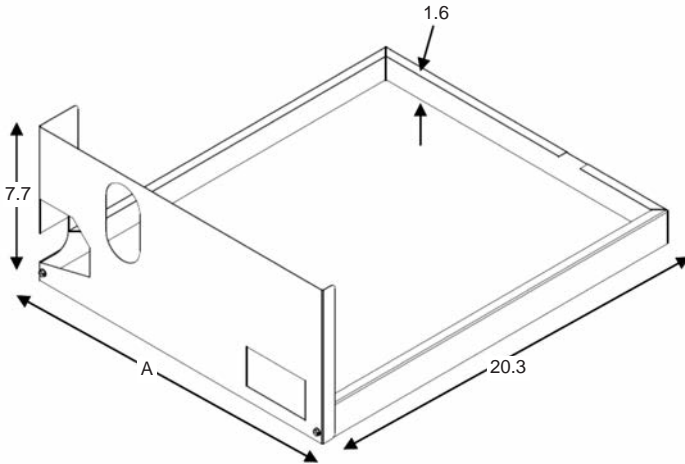


FIGURE 11
UNCASSED COIL ADAPTER KIT ASSEMBLED

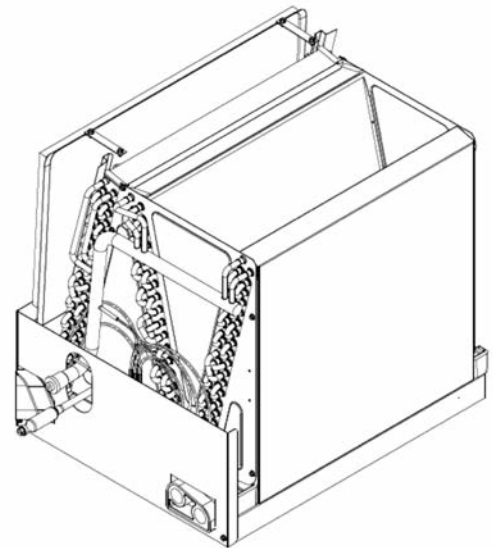


TABLE 5
UNCASSED COIL ADAPTER KIT

Uncased Coil Adapter Model Number RXBA	A Width In.	Uncased Coil Model (-)CFA/L
B14x20	13.1	-HUxx14
B17x20	16.6	-HUxx17
B21x20	20.1	-HUxx21
B24x20	23.6	-HUxx24

NOTE: Sliding the coil into the coil rail before attaching coil rack front.

