



RAWL

Parts List
10-December-2013



*This parts list is current as of the above revision date.
See <http://www.rheempartslists.net/92-42800-RAWL.pdf> for the current revision.*

Condensing Units - Commercial

Table of Contents

Model Explanation	Page 3
Parts Numbers	
Panels - Miscellaneous (Granite-Steel Gray)	Page 4
Panels - Miscellaneous (Neutra Green)	Page 5
Electrical Group	Page 6
Fan Group	Page 7
Coil Parts	Page 8
Compressor Group	Page 9
Accessories	Page 10
Drawings/Photographs	
Exploded View 078-090	Page 11
Exploded View 120-150	Page 12
Exploded View 180-240	Page 13
Control Box Assembly 078-090	Page 14
Control Box Assembly 120-240	Page 14
Compressor Assembly 120-240	Page 15
Notes/Disclaimer	Page 16

MODEL NUMBER EXPLANATION

R	A	W	L	-	1	2	0	C	A	Z
1	2	3	4		5			6	7	8

- 1 TRADEBRAND IDENTIFICATION**
- 2 TYPE**
A = Condensing Unit
- 3 DESIGNATION**
W = Standard Efficiency Commercial
- 4 DESIGN SERIES**
- 5 COOLING CAPACITY**
078 = 6.5 Tons 150 = 12.5 Tons
090 = 7.5 Tons 180 = 15 Tons
120 = 10 Tons 240 = 20 Tons
125 = 10 Tons (Two Stage)
- 6 ELECTRICAL DESIGNATION**
C = 208-230/3/60
D = 460/3/60
Y = 575/3/60
- 7 DESIGN VARIATION**
A = Standard
- 8 COMPRESSOR TYPE**
Z = Scroll Compressor

SERIAL NUMBER EXPLANATION (Units Produced before Nov. 2013)

7	7	5	3	F	4	6	0	8	9	9	9	9	
		1			2	3			4				5

- 1 COMPRESSOR IDENTIFICATION NUMBER**
- 2 PRODUCTION LOCATION**
F = Fort Smith, AR
- 3 WEEK OF PRODUCTION**
- 4 YEAR OF PRODUCTION**
- 5 PRODUCTION NUMBER**

SERIAL NUMBER EXPLANATION (Units Produced after Nov. 2013)

F	0	8	1	3	9	9	9	9
(1)	(2)		(3)		(4)			

- (1) PLANT CODE**
F = Fort Smith, AR
- (2) WEEK OF PRODUCTION**
- (3) YEAR OF PRODUCTION**
- (4) PRODUCTION NUMBER**

Note: For Compressor Identification Number, see Compressor Code on Rating Plate

No.	Notes	MODEL COOLING CAPACITY	RAWL 078	RAWL 090			
PANELS, MISCELLANEOUS PARTS (Granite Steel Gray - After F4411)							
1		Base Pan	AE-58426-83	AE-58426-83			
3		Button Plug	45-22980-07	45-22980-07			
4		Cabinet	AS-100609-07H	AS-100609-07H			
5		Top Panel	AS-100618-05H	AS-100618-05H			
8		Grille	95-100906-05	95-100906-05			
9		Control Box	AE-100633-01	AE-100633-01			
10		Access Panel	AS-100617-07H	AS-100617-07H			
13a		Service Valve (Liquid)			See Coil Group		
13b		Service Valve (Suction)			See Coil Group		
17		Adapter Plate	AE-54609-02	AE-54609-02			
		Mounting Bracket - Service Valve	AE-102833-02	AE-102833-02			
		Valve Mounting Bracket	AE-56389-02	AE-56389-02			

No.	Notes	MODEL COOLING CAPACITY	RAWL 120	RAWL 125	RAWL 150	RAWL 180	RAWL 240
PANELS, MISCELLANEOUS PARTS (Granite Steel Gray - After F4411)							
1		Base Rail - End	AE-90925-01	AE-90925-01	AE-90925-01	AE-90925-01	AE-90925-01
2		Base Rail - Side	AE-90925-03	AE-90925-03	AE-90925-04	AE-90925-02	AE-90925-02
3		Middle Support Base Rail	AE-90925-05	AE-90925-05	AE-90925-05	AE-90925-05	AE-90925-05
4		Base Pan	AS-90929-02H	AS-90929-02H	AS-90929-04H	AS-90929-05H	AS-90929-01H
5		Wire Grille	95-42507-01	95-42507-01	95-42507-01	95-42507-01	95-42507-01
6		Access Panel - Front	AS-90937-01H	AS-90937-01H	AS-90937-01H	AS-90937-01H	AS-90937-01H
7		Access Panel - Rear	AS-90938-01H	AS-90938-01H	AS-90938-01H	AS-90938-01H	AS-90938-01H
8		Corner Post (4)	AS-90930-01H	AS-90930-01H	AS-90930-01H	AS-90930-01H	AS-90930-01H
9		Louvered Panel (4)	AS-90944-08H	AS-90944-08H	AS-90944-03H	AS-90944-01H	AS-90944-01H
10		Center Post	AS-90931-01H	AS-90931-01H	AS-90931-01H	AS-90931-01H	AS-90931-01H
11		Connection Panel	AS-90936-04H	AS-90936-04H	AS-90936-04H	AS-90936-03H	AS-90936-03H
12		Top Panel	AS-90942-02H	AS-90942-02H	AS-90942-04H	AS-90942-01H	AS-90942-01H
13		Venturi Ring	AS-90632-01H	AS-90632-01H	AS-90632-01H	AS-90632-01H	AS-90632-01H
14		Control Box Cover	AS-90935-01H	AS-90935-01H	AS-90935-01H	AS-90935-01H	AS-90935-01H
15		Control Box	AS-90933-02	AS-90933-02	AS-90933-02	AS-90933-02	AS-90933-02
16		Control Box Mounting Bracket - Side	AE-90934-01	AE-90934-01	AE-90934-01	AE-90934-01	AE-90934-01
17		Control Box Mounting Bracket - Top	AE-90934-02	AE-90934-02	AE-90934-02	AE-90934-02	AE-90934-02
18		Control Box Mounting Bracket - Bottom	AS-90934-03H	AS-90934-03H	AS-90934-03H	AS-90934-03H	AS-90934-03H
19		Guard for High Pressure Control	AS-76160-01H	AS-76160-01H	AS-76160-01H	AS-76160-01H	AS-76160-01H
20		Hole Plug	45-40356-10	45-40356-10	45-40356-10	45-40356-10	45-40356-10
		Mounting Bracket - Service Valve	AE-102833-02	AE-102833-02	AE-102833-02	AE-102833-02	AE-102833-02
		Switch Mounting Bracket	AE-90946-01	AE-90946-01	AE-90946-01	AE-90946-01	AE-90946-01

No.	Notes	MODEL COOLING CAPACITY	RAWL 078	RAWL 090			
PANELS, MISCELLANEOUS PARTS (Neutra Green - Before F4411)							
1		Base Pan	AE-58426-03	AE-58426-03			
3		Button Plug	45-22980-07	45-22980-07			
4		Cabinet	AE-100609-07	AE-100609-07			
5		Top Panel	AE-100618-05	AE-100618-05			
8		Grille	95-100906-05	95-100906-05			
9		Control Box	AE-100633-01	AE-100633-01			
10		Access Panel	AE-100617-07	AE-100617-07			
13a		Service Valve (Liquid)			See Coil Group		
13b		Service Valve (Suction)			See Coil Group		
17		Adapter Plate	AE-54609-02	AE-54609-02			
		Mounting Bracket - Service Valve (Before F3310)	AE-102833-01	AE-102833-01			
		Mounting Bracket - Service Valve (After F3310)	AE-102833-02	AE-102833-02			
		Valve Mounting Bracket	AE-56389-02	AE-56389-02			

No.	Notes	MODEL COOLING CAPACITY	RAWL 120	RAWL 125	RAWL 150	RAWL 180	RAWL 240
PANELS, MISCELLANEOUS PARTS (Neutra Green - Before F4411)							
1		Base Rail - End	AE-90925-01	AE-90925-01	AE-90925-01	AE-90925-01	AE-90925-01
2		Base Rail - Side	AE-90925-03	AE-90925-03	AE-90925-04	AE-90925-02	AE-90925-02
3		Middle Support Base Rail	AE-90925-05	AE-90925-05	AE-90925-05	AE-90925-05	AE-90925-05
4		Base Pan	AS-90929-02	AS-90929-02	AS-90929-04	AS-90929-05A	AS-90929-01
5		Wire Grille	95-42507-01	95-42507-01	95-42507-01	95-42507-01	95-42507-01
6		Access Panel - Front	AS-90937-01A	AS-90937-01A	AS-90937-01A	AS-90937-01A	AS-90937-01A
7		Access Panel - Rear	AS-90938-01A	AS-90938-01A	AS-90938-01A	AS-90938-01A	AS-90938-01A
8		Corner Post (4)	AS-90930-01A	AS-90930-01A	AS-90930-01A	AS-90930-01A	AS-90930-01A
9		Louvered Panel (4)	AS-90944-08A	AS-90944-08A	AS-90944-03A	AS-90944-01A	AS-90944-01A
10		Center Post	AS-90931-01A	AS-90931-01A	AS-90931-01A	AS-90931-01A	AS-90931-01A
11		Connection Panel - Before F3310	AS-90936-02A	AS-90936-02A	AS-90936-02A	AS-90936-01A	AS-90936-01A
11		Connection Panel - After F3310	AS-90936-04A	AS-90936-04A	AS-90936-04A	AS-90936-03A	AS-90936-03A
12		Top Panel	AS-90942-02	AS-90942-02	AS-90942-04	AS-90942-01	AS-90942-01
13		Venturi Ring	AS-90632-01A	AS-90632-01A	AS-90632-01A	AS-90632-01A	AS-90632-01A
14		Control Box Cover	AS-90935-01A	AS-90935-01A	AS-90935-01A	AS-90935-01A	AS-90935-01A
15		Control Box	AS-90933-02	AS-90933-02	AS-90933-02	AS-90933-02	AS-90933-02
16		Control Box Mounting Bracket - Side	AE-90934-01	AE-90934-01	AE-90934-01	AE-90934-01	AE-90934-01
17		Control Box Mounting Bracket - Top	AE-90934-02	AE-90934-02	AE-90934-02	AE-90934-02	AE-90934-02
18		Control Box Mounting Bracket - Bottom	AS-90934-03A	AS-90934-03A	AS-90934-03A	AS-90934-03A	AS-90934-03A
19		Guard for High Pressure Control;	AS-76160-01A	AS-76160-01A	AS-76160-01A	AS-76160-01A	AS-76160-01A
20		Hole Plug	45-40356-10	45-40356-10	45-40356-10	45-40356-10	45-40356-10
		Mounting Bracket - Service Valve (Before F3310)	AE-102833-01	AE-102833-01	AE-102833-01	AE-102833-01	AE-102833-01
		Mounting Bracket - Service Valve (After F3310)	AE-102833-02	AE-102833-02	AE-102833-02	AE-102833-02	AE-102833-02
		Switch Mounting Bracket	AE-90946-01	AE-90946-01	AE-90946-01	AE-90946-01	AE-90946-01

No.	Notes	MODEL COOLING CAPACITY ELECTRICAL DESIGNATION	RAWL 078 C	RAWL 090 C	RAWL 078 D	RAWL 090 D	RAWL 078 Y	RAWL 090 Y
ELECTRIC GROUP								
14	Stk	Control Transformer	46-41930-01	46-41930-01	46-41930-01	46-41930-01	46-22384-01	46-22384-01
15	Stk	Contacto	42-22464-01	42-22464-02	42-22464-01	42-22464-01	42-22464-01	42-22464-01
18		Low Ambient Control	See Coil Group					
		Control Bracket - Low Ambient Control	AE-90946-01	AE-90946-01	AE-90946-01	AE-90946-01	AE-90946-01	AE-90946-01

No.	Notes	MODEL COOLING CAPACITY ELECTRICAL DESIGNATION	RAWL 120 C	RAWL 125 C	RAWL 120 D	RAWL 125 D	RAWL 120 Y	RAWL 125 Y
ELECTRICAL GROUP								
32	Stk	Contacto	42-42667-03 (1)	42-42667-02 (2)	42-42667-03 (1)	42-42667-02 (2)	42-42667-03 (1)	42-42667-02 (2)
33		Terminal Block	N/A	45-41669-01	N/A	45-41669-01	N/A	45-41669-01
34	Stk	Relay	N/A	42-19736-07	N/A	42-19736-07	N/A	42-19736-07
35	Stk	Transformer	46-42515-01	46-42515-01	46-42505-02	46-42505-02	46-42505-02	46-42505-02
36	Stk	Time Delay Relay	N/A	42-22906-01	N/A	42-22906-01	N/A	42-22906-01
37		High Pressure Control	See Coil Group					
38		Low Pressure Control	See Coil Group					
39		Low Ambient Control	See Coil Group					
		Wiring Harness - Outdoor Fan Motors	45-42522-60	45-42522-60	45-42522-60	45-42522-60	45-42522-60	45-42522-60
		Wiring Harness - Compressor	45-42522-63	45-42522-61	45-42522-63	45-42522-61	45-42522-63	45-42522-61

No.	Notes	MODEL COOLING CAPACITY ELECTRICAL DESIGNATION	RAWL 150 C	RAWL 180 C	RAWL 240 C	RAWL 150 D	RAWL 180 D	RAWL 240 D
32	Stk	Contacto	42-42667-03 (2)	42-42667-03 (2)	42-42667-01 (1)	42-42667-03 (2)	42-42667-03 (2)	42-42667-03 (2)
33		Terminal Block	45-41669-01	45-41669-01	45-41669-01	45-41669-01	45-41669-01	45-41669-01
34	Stk	Relay	42-19736-07	42-19736-07	42-19736-07	42-19736-07	42-19736-07	42-19736-07
35	Stk	Transformer	46-42515-01	46-42515-01	46-42515-04	46-42505-02	46-42515-02	46-42515-05
36	Stk	Time Delay Relay	42-22906-01	42-22906-01	42-22906-01	42-22906-01	42-22906-01	42-22906-01
37		High Pressure Control	See Coil Group					
38		Low Pressure Control	See Coil Group					
39		Low Ambient Control	See Coil Group					
		Wiring Harness - Outdoor Fan Motors	45-42522-60	45-42522-56	45-42522-56	45-42522-60	45-42522-56	45-42522-56
		Wiring Harness - Compressor	45-42522-61	45-42522-59	45-42522-94	45-42522-61	45-42522-59	45-42522-94

No.	Notes	MODEL COOLING CAPACITY ELECTRICAL DESIGNATION	RAWL 150 Y	RAWL 180 Y	RAWL 240 Y			
32	Stk	Contacto	42-42667-03 (2)	42-42667-03 (2)	42-42667-03 (2)			
33		Terminal Block	45-41669-01	45-41669-01	45-41669-01			
34	Stk	Relay	42-19736-07	42-19736-07	42-19736-07			
35	Stk	Transformer	46-42505-02	46-42515-02	46-42515-05			
36	Stk	Time Delay Relay	42-22906-01	42-22906-01	42-22906-01			
37		High Pressure Control	See Coil Group					
38		Low Pressure Control	See Coil Group					
39		Low Ambient Control	See Coil Group					
		Wiring Harness - Outdoor Fan Motors	45-42522-60	45-42522-56	45-42522-56			
		Wiring Harness - Compressor	45-42522-61	45-42522-59	45-42522-94			

No.	Notes	MODEL COOLING CAPACITY ELECTRICAL DESIGNATION	RAWL 078 C	RAWL 090 C	RAWL 078 D	RAWL 090 D	RAWL 078 Y	RAWL 090 Y
FAN GROUP								
6	Stk	Fan Blade	70-42484-01	70-42484-01	70-42484-01	70-42484-01	70-42484-01	70-42484-01
7	Stk	Fan Motor	51-100998-13	51-100998-13	51-100998-12	51-100998-12	51-100998-14	51-100998-14
16	Stk	Capacitor - Fan Motor	43-100496-12	43-100496-12	43-100496-12	43-100496-12	43-100496-11	43-100496-11

No.	Notes	MODEL COOLING CAPACITY ELECTRICAL DESIGNATION	RAWL 120 C	RAWL 125 C	RAWL 120 D	RAWL 125 D	RAWL 120 Y	RAWL 125 Y
FAN GROUP								
24	Stk	Fan Motor	51-42534-01 (2)	51-42534-01 (2)	51-42534-02 (2)	51-42534-02 (2)	51-42534-03 (2)	51-42534-03 (2)
25	Stk	Capacitor - Fan Motor	43-100496-12 (2)	43-100496-12 (2)	43-100496-12 (2)	43-100496-12 (2)	43-100496-12 (2)	43-100496-12 (2)
26	Stk	Fan Blade	70-42572-01 (2)	70-42572-01 (2)	70-42572-01 (2)	70-42572-01 (2)	70-42572-01 (2)	70-42572-01 (2)
27		Cap/Rain Shield	56-17070-01 (2)	56-17070-01 (2)	56-17070-01 (2)	56-17070-01 (2)	56-17070-01 (2)	56-17070-01 (2)
28		Motor Mount - Outdoor Fan	70-42504-01 (2)	70-42504-01 (2)	70-42504-01 (2)	70-42504-01 (2)	70-42504-01 (2)	70-42504-01 (2)

No.	Notes	MODEL COOLING CAPACITY ELECTRICAL DESIGNATION	RAWL 150 C	RAWL 180 C	RAWL 240 C	RAWL 150 D	RAWL 180 D	RAWL 240 D
FAN GROUP								
24	Stk	Fan Motor	51-42534-01 (2)	51-42534-01 (3)	51-42534-09 (3)	51-42534-02 (2)	51-42534-02 (3)	51-42534-14 (3)
		Motor Wiring Harness	45-42522-60	45-42522-56	45-42522-56	45-42522-60	45-42522-56	45-42522-56
25	Stk	Capacitor - Fan Motor	43-100496-12 (2)	43-100496-12 (3)	43-100496-41 (3)	43-100496-12 (2)	43-100496-12 (3)	43-100496-12 (3)
26	Stk	Fan Blade	70-42572-01 (2)	70-42572-01 (3)	70-42572-03 (3)	70-42572-01 (2)	70-42572-01 (3)	70-42572-03 (3)
27		Cap/Rain Shield	56-17070-01 (2)	56-17070-01 (3)	56-17070-01 (3)	56-17070-01 (2)	56-17070-01 (3)	56-17070-01 (3)
28		Motor Mount - Outdoor Fan	70-42504-01 (2)	70-42504-01 (3)	70-42504-01 (3)	70-42504-01 (2)	70-42504-01 (3)	70-42504-01 (3)

No.	Notes	MODEL COOLING CAPACITY ELECTRICAL DESIGNATION	RAWL 150 Y	RAWL 180 Y	RAWL 240 Y			
FAN GROUP								
24	Stk	Fan Motor	51-42534-03 (2)	51-42534-03 (3)	51-42534-11 (3)			
		Motor Wiring Harness	45-42522-60	45-42522-56	45-42522-56			
25	Stk	Capacitor - Fan Motor	43-100496-12 (2)	43-100496-12 (3)	43-100496-03 (3)			
26	Stk	Fan Blade	70-42572-01 (2)	70-42572-01 (3)	70-42572-03 (3)			
27		Cap/Rain Shield	56-17070-01 (2)	56-17070-01 (3)	56-17070-01 (3)			
28		Motor Mount - Outdoor Fan	70-42504-01 (2)	70-42504-01 (3)	70-42504-01 (3)			
29		Heat Sink	77-42426-01 (4)	77-42426-01 (2)	77-42426-01 (2)			
		Heat Sink Clip	77-42427-01 (2)	77-42427-01 (1)	77-42427-01 (1)			

No.	Notes	MODEL COOLING CAPACITY	RAWL 078	RAWL 090	
COIL GROUP					
2	Stk	Condenser Coil	AS-102624-01	AS-102625-01	
12	Stk	High Pressure Control	47-23699-05	47-23699-05	
		Distributor - 4 Way (1/2 in. to 3/8 in.) - w/o Liquid Tubes	83-17467-23	N/A	
13a		Service Valve (Liquid)	61-21368-12	61-21368-12	
13b		Service Valve (Suction) - Before F4310	61-102832-04	61-102832-04	
13b		Service Valve (Suction) - After F4310	61-102832-07	61-102832-07	
18	Stk	Low Ambient Control	47-102478-01	47-102478-01	
	Stk	Low Pressure Control	47-101529-09	47-101529-09	
	Stk	Filter Drier	83-22755-10	83-22755-10	

No.	Notes	MODEL COOLING CAPACITY	RAWL 120	RAWL 125	
COIL GROUP					
21	Stk	Condenser Coil	AS-90900-02 (2)	AS-90900-07 (2)	
		Distributor - 2 Way (1/2 in. to 3/8 in.) - w/o Liquid Tubes	83-19988-01	N/A	
		Distributor - 2 Way (3/4 in. to 3/4 in.) - w/o Liquid Tubes	N/A	83-17467-29	
22		Gauge Port	AS-90948-01	AS-90948-01	
23		Gauge Port	AS-90948-02	AS-90948-02	
		Service Valve (Liquid)	61-21368-14	61-21368-14	
		Service Valve (Suction)	61-102832-02	61-102832-02	
37	Stk	High Pressure Control	47-23699-05	47-23699-05	
38	Stk	Low Pressure Control	47-101529-09	47-101529-09	
39	Stk	Low Ambient Control	47-102478-01	47-102478-01	
	Stk	Filter Drier	83-22755-13	83-22755-13	

No.	Notes	MODEL COOLING CAPACITY	RAWL 150	RAWL 180	RAWL 240
COIL GROUP					
21	Stk	Condenser Coil	AS-90900-03 (2)	AS-90900-04 (2)	AS-90900-05 (2)
22		Gauge Port	AS-90948-01	AS-90948-01	AS-90948-01
23		Gauge Port	AS-90948-02	AS-90948-11	AS-90948-11
		Service Valve (Liquid)	61-21368-14	61-21368-14	61-21368-16
		Service Valve (Suction)	61-102832-02	61-102832-03	61-102832-03
37	Stk	High Pressure Control	47-23699-05	47-23699-05	47-23699-05
38	Stk	Low Pressure Control	47-101529-09	47-101529-09	47-101529-09
39	Stk	Low Ambient Control	47-102478-01	47-102478-01	47-102478-01
		Filter Drier	83-22755-11	83-22755-11	83-22755-14

No.	Notes	MODEL COOLING CAPACITY ELECTRICAL DESIGNATION	RAWL 078 C	RAWL 078 D	RAWL 078 Y	RAWL 090 C	RAWL 090 D	RAWL 090 Y
COMPRESSOR GROUP								
		Compressor ID:	7747	7748	7749	7753	7754	7755
11	Stk	Compressor	55-23156-16S	55-23156-17S	55-23156-18S	55-23156-20S	55-23156-21S	55-23156-22S
	Stk	Crankcase Heater	44-17402-10	44-17402-11	44-17402-12	44-17402-10	44-17402-11	44-17402-12

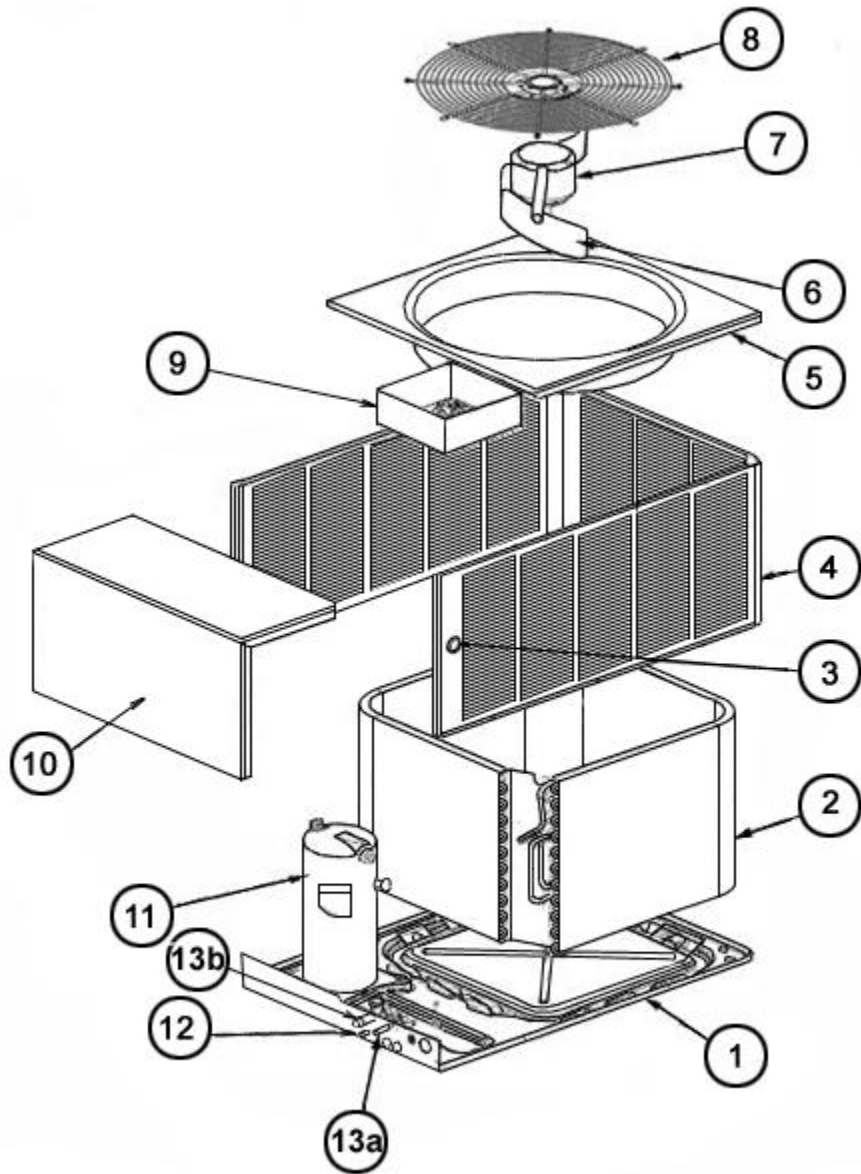
No.	Notes	MODEL COOLING CAPACITY ELECTRICAL DESIGNATION	RAWL 120 C	RAWL 125 C	RAWL 120 D	RAWL 125 D	RAWL 120 Y	RAWL 125 Y
COMPRESSOR GROUP								
		Compressor ID:	7759	7850	7760	7851	7761	7852
30	Stk	Compressor	55-102471-01S	55-102477-01S	55-102471-04S	55-102477-02S	55-102471-05S	55-102477-03S
31	Stk	Crankcase Heater	44-17402-17	44-17402-22 (2)	44-17402-18	44-17402-23 (2)	44-17402-19	44-17402-24 (2)

No.	Notes	MODEL COOLING CAPACITY ELECTRICAL DESIGNATION	RAWL 150 C	RAWL 180 C	RAWL 240 C	RAWL 150 D	RAWL 180 D	RAWL 240 D
COMPRESSOR GROUP								
		Compressor ID:	7919	7925	7931	7920	7926	7932
30	Stk	Compressor	55-102477-05S	55-102477-09S	55-102477-13S	55-102477-06S	55-102477-10S	55-102477-14S
31	Stk	Crankcase Heater	44-17402-22 (2)	44-17402-22 (2)	44-17402-17 (2)	44-17402-23 (2)	44-17402-23 (2)	44-17402-18 (2)

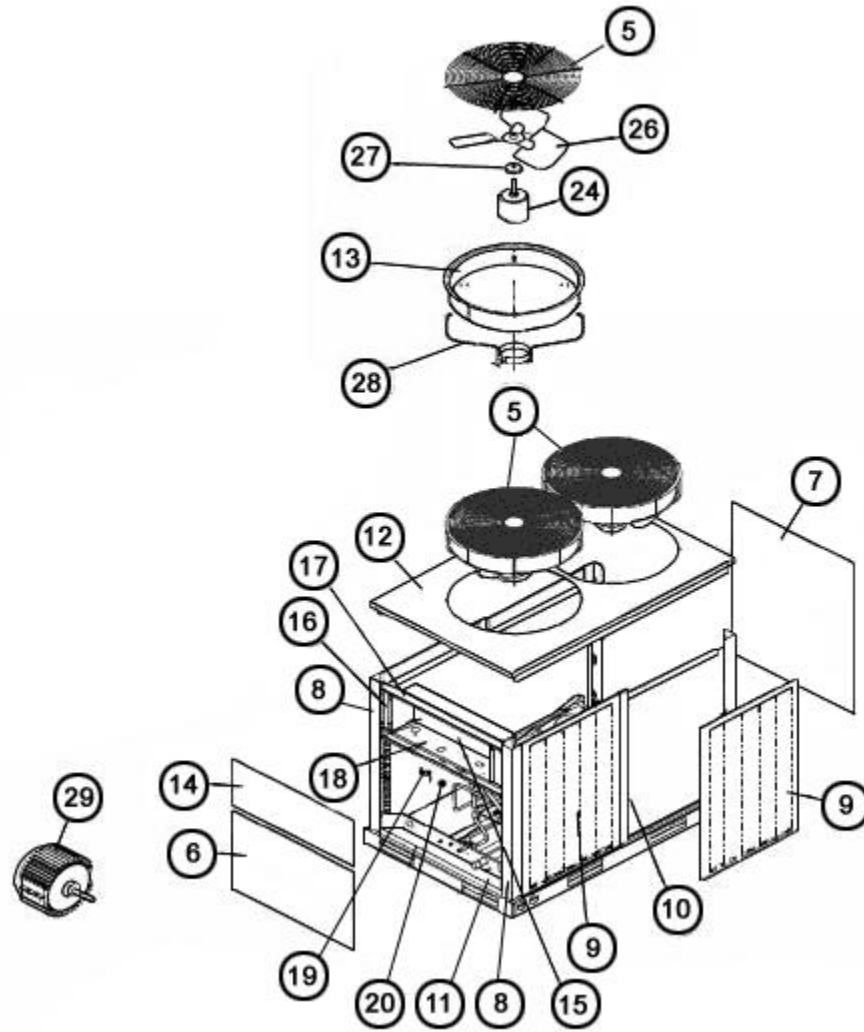
No.	Notes	MODEL COOLING CAPACITY ELECTRICAL DESIGNATION	RAWL 150 Y	RAWL 180 Y	RAWL 240 Y			
COMPRESSOR GROUP								
		Compressor ID:	7921	7927	7933			
30	Stk	Compressor	55-102477-07S	55-102477-11S	55-102477-15S			
31	Stk	Crankcase Heater	44-17402-24 (2)	44-17402-23 (2)	44-17402-19 (2)			

No.	Notes	MODEL COOLING CAPACITY	RAWL 078	RAWL 090	RAWL 120	RAWL 125
ACCESSORY GROUP						
		Anti-Short Cycle Timer Kit	RXAT-A01	RXAT-A01	N/A	N/A
		Liquid Line Solenoid Valve	RXAV-CD078	RXAV-CD078	RXAV-CD120	RXAV-CD120
		Sight Glass	RXAG-A048	RXAG-A048	RXAG-A048	RXAG-A048

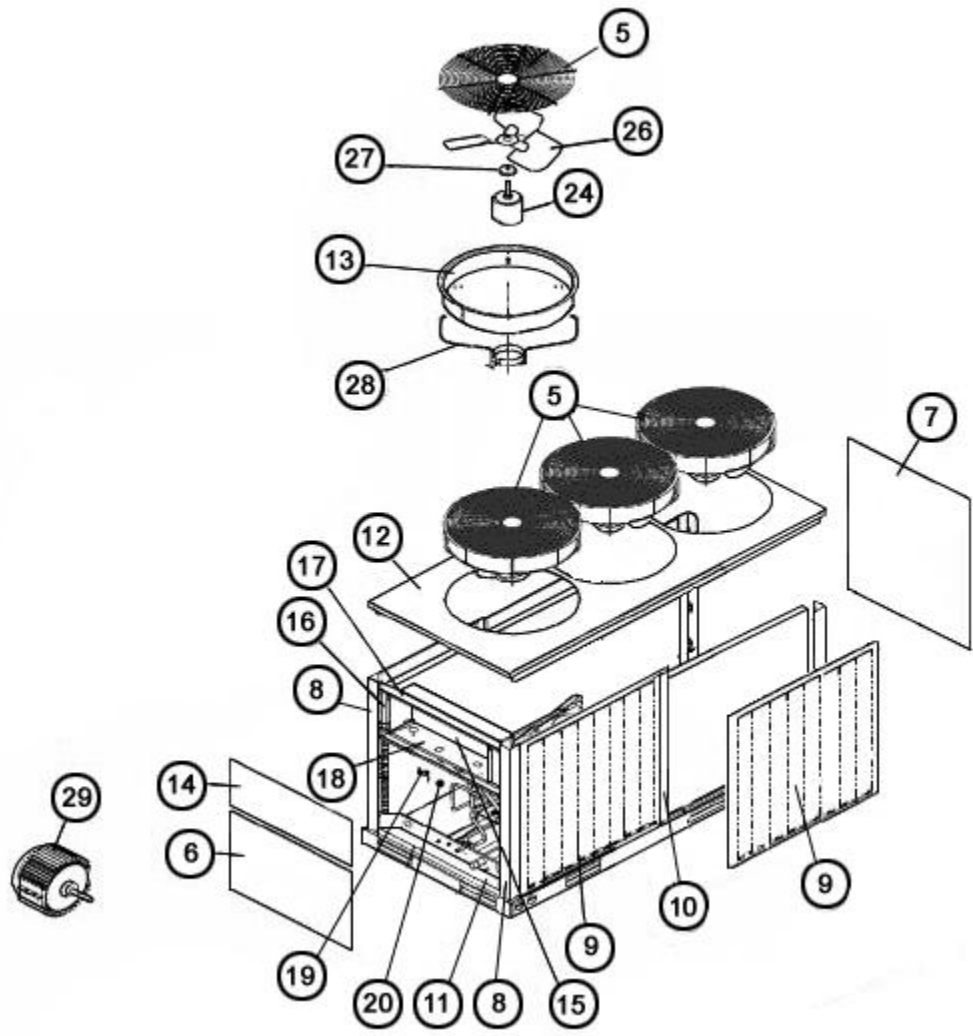
No.	Notes	MODEL COOLING CAPACITY	RAWL 150	RAWL 180	RAWL 240	
ACCESSORY GROUP						
		Liquid Line Solenoid Valve	RXAV-CD120	RXAV-CD180	RXAV-CD180	
		Sight Glass	N/A	RXAG-A020	RXAG-A020	



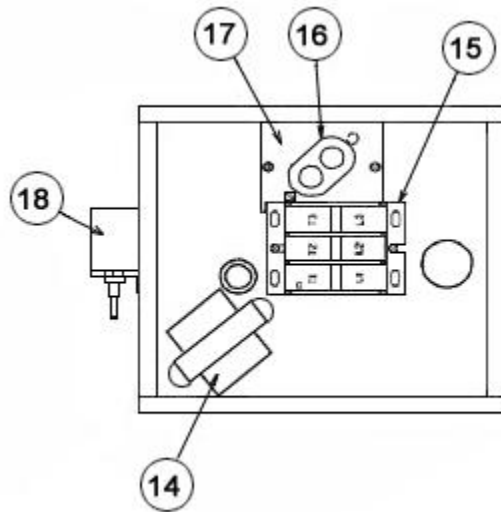
Exploded View 078-090



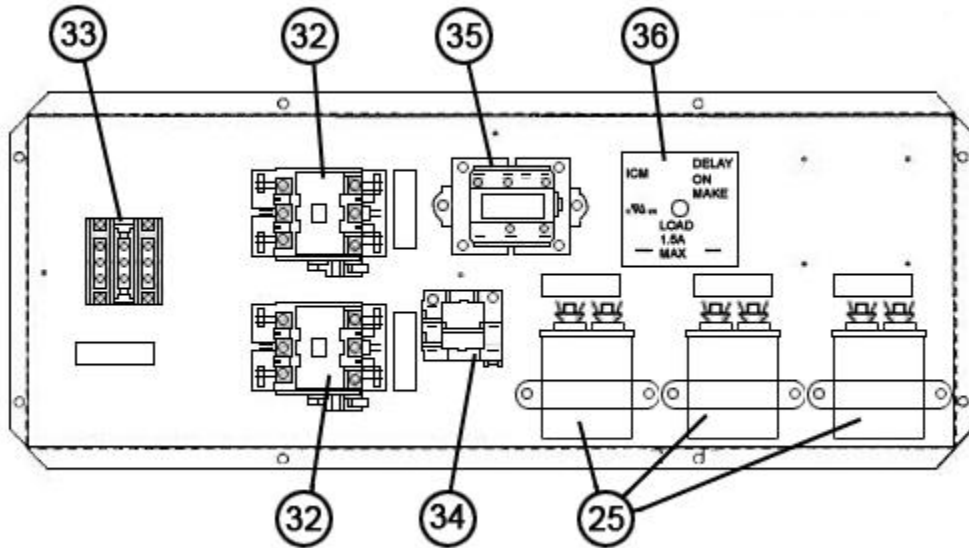
Exploded View 120-150



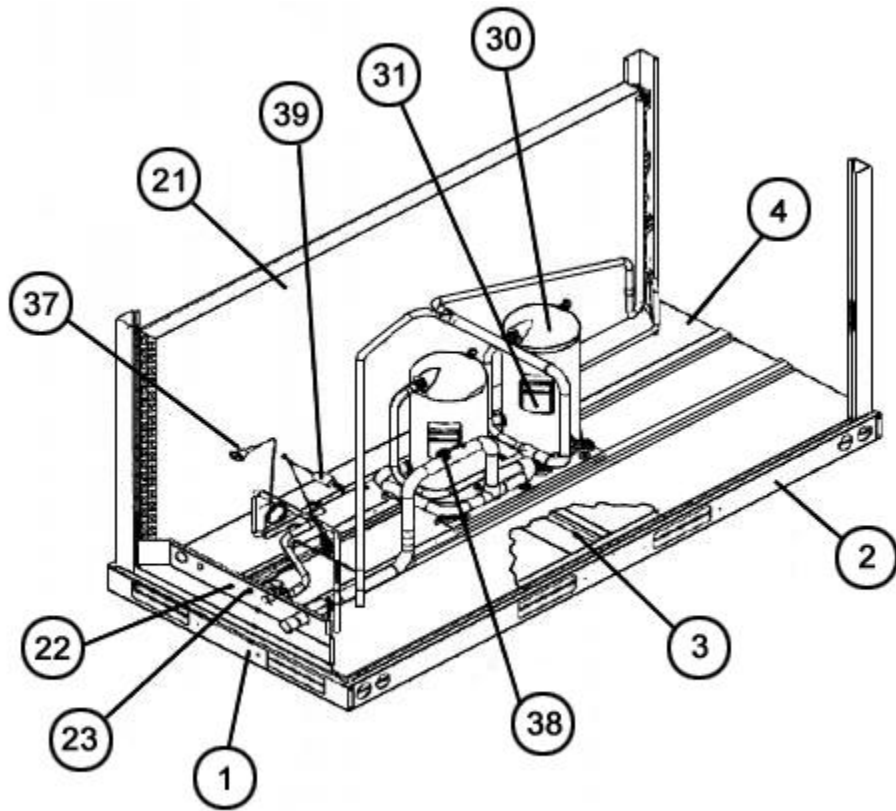
Exploded View 180-240



Control Box Assembly 078-090



Control Box Assembly 120-240



Compressor Assembly 120-240

NOTES

Stk It is recommended that stock be maintained for this part.
N/A Not Applicable

DISCLAIMER: This document is intended to provide general replacement parts information to aid qualified service personnel in the repair of these models. The complete Model and Serial Number of the unit under repair should be specified when selecting and ordering replacement parts. Specifications and illustrations are subject to change without notice. Document 92-42800-RAWL supersedes all previous parts lists for these models. See <http://www.rheempartslists.net/92-42800-RAWL> for the latest revision of this document. The manufacturer assumes no obligation for errors or omissions. Service personnel must verify the proper and safe operation of equipment after the replacement of any original components.