



RAWE

Parts List
10-December-2013



*This parts list is current as of the above revision date.
See <http://www.rheempartslists.net/92-42800-RAWE.pdf> for the current revision.*

Condensing Units - Commercial

Table of Contents

Model Explanation	Page 3
Parts Numbers	
Panels - Miscellaneous (1)	Page 4
Panels - Miscellaneous (2)	Page 5
Electrical Group (1)	Page 6
Electrical Group (2)	Page 7
Fan Group	Page 8
Coil Parts	Page 9
Compressor Group	Page 10
Accessories	Page 11
Drawings/Photographs	
Exploded View 078-090	Page 12
Exploded View 079-092	Page 13
Exploded View 120-150	Page 14
Exploded View 180-241	Page 15
Control Box Assembly 078-090	Page 16
Control Box Assembly 079-092	Page 16
Control Box Assembly 120-241	Page 17
Compressor Assembly 120-241	Page 18
Notes/Disclaimer	Page 19

MODEL NUMBER EXPLANATION

R	A	W	E	-	1	2	0	C	A	Z
1	2	3	4			5		6	7	8

- 1 TRADEBRAND IDENTIFICATION**
- 2 TYPE**
A = Condensing Unit
- 3 DESIGNATION**
W = Standard Efficiency Commercial
- 4 DESIGN SERIES**
- 5 COOLING CAPACITY**
078/079 = 6.5 Tons
090/091/092 = 7.5 Tons
120/122 = 10 Tons
150 = 12.5 Tons
180/181 = 15 Tons
240/241 = 20 Tons
- 6 ELECTRICAL DESIGNATION**
C = 208-230/3/60
D = 460/3/60
Y = 575/3/60
- 7 DESIGN VARIATION**
A = Standard
- 8 COMPRESSOR TYPE**
Z = Scroll Compressor

SERIAL NUMBER EXPLANATION (Units Produced before Nov. 2013)

6	7	4	4	F	0	6	0	2	9	9	9	9
	1			2		3		4			5	

- 1 COMPRESSOR IDENTIFICATION NUMBER**
- 2 PRODUCTION LOCATION**
F = Fort Smith, AR
- 3 WEEK OF PRODUCTION**
- 4 YEAR OF PRODUCTION**
- 5 PRODUCTION NUMBER**

SERIAL NUMBER EXPLANATION (Units Produced after Nov. 2013)

F	0	8	1	3	9	9	9	9
(1)	(2)	(3)	(4)					

- (1) PLANT CODE**
F = Fort Smith, AR
- (2) WEEK OF PRODUCTION**
- (3) YEAR OF PRODUCTION**
- (4) PRODUCTION NUMBER**

Note: For Compressor Identification Number, see Compressor Code on Rating Plate

No.	Notes	MODEL COOLING CAPACITY	RAWE 078	RAWE 090	
PANELS, MISCELLANEOUS PARTS					
1		Base Pan	AE-58426-03	AE-58426-03	
3		Cabinet	AE-58428-07	AE-58428-07	
4		Control Box	AE-58432-01	AE-58432-01	
5		Grille	AS-58470-03	AS-58470-03	
6		Venturi	AE-57050-02	AE-57050-02	
7		Access Panel	AE-100617-07	AE-100617-07	
8		Control Box Brace	AE-90244-01	AE-90244-01	
11		Adapter Plate - Capacitor	AE-54609-02	AE-54609-02	
		Valve Mounting Bracket	AE-56389-02	AE-56389-02	

No.	Notes	MODEL COOLING CAPACITY	RAWE 079	RAWE 091	RAWE 092
PANELS, MISCELLANEOUS PARTS					
1		Base Pan	AE-58426-03	AE-58426-03	AE-58426-83
3		Button Plug	45-22980-07	45-22980-07	45-22980-07
4		Cabinet	AE-100609-07	AE-100609-07	AE-100609-07
5		Top Panel	AE-100618-05	AE-100618-05	AE-100618-05
8		Grille	95-100906-04	95-100906-04	95-100906-05
9		Control Box	AE-100633-01	AE-100633-01	AE-100633-01
10		Access Panel	AE-100617-07	AE-100617-07	AE-100617-07
13a		Service Valve (Liquid)		See Coil Group	
13b		Service Valve (Suction)		See Coil Group	
17		Adapter Plate - Capacitor	AE-54609-02	AE-54609-02	AE-54609-02
		Valve Mounting Bracket	AE-56389-02	AE-56389-02	AE-56389-02

No.	Notes	MODEL COOLING CAPACITY	RAWE 120	RAWE 122	RAWE 150	RAWE 180
PANELS, MISCELLANEOUS PARTS						
1		End Base Rail	AE-90925-01	AE-90925-01	AE-90925-01	AE-90925-01
2		Side Base Rail	AE-90925-03	AE-90925-03	AE-90925-04	AE-90925-02
3		Middle Support Base Rail	AE-90925-05	AE-90925-05	AE-90925-05	AE-90925-05
4		Base Pan	AS-90929-02	AS-90929-02	AS-90929-04	AS-90929-01
5		Wire Grille	95-42507-01	95-42507-01	95-42507-01	95-42507-01
6		Access Panel - Front	AE-90937-01	AE-90937-01	AE-90937-01	AE-90937-01
7		Access Panel - Rear	AE-90938-01	AE-90938-01	AE-90938-01	AE-90938-01
8		Corner Post	AE-90930-01	AE-90930-01	AE-90930-01	AE-90930-01
9		Louvered Panel (4)	AE-90944-08	AE-90944-08	AE-90944-03	AE-90944-01
10		Center Post	AE-90931-01	AE-90931-01	AE-90931-01	AE-90931-01
11		Connection Panel	AE-90936-02	AS-90936-04H	AE-90936-02	AE-90936-01
12		Top Panel	AS-90942-02	AS-90942-02	AS-90942-04	AS-90942-01
13		Venturi Ring	AE-90632-01	AE-90632-01	AE-90632-01	AE-90632-01
14		Control Box Cover	AE-90935-01	AE-90935-01	AE-90935-01	AE-90935-01
15		Control Box	AS-90933-02	AS-90933-02	AS-90933-02	AS-90933-02
16		Control Box Mounting Bracket - Side	AE-90934-01	AE-90934-01	AE-90934-01	AE-90934-01
17		Control Box Mounting Bracket - Top	AE-90934-02	AE-90934-02	AE-90934-02	AE-90934-02
18		Control Box Mounting Bracket - Bottom	AE-90934-03	AE-90934-03	AE-90934-03	AE-90934-03
19		Hi Pressure Control Guard	AE-76160-01	AE-76160-01	AE-76160-01	AE-76160-01
20		Hole Plug	45-40356-10	45-40356-10	45-40356-10	45-40356-10
		Switch Mounting Bracket	AE-90946-01	AE-90946-01	AE-90946-01	AE-90946-01

No.	Notes	MODEL COOLING CAPACITY	RAWE 181	RAWE 240	RAWE 241	
PANELS, MISCELLANEOUS PARTS						
1		End Base Rail	AE-90925-01	AE-90925-01	AE-90925-01	
2		Side Base Rail	AE-90925-02	AE-90925-02	AE-90925-02	
3		Middle Support Base Rail	AE-90925-05	AE-90925-05	AE-90925-05	
4		Base Pan	AS-90929-01	AS-90929-01	AS-90929-01	
5		Wire Grille	95-42507-01	95-42507-01	95-42507-01	
6		Access Panel - Front	AE-90937-01	AE-90937-01	AE-90937-01	
7		Access Panel - Rear	AE-90938-01	AE-90938-01	AE-90938-01	
8		Corner Post	AE-90930-01	AE-90930-01	AE-90930-01	
9		Louvered Panel (4)	AE-90944-01	AE-90944-01	AE-90944-01	
10		Center Post	AE-90931-01	AE-90931-01	AE-90931-01	
11		Connection Panel	AE-90936-01	AE-90936-01	AE-90936-01	
12		Top Panel	AS-90942-01	AS-90942-01	AS-90942-01	
13		Venturi Ring	AE-90632-01	AE-90632-01	AE-90632-01	
14		Control Box Cover	AE-90935-01	AE-90935-01	AE-90935-01	
15		Control Box	AS-90933-02	AS-90933-02	AS-90933-02	
16		Control Box Mounting Bracket - Side	AE-90934-01	AE-90934-01	AE-90934-01	
17		Control Box Mounting Bracket - Top	AE-90934-02	AE-90934-02	AE-90934-02	
18		Control Box Mounting Bracket - Bottom	AE-90934-03	AE-90934-03	AE-90934-03	
19		Hi Pressure Control Guard	AE-76160-01	AE-76160-01	AE-76160-01	
20		Hole Plug	45-40356-10	45-40356-10	45-40356-10	
		Switch Mounting Bracket	AE-90946-01	AE-90946-01	AE-90946-01	

No.	Notes	MODEL COOLING CAPACITY ELECTRICAL DESIGNATION	RAWE 078 C	RAWE 078 D	RAWE 078 Y	RAWE 090 C	RAWE 090 D	RAWE 090 Y
ELECTRIC GROUP								
9	Stk	Contactors	42-22464-01	42-22464-01	42-22464-01	42-22464-02	42-22464-01	42-22464-01
12		Low Ambient Control	See Coil Group					
		Control Bracket - Low Ambient Control	AE-90946-01	AE-90946-01	AE-90946-01	AE-90946-01	AE-90946-01	AE-90946-01
13	Stk	Control Transformer	46-41930-01	46-41930-01	46-22384-01	46-41930-01	46-41930-01	46-22384-01

No.	Notes	MODEL COOLING CAPACITY ELECTRICAL DESIGNATION	RAWE 079 C	RAWE 079 D	RAWE 079 Y	RAWE 091 C	RAWE 091 D	RAWE 091 Y
ELECTRIC GROUP								
14	Stk	Control Transformer	46-41930-01	46-41930-01	46-22384-01	46-41930-01	46-41930-01	46-22384-01
15	Stk	Contactors	42-22464-01	42-22464-01	42-22464-02	42-22464-01	42-22464-01	42-22464-01
18		Low Ambient Control	See Coil Group					
		Control Bracket - Low Ambient Control	AE-90946-01	AE-90946-01	AE-90946-01	AE-90946-01	AE-90946-01	AE-90946-01

No.	Notes	MODEL COOLING CAPACITY ELECTRICAL DESIGNATION	RAWE 092 C	RAWE 092 D				
ELECTRIC GROUP								
14	Stk	Control Transformer	46-41930-01	46-41930-01				
15	Stk	Contactors	42-102664-12	42-22464-01				
18		Low Ambient Control	See Coil Group					
		Control Bracket - Low Ambient Control	AE-90946-01	AE-90946-01				

No.	Notes	MODEL COOLING CAPACITY ELECTRICAL DESIGNATION	RAWE 120 C	RAWE 122 C	RAWE 150 C	RAWE 180 C	RAWE 181 C	RAWE 240 C
ELECTRICAL GROUP								
32	Stk	Contactors	42-42667-02 (2)	42-102664-19 (1)	42-42667-03 (2)	42-42667-03 (2)	42-42667-03 (2)	42-42667-01 (2)
33		Terminal Block	45-41669-01	N/A	45-41669-01	45-41669-01	45-41669-01	45-41669-01
34	Stk	Relay	42-19736-07	N/A	42-19736-07	42-19736-07	42-19736-07	42-19736-07
35	Stk	Transformer	46-42515-01	46-42515-01	46-42515-01	46-42515-01	46-42515-01	46-42515-04
36	Stk	Time Delay Relay	42-22906-01	N/A	42-22906-01	42-22906-01	42-22906-01	42-22906-01
37		High Pressure Control	See Coil Group					
38		Low Pressure Control	See Coil Group					
39		Low Ambient Control	See Coil Group					
		Wiring Harness - Outdoor Fan Motors	45-42522-60	45-42522-60	45-42522-60	45-42522-56	45-42522-56	45-42522-56
		Wiring Harness - Compressor	45-42522-61	45-42522-63	45-42522-61	45-42522-59	45-42522-59	45-42522-59

No.	Notes	MODEL COOLING CAPACITY ELECTRICAL DESIGNATION	RAWE 241 C					
ELECTRICAL GROUP								
32	Stk	Contactors	42-42667-01 (2)					
33		Terminal Block	45-41669-01					
34	Stk	Relay	42-19736-07					
35	Stk	Transformer	46-42515-04					
36	Stk	Time Delay Relay	42-22906-01					
37		High Pressure Control	See Coil Group					
38		Low Pressure Control	See Coil Group					
39		Low Ambient Control	See Coil Group					
		Wiring Harness - Outdoor Fan Motors	45-42522-56					
		Wiring Harness - Compressor	45-42522-59					

No.	Notes	MODEL COOLING CAPACITY ELECTRICAL DESIGNATION	RAWE 120 D	RAWE 122 D	RAWE 150 D	RAWE 180 D	RAWE 181 D	RAWE 240 D
ELECTRICAL GROUP								
32	Stk	Contactora	42-42667-02 (2)	42-102664-19 (1)	42-42667-03 (2)	42-42667-03 (2)	42-42667-03 (2)	42-42667-03 (2)
33		Terminal Block	45-41669-01	N/A	45-41669-01	45-41669-01	45-41669-01	45-41669-01
34	Stk	Relay	42-19736-07	N/A	42-19736-07	42-19736-07	42-19736-07	42-19736-07
35	Stk	Transformer	46-42505-02	46-42515-02	46-42505-02	46-42515-02	46-42515-02	46-42515-05
36	Stk	Time Delay Relay	42-22906-01	N/A	42-22906-01	42-22906-01	42-22906-01	42-22906-01
37		High Pressure Control	See Coil Group					
38		Low Pressure Control	See Coil Group					
39		Low Ambient Control	See Coil Group					
		Wiring Harness - Outdoor Fan Motors	45-42522-60	45-42522-60	45-42522-60	45-42522-56	45-42522-56	45-42522-56
		Wiring Harness - Compressor	45-42522-61	45-42522-63	45-42522-61	45-42522-59	45-42522-59	45-42522-59

No.	Notes	MODEL COOLING CAPACITY ELECTRICAL DESIGNATION	RAWE 241 D	RAWE 120 Y	RAWE 150 Y	RAWE 180 Y	RAWE 181 Y	RAWE 240 Y
ELECTRICAL GROUP								
32	Stk	Contactora	42-42667-03 (2)	42-42667-02 (2)	42-42667-03 (2)	42-42667-03 (2)	42-42667-03 (2)	42-42667-03 (2)
33		Terminal Block	45-41669-01	45-41669-01	45-41669-01	45-41669-01	45-41669-01	45-41669-01
34	Stk	Relay	42-19736-07	42-19736-07	42-19736-07	42-19736-07	42-19736-07	42-19736-07
35	Stk	Transformer	46-42515-05	46-42505-02	46-42505-02	46-42515-02	46-42515-02	46-42515-05
36	Stk	Time Delay Relay	42-22906-01	42-22906-01	42-22906-01	42-22906-01	42-22906-01	42-22906-01
37		High Pressure Control	See Coil Group					
38		Low Pressure Control	See Coil Group					
39		Low Ambient Control	See Coil Group					
		Wiring Harness - Outdoor Fan Motors	45-42522-56	45-42522-60	45-42522-60	45-42522-56	45-42522-56	45-42522-56
		Wiring Harness - Compressor	45-42522-59	45-42522-61	45-42522-61	45-42522-59	45-42522-59	45-42522-59

No.	Notes	MODEL COOLING CAPACITY ELECTRICAL DESIGNATION	RAWE 241 Y					
ELECTRICAL GROUP								
32	Stk	Contactora	42-42667-03 (2)					
33		Terminal Block	45-41669-01					
34	Stk	Relay	42-19736-07					
35	Stk	Transformer	46-42515-05					
36	Stk	Time Delay Relay	42-22906-01					
37		High Pressure Control	See Coil Group					
38		Low Pressure Control	See Coil Group					
39		Low Ambient Control	See Coil Group					
		Wiring Harness - Outdoor Fan Motors	45-42522-56					
		Wiring Harness - Compressor	45-42522-59					

No.	Notes	MODEL COOLING CAPACITY ELECTRICAL DESIGNATION	RAWE 078 C	RAWE 078 D	RAWE 078 Y	RAWE 090 C	RAWE 090 D	RAWE 090 Y
FAN GROUP								
10	Stk	Capacitor - Fan Motor	43-100496-04	43-100496-04	43-100496-04	43-100496-12	43-100496-12	43-100496-11
17	Stk	Fan Motor	51-21853-11	51-21853-04	51-100998-28	51-42179-01	51-21853-15	51-100998-28
18	Stk	Fan Blade	70-23594-01	70-23594-01	70-23594-01	70-42484-01	70-42484-01	70-42484-01

No.	Notes	MODEL COOLING CAPACITY ELECTRICAL DESIGNATION	RAWE 079 C	RAWE 079 D	RAWE 079 Y	RAWE 091/092 C	RAWE 091/092 D	RAWE 091 Y
FAN GROUP								
6	Stk	Fan Blade	70-23594-01	70-23594-01	70-23594-01	70-42484-01	70-42484-01	70-42484-01
7	Stk	Fan Motor	51-100998-05	51-100998-07	51-100998-14	51-100998-13	51-100998-12	51-100998-14
16	Stk	Capacitor - Fan Motor	43-100496-04	43-100496-04	43-100496-04	43-100496-12	43-100496-12	43-100496-11

No.	Notes	MODEL COOLING CAPACITY ELECTRICAL DESIGNATION	RAWE 120/122 C	RAWE 150 C	RAWE 180 C	RAWE 181 C	RAWE 240 C	RAWE 241 C	
FAN GROUP									
24	Stk	Fan Motor	51-42534-01 (2)	51-42534-01 (2)	51-42534-01 (3)	51-42534-01 (3)	51-42534-09 (3)	51-42534-09 (3)	
		Motor Wiring Harness	See Electrical Group						
25	Stk	Capacitor - Fan Motor	43-100496-12 (2)	43-100496-12 (2)	43-100496-12 (3)	43-100496-12 (3)	43-100496-41 (3)	43-100496-41 (3)	
26	Stk	Fan Blade	70-42572-01 (2)	70-42572-01 (2)	70-42572-01 (3)	70-42572-01 (3)	70-42572-03 (3)	70-42572-02 (3)	
27		Cap/Rain Shield	56-17070-01 (2)	56-17070-01 (2)	56-17070-01 (3)	56-17070-01 (3)	56-17070-01 (3)	56-17070-01 (3)	
28		Motor Mount - Outdoor Fan	70-42504-01 (2)	70-42504-01 (2)	70-42504-01 (3)	70-42504-01 (3)	70-42504-01 (3)	70-42504-01 (3)	

No.	Notes	MODEL COOLING CAPACITY ELECTRICAL DESIGNATION	RAWE 120/122 D	RAWE 150 D	RAWE 180 D	RAWE 181 D	RAWE 240 D	RAWE 241 D	
FAN GROUP									
24	Stk	Fan Motor	51-42534-02 (2)	51-42534-02 (2)	51-42534-02 (3)	51-42534-02 (3)	51-42534-10 (3)	51-42534-10 (3)	
		Motor Wiring Harness	See Electrical Group						
25	Stk	Capacitor - Fan Motor	43-100496-12 (2)	43-100496-12 (2)	43-100496-12 (3)	43-100496-12 (3)	43-100496-12 (3)	43-100496-41 (3)	
26	Stk	Fan Blade	70-42572-01 (2)	70-42572-01 (2)	70-42572-01 (3)	70-42572-01 (3)	70-42572-03 (3)	70-42572-02 (3)	
27		Cap/Rain Shield	56-17070-01 (2)	56-17070-01 (2)	56-17070-01 (3)	56-17070-01 (3)	56-17070-01 (3)	56-17070-01 (3)	
28		Motor Mount - Outdoor Fan	70-42504-01 (2)	70-42504-01 (2)	70-42504-01 (3)	70-42504-01 (3)	70-42504-01 (3)	70-42504-01 (3)	

No.	Notes	MODEL COOLING CAPACITY ELECTRICAL DESIGNATION	RAWE 120 Y	RAWE 150 Y	RAWE 180 Y	RAWE 181 Y	RAWE 240 Y	RAWE 241 Y	
FAN GROUP									
24	Stk	Fan Motor	51-42534-03 (2)	51-42534-03 (2)	51-42534-03 (3)	51-42534-03 (3)	51-42534-11 (3)	51-42534-11 (3)	
		Motor Wiring Harness	See Electrical Group						
25	Stk	Capacitor - Fan Motor	43-100496-12 (2)	43-100496-12 (2)	43-100496-12 (3)	43-100496-12 (3)	43-100496-03 (3)	43-100496-03 (3)	
26	Stk	Fan Blade	70-42572-01 (2)	70-42572-01 (2)	70-42572-01 (3)	70-42572-01 (3)	70-42572-03 (3)	70-42572-02 (3)	
27		Cap/Rain Shield	56-17070-01 (2)	56-17070-01 (2)	56-17070-01 (3)	56-17070-01 (3)	56-17070-01 (3)	56-17070-01 (3)	
28		Motor Mount - Outdoor Fan	70-42504-01 (2)	70-42504-01 (2)	70-42504-01 (3)	70-42504-01 (3)	70-42504-01 (3)	70-42504-01 (3)	
29		Heat Sink	N/A	77-42426-01 (4)	77-42426-01 (2)	N/A	N/A	N/A	
		Heat Sink Clip	N/A	77-42427-01 (2)	77-42427-01 (1)	N/A	N/A	N/A	

No.	Notes	MODEL COOLING CAPACITY	RAWE 078	RAWE 090				
COIL GROUP								
12	Stk	Low Ambient Control	47-25343-03	47-25343-03				
14	Stk	Low Pressure Control	47-24332-03	47-24332-03				
15	Stk	High Pressure Control	47-21604-03	47-21604-03				
16	Stk	Condenser Coil	AS-90900-06	AS-90900-06				
20		Service Valve (Liquid)	61-21368-12	61-21368-12				
		Service Valve (Suction)	See Accessories Group					
		Filter Drier	83-25151-17	83-25151-17				

No.	Notes	MODEL COOLING CAPACITY	RAWE 079	RAWE 091	RAWE 092			
COIL GROUP								
2	Stk	Condenser Coil	AS-101510-01	AS-101510-01	AS-102625-01			
12	Stk	High Pressure Control	47-21604-03	47-21604-03	47-23699-07			
13a		Service Valve (Liquid)	61-21368-12	61-21368-12	61-21368-12			
13b		Service Valve (Suction)	See Accessories Group			61-102832-07		
18	Stk	Low Ambient Control	47-25343-03	47-25343-03	47-102478-02			
	Stk	Low Pressure Control	47-24332-03	47-24332-03	47-101529-10			
		Filter Drier	83-25151-17	83-25151-17	83-40386-05			

No.	Notes	MODEL COOLING CAPACITY	RAWE 120	RAWE 150	RAWE 180	RAWE 181	RAWE 240	RAWE 241
COIL GROUP								
21	Stk	Condenser Coil	AS-90900-02 (2)	AS-90900-03 (2)	AS-90900-04 (2)	AS-90900-04 (2)	AS-90900-05 (2)	AS-90900-01 (2)
		Distributor - 2 Way (1/2 in. to 3/8 in.) - w/o Liquid Tubes	83-19988-01	83-19988-01	83-19988-01	83-19988-01	N/A	N/A
		Distributor - 2 Way (5/8 in. to 3/8 in.) - w/o Liquid Tubes	N/A	N/A	N/A	N/A	83-17467-03	83-17467-03
22		Gauge Port	AS-90948-01	AS-90948-01	AS-90948-01	AS-90948-01	AS-90948-01	AS-90948-01
23		Gauge Port	AS-90948-02	AS-90948-02	AS-90948-02	AS-90948-02	AS-90948-02	AS-90948-02
		Service Valve (Liquid)	61-21368-14	61-21368-14	61-21368-14	61-21368-14	61-21368-16	61-21368-16
		Service Valve (Suction)	See Accessories Group					
37	Stk	High Pressure Control	47-21604-03	47-21604-03	47-21604-03	47-21604-03	47-21604-05	47-21604-05
38	Stk	Low Pressure Control	47-24332-01	47-24332-01	47-24332-03	47-24332-03	47-24332-03	47-24332-03
39	Stk	Low Ambient Control	47-25343-01	47-25343-01	47-25343-01	47-25343-01	47-25343-01	47-25343-01
		Filter Drier	83-25151-25	83-25151-25	83-25151-33	83-25151-33	83-25151-39	83-25151-39

No.	Notes	MODEL COOLING CAPACITY	RAWE 122					
COIL GROUP								
21	Stk	Condenser Coil	AS-90900-02 (2)					
		Distributor - 2 Way (1/2 in. to 3/8 in.) - w/o Liquid Tubes	83-19988-01					
22		Gauge Port	AS-90948-01					
23		Gauge Port	AS-90948-02					
		Service Valve (Liquid)	61-21368-14					
		Service Valve (Suction)	61-102832-02					
37	Stk	High Pressure Control	47-23699-07					
38	Stk	Low Pressure Control	47-101529-10					
39	Stk	Low Ambient Control	47-102478-02					
	Stk	Filter Drier	83-22755-13					

No.	Notes	MODEL COOLING CAPACITY ELECTRICAL DESIGNATION	RAWE 078 C	RAWE 078 D	RAWE 078 Y	RAWE 090 C	RAWE 090 D	RAWE 090 Y
COMPRESSOR GROUP								
		Compressor ID:	6674	6675	6676	6680	6681	6682
19	Stk	Compressor	55-23141-43S	55-23141-44S	55-23141-45S	55-23141-78S	55-23141-86S	55-23141-87S
	Stk	Crankcase Heater	44-17402-10	44-17402-11	44-17402-12	44-17402-17	44-17402-18	44-17402-19

No.	Notes	MODEL COOLING CAPACITY ELECTRICAL DESIGNATION	RAWE 079 C	RAWE 079 D	RAWE 079 Y	RAWE 091 C	RAWE 091 D	RAWE 091 Y
COMPRESSOR GROUP								
		Compressor ID:	7178	7179	7180	7184	7185	7186
11	Stk	Compressor	55-23141-43S	55-23141-44S	55-23141-45S	55-23141-78S	55-23141-86S	55-23141-87S
	Stk	Crankcase Heater	44-17402-10	44-17402-11	44-17402-12	44-17402-17	44-17402-18	44-17402-19

No.	Notes	MODEL COOLING CAPACITY ELECTRICAL DESIGNATION	RAWE 092 C	RAWE 092 D	RAWE 120 C	RAWE 122 C	RAWE 150 C	RAWE 180 C
COMPRESSOR GROUP								
		Compressor ID:	8559	8560	6686	8561	6692	6698
11	Stk	Compressor	55-23140-102S	55-23140-103S	55-23157-02S	55-23141-68S	55-23157-05S	55-23157-09S
	Stk	Crankcase Heater	44-17402-10	44-17402-11	44-17402-22	44-17402-17	44-17402-22	44-17402-17

No.	Notes	MODEL COOLING CAPACITY ELECTRICAL DESIGNATION	RAWE 181 C	RAWE 240 C	RAWE 241 C	RAWE 120 D	RAWE 122 D	RAWE 150 D
COMPRESSOR GROUP								
		Compressor ID:	6744	6704	6750	6687	8562	6693
30	Stk	Compressor	55-23157-09S	55-23157-13S	55-23157-13S	55-23157-01S	55-23141-69S	55-23157-06S
31	Stk	Crankcase Heater	44-17402-17	44-17402-17	44-17402-17	44-17402-23	44-17402-18	44-17402-23

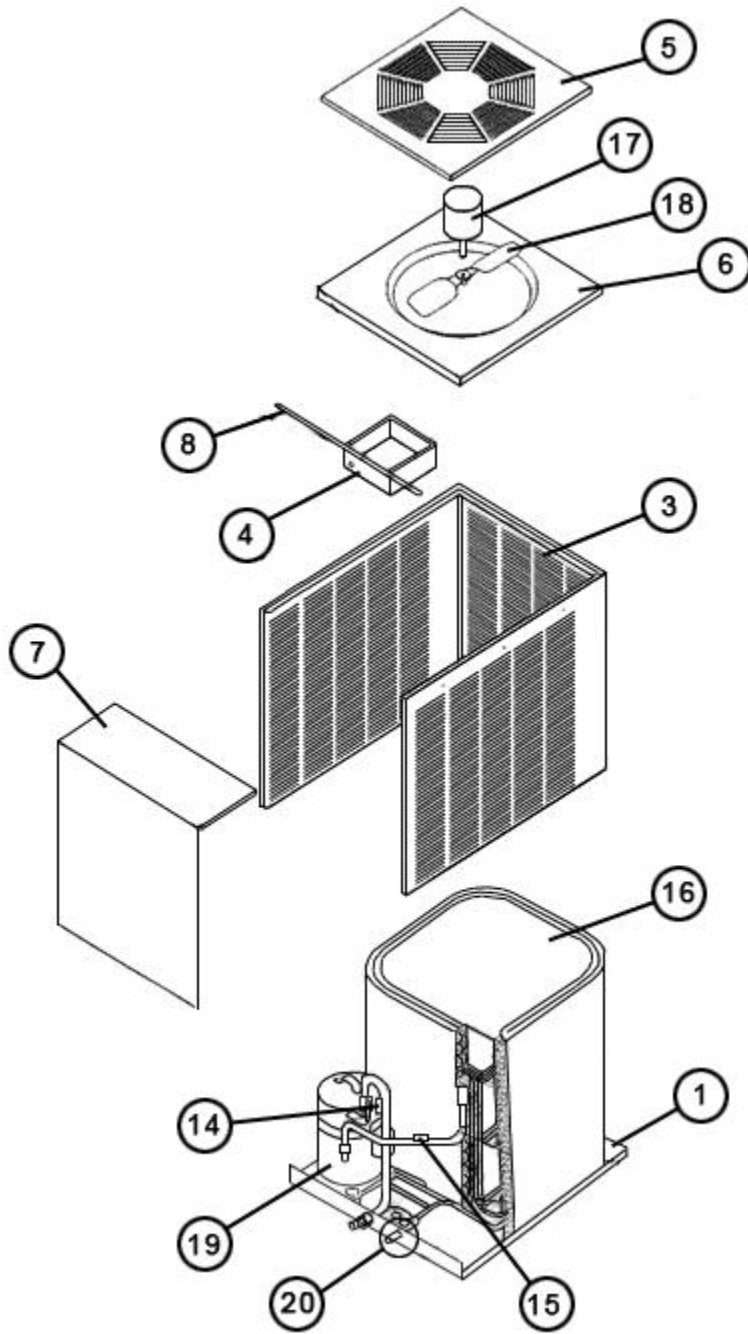
No.	Notes	MODEL COOLING CAPACITY ELECTRICAL DESIGNATION	RAWE 180 D	RAWE 181 D	RAWE 240 D	RAWE 241 D	RAWE 120 Y	RAWE 150 Y
COMPRESSOR GROUP								
		Compressor ID:	6699	6745	6705	6751	6688	6694
30	Stk	Compressor	55-23157-10S	55-23157-10S	55-23157-14S	55-23157-14S	55-23157-03S	55-23157-07S
31	Stk	Crankcase Heater	44-17402-18	44-17402-18	44-17402-18	44-17402-18	44-17402-24	44-17402-24

No.	Notes	MODEL COOLING CAPACITY ELECTRICAL DESIGNATION	RAWE 180 Y	RAWE 181 Y	RAWE 240 Y	RAWE 241 Y		
COMPRESSOR GROUP								
		Compressor ID:	6700	6749	6706	6755		
30	Stk	Compressor	55-23157-11S	55-23157-11S	55-23157-15S	55-23157-15S		
31	Stk	Crankcase Heater	44-17402-19	44-17402-19	44-17402-19	44-17402-19		

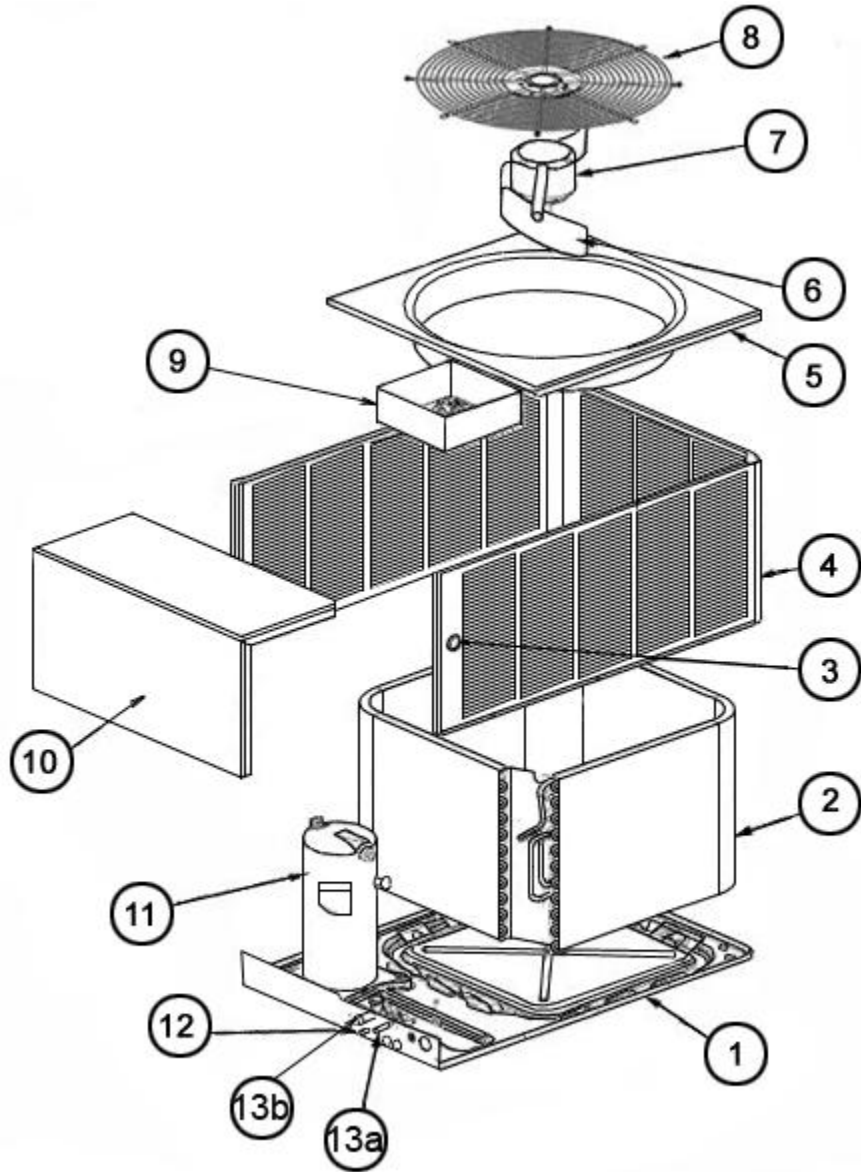
No.	Notes	MODEL COOLING CAPACITY	RAWE 078/079	RAWE 090/091	RAWE 092		
ACCESSORY GROUP							
		Anti-Short Cycle Timer Kit	RXAT-A01	RXAT-A01	RXAT-A01		
		Liquid Line Solenoid Valve	RXAV-BD048	RXAV-BD048	RXAV-CD078		
		Sight Glass	RXAG-A048	RXAG-A048	RXAG-A048		
		Suction Line Service Valve	RXMV-AC	RXMV-AC	See Coil Group		

No.	Notes	MODEL COOLING CAPACITY	RAWE 120	RAWE 122	RAWE 150	RAWE 180	RAWE 240
ACCESSORY GROUP							
		Anti-Short Cycle Timer Kit	RXAT-A01	N/A	RXAT-A01	RXAT-A01	RXAT-A01
		Liquid Line Solenoid Valve	RXAV-BD048	RXAV-CD120	RXAV-BD048	RXAV-BD048	RXAV-BD048
		Sight Glass	RXAG-A048	RXAG-A048	RXAG-A048	RXAG-A048	RXAG-A020
		Suction Line Service Valve	RXMV-AD	See Coil Group	RXMV-AD	RXMV-AE	RXMV-AE

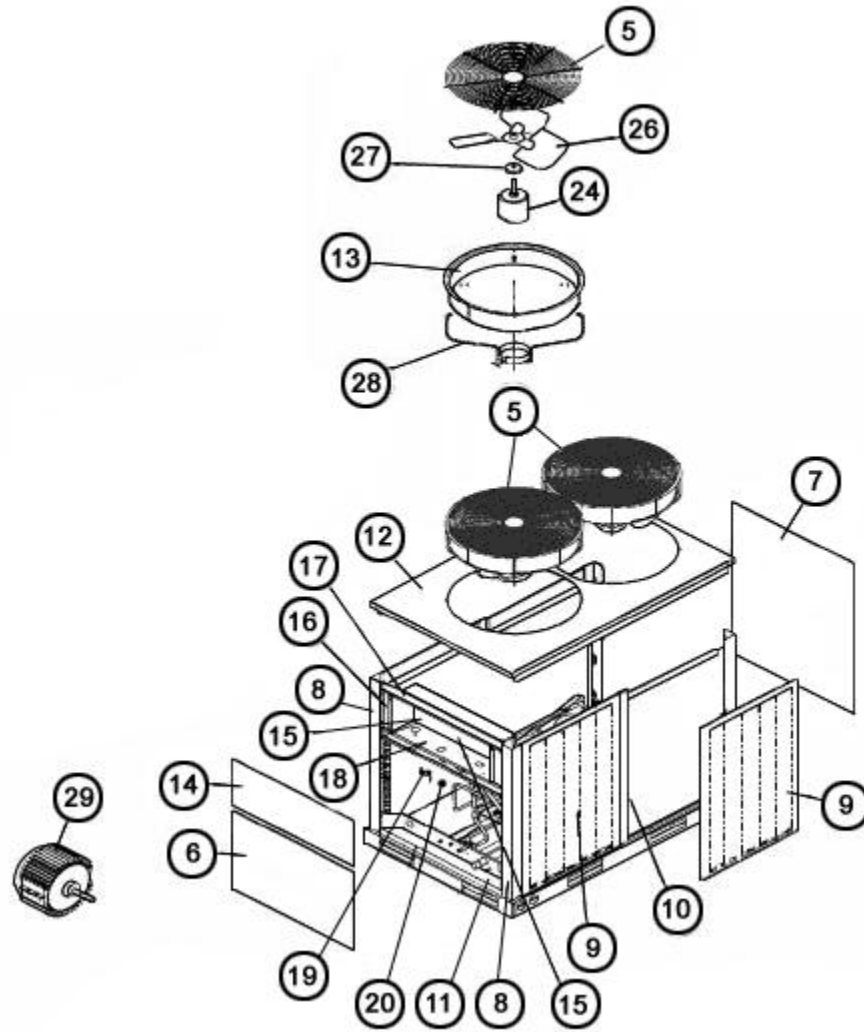
No.	Notes	MODEL COOLING CAPACITY	RAWE 181	RAWE 241			
ACCESSORY GROUP							
		Anti-Short Cycle Timer Kit	RXAT-A01	RXAT-A01			
		Low Ambient Kit	RXAZ-B200	RXAZ-B200			
		Liquid Line Solenoid Valve	RXAV-BD048	RXAV-BD048			
		Sight Glass	RXAG-A048	RXAG-A020			
		Suction Line Service Valve	RXMV-AE	RXMV-AE			



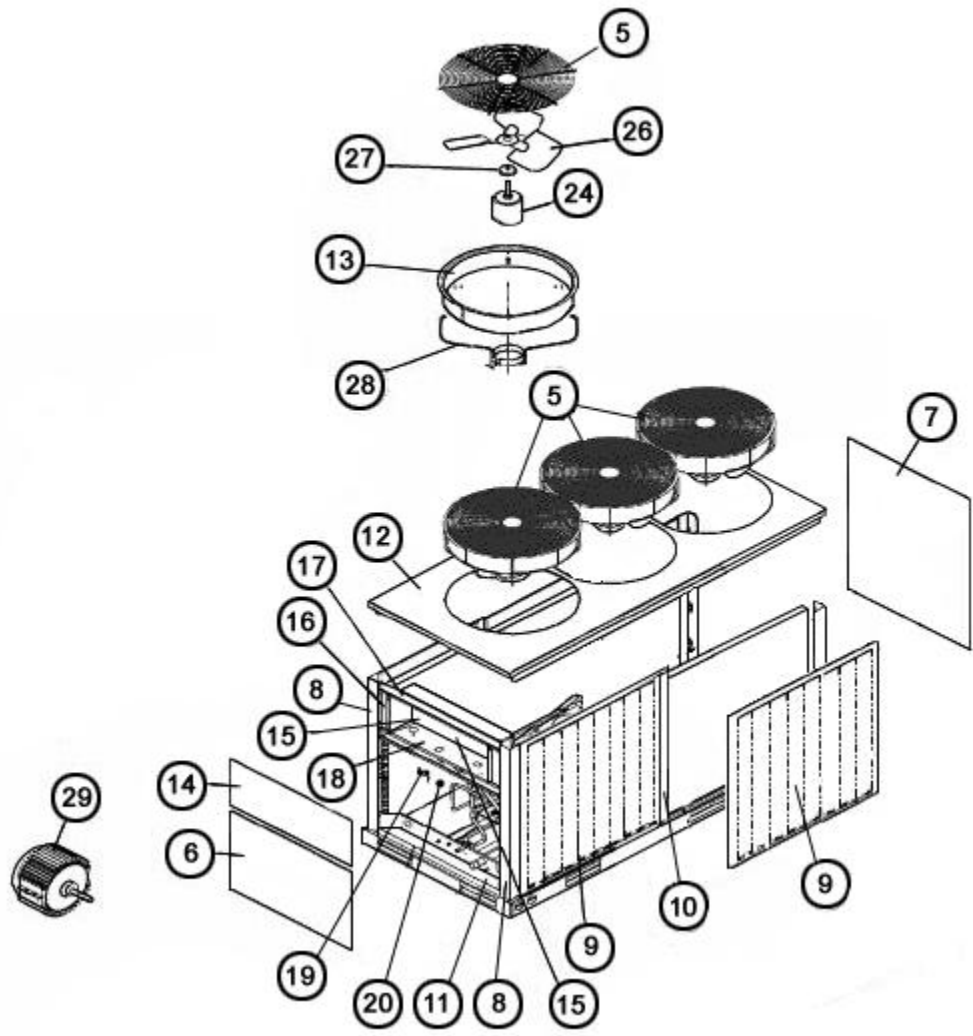
Exploded View 078-090



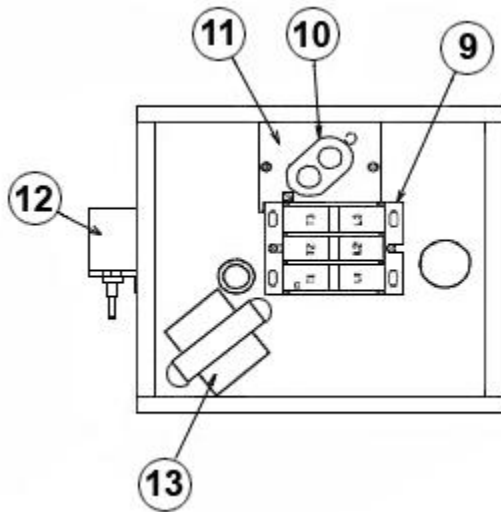
Exploded View 079-092



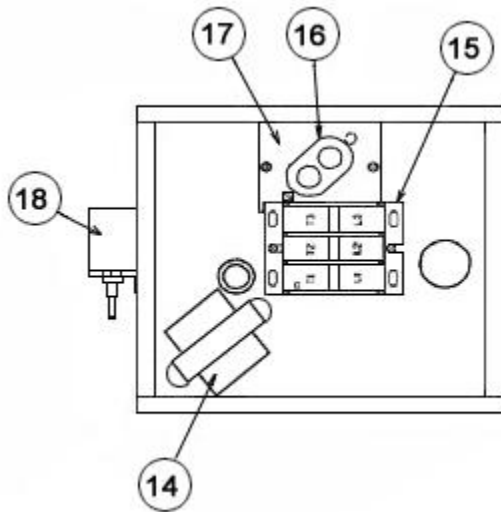
Exploded View 120-150



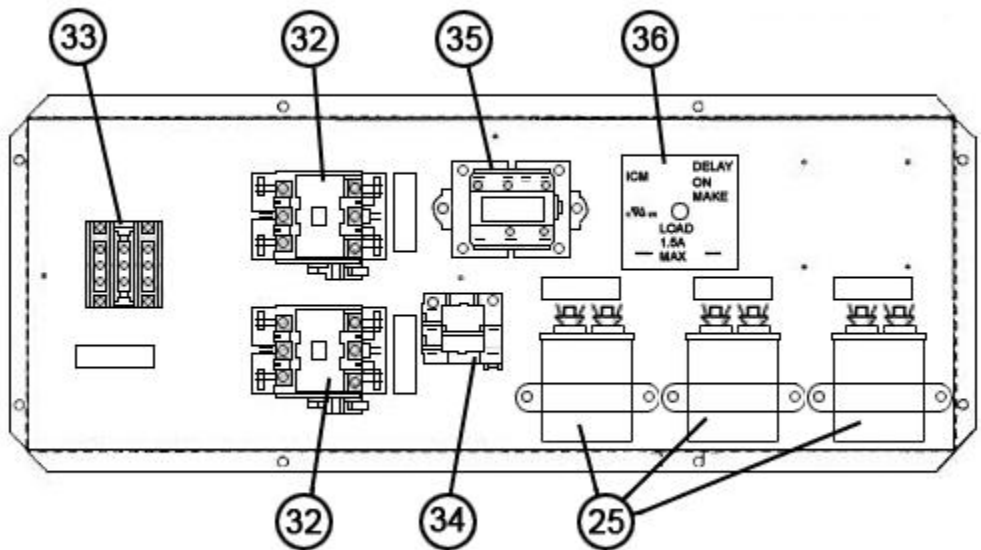
Exploded View 180-241



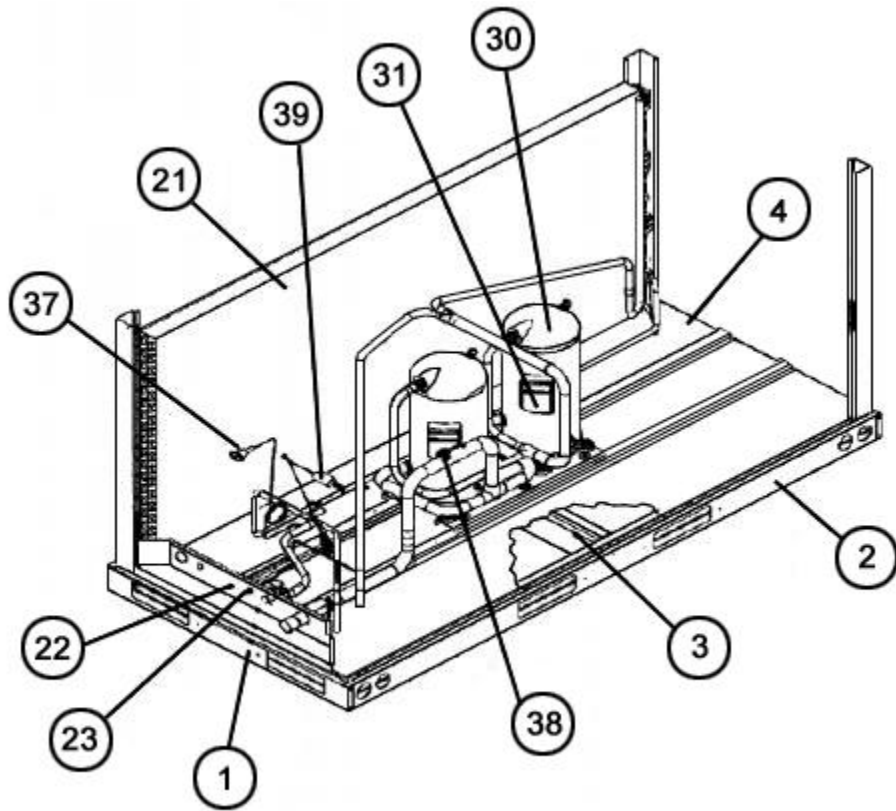
Control Box Assembly 078-090



Control Box Assembly 079-092



Control Box Assembly 120-241



Compressor Assembly 120-241

NOTES

Stk It is recommended that stock be maintained for this part.
N/A Not Applicable

DISCLAIMER: This document is intended to provide general replacement parts information to aid qualified service personnel in the repair of these models. The complete Model and Serial Number of the unit under repair should be specified when selecting and ordering replacement parts. Specifications and illustrations are subject to change without notice. Document 92-42800-RAWE supersedes all previous parts lists for these models. See <http://www.rheempartslists.net/92-42800-RAWE> for the latest revision of this document. The manufacturer assumes no obligation for errors or omissions. Service personnel must verify the proper and safe operation of equipment after the replacement of any original components.