



RASL

Parts List
17-October-2013



*This parts list is current as of the above revision date.
See <http://www.rheempartslists.net/92-42800-RASL.pdf> for the current revision.*

Condensing Units

Table of Contents

Model Explanation	Page 3
Parts Numbers	
Panels - Miscellaneous (Granite-Steel Gray)	Page 4
Panels - Miscellaneous (Neutra Green)	Page 5
Electrical Group	Page 6
Fan Group	Page 7
Coil Parts	Page 8
Compressor Group	Page 9
Accessories	Page 10
Drawings/Photographs	
Exploded View	Page 11
Control Box Assembly (JAZ)	Page 12
Control Box Assembly (JEZ, JEC).....	Page 13
Notes/Disclaimer	Page 14

MODEL NUMBER EXPLANATION

R	A	S	L	-	0	2	4	J	E	Z
(1)	(2)	(3)	(4)			(5)		(6)	(7)	(8)

(1)TRADEBRAND IDENTIFICATION

(2)MODEL
A= Condensing Unit

(3)TYPE
S= Super High Efficiency

(4)DESIGN SERIES / VARIATION

(5)COOLING CAPACITY
024= 24,000 BTU/HR
025= 24,000 BTU/HR
036= 36,000 BTU/HR
037= 36,000 BTU/HR
039= 39,000 BTU/HR
048= 48,000 BTU/HR
060= 60,000 BTU/HR

(6)ELECTRICAL DESIGNATION
J= 208-230/1/60

(7)VARIATIONS
A= Standard Model
E= Electronic Model

(8)COMPRESSOR
Z= Scroll
C= Scroll/Serial Communicating

SERIAL NUMBER EXPLANATION

6	7	6	1	M	0	1	0	9	0	7	9	9	9
(1)				(2)		(3)		(4)		(5)			

(1) COMPRESSOR IDENTIFICATION NUMBER

(2) PRODUCTION LOCATION
F= Ft. Smith, AR
M= Milledgeville, GA
W= Nuevo Laredo, MX

(3) WEEK OF PRODUCTION

(4) YEAR OF PRODUCTION

(5) PRODUCTION NUMBER

No.	Notes	MODEL COOLING CAPACITY VARIATION	RASL -024 JEC	RASL -025 JEC	RASL -036 JEC	RASL -037 JEC	RASL -039 JEC	RASL -048 JEC	RASL -060 JEC
SHEET METAL PARTS, MISCELLANEOUS (Granite/Steel Gray, After Date Code 4811)									
1		Base Pan	AE-58426-83	AE-58426-83	AE-58426-83	AE-58426-83	AE-58426-85	AE-58426-85	AE-58426-85
2		Button Plug	45-22980-07	45-22980-07	45-22980-07	45-22980-07	45-22980-07	45-22980-07	45-22980-07
3		Cabinet	AE-100609-87	AE-100609-87	AE-100609-87	AE-100609-87	AE-100609-87	AE-100609-87	AE-100609-87
4		Top Panel	AE-100618-85	AE-100618-85	AE-100618-85	AE-100618-85	AE-100618-85	AE-100618-85	AE-100618-85
5		Grille	95-100906-06	95-100906-06	95-100906-06	95-100906-06	95-100906-06	95-100906-06	95-100906-06
6	1	Control Box - See Note 1	10-102307-05	10-102307-05	10-102307-05	10-102307-05	10-102721-01	10-102721-01	10-102721-01
		Control Box Dust Cover	10-102360-02	10-102360-02	10-102360-02	10-102360-02	10-102360-03	10-102360-03	10-102360-03
6a		Capacitor Adapter Plate (2 in. round capacitor)	AE-54609-01	AE-54609-01	AE-54609-01	AE-54609-01	AE-54609-01	AE-54609-01	AE-54609-01
6a		Capacitor Adapter Plate (2 in. x 1-1/4 in. oval capacitor)	AE-54609-02	AE-54609-02	AE-54609-02	AE-54609-02	AE-54609-02	AE-54609-02	AE-54609-02
6b		Capacitor Strap	AE-50892-51	AE-50892-51	AE-50892-51	AE-50892-51	AE-50892-51	AE-50892-51	AE-50892-51
7		Access Panel	AE-100617-87	AE-100617-87	AE-100617-87	AE-100617-87	AE-100617-87	AE-100617-87	AE-100617-87
8		Service Valve - Suction	61-21368-15	61-21368-15	61-21368-15	61-21368-15	61-21368-24	61-21368-24	61-21368-16
9		Service Valve - Liquid	61-101160-13	61-101160-13	61-101160-13	61-101160-13	61-101160-13	61-101160-13	61-101160-13
		Touch-up Paint - Granite/Steel Gray (Aerosol)	PD523018	PD523018	PD523018	PD523018	PD523018	PD523018	PD523018
		Touch-up Paint - Granite/Steel Gray (Paint Pens)	PD523019	PD523019	PD523019	PD523019	PD523019	PD523019	PD523019

No.	Notes	MODEL COOLING CAPACITY VARIATION	RASL -024 JEZ	RASL -025 JEZ	RASL -036 JEZ	RASL -037 JEZ			
SHEET METAL PARTS, MISCELLANEOUS (Granite/Steel Gray, After Date Code 4811)									
1		Base Pan	AE-58426-83	AE-58426-83	AE-58426-83	AE-58426-83			
2		Button Plug	45-22980-07	45-22980-07	45-22980-07	45-22980-07			
3		Cabinet	AE-100609-87	AE-100609-87	AE-100609-87	AE-100609-87			
4		Top Panel	AE-100618-85	AE-100618-85	AE-100618-85	AE-100618-85			
5		Grille	95-100906-06	95-100906-06	95-100906-06	95-100906-06			
6	1	Control Box - See Note 1	10-102307-03	10-102307-03	10-102307-03	10-102307-03			
		Control Box Dust Cover	10-102360-01	10-102360-01	10-102360-01	10-102360-01			
6a		Capacitor Adapter Plate (2 in. round capacitor)	AE-54609-01	AE-54609-01	AE-54609-01	AE-54609-01			
6a		Capacitor Adapter Plate (2 in. x 1-1/4 in. oval capacitor)	AE-54609-02	AE-54609-02	AE-54609-02	AE-54609-02			
6b		Capacitor Strap	AE-50892-51	AE-50892-51	AE-50892-51	AE-50892-51			
7		Access Panel	AE-100617-87	AE-100617-87	AE-100617-87	AE-100617-87			
8		Service Valve - Suction	61-21368-15	61-21368-15	61-21368-15	61-21368-15			
9		Service Valve - Liquid	61-101160-13	61-101160-13	61-101160-13	61-101160-13			
		Touch-up Paint - Granite/Steel Gray (Aerosol)	PD523018	PD523018	PD523018	PD523018			
		Touch-up Paint - Granite/Steel Gray (Paint Pens)	PD523019	PD523019	PD523019	PD523019			

No.	Notes	MODEL COOLING CAPACITY VARIATION	RASL -024 JEC	RASL -036 JEC	RASL -039 JEC	RASL -048 JEC	RASL -060 JEC
SHEET METAL PARTS, MISCELLANEOUS (Neutra Green, Before Date Code 4811)							
1		Base Pan	AE-58426-03	AE-58426-03	AE-58426-05	AE-58426-05	AE-58426-05
2		Button Plug	45-22980-07	45-22980-07	45-22980-07	45-22980-07	45-22980-07
3		Cabinet	AE-100609-07	AE-100609-07	AE-100609-07	AE-100609-07	AE-100609-07
4		Top Panel	AE-100618-05	AE-100618-05	AE-100618-05	AE-100618-05	AE-100618-05
5		Grille	95-100906-06	95-100906-06	95-100906-06	95-100906-06	95-100906-06
6	1	Control Box - See Note 1	10-102307-05	10-102307-05	10-102721-01	10-102721-01	10-102721-01
		Control Box Dust Cover	10-102360-02	10-102360-02	10-102360-03	10-102360-03	10-102360-03
6a		Capacitor Adapter Plate (2 in. round capacitor)	AE-54609-01	AE-54609-01	AE-54609-01	AE-54609-01	AE-54609-01
6a		Capacitor Adapter Plate (2 in. x 1-1/4 in. oval capacitor)	AE-54609-02	AE-54609-02	AE-54609-02	AE-54609-02	AE-54609-02
6b		Capacitor Strap	AE-50892-51	AE-50892-51	AE-50892-50	AE-50892-50	AE-50892-50
7		Access Panel	AE-100617-07	AE-100617-07	AE-100617-07	AE-100617-07	AE-100617-07
8		Service Valve - Suction (Before W1410)	61-21368-15	61-21368-15	61-21368-16	61-21368-16	61-21368-16
8		Service Valve - Suction (On or After W1410)	61-21368-15	61-21368-15	61-21368-24	61-21368-24	61-21368-16
9		Service Valve - Liquid	61-101160-13	61-101160-13	61-101160-13	61-101160-13	61-101160-13
		Touch-up Paint (Aerosol)	52-18662-48	52-18662-48	52-18662-48	52-18662-48	52-18662-48
		Touch-up Paint (Paint Pens)	523010	523010	523010	523010	523010

No.	Notes	MODEL COOLING CAPACITY VARIATION	RASL -024 JEC	RASL -036 JAZ/JEZ			
SHEET METAL PARTS, MISCELLANEOUS (Neutra Green, Before Date Code 4811)							
1		Base Pan	AE-58426-03	AE-58426-03			
2		Button Plug	45-22980-07	45-22980-07			
3		Cabinet	AE-100609-07	AE-100609-07			
4		Top Panel	AE-100618-05	AE-100618-05			
5		Grille	95-100906-06	95-100906-06			
6		Control Box - JAZ models	N/A	AE-100633-01			
6	1	Control Box - JEZ models - See Note 1	10-102307-03	10-102307-03			
		Control Box Dust Cover - JAZ models	N/A	AE-101222-01			
		Control Box Dust Cover - JEZ models	10-102360-01	10-102360-01			
6a		Capacitor Adapter Plate (2 in. round capacitor)	AE-54609-01	AE-54609-01			
6a		Capacitor Adapter Plate (2 in. x 1-1/4 in. oval capacitor)	AE-54609-02	AE-54609-02			
6b		Capacitor Strap	AE-50892-51	AE-50892-51			
7		Access Panel	AE-100617-07	AE-100617-07			
8		Service Valve - Suction (Before M0307) - JAZ models	N/A	61-101160-21			
8		Service Valve - Suction (On or after M0307) - JAZ models	N/A	61-21368-15			
8		Service Valve - Suction - JEZ models	61-21368-15	61-21368-15			
9		Service Valve - Liquid	61-101160-13	61-101160-13			
		Touch-up Paint (Aerosol)	52-18662-48	52-18662-48			
		Touch-up Paint (Paint Pens)	523010	523010			

No.	Notes	MODEL COOLING CAPACITY VARIATION	RASL -024 JEC	RASL -025 JEC	RASL -036 JEC	RASL -037 JEC	RASL -039 JEC	RASL -048 JEC	RASL -060 JEC
ELECTRICAL GROUP									
CONTROL BOX COMPONENTS:									
11		Capacitor - Fan Motor/Compressor	See Compressor Group						
12		Start Relay	See Compressor Group						
13		Capacitor - Compressor Start	See Compressor Group						
14	Stk	Control Board - Two Stage (Before W0910)	47-102090-04 (1)	N/A	47-102090-04 (1)	N/A	47-102090-04 (2)	47-102090-04 (2)	47-102090-04 (2)
14	Stk	Control Board - Two Stage (On or After W0910)	47-102090-04 (1)	47-102090-08 (1)	47-102090-04 (1)	47-102090-08 (1)	47-102090-08 (1)	47-102090-08 (1)	47-102090-08 (1)
14	Stk	Control Board - Tandem Secondary (On or After W0910)	N/A	N/A	N/A	N/A	47-102090-07 (1)	47-102090-07 (1)	47-102090-07 (1)
	Stk	Low Ambient Sensor	47-102709-01	47-102709-01	47-102709-01	47-102709-01	47-102709-01	47-102709-01	47-102709-01
		Control - Identity EEPROM (Before W0910)	47-102738-71 (1)	47-102738-99 (1)	47-102738-72 (1)	47-102738-10 0 (1)	47-102738-73 (2)	47-102738-74 (2)	47-102738-75 (2)
		Control - Identity EEPROM (On or After W0910)	47-102738-71 (1)	47-102738-99 (1)	47-102738-72 (1)	47-102738-10 0 (1)	N/A	N/A	N/A
		Control - Identity EEPROM (On or After W0910) - Tandem Primary	N/A	N/A	N/A	N/A	47-102738-80 (1)	47-102738-82 (1)	47-102738-84 (1)
		Control - Identity EEPROM (On or After W0910) - Tandem Secondary	N/A	N/A	N/A	N/A	47-102738-81 (1)	47-102738-83 (1)	47-102738-85 (1)
		Terminal Block	N/A	N/A	N/A	N/A	45-22246-04	45-22246-04	45-22246-04
		Wiring Harness - Fan Motor	See Fan Group						
	1	Wiring Harnesses	See Note 1						
		Wiring Harnesses - 9 pin, 4 wires to 3 quick connects (Before W0910)	N/A	N/A	N/A	N/A	45-102134-07	45-102134-07	45-102134-07
		Wiring Harnesses - 9 pin, 6 wires to 3 quick connects and 1 (two pin) connector (On or After W0910)	N/A	N/A	N/A	N/A	45-102134-09	45-102134-09	45-102134-09
		Wiring Harnesses - 9 pin, 7 wires to strip leads (Before W0910)	N/A	N/A	N/A	N/A	45-102134-06	45-102134-06	45-102134-06
		Wiring Harnesses - 9 pin, 7 wires to strip leads (On or After W0910)	N/A	N/A	N/A	N/A	45-102134-08	45-102134-08	45-102134-08

No.	Notes	MODEL COOLING CAPACITY VARIATION	RASL -024 JEZ	RASL -025 JEZ	RASL -036 JEZ	RASL -037 JEZ			
ELECTRICAL GROUP									
CONTROL BOX COMPONENTS:									
11		Capacitor - Fan Motor/Compressor	See Compressor Group						
12		Start Relay	See Compressor Group						
13		Capacitor - Compressor Start	See Compressor Group						
14	Stk	Control Board	47-102090-02	47-102090-02	47-102090-02	47-102090-02			
		Wiring Harness - Fan Motor	See Fan Group						
	1	Wiring Harnesses	See Note 1						

No.	Notes	MODEL COOLING CAPACITY VARIATION			RASL -036 JAZ				
ELECTRICAL GROUP									
CONTROL BOX COMPONENTS:									
10	Stk	Contactors			42-42728-03				
11		Capacitor - Fan Motor/Compressor	See Compressor Group						
12		Start Relay	See Compressor Group						
13		Capacitor - Compressor Start	See Compressor Group						
		Time Delay Relay			42-22756-04				
	Stk	Comfort Alert			42-101504-02				
		Mounting Bracket - Comfort Alert			AE-101503-01				

No.	Notes	MODEL COOLING CAPACITY VARIATION	RASL -024 JEC	RASL -025 JEC	RASL -036 JEC	RASL -037 JEC	RASL -039 JEC	RASL -048 JEC	RASL -060 JEC
FAN GROUP									
15	Stk	Fan Motor - ECM	51-102728-08	51-102728-08	51-102728-02	51-102728-02	51-102728-15	51-102728-15	51-102728-15
16	Stk	Fan Blade	70-21858-17	70-21858-17	70-21858-17	70-21858-17	70-21858-17	70-21858-17	70-21858-17
	Stk,1	Wiring Harness - Fan Motor	45-102122-01	45-102122-01	45-102122-01	45-102122-01	N/A	N/A	N/A
	Stk,1	Wiring Harnesses - Fan Motor - 6 pin (3 wire)	N/A	N/A	N/A	N/A	45-102122-04	45-102122-04	45-102122-04
	Stk,1	Wiring Harnesses - Fan Motor - 6 pin (4 wire)	N/A	N/A	N/A	N/A	45-102122-03	45-102122-03	45-102122-03

No.	Notes	MODEL COOLING CAPACITY VARIATION	RASL -024 JEZ	RASL -025 JEZ	RASL -036 JAZ/JEZ	RASL -037 JEZ			
FAN GROUP									
15	Stk	Fan Motor - ECM	51-101548-08	51-101548-08	51-101548-02	51-101548-02			
16	Stk	Fan Blade	70-21858-17	70-21858-17	70-21858-17	70-21858-17			
	Stk,1	Wiring Harness - Fan Motor (JEZ models) - See Note 1	45-102122-01	45-102122-01	45-102122-01	45-102122-01			

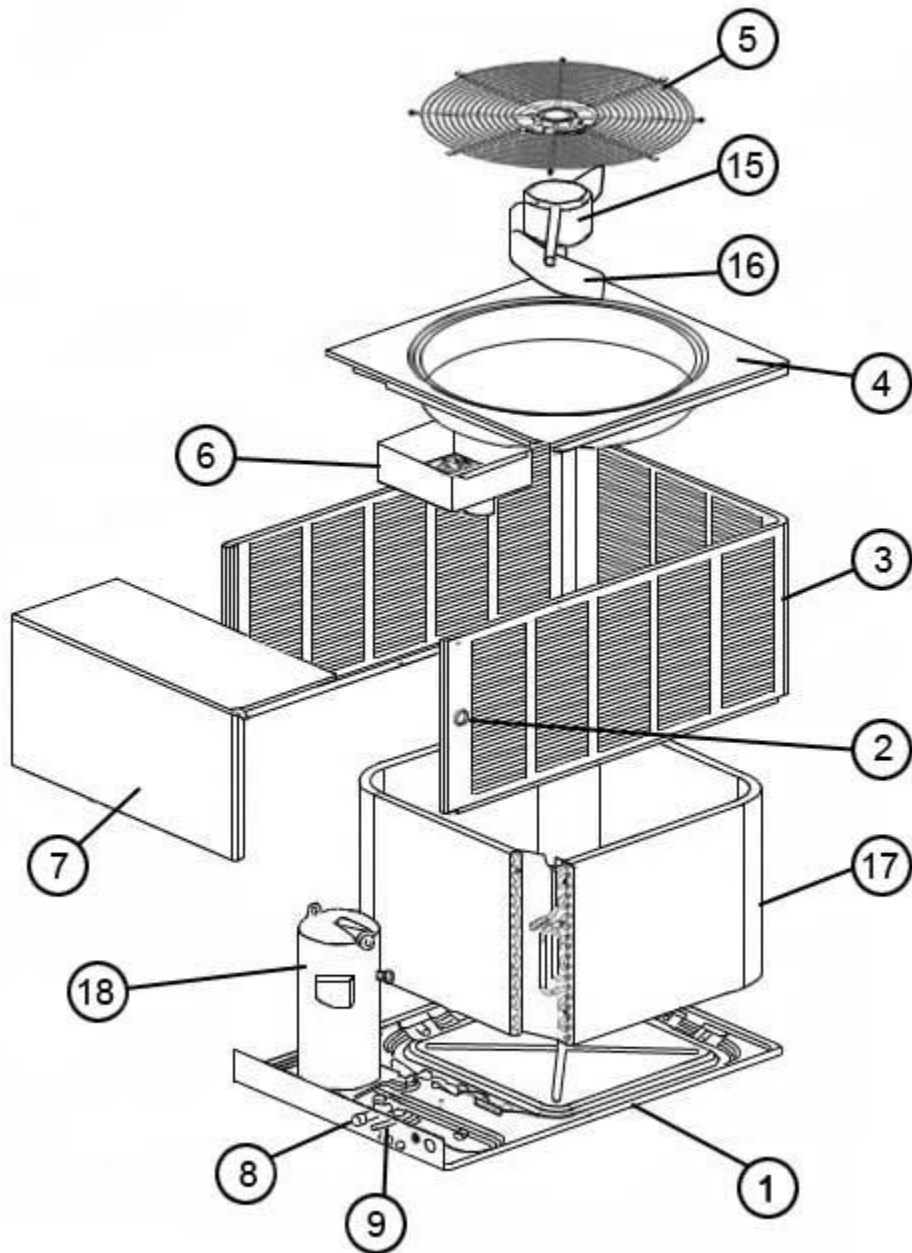
No.	Notes	MODEL COOLING CAPACITY VARIATION	RASL -024 JEC	RASL -025 JEC	RASL -036 JEC	RASL -037 JEC	RASL -039 JEC	RASL -048 JEC	RASL -060 JEC
COIL GROUP									
17	Stk	Condenser Coil	AS-102419-03	AS-102419-03	AS-59326-03	AS-59326-03	AS-102777-01	AS-102661-01	AS-102661-01
	Stk	Filter Drier	83-22755-03	83-22755-03	83-22755-03	83-22755-03	83-22755-05	83-22755-05	83-22755-05
	Stk	High Pressure Control (90 Deg Elbow with 1/4 inch connection)	N/A	N/A	N/A	N/A	47-26184-04	47-26184-04	47-26184-04
		Low Pressure Control (90 Deg Elbow with 1/4 inch connection)	N/A	N/A	N/A	N/A	47-101529-08	47-101529-08	47-101529-08
	Stk	High Pressure Control (Straight with 1/4 inch connection) - before W0311	47-26184-01	N/A	47-26184-01	N/A	N/A	N/A	N/A
	Stk	High Pressure Control (90 Deg Elbow with 1/4 inch connection) - on or after W0311	47-103669-01	47-103669-01	47-103669-01	47-103669-01	N/A	N/A	N/A
	Stk	Low Pressure Control (90 Deg Elbow with 5/16 inch connection) - before W0311	47-101529-04	N/A	47-101529-04	N/A	N/A	N/A	N/A
	Stk	Low Pressure Control (90 Deg Elbow with 1/4 inch connection) - on or after W0311	47-103670-02	47-103670-02	47-103670-02	47-103670-02	N/A	N/A	N/A
		Low Ambient Sensor	See Electrical Group						
		Distributor w/o Header Tubes - 3-Way (1/2 in. to 3/8 in.)	83-17467-06	83-17467-06	83-17467-06	83-17467-06	N/A	N/A	N/A
		Distributor w/o Header Tubes - 3-Way (3/8 in. to 3/8 in.)	83-17467-07	83-17467-07	83-17467-07	83-17467-07	N/A	N/A	N/A
		Distributor w/o Header Tubes - 2-Way (5/8 in. to 1/2 in.)	N/A	N/A	N/A	N/A	83-41634-01	83-41634-01	83-41634-01

No.	Notes	MODEL COOLING CAPACITY VARIATION	RASL -024 JEZ	RASL -025 JEZ	RASL -036 JAZ/JEZ	RASL -037 JEZ			
COIL GROUP									
17	Stk	Condenser Coil	AS-102419-03	AS-102419-03	AS-59326-03	AS-59326-03			
	Stk	Filter Drier	83-22755-03	83-22755-03	83-22755-03	83-22755-03			
	Stk	High Pressure Control (Straight with 1/4 inch connection) - before W0311	47-26184-01	N/A	47-26184-01	N/A			
	Stk	High Pressure Control (90 Deg Elbow with 1/4 inch connection) - on or after W0311	47-103669-01	47-103669-01	47-103669-01	47-103669-01			
	Stk	Low Pressure Control - JAZ models	N/A	N/A	47-101529-02	N/A			
	Stk	Low Pressure Control (90 Deg Elbow with 5/16 inch connection) - before W0311	47-101529-04	N/A	47-101529-04	N/A			
	Stk	Low Pressure Control (90 Deg Elbow with 1/4 inch connection) - on or after W0311	47-103670-02	47-103670-02	47-103670-02	47-103670-02			
		Distributor w/o Header Tubes - 3-Way (1/2 in. to 3/8 in.)	83-17467-06	83-17467-06	83-17467-06	83-17467-06			
		Distributor w/o Header Tubes - 3-Way (3/8 in. to 3/8 in.)	83-17467-07	83-17467-07	83-17467-07	83-17467-07			

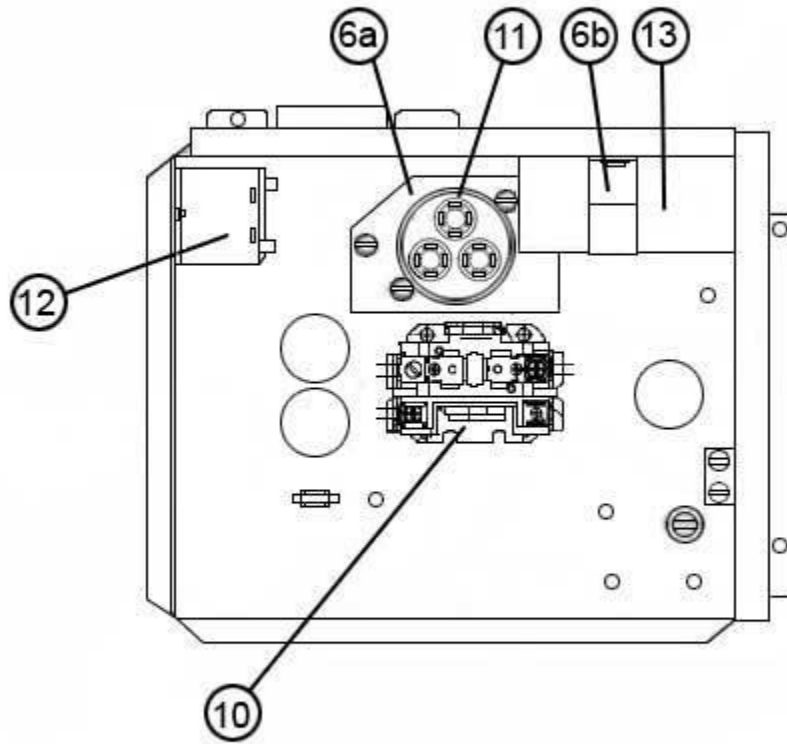
No.	Notes	MODEL COOLING CAPACITY VARIATION	RASL -024 JEC	RASL -025 JEC	RASL -036 JEC	RASL -037 JEC	RASL -039 JEC	RASL -048 JEC	RASL -060 JEC
COMPRESSOR GROUP									
		Compressor ID:	7686	8615	7234	8616	7834	7835	7836
18	Stk	Compressor	55-23156-08S	55-23156-35S	55-23156-09S	55-23156-36S	N/A	N/A	N/A
18	Stk	Compressor - Tandem Assembly	N/A	N/A	N/A	N/A	AS-102714-01	AS-102714-02	AS-102714-03
	Stk,1	Compressor Wiring Harness (Line Voltage - Molded Plug) - See Note 1	45-100834-04 (1)	45-100834-04 (1)	45-100834-04 (1)	45-100834-04 (1)	45-100834-80 (2)	45-100834-80 (2)	45-100834-80 (2)
	Stk,1	Compressor Wiring Harness (Low Voltage - Molded Plug) - See Note 1	45-101723-01	45-101723-01	45-101723-01	45-101723-01	N/A	N/A	N/A
11	Stk	Capacitor - Compressor Run	43-101666-23 (1)	43-101666-20 (1)	43-101666-24 (1)	43-101666-24 (1)	43-100510-36 (2)	43-100510-20 (2)	43-101666-24 (2)
12	Stk	Start Relay	42-100491-09	42-100491-09	42-100491-09	42-100491-09	42-100491-09	42-100491-09	42-100491-09
13	Stk	Start Capacitor	43-17075-04	43-17075-04	43-17075-04	43-17075-04	43-17075-04	43-17075-04	43-17075-04

No.	Notes	MODEL COOLING CAPACITY VARIATION	RASL -024 JEZ	RASL -025 JEZ	RASL -036 JAZ/JEZ	RASL -037 JEZ			
COMPRESSOR GROUP									
		Compressor ID:	7686	8615	7234	8616			
18	Stk	Compressor	55-23156-08S	55-23156-35S	55-23156-09S	55-23156-36S			
	Stk	Compressor Wiring Harness (Line Voltage - Molded Plug) - JAZ models	N/A	N/A	45-100834-02	N/A			
	Stk,1	Compressor Wiring Harness (Line Voltage - Molded Plug) - JEZ models - See Note 1	45-100834-07	45-100834-07	45-100834-07	45-100834-04			
	Stk,1	Compressor Wiring Harness (Low Voltage - Molded Plug) - See Note 1	45-101723-01	45-101723-03	45-101723-01	45-101723-03			
11	Stk	Capacitor - Compressor Run	43-100510-23	43-101666-20	43-101666-24	43-101666-24			
12	Stk	Start Relay	42-18282-09	42-18282-09	42-18282-09	42-18282-09			
13	Stk	Start Capacitor	43-17075-04	43-17075-04	43-17075-04	43-17075-04			

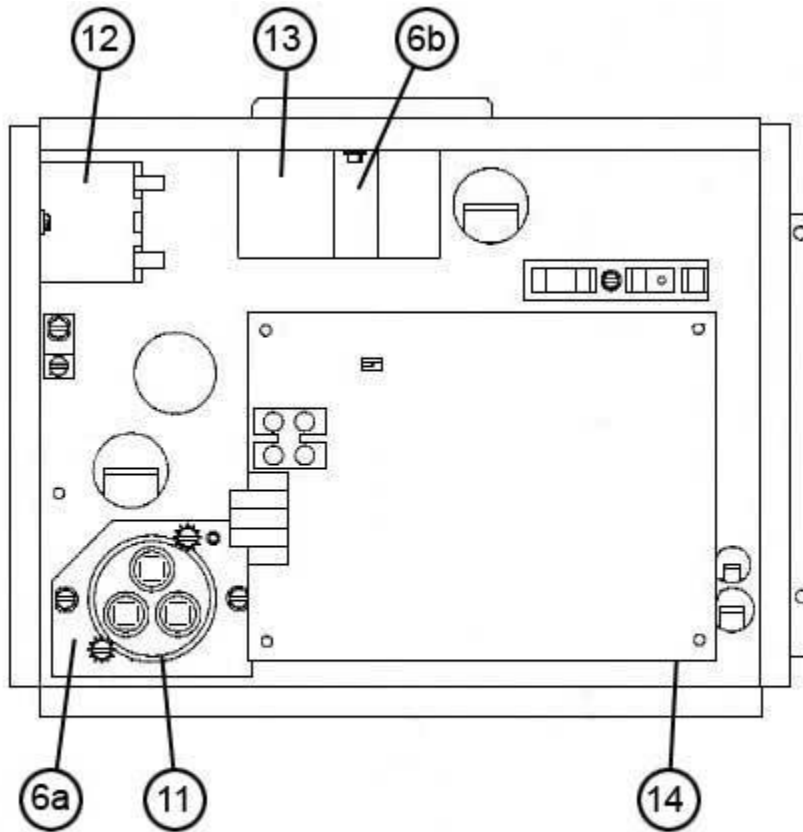
No.	Notes	MODEL VARIATIONS	RASL ALL
ACCESSORIES			
		Low Ambient Control	RXAD-A08



Exploded View



Control Box Assembly (JAZ)



Control Box Assembly (JEZ, JEC)

NOTES

Stk It is recommended that stock be maintained for this part.

N/A Not Applicable

- 1 Wiring Harnesses not listed individually are included with the JEZ, JEC model Control Box (item 6).

DISCLAIMER: This document is intended to provide general replacement parts information to aid qualified service personnel in the repair of these models. The complete Model and Serial Number of the unit under repair should be specified when selecting and ordering replacement parts. Specifications and illustrations are subject to change without notice. Document 92-42800-RASL supersedes all previous parts lists for these models. See <http://www.rheempartslists.net/92-42800-RASL> for the latest revision of this document. The manufacturer assumes no obligation for errors or omissions. Service personnel must verify the proper and safe operation of equipment after the replacement of any original components.