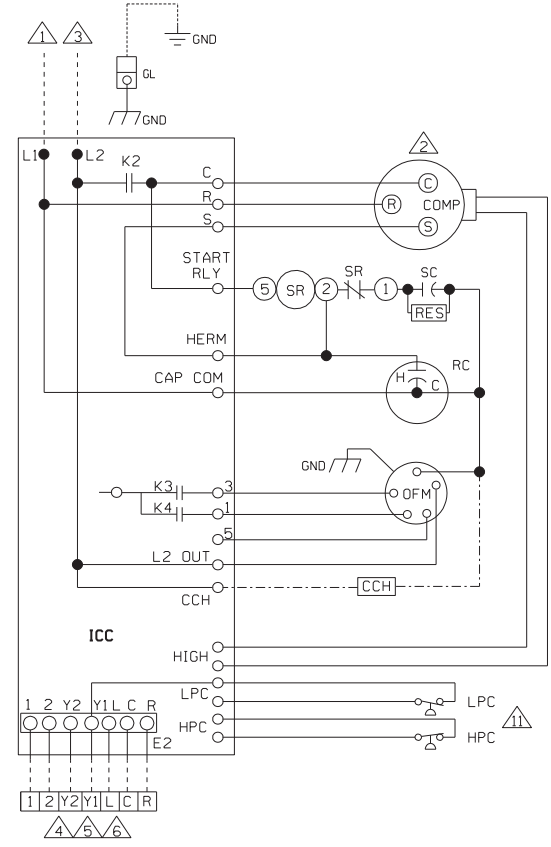


WIRING DIAGRAM



WIRING SCHEMATIC

COMPONENT CODE

NOTES:

WIRING INFORMATION

WIRE COLOR CODE

DWG. NO. 90-102075-05
 REV. 02

CCH	CRANK CASE HEATER
COMP	COMPRESSOR
E	CONTROL BOARD WIRE TERMINATION
GL	GROUND LUG
GND	GROUND, CHASSIS
HPC	HIGH PRES. CUT-OUT CONTROL
ICC	INTEGRATED COMPRESSOR CONTROL
K	CONTROL BOARD RELAY
LPC	LOW PRESSURE CONTROL
OFM	OUTDOOR FAN MOTOR
OPT	OPTIONAL
RC	RUN CAPACITOR
RES	RESISTOR
SC	START CAPACITOR
SR	START RELAY

- CONNECTORS SUITABLE FOR USE WITH COPPER CONDUCTORS ONLY.
- COMPRESSOR MOTOR THERMALLY PROTECTED.
- CONNECT FIELD WIRING IN GROUNDED RAINTIGHT CONDUIT TO FUSED DISCONNECT, VOLTAGE, HERTZ AND PHASE PER RATING PLATE, AND PER NATIONAL AND LOCAL CODES.
- LOW VOLTAGE CIRCUIT TO BE N.E.C. CLASS 2 WITH A CLASS 2 TRANSFORMER 24 VOLT, 50 OR 60 HERTZ, MIN 18 AWG.
- TO THERMOSTAT, REFER TO SYSTEM SCHEMATICS OR SCHEMATICS ON INDOOR SECTION FOR LOW VOLTAGE CONTROL WIRING.
- L OUTPUT USED ON CERTAIN MODEL THERMOSTATS WITH L TERMINAL.
- TEST AND SW2 PUSH BUTTONS USED FOR TEST AND DIAGNOSTIC RECALL. SEE PUSH BUTTON LABEL FOR DETAILS.
- 7-SEGMENT LED TO DISPLAY DIAGNOSTIC CODES. SEE DIAGNOSTIC LABEL FOR DETAILS.
- TORQUE REQUIREMENTS 20 IN-LB. CHECK ANNUALLY.
- SOLID ON INDICATES Y1 CALL PRESENT AT ICC CONTROL.
- LPC AND HPC ARE AUTOMATIC RESET SWITCHES.

- LINE VOLTAGE
- FACTORY STANDARD
 - FACTORY OPTION
 - FIELD INSTALLED
- LOW VOLTAGE
- FACTORY STANDARD
 - FACTORY OPTION
 - FIELD INSTALLED
- REPLACEMENT WIRE
- MUST BE THE SAME SIZE AND TYPE OF INSULATION AS ORIGINAL (105 C° MIN.)
 - WARNING
 - CABINET MUST BE PERMANENTLY GROUNDED AND CONFORM TO I.E.C., N.E.C., C.E.C. AND LOCAL CODES AS APPLICABLE.

BK	BLACK	GY	GRAY	R	RED
BR	BROWN	O	ORANGE	W	WHITE
BL	BLUE	PK	PINK	Y	YELLOW
G	GREEN	PR	PURPLE		

ELECTRICAL WIRING DIAGRAM
 AIR CONDITIONER
 2 STAGE
 INTEGRATED COMPRESSOR CONTROL

DR. BY	APP. BY	DATE	DWG. NO.	REV
MCB		9-17-07	90-102075-05	02