



# RARL

Parts List  
22-July-2013



*This parts list is current as of the above revision date.  
See <http://www.rheempartslists.net/92-42800-RARL.pdf> for the current revision.*

**Condensing Units**

# Table of Contents

Model Explanation .....	Page 3
<b>Parts Numbers</b>	
Panels - Miscellaneous (Granite-Steel Gray) (JEZ) .....	Page 4
Panels - Miscellaneous (Granite-Steel Gray) (JEC) .....	Page 5
Panels - Miscellaneous (Neutra Green) .....	Page 6
Electrical Group (JAZ) .....	Page 7
JEZ) .....	Page 7
Electrical Group (JEC) .....	Page 8
Fan Group .....	Page 9
Coil Parts .....	Page 10
Compressor Group .....	Page 11
Accessories .....	Page 11
<b>Drawings/Photographs</b>	
Exploded View .....	Page 12
Control Box Assembly (JAZ) .....	Page 13
Control Box Assembly (JEZ,JEC) .....	Page 14
Notes/Disclaimer .....	Page 15

**MODEL NUMBER EXPLANATION**

<b>R</b>	<b>A</b>	<b>R</b>	<b>L</b>	<b>-</b>	<b>0</b>	<b>2</b>	<b>4</b>	<b>J</b>	<b>A</b>	<b>Z</b>
<b>(1)</b>	<b>(2)</b>	<b>(3)</b>	<b>(4)</b>			<b>(5)</b>		<b>(6)</b>	<b>(7)</b>	<b>(8)</b>

- |   |  |
|---|--|
| <p><b>(1) TRADEBRAND IDENTIFICATION</b></p> <p><b>(2) MODEL</b><br/>A= CONDENSING UNIT</p> <p><b>(3) TYPE</b><br/>R= 16 SEER</p> <p><b>(4) DESIGN SERIES</b></p> <p><b>(5) COOLING CAPACITY</b><br/>024= 24,000 BTU/HR<br/>025= 24,000 BTU/HR<br/>030= 30,000 BTU/HR<br/>036= 36,000 BTU/HR<br/>037= 36,000 BTU/HR<br/>038= 36,000 BTU/HR<br/>048= 48,000 BTU/HR<br/>049= 48,000 BTU/HR<br/>060= 60,000 BTU/HR<br/>061= 60,000 BTU/HR</p> | <p><b>(6) ELECTRICAL DESIGNATION</b><br/>J= 208-230/1/60</p> <p><b>(7) VARIATIONS</b><br/>A= FULL FEATURED<br/>E= ELECTRONIC</p> <p><b>(8) COMPRESSOR</b><br/>Z= SWEAT W/ SCROLL<br/>C= SERIAL COMMUNICATING</p> |
|---|--|

**SERIAL NUMBER EXPLANATION**

<b>6</b>	<b>7</b>	<b>6</b>	<b>1</b>	<b>M</b>	<b>2</b>	<b>7</b>	<b>0</b>	<b>4</b>	<b>9</b>	<b>9</b>	<b>9</b>	<b>9</b>	<b>9</b>
<b>(1)</b>				<b>(2)</b>	<b>(3)</b>		<b>(4)</b>		<b>(5)</b>				

- (1) COMPRESSOR IDENTIFICATION NUMBER**
- (2) PRODUCTION LOCATION**  
M = Milledgeville, GA
- (3) WEEK OF PRODUCTION**
- (4) YEAR OF PRODUCTION**
- (5) PRODUCTION NUMBER**

No.	Notes	MODEL COOLING CAPACITY VARIATION	RARL -024 JEZ	RARL -025 JEZ	RARL -036 JEZ	RARL -037 JEZ	RARL -038 JEZ	RARL -048 JEZ
<b>SHEET METAL PARTS, MISCELLANEOUS (Granite/Steel Gray, After Date Code 4811)</b>								
1		Base Pan	AE-58426-83	AE-58426-83	AE-58426-83	AE-58426-83	AE-58426-83	AE-58426-83
2		Button Plug	45-22980-07	45-22980-07	45-22980-07	45-22980-07	45-22980-07	45-22980-07
3		Cabinet	AE-100609-85	AE-100609-85	AE-100609-87	AE-100609-87	AE-100609-87	AE-100609-87
4		Top Panel	AE-100618-84	AE-100618-84	AE-100618-85	AE-100618-85	AE-100618-85	AE-100618-85
5		Grille	95-103824-03	95-103824-03	95-100906-06	95-100906-06	95-102925-06	95-100906-06
6	1	Control Box - See Note 1	10-102307-03	10-102307-03	10-102307-03	10-102307-03	10-102307-03	10-102307-03
		Control Box Dust Cover	10-102360-01	10-102360-01	10-102360-01	10-102360-01	10-102360-01	10-102360-01
6a		Capacitor Adapter Plate (2 in. round capacitor)	AE-54609-01	AE-54609-01	AE-54609-01	AE-54609-01	AE-54609-01	AE-54609-01
6a		Capacitor Adapter Plate (2 in. x 1-1/4 in. oval capacitor)	AE-54609-02	AE-54609-02	AE-54609-02	AE-54609-02	AE-54609-02	AE-54609-02
6b		Capacitor Strap - Start Capacitor	AE-50892-51	AE-50892-51	AE-50892-51	AE-50892-51	AE-50892-51	AE-50892-51
7		Access Panel	AE-100617-85	AE-100617-85	AE-100617-87	AE-100617-87	AE-100617-87	AE-100617-87
8		Service Valve - Suction	61-21368-15	61-21368-15	61-21368-15	61-21368-15	61-21368-15	61-101160-21
9		Service Valve - Liquid	61-101160-13	61-101160-13	61-101160-13	61-101160-13	61-101160-13	61-101160-13
		Touch-up Paint - Granite/Steel Gray (Aerosol)	PD523018	PD523018	PD523018	PD523018	PD523018	PD523018
		Touch-up Paint - Granite/Steel Gray (Paint Pens)	PD523019	PD523019	PD523019	PD523019	PD523019	PD523019

No.	Notes	MODEL COOLING CAPACITY VARIATION	RARL -049 JEZ	RARL -060 JEZ	RARL -061 JEZ			
<b>SHEET METAL PARTS, MISCELLANEOUS (Granite/Steel Gray, After Date Code 4811)</b>								
1		Base Pan	AE-58426-83	AE-58426-83	AE-58426-83			
2		Button Plug	45-22980-07	45-22980-07	45-22980-07			
3		Cabinet	AE-100609-87	AE-100609-87	AE-100609-87			
4		Top Panel	AE-100618-85	AE-100618-85	AE-100618-85			
5		Grille	95-100906-06	95-100906-06	95-102925-06			
6	1	Control Box - See Note 1	10-102307-03	10-102307-03	10-102307-03			
		Control Box Dust Cover	10-102360-01	10-102360-01	10-102360-01			
6a		Capacitor Adapter Plate (2 in. round capacitor)	AE-54609-01	AE-54609-01	AE-54609-01			
6a		Capacitor Adapter Plate (2 in. x 1-1/4 in. oval capacitor)	AE-54609-02	AE-54609-02	AE-54609-02			
6b		Capacitor Strap - Start Capacitor	AE-50892-51	AE-50892-50	AE-50892-50			
7		Access Panel	AE-100617-87	AE-100617-87	AE-100617-87			
8		Service Valve - Suction	61-21368-16	61-21368-16	61-21368-16			
9		Service Valve - Liquid	61-101160-13	61-101160-13	61-101160-13			
		Touch-up Paint - Granite/Steel Gray (Aerosol)	PD523018	PD523018	PD523018			
		Touch-up Paint - Granite/Steel Gray (Paint Pens)	PD523019	PD523019	PD523019			

No.	Notes	MODEL COOLING CAPACITY VARIATION	RARL -024 JEC	RARL -025 JEC	RARL -036 JEC	RARL -037 JEC	RARL -038 JEC	RARL -048 JEC
<b>SHEET METAL PARTS, MISCELLANEOUS (Granite/Steel Gray, After Date Code 4811)</b>								
1		Base Pan	AE-58426-83	AE-58426-83	AE-58426-83	AE-58426-83	AE-58426-83	AE-58426-83
2		Button Plug	45-22980-07	45-22980-07	45-22980-07	45-22980-07	45-22980-07	45-22980-07
3		Cabinet	AE-100609-85	AE-100609-85	AE-100609-87	AE-100609-87	AE-100609-87	AE-100609-87
4		Top Panel	AE-100618-84	AE-100618-84	AE-100618-85	AE-100618-85	AE-100618-85	AE-100618-85
5		Grille	95-103824-03	95-103824-03	95-100906-06	95-100906-06	95-102925-06	95-100906-06
6	1	Control Box - See Note 1	10-102307-05	10-102307-05	10-102307-05	10-102307-05	10-102307-05	10-102307-05
		Control Box Dust Cover	10-102360-02	10-102360-02	10-102360-02	10-102360-02	10-102360-02	10-102360-02
6a		Capacitor Adapter Plate (2 in. round capacitor)	AE-54609-01	AE-54609-01	AE-54609-01	AE-54609-01	AE-54609-01	AE-54609-01
6a		Capacitor Adapter Plate (2 in. x 1-1/4 in. oval capacitor)	AE-54609-02	AE-54609-02	AE-54609-02	AE-54609-02	AE-54609-02	AE-54609-02
6b		Capacitor Strap - Start Capacitor	AE-50892-51	AE-50892-51	AE-50892-51	AE-50892-51	AE-50892-51	AE-50892-51
7		Access Panel	AE-100617-85	AE-100617-85	AE-100617-87	AE-100617-87	AE-100617-87	AE-100617-87
8		Service Valve - Suction	61-21368-15	61-21368-15	61-21368-15	61-21368-15	61-21368-15	61-101160-21
9		Service Valve - Liquid	61-101160-13	61-101160-13	61-101160-13	61-101160-13	61-101160-13	61-101160-13
		Touch-up Paint - Granite/Steel Gray (Aerosol)	PD523018	PD523018	PD523018	PD523018	PD523018	PD523018
		Touch-up Paint - Granite/Steel Gray (Paint Pens)	PD523019	PD523019	PD523019	PD523019	PD523019	PD523019

No.	Notes	MODEL COOLING CAPACITY VARIATION	RARL -049 JEC	RARL -060 JEC	RARL -061 JEC			
<b>SHEET METAL PARTS, MISCELLANEOUS (Granite/Steel Gray, After Date Code 4811)</b>								
1		Base Pan	AE-58426-83	AE-58426-83	AE-58426-83			
2		Button Plug	45-22980-07	45-22980-07	45-22980-07			
3		Cabinet	AE-100609-87	AE-100609-87	AE-100609-87			
4		Top Panel	AE-100618-85	AE-100618-85	AE-100618-85			
5		Grille	95-100906-06	95-100906-06	95-102925-06			
6	1	Control Box - See Note 1	10-102307-05	10-102307-05	10-102307-05			
		Control Box Dust Cover	10-102360-02	10-102360-02	10-102360-02			
6a		Capacitor Adapter Plate (2 in. round capacitor)	AE-54609-01	AE-54609-01	AE-54609-01			
6a		Capacitor Adapter Plate (2 in. x 1-1/4 in. oval capacitor)	AE-54609-02	AE-54609-02	AE-54609-02			
6b		Capacitor Strap - Start Capacitor	AE-50892-51	AE-50892-50	AE-50892-50			
7		Access Panel	AE-100617-87	AE-100617-87	AE-100617-87			
8		Service Valve - Suction	61-21368-16	61-21368-16	61-21368-16			
9		Service Valve - Liquid	61-101160-13	61-101160-13	61-101160-13			
		Touch-up Paint - Granite/Steel Gray (Aerosol)	PD523018	PD523018	PD523018			
		Touch-up Paint - Granite/Steel Gray (Paint Pens)	PD523019	PD523019	PD523019			

No.	Notes	MODEL COOLING CAPACITY VARIATION	RARL -024 JAZ/JEZ	RARL -036 JAZ/JEZ	RARL -037 JEZ	RARL -048 JAZ/JEZ	RARL -049 JEZ	RARL -060 JAZ/JEZ
<b>SHEET METAL PARTS, MISCELLANEOUS (Neutra Green, Before Date Code 4811)</b>								
1		Base Pan	AE-58426-03	AE-58426-03	AE-58426-03	AE-58426-03	AE-58426-03	AE-58426-03
2		Button Plug	45-22980-07	45-22980-07	45-22980-07	45-22980-07	45-22980-07	45-22980-07
3		Cabinet	AE-100609-05	AE-100609-07	AE-100609-07	AE-100609-07	AE-100609-07	AE-100609-07
4		Top Panel	AE-100618-04	AE-100618-05	AE-100618-05	AE-100618-05	AE-100618-05	AE-100618-05
5		Grille	95-101742-03	95-100906-04	95-100906-06	95-100906-04	95-100906-06	95-100906-06
6		Control Box - All models except JEZ	AE-100633-01	AE-100633-01	N/A	AE-100633-01	N/A	AE-100633-01
6	1	Control Box - JEZ models - See Note 1	10-102307-03	10-102307-03	10-102307-03	10-102307-03	10-102307-03	10-102307-03
		Control Box Dust Cover - JAZ models	AE-101222-01	AE-101222-01	N/A	AE-101222-01	N/A	AE-101222-01
		Control Box Dust Cover - JEZ models	10-102360-01	10-102360-01	10-102360-01	10-102360-01	10-102360-01	10-102360-01
6a		Capacitor Adapter Plate (2 in. round capacitor)	AE-54609-01	AE-54609-01	AE-54609-01	AE-54609-01	AE-54609-01	AE-54609-01
6a		Capacitor Adapter Plate (2 in. x 1-1/4 in. oval capacitor)	AE-54609-02	AE-54609-02	AE-54609-02	AE-54609-02	AE-54609-02	AE-54609-02
6b		Capacitor Strap - Start Capacitor	AE-50892-51	AE-50892-51	AE-50892-51	AE-50892-51	AE-50892-51	AE-50892-51
7		Access Panel	AE-100617-05	AE-100617-07	AE-100617-07	AE-100617-07	AE-100617-07	AE-100617-07
8		Service Valve - Suction (JAZ models - Before Date Code 0307)	61-21368-15	61-101160-21	N/A	61-21368-16	N/A	61-21368-16
8		Service Valve - Suction (JAZ models - On or after Date Code 0307)	61-21368-15	61-21368-15	N/A	61-21368-16	N/A	61-21368-16
8		Service Valve - Suction (JEZ models - Before Date Code 0307)	61-21368-15	61-21368-15	61-21368-15	61-21368-16	N/A	61-21368-16
8		Service Valve - Suction (JEZ models - On or after Date Code 0307)	61-21368-15	61-21368-15	61-21368-15	61-101160-21	61-21368-16	61-21368-16
9		Service Valve - Liquid	61-101160-13	61-101160-13	61-101160-13	61-101160-13	61-101160-13	61-101160-13
		Touch-up Paint - Green (Aerosol)	52-18662-48	52-18662-48	52-18662-48	52-18662-48	52-18662-48	52-18662-48
		Touch-up Paint - Green (Paint Pens)	523010	523010	523010	523010	523010	523010

No.	Notes	MODEL COOLING CAPACITY VARIATION	RARL -024 JEC	RARL -036 JEC	RARL -037 JEC	RARL -048 JEC	RARL -049 JEC	RARL -060 JEC
<b>SHEET METAL PARTS, MISCELLANEOUS (Neutra Green, Before Date Code 4811)</b>								
1		Base Pan	AE-58426-03	AE-58426-03	AE-58426-03	AE-58426-03	AE-58426-03	AE-58426-03
2		Button Plug	45-22980-07	45-22980-07	45-22980-07	45-22980-07	45-22980-07	45-22980-07
3		Cabinet	AE-100609-05	AE-100609-07	AE-100609-07	AE-100609-07	AE-100609-07	AE-100609-07
4		Top Panel	AE-100618-04	AE-100618-05	AE-100618-05	AE-100618-05	AE-100618-05	AE-100618-05
5		Grille	95-101742-03	95-100906-06	95-100906-06	95-100906-06	95-100906-06	95-100906-06
6	1	Control Box - See Note 1	10-102307-05	10-102307-05	10-102307-03	10-102307-05	10-102307-05	10-102307-05
		Control Box Dust Cover	10-102360-02	10-102360-02	10-102360-01	10-102360-02	10-102360-02	10-102360-02
6a		Capacitor Adapter Plate (2 in. round capacitor)	AE-54609-01	AE-54609-01	AE-54609-01	AE-54609-01	AE-54609-01	AE-54609-01
6a		Capacitor Adapter Plate (2 in. x 1-1/4 in. oval capacitor)	AE-54609-02	AE-54609-02	AE-54609-02	AE-54609-02	AE-54609-02	AE-54609-02
6b		Capacitor Strap - Start Capacitor	AE-50892-51	AE-50892-51	AE-50892-51	AE-50892-51	AE-50892-51	AE-50892-50
7		Access Panel	AE-100617-05	AE-100617-07	AE-100617-07	AE-100617-07	AE-100617-07	AE-100617-07
8		Service Valve - Suction	61-21368-15	61-21368-15	61-21368-15	61-101160-21	61-21368-16	61-21368-16
9		Service Valve - Liquid	61-101160-13	61-101160-13	61-101160-13	61-101160-13	61-101160-13	61-101160-13
		Touch-up Paint - Green (Aerosol)	52-18662-48	52-18662-48	52-18662-48	52-18662-48	52-18662-48	52-18662-48
		Touch-up Paint - Green (Paint Pens)	523010	523010	523010	523010	523010	523010

No.	Notes	MODEL COOLING CAPACITY ELECTRICAL DESIGNATION	RARL -024 JAZ	RARL -036 JAZ	RARL -048 JAZ	RARL -060 JAZ
<b>ELECTRICAL GROUP</b>						
CONTROL BOX COMPONENTS:						
10	Stk	Contactors	42-42139-05	42-42139-05	42-42139-05	42-42478-02
11		Capacitor - Fan Motor/Compressor	See Compressor Group			
12		Start Relay	See Compressor Group			
13		Capacitor - Compressor Start	See Compressor Group			
		Comfort Alert Module	42-101504-02	42-101504-02	42-101504-02	42-101504-02
		Relay - Time Delay	42-22756-04	42-22756-04	42-22756-04	42-22756-04

No.	Notes	MODEL COOLING CAPACITY ELECTRICAL DESIGNATION	RARL -024 JEZ	RARL -025 JEZ	RARL -036 JEZ	RARL -037 JEZ
<b>ELECTRICAL GROUP</b>						
CONTROL BOX COMPONENTS:						
11		Capacitor - Fan Motor/Compressor	See Compressor Group			
12		Start Relay	See Compressor Group			
13		Capacitor - Compressor Start	See Compressor Group			
14	Stk	Control Board	47-102090-02	47-102090-02	47-102090-02	47-102090-02
		Wiring Harness - Fan Motor	See Fan Group			
1		Wiring Harnesses	See Note 1			

No.	Notes	MODEL COOLING CAPACITY ELECTRICAL DESIGNATION	RARL -038 JEZ	RARL -048 JEZ	RARL -049 JEZ	RARL -060 JEZ
<b>ELECTRICAL GROUP</b>						
CONTROL BOX COMPONENTS:						
11		Capacitor - Fan Motor/Compressor	See Compressor Group			
12		Start Relay	See Compressor Group			
13		Capacitor - Compressor Start	See Compressor Group			
14	Stk	Control Board	47-102090-02	47-102090-02	47-102090-02	47-102090-02
		Wiring Harness - Fan Motor	See Fan Group			
1		Wiring Harnesses	See Note 1			

No.	Notes	MODEL COOLING CAPACITY ELECTRICAL DESIGNATION	RARL -061 JEZ			
<b>ELECTRICAL GROUP</b>						
CONTROL BOX COMPONENTS:						
11		Capacitor - Fan Motor/Compressor	See Compressor Group			
12		Start Relay	See Compressor Group			
13		Capacitor - Compressor Start	See Compressor Group			
14	Stk	Control Board	47-102090-02			
		Wiring Harness - Fan Motor	See Fan Group			
1		Wiring Harnesses	See Note 1			

No.	Notes	MODEL COOLING CAPACITY ELECTRICAL DESIGNATION	RARL -024 JEC	RARL -025 JEC	RARL -036 JEC	RARL -037 JEC
<b>ELECTRICAL GROUP</b>						
		CONTROL BOX COMPONENTS:				
11		Capacitor - Fan Motor/Compressor			See Compressor Group	
12		Start Relay			See Compressor Group	
13		Capacitor - Compressor Start			See Compressor Group	
14	Stk	Control Board - Two Stage	47-102090-04	47-102090-08	47-102090-04	47-102090-08
	Stk	Low Ambient Sensor	47-102709-01	47-102709-01	47-102709-01	47-102709-01
		Control - Identity EEPROM	47-102738-67	47-102738-101	47-102738-68	47-102738-90
		Wiring Harness - Fan Motor			See Fan Group	
	1	Wiring Harnesses			See Note 1	

No.	Notes	MODEL COOLING CAPACITY ELECTRICAL DESIGNATION	RARL -038 JEC	RARL -048 JEC	RARL -049 JEC	RARL -060 JEC
<b>ELECTRICAL GROUP</b>						
		CONTROL BOX COMPONENTS:				
11		Capacitor - Fan Motor/Compressor			See Compressor Group	
12		Start Relay			See Compressor Group	
13		Capacitor - Compressor Start			See Compressor Group	
14	Stk	Control Board - Two Stage	47-102090-08	47-102090-04	47-102090-08	47-102090-04
	Stk	Low Ambient Sensor	47-102709-01	47-102709-01	47-102709-01	47-102709-01
		Control - Identity EEPROM	47-102738-102	47-102738-69	47-102738-104	47-102738-70
		Wiring Harness - Fan Motor			See Fan Group	
	1	Wiring Harnesses			See Note 1	

No.	Notes	MODEL COOLING CAPACITY ELECTRICAL DESIGNATION	RARL -061 JEC			
<b>ELECTRICAL GROUP</b>						
		CONTROL BOX COMPONENTS:				
11		Capacitor - Fan Motor/Compressor			See Compressor Group	
12		Start Relay			See Compressor Group	
13		Capacitor - Compressor Start			See Compressor Group	
14	Stk	Control Board - Two Stage	47-102090-08			
	Stk	Low Ambient Sensor	47-102709-01			
		Control - Identity EEPROM	47-102738-103			
		Wiring Harness - Fan Motor			See Fan Group	
	1	Wiring Harnesses			See Note 1	



No.	Notes	MODEL COOLING CAPACITY VARIATION	RARL -024 JAZ/JEZ	RARL -025 JEZ	RARL -036 JAZ/JEZ	RARL -037 JEZ	RARL -038 JEZ	RARL -048 JAZ/JEZ	
<b>FAN GROUP</b>									
15	Stk,2	Fan Motor	51-100999-02	51-100999-02	51-100998-08 (See Note 2)	51-102728-02	51-100998-08	51-100998-08 (See Note 2)	
11		Capacitor - Fan Motor	See Compressor Group						
16	Stk	Fan Blade	70-19896-03	70-19896-03	70-21858-17	70-21858-17	70-104092-01	70-21858-17	
	Stk,1	Wiring Harness - Fan Motor (JEZ Models) - See Note 1	45-102120-01	45-102120-01	45-102120-01	45-102122-01	45-102120-01	45-102120-01	

No.	Notes	MODEL COOLING CAPACITY VARIATION	RARL -049 JEC	RARL -060 JAZ/JEZ	RARL -061 JEC				
<b>FAN GROUP</b>									
15	Stk,2	Fan Motor	51-100998-08	51-101548-03	51-102728-03				
11		Capacitor - Fan Motor	See Compressor Group						
16	Stk	Fan Blade	70-104092-01	70-21858-17	70-104092-01				
	Stk,1	Wiring Harness - Fan Motor (JEZ Models) - See Note 1	45-102120-01	45-102122-01	45-102122-01				

No.	Notes	MODEL COOLING CAPACITY VARIATION	RARL -024 JEC	RARL -025 JEC	RARL -036 JEC	RARL -037 JEC	RARL -038 JEC	RARL -048 JEC	
<b>FAN GROUP</b>									
15	Stk,2	Fan Motor	51-100999-02	51-100999-02	51-100998-08 (See Note 2)	51-102728-02	51-100998-08	51-100998-08 (See Note 2)	
11		Capacitor - Fan Motor	See Compressor Group						
16	Stk	Fan Blade	70-19896-03	70-19896-03	70-21858-17	70-21858-17	70-104092-01	70-21858-17	
	Stk,1	Wiring Harness - Fan Motor - See Note 1	45-102120-02	45-102120-02	45-102120-02	45-102122-01	45-102120-02	45-102120-02	

No.	Notes	MODEL COOLING CAPACITY VARIATION	RARL -049 JEC	RARL -060 JEC	RARL -061 JEC				
<b>FAN GROUP</b>									
15	Stk,2	Fan Motor	51-100998-08	51-101548-03	51-102728-03				
11		Capacitor - Fan Motor	See Compressor Group						
16	Stk	Fan Blade	70-104092-01	70-21858-17	70-104092-01				
	Stk,1	Wiring Harness - Fan Motor - See Note 1	45-102120-02	45-102122-01	45-102122-01				

No.	Notes	MODEL COOLING CAPACITY ELECTRICAL DESIGNATION	RARL -024 JAZ	RARL -036 JAZ	RARL -048 JAZ	RARL -060 JAZ		
<b>COIL GROUP</b>								
17	Stk	Condenser Coil	AS-100420-03	AS-59326-03	AS-59326-03	AS-102375-01		
	Stk	Filter Drier	83-22755-03	83-22755-03	83-22755-05	83-22755-05		
	Stk	High Pressure Control (Straight with 1/4 inch connection)	47-26184-01	47-26184-01	47-26184-01	47-26184-01		
	Stk	Low Pressure Control (90 Deg Elbow with 5/16 inch connection)	47-101529-02	47-101529-02	47-101529-02	47-101529-02		
		Distributor w/out Header Tubes - 3 way (1/2 in. to 3/8 in.)	83-17467-06	83-17467-06	83-17467-06	N/A		
		Distributor w/out Header Tubes - 3 way (3/8 in. to 3/8 in.)	83-17467-07	83-17467-07	83-17467-07	83-17467-07 (2)		

No.	Notes	MODEL COOLING CAPACITY ELECTRICAL DESIGNATION	RARL -024/-025 JEZ	RARL -036 JEZ	RARL -037/-038 JEZ	RARL -048 JEZ	RARL -049 JEZ	RARL -060/-061 JEZ
<b>COIL GROUP</b>								
17	Stk	Condenser Coil	AS-100420-03	AS-59326-03	AS-59326-03	AS-59326-03	AS-59326-03	AS-102375-01
	Stk	Filter Drier	83-22755-03	83-22755-03	83-22755-03	83-22755-05	83-22755-05	83-22755-05
	Stk	High Pressure Control (90 Deg Elbow with 1/4 inch connection)	N/A	N/A	N/A	N/A	47-103669-01	N/A
	Stk	Low Pressure Control (90 Deg Elbow with 1/4 inch connection) - after W0311	N/A	N/A	N/A	N/A	47-103670-02	N/A
	Stk	High Pressure Control (Straight with 1/4 inch connection) - before W0311	47-26184-01	47-26184-01	47-26184-01	47-26184-01	N/A	47-26184-01
	Stk	High Pressure Control (90 Deg Elbow with 1/4 inch connection) - after W0311	47-103669-01	47-103669-01	47-103669-01	47-103669-01	N/A	47-103669-01
	Stk	Low Pressure Control (90 Deg Elbow with 5/16 inch connection) - before W0311	47-101529-04	47-101529-04	47-101529-04	47-101529-04	N/A	47-101529-04
	Stk	Low Pressure Control (90 Deg Elbow with 1/4 inch connection) - after W0311	47-103670-02	47-103670-02	47-103670-02	47-103670-02	N/A	47-103670-02
		Distributor w/out Header Tubes - 3 way (1/2 in. to 3/8 in.)	83-17467-06	83-17467-06	83-17467-06	83-17467-06	83-17467-06	N/A
		Distributor w/out Header Tubes - 3 way (3/8 in. to 3/8 in.)	83-17467-07	83-17467-07	83-17467-07	83-17467-07	83-17467-07	83-17467-07 (2)

No.	Notes	MODEL COOLING CAPACITY ELECTRICAL DESIGNATION	RARL -024/-025 JEC	RARL -036 JEC	RARL -037/-038 JEC	RARL -048 JEC	RARL -049 JEC	RARL -060/-061 JEC	
<b>COIL GROUP</b>									
17	Stk	Condenser Coil	AS-100420-03	AS-59326-03	AS-59326-03	AS-59326-03	AS-59326-03	AS-102375-01	
	Stk	Filter Drier	83-22755-03	83-22755-03	83-22755-03	83-22755-05	83-22755-05	83-22755-05	
	Stk	High Pressure Control (90 Deg Elbow with 1/4 inch connection)	N/A	N/A	N/A	N/A	47-103669-01	N/A	
	Stk	Low Pressure Control (90 Deg Elbow with 1/4 inch connection) - after W0311	N/A	N/A	N/A	N/A	47-103670-02	N/A	
	Stk	High Pressure Control (Straight with 1/4 inch connection) - before W0311	47-26184-01	47-26184-01	47-26184-01	47-26184-01	N/A	47-26184-01	
	Stk	High Pressure Control (90 Deg Elbow with 1/4 inch connection) - after W0311	47-103669-01	47-103669-01	47-103669-01	47-103669-01	N/A	47-103669-01	
	Stk	Low Pressure Control (90 Deg Elbow with 5/16 inch connection) - before W0311	47-101529-04	47-101529-04	47-101529-04	47-101529-04	N/A	47-101529-04	
	Stk	Low Pressure Control (90 Deg Elbow with 1/4 inch connection) - after W0311	47-103670-02	47-103670-02	47-103670-02	47-103670-02	N/A	47-103670-02	
		Low Ambient Sensor	See Electrical Group						
		Distributor w/out Header Tubes - 3 way (1/2 in. to 3/8 in.)	83-17467-06	83-17467-06	83-17467-06	83-17467-06	83-17467-06	N/A	
		Distributor w/out Header Tubes - 3 way (3/8 in. to 3/8 in.)	83-17467-07	83-17467-07	83-17467-07	83-17467-07	83-17467-07	83-17467-07 (2)	

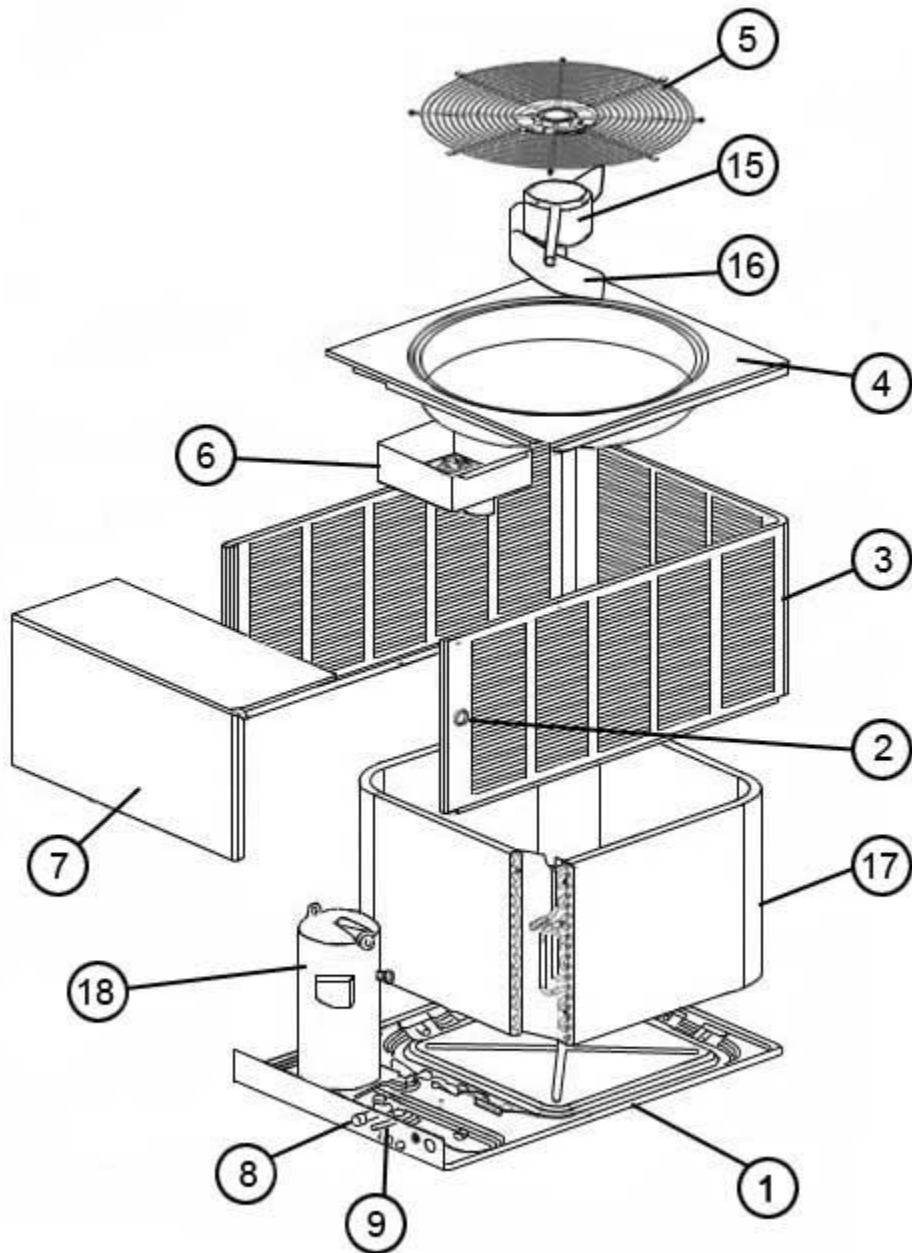
No.	Notes	MODEL COOLING CAPACITY VARIATION	RARL -024 JAZ/JEZ	RARL -025 JEZ	RARL -036 JAZ/JEZ	RARL -037 JEZ	RARL -038 JEZ
<b>COMPRESSOR GROUP</b>							
		<b>Compressor ID:</b>	<b>7230</b>	<b>8612</b>	<b>7231</b>	<b>8330</b>	<b>8613</b>
18	Stk	Compressor	55-23156-08S	55-23156-35S	55-23156-09S	55-23156-09S	55-23156-36S
	Stk	Compressor Wiring Harness (Line Voltage - Molded Plug) - JAZ	45-100834-80	N/A	45-100834-80	N/A	N/A
	Stk,1	Compressor Wiring Harness (Line Voltage - Molded Plug) - JEZ - See Note 1	45-100834-08	45-100834-07	45-100834-08	45-100834-07	45-100834-07
	Stk,1	Compressor Wiring Harness (Low Voltage - Molded Plug) - See Note 1	45-101723-01	45-101723-03	45-101723-01	45-101723-01	45-101723-03
11	Stk,2	Capacitor - Compressor/Fan	43-26261-04	43-101665-04	43-26271-51 See Note 2	N/A	43-101665-51
11	Stk	Capacitor - Compressor Only	N/A	N/A	N/A	43-101666-24	N/A
12	Stk	Start Relay	42-18282-09	42-100491-09	42-18282-09	42-18282-09	42-100491-09
13	Stk	Start Capacitor	43-17075-04	43-17075-04	43-17075-04	43-17075-04	43-17075-04
		Sound Enclosure - Bottom	68-23427-15	N/A	68-23427-15	N/A	N/A
		Sound Enclosure - Top	68-23427-18	68-23427-26	68-23427-18	68-23427-24	68-23427-26

No.	Notes	MODEL COOLING CAPACITY VARIATION	RARL -048 JAZ/JEZ	RARL -049 JEZ	RARL -060 JAZ/JEZ	RARL -061 JEZ	
<b>COMPRESSOR GROUP</b>							
		<b>Compressor ID:</b>	<b>7232</b>	<b>8530</b>	<b>7233</b>	<b>8614</b>	
18	Stk	Compressor	55-23156-10S	55-23156-37	55-23156-11S	55-23156-34S	
	Stk	Compressor Wiring Harness (Line Voltage - Molded Plug) - JAZ	45-100834-80	N/A	45-100834-80	N/A	
	Stk,1	Compressor Wiring Harness (Line Voltage - Molded Plug) - JEZ - See Note 1	45-100834-08	45-100834-08	45-100834-08	45-100834-08	
	Stk,1	Compressor Wiring Harness (Low Voltage - Molded Plug) - See Note 1	45-101723-01	45-101723-03	45-101723-01	45-101723-03	
11	Stk,2	Capacitor - Compressor/Fan	43-26271-52 See Note 2	43-101665-56	N/A	N/A	
11	Stk	Capacitor - Compressor Only	N/A	N/A	43-21298-51	43-101666-25	
12	Stk	Start Relay	42-18282-09	42-100491-11	42-18282-09	42-100491-09	
13	Stk	Start Capacitor	43-17075-04	43-17075-04	43-17075-04	43-17075-04	
		Sound Enclosure - Bottom	68-23427-15	N/A	N/A	N/A	
		Sound Enclosure - Top	68-23427-18	68-23427-25	68-23427-19	68-23427-25	

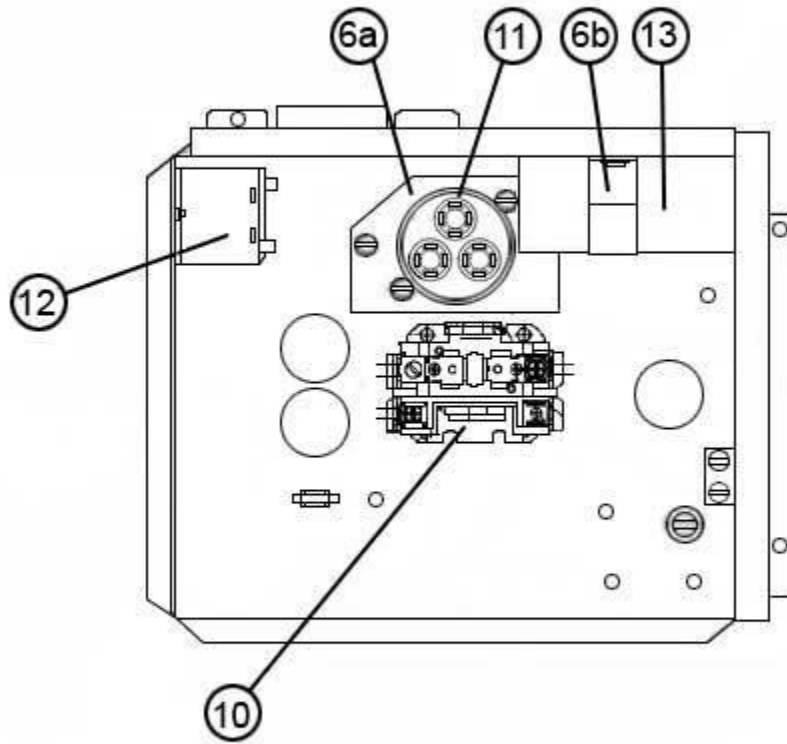
No.	Notes	MODEL COOLING CAPACITY VARIATION	RARL -024 JEC	RARL -025 JEC	RARL -036 JEC	RARL -037 JEC	RARL -038 JEC
<b>COMPRESSOR GROUP</b>							
		<b>Compressor ID:</b>	<b>7230</b>	<b>8612</b>	<b>7231</b>	<b>8330</b>	<b>8613</b>
18	Stk	Compressor	55-23156-08S	55-23156-35S	55-23156-09S	55-23156-09S	55-23156-36S
	Stk,1	Compressor Wiring Harness (Line Voltage - Molded Plug) - See Note 1	45-100834-80	45-100834-04	45-100834-80	45-100834-04	45-100834-04
	Stk,1	Compressor Wiring Harness (Low Voltage - Molded Plug) - See Note 1	45-101723-01	45-101723-01	45-101723-01	45-101723-01	45-101723-01
11	Stk,2	Capacitor - Compressor/Fan	43-26261-04	43-26261-04	43-101665-09 See Note 2	N/A	43-101665-51
11	Stk	Capacitor - Compressor Only	N/A	N/A	N/A	43-101666-24	N/A
12	Stk	Start Relay	42-100491-09	42-100491-09	42-100491-09	42-100491-09	42-100491-09
13	Stk	Start Capacitor	43-17075-04	43-17075-04	43-17075-04	43-17075-04	43-17075-04
		Sound Enclosure - Top	68-23427-24	68-23427-26	68-23427-24	68-23427-24	68-23427-26

No.	Notes	MODEL COOLING CAPACITY VARIATION	RARL -048 JEC	RARL -049 JEC	RARL -060 JEC	RARL -061 JEC	
<b>COMPRESSOR GROUP</b>							
		<b>Compressor ID:</b>	<b>7232</b>	<b>8530</b>	<b>7233</b>	<b>8614</b>	
18	Stk	Compressor	55-23156-10S	55-23156-37	55-23156-11S	55-23156-34S	
	Stk,1	Compressor Wiring Harness (Line Voltage - Molded Plug) - See Note 1	45-100834-09	45-100834-09	45-100834-09	45-100834-09	
	Stk,1	Compressor Wiring Harness (Low Voltage - Molded Plug) - See Note 1	45-101723-01	45-101723-01	45-101723-01	45-101723-01	
11	Stk,2	Capacitor - Compressor/Fan	43-26271-52 See Note 2	43-101665-56	N/A	N/A	
11	Stk	Capacitor - Compressor Only	N/A	N/A	43-21298-51	43-101666-25	
12	Stk	Start Relay	42-100491-09	42-100491-11	42-100491-09	42-100491-09	
13	Stk	Start Capacitor	43-17075-04	43-17075-04	43-17075-04	43-17075-04	
		Sound Enclosure - Top	68-23427-24	68-23427-25	68-23427-19	68-23427-25	

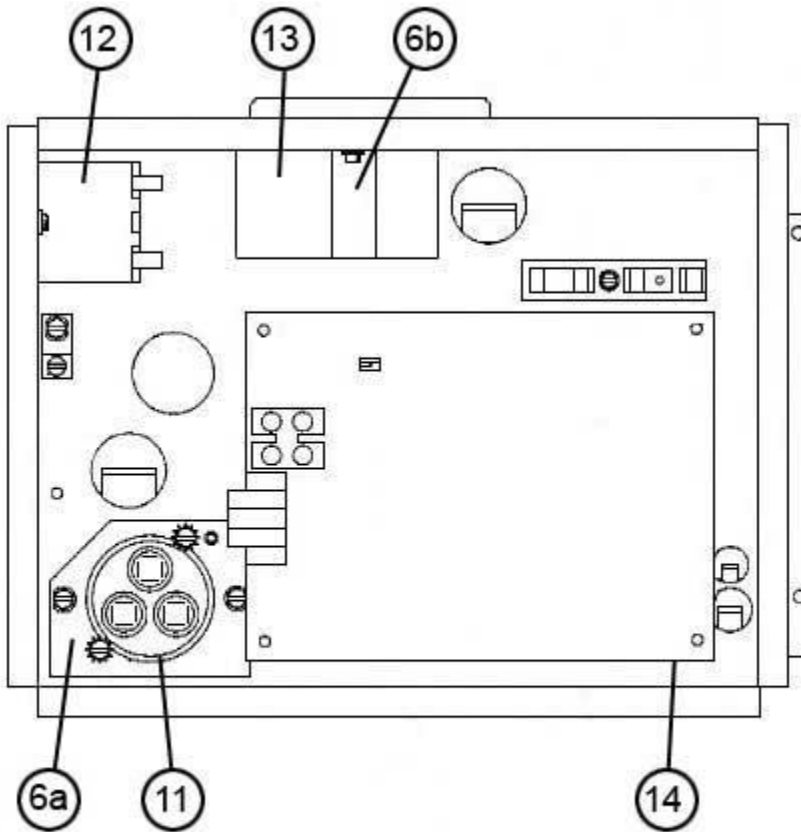
No.	Notes	MODEL VARIATIONS	RARL ALL				
<b>ACCESSORIES</b>							
		Low Ambient Control	RXAD-A08				



Exploded View



Control Box Assembly (JAZ)



Control Box Assembly (JEZ, JEC)

# NOTES

Stk It is recommended that stock be maintained for this part.

N/A Not Applicable

- 1 Wiring Harnesses not listed individually are included with the JEZ, JEC model Control Box (item 6).
- 2 On approximate Date Code 1810, a motor design change was implemented to improve reliability. The capacitor listed is for the new motor design.

**DISCLAIMER:** This document is intended to provide general replacement parts information to aid qualified service personnel in the repair of these models. The complete Model and Serial Number of the unit under repair should be specified when selecting and ordering replacement parts. Specifications and illustrations are subject to change without notice. Document 92-42800-RARL supersedes all previous parts lists for these models. See <http://www.rheempartslists.net/92-42800-RARL> for the latest revision of this document. The manufacturer assumes no obligation for errors or omissions. Service personnel must verify the proper and safe operation of equipment after the replacement of any original components.