



The new degree of comfort.™

Rheem Prestige Series™ equipped with Comfort Control System™



RAPM- JEZ Series

Efficiencies up to 16 SEER/13.55 EER
Nominal Sizes 1.5 to 5 Ton [5.28 to 17.6 kW]
Cooling Capacities 18.8 to 62.5 kBTU
[5.50 to 18.32 kW]



"Proper sizing and installation of equipment is critical to achieve optimal performance. Ask your Contractor for details or visit www.energystar.gov."

- The *Comfort Control System™* provides on-board diagnostics and fault history for condensing units with single-phase compressors by detecting system and electrical problems without adding sensors. It can also communicate "fault codes" to enabled "L terminal" thermostats. The integrated diagnostics with *Active Protection™* prevents compressor operation when potentially harmful conditions are detected.
- 7-Segment LED Display is exclusive only to Rheem products. The information-display quickly and accurately shows technicians the source of malfunctions.
- Features a five-year conditional unit replacement warranty when properly installed with a new Rheem Air Handler or Rheem Indoor Coil with a Rheem Gas Furnace. See product warranty card for additional information.
- Compressor sound blanket is standard to provide quiet operation.
- Attractive, louvered wrap-around jacket protects the coil from yard hazards and weather extremes. Top grille is steel reinforced for extra strength. Cabinet is powder painted for all-weather protection.
- Air is discharged upward away from bushes and shrubs. The discharge pattern of the top grille provides minimum air restriction.
- Combination Grille/Motor Mount secures the motor to the underside of the discharge grille. The grille protects the motor windings and bearings from rain and snow.
- Removable top grille provides access to the condenser fan motor and condenser coil.
- Single speed 8-pole fan motor designed for low speed, quiet, energy-saving operation.
- All models meet or exceed a 1000-hour salt spray test per ASTM B117 Standard Practice for Operating Salt Spray Testing Apparatus.



TABLE OF CONTENTS

| | |
|---|------|
| Model Features | 3 |
| Model Number Identification | 4 |
| Accessories..... | 4 |
| Scroll Compressor | 4 |
| Performance Data | 5-30 |
| Electrical & Physical Data | 31 |
| Unit Dimensions..... | 32 |
| Refrigerant Line Size Information | 33 |
| Limited Warranty | 34 |

The Comfort Control System™ Features:

- The Rheem exclusive 7-Segment LED Display easily shows system operating status codes and diagnostic codes.

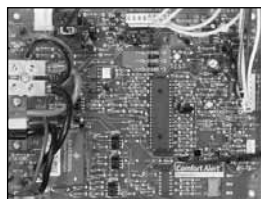
- A Sealed Switch replaces the standard



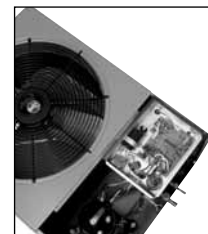
contactor and features optical control and latching mechanism. The sealed switch prevents infiltration of insects and dust. A minimal switching arc, by the optical control, offers greater reliability. The latching mechanism consumes less power while reducing chatter.



- The Status Indication and System Diagnostics feature thermostat communication capability, built-in diagnostics, high & low voltage monitoring and high & low pressure switch monitoring. The thermostat communication capability alerts the homeowner to any necessary service requirements. Faster, more accurate service is provided by the built-in diagnostics, by providing the HVAC professional with dependable information. With the high and low voltage monitoring feature, the control provides alerts for out-of-range conditions. In addition, high and low pressure-switch monitoring prevents the system from operating outside of its normal parameters.



- The fault recall feature will allow for the last six fault-codes to be displayed, and will retain these codes even if power failure occurs.
- Built-in short-cycle protection allows the compressor to restart easily without oil removal.
- A 30-second minimum run-time for every compressor call enables the oil return to the compressor.
- *Active Protection* monitors the system to prevent nuisance lockouts and prevents compressor operation when potentially harmful conditions are detected.
- The compressor and fan are controlled independently, which reduces the starting load and light dimming.
- A push-button is offered to operate the compressor and fan for 5 seconds to allow for an operation check.
- In order to save time and money, replacement automotive fuses can be utilized instead of replacing the entire control board.

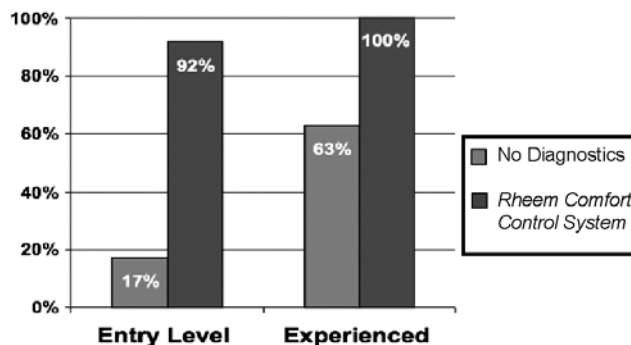


Standard Features

RAPM- JEZ Condensing Units

1. This unit contains a special scroll compressor that is designed specifically to operate with R-410A refrigerants and polyolester (POE) oils. The compressor is hermetically sealed and incorporates internal high temperature motor overload protection and durable insulation on the motor windings. It is externally mounted on rubber grommets to reduce vibration and noise.
2. Scroll compressor is hermetically sealed and incorporates internal high temperature motor overload protection, and durable insulation on the motor windings. It is externally mounted on rubber grommets to reduce vibration and noise.
3. Compressors have an internal pressure relief assembly to protect against excessive pressure differential.
4. All refrigerant connections are on the exterior of the unit, located close to the ground for neat appearing installations.
5. Cabinet is constructed of powder painted galvanized steel. The full wrap-around louvered grille protects the coil from damage.
6. Enhanced compressor sound blanket is standard.
7. Copper tube—aluminum fin coils are used on all models.
8. The control box is located in the top corner of the cabinet providing for easy access through a service panel.
9. Service valves are standard on all models.
10. Field connections for power and control wiring are kept separate.
11. Every unit is factory charged and run-tested.
12. Separate compressor compartment for easy service access.
13. Drawn, painted base pan for extra corrosion resistance and sound reduction.
14. The **RAPM- JEZ** has a 10 year limited compressor warranty, plus a 5 year conditional unit replacement warranty. See General Terms of Limited Warranty for more details.
15. **Hard Start Kits**—Standard on all JEZ models.
16. Control Box Cover.
17. Automatic reset high and low pressure controls are standard on all JEZ models.
18. Liquid line filter drier is standard on all models (shipped – not installed).

Problem-Solving Accuracy





Model Number Identification

| <u>R</u> | <u>A</u> | <u>P</u> | <u>M</u> | — | <u>018</u> | <u>J</u> | <u>E</u> | <u>Z</u> |
|----------|------------------------------|-------------|--------------------------------------|---|---|---------------------------|---|----------------------------------|
| RHEEM | REMOTE CONDENSING UNIT | P = 14 SEER | DESIGN SERIES | | COOLING CAPACITY | ELECTRICAL DESIGNATION | VARIATIONS EQUIPPED WITH THE <i>COMFORT</i> <i>CONTROL SYSTEM</i> [™] | COOLING CONNECTION FITTING |
| | | | M = R-410A (2ND DESIGN SERIES) | | 018 = 18,000 BTU/HR [5.28 kW] 024 = 24,000 BTU/HR [7.03 kW] 030 = 30,000 BTU/HR [8.79 kW] 036 = 36,000 BTU/HR [10.55 kW] 042 = 42,000 BTU/HR [12.31 kW] 048 = 48,000 BTU/HR [14.07 kW] 056 = 56,000 BTU/HR [16.41 kW] 060 = 60,000 BTU/HR [17.58 kW] | J = 208/230V-1-60 | | Z = SWEAT W/SCROLL |

Accessories

- Low Ambient Control (RXAD-A08)
- Crankcase Heater

Thermostats



200-Series *
Programmable



300-Series *
Deluxe
Programmable

400-Series *
Special Applications/
Programmable



500-Series *
Communicating/
Programmable

| Brand | Descriptor (3 Characters) | Series (3 Characters) | System (2 Characters) | Type (2 Characters) |
|-----------|------------------------------|--|---|-----------------------------------|
| RHC | TST | 213 | UN | MS |
| RHC=Rheem | TST=Thermostat | 200=Programmable 300=Deluxe Programmable 400=Special Applications/ Programmable 500=Communicating/ Programmable | GE=Gas/Electric UN=Universal (AC/HP/GE) MD=Modulating Furnace DF=Dual Fuel CM=Communicating | SS=Single-Stage MS=Multi-Stage |

* Photos are representative. Actual models may vary.

For detailed thermostat match-up information,
see specification sheet form number T11-001.

Scroll® Compressor

The reliable scroll compressor is the key to efficiency for this Rheem model. It's the latest in high-efficiency compressor technology. The advanced scroll compressor offers low noise and vibration characteristics and features tolerance to liquid refrigerant and system contamination. The scroll compressor also has low start torque, reducing start problems in the field. And its unique design enables air conditioners to perform efficiently and quietly.



[] Designates Metric Conversions

Performance Data @ AHRI Standard Conditions—Cooling

| Model Numbers | | 80°F [26.5°C] DB/67°F [19.5°C] WB Indoor Air 95°F [35°C] DB Outdoor Air | | | | | Sound Rating dB | Indoor CFM [L/s] |
|---------------------------|-----------------------------------|--|----------------------------|--------------------------|-------|-------|--------------------|------------------|
| Outdoor Unit RAPM- | Indoor Coil and/or Air Handler | Total Capacity BTU/H [kW] | Net Sensible BTU/H [kW] | Net Latent BTU/H [kW] | EER | SEER | | |
| Rev. 6/14/12 | RCFL-H*2417+RXMD-C04 ① | 18,900 [5.5] | 13,900 [4.1] | 5,000 [1.5] | 12.00 | 14.50 | 74 | 650 [307] |
| | RCFL-A*2414+RXMD-C04 | 18,800 [5.5] | 13,800 [4.0] | 5,000 [1.5] | 12.00 | 14.50 | 74 | 650 [307] |
| | RCFL-A*2417(RGFE-06?MCK?) | 18,900 [5.5] | 13,650 [4.0] | 5,250 [1.5] | 13.00 | 16.00 | 74 | 575 [271] |
| | RCFL-A*2417(RGFE-07?MCK?) | 19,100 [5.6] | 13,850 [4.1] | 5,250 [1.5] | 13.00 | 16.00 | 74 | 600 [283] |
| | RCFL-A*2417(RGFG-06?MCK?) | 19,000 [5.6] | 13,800 [4.0] | 5,200 [1.5] | 13.00 | 16.00 | 74 | 575 [271] |
| | RCFL-A*2417(RGFG-07?MCK?) | 19,100 [5.6] | 13,900 [4.1] | 5,200 [1.5] | 13.00 | 16.00 | 74 | 600 [283] |
| | RCFL-A*2417(RGGE-06?MCK?) | 19,300 [5.7] | 14,150 [4.1] | 5,150 [1.5] | 13.00 | 16.00 | 74 | 625 [295] |
| | RCFL-A*2417(RGGE-07?MCK?) | 19,000 [5.6] | 13,700 [4.0] | 5,300 [1.6] | 13.00 | 16.00 | 74 | 575 [271] |
| | RCFL-A*2417(RGLE-07?AMK?) | 19,100 [5.6] | 13,850 [4.1] | 5,250 [1.5] | 13.00 | 16.00 | 74 | 600 [283] |
| | RCFL-A*2417(RGLT-07?AMK?) | 19,400 [5.7] | 14,250 [4.2] | 5,150 [1.5] | 13.00 | 16.00 | 74 | 675 [319] |
| | RCFL-A*2417(RGPE-05?BMK?) | 18,900 [5.5] | 13,650 [4.0] | 5,250 [1.5] | 13.00 | 16.00 | 74 | 575 [271] |
| | RCFL-A*2417(RGPE-07?AMK?) | 19,400 [5.7] | 14,250 [4.2] | 5,150 [1.5] | 13.00 | 16.00 | 74 | 625 [295] |
| | RCFL-A*2417(RGPT-05?BMK?) | 19,300 [5.7] | 14,200 [4.2] | 5,100 [1.5] | 13.00 | 16.00 | 74 | 650 [307] |
| | RCFL-A*2417(RGPT-07?AMK?) | 19,400 [5.7] | 14,250 [4.2] | 5,150 [1.5] | 13.00 | 16.00 | 74 | 625 [295] |
| | RCFL-A*2417(RGRM-04?MAE?) | 18,900 [5.5] | 13,650 [4.0] | 5,250 [1.5] | 13.00 | 16.00 | 74 | 575 [271] |
| | RCFL-A*2417(RGRM-06?MAE?) | 19,100 [5.6] | 13,850 [4.1] | 5,250 [1.5] | 13.00 | 16.00 | 74 | 600 [283] |
| | RCFL-A*2417(RGRM-07?MAE?) | 19,300 [5.7] | 14,200 [4.2] | 5,100 [1.5] | 13.00 | 16.00 | 74 | 625 [295] |
| | RCFL-A*2417(RGTM-06?MAE?) | 19,300 [5.7] | 14,200 [4.2] | 5,100 [1.5] | 13.00 | 16.00 | 74 | 625 [295] |
| | RCFL-A*2417(ROCA-070E03) | 19,100 [5.6] | 13,900 [4.1] | 5,200 [1.5] | 13.00 | 16.00 | 74 | 600 [283] |
| | RCFL-A*2417(ROLA-070E03) | 19,100 [5.6] | 13,900 [4.1] | 5,200 [1.5] | 13.00 | 16.00 | 74 | 600 [283] |
| | RCFL-A*2417+RXMD-C04 | 18,900 [5.5] | 13,900 [4.1] | 5,000 [1.5] | 12.00 | 14.50 | 74 | 650 [307] |
| | RCFL-H*2414+RXMD-C04 | 18,800 [5.5] | 13,800 [4.0] | 5,000 [1.5] | 12.00 | 14.50 | 74 | 650 [307] |
| | RCFL-H*2417(RGFE-06?MCK?) | 18,900 [5.5] | 13,650 [4.0] | 5,250 [1.5] | 13.00 | 16.00 | 74 | 575 [271] |
| | RCFL-H*2417(RGFE-07?MCK?) | 19,100 [5.6] | 13,850 [4.1] | 5,250 [1.5] | 13.00 | 16.00 | 74 | 600 [283] |
| | RCFL-H*2417(RGFG-06?MCK?) | 19,000 [5.6] | 13,800 [4.0] | 5,200 [1.5] | 13.00 | 16.00 | 74 | 575 [271] |
| | RCFL-H*2417(RGFG-07?MCK?) | 19,100 [5.6] | 13,900 [4.1] | 5,200 [1.5] | 13.00 | 16.00 | 74 | 600 [283] |
| | RCFL-H*2417(RGGE-06?MCK?) | 19,300 [5.7] | 14,150 [4.1] | 5,150 [1.5] | 13.00 | 16.00 | 74 | 625 [295] |
| | RCFL-H*2417(RGGE-07?MCK?) | 19,000 [5.6] | 13,700 [4.0] | 5,300 [1.6] | 13.00 | 16.00 | 74 | 575 [271] |
| | RCFL-H*2417(RGJF-06?MCK?) | 19,300 [5.7] | 14,150 [4.1] | 5,150 [1.5] | 13.00 | 16.00 | 74 | 625 [295] |
| | RCFL-H*2417(RGJF-07?MCK?) | 19,000 [5.6] | 13,700 [4.0] | 5,300 [1.6] | 13.00 | 16.00 | 74 | 575 [271] |
| | RCFL-H*2417(RGLE-07?AMK?) | 19,100 [5.6] | 13,850 [4.1] | 5,250 [1.5] | 13.00 | 16.00 | 74 | 600 [283] |
| | RCFL-H*2417(RGLT-07?AMK?) | 19,400 [5.7] | 14,250 [4.2] | 5,150 [1.5] | 13.00 | 16.00 | 74 | 675 [319] |
| | RCFL-H*2417(RGPE-05?BMK?) | 18,900 [5.5] | 13,650 [4.0] | 5,250 [1.5] | 13.00 | 16.00 | 74 | 575 [271] |
| | RCFL-H*2417(RGPE-07?AMK?) | 19,400 [5.7] | 14,250 [4.2] | 5,150 [1.5] | 13.00 | 16.00 | 74 | 625 [295] |
| RCFL-H*2417(RGPT-05?BMK?) | 19,300 [5.7] | 14,200 [4.2] | 5,100 [1.5] | 13.00 | 16.00 | 74 | 650 [307] | |
| RCFL-H*2417(RGPT-07?AMK?) | 19,400 [5.7] | 14,250 [4.2] | 5,150 [1.5] | 13.00 | 16.00 | 74 | 625 [295] | |
| RCFL-H*2417(RGRM-04?MAE?) | 18,900 [5.5] | 13,650 [4.0] | 5,250 [1.5] | 13.00 | 16.00 | 74 | 575 [271] | |
| RCFL-H*2417(RGRM-06?MAE?) | 19,100 [5.6] | 13,850 [4.1] | 5,250 [1.5] | 13.00 | 16.00 | 74 | 600 [283] | |
| RCFL-H*2417(RGRM-07?MAE?) | 19,300 [5.7] | 14,200 [4.2] | 5,100 [1.5] | 13.00 | 16.00 | 74 | 625 [295] | |
| RCFL-H*2417(RGTM-06?MAE?) | 19,300 [5.7] | 14,200 [4.2] | 5,100 [1.5] | 13.00 | 16.00 | 74 | 625 [295] | |
| RCFL-H*2417(ROCA-070E03) | 19,100 [5.6] | 13,900 [4.1] | 5,200 [1.5] | 13.00 | 16.00 | 74 | 600 [283] | |
| RCFL-H*2417(ROLA-070E03) | 19,100 [5.6] | 13,900 [4.1] | 5,200 [1.5] | 13.00 | 16.00 | 74 | 600 [283] | |
| RBHP-17(RCHL-24A2) | 19,000 [5.6] | 13,500 [4.0] | 5,500 [1.6] | 13.00 | 16.00 | 74 | 650 [307] | |
| RCQD-2417(RGFE-06?MCK?) | 19,500 [5.7] | 14,400 [4.2] | 5,100 [1.5] | 13.00 | 16.00 | 74 | 575 [271] | |
| RCQD-2417(RGFE-07?MCK?) | 19,600 [5.7] | 14,550 [4.3] | 5,050 [1.5] | 13.00 | 16.00 | 74 | 600 [283] | |
| RCQD-2417(RGFG-06?MCK?) | 19,500 [5.7] | 14,400 [4.2] | 5,100 [1.5] | 13.00 | 16.00 | 74 | 575 [271] | |
| RCQD-2417(RGFG-07?MCK?) | 19,500 [5.7] | 14,500 [4.2] | 5,000 [1.5] | 13.00 | 16.00 | 74 | 600 [283] | |
| RCQD-2417(RGJF-06?MCK?) | 19,800 [5.8] | 14,800 [4.3] | 5,000 [1.5] | 13.00 | 16.00 | 74 | 625 [295] | |

① Highest sales volume tested combination required by D.O.E. test procedures.

[] Designates Metric Conversions

Performance Data @ AHRI Standard Conditions—Cooling

| Model Numbers | | 80°F [26.5°C] DB/67°F [19.5°C] WB Indoor Air 95°F [35°C] DB Outdoor Air | | | | | Sound Rating dB | Indoor CFM [L/s] |
|-----------------------|-----------------------------------|--|----------------------------|--------------------------|-------|-------|--------------------|---------------------|
| Outdoor Unit RAPM- | Indoor Coil and/or Air Handler | Total Capacity BTU/H [kW] | Net Sensible BTU/H [kW] | Net Latent BTU/H [kW] | EER | SEER | | |
| Rev. 6/14/12 | RCQD-2417(RGJF-07?MCK?) | 19,500 [5.7] | 14,400 [4.2] | 5,100 [1.5] | 13.00 | 16.00 | 74 | 575 [271] |
| | RCQD-2417(RGPE-05?BMK?) | 19,500 [5.7] | 14,400 [4.2] | 5,100 [1.5] | 13.00 | 16.00 | 74 | 575 [271] |
| | RCQD-2417(RGPE-07?AMK?) | 19,800 [5.8] | 14,800 [4.3] | 5,000 [1.5] | 13.00 | 16.00 | 74 | 625 [295] |
| | RCQD-2417(RGPT-05?BMK?) | 19,800 [5.8] | 14,900 [4.4] | 4,900 [1.4] | 13.00 | 16.00 | 74 | 650 [307] |
| | RCQD-2417(RGPT-07?AMK?) | 19,800 [5.8] | 15,100 [4.4] | 4,700 [1.4] | 13.00 | 16.00 | 74 | 625 [295] |
| | RCQD-2417(RGRM-04?MAE?) | 19,800 [5.8] | 14,850 [4.4] | 4,950 [1.5] | 13.00 | 16.00 | 74 | 575 [271] |
| | RCQD-2417(RGRM-06?MAE?) | 19,900 [5.8] | 15,000 [4.4] | 4,900 [1.4] | 13.00 | 16.00 | 74 | 600 [283] |
| | RCQD-2417(RGRM-07?MAE?) | 20,200 [5.9] | 15,400 [4.5] | 4,800 [1.4] | 13.00 | 16.00 | 74 | 625 [295] |
| | RCQD-2417(ROCA-070E03) | 19,600 [5.7] | 14,600 [4.3] | 5,000 [1.5] | 13.00 | 16.00 | 74 | 600 [283] |
| | RCQD-2417(ROLA-070E03) | 19,600 [5.7] | 14,600 [4.3] | 5,000 [1.5] | 13.00 | 16.00 | 74 | 600 [283] |
| | RCQD-2417+RXMD-C04 | 18,800 [5.5] | 13,800 [4.0] | 5,000 [1.5] | 12.00 | 14.50 | 74 | 650 [307] |
| | RHKL-HM2417(RCSL-H*2417) | 19,400 [5.7] | 14,250 [4.2] | 5,150 [1.5] | 13.00 | 16.00 | 74 | 650 [307] |
| | RHLL-HM2417(RCSL-H*2417) | 19,400 [5.7] | 14,250 [4.2] | 5,150 [1.5] | 13.00 | 16.00 | 74 | 650 [307] |
| | RHSL-HM1817(RCSL-H*2417) | 18,800 [5.5] | 13,650 [4.0] | 5,150 [1.5] | 12.50 | 15.00 | 74 | 600 [283] |
| 018JEZ | RCFL-H*2417+RXMD-C04 ① | 25,000 [7.3] | 18,450 [5.4] | 6,550 [1.9] | 12.00 | 14.50 | 73 | 800 [378] |
| | RHAL-FR24P | 24,000 [7.0] | 18,500 [5.4] | 5,500 [1.6] | 11.50 | 13.50 | 73 | 800 [378] |
| | RHBL-FR24T | 24,000 [7.0] | 18,500 [5.4] | 5,500 [1.6] | 12.50 | 15.00 | 73 | 800 [378] |
| | RCFL-A*2414+RXMD-C04 | 24,800 [7.3] | 18,300 [5.4] | 6,600 [1.9] | 12.00 | 14.50 | 73 | 800 [378] |
| | RCFL-A*2417(RGFE-06?MCK?) | 25,200 [7.4] | 18,550 [5.4] | 6,650 [1.9] | 13.00 | 15.50 | 73 | 800 [378] |
| | RCFL-A*2417(RGFE-07?MCK?) | 25,200 [7.4] | 18,550 [5.4] | 6,650 [1.9] | 13.00 | 15.50 | 73 | 825 [389] |
| | RCFL-A*2417(RGFG-06?MCK?) | 25,400 [7.4] | 18,800 [5.5] | 6,600 [1.9] | 13.00 | 15.50 | 73 | 800 [378] |
| | RCFL-A*2417(RGFG-07?MCK?) | 25,400 [7.4] | 18,700 [5.5] | 6,700 [2.0] | 13.00 | 15.50 | 73 | 800 [378] |
| | RCFL-A*2417(RGGE-06?MCK?) | 25,400 [7.4] | 18,700 [5.5] | 6,700 [2.0] | 13.00 | 16.00 | 73 | 825 [389] |
| | RCFL-A*2417(RGGE-07?MCK?) | 25,200 [7.4] | 18,500 [5.4] | 6,700 [2.0] | 13.00 | 15.50 | 73 | 800 [378] |
| | RCFL-A*2417(RGLE-07?AMK?) | 25,400 [7.4] | 18,700 [5.5] | 6,700 [2.0] | 13.00 | 16.00 | 73 | 800 [378] |
| | RCFL-A*2417(RGLT-07?AMK?) | 25,600 [7.5] | 19,100 [5.6] | 6,500 [1.9] | 13.00 | 16.00 | 73 | 850 [401] |
| | RCFL-A*2417(RGPE-05?BMK?) | 25,200 [7.4] | 18,500 [5.4] | 6,700 [2.0] | 13.00 | 15.50 | 73 | 800 [378] |
| | RCFL-A*2417(RGPE-07?AMK?) | 25,000 [7.3] | 18,100 [5.3] | 6,900 [2.0] | 13.00 | 16.00 | 73 | 725 [342] |
| | RCFL-A*2417(RGPT-05?BMK?) | 25,400 [7.4] | 18,950 [5.6] | 6,450 [1.9] | 13.00 | 15.50 | 73 | 850 [401] |
| | RCFL-A*2417(RGPT-07?AMK?) | 25,600 [7.5] | 19,100 [5.6] | 6,500 [1.9] | 13.00 | 15.50 | 73 | 850 [401] |
| | RCFL-A*2417(RGRM-04?MAE?) | 25,200 [7.4] | 18,600 [5.4] | 6,600 [1.9] | 13.00 | 15.50 | 73 | 800 [378] |
| | RCFL-A*2417(RGRM-06?MAE?) | 25,200 [7.4] | 18,600 [5.4] | 6,600 [1.9] | 13.00 | 15.50 | 73 | 825 [389] |
| | RCFL-A*2417(RGRM-07?MAE?) | 25,400 [7.4] | 18,950 [5.6] | 6,450 [1.9] | 12.50 | 15.10 | 73 | 850 [401] |
| | RCFL-A*2417(RHWB-04WMX36A) | 25,400 [7.4] | 18,800 [5.5] | 6,600 [1.9] | 13.00 | 16.00 | 73 | 825 [389] |
| | RCFL-A*2417(ROCA-070E03) | 25,400 [7.4] | 18,750 [5.5] | 6,650 [1.9] | 13.00 | 16.00 | 73 | 800 [378] |
| | RCFL-A*2417(ROLA-070E03) | 25,400 [7.4] | 18,750 [5.5] | 6,650 [1.9] | 13.00 | 16.00 | 73 | 800 [378] |
| | RCFL-A*2417+RXMD-C04 | 24,800 [7.3] | 18,300 [5.4] | 6,600 [1.9] | 12.00 | 14.50 | 73 | 800 [378] |
| | RCFL-H*2414+RXMD-C04 | 24,800 [7.3] | 18,300 [5.4] | 6,600 [1.9] | 12.00 | 14.50 | 73 | 800 [378] |
| | RCFL-H*2417(RGFE-06?MCK?) | 25,200 [7.4] | 18,550 [5.4] | 6,650 [1.9] | 13.00 | 15.50 | 73 | 800 [378] |
| | RCFL-H*2417(RGFE-07?MCK?) | 25,200 [7.4] | 18,550 [5.4] | 6,650 [1.9] | 13.00 | 15.50 | 73 | 825 [389] |
| | RCFL-H*2417(RGFG-06?MCK?) | 25,400 [7.4] | 18,800 [5.5] | 6,600 [1.9] | 13.00 | 15.50 | 73 | 800 [378] |
| | RCFL-H*2417(RGFG-07?MCK?) | 25,400 [7.4] | 18,700 [5.5] | 6,700 [2.0] | 13.00 | 15.50 | 73 | 800 [378] |
| | RCFL-H*2417(RGGE-06?MCK?) | 25,400 [7.4] | 18,700 [5.5] | 6,700 [2.0] | 13.00 | 16.00 | 73 | 825 [389] |
| | RCFL-H*2417(RGGE-07?MCK?) | 25,200 [7.4] | 18,500 [5.4] | 6,700 [2.0] | 13.00 | 15.50 | 73 | 800 [378] |
| | RCFL-H*2417(RGJF-06?MCK?) | 25,400 [7.4] | 18,700 [5.5] | 6,700 [2.0] | 13.00 | 16.00 | 73 | 825 [389] |
| | RCFL-H*2417(RGJF-07?MCK?) | 25,200 [7.4] | 18,500 [5.4] | 6,700 [2.0] | 13.00 | 15.50 | 73 | 800 [378] |
| | RCFL-H*2417(RGLE-07?AMK?) | 25,400 [7.4] | 18,700 [5.5] | 6,700 [2.0] | 13.00 | 16.00 | 73 | 800 [378] |
| | RCFL-H*2417(RGLT-07?AMK?) | 25,600 [7.5] | 19,100 [5.6] | 6,500 [1.9] | 13.00 | 16.00 | 73 | 850 [401] |

① Highest sales volume tested combination required by D.O.E. test procedures.

[] Designates Metric Conversions



Performance Data @ AHRI Standard Conditions—Cooling

| Model Numbers | | 80°F [26.5°C] DB/67°F [19.5°C] WB Indoor Air 95°F [35°C] DB Outdoor Air | | | | | Sound Rating dB | Indoor CFM [L/s] |
|-----------------------|-----------------------------------|--|----------------------------|--------------------------|-------|-------|--------------------|------------------|
| Outdoor Unit RAPM- | Indoor Coil and/or Air Handler | Total Capacity BTU/H [kW] | Net Sensible BTU/H [kW] | Net Latent BTU/H [kW] | EER | SEER | | |
| Rev. 6/14/12 | RCFL-H*2417(RGPE-05?BMK?) | 25,200 [7.4] | 18,500 [5.4] | 6,700 [2.0] | 13.00 | 15.50 | 73 | 800 [378] |
| | RCFL-H*2417(RGPE-07?AMK?) | 25,000 [7.3] | 18,100 [5.3] | 6,900 [2.0] | 13.00 | 16.00 | 73 | 725 [342] |
| | RCFL-H*2417(RGPT-05?BMK?) | 25,400 [7.4] | 18,950 [5.6] | 6,450 [1.9] | 13.00 | 15.50 | 73 | 850 [401] |
| | RCFL-H*2417(RGPT-07?AMK?) | 25,600 [7.5] | 19,100 [5.6] | 6,500 [1.9] | 13.00 | 15.50 | 73 | 850 [401] |
| | RCFL-H*2417(RGRM-04?MAE?) | 25,200 [7.4] | 18,600 [5.4] | 6,600 [1.9] | 13.00 | 15.50 | 73 | 800 [378] |
| | RCFL-H*2417(RGRM-06?MAE?) | 25,200 [7.4] | 18,600 [5.4] | 6,600 [1.9] | 13.00 | 15.50 | 73 | 825 [389] |
| | RCFL-H*2417(RGRM-07?MAE?) | 25,400 [7.4] | 18,950 [5.6] | 6,450 [1.9] | 12.50 | 15.10 | 73 | 850 [401] |
| | RCFL-H*2417(RGTM-06?MAE?) | 25,200 [7.4] | 18,400 [5.4] | 6,800 [2.0] | 13.00 | 16.00 | 73 | 750 [354] |
| | RCFL-H*2417(RHWP-04WXM36A) | 25,400 [7.4] | 18,800 [5.5] | 6,600 [1.9] | 13.00 | 16.00 | 73 | 825 [389] |
| | RCFL-H*2417(ROCA-070E03) | 25,400 [7.4] | 18,750 [5.5] | 6,650 [1.9] | 13.00 | 16.00 | 73 | 800 [378] |
| | RCFL-H*2417(ROLA-070E03) | 25,400 [7.4] | 18,750 [5.5] | 6,650 [1.9] | 13.00 | 16.00 | 73 | 800 [378] |
| | RCFL-H*2621(RGPT-05?BMK?) | 26,400 [7.7] | 20,300 [5.9] | 6,100 [1.8] | 13.00 | 16.00 | 73 | 900 [425] |
| | RCFL-H*2621(RHWP-04WXM36A) | 26,200 [7.7] | 20,100 [5.9] | 6,100 [1.8] | 13.00 | 16.00 | 73 | 875 [413] |
| | RBHP-17(RCHL-24A2) | 23,200 [6.8] | 16,550 [4.8] | 6,650 [1.9] | 11.50 | 14.00 | 73 | 800 [378] |
| | RCQD-2417(RGFE-06?MCK?) | 24,600 [7.2] | 18,600 [5.4] | 6,000 [1.8] | 12.50 | 15.00 | 73 | 800 [378] |
| | RCQD-2417(RGFE-07?MCK?) | 24,600 [7.2] | 18,600 [5.4] | 6,000 [1.8] | 12.50 | 15.00 | 73 | 825 [389] |
| | RCQD-2417(RGFG-06?MCK?) | 26,000 [7.6] | 19,600 [5.7] | 6,400 [1.9] | 13.00 | 16.00 | 73 | 800 [378] |
| | RCQD-2417(RGFG-07?MCK?) | 26,200 [7.7] | 19,800 [5.8] | 6,400 [1.9] | 13.00 | 16.00 | 73 | 800 [378] |
| | RCQD-2417(RGJF-06?MCK?) | 24,600 [7.2] | 18,550 [5.4] | 6,050 [1.8] | 12.50 | 15.00 | 73 | 825 [389] |
| | RCQD-2417(RGJF-07?MCK?) | 24,600 [7.2] | 18,600 [5.4] | 6,000 [1.8] | 12.50 | 15.00 | 73 | 800 [378] |
| | RCQD-2417(RGPE-05?BMK?) | 24,600 [7.2] | 18,600 [5.4] | 6,000 [1.8] | 12.50 | 15.00 | 73 | 800 [378] |
| | RCQD-2417(RGPE-07?AMK?) | 24,600 [7.2] | 18,600 [5.4] | 6,000 [1.8] | 12.50 | 15.00 | 73 | 825 [389] |
| | RCQD-2417(RGPT-05?BMK?) | 25,000 [7.3] | 19,350 [5.7] | 5,650 [1.7] | 12.50 | 15.00 | 73 | 900 [425] |
| | RCQD-2417(RGRM-04?MAE?) | 25,600 [7.5] | 20,050 [5.9] | 5,550 [1.6] | 13.00 | 15.50 | 73 | 800 [378] |
| | RCQD-2417(RGRM-06?MAE?) | 25,600 [7.5] | 20,050 [5.9] | 5,550 [1.6] | 13.00 | 15.50 | 73 | 825 [389] |
| | RCQD-2417(RGRM-07?MAE?) | 25,800 [7.6] | 20,400 [6.0] | 5,400 [1.6] | 12.50 | 15.00 | 73 | 850 [401] |
| | RCQD-2417(RHWP-04WXM36A) | 26,600 [7.8] | 20,600 [6.0] | 6,000 [1.8] | 13.00 | 16.00 | 73 | 875 [413] |
| | RCQD-2417(ROCA-070E03) | 24,600 [7.2] | 18,600 [5.4] | 6,000 [1.8] | 12.50 | 15.10 | 73 | 800 [378] |
| | RCQD-2417(ROLA-070E03) | 24,600 [7.2] | 18,650 [5.5] | 5,950 [1.7] | 12.50 | 15.10 | 73 | 800 [378] |
| | RCQD-2417+RXMD-C04 | 24,800 [7.3] | 18,750 [5.5] | 6,050 [1.8] | 11.50 | 14.00 | 73 | 800 [378] |
| | RHKL-HM2417(RCSL-H*2417) | 25,600 [7.5] | 19,100 [5.6] | 6,500 [1.9] | 13.00 | 16.00 | 73 | 850 [401] |
| | RHLL-HM2417(RCSL-H*2417) | 25,600 [7.5] | 18,900 [5.5] | 6,700 [2.0] | 13.00 | 16.00 | 73 | 775 [366] |
| | RHSL-HM2417(RCSL-H*2417) | 25,000 [7.3] | 18,450 [5.4] | 6,550 [1.9] | 12.00 | 14.50 | 73 | 800 [378] |
| 030JEZ | RCFL-H*3617+RXMD-C04 ① | 29,000 [8.5] | 20,950 [6.1] | 8,050 [2.4] | 12.00 | 14.50 | 73 | 1,000 [472] |
| | RCFL-A*3617(RGFE-06?MCK?) | 29,200 [8.6] | 21,100 [6.2] | 8,100 [2.4] | 13.00 | 15.00 | 73 | 1,000 [472] |
| | RCFL-A*3617(RGFE-07?MCK?) | 29,200 [8.6] | 21,150 [6.2] | 8,050 [2.4] | 12.50 | 14.50 | 73 | 1,025 [484] |
| | RCFL-A*3617(RGFG-06?MCK?) | 28,800 [8.4] | 20,200 [5.9] | 8,600 [2.5] | 13.00 | 15.50 | 73 | 875 [413] |
| | RCFL-A*3617(RGFG-07?MCK?) | 28,800 [8.4] | 20,200 [5.9] | 8,600 [2.5] | 13.00 | 15.50 | 73 | 850 [401] |
| | RCFL-A*3617(RGGE-06?MCK?) | 29,400 [8.6] | 21,300 [6.2] | 8,100 [2.4] | 12.50 | 15.10 | 73 | 1,025 [484] |
| | RCFL-A*3617(RGGE-07?MCK?) | 29,400 [8.6] | 21,300 [6.2] | 8,100 [2.4] | 12.50 | 15.10 | 73 | 1,025 [484] |
| | RCFL-A*3617(RGLE-07?AMK?) | 29,400 [8.6] | 21,300 [6.2] | 8,100 [2.4] | 13.00 | 15.50 | 73 | 1,025 [484] |
| | RCFL-A*3617(RGLT-07?AMK?) | 29,000 [8.5] | 20,350 [6.0] | 8,650 [2.5] | 13.00 | 16.00 | 73 | 875 [413] |
| | RCFL-A*3617(RGPE-05?BMK?) | 29,400 [8.6] | 21,300 [6.2] | 8,100 [2.4] | 12.50 | 15.10 | 73 | 975 [460] |
| | RCFL-A*3617(RGPE-07?AMK?) | 29,400 [8.6] | 21,300 [6.2] | 8,100 [2.4] | 12.50 | 15.10 | 73 | 1,000 [472] |
| | RCFL-A*3617(RGPT-05?BMK?) | 28,800 [8.4] | 20,100 [5.9] | 8,700 [2.5] | 13.00 | 15.50 | 73 | 850 [401] |
| | RCFL-A*3617(RGPT-07?AMK?) | 29,000 [8.5] | 20,350 [6.0] | 8,650 [2.5] | 13.00 | 15.50 | 73 | 875 [413] |
| | RCFL-A*3617(RGRM-04?MAE?) | 29,200 [8.6] | 21,100 [6.2] | 8,100 [2.4] | 12.00 | 14.50 | 73 | 1,025 [484] |
| | RCFL-A*3617(RGRM-06?MAE?) | 28,800 [8.4] | 20,000 [5.9] | 8,800 [2.6] | 13.00 | 15.50 | 73 | 825 [389] |

① Highest sales volume tested combination required by D.O.E. test procedures.

[] Designates Metric Conversions

Performance Data @ AHRI Standard Conditions—Cooling

| Model Numbers | | 80°F [26.5°C] DB/67°F [19.5°C] WB Indoor Air 95°F [35°C] DB Outdoor Air | | | | | Sound Rating dB | Indoor CFM [L/s] |
|----------------------------|-----------------------------------|--|----------------------------|--------------------------|-------|-------|--------------------|---------------------|
| Outdoor Unit RAPM- | Indoor Coil and/or Air Handler | Total Capacity BTU/H [kW] | Net Sensible BTU/H [kW] | Net Latent BTU/H [kW] | EER | SEER | | |
| Rev. 6/14/12 | RCFL-A*3617(RGRM-07?MAE?) | 28,800 [8.4] | 20,100 [5.9] | 8,700 [2.5] | 12.50 | 15.10 | 73 | 850 [401] |
| | RCFL-A*3617(RGTM-06?MAE?) | 29,000 [8.5] | 20,450 [6.0] | 8,550 [2.5] | 13.00 | 15.50 | 73 | 900 [425] |
| | RCFL-A*3617(RHWB-04WMX36A) | 29,600 [8.7] | 21,600 [6.3] | 8,000 [2.3] | 13.00 | 15.50 | 73 | 1,025 [484] |
| | RCFL-A*3617(RHWB-06WMX48A) | 29,400 [8.6] | 21,200 [6.2] | 8,200 [2.4] | 13.00 | 15.50 | 73 | 950 [448] |
| | RCFL-A*3617(ROCA-070E03) | 29,600 [8.7] | 21,400 [6.3] | 8,200 [2.4] | 13.00 | 15.50 | 73 | 1,000 [472] |
| | RCFL-A*3617(ROCA-070E04) | 29,600 [8.7] | 21,400 [6.3] | 8,200 [2.4] | 13.00 | 15.50 | 73 | 1,000 [472] |
| | RCFL-A*3617(ROLA-070E03) | 29,600 [8.7] | 21,400 [6.3] | 8,200 [2.4] | 13.00 | 15.50 | 73 | 975 [460] |
| | RCFL-A*3617(ROLA-070E04) | 29,600 [8.7] | 21,400 [6.3] | 8,200 [2.4] | 13.00 | 15.50 | 73 | 1,025 [484] |
| | RCFL-A*3617+RXMD-C04 | 29,000 [8.5] | 21,000 [6.2] | 8,000 [2.3] | 12.00 | 14.50 | 73 | 1,000 [472] |
| | RCFL-A*3621(RGFE-06?MCK?) | 29,400 [8.6] | 21,300 [6.2] | 8,100 [2.4] | 12.50 | 15.10 | 73 | 1,000 [472] |
| | RCFL-A*3621(RGFE-07?MCK?) | 29,200 [8.6] | 21,150 [6.2] | 8,050 [2.4] | 13.00 | 15.00 | 73 | 1,025 [484] |
| | RCFL-A*3621(RGFE-09?ZCM?) | 29,600 [8.7] | 21,450 [6.3] | 8,150 [2.4] | 13.00 | 15.50 | 73 | 975 [460] |
| | RCFL-A*3621(RGFE-10?ZCM?) | 29,600 [8.7] | 21,450 [6.3] | 8,150 [2.4] | 13.00 | 15.50 | 73 | 1,000 [472] |
| | RCFL-A*3621(RGFG-06?MCK?) | 28,800 [8.4] | 20,200 [5.9] | 8,600 [2.5] | 13.00 | 15.50 | 73 | 875 [413] |
| | RCFL-A*3621(RGFG-07?MCK?) | 29,000 [8.5] | 20,200 [5.9] | 8,800 [2.6] | 13.00 | 15.50 | 73 | 850 [401] |
| | RCFL-A*3621(RGFG-09?ZCM?) | 29,000 [8.5] | 20,400 [6.0] | 8,600 [2.5] | 13.00 | 16.00 | 73 | 875 [413] |
| | RCFL-A*3621(RGFG-10?ZCM?) | 29,200 [8.6] | 20,600 [6.0] | 8,600 [2.5] | 13.00 | 15.50 | 73 | 900 [425] |
| | RCFL-A*3621(RGGE-06?MCK?) | 29,400 [8.6] | 21,300 [6.2] | 8,100 [2.4] | 12.50 | 15.10 | 73 | 1,025 [484] |
| | RCFL-A*3621(RGGE-07?MCK?) | 29,400 [8.6] | 21,300 [6.2] | 8,100 [2.4] | 12.50 | 15.10 | 73 | 1,025 [484] |
| | RCFL-A*3621(RGGE-09?ZCM?) | 29,600 [8.7] | 21,450 [6.3] | 8,150 [2.4] | 13.00 | 15.50 | 73 | 1,000 [472] |
| | RCFL-A*3621(RGGE-10?ZCM?) | 29,600 [8.7] | 21,450 [6.3] | 8,150 [2.4] | 13.00 | 15.50 | 73 | 1,000 [472] |
| | RCFL-A*3621(RGLE-07?AMK?) | 29,400 [8.6] | 21,250 [6.2] | 8,150 [2.4] | 13.00 | 15.50 | 73 | 1,025 [484] |
| | RCFL-A*3621(RGLE-07?BRQ?) | 29,400 [8.6] | 20,900 [6.1] | 8,500 [2.5] | 13.00 | 16.00 | 73 | 925 [437] |
| | RCFL-A*3621(RGLE-10?BRM?) | 29,800 [8.7] | 21,800 [6.4] | 8,000 [2.3] | 13.00 | 16.00 | 73 | 1,050 [495] |
| | RCFL-A*3621(RGLT-07?AMK?) | 29,200 [8.6] | 20,500 [6.0] | 8,700 [2.5] | 13.00 | 16.00 | 73 | 875 [413] |
| | RCFL-A*3621(RGLT-07?BRQ?) | 29,800 [8.7] | 21,550 [6.3] | 8,250 [2.4] | 13.00 | 16.00 | 73 | 975 [460] |
| | RCFL-A*3621(RGLT-10?BRM?) | 29,800 [8.7] | 21,550 [6.3] | 8,250 [2.4] | 13.00 | 16.00 | 73 | 975 [460] |
| | RCFL-A*3621(RGPE-05?BMK?) | 29,400 [8.6] | 21,300 [6.2] | 8,100 [2.4] | 12.50 | 15.10 | 73 | 975 [460] |
| | RCFL-A*3621(RGPE-07?AMK?) | 29,400 [8.6] | 21,250 [6.2] | 8,150 [2.4] | 13.00 | 15.50 | 73 | 1,000 [472] |
| | RCFL-A*3621(RGPE-07?BRQ?) | 29,600 [8.7] | 21,450 [6.3] | 8,150 [2.4] | 13.00 | 16.00 | 73 | 1,025 [484] |
| | RCFL-A*3621(RGPE-10?BRM?) | 30,000 [8.8] | 22,100 [6.5] | 7,900 [2.3] | 13.00 | 16.00 | 73 | 1,075 [507] |
| | RCFL-A*3621(RGPT-05?BMK?) | 29,000 [8.5] | 20,350 [6.0] | 8,650 [2.5] | 13.00 | 15.50 | 73 | 875 [413] |
| | RCFL-A*3621(RGPT-07?AMK?) | 29,000 [8.5] | 20,500 [6.0] | 8,500 [2.5] | 13.00 | 15.50 | 73 | 875 [413] |
| | RCFL-A*3621(RGPT-07?BRQ?) | 29,800 [8.7] | 21,800 [6.4] | 8,000 [2.3] | 13.00 | 16.00 | 73 | 975 [460] |
| | RCFL-A*3621(RGPT-10?BRM?) | 29,800 [8.7] | 21,550 [6.3] | 8,250 [2.4] | 13.00 | 16.00 | 73 | 975 [460] |
| | RCFL-A*3621(RGRM-04?MAE?) | 29,200 [8.6] | 21,100 [6.2] | 8,100 [2.4] | 12.00 | 14.50 | 73 | 1,025 [484] |
| | RCFL-A*3621(RGRM-06?MAE?) | 28,800 [8.4] | 20,000 [5.9] | 8,800 [2.6] | 13.00 | 15.50 | 73 | 825 [389] |
| | RCFL-A*3621(RGRM-07?MAE?) | 28,800 [8.4] | 20,100 [5.9] | 8,700 [2.5] | 12.50 | 15.10 | 73 | 850 [401] |
| | RCFL-A*3621(RGRM-07?YBG?) | 29,200 [8.6] | 21,100 [6.2] | 8,100 [2.4] | 12.00 | 14.50 | 73 | 975 [460] |
| | RCFL-A*3621(RGRM-09?ZAJ?) | 29,200 [8.6] | 20,900 [6.1] | 8,300 [2.4] | 13.00 | 15.50 | 73 | 950 [448] |
| | RCFL-A*3621(RGRM-10?ZAJ?) | 29,400 [8.6] | 21,300 [6.2] | 8,100 [2.4] | 12.50 | 15.10 | 73 | 1,025 [484] |
| | RCFL-A*3621(RGTM-06?MAE?) | 29,000 [8.5] | 20,450 [6.0] | 8,550 [2.5] | 13.00 | 15.50 | 73 | 900 [425] |
| RCFL-A*3621(RGTM-07?RBG?) | 29,400 [8.6] | 21,000 [6.2] | 8,400 [2.5] | 13.00 | 15.50 | 73 | 950 [448] | |
| RCFL-A*3621(RGTM-09?ZAJ?) | 29,600 [8.7] | 21,400 [6.3] | 8,200 [2.4] | 13.00 | 16.00 | 73 | 975 [460] | |
| RCFL-A*3621(RHWB-04WMX36A) | 29,600 [8.7] | 21,600 [6.3] | 8,000 [2.3] | 13.00 | 15.50 | 73 | 1,025 [484] | |
| RCFL-A*3621(RHWB-06WMX48A) | 29,600 [8.7] | 21,600 [6.3] | 8,000 [2.3] | 13.00 | 15.50 | 73 | 975 [460] | |
| RCFL-A*3621(ROCA-070E03) | 29,600 [8.7] | 21,400 [6.3] | 8,200 [2.4] | 13.00 | 15.50 | 73 | 1,000 [472] | |
| RCFL-A*3621(ROCA-070E04) | 29,600 [8.7] | 21,400 [6.3] | 8,200 [2.4] | 13.00 | 15.50 | 73 | 1,000 [472] | |

① Highest sales volume tested combination required by D.O.E. test procedures.

[] Designates Metric Conversions

Performance Data @ AHRI Standard Conditions—Cooling

| Model Numbers | | 80°F [26.5°C] DB/67°F [19.5°C] WB Indoor Air 95°F [35°C] DB Outdoor Air | | | | | Sound Rating dB | Indoor CFM [L/s] |
|---------------------------|-----------------------------------|--|----------------------------|--------------------------|-------|-------|--------------------|------------------|
| Outdoor Unit RAPM- | Indoor Coil and/or Air Handler | Total Capacity BTU/H [kW] | Net Sensible BTU/H [kW] | Net Latent BTU/H [kW] | EER | SEER | | |
| Rev. 6/14/12 | RCFL-A*3621(ROLA-070E03) | 29,200 [8.6] | 20,600 [6.0] | 8,600 [2.5] | 13.00 | 16.00 | 73 | 900 [425] |
| | RCFL-A*3621(ROLA-070E04) | 29,200 [8.6] | 20,600 [6.0] | 8,600 [2.5] | 13.00 | 16.00 | 73 | 900 [425] |
| | RCFL-A*3621(ROLA-115E05) | 29,200 [8.6] | 20,600 [6.0] | 8,600 [2.5] | 13.00 | 16.00 | 73 | 900 [425] |
| | RCFL-A*3621+RXMD-C04 | 29,000 [8.5] | 21,000 [6.2] | 8,000 [2.3] | 12.00 | 14.50 | 73 | 1,000 [472] |
| | RCFL-A*3821(RGFG-06?MCK?) | 29,800 [8.7] | 21,350 [6.3] | 8,450 [2.5] | 13.00 | 15.50 | 73 | 875 [413] |
| | RCFL-A*3821(RGFG-07?MCK?) | 29,800 [8.7] | 21,200 [6.2] | 8,600 [2.5] | 13.00 | 16.00 | 73 | 850 [401] |
| | RCFL-A*3821(RGFG-09?ZCM?) | 30,000 [8.8] | 21,500 [6.3] | 8,500 [2.5] | 13.00 | 16.00 | 73 | 875 [413] |
| | RCFL-A*3821(RGFG-10?ZCM?) | 30,200 [8.8] | 21,800 [6.4] | 8,400 [2.5] | 13.00 | 16.00 | 73 | 900 [425] |
| | RCFL-A*3821(RGLT-07?AMK?) | 30,000 [8.8] | 21,750 [6.4] | 8,250 [2.4] | 13.00 | 16.00 | 73 | 925 [437] |
| | RCFL-A*3821(RGLT-07?BRQ?) | 30,600 [9.0] | 22,700 [6.7] | 7,900 [2.3] | 13.00 | 16.00 | 73 | 1,025 [484] |
| | RCFL-A*3821(RGLT-10?BRM?) | 30,600 [9.0] | 22,700 [6.7] | 7,900 [2.3] | 13.00 | 16.00 | 73 | 1,025 [484] |
| | RCFL-A*3821(RGPT-05?BMK?) | 29,800 [8.7] | 21,450 [6.3] | 8,350 [2.4] | 13.00 | 15.50 | 73 | 900 [425] |
| | RCFL-A*3821(RGPT-07?AMK?) | 30,000 [8.8] | 21,750 [6.4] | 8,250 [2.4] | 13.00 | 16.00 | 73 | 925 [437] |
| | RCFL-A*3821(RGPT-07?BRQ?) | 30,600 [9.0] | 22,700 [6.7] | 7,900 [2.3] | 13.00 | 16.00 | 73 | 1,025 [484] |
| | RCFL-A*3821(RGPT-10?BRM?) | 30,600 [9.0] | 22,700 [6.7] | 7,900 [2.3] | 13.00 | 16.00 | 73 | 1,025 [484] |
| | RCFL-A*3821(RHWB-04WMX36A) | 31,000 [9.1] | 23,400 [6.9] | 7,600 [2.2] | 13.00 | 16.00 | 73 | 1,075 [507] |
| | RCFL-A*3821(RHWB-06WMX48A) | 30,600 [9.0] | 22,800 [6.7] | 7,800 [2.3] | 13.00 | 16.00 | 73 | 1,000 [472] |
| | RCFL-A*3821(ROCA-070E03) | 30,200 [8.8] | 22,200 [6.5] | 8,000 [2.3] | 13.00 | 15.50 | 73 | 1,000 [472] |
| | RCFL-A*3821(ROCA-070E04) | 30,200 [8.8] | 22,200 [6.5] | 8,000 [2.3] | 13.00 | 15.50 | 73 | 1,000 [472] |
| | RCFL-A*3821(ROLA-070E03) | 30,200 [8.8] | 22,200 [6.5] | 8,000 [2.3] | 13.00 | 16.00 | 73 | 975 [460] |
| | RCFL-A*3821(ROLA-070E04) | 30,400 [8.9] | 22,550 [6.6] | 7,850 [2.3] | 13.00 | 16.00 | 73 | 1,025 [484] |
| | RCFL-A*3821(ROLA-115E05) | 30,600 [9.0] | 22,800 [6.7] | 7,800 [2.3] | 13.00 | 16.00 | 73 | 1,050 [495] |
| | RCFL-A*3824(RGFG-09?ZCM?) | 30,000 [8.8] | 21,500 [6.3] | 8,500 [2.5] | 13.00 | 16.00 | 73 | 875 [413] |
| | RCFL-A*3824(RGFG-10?ZCM?) | 30,000 [8.8] | 21,600 [6.3] | 8,400 [2.5] | 13.00 | 16.00 | 73 | 900 [425] |
| | RCFL-A*3824(RGFG-12?RCM?) | 30,000 [8.8] | 21,450 [6.3] | 8,550 [2.5] | 13.00 | 16.00 | 73 | 875 [413] |
| | RCFL-A*3824(RGLT-07?BRQ?) | 30,600 [9.0] | 22,700 [6.7] | 7,900 [2.3] | 13.00 | 16.00 | 73 | 1,025 [484] |
| | RCFL-A*3824(RGLT-10?BRM?) | 30,600 [9.0] | 22,700 [6.7] | 7,900 [2.3] | 13.00 | 16.00 | 73 | 1,025 [484] |
| | RCFL-A*3824(RGLT-12?ARM?) | 30,400 [8.9] | 22,350 [6.5] | 8,050 [2.4] | 13.00 | 16.00 | 73 | 975 [460] |
| | RCFL-A*3824(RGPT-07?BRQ?) | 30,600 [9.0] | 22,700 [6.7] | 7,900 [2.3] | 13.00 | 16.00 | 73 | 1,025 [484] |
| | RCFL-A*3824(RGPT-10?BRM?) | 30,600 [9.0] | 22,700 [6.7] | 7,900 [2.3] | 13.00 | 16.00 | 73 | 1,025 [484] |
| | RCFL-A*3824(RGPT-12?ARM?) | 30,400 [8.9] | 22,350 [6.5] | 8,050 [2.4] | 13.00 | 16.00 | 73 | 975 [460] |
| | RCFL-A*3824(ROCA-070E03) | 30,200 [8.8] | 22,200 [6.5] | 8,000 [2.3] | 13.00 | 15.50 | 73 | 1,000 [472] |
| | RCFL-A*3824(ROCA-070E04) | 30,200 [8.8] | 22,200 [6.5] | 8,000 [2.3] | 13.00 | 15.50 | 73 | 1,000 [472] |
| | RCFL-A*3824(ROLA-070E03) | 30,200 [8.8] | 22,200 [6.5] | 8,000 [2.3] | 13.00 | 16.00 | 73 | 975 [460] |
| | RCFL-A*3824(ROLA-070E04) | 30,200 [8.8] | 22,200 [6.5] | 8,000 [2.3] | 13.00 | 16.00 | 73 | 975 [460] |
| | RCFL-A*3824(ROLA-115E05) | 29,800 [8.7] | 21,450 [6.3] | 8,350 [2.4] | 13.00 | 16.00 | 73 | 900 [425] |
| | RCFL-H*3617(RGFE-06?MCK?) | 29,200 [8.6] | 21,100 [6.2] | 8,100 [2.4] | 12.50 | 15.00 | 73 | 1,000 [472] |
| | RCFL-H*3617(RGFE-07?MCK?) | 29,200 [8.6] | 21,150 [6.2] | 8,050 [2.4] | 12.50 | 14.50 | 73 | 1,025 [484] |
| | RCFL-H*3617(RGFG-06?MCK?) | 28,800 [8.4] | 20,200 [5.9] | 8,600 [2.5] | 13.00 | 15.50 | 73 | 875 [413] |
| | RCFL-H*3617(RGFG-07?MCK?) | 28,800 [8.4] | 20,200 [5.9] | 8,600 [2.5] | 13.00 | 15.50 | 73 | 850 [401] |
| | RCFL-H*3617(RGGE-06?MCK?) | 29,400 [8.6] | 21,300 [6.2] | 8,100 [2.4] | 12.50 | 15.10 | 73 | 1,025 [484] |
| | RCFL-H*3617(RGGE-07?MCK?) | 29,400 [8.6] | 21,300 [6.2] | 8,100 [2.4] | 12.50 | 15.10 | 73 | 1,025 [484] |
| | RCFL-H*3617(RGJF-06?MCK?) | 29,400 [8.6] | 21,300 [6.2] | 8,100 [2.4] | 12.50 | 15.10 | 73 | 1,025 [484] |
| | RCFL-H*3617(RGJF-07?MCK?) | 29,400 [8.6] | 21,300 [6.2] | 8,100 [2.4] | 12.50 | 15.10 | 73 | 1,025 [484] |
| | RCFL-H*3617(RGLE-07?AMK?) | 29,400 [8.6] | 21,300 [6.2] | 8,100 [2.4] | 13.00 | 15.50 | 73 | 1,025 [484] |
| RCFL-H*3617(RGLT-07?AMK?) | 29,000 [8.5] | 20,350 [6.0] | 8,650 [2.5] | 13.00 | 16.00 | 73 | 875 [413] | |
| RCFL-H*3617(RGPE-05?BMK?) | 29,400 [8.6] | 21,300 [6.2] | 8,100 [2.4] | 12.50 | 15.10 | 73 | 975 [460] | |
| RCFL-H*3617(RGPE-07?AMK?) | 29,400 [8.6] | 21,300 [6.2] | 8,100 [2.4] | 12.50 | 15.10 | 73 | 1,000 [472] | |

① Highest sales volume tested combination required by D.O.E. test procedures.

[] Designates Metric Conversions

Performance Data @ AHRI Standard Conditions—Cooling

| Model Numbers | | 80°F [26.5°C] DB/67°F [19.5°C] WB Indoor Air 95°F [35°C] DB Outdoor Air | | | | | Sound Rating dB | Indoor CFM [L/s] |
|---------------------------|-----------------------------------|--|----------------------------|--------------------------|-------|-------|--------------------|---------------------|
| Outdoor Unit RAPM- | Indoor Coil and/or Air Handler | Total Capacity BTU/H [kW] | Net Sensible BTU/H [kW] | Net Latent BTU/H [kW] | EER | SEER | | |
| Rev. 6/14/12 | RCFL-H*3617(RGPT-05?BMK?) | 28,800 [8.4] | 20,100 [5.9] | 8,700 [2.5] | 13.00 | 15.50 | 73 | 850 [401] |
| | RCFL-H*3617(RGPT-07?AMK?) | 29,000 [8.5] | 20,350 [6.0] | 8,650 [2.5] | 13.00 | 15.50 | 73 | 875 [413] |
| | RCFL-H*3617(RGRM-04?MAE?) | 29,200 [8.6] | 21,100 [6.2] | 8,100 [2.4] | 12.00 | 14.50 | 73 | 1,025 [484] |
| | RCFL-H*3617(RGRM-06?MAE?) | 28,800 [8.4] | 20,000 [5.9] | 8,800 [2.6] | 13.00 | 15.50 | 73 | 825 [389] |
| | RCFL-H*3617(RGRM-07?MAE?) | 28,800 [8.4] | 20,100 [5.9] | 8,700 [2.5] | 12.50 | 15.10 | 73 | 850 [401] |
| | RCFL-H*3617(RGTM-06?MAE?) | 29,000 [8.5] | 20,450 [6.0] | 8,550 [2.5] | 13.00 | 15.50 | 73 | 900 [425] |
| | RCFL-H*3617(RHWB-04WMX36A) | 29,600 [8.7] | 21,600 [6.3] | 8,000 [2.3] | 13.00 | 15.50 | 73 | 1,025 [484] |
| | RCFL-H*3617(RHWB-06WMX48A) | 29,400 [8.6] | 21,200 [6.2] | 8,200 [2.4] | 13.00 | 15.50 | 73 | 950 [448] |
| | RCFL-H*3617(ROCA-070E03) | 29,600 [8.7] | 21,400 [6.3] | 8,200 [2.4] | 13.00 | 15.50 | 73 | 1,000 [472] |
| | RCFL-H*3617(ROCA-070E04) | 29,600 [8.7] | 21,400 [6.3] | 8,200 [2.4] | 13.00 | 15.50 | 73 | 1,000 [472] |
| | RCFL-H*3617(ROLA-070E03) | 29,600 [8.7] | 21,400 [6.3] | 8,200 [2.4] | 13.00 | 15.50 | 73 | 975 [460] |
| | RCFL-H*3617(ROLA-070E04) | 29,600 [8.7] | 21,400 [6.3] | 8,200 [2.4] | 13.00 | 15.50 | 73 | 1,025 [484] |
| | RCFL-H*3621(RGFE-06?MCK?) | 29,400 [8.6] | 21,300 [6.2] | 8,100 [2.4] | 12.50 | 15.10 | 73 | 1,000 [472] |
| | RCFL-H*3621(RGFE-07?MCK?) | 29,200 [8.6] | 21,150 [6.2] | 8,050 [2.4] | 13.00 | 15.00 | 73 | 1,025 [484] |
| | RCFL-H*3621(RGFE-09?ZCM?) | 29,600 [8.7] | 21,450 [6.3] | 8,150 [2.4] | 13.00 | 15.50 | 73 | 975 [460] |
| | RCFL-H*3621(RGFE-10?ZCM?) | 29,600 [8.7] | 21,450 [6.3] | 8,150 [2.4] | 13.00 | 15.50 | 73 | 1,000 [472] |
| | RCFL-H*3621(RGFG-06?MCK?) | 28,800 [8.4] | 20,200 [5.9] | 8,600 [2.5] | 13.00 | 15.50 | 73 | 875 [413] |
| | RCFL-H*3621(RGFG-07?MCK?) | 29,000 [8.5] | 20,200 [5.9] | 8,800 [2.6] | 13.00 | 15.50 | 73 | 850 [401] |
| | RCFL-H*3621(RGFG-09?ZCM?) | 29,000 [8.5] | 20,400 [6.0] | 8,600 [2.5] | 13.00 | 16.00 | 73 | 875 [413] |
| | RCFL-H*3621(RGFG-10?ZCM?) | 29,200 [8.6] | 20,600 [6.0] | 8,600 [2.5] | 13.00 | 15.50 | 73 | 900 [425] |
| | RCFL-H*3621(RGGE-06?MCK?) | 29,400 [8.6] | 21,300 [6.2] | 8,100 [2.4] | 12.50 | 15.10 | 73 | 1,025 [484] |
| | RCFL-H*3621(RGGE-07?MCK?) | 29,400 [8.6] | 21,300 [6.2] | 8,100 [2.4] | 12.50 | 15.10 | 73 | 1,025 [484] |
| | RCFL-H*3621(RGGE-09?ZCM?) | 29,600 [8.7] | 21,450 [6.3] | 8,150 [2.4] | 13.00 | 15.50 | 73 | 1,000 [472] |
| | RCFL-H*3621(RGGE-10?ZCM?) | 29,600 [8.7] | 21,450 [6.3] | 8,150 [2.4] | 13.00 | 15.50 | 73 | 1,000 [472] |
| | RCFL-H*3621(RGJF-06?MCK?) | 29,400 [8.6] | 21,300 [6.2] | 8,100 [2.4] | 12.50 | 15.10 | 73 | 1,025 [484] |
| | RCFL-H*3621(RGJF-07?MCK?) | 29,400 [8.6] | 21,300 [6.2] | 8,100 [2.4] | 12.50 | 15.10 | 73 | 1,025 [484] |
| | RCFL-H*3621(RGJF-09?ZCM?) | 29,600 [8.7] | 21,450 [6.3] | 8,150 [2.4] | 13.00 | 15.50 | 73 | 1,000 [472] |
| | RCFL-H*3621(RGJF-10?ZCM?) | 29,600 [8.7] | 21,450 [6.3] | 8,150 [2.4] | 13.00 | 15.50 | 73 | 1,000 [472] |
| | RCFL-H*3621(RGLE-07?AMK?) | 29,400 [8.6] | 21,250 [6.2] | 8,150 [2.4] | 13.00 | 15.50 | 73 | 1,025 [484] |
| | RCFL-H*3621(RGLE-07?BRQ?) | 29,400 [8.6] | 20,900 [6.1] | 8,500 [2.5] | 13.00 | 16.00 | 73 | 925 [437] |
| | RCFL-H*3621(RGLE-10?BRM?) | 29,800 [8.7] | 21,800 [6.4] | 8,000 [2.3] | 13.00 | 16.00 | 73 | 1,050 [495] |
| | RCFL-H*3621(RGLT-07?AMK?) | 29,200 [8.6] | 20,500 [6.0] | 8,700 [2.5] | 13.00 | 16.00 | 73 | 875 [413] |
| | RCFL-H*3621(RGLT-07?BRQ?) | 29,800 [8.7] | 21,550 [6.3] | 8,250 [2.4] | 13.00 | 16.00 | 73 | 975 [460] |
| | RCFL-H*3621(RGLT-10?BRM?) | 29,800 [8.7] | 21,550 [6.3] | 8,250 [2.4] | 13.00 | 16.00 | 73 | 975 [460] |
| RCFL-H*3621(RGPE-05?BMK?) | 29,400 [8.6] | 21,300 [6.2] | 8,100 [2.4] | 12.50 | 15.10 | 73 | 975 [460] | |
| RCFL-H*3621(RGPE-07?AMK?) | 29,400 [8.6] | 21,250 [6.2] | 8,150 [2.4] | 13.00 | 15.50 | 73 | 1,000 [472] | |
| RCFL-H*3621(RGPE-07?BRQ?) | 29,600 [8.7] | 21,450 [6.3] | 8,150 [2.4] | 13.00 | 16.00 | 73 | 1,025 [484] | |
| RCFL-H*3621(RGPE-10?BRM?) | 30,000 [8.8] | 22,100 [6.5] | 7,900 [2.3] | 13.00 | 16.00 | 73 | 1,075 [507] | |
| RCFL-H*3621(RGPT-05?BMK?) | 29,000 [8.5] | 20,350 [6.0] | 8,650 [2.5] | 13.00 | 15.50 | 73 | 875 [413] | |
| RCFL-H*3621(RGPT-07?AMK?) | 29,000 [8.5] | 20,500 [6.0] | 8,500 [2.5] | 13.00 | 15.50 | 73 | 875 [413] | |
| RCFL-H*3621(RGPT-07?BRQ?) | 29,800 [8.7] | 21,800 [6.4] | 8,000 [2.3] | 13.00 | 16.00 | 73 | 975 [460] | |
| RCFL-H*3621(RGPT-10?BRM?) | 29,800 [8.7] | 21,550 [6.3] | 8,250 [2.4] | 13.00 | 16.00 | 73 | 975 [460] | |
| RCFL-H*3621(RGRM-04?MAE?) | 29,200 [8.6] | 21,100 [6.2] | 8,100 [2.4] | 12.00 | 14.50 | 73 | 1,025 [484] | |
| RCFL-H*3621(RGRM-06?MAE?) | 28,800 [8.4] | 20,000 [5.9] | 8,800 [2.6] | 13.00 | 15.50 | 73 | 825 [389] | |
| RCFL-H*3621(RGRM-07?MAE?) | 28,800 [8.4] | 20,100 [5.9] | 8,700 [2.5] | 12.50 | 15.10 | 73 | 850 [401] | |
| RCFL-H*3621(RGRM-07?YBG?) | 29,200 [8.6] | 21,100 [6.2] | 8,100 [2.4] | 12.00 | 14.50 | 73 | 975 [460] | |
| RCFL-H*3621(RGRM-09?ZAJ?) | 29,200 [8.6] | 20,900 [6.1] | 8,300 [2.4] | 13.00 | 15.50 | 73 | 950 [448] | |
| RCFL-H*3621(RGRM-10?ZAJ?) | 29,400 [8.6] | 21,300 [6.2] | 8,100 [2.4] | 12.50 | 15.10 | 73 | 1,025 [484] | |

① Highest sales volume tested combination required by D.O.E. test procedures.

[] Designates Metric Conversions

Performance Data @ AHRI Standard Conditions—Cooling

| Model Numbers | | 80°F [26.5°C] DB/67°F [19.5°C] WB Indoor Air 95°F [35°C] DB Outdoor Air | | | | | Sound Rating dB | Indoor CFM [L/s] |
|---------------------------|-----------------------------------|--|----------------------------|--------------------------|-------|-------|--------------------|------------------|
| Outdoor Unit RAPM- | Indoor Coil and/or Air Handler | Total Capacity BTU/H [kW] | Net Sensible BTU/H [kW] | Net Latent BTU/H [kW] | EER | SEER | | |
| Rev. 6/14/12 | RCFL-H*3621(RGTM-06?MAE?) | 29,000 [8.5] | 20,450 [6.0] | 8,550 [2.5] | 13.00 | 15.50 | 73 | 900 [425] |
| | RCFL-H*3621(RGTM-07?RBG?) | 29,400 [8.6] | 21,000 [6.2] | 8,400 [2.5] | 13.00 | 15.50 | 73 | 950 [448] |
| | RCFL-H*3621(RGTM-09?ZAJ?) | 29,600 [8.7] | 21,400 [6.3] | 8,200 [2.4] | 13.00 | 16.00 | 73 | 975 [460] |
| | RCFL-H*3621(RHWB-04WMX36A) | 29,600 [8.7] | 21,600 [6.3] | 8,000 [2.3] | 13.00 | 15.50 | 73 | 1,025 [484] |
| | RCFL-H*3621(RHWB-06WMX48A) | 29,600 [8.7] | 21,600 [6.3] | 8,000 [2.3] | 13.00 | 15.50 | 73 | 975 [460] |
| | RCFL-H*3621(ROCA-070E03) | 29,600 [8.7] | 21,400 [6.3] | 8,200 [2.4] | 13.00 | 15.50 | 73 | 1,000 [472] |
| | RCFL-H*3621(ROCA-070E04) | 29,600 [8.7] | 21,400 [6.3] | 8,200 [2.4] | 13.00 | 15.50 | 73 | 1,000 [472] |
| | RCFL-H*3621(ROLA-070E03) | 29,200 [8.6] | 20,600 [6.0] | 8,600 [2.5] | 13.00 | 16.00 | 73 | 900 [425] |
| | RCFL-H*3621(ROLA-070E04) | 29,200 [8.6] | 20,600 [6.0] | 8,600 [2.5] | 13.00 | 16.00 | 73 | 900 [425] |
| | RCFL-H*3621(ROLA-115E05) | 29,200 [8.6] | 20,600 [6.0] | 8,600 [2.5] | 13.00 | 16.00 | 73 | 900 [425] |
| | RCFL-H*3621+RXMD-C04 | 29,000 [8.5] | 21,000 [6.2] | 8,000 [2.3] | 12.00 | 14.50 | 73 | 1,000 [472] |
| | RCFL-H*3821(RGFE-06?MCK?) | 30,000 [8.8] | 22,050 [6.5] | 7,950 [2.3] | 12.50 | 15.10 | 73 | 1,000 [472] |
| | RCFL-H*3821(RGFE-07?MCK?) | 30,200 [8.8] | 22,400 [6.6] | 7,800 [2.3] | 12.50 | 15.10 | 73 | 1,025 [484] |
| | RCFL-H*3821(RGFE-09?ZCM?) | 30,200 [8.8] | 22,200 [6.5] | 8,000 [2.3] | 13.00 | 16.00 | 73 | 975 [460] |
| | RCFL-H*3821(RGFE-10?ZCM?) | 30,200 [8.8] | 22,200 [6.5] | 8,000 [2.3] | 13.00 | 16.00 | 73 | 1,000 [472] |
| | RCFL-H*3821(RGFG-06?MCK?) | 29,800 [8.7] | 21,350 [6.3] | 8,450 [2.5] | 13.00 | 15.50 | 73 | 875 [413] |
| | RCFL-H*3821(RGFG-07?MCK?) | 29,800 [8.7] | 21,200 [6.2] | 8,600 [2.5] | 13.00 | 16.00 | 73 | 850 [401] |
| | RCFL-H*3821(RGFG-09?ZCM?) | 30,000 [8.8] | 21,500 [6.3] | 8,500 [2.5] | 13.00 | 16.00 | 73 | 875 [413] |
| | RCFL-H*3821(RGFG-10?ZCM?) | 30,200 [8.8] | 21,800 [6.4] | 8,400 [2.5] | 13.00 | 16.00 | 73 | 900 [425] |
| | RCFL-H*3821(RGGE-06?MCK?) | 30,200 [8.8] | 22,350 [6.5] | 7,850 [2.3] | 12.50 | 15.10 | 73 | 1,025 [484] |
| | RCFL-H*3821(RGGE-07?MCK?) | 30,200 [8.8] | 22,350 [6.5] | 7,850 [2.3] | 13.00 | 15.50 | 73 | 1,025 [484] |
| | RCFL-H*3821(RGGE-09?ZCM?) | 30,200 [8.8] | 22,200 [6.5] | 8,000 [2.3] | 13.00 | 16.00 | 73 | 1,000 [472] |
| | RCFL-H*3821(RGGE-10?ZCM?) | 30,200 [8.8] | 22,200 [6.5] | 8,000 [2.3] | 13.00 | 16.00 | 73 | 1,000 [472] |
| | RCFL-H*3821(RGJF-06?MCK?) | 30,200 [8.8] | 22,350 [6.5] | 7,850 [2.3] | 13.00 | 15.50 | 73 | 1,025 [484] |
| | RCFL-H*3821(RGJF-07?MCK?) | 30,200 [8.8] | 22,350 [6.5] | 7,850 [2.3] | 13.00 | 15.50 | 73 | 1,025 [484] |
| | RCFL-H*3821(RGJF-09?ZCM?) | 30,400 [8.9] | 22,550 [6.6] | 7,850 [2.3] | 13.00 | 16.00 | 73 | 1,025 [484] |
| | RCFL-H*3821(RGJF-10?ZCM?) | 30,200 [8.8] | 22,200 [6.5] | 8,000 [2.3] | 13.00 | 16.00 | 73 | 1,000 [472] |
| | RCFL-H*3821(RGLE-07?AMK?) | 30,400 [8.9] | 22,550 [6.6] | 7,850 [2.3] | 13.00 | 16.00 | 73 | 1,025 [484] |
| | RCFL-H*3821(RGLE-07?BRQ?) | 30,400 [8.9] | 22,500 [6.6] | 7,900 [2.3] | 13.00 | 16.00 | 73 | 1,025 [484] |
| | RCFL-H*3821(RGLE-10?BRM?) | 30,600 [9.0] | 22,800 [6.7] | 7,800 [2.3] | 13.00 | 16.00 | 73 | 1,050 [495] |
| | RCFL-H*3821(RGLT-07?AMK?) | 30,000 [8.8] | 21,750 [6.4] | 8,250 [2.4] | 13.00 | 16.00 | 73 | 925 [437] |
| | RCFL-H*3821(RGLT-07?BRQ?) | 30,600 [9.0] | 22,700 [6.7] | 7,900 [2.3] | 13.00 | 16.00 | 73 | 1,025 [484] |
| | RCFL-H*3821(RGLT-10?BRM?) | 30,600 [9.0] | 22,700 [6.7] | 7,900 [2.3] | 13.00 | 16.00 | 73 | 1,025 [484] |
| | RCFL-H*3821(RGPE-05?BMK?) | 30,200 [8.8] | 22,250 [6.5] | 7,950 [2.3] | 13.00 | 15.50 | 73 | 975 [460] |
| | RCFL-H*3821(RGPE-07?AMK?) | 29,800 [8.7] | 21,450 [6.3] | 8,350 [2.4] | 13.00 | 16.00 | 73 | 900 [425] |
| | RCFL-H*3821(RGPE-07?BRQ?) | 30,400 [8.9] | 22,500 [6.6] | 7,900 [2.3] | 13.00 | 16.00 | 73 | 1,025 [484] |
| | RCFL-H*3821(RGPE-10?BRM?) | 30,000 [8.8] | 21,600 [6.3] | 8,400 [2.5] | 13.00 | 16.00 | 73 | 900 [425] |
| | RCFL-H*3821(RGPT-05?BMK?) | 29,800 [8.7] | 21,450 [6.3] | 8,350 [2.4] | 13.00 | 15.50 | 73 | 900 [425] |
| | RCFL-H*3821(RGPT-07?AMK?) | 30,000 [8.8] | 21,750 [6.4] | 8,250 [2.4] | 13.00 | 16.00 | 73 | 925 [437] |
| | RCFL-H*3821(RGPT-07?BRQ?) | 30,600 [9.0] | 22,700 [6.7] | 7,900 [2.3] | 13.00 | 16.00 | 73 | 1,025 [484] |
| | RCFL-H*3821(RGPT-10?BRM?) | 30,600 [9.0] | 22,700 [6.7] | 7,900 [2.3] | 13.00 | 16.00 | 73 | 1,025 [484] |
| | RCFL-H*3821(RGRM-04?MAE?) | 29,800 [8.7] | 21,600 [6.3] | 8,200 [2.4] | 12.50 | 15.10 | 73 | 925 [437] |
| RCFL-H*3821(RGRM-06?MAE?) | 30,000 [8.8] | 22,100 [6.5] | 7,900 [2.3] | 12.50 | 15.10 | 73 | 1,000 [472] | |
| RCFL-H*3821(RGRM-07?MAE?) | 29,600 [8.7] | 21,550 [6.3] | 8,050 [2.4] | 13.00 | 15.00 | 73 | 950 [448] | |
| RCFL-H*3821(RGRM-07?YBG?) | 30,000 [8.8] | 22,100 [6.5] | 7,900 [2.3] | 13.00 | 15.00 | 73 | 975 [460] | |
| RCFL-H*3821(RGRM-09?ZAJ?) | 30,000 [8.8] | 21,850 [6.4] | 8,150 [2.4] | 13.00 | 15.50 | 73 | 950 [448] | |
| RCFL-H*3821(RGRM-10?ZAJ?) | 30,200 [8.8] | 22,350 [6.5] | 7,850 [2.3] | 13.00 | 15.50 | 73 | 1,025 [484] | |
| RCFL-H*3821(RGTM-06?MAE?) | 29,800 [8.7] | 21,450 [6.3] | 8,350 [2.4] | 13.00 | 16.00 | 73 | 900 [425] | |

① Highest sales volume tested combination required by D.O.E. test procedures.

[] Designates Metric Conversions

Performance Data @ AHRI Standard Conditions—Cooling

| Model Numbers | | 80°F [26.5°C] DB/67°F [19.5°C] WB Indoor Air 95°F [35°C] DB Outdoor Air | | | | | Sound Rating dB | Indoor CFM [L/s] | |
|---------------------------|-----------------------------------|--|----------------------------|--------------------------|-------------|-------|--------------------|---------------------|-------------|
| Outdoor Unit RAPM- | Indoor Coil and/or Air Handler | Total Capacity BTU/H [kW] | Net Sensible BTU/H [kW] | Net Latent BTU/H [kW] | EER | SEER | | | |
| Rev. 6/14/12 | RCFL-H*3821(RGTM-07?RBG?) | 30,000 [8.8] | 21,850 [6.4] | 8,150 [2.4] | 13.00 | 16.00 | 73 | 950 [448] | |
| | RCFL-H*3821(RGTM-09?ZAJ?) | 30,400 [8.9] | 22,400 [6.6] | 8,000 [2.3] | 13.00 | 16.00 | 73 | 975 [460] | |
| | RCFL-H*3821(ROCA-070E03) | 30,200 [8.8] | 22,200 [6.5] | 8,000 [2.3] | 13.00 | 15.50 | 73 | 1,000 [472] | |
| | RCFL-H*3821(ROCA-070E04) | 30,200 [8.8] | 22,200 [6.5] | 8,000 [2.3] | 13.00 | 15.50 | 73 | 1,000 [472] | |
| | RCFL-H*3821(ROLA-070E03) | 30,200 [8.8] | 22,200 [6.5] | 8,000 [2.3] | 13.00 | 16.00 | 73 | 975 [460] | |
| | RCFL-H*3821(ROLA-070E04) | 30,400 [8.9] | 22,550 [6.6] | 7,850 [2.3] | 13.00 | 16.00 | 73 | 1,025 [484] | |
| | RCFL-H*3821(ROLA-115E05) | 30,600 [9.0] | 22,800 [6.7] | 7,800 [2.3] | 13.00 | 16.00 | 73 | 1,050 [495] | |
| | RCFL-H*3821+RXMD-C04 | 29,800 [8.7] | 21,950 [6.4] | 7,850 [2.3] | 12.00 | 14.50 | 73 | 995 [470] | |
| | RCFL-H*3824(RGFE-09?ZCM?) | 30,400 [8.9] | 22,550 [6.6] | 7,850 [2.3] | 13.00 | 15.50 | 73 | 1,025 [484] | |
| | RCFL-H*3824(RGFE-10?ZCM?) | 29,800 [8.7] | 21,450 [6.3] | 8,350 [2.4] | 13.00 | 16.00 | 73 | 900 [425] | |
| | RCFL-H*3824(RGFE-12?RCM?) | 30,400 [8.9] | 22,400 [6.6] | 8,000 [2.3] | 13.00 | 16.00 | 73 | 975 [460] | |
| | RCFL-H*3824(RGFG-09?ZCM?) | 30,000 [8.8] | 21,500 [6.3] | 8,500 [2.5] | 13.00 | 16.00 | 73 | 875 [413] | |
| | RCFL-H*3824(RGFG-10?ZCM?) | 30,000 [8.8] | 21,600 [6.3] | 8,400 [2.5] | 13.00 | 16.00 | 73 | 900 [425] | |
| | RCFL-H*3824(RGFG-12?RCM?) | 30,000 [8.8] | 21,450 [6.3] | 8,550 [2.5] | 13.00 | 16.00 | 73 | 875 [413] | |
| | RCFL-H*3824(RGGE-09?ZCM?) | 30,200 [8.8] | 22,200 [6.5] | 8,000 [2.3] | 13.00 | 16.00 | 73 | 1,000 [472] | |
| | RCFL-H*3824(RGGE-10?ZCM?) | 30,200 [8.8] | 22,200 [6.5] | 8,000 [2.3] | 13.00 | 16.00 | 73 | 1,000 [472] | |
| | RCFL-H*3824(RGGE-12?RCM?) | 30,600 [9.0] | 22,800 [6.7] | 7,800 [2.3] | 13.00 | 16.00 | 73 | 1,050 [495] | |
| | RCFL-H*3824(RGJF-09?ZCM?) | 30,400 [8.9] | 22,550 [6.6] | 7,850 [2.3] | 13.00 | 16.00 | 73 | 1,025 [484] | |
| | RCFL-H*3824(RGJF-10?ZCM?) | 30,400 [8.9] | 22,650 [6.6] | 7,750 [2.3] | 13.00 | 15.50 | 73 | 1,050 [495] | |
| | RCFL-H*3824(RGJF-12?RCM?) | 30,600 [9.0] | 22,800 [6.7] | 7,800 [2.3] | 13.00 | 16.00 | 73 | 1,050 [495] | |
| | RCFL-H*3824(RGLE-07?BRQ?) | 30,000 [8.8] | 21,700 [6.4] | 8,300 [2.4] | 13.00 | 16.00 | 73 | 925 [437] | |
| | RCFL-H*3824(RGLE-10?BRM?) | 29,800 [8.7] | 21,350 [6.3] | 8,450 [2.5] | 13.00 | 16.00 | 73 | 875 [413] | |
| | RCFL-H*3824(RGLE-12?ARM?) | 30,200 [8.8] | 21,900 [6.4] | 8,300 [2.4] | 13.00 | 16.00 | 73 | 925 [437] | |
| | 030JEZ | RCFL-H*3824(RGLT-07?BRQ?) | 30,600 [9.0] | 22,700 [6.7] | 7,900 [2.3] | 13.00 | 16.00 | 73 | 1,025 [484] |
| | | RCFL-H*3824(RGLT-10?BRM?) | 30,600 [9.0] | 22,700 [6.7] | 7,900 [2.3] | 13.00 | 16.00 | 73 | 1,025 [484] |
| | | RCFL-H*3824(RGLT-12?ARM?) | 30,400 [8.9] | 22,350 [6.5] | 8,050 [2.4] | 13.00 | 16.00 | 73 | 975 [460] |
| | | RCFL-H*3824(RGPE-07?BRQ?) | 30,000 [8.8] | 21,650 [6.3] | 8,350 [2.4] | 13.00 | 16.00 | 73 | 900 [425] |
| | | RCFL-H*3824(RGPE-10?BRM?) | 30,800 [9.0] | 23,100 [6.8] | 7,700 [2.3] | 13.00 | 16.00 | 73 | 1,075 [507] |
| | | RCFL-H*3824(RGPE-12?ARM?) | 30,800 [9.0] | 23,100 [6.8] | 7,700 [2.3] | 13.00 | 16.00 | 73 | 1,075 [507] |
| | | RCFL-H*3824(RGPT-07?BRQ?) | 30,600 [9.0] | 22,700 [6.7] | 7,900 [2.3] | 13.00 | 16.00 | 73 | 1,025 [484] |
| | | RCFL-H*3824(RGPT-10?BRM?) | 30,600 [9.0] | 22,700 [6.7] | 7,900 [2.3] | 13.00 | 16.00 | 73 | 1,025 [484] |
| | | RCFL-H*3824(RGPT-12?ARM?) | 30,400 [8.9] | 22,350 [6.5] | 8,050 [2.4] | 13.00 | 16.00 | 73 | 975 [460] |
| | | RCFL-H*3824(RGRM-07?YBG?) | 29,400 [8.6] | 20,950 [6.1] | 8,450 [2.5] | 12.50 | 15.10 | 73 | 850 [401] |
| | | RCFL-H*3824(RGRM-09?ZAJ?) | 30,400 [8.9] | 22,750 [6.7] | 7,650 [2.2] | 13.00 | 15.50 | 73 | 1,075 [507] |
| | | RCFL-H*3824(RGRM-10?ZAJ?) | 30,200 [8.8] | 22,350 [6.5] | 7,850 [2.3] | 13.00 | 15.50 | 73 | 1,025 [484] |
| | | RCFL-H*3824(RGRM-12?RAJ?) | 30,000 [8.8] | 21,750 [6.4] | 8,250 [2.4] | 13.00 | 16.00 | 73 | 925 [437] |
| RCFL-H*3824(RGTM-07?RBG?) | | 30,000 [8.8] | 21,850 [6.4] | 8,150 [2.4] | 13.00 | 16.00 | 73 | 950 [448] | |
| RCFL-H*3824(RGTM-09?ZAJ?) | | 30,800 [9.0] | 23,250 [6.8] | 7,550 [2.2] | 13.00 | 16.00 | 73 | 1,100 [519] | |
| RCFL-H*3824(ROCA-070E03) | | 30,200 [8.8] | 22,200 [6.5] | 8,000 [2.3] | 13.00 | 15.50 | 73 | 1,000 [472] | |
| RCFL-H*3824(ROCA-070E04) | | 30,200 [8.8] | 22,200 [6.5] | 8,000 [2.3] | 13.00 | 15.50 | 73 | 1,000 [472] | |
| RCFL-H*3824(ROLA-070E03) | | 30,200 [8.8] | 22,200 [6.5] | 8,000 [2.3] | 13.00 | 16.00 | 73 | 975 [460] | |
| RCFL-H*3824(ROLA-070E04) | | 30,200 [8.8] | 22,200 [6.5] | 8,000 [2.3] | 13.00 | 16.00 | 73 | 975 [460] | |
| RCFL-H*3824(ROLA-115E05) | | 29,800 [8.7] | 21,450 [6.3] | 8,350 [2.4] | 13.00 | 16.00 | 73 | 900 [425] | |
| RCFL-H*3824+RXMD-C04 | | 29,800 [8.7] | 21,950 [6.4] | 7,850 [2.3] | 12.00 | 14.50 | 73 | 995 [470] | |
| RBHP-21(RCHL-36A1) | | 28,000 [8.2] | 19,450 [5.7] | 8,550 [2.5] | 12.50 | 15.00 | 73 | 1,000 [472] | |
| RCQD-3621(RGFE-06?MCK?) | | 29,800 [8.7] | 22,200 [6.5] | 7,600 [2.2] | 13.00 | 15.00 | 73 | 1,000 [472] | |
| RCQD-3621(RGFE-07?MCK?) | | 29,800 [8.7] | 22,200 [6.5] | 7,600 [2.2] | 13.00 | 15.00 | 73 | 1,025 [484] | |
| RCQD-3621(RGFE-09?ZCM?) | 30,000 [8.8] | 22,350 [6.5] | 7,650 [2.2] | 13.00 | 15.50 | 73 | 1,025 [484] | | |

① Highest sales volume tested combination required by D.O.E. test procedures.

[] Designates Metric Conversions

Performance Data @ AHRI Standard Conditions—Cooling

| Model Numbers | | 80°F [26.5°C] DB/67°F [19.5°C] WB Indoor Air 95°F [35°C] DB Outdoor Air | | | | | Sound Rating dB | Indoor CFM [L/s] |
|--------------------------|--------------------------------|--|-------------------------|-----------------------|-------|-------|-----------------|------------------|
| Outdoor Unit RAPM- | Indoor Coil and/or Air Handler | Total Capacity BTU/H [kW] | Net Sensible BTU/H [kW] | Net Latent BTU/H [kW] | EER | SEER | | |
| Rev. 6/14/12 | RCQD-3621(RGFE-10?ZCM?) | 30,200 [8.8] | 22,550 [6.6] | 7,650 [2.2] | 13.00 | 15.50 | 73 | 1,000 [472] |
| | RCQD-3621(RGFG-06?MCK?) | 29,800 [8.7] | 21,600 [6.3] | 8,200 [2.4] | 13.00 | 15.50 | 73 | 875 [413] |
| | RCQD-3621(RGFG-07?MCK?) | 29,600 [8.7] | 21,300 [6.2] | 8,300 [2.4] | 13.00 | 15.50 | 73 | 850 [401] |
| | RCQD-3621(RGFG-09?ZCM?) | 29,800 [8.7] | 21,550 [6.3] | 8,250 [2.4] | 13.00 | 16.00 | 73 | 875 [413] |
| | RCQD-3621(RGFG-10?ZCM?) | 30,000 [8.8] | 21,850 [6.4] | 8,150 [2.4] | 13.00 | 16.00 | 73 | 900 [425] |
| | RCQD-3621(RGJF-06?MCK?) | 30,000 [8.8] | 22,350 [6.5] | 7,650 [2.2] | 13.00 | 15.00 | 73 | 1,025 [484] |
| | RCQD-3621(RGJF-07?MCK?) | 30,000 [8.8] | 22,400 [6.6] | 7,600 [2.2] | 13.00 | 15.00 | 73 | 1,025 [484] |
| | RCQD-3621(RGJF-09?ZCM?) | 30,200 [8.8] | 22,550 [6.6] | 7,650 [2.2] | 13.00 | 15.50 | 73 | 1,000 [472] |
| | RCQD-3621(RGJF-10?ZCM?) | 30,200 [8.8] | 22,550 [6.6] | 7,650 [2.2] | 13.00 | 15.50 | 73 | 1,000 [472] |
| | RCQD-3621(RGPE-05?BMK?) | 30,000 [8.8] | 22,350 [6.5] | 7,650 [2.2] | 13.00 | 15.00 | 73 | 975 [460] |
| | RCQD-3621(RGPE-07?AMK?) | 30,000 [8.8] | 22,350 [6.5] | 7,650 [2.2] | 13.00 | 15.50 | 73 | 1,000 [472] |
| | RCQD-3621(RGPE-07?BRQ?) | 30,200 [8.8] | 22,500 [6.6] | 7,700 [2.3] | 13.00 | 16.00 | 73 | 1,025 [484] |
| | RCQD-3621(RGPE-10?BRM?) | 29,800 [8.7] | 21,750 [6.4] | 8,050 [2.4] | 13.00 | 16.00 | 73 | 900 [425] |
| | RCQD-3621(RGPT-05?BMK?) | 29,600 [8.7] | 21,550 [6.3] | 8,050 [2.4] | 13.00 | 15.50 | 73 | 900 [425] |
| | RCQD-3621(RGPT-07?AMK?) | 29,800 [8.7] | 21,800 [6.4] | 8,000 [2.3] | 13.00 | 15.50 | 73 | 925 [437] |
| | RCQD-3621(RGPT-07?BRQ?) | 30,400 [8.9] | 22,850 [6.7] | 7,550 [2.2] | 13.00 | 16.00 | 73 | 1,050 [495] |
| | RCQD-3621(RGPT-10?BRM?) | 30,400 [8.9] | 22,850 [6.7] | 7,550 [2.2] | 13.00 | 16.00 | 73 | 1,050 [495] |
| | RCQD-3621(RGRM-04?MAE?) | 30,600 [9.0] | 23,650 [6.9] | 6,950 [2.0] | 12.00 | 14.50 | 73 | 1,025 [484] |
| | RCQD-3621(RGRM-06?MAE?) | 30,600 [9.0] | 23,650 [6.9] | 6,950 [2.0] | 12.50 | 15.00 | 73 | 1,000 [472] |
| | RCQD-3621(RGRM-07?MAE?) | 30,400 [8.9] | 23,500 [6.9] | 6,900 [2.0] | 11.50 | 14.00 | 73 | 1,025 [484] |
| | RCQD-3621(RGRM-07?YBG?) | 30,600 [9.0] | 23,650 [6.9] | 6,950 [2.0] | 12.00 | 14.50 | 73 | 975 [460] |
| | RCQD-3621(RGRM-09?ZAJ?) | 29,800 [8.7] | 21,950 [6.4] | 7,850 [2.3] | 13.00 | 15.50 | 73 | 950 [448] |
| | RCQD-3621(RGRM-10?ZAJ?) | 30,000 [8.8] | 22,400 [6.6] | 7,600 [2.2] | 13.00 | 15.00 | 73 | 1,025 [484] |
| | RCQD-3621(RHWB-04WMX36A) | 30,800 [9.0] | 23,500 [6.9] | 7,300 [2.1] | 13.00 | 15.50 | 73 | 1,075 [507] |
| | RCQD-3621(RHWB-06WMX48A) | 30,400 [8.9] | 22,800 [6.7] | 7,600 [2.2] | 13.00 | 16.00 | 73 | 1,000 [472] |
| | RCQD-3621(ROCA-070E03) | 30,000 [8.8] | 22,300 [6.5] | 7,700 [2.3] | 13.00 | 15.50 | 73 | 1,000 [472] |
| | RCQD-3621(ROCA-070E04) | 30,000 [8.8] | 22,300 [6.5] | 7,700 [2.3] | 13.00 | 15.50 | 73 | 1,000 [472] |
| | RCQD-3621(ROLA-070E03) | 30,200 [8.8] | 22,450 [6.6] | 7,750 [2.3] | 13.00 | 15.50 | 73 | 975 [460] |
| | RCQD-3621(ROLA-070E04) | 30,200 [8.8] | 22,450 [6.6] | 7,750 [2.3] | 13.00 | 15.50 | 73 | 975 [460] |
| | RCQD-3621(ROLA-115E05) | 30,400 [8.9] | 22,900 [6.7] | 7,500 [2.2] | 13.00 | 15.50 | 73 | 1,050 [495] |
| | RCQD-3621+RXMD-C04 | 29,600 [8.7] | 22,000 [6.4] | 7,600 [2.2] | 11.50 | 14.00 | 73 | 1,000 [472] |
| | RCQD-3624(RGFG-09?ZCM?) | 29,800 [8.7] | 21,550 [6.3] | 8,250 [2.4] | 13.00 | 16.00 | 73 | 875 [413] |
| | RCQD-3624(RGFG-10?ZCM?) | 30,000 [8.8] | 21,850 [6.4] | 8,150 [2.4] | 13.00 | 16.00 | 73 | 900 [425] |
| | RCQD-3624(RGFG-12?RCM?) | 30,000 [8.8] | 21,750 [6.4] | 8,250 [2.4] | 13.00 | 16.00 | 73 | 875 [413] |
| | RCQD-3624(RGPE-07?BRQ?) | 30,400 [8.9] | 22,850 [6.7] | 7,550 [2.2] | 13.00 | 16.00 | 73 | 1,050 [495] |
| | RCQD-3624(RGPT-07?BRQ?) | 30,600 [9.0] | 23,050 [6.8] | 7,550 [2.2] | 13.00 | 16.00 | 73 | 1,050 [495] |
| | RCQD-3624(RGPT-10?BRM?) | 30,600 [9.0] | 23,150 [6.8] | 7,450 [2.2] | 13.00 | 16.00 | 73 | 1,075 [507] |
| | RCQD-3624(RGPT-12?ARM?) | 30,400 [8.9] | 22,650 [6.6] | 7,750 [2.3] | 13.00 | 16.00 | 73 | 975 [460] |
| | RCQD-3624(RGRM-07?YBG?) | 30,600 [9.0] | 23,700 [6.9] | 6,900 [2.0] | 12.50 | 15.00 | 73 | 975 [460] |
| | RCQD-3624(ROCA-070E03) | 30,200 [8.8] | 22,500 [6.6] | 7,700 [2.3] | 13.00 | 15.50 | 73 | 1,000 [472] |
| | RCQD-3624(ROCA-070E04) | 30,200 [8.8] | 22,500 [6.6] | 7,700 [2.3] | 13.00 | 15.50 | 73 | 1,000 [472] |
| | RCQD-3624(ROLA-070E03) | 30,200 [8.8] | 22,450 [6.6] | 7,750 [2.3] | 13.00 | 16.00 | 73 | 975 [460] |
| RCQD-3624(ROLA-070E04) | 30,200 [8.8] | 22,450 [6.6] | 7,750 [2.3] | 13.00 | 16.00 | 73 | 975 [460] | |
| RCQD-3624(ROLA-115E05) | 29,800 [8.7] | 21,700 [6.4] | 8,100 [2.4] | 13.00 | 16.00 | 73 | 900 [425] | |
| RCQD-3624+RXMD-C04 | 29,600 [8.7] | 22,000 [6.4] | 7,600 [2.2] | 11.50 | 14.00 | 73 | 1,000 [472] | |
| RHKL-HM3617(RCSL-H*3617) | 29,600 [8.7] | 21,350 [6.3] | 8,250 [2.4] | 13.00 | 16.00 | 73 | 1,025 [484] | |
| RHLL-HM3617(RCSL-H*3617) | 29,800 [8.7] | 21,550 [6.3] | 8,250 [2.4] | 13.00 | 16.00 | 73 | 1,000 [472] | |
| RHSL-HM3017(RCSL-H*3617) | 29,000 [8.5] | 20,700 [6.1] | 8,300 [2.4] | 12.00 | 14.50 | 73 | 950 [448] | |
| RHKL-HM3821(RCSL-H*3821) | 30,400 [8.9] | 22,350 [6.5] | 8,050 [2.4] | 13.00 | 16.00 | 73 | 1,000 [472] | |
| RHLL-HM3821(RCSL-H*3821) | 30,400 [8.9] | 22,400 [6.6] | 8,000 [2.3] | 13.00 | 16.00 | 73 | 975 [460] | |

① Highest sales volume tested combination required by D.O.E. test procedures.

[] Designates Metric Conversions

Performance Data @ AHRI Standard Conditions—Cooling

| Model Numbers | | 80°F [26.5°C] DB/67°F [19.5°C] WB Indoor Air 95°F [35°C] DB Outdoor Air | | | | | Sound Rating dB | Indoor CFM [L/s] | |
|---------------------------|-----------------------------------|--|----------------------------|--------------------------|--------------|-------|--------------------|---------------------|-------------|
| Outdoor Unit RAPM- | Indoor Coil and/or Air Handler | Total Capacity BTU/H [kW] | Net Sensible BTU/H [kW] | Net Latent BTU/H [kW] | EER | SEER | | | |
| Rev. 6/14/12 | RCFL-H*3617+RXMD-C04 ① | 35,400 [10.4] | 23,800 [7.0] | 11,600 [3.4] | 12.00 | 14.50 | 76 | 1,050 [495] | |
| | RCFL-A*3617(RGFE-06?MCK?) | 35,200 [10.3] | 23,350 [6.8] | 11,850 [3.5] | 12.00 | 14.50 | 76 | 1,000 [472] | |
| | RCFL-A*3617(RGFE-07?MCK?) | 35,400 [10.4] | 23,750 [7.0] | 11,650 [3.4] | 12.00 | 14.50 | 76 | 1,025 [484] | |
| | RCFL-A*3617(RGFG-06?MCK?) | 35,200 [10.3] | 23,400 [6.9] | 11,800 [3.5] | 12.00 | 14.50 | 76 | 1,000 [472] | |
| | RCFL-A*3617(RGFG-07?MCK?) | 35,400 [10.4] | 23,800 [7.0] | 11,600 [3.4] | 12.00 | 14.50 | 76 | 1,050 [495] | |
| | RCFL-A*3617(RGGE-06?MCK?) | 35,600 [10.4] | 23,900 [7.0] | 11,700 [3.4] | 12.50 | 15.10 | 76 | 1,025 [484] | |
| | RCFL-A*3617(RGGE-07?MCK?) | 35,600 [10.4] | 23,900 [7.0] | 11,700 [3.4] | 12.50 | 15.10 | 76 | 1,025 [484] | |
| | RCFL-A*3617(RGLE-07?AMK?) | 35,800 [10.5] | 24,100 [7.1] | 11,700 [3.4] | 12.50 | 15.10 | 76 | 1,025 [484] | |
| | RCFL-A*3617(RGLT-07?AMK?) | 35,600 [10.4] | 23,900 [7.0] | 11,700 [3.4] | 12.50 | 15.10 | 76 | 1,050 [495] | |
| | RCFL-A*3617(RGPE-07?AMK?) | 35,400 [10.4] | 23,400 [6.9] | 12,000 [3.5] | 12.50 | 15.10 | 76 | 1,000 [472] | |
| | RCFL-A*3617(RGPT-05?BMK?) | 35,400 [10.4] | 23,750 [7.0] | 11,650 [3.4] | 12.00 | 14.50 | 76 | 1,050 [495] | |
| | RCFL-A*3617(RGPT-07?AMK?) | 35,600 [10.4] | 23,900 [7.0] | 11,700 [3.4] | 12.50 | 15.00 | 76 | 1,050 [495] | |
| | RCFL-A*3617(RGRM-04?MAE?) | 35,600 [10.4] | 23,950 [7.0] | 11,650 [3.4] | 12.00 | 14.50 | 76 | 1,025 [484] | |
| | RCFL-A*3617(RGRM-06?MAE?) | 35,400 [10.4] | 23,500 [6.9] | 11,900 [3.5] | 12.00 | 14.50 | 76 | 1,000 [472] | |
| | RCFL-A*3617(RHWB-04WMX36A) | 35,800 [10.5] | 24,200 [7.1] | 11,600 [3.4] | 12.50 | 15.10 | 76 | 1,025 [484] | |
| | RCFL-A*3617(RHWB-06WMX48A) | 36,200 [10.6] | 25,000 [7.3] | 11,200 [3.3] | 12.00 | 14.50 | 76 | 1,150 [543] | |
| | RCFL-A*3617(ROCA-070E03) | 36,200 [10.6] | 25,250 [7.4] | 10,950 [3.2] | 12.00 | 14.50 | 76 | 1,200 [566] | |
| | RCFL-A*3617(ROCA-070E04) | 36,200 [10.6] | 25,250 [7.4] | 10,950 [3.2] | 12.00 | 14.50 | 76 | 1,200 [566] | |
| | 036JEZ | RCFL-A*3617(ROLA-070E03) | 36,200 [10.6] | 25,050 [7.3] | 11,150 [3.3] | 12.50 | 15.00 | 76 | 1,175 [554] |
| | | RCFL-A*3617(ROLA-070E04) | 35,800 [10.5] | 24,100 [7.1] | 11,700 [3.4] | 12.50 | 15.10 | 76 | 1,025 [484] |
| RCFL-A*3617+RXMD-C04 | | 35,400 [10.4] | 23,800 [7.0] | 11,600 [3.4] | 12.00 | 14.50 | 76 | 1,050 [495] | |
| RCFL-A*3621(RGFE-06?MCK?) | | 35,200 [10.3] | 23,350 [6.8] | 11,850 [3.5] | 12.00 | 14.50 | 76 | 1,000 [472] | |
| RCFL-A*3621(RGFE-07?MCK?) | | 35,600 [10.4] | 23,950 [7.0] | 11,650 [3.4] | 12.00 | 14.50 | 76 | 1,025 [484] | |
| RCFL-A*3621(RGFE-09?ZCM?) | | 35,800 [10.5] | 24,100 [7.1] | 11,700 [3.4] | 12.50 | 15.10 | 76 | 1,025 [484] | |
| RCFL-A*3621(RGFE-10?ZCM?) | | 35,600 [10.4] | 23,900 [7.0] | 11,700 [3.4] | 12.50 | 15.10 | 76 | 1,025 [484] | |
| RCFL-A*3621(RGFG-06?MCK?) | | 35,200 [10.3] | 23,400 [6.9] | 11,800 [3.5] | 12.50 | 15.00 | 76 | 1,000 [472] | |
| RCFL-A*3621(RGFG-07?MCK?) | | 35,400 [10.4] | 23,800 [7.0] | 11,600 [3.4] | 12.50 | 15.00 | 76 | 1,050 [495] | |
| RCFL-A*3621(RGFG-09?ZCM?) | | 35,600 [10.4] | 24,000 [7.0] | 11,600 [3.4] | 12.50 | 15.10 | 76 | 1,025 [484] | |
| RCFL-A*3621(RGFG-10?ZCM?) | | 35,800 [10.5] | 24,000 [7.0] | 11,800 [3.5] | 12.50 | 15.10 | 76 | 1,050 [495] | |
| RCFL-A*3621(RGGE-06?MCK?) | | 35,600 [10.4] | 23,900 [7.0] | 11,700 [3.4] | 12.50 | 15.10 | 76 | 1,025 [484] | |
| RCFL-A*3621(RGGE-07?MCK?) | | 35,600 [10.4] | 23,900 [7.0] | 11,700 [3.4] | 12.50 | 15.10 | 76 | 1,025 [484] | |
| RCFL-A*3621(RGGE-09?ZCM?) | | 35,800 [10.5] | 24,050 [7.0] | 11,750 [3.4] | 12.50 | 15.10 | 76 | 1,025 [484] | |
| RCFL-A*3621(RGGE-10?ZCM?) | | 35,600 [10.4] | 23,900 [7.0] | 11,700 [3.4] | 12.50 | 15.10 | 76 | 1,050 [495] | |
| RCFL-A*3621(RGLE-07?AMK?) | | 35,800 [10.5] | 24,050 [7.0] | 11,750 [3.4] | 12.50 | 15.10 | 76 | 1,025 [484] | |
| RCFL-A*3621(RGLE-10?BRM?) | | 35,800 [10.5] | 24,000 [7.0] | 11,800 [3.5] | 13.00 | 15.50 | 76 | 1,050 [495] | |
| RCFL-A*3621(RGLT-07?AMK?) | | 35,600 [10.4] | 23,900 [7.0] | 11,700 [3.4] | 12.50 | 15.10 | 76 | 1,075 [507] | |
| RCFL-A*3621(RGLT-07?BRQ?) | | 36,400 [10.7] | 25,350 [7.4] | 11,050 [3.2] | 12.50 | 15.10 | 76 | 1,200 [566] | |
| RCFL-A*3621(RGLT-10?BRM?) | | 36,400 [10.7] | 25,200 [7.4] | 11,200 [3.3] | 12.50 | 15.10 | 76 | 1,175 [554] | |
| RCFL-A*3621(RGPE-07?AMK?) | | 35,400 [10.4] | 23,400 [6.9] | 12,000 [3.5] | 12.50 | 15.10 | 76 | 1,000 [472] | |
| RCFL-A*3621(RGPE-07?BRQ?) | | 35,800 [10.5] | 24,050 [7.0] | 11,750 [3.4] | 13.00 | 15.50 | 76 | 1,025 [484] | |
| RCFL-A*3621(RGPE-10?BRM?) | | 35,800 [10.5] | 24,050 [7.0] | 11,750 [3.4] | 13.00 | 15.50 | 76 | 1,075 [507] | |
| RCFL-A*3621(RGPT-05?BMK?) | | 35,600 [10.4] | 23,950 [7.0] | 11,650 [3.4] | 12.00 | 14.50 | 76 | 1,075 [507] | |
| RCFL-A*3621(RGPT-07?AMK?) | | 35,600 [10.4] | 23,900 [7.0] | 11,700 [3.4] | 12.50 | 15.10 | 76 | 1,050 [495] | |
| RCFL-A*3621(RGPT-07?BRQ?) | | 36,000 [10.5] | 24,200 [7.1] | 11,800 [3.5] | 13.00 | 15.50 | 76 | 1,050 [495] | |
| RCFL-A*3621(RGPT-10?BRM?) | | 36,400 [10.7] | 25,200 [7.4] | 11,200 [3.3] | 12.50 | 15.10 | 76 | 1,175 [554] | |
| RCFL-A*3621(RGRM-04?MAE?) | | 35,600 [10.4] | 23,950 [7.0] | 11,650 [3.4] | 12.00 | 14.50 | 76 | 1,025 [484] | |
| RCFL-A*3621(RGRM-06?MAE?) | 35,400 [10.4] | 23,500 [6.9] | 11,900 [3.5] | 12.00 | 14.50 | 76 | 1,000 [472] | | |
| RCFL-A*3621(RGRM-09?ZAJ?) | 35,600 [10.4] | 23,950 [7.0] | 11,650 [3.4] | 12.50 | 15.00 | 76 | 1,075 [507] | | |

① Highest sales volume tested combination required by D.O.E. test procedures.

[] Designates Metric Conversions

Performance Data @ AHRI Standard Conditions—Cooling

| Model Numbers | | 80°F [26.5°C] DB/67°F [19.5°C] WB Indoor Air 95°F [35°C] DB Outdoor Air | | | | | Sound Rating dB | Indoor CFM [L/s] |
|----------------------------|-----------------------------------|--|----------------------------|--------------------------|-------|-------|--------------------|------------------|
| Outdoor Unit RAPM- | Indoor Coil and/or Air Handler | Total Capacity BTU/H [kW] | Net Sensible BTU/H [kW] | Net Latent BTU/H [kW] | EER | SEER | | |
| Rev. 6/14/12 | RCFL-A*3621(RGRM-10?ZAJ?) | 35,600 [10.4] | 23,900 [7.0] | 11,700 [3.4] | 12.50 | 15.10 | 76 | 1,025 [484] |
| | RCFL-A*3621(RHWB-04WMX36A) | 35,800 [10.5] | 24,200 [7.1] | 11,600 [3.4] | 12.50 | 15.10 | 76 | 1,025 [484] |
| 036JEZ | RCFL-A*3621(RHWB-06WMX48A) | 36,200 [10.6] | 25,100 [7.4] | 11,100 [3.3] | 12.00 | 14.50 | 76 | 1,175 [554] |
| | RCFL-A*3621(ROCA-070E03) | 36,200 [10.6] | 25,250 [7.4] | 10,950 [3.2] | 12.00 | 14.50 | 76 | 1,200 [566] |
| | RCFL-A*3621(ROCA-070E04) | 36,200 [10.6] | 25,250 [7.4] | 10,950 [3.2] | 12.00 | 14.50 | 76 | 1,200 [566] |
| | RCFL-A*3621(ROLA-070E03) | 36,200 [10.6] | 25,050 [7.3] | 11,150 [3.3] | 12.50 | 15.10 | 76 | 1,175 [554] |
| | RCFL-A*3621(ROLA-070E04) | 36,200 [10.6] | 25,050 [7.3] | 11,150 [3.3] | 12.50 | 15.10 | 76 | 1,175 [554] |
| | RCFL-A*3621(ROLA-115E05) | 36,400 [10.7] | 25,350 [7.4] | 11,050 [3.2] | 12.50 | 15.10 | 76 | 1,200 [566] |
| | RCFL-A*3621+RXMD-C04 | 35,400 [10.4] | 23,800 [7.0] | 11,600 [3.4] | 12.00 | 14.50 | 76 | 1,050 [495] |
| | RCFL-A*3821(RGFG-07?MCK?) | 37,000 [10.8] | 25,250 [7.4] | 11,750 [3.4] | 13.00 | 15.50 | 76 | 1,050 [495] |
| | RCFL-A*3821(RGFG-09?ZCM?) | 38,000 [11.1] | 26,950 [7.9] | 11,050 [3.2] | 13.00 | 15.50 | 76 | 1,200 [566] |
| | RCFL-A*3821(RGFG-10?ZCM?) | 38,000 [11.1] | 26,950 [7.9] | 11,050 [3.2] | 13.00 | 15.50 | 76 | 1,200 [566] |
| | RCFL-A*3821(RGLT-07?AMK?) | 37,200 [10.9] | 25,700 [7.5] | 11,500 [3.4] | 13.00 | 15.50 | 76 | 1,100 [519] |
| | RCFL-A*3821(RGPT-05?BMK?) | 37,200 [10.9] | 25,750 [7.5] | 11,450 [3.4] | 12.50 | 15.10 | 76 | 1,100 [519] |
| | RCFL-A*3821(RGPT-07?AMK?) | 37,200 [10.9] | 25,700 [7.5] | 11,500 [3.4] | 12.50 | 15.10 | 76 | 1,100 [519] |
| | RCFL-A*3821(ROCA-070E03) | 37,600 [11.0] | 26,600 [7.8] | 11,000 [3.2] | 12.50 | 15.10 | 76 | 1,200 [566] |
| | RCFL-A*3821(ROCA-070E04) | 37,600 [11.0] | 26,600 [7.8] | 11,000 [3.2] | 12.50 | 15.10 | 76 | 1,200 [566] |
| | RCFL-A*3821(ROLA-070E03) | 37,600 [11.0] | 26,400 [7.7] | 11,200 [3.3] | 13.00 | 15.50 | 76 | 1,175 [554] |
| | RCFL-A*3821(ROLA-070E04) | 37,600 [11.0] | 26,400 [7.7] | 11,200 [3.3] | 13.00 | 15.50 | 76 | 1,175 [554] |
| | RCFL-A*3821(ROLA-115E05) | 38,000 [11.1] | 26,900 [7.9] | 11,100 [3.3] | 13.00 | 15.50 | 76 | 1,200 [566] |
| | RCFL-A*3824(RGFG-09?ZCM?) | 38,000 [11.1] | 26,950 [7.9] | 11,050 [3.2] | 13.00 | 15.50 | 76 | 1,200 [566] |
| | RCFL-A*3824(RGFG-10?ZCM?) | 37,800 [11.1] | 26,750 [7.8] | 11,050 [3.2] | 12.50 | 15.10 | 76 | 1,200 [566] |
| | RCFL-A*3824(RGLT-12?ARM?) | 37,800 [11.1] | 26,450 [7.7] | 11,350 [3.3] | 13.00 | 16.00 | 76 | 1,150 [543] |
| | RCFL-A*3824(RGPT-12?ARM?) | 38,000 [11.1] | 26,750 [7.8] | 11,250 [3.3] | 13.00 | 16.00 | 76 | 1,175 [554] |
| | RCFL-A*3824(ROCA-070E03) | 37,600 [11.0] | 26,600 [7.8] | 11,000 [3.2] | 12.50 | 15.10 | 76 | 1,200 [566] |
| | RCFL-A*3824(ROCA-070E04) | 37,600 [11.0] | 26,600 [7.8] | 11,000 [3.2] | 12.50 | 15.10 | 76 | 1,200 [566] |
| | RCFL-A*3824(ROLA-070E03) | 37,600 [11.0] | 26,450 [7.7] | 11,150 [3.3] | 13.00 | 15.50 | 76 | 1,175 [554] |
| | RCFL-A*3824(ROLA-070E04) | 37,600 [11.0] | 26,450 [7.7] | 11,150 [3.3] | 13.00 | 15.50 | 76 | 1,175 [554] |
| | RCFL-A*3824(ROLA-115E05) | 37,000 [10.8] | 25,250 [7.4] | 11,750 [3.4] | 13.00 | 15.50 | 76 | 1,050 [495] |
| | RCFL-H*3617(RGFE-06?MCK?) | 35,200 [10.3] | 23,350 [6.8] | 11,850 [3.5] | 12.00 | 14.50 | 76 | 1,000 [472] |
| | RCFL-H*3617(RGFE-07?MCK?) | 35,400 [10.4] | 23,750 [7.0] | 11,650 [3.4] | 12.00 | 14.50 | 76 | 1,025 [484] |
| | RCFL-H*3617(RGFG-06?MCK?) | 35,200 [10.3] | 23,400 [6.9] | 11,800 [3.5] | 12.00 | 14.50 | 76 | 1,000 [472] |
| | RCFL-H*3617(RGFG-07?MCK?) | 35,400 [10.4] | 23,800 [7.0] | 11,600 [3.4] | 12.00 | 14.50 | 76 | 1,050 [495] |
| | RCFL-H*3617(RGGE-06?MCK?) | 35,600 [10.4] | 23,900 [7.0] | 11,700 [3.4] | 12.50 | 15.10 | 76 | 1,025 [484] |
| | RCFL-H*3617(RGGE-07?MCK?) | 35,600 [10.4] | 23,900 [7.0] | 11,700 [3.4] | 12.50 | 15.10 | 76 | 1,025 [484] |
| | RCFL-H*3617(RGJF-06?MCK?) | 35,600 [10.4] | 23,900 [7.0] | 11,700 [3.4] | 12.50 | 15.10 | 76 | 1,025 [484] |
| RCFL-H*3617(RGJF-07?MCK?) | 35,600 [10.4] | 23,900 [7.0] | 11,700 [3.4] | 12.50 | 15.10 | 76 | 1,025 [484] | |
| RCFL-H*3617(RGLE-07?AMK?) | 35,800 [10.5] | 24,100 [7.1] | 11,700 [3.4] | 12.50 | 15.10 | 76 | 1,025 [484] | |
| RCFL-H*3617(RGLT-07?AMK?) | 35,600 [10.4] | 23,900 [7.0] | 11,700 [3.4] | 12.50 | 15.10 | 76 | 1,050 [495] | |
| RCFL-H*3617(RGPE-07?AMK?) | 35,400 [10.4] | 23,400 [6.9] | 12,000 [3.5] | 12.50 | 15.10 | 76 | 1,000 [472] | |
| RCFL-H*3617(RGPT-05?BMK?) | 35,400 [10.4] | 23,750 [7.0] | 11,650 [3.4] | 12.00 | 14.50 | 76 | 1,050 [495] | |
| RCFL-H*3617(RGPT-07?AMK?) | 35,600 [10.4] | 23,900 [7.0] | 11,700 [3.4] | 12.50 | 15.00 | 76 | 1,050 [495] | |
| RCFL-H*3617(RGRM-04?MAE?) | 35,600 [10.4] | 23,950 [7.0] | 11,650 [3.4] | 12.00 | 14.50 | 76 | 1,025 [484] | |
| RCFL-H*3617(RGRM-06?MAE?) | 35,400 [10.4] | 23,500 [6.9] | 11,900 [3.5] | 12.00 | 14.50 | 76 | 1,000 [472] | |
| RCFL-H*3617(RGTM-06?MAE?) | 35,600 [10.4] | 23,950 [7.0] | 11,650 [3.4] | 12.00 | 14.50 | 76 | 1,025 [484] | |
| RCFL-H*3617(RHWB-04WMX36A) | 35,800 [10.5] | 24,200 [7.1] | 11,600 [3.4] | 12.50 | 15.10 | 76 | 1,025 [484] | |
| RCFL-H*3617(RHWB-06WMX48A) | 36,200 [10.6] | 25,000 [7.3] | 11,200 [3.3] | 12.00 | 14.50 | 76 | 1,150 [543] | |
| RCFL-H*3617(ROCA-070E03) | 36,200 [10.6] | 25,250 [7.4] | 10,950 [3.2] | 12.00 | 14.50 | 76 | 1,200 [566] | |

① Highest sales volume tested combination required by D.O.E. test procedures.

[] Designates Metric Conversions

Performance Data @ AHRI Standard Conditions—Cooling

| Model Numbers | | 80°F [26.5°C] DB/67°F [19.5°C] WB Indoor Air 95°F [35°C] DB Outdoor Air | | | | | Sound Rating dB | Indoor CFM [L/s] |
|----------------------------|-----------------------------------|--|----------------------------|--------------------------|-------|-------|--------------------|---------------------|
| Outdoor Unit RAPM- | Indoor Coil and/or Air Handler | Total Capacity BTU/H [kW] | Net Sensible BTU/H [kW] | Net Latent BTU/H [kW] | EER | SEER | | |
| Rev. 6/14/12 | RCFL-H*3617(ROCA-070E04) | 36,200 [10.6] | 25,250 [7.4] | 10,950 [3.2] | 12.00 | 14.50 | 76 | 1,200 [566] |
| | RCFL-H*3617(ROLA-070E03) | 36,200 [10.6] | 25,050 [7.3] | 11,150 [3.3] | 12.50 | 15.00 | 76 | 1,175 [554] |
| | RCFL-H*3617(ROLA-070E04) | 35,800 [10.5] | 24,100 [7.1] | 11,700 [3.4] | 12.50 | 15.10 | 76 | 1,025 [484] |
| | RCFL-H*3621(RGFE-06?MCK?) | 35,200 [10.3] | 23,350 [6.8] | 11,850 [3.5] | 12.00 | 14.50 | 76 | 1,000 [472] |
| | RCFL-H*3621(RGFE-07?MCK?) | 35,600 [10.4] | 23,950 [7.0] | 11,650 [3.4] | 12.00 | 14.50 | 76 | 1,025 [484] |
| | RCFL-H*3621(RGFE-09?ZCM?) | 35,800 [10.5] | 24,100 [7.1] | 11,700 [3.4] | 12.50 | 15.10 | 76 | 1,025 [484] |
| | RCFL-H*3621(RGFE-10?ZCM?) | 35,600 [10.4] | 23,900 [7.0] | 11,700 [3.4] | 12.50 | 15.10 | 76 | 1,025 [484] |
| | RCFL-H*3621(RGFG-06?MCK?) | 35,200 [10.3] | 23,400 [6.9] | 11,800 [3.5] | 12.50 | 15.00 | 76 | 1,000 [472] |
| | RCFL-H*3621(RGFG-07?MCK?) | 35,400 [10.4] | 23,800 [7.0] | 11,600 [3.4] | 12.50 | 15.00 | 76 | 1,050 [495] |
| | RCFL-H*3621(RGFG-09?ZCM?) | 35,600 [10.4] | 24,000 [7.0] | 11,600 [3.4] | 12.50 | 15.10 | 76 | 1,025 [484] |
| | RCFL-H*3621(RGFG-10?ZCM?) | 35,800 [10.5] | 24,000 [7.0] | 11,800 [3.5] | 12.50 | 15.10 | 76 | 1,050 [495] |
| | RCFL-H*3621(RGGE-06?MCK?) | 35,600 [10.4] | 23,900 [7.0] | 11,700 [3.4] | 12.50 | 15.10 | 76 | 1,025 [484] |
| | RCFL-H*3621(RGGE-07?MCK?) | 35,600 [10.4] | 23,900 [7.0] | 11,700 [3.4] | 12.50 | 15.10 | 76 | 1,025 [484] |
| | RCFL-H*3621(RGGE-09?ZCM?) | 35,800 [10.5] | 24,050 [7.0] | 11,750 [3.4] | 12.50 | 15.10 | 76 | 1,025 [484] |
| | RCFL-H*3621(RGGE-10?ZCM?) | 35,600 [10.4] | 23,900 [7.0] | 11,700 [3.4] | 12.50 | 15.10 | 76 | 1,050 [495] |
| | RCFL-H*3621(RGJF-06?MCK?) | 35,600 [10.4] | 23,900 [7.0] | 11,700 [3.4] | 12.50 | 15.10 | 76 | 1,025 [484] |
| | RCFL-H*3621(RGJF-07?MCK?) | 35,600 [10.4] | 23,900 [7.0] | 11,700 [3.4] | 12.50 | 15.10 | 76 | 1,025 [484] |
| | RCFL-H*3621(RGJF-09?ZCM?) | 35,800 [10.5] | 24,050 [7.0] | 11,750 [3.4] | 12.50 | 15.10 | 76 | 1,025 [484] |
| | RCFL-H*3621(RGJF-10?ZCM?) | 35,600 [10.4] | 23,900 [7.0] | 11,700 [3.4] | 12.50 | 15.10 | 76 | 1,050 [495] |
| | RCFL-H*3621(RGLE-07?AMK?) | 35,800 [10.5] | 24,050 [7.0] | 11,750 [3.4] | 12.50 | 15.10 | 76 | 1,025 [484] |
| | RCFL-H*3621(RGLE-07?BRQ?) | 35,800 [10.5] | 24,050 [7.0] | 11,750 [3.4] | 13.00 | 15.50 | 76 | 1,025 [484] |
| | RCFL-H*3621(RGLE-10?BRM?) | 35,800 [10.5] | 24,000 [7.0] | 11,800 [3.5] | 13.00 | 15.50 | 76 | 1,050 [495] |
| | RCFL-H*3621(RGLT-07?AMK?) | 35,600 [10.4] | 23,900 [7.0] | 11,700 [3.4] | 12.50 | 15.10 | 76 | 1,075 [507] |
| | RCFL-H*3621(RGLT-07?BRQ?) | 36,400 [10.7] | 25,350 [7.4] | 11,050 [3.2] | 12.50 | 15.10 | 76 | 1,200 [566] |
| | RCFL-H*3621(RGLT-10?BRM?) | 36,400 [10.7] | 25,200 [7.4] | 11,200 [3.3] | 12.50 | 15.10 | 76 | 1,175 [554] |
| | RCFL-H*3621(RGPE-07?AMK?) | 35,400 [10.4] | 23,400 [6.9] | 12,000 [3.5] | 12.50 | 15.10 | 76 | 1,000 [472] |
| | RCFL-H*3621(RGPE-07?BRQ?) | 35,800 [10.5] | 24,050 [7.0] | 11,750 [3.4] | 13.00 | 15.50 | 76 | 1,025 [484] |
| | RCFL-H*3621(RGPE-10?BRM?) | 35,800 [10.5] | 24,050 [7.0] | 11,750 [3.4] | 13.00 | 15.50 | 76 | 1,075 [507] |
| RCFL-H*3621(RGPT-05?BMK?) | 35,600 [10.4] | 23,950 [7.0] | 11,650 [3.4] | 12.00 | 14.50 | 76 | 1,075 [507] | |
| RCFL-H*3621(RGPT-07?AMK?) | 35,600 [10.4] | 23,900 [7.0] | 11,700 [3.4] | 12.50 | 15.10 | 76 | 1,050 [495] | |
| RCFL-H*3621(RGPT-07?BRQ?) | 36,000 [10.5] | 24,200 [7.1] | 11,800 [3.5] | 13.00 | 15.50 | 76 | 1,050 [495] | |
| RCFL-H*3621(RGPT-10?BRM?) | 36,400 [10.7] | 25,200 [7.4] | 11,200 [3.3] | 12.50 | 15.10 | 76 | 1,175 [554] | |
| RCFL-H*3621(RGRM-04?MAE?) | 35,600 [10.4] | 23,950 [7.0] | 11,650 [3.4] | 12.00 | 14.50 | 76 | 1,025 [484] | |
| RCFL-H*3621(RGRM-06?MAE?) | 35,400 [10.4] | 23,500 [6.9] | 11,900 [3.5] | 12.00 | 14.50 | 76 | 1,000 [472] | |
| RCFL-H*3621(RGRM-09?ZAJ?) | 35,600 [10.4] | 23,950 [7.0] | 11,650 [3.4] | 12.50 | 15.00 | 76 | 1,075 [507] | |
| RCFL-H*3621(RGRM-10?ZAJ?) | 35,600 [10.4] | 23,900 [7.0] | 11,700 [3.4] | 12.50 | 15.10 | 76 | 1,025 [484] | |
| RCFL-H*3621(RGTM-06?MAE?) | 35,600 [10.4] | 23,950 [7.0] | 11,650 [3.4] | 12.50 | 15.00 | 76 | 1,025 [484] | |
| RCFL-H*3621(RGTM-07?RBG?) | 35,800 [10.5] | 24,050 [7.0] | 11,750 [3.4] | 12.50 | 15.10 | 76 | 1,050 [495] | |
| RCFL-H*3621(RGTM-09?ZAJ?) | 36,000 [10.5] | 24,500 [7.2] | 11,500 [3.4] | 12.50 | 15.10 | 76 | 1,100 [519] | |
| RCFL-H*3621(RHWB-04WMX36A) | 35,800 [10.5] | 24,200 [7.1] | 11,600 [3.4] | 12.50 | 15.10 | 76 | 1,025 [484] | |
| RCFL-H*3621(RHWB-06WMX48A) | 36,200 [10.6] | 25,100 [7.4] | 11,100 [3.3] | 12.00 | 14.50 | 76 | 1,175 [554] | |
| RCFL-H*3621(ROCA-070E03) | 36,200 [10.6] | 25,250 [7.4] | 10,950 [3.2] | 12.00 | 14.50 | 76 | 1,200 [566] | |
| RCFL-H*3621(ROCA-070E04) | 36,200 [10.6] | 25,250 [7.4] | 10,950 [3.2] | 12.00 | 14.50 | 76 | 1,200 [566] | |
| RCFL-H*3621(ROLA-070E03) | 36,200 [10.6] | 25,050 [7.3] | 11,150 [3.3] | 12.50 | 15.10 | 76 | 1,175 [554] | |
| RCFL-H*3621(ROLA-070E04) | 36,200 [10.6] | 25,050 [7.3] | 11,150 [3.3] | 12.50 | 15.10 | 76 | 1,175 [554] | |
| RCFL-H*3621(ROLA-115E05) | 36,400 [10.7] | 25,350 [7.4] | 11,050 [3.2] | 12.50 | 15.10 | 76 | 1,200 [566] | |
| RCFL-H*3621+RXMD-C04 | 35,400 [10.4] | 23,800 [7.0] | 11,600 [3.4] | 12.00 | 14.50 | 76 | 1,050 [495] | |
| RCFL-H*3821(RGFE-09?ZCM?) | 37,800 [11.1] | 26,800 [7.9] | 11,000 [3.2] | 12.50 | 15.10 | 76 | 1,200 [566] | |

① Highest sales volume tested combination required by D.O.E. test procedures.

[] Designates Metric Conversions

Performance Data @ AHRI Standard Conditions—Cooling

| Model Numbers | | 80°F [26.5°C] DB/67°F [19.5°C] WB Indoor Air 95°F [35°C] DB Outdoor Air | | | | | Sound Rating dB | Indoor CFM [L/s] | |
|---------------------------|-----------------------------------|--|----------------------------|--------------------------|--------------|-------|--------------------|------------------|-------------|
| Outdoor Unit RAPM- | Indoor Coil and/or Air Handler | Total Capacity BTU/H [kW] | Net Sensible BTU/H [kW] | Net Latent BTU/H [kW] | EER | SEER | | | |
| Rev. 6/14/12 | RCFL-H*3821(RGFG-06?MCK?) | 36,800 [10.8] | 25,000 [7.3] | 11,800 [3.5] | 13.00 | 15.50 | 76 | 1,000 [472] | |
| | RCFL-H*3821(RGFG-07?MCK?) | 37,000 [10.8] | 25,250 [7.4] | 11,750 [3.4] | 13.00 | 15.50 | 76 | 1,050 [495] | |
| | RCFL-H*3821(RGFG-09?ZCM?) | 38,000 [11.1] | 26,950 [7.9] | 11,050 [3.2] | 13.00 | 15.50 | 76 | 1,200 [566] | |
| | RCFL-H*3821(RGFG-10?ZCM?) | 38,000 [11.1] | 26,950 [7.9] | 11,050 [3.2] | 12.50 | 15.10 | 76 | 1,200 [566] | |
| | RCFL-H*3821(RGGE-06?MCK?) | 37,600 [11.0] | 26,650 [7.8] | 10,950 [3.2] | 12.00 | 14.50 | 76 | 1,200 [566] | |
| | RCFL-H*3821(RGGE-07?MCK?) | 37,400 [11.0] | 26,450 [7.7] | 10,950 [3.2] | 12.00 | 14.50 | 76 | 1,200 [566] | |
| | RCFL-H*3821(RGGE-10?ZCM?) | 37,000 [10.8] | 25,250 [7.4] | 11,750 [3.4] | 13.00 | 15.50 | 76 | 1,050 [495] | |
| | RCFL-H*3821(RGJF-06?MCK?) | 37,600 [11.0] | 26,650 [7.8] | 10,950 [3.2] | 12.00 | 14.50 | 76 | 1,200 [566] | |
| | RCFL-H*3821(RGJF-07?MCK?) | 37,400 [11.0] | 26,450 [7.7] | 10,950 [3.2] | 12.00 | 14.50 | 76 | 1,200 [566] | |
| | RCFL-H*3821(RGJF-10?ZCM?) | 37,800 [11.1] | 26,750 [7.8] | 11,050 [3.2] | 12.50 | 15.10 | 76 | 1,200 [566] | |
| | RCFL-H*3821(RGLE-07?AMK?) | 37,600 [11.0] | 26,600 [7.8] | 11,000 [3.2] | 12.50 | 15.10 | 76 | 1,200 [566] | |
| | RCFL-H*3821(RGLE-10?BRM?) | 38,000 [11.1] | 26,900 [7.9] | 11,100 [3.3] | 13.00 | 15.50 | 76 | 1,200 [566] | |
| | RCFL-H*3821(RGLT-07?AMK?) | 37,200 [10.9] | 25,700 [7.5] | 11,500 [3.4] | 13.00 | 15.50 | 76 | 1,100 [519] | |
| | RCFL-H*3821(RGPT-05?BMK?) | 37,200 [10.9] | 25,750 [7.5] | 11,450 [3.4] | 12.50 | 15.10 | 76 | 1,100 [519] | |
| | RCFL-H*3821(RGPT-07?AMK?) | 37,200 [10.9] | 25,700 [7.5] | 11,500 [3.4] | 12.50 | 15.10 | 76 | 1,100 [519] | |
| | RCFL-H*3821(RGRM-07?YBG?) | 36,600 [10.7] | 24,950 [7.3] | 11,650 [3.4] | 12.00 | 14.50 | 76 | 1,050 [495] | |
| | RCFL-H*3821(RGRM-09?ZAJ?) | 37,000 [10.8] | 25,300 [7.4] | 11,700 [3.4] | 12.50 | 15.10 | 76 | 1,075 [507] | |
| | RCFL-H*3821(RGRM-10?ZAJ?) | 37,400 [11.0] | 26,150 [7.7] | 11,250 [3.3] | 12.50 | 15.10 | 76 | 1,150 [543] | |
| | RCFL-H*3821(RGTM-06?MAE?) | 36,800 [10.8] | 25,100 [7.4] | 11,700 [3.4] | 12.50 | 15.10 | 76 | 1,075 [507] | |
| | RCFL-H*3821(RGTM-07?RBG?) | 37,000 [10.8] | 25,250 [7.4] | 11,750 [3.4] | 13.00 | 15.50 | 76 | 1,050 [495] | |
| | RCFL-H*3821(RGTM-09?ZAJ?) | 37,400 [11.0] | 25,850 [7.6] | 11,550 [3.4] | 13.00 | 15.50 | 76 | 1,100 [519] | |
| | RCFL-H*3821(RHWB-04WMX36A) | 36,200 [10.6] | 24,700 [7.2] | 11,500 [3.4] | 13.00 | 15.50 | 76 | 1,075 [507] | |
| | RCFL-H*3821(RHWB-06WMX48A) | 37,000 [10.8] | 26,200 [7.7] | 10,800 [3.2] | 12.50 | 15.10 | 76 | 1,200 [566] | |
| | 036JEZ | RCFL-H*3821(ROCA-070E03) | 37,600 [11.0] | 26,600 [7.8] | 11,000 [3.2] | 12.50 | 15.10 | 76 | 1,200 [566] |
| | | RCFL-H*3821(ROCA-070E04) | 37,600 [11.0] | 26,600 [7.8] | 11,000 [3.2] | 12.50 | 15.10 | 76 | 1,200 [566] |
| | | RCFL-H*3821(ROLA-070E03) | 37,600 [11.0] | 26,400 [7.7] | 11,200 [3.3] | 13.00 | 15.50 | 76 | 1,175 [554] |
| | | RCFL-H*3821(ROLA-070E04) | 37,600 [11.0] | 26,400 [7.7] | 11,200 [3.3] | 13.00 | 15.50 | 76 | 1,175 [554] |
| | | RCFL-H*3821(ROLA-115E05) | 38,000 [11.1] | 26,900 [7.9] | 11,100 [3.3] | 13.00 | 15.50 | 76 | 1,200 [566] |
| | | RCFL-H*3821+RXMD-C04 | 36,400 [10.7] | 24,800 [7.3] | 11,600 [3.4] | 12.00 | 14.50 | 76 | 1,050 [495] |
| | | RCFL-H*3824(RGFE-09?ZCM?) | 37,600 [11.0] | 26,600 [7.8] | 11,000 [3.2] | 12.50 | 15.10 | 76 | 1,200 [566] |
| | | RCFL-H*3824(RGFG-09?ZCM?) | 38,000 [11.1] | 26,950 [7.9] | 11,050 [3.2] | 13.00 | 15.50 | 76 | 1,200 [566] |
| | | RCFL-H*3824(RGFG-10?ZCM?) | 37,800 [11.1] | 26,750 [7.8] | 11,050 [3.2] | 12.50 | 15.10 | 76 | 1,200 [566] |
| | | RCFL-H*3824(RGGE-10?ZCM?) | 37,800 [11.1] | 26,800 [7.9] | 11,000 [3.2] | 13.00 | 15.00 | 76 | 1,200 [566] |
| | | RCFL-H*3824(RGGE-12?RCM?) | 38,000 [11.1] | 26,900 [7.9] | 11,100 [3.3] | 13.00 | 15.50 | 76 | 1,200 [566] |
| | | RCFL-H*3824(RGJF-10?ZCM?) | 37,800 [11.1] | 26,750 [7.8] | 11,050 [3.2] | 13.00 | 15.00 | 76 | 1,200 [566] |
| | | RCFL-H*3824(RGJF-12?RCM?) | 38,000 [11.1] | 26,900 [7.9] | 11,100 [3.3] | 13.00 | 15.50 | 76 | 1,200 [566] |
| | | RCFL-H*3824(RGLE-10?BRM?) | 38,000 [11.1] | 26,900 [7.9] | 11,100 [3.3] | 13.00 | 15.50 | 76 | 1,200 [566] |
| | | RCFL-H*3824(RGLE-12?ARM?) | 37,200 [10.9] | 25,400 [7.4] | 11,800 [3.5] | 13.00 | 16.00 | 76 | 1,075 [507] |
| | | RCFL-H*3824(RGLT-12?ARM?) | 37,800 [11.1] | 26,450 [7.7] | 11,350 [3.3] | 13.00 | 16.00 | 76 | 1,150 [543] |
| | | RCFL-H*3824(RGPE-10?BRM?) | 37,200 [10.9] | 25,400 [7.4] | 11,800 [3.5] | 13.00 | 16.00 | 76 | 1,075 [507] |
| RCFL-H*3824(RGPE-12?ARM?) | | 37,200 [10.9] | 25,400 [7.4] | 11,800 [3.5] | 13.00 | 16.00 | 76 | 1,075 [507] | |
| RCFL-H*3824(RGPT-12?ARM?) | | 38,000 [11.1] | 26,750 [7.8] | 11,250 [3.3] | 13.00 | 16.00 | 76 | 1,175 [554] | |
| RCFL-H*3824(RGRM-07?YBG?) | | 36,600 [10.7] | 24,950 [7.3] | 11,650 [3.4] | 12.00 | 14.50 | 76 | 1,050 [495] | |
| RCFL-H*3824(RGRM-09?ZAJ?) | | 36,800 [10.8] | 25,100 [7.4] | 11,700 [3.4] | 12.50 | 15.10 | 76 | 1,075 [507] | |
| RCFL-H*3824(RGRM-10?ZAJ?) | | 37,400 [11.0] | 26,150 [7.7] | 11,250 [3.3] | 12.50 | 15.10 | 76 | 1,150 [543] | |
| RCFL-H*3824(RGRM-12?RAJ?) | | 37,000 [10.8] | 25,250 [7.4] | 11,750 [3.4] | 13.00 | 15.50 | 76 | 1,075 [507] | |
| RCFL-H*3824(RGTM-07?RBG?) | | 37,000 [10.8] | 25,250 [7.4] | 11,750 [3.4] | 13.00 | 15.50 | 76 | 1,050 [495] | |
| RCFL-H*3824(RGTM-09?ZAJ?) | | 37,400 [11.0] | 25,850 [7.6] | 11,550 [3.4] | 13.00 | 15.50 | 76 | 1,100 [519] | |

① Highest sales volume tested combination required by D.O.E. test procedures.

[] Designates Metric Conversions

Performance Data @ AHRI Standard Conditions—Cooling

| Model Numbers | | 80°F [26.5°C] DB/67°F [19.5°C] WB Indoor Air 95°F [35°C] DB Outdoor Air | | | | | Sound Rating dB | Indoor CFM [L/s] |
|-------------------------|-----------------------------------|--|----------------------------|--------------------------|-------|-------|--------------------|---------------------|
| Outdoor Unit RAPM- | Indoor Coil and/or Air Handler | Total Capacity BTU/H [kW] | Net Sensible BTU/H [kW] | Net Latent BTU/H [kW] | EER | SEER | | |
| Rev. 6/14/12 | RCFL-H*3824(RGTM-10?RBJ?) | 37,600 [11.0] | 26,150 [7.7] | 11,450 [3.4] | 13.00 | 15.50 | 76 | 1,125 [531] |
| | RCFL-H*3824(ROCA-070E03) | 37,600 [11.0] | 26,600 [7.8] | 11,000 [3.2] | 12.50 | 15.10 | 76 | 1,200 [566] |
| | RCFL-H*3824(ROCA-070E04) | 37,600 [11.0] | 26,600 [7.8] | 11,000 [3.2] | 12.50 | 15.10 | 76 | 1,200 [566] |
| | RCFL-H*3824(ROLA-070E03) | 37,600 [11.0] | 26,450 [7.7] | 11,150 [3.3] | 13.00 | 15.50 | 76 | 1,175 [554] |
| | RCFL-H*3824(ROLA-070E04) | 37,600 [11.0] | 26,450 [7.7] | 11,150 [3.3] | 13.00 | 15.50 | 76 | 1,175 [554] |
| | RCFL-H*3824(ROLA-115E05) | 37,000 [10.8] | 25,250 [7.4] | 11,750 [3.4] | 13.00 | 15.50 | 76 | 1,050 [495] |
| | RCFL-H*3824+RXMD-C04 | 36,400 [10.7] | 24,800 [7.3] | 11,600 [3.4] | 12.00 | 14.50 | 76 | 1,050 [495] |
| | RCFN-H*3624(RGFE-09?ZCM?) | 39,500 [11.6] | 29,050 [8.5] | 10,450 [3.1] | 13.00 | 15.50 | 76 | 1,200 [566] |
| | RCFN-H*3624(RGFE-10?ZCM?) | 39,500 [11.6] | 29,100 [8.5] | 10,400 [3.0] | 13.00 | 15.50 | 76 | 1,225 [578] |
| | RCFN-H*3624(RGFE-12?RCM?) | 39,500 [11.6] | 29,050 [8.5] | 10,450 [3.1] | 13.00 | 16.00 | 76 | 1,225 [578] |
| | RCFN-H*3624(RGFG-09?ZCM?) | 40,500 [11.9] | 30,750 [9.0] | 9,750 [2.9] | 13.00 | 16.00 | 76 | 1,200 [566] |
| | RCFN-H*3624(RGFG-10?ZCM?) | 40,500 [11.9] | 30,750 [9.0] | 9,750 [2.9] | 13.00 | 16.00 | 76 | 1,200 [566] |
| | RCFN-H*3624(RGFG-12?RCM?) | 41,000 [12.0] | 31,350 [9.2] | 9,650 [2.8] | 13.00 | 16.00 | 76 | 1,225 [578] |
| | RCFN-H*3624(RGGE-09?ZCM?) | 39,500 [11.6] | 29,050 [8.5] | 10,450 [3.1] | 13.00 | 15.50 | 76 | 1,225 [578] |
| | RCFN-H*3624(RGGE-10?ZCM?) | 39,500 [11.6] | 29,050 [8.5] | 10,450 [3.1] | 13.00 | 15.50 | 76 | 1,200 [566] |
| | RCFN-H*3624(RGGE-12?RCM?) | 39,500 [11.6] | 29,000 [8.5] | 10,500 [3.1] | 13.00 | 16.00 | 76 | 1,200 [566] |
| | RCFN-H*3624(RGJF-09?ZCM?) | 39,500 [11.6] | 29,050 [8.5] | 10,450 [3.1] | 13.00 | 15.50 | 76 | 1,225 [578] |
| | RCFN-H*3624(RGJF-10?ZCM?) | 39,500 [11.6] | 29,050 [8.5] | 10,450 [3.1] | 13.00 | 15.50 | 76 | 1,200 [566] |
| | RCFN-H*3624(RGJF-12?RCM?) | 39,500 [11.6] | 29,000 [8.5] | 10,500 [3.1] | 13.00 | 16.00 | 76 | 1,200 [566] |
| | RCFN-H*3624(RGLE-07?BRQ?) | 39,500 [11.6] | 29,000 [8.5] | 10,500 [3.1] | 13.00 | 16.00 | 76 | 1,225 [578] |
| | RCFN-H*3624(RGLE-10?BRM?) | 39,500 [11.6] | 29,000 [8.5] | 10,500 [3.1] | 13.00 | 16.00 | 76 | 1,200 [566] |
| | RCFN-H*3624(RGLE-12?ARM?) | 39,500 [11.6] | 29,000 [8.5] | 10,500 [3.1] | 13.00 | 16.00 | 76 | 1,225 [578] |
| | RCFN-H*3624(RGLT-07?BRQ?) | 40,000 [11.7] | 29,900 [8.8] | 10,100 [3.0] | 13.00 | 16.00 | 76 | 1,275 [602] |
| | RCFN-H*3624(RGLT-10?BRM?) | 40,000 [11.7] | 29,900 [8.8] | 10,100 [3.0] | 13.00 | 16.00 | 76 | 1,275 [602] |
| | RCFN-H*3624(RGLT-12?ARM?) | 40,000 [11.7] | 29,450 [8.6] | 10,550 [3.1] | 13.00 | 16.50 | 76 | 1,200 [566] |
| | RCFN-H*3624(RGPE-07?BRQ?) | 39,500 [11.6] | 29,000 [8.5] | 10,500 [3.1] | 13.00 | 16.00 | 76 | 1,225 [578] |
| | RCFN-H*3624(RGPE-10?BRM?) | 39,500 [11.6] | 29,000 [8.5] | 10,500 [3.1] | 13.00 | 16.00 | 76 | 1,225 [578] |
| | RCFN-H*3624(RGPE-12?ARM?) | 39,500 [11.6] | 29,000 [8.5] | 10,500 [3.1] | 13.00 | 16.00 | 76 | 1,200 [566] |
| | RCFN-H*3624(RGPT-07?BRQ?) | 40,000 [11.7] | 29,900 [8.8] | 10,100 [3.0] | 13.00 | 16.00 | 76 | 1,275 [602] |
| | RCFN-H*3624(RGPT-10?BRM?) | 40,000 [11.7] | 29,750 [8.7] | 10,250 [3.0] | 13.00 | 16.00 | 76 | 1,250 [590] |
| | RCFN-H*3624(RGPT-12?ARM?) | 39,500 [11.6] | 29,000 [8.5] | 10,500 [3.1] | 13.00 | 16.00 | 76 | 1,200 [566] |
| | RCFN-H*3624(RGRM-09?ZAJ?) | 39,000 [11.4] | 28,600 [8.4] | 10,400 [3.0] | 13.00 | 15.50 | 76 | 1,225 [578] |
| | RCFN-H*3624(RGRM-10?ZAJ?) | 39,000 [11.4] | 28,350 [8.3] | 10,650 [3.1] | 13.00 | 15.50 | 76 | 1,150 [543] |
| | RCFN-H*3624(RGRM-12?RAJ?) | 39,500 [11.6] | 29,050 [8.5] | 10,450 [3.1] | 13.00 | 15.50 | 76 | 1,225 [578] |
| | RCFN-H*3624(ROCA-070E03) | 39,500 [11.6] | 29,100 [8.5] | 10,400 [3.0] | 13.00 | 15.50 | 76 | 1,200 [566] |
| | RCFN-H*3624(ROCA-070E04) | 39,500 [11.6] | 29,100 [8.5] | 10,400 [3.0] | 13.00 | 15.50 | 76 | 1,200 [566] |
| | RCFN-H*3624(ROLA-070E03) | 39,500 [11.6] | 29,000 [8.5] | 10,500 [3.1] | 13.00 | 16.00 | 76 | 1,175 [554] |
| | RCFN-H*3624(ROLA-070E04) | 39,500 [11.6] | 29,000 [8.5] | 10,500 [3.1] | 13.00 | 16.00 | 76 | 1,175 [554] |
| | RCFN-H*3624(ROLA-115E05) | 39,500 [11.6] | 29,000 [8.5] | 10,500 [3.1] | 13.00 | 16.00 | 76 | 1,200 [566] |
| | RCFN-H*3624+RXMD-C04 | 39,000 [11.4] | 28,700 [8.4] | 10,300 [3.0] | 12.50 | 15.00 | 76 | 1,200 [566] |
| RBHP-21(RCHL-36A1) | 35,600 [10.4] | 24,100 [7.1] | 11,500 [3.4] | 12.50 | 15.00 | 76 | 1,200 [566] | |
| RCQD-3621(RGFE-09?ZCM?) | 37,400 [11.0] | 26,750 [7.8] | 10,650 [3.1] | 12.50 | 15.10 | 76 | 1,200 [566] | |
| RCQD-3621(RGFG-07?MCK?) | 36,800 [10.8] | 25,400 [7.4] | 11,400 [3.3] | 12.50 | 15.10 | 76 | 1,050 [495] | |
| RCQD-3621(RGFG-09?ZCM?) | 37,600 [11.0] | 26,850 [7.9] | 10,750 [3.1] | 12.50 | 15.10 | 76 | 1,200 [566] | |
| RCQD-3621(RGFG-10?ZCM?) | 37,000 [10.8] | 25,550 [7.5] | 11,450 [3.4] | 13.00 | 15.50 | 76 | 1,050 [495] | |
| RCQD-3621(RGJF-06?MCK?) | 37,200 [10.9] | 26,600 [7.8] | 10,600 [3.1] | 12.00 | 14.50 | 76 | 1,200 [566] | |
| RCQD-3621(RGJF-07?MCK?) | 37,200 [10.9] | 26,600 [7.8] | 10,600 [3.1] | 11.50 | 14.00 | 76 | 1,200 [566] | |
| RCQD-3621(RGJF-10?ZCM?) | 37,400 [11.0] | 26,700 [7.8] | 10,700 [3.1] | 12.50 | 15.10 | 76 | 1,200 [566] | |

① Highest sales volume tested combination required by D.O.E. test procedures.

[] Designates Metric Conversions

Performance Data @ AHRI Standard Conditions—Cooling

| Model Numbers | | 80°F [26.5°C] DB/67°F [19.5°C] WB Indoor Air 95°F [35°C] DB Outdoor Air | | | | | Sound Rating dB | Indoor CFM [L/s] |
|-----------------------|-----------------------------------|--|----------------------------|--------------------------|-------|-------|--------------------|------------------|
| Outdoor Unit RAPM- | Indoor Coil and/or Air Handler | Total Capacity BTU/H [kW] | Net Sensible BTU/H [kW] | Net Latent BTU/H [kW] | EER | SEER | | |
| Rev. 6/14/12 | RCQD-3621(RGPE-05?BMK?) | 37,200 [10.9] | 26,600 [7.8] | 10,600 [3.1] | 12.00 | 14.50 | 76 | 1,200 [566] |
| | RCQD-3621(RGPE-07?BRQ?) | 36,800 [10.8] | 25,350 [7.4] | 11,450 [3.4] | 13.00 | 15.50 | 76 | 1,050 [495] |
| | RCQD-3621(RGPE-10?BRM?) | 37,000 [10.8] | 25,650 [7.5] | 11,350 [3.3] | 13.00 | 15.50 | 76 | 1,075 [507] |
| | RCQD-3621(RGPT-05?BMK?) | 36,800 [10.8] | 25,700 [7.5] | 11,100 [3.3] | 12.00 | 14.50 | 76 | 1,100 [519] |
| | RCQD-3621(RGPT-07?AMK?) | 37,000 [10.8] | 25,850 [7.6] | 11,150 [3.3] | 12.50 | 15.10 | 76 | 1,100 [519] |
| | RCQD-3621(RGPT-07?BRQ?) | 37,000 [10.8] | 25,500 [7.5] | 11,500 [3.4] | 13.00 | 15.50 | 76 | 1,050 [495] |
| | RCQD-3621(RGPT-10?BRM?) | 37,000 [10.8] | 25,500 [7.5] | 11,500 [3.4] | 13.00 | 15.50 | 76 | 1,050 [495] |
| | RCQD-3621(RGRM-06?MAE?) | 37,600 [11.0] | 27,750 [8.1] | 9,850 [2.9] | 12.50 | 14.00 | 76 | 1,175 [554] |
| | RCQD-3621(RGRM-07?YBG?) | 36,400 [10.7] | 25,100 [7.4] | 11,300 [3.3] | 12.00 | 14.50 | 76 | 1,050 [495] |
| | RCQD-3621(RGRM-09?ZAJ?) | 36,800 [10.8] | 25,550 [7.5] | 11,250 [3.3] | 12.50 | 15.10 | 76 | 1,075 [507] |
| 036JEZ | RCQD-3621(RGRM-10?ZAJ?) | 37,800 [11.1] | 27,700 [8.1] | 10,100 [3.0] | 12.50 | 15.00 | 76 | 1,150 [543] |
| | RCQD-3621(RHWB-04WMX36A) | 38,500 [11.3] | 28,900 [8.5] | 9,600 [2.8] | 12.50 | 15.10 | 76 | 1,200 [566] |
| | RCQD-3621(ROCA-070E03) | 37,400 [11.0] | 26,750 [7.8] | 10,650 [3.1] | 12.00 | 14.50 | 76 | 1,200 [566] |
| | RCQD-3621(ROCA-070E04) | 37,400 [11.0] | 26,750 [7.8] | 10,650 [3.1] | 12.00 | 14.50 | 76 | 1,200 [566] |
| | RCQD-3621(ROLA-070E03) | 37,400 [11.0] | 26,550 [7.8] | 10,850 [3.2] | 12.50 | 15.10 | 76 | 1,175 [554] |
| | RCQD-3621(ROLA-070E04) | 37,400 [11.0] | 26,550 [7.8] | 10,850 [3.2] | 12.50 | 15.10 | 76 | 1,175 [554] |
| | RCQD-3621(ROLA-115E05) | 36,800 [10.8] | 25,350 [7.4] | 11,450 [3.4] | 13.00 | 15.50 | 76 | 1,050 [495] |
| | RCQD-3621+RXMD-C04 | 36,200 [10.6] | 24,950 [7.3] | 11,250 [3.3] | 11.50 | 14.00 | 76 | 1,045 [493] |
| | RCQD-3624(RGFE-09?ZCM?) | 37,400 [11.0] | 26,700 [7.8] | 10,700 [3.1] | 12.50 | 15.10 | 76 | 1,200 [566] |
| | RCQD-3624(RGFG-09?ZCM?) | 37,600 [11.0] | 26,850 [7.9] | 10,750 [3.1] | 12.50 | 15.10 | 76 | 1,200 [566] |
| | RCQD-3624(RGFG-10?ZCM?) | 37,000 [10.8] | 25,550 [7.5] | 11,450 [3.4] | 13.00 | 15.50 | 76 | 1,050 [495] |
| | RCQD-3624(RGJF-10?ZCM?) | 37,400 [11.0] | 26,700 [7.8] | 10,700 [3.1] | 12.50 | 15.10 | 76 | 1,200 [566] |
| | RCQD-3624(RGJF-12?RCM?) | 37,600 [11.0] | 26,850 [7.9] | 10,750 [3.1] | 13.00 | 15.50 | 76 | 1,200 [566] |
| | RCQD-3624(RGPE-07?BRQ?) | 36,800 [10.8] | 25,350 [7.4] | 11,450 [3.4] | 13.00 | 15.50 | 76 | 1,050 [495] |
| | RCQD-3624(RGPE-10?BRM?) | 37,000 [10.8] | 25,650 [7.5] | 11,350 [3.3] | 13.00 | 15.50 | 76 | 1,075 [507] |
| | RCQD-3624(RGPE-12?ARM?) | 37,200 [10.9] | 25,850 [7.6] | 11,350 [3.3] | 13.00 | 15.50 | 76 | 1,075 [507] |
| | RCQD-3624(RGPT-07?BRQ?) | 37,000 [10.8] | 25,500 [7.5] | 11,500 [3.4] | 13.00 | 15.50 | 76 | 1,050 [495] |
| | RCQD-3624(RGPT-10?BRM?) | 37,200 [10.9] | 25,850 [7.6] | 11,350 [3.3] | 13.00 | 15.50 | 76 | 1,075 [507] |
| | RCQD-3624(RGRM-07?YBG?) | 36,400 [10.7] | 25,050 [7.3] | 11,350 [3.3] | 12.00 | 14.50 | 76 | 1,050 [495] |
| | RCQD-3624(RGRM-09?ZAJ?) | 36,800 [10.8] | 25,550 [7.5] | 11,250 [3.3] | 12.50 | 15.10 | 76 | 1,075 [507] |
| | RCQD-3624(RGRM-10?ZAJ?) | 38,000 [11.1] | 27,800 [8.1] | 10,200 [3.0] | 12.50 | 15.10 | 76 | 1,150 [543] |
| | RCQD-3624(RGRM-12?RAJ?) | 37,000 [10.8] | 25,700 [7.5] | 11,300 [3.3] | 13.00 | 15.50 | 76 | 1,075 [507] |
| | RCQD-3624(ROCA-070E03) | 37,400 [11.0] | 26,750 [7.8] | 10,650 [3.1] | 12.50 | 15.00 | 76 | 1,200 [566] |
| | RCQD-3624(ROCA-070E04) | 37,400 [11.0] | 26,750 [7.8] | 10,650 [3.1] | 12.50 | 15.00 | 76 | 1,200 [566] |
| | RCQD-3624(ROLA-070E03) | 37,400 [11.0] | 26,550 [7.8] | 10,850 [3.2] | 12.50 | 15.10 | 76 | 1,175 [554] |
| | RCQD-3624(ROLA-070E04) | 37,400 [11.0] | 26,550 [7.8] | 10,850 [3.2] | 12.50 | 15.10 | 76 | 1,175 [554] |
| | RCQD-3624(ROLA-115E05) | 36,800 [10.8] | 25,350 [7.4] | 11,450 [3.4] | 13.00 | 15.50 | 76 | 1,050 [495] |
| | RCQD-3624+RXMD-C04 | 36,200 [10.6] | 24,950 [7.3] | 11,250 [3.3] | 11.50 | 14.00 | 76 | 1,045 [493] |
| | RHKL-HM3617(RCSL-H*3617) | 36,000 [10.5] | 24,200 [7.1] | 11,800 [3.5] | 13.00 | 15.50 | 76 | 1,025 [484] |
| | RHLL-HM3617(RCSL-H*3617) | 35,800 [10.5] | 23,800 [7.0] | 12,000 [3.5] | 13.00 | 15.50 | 76 | 1,000 [472] |
| | RHSL-HM3617(RCSL-H*3617) | 35,600 [10.4] | 24,200 [7.1] | 11,400 [3.3] | 12.00 | 14.50 | 76 | 1,100 [519] |
| | RHSL-HM3621(RCSL-H*3621) | 35,600 [10.4] | 24,200 [7.1] | 11,400 [3.3] | 12.00 | 14.50 | 76 | 1,100 [519] |
| | RHKL-HM3821(RCSL-H*3821) | 38,000 [11.1] | 26,900 [7.9] | 11,100 [3.3] | 13.00 | 16.00 | 76 | 1,200 [566] |
| | RHLL-HM3821(RCSL-H*3821) | 37,800 [11.1] | 26,600 [7.8] | 11,200 [3.3] | 13.00 | 16.00 | 76 | 1,175 [554] |
| | RHPN-HM3624(RCSN-H*3624) | 40,000 [11.7] | 29,450 [8.6] | 10,550 [3.1] | 13.00 | 16.00 | 76 | 1,200 [566] |

① Highest sales volume tested combination required by D.O.E. test procedures.

[] Designates Metric Conversions

Performance Data @ AHRI Standard Conditions—Cooling

| Model Numbers | | 80°F [26.5°C] DB/67°F [19.5°C] WB Indoor Air 95°F [35°C] DB Outdoor Air | | | | | Sound Rating dB | Indoor CFM [L/s] | |
|---------------------------|-----------------------------------|--|----------------------------|--------------------------|--------------|-------|--------------------|---------------------|-------------|
| Outdoor Unit RAPM- | Indoor Coil and/or Air Handler | Total Capacity BTU/H [kW] | Net Sensible BTU/H [kW] | Net Latent BTU/H [kW] | EER | SEER | | | |
| Rev. 6/14/12 | RCFL-H*4821+RXMD-C04 ① | 39,500 [11.6] | 27,500 [8.1] | 12,000 [3.5] | 12.00 | 14.50 | 76 | 1,250 [590] | |
| | RCFL-A*3821(RGLT-07?AMK?) | 40,000 [11.7] | 27,900 [8.2] | 12,100 [3.5] | 12.50 | 15.10 | 76 | 1,250 [590] | |
| | RCFL-A*3821(RGLT-07?BRQ?) | 40,000 [11.7] | 27,800 [8.1] | 12,200 [3.6] | 13.00 | 15.50 | 76 | 1,250 [590] | |
| | RCFL-A*3821(RGLT-10?BRM?) | 40,000 [11.7] | 27,800 [8.1] | 12,200 [3.6] | 13.00 | 15.50 | 76 | 1,250 [590] | |
| | RCFL-A*3821(RGPE-07?AMK?) | 40,500 [11.9] | 27,900 [8.2] | 12,600 [3.7] | 12.50 | 15.10 | 76 | 1,225 [578] | |
| | RCFL-A*3821(RGPT-05?BMK?) | 39,500 [11.6] | 27,450 [8.0] | 12,050 [3.5] | 12.00 | 14.50 | 76 | 1,225 [578] | |
| | RCFL-A*3821(RGPT-07?AMK?) | 39,500 [11.6] | 27,450 [8.0] | 12,050 [3.5] | 12.00 | 14.50 | 76 | 1,250 [590] | |
| | RCFL-A*3821(RGPT-07?BRQ?) | 40,000 [11.7] | 27,800 [8.1] | 12,200 [3.6] | 13.00 | 15.50 | 76 | 1,250 [590] | |
| | RCFL-A*3821(RGPT-10?BRM?) | 40,000 [11.7] | 27,800 [8.1] | 12,200 [3.6] | 13.00 | 15.50 | 76 | 1,225 [578] | |
| | RCFL-A*3821(ROCA-070E03) | 39,500 [11.6] | 27,150 [8.0] | 12,350 [3.6] | 12.50 | 15.10 | 76 | 1,200 [566] | |
| | RCFL-A*3821(ROCA-070E04) | 39,500 [11.6] | 27,150 [8.0] | 12,350 [3.6] | 12.50 | 15.10 | 76 | 1,200 [566] | |
| | RCFL-A*3821(ROLA-070E03) | 39,500 [11.6] | 26,950 [7.9] | 12,550 [3.7] | 12.50 | 15.50 | 76 | 1,175 [554] | |
| | RCFL-A*3821(ROLA-070E04) | 39,500 [11.6] | 26,950 [7.9] | 12,550 [3.7] | 12.50 | 15.50 | 76 | 1,175 [554] | |
| | RCFL-A*4821(RGFE-09?ZCM?) | 39,500 [11.6] | 27,150 [8.0] | 12,350 [3.6] | 12.50 | 15.10 | 76 | 1,200 [566] | |
| | RCFL-A*4821(RGFE-10?ZCM?) | 40,000 [11.7] | 27,900 [8.2] | 12,100 [3.5] | 12.50 | 15.10 | 76 | 1,225 [578] | |
| | RCFL-A*4821(RGFG-09?ZCM?) | 39,500 [11.6] | 27,400 [8.0] | 12,100 [3.5] | 12.50 | 15.10 | 76 | 1,200 [566] | |
| | RCFL-A*4821(RGFG-10?ZCM?) | 39,500 [11.6] | 27,200 [8.0] | 12,300 [3.6] | 12.50 | 15.10 | 76 | 1,200 [566] | |
| | RCFL-A*4821(RGGE-06?MCK?) | 39,500 [11.6] | 27,200 [8.0] | 12,300 [3.6] | 12.00 | 14.50 | 76 | 1,200 [566] | |
| | RCFL-A*4821(RGGE-07?MCK?) | 39,500 [11.6] | 27,200 [8.0] | 12,300 [3.6] | 12.00 | 14.50 | 76 | 1,200 [566] | |
| | RCFL-A*4821(RGGE-09?ZCM?) | 40,000 [11.7] | 27,850 [8.2] | 12,150 [3.6] | 12.50 | 15.50 | 76 | 1,225 [578] | |
| | RCFL-A*4821(RGGE-10?ZCM?) | 39,500 [11.6] | 27,150 [8.0] | 12,350 [3.6] | 12.50 | 15.10 | 76 | 1,200 [566] | |
| | RCFL-A*4821(RGLE-07?AMK?) | 39,500 [11.6] | 27,150 [8.0] | 12,350 [3.6] | 12.50 | 15.10 | 76 | 1,200 [566] | |
| | RCFL-A*4821(RGLE-10?BRM?) | 40,500 [11.9] | 29,150 [8.5] | 11,350 [3.3] | 12.50 | 15.50 | 76 | 1,400 [661] | |
| | 042JEZ | RCFL-A*4821(RGLT-07?AMK?) | 40,000 [11.7] | 27,900 [8.2] | 12,100 [3.5] | 12.50 | 15.10 | 76 | 1,250 [590] |
| | | RCFL-A*4821(RGLT-07?BRQ?) | 40,000 [11.7] | 27,800 [8.1] | 12,200 [3.6] | 13.00 | 15.50 | 76 | 1,250 [590] |
| | | RCFL-A*4821(RGLT-10?BRM?) | 40,000 [11.7] | 27,800 [8.1] | 12,200 [3.6] | 13.00 | 15.50 | 76 | 1,250 [590] |
| | | RCFL-A*4821(RGPE-05?BMK?) | 39,500 [11.6] | 27,200 [8.0] | 12,300 [3.6] | 12.00 | 14.50 | 76 | 1,200 [566] |
| | | RCFL-A*4821(RGPE-07?AMK?) | 40,000 [11.7] | 27,900 [8.2] | 12,100 [3.5] | 12.50 | 15.10 | 76 | 1,225 [578] |
| | | RCFL-A*4821(RGPE-07?BRQ?) | 40,000 [11.7] | 27,800 [8.1] | 12,200 [3.6] | 13.00 | 15.50 | 76 | 1,225 [578] |
| | | RCFL-A*4821(RGPE-10?BRM?) | 40,000 [11.7] | 27,800 [8.1] | 12,200 [3.6] | 13.00 | 15.50 | 76 | 1,225 [578] |
| | | RCFL-A*4821(RGPT-05?BMK?) | 39,500 [11.6] | 27,450 [8.0] | 12,050 [3.5] | 12.00 | 14.50 | 76 | 1,225 [578] |
| | | RCFL-A*4821(RGPT-07?AMK?) | 39,500 [11.6] | 27,450 [8.0] | 12,050 [3.5] | 12.00 | 14.50 | 76 | 1,250 [590] |
| | | RCFL-A*4821(RGPT-07?BRQ?) | 40,000 [11.7] | 27,800 [8.1] | 12,200 [3.6] | 13.00 | 15.50 | 76 | 1,250 [590] |
| | | RCFL-A*4821(RGPT-10?BRM?) | 40,000 [11.7] | 27,800 [8.1] | 12,200 [3.6] | 13.00 | 15.50 | 76 | 1,225 [578] |
| | | RCFL-A*4821(RGTM-06?MAE?) | 39,500 [11.6] | 27,500 [8.1] | 12,000 [3.5] | 12.00 | 14.50 | 76 | 1,225 [578] |
| | | RCFL-A*4821(RGTM-07?RBG?) | 39,500 [11.6] | 26,700 [7.8] | 12,800 [3.8] | 12.50 | 15.50 | 76 | 1,125 [531] |
| | | RCFL-A*4821(RGTM-09?ZAJ?) | 40,000 [11.7] | 27,850 [8.2] | 12,150 [3.6] | 12.50 | 15.10 | 76 | 1,250 [590] |
| | | RCFL-A*4821(RHWB-04WMX36A) | 39,500 [11.6] | 27,300 [8.0] | 12,200 [3.6] | 12.50 | 15.10 | 76 | 1,200 [566] |
| | | RCFL-A*4821(RHWB-06WMX48A) | 39,500 [11.6] | 27,300 [8.0] | 12,200 [3.6] | 12.50 | 15.10 | 76 | 1,200 [566] |
| | | RCFL-A*4821(ROCA-070E03) | 39,500 [11.6] | 27,150 [8.0] | 12,350 [3.6] | 12.50 | 15.10 | 76 | 1,200 [566] |
| RCFL-A*4821(ROCA-070E04) | | 39,500 [11.6] | 27,150 [8.0] | 12,350 [3.6] | 12.50 | 15.10 | 76 | 1,200 [566] | |
| RCFL-A*4821(ROLA-070E03) | | 39,500 [11.6] | 26,950 [7.9] | 12,550 [3.7] | 12.50 | 15.50 | 76 | 1,175 [554] | |
| RCFL-A*4821(ROLA-070E04) | | 39,500 [11.6] | 26,950 [7.9] | 12,550 [3.7] | 12.50 | 15.50 | 76 | 1,175 [554] | |
| RCFL-A*4821+RXMD-C04 | | 39,500 [11.6] | 27,500 [8.1] | 12,000 [3.5] | 12.00 | 14.50 | 76 | 1,250 [590] | |
| RCFL-A*4824(RGFE-09?ZCM?) | | 39,500 [11.6] | 27,150 [8.0] | 12,350 [3.6] | 12.50 | 15.10 | 76 | 1,200 [566] | |
| RCFL-A*4824(RGFE-10?ZCM?) | | 40,000 [11.7] | 27,900 [8.2] | 12,100 [3.5] | 12.50 | 15.10 | 76 | 1,225 [578] | |
| RCFL-A*4824(RGFE-12?RCM?) | | 40,000 [11.7] | 27,850 [8.2] | 12,150 [3.6] | 12.50 | 15.50 | 76 | 1,225 [578] | |
| RCFL-A*4824(RGFG-09?ZCM?) | | 39,500 [11.6] | 27,400 [8.0] | 12,100 [3.5] | 12.50 | 15.10 | 76 | 1,200 [566] | |

① Highest sales volume tested combination required by D.O.E. test procedures.

[] Designates Metric Conversions



Performance Data @ AHRI Standard Conditions—Cooling

| Model Numbers | | 80°F [26.5°C] DB/67°F [19.5°C] WB Indoor Air 95°F [35°C] DB Outdoor Air | | | | | Sound Rating dB | Indoor CFM [L/s] |
|----------------------------|--------------------------------|--|-------------------------|-----------------------|--------------|-------|-----------------|------------------|
| Outdoor Unit RAPM- | Indoor Coil and/or Air Handler | Total Capacity BTU/H [kW] | Net Sensible BTU/H [kW] | Net Latent BTU/H [kW] | EER | SEER | | |
| Rev. 6/14/12 | RCFL-A*4824(RGFG-10?ZCM?) | 39,500 [11.6] | 27,200 [8.0] | 12,300 [3.6] | 12.50 | 15.10 | 76 | 1,200 [566] |
| | RCFL-A*4824(RGFG-12?RCM?) | 40,000 [11.7] | 28,000 [8.2] | 12,000 [3.5] | 13.00 | 15.50 | 76 | 1,225 [578] |
| | RCFL-A*4824(RGGE-09?ZCM?) | 40,000 [11.7] | 27,850 [8.2] | 12,150 [3.6] | 12.50 | 15.50 | 76 | 1,225 [578] |
| | RCFL-A*4824(RGGE-10?ZCM?) | 39,500 [11.6] | 27,150 [8.0] | 12,350 [3.6] | 12.50 | 15.10 | 76 | 1,200 [566] |
| | RCFL-A*4824(RGGE-12?RCM?) | 40,000 [11.7] | 27,550 [8.1] | 12,450 [3.6] | 12.50 | 15.50 | 76 | 1,200 [566] |
| | RCFL-A*4824(RGLE-10?BRM?) | 40,000 [11.7] | 27,550 [8.1] | 12,450 [3.6] | 13.00 | 15.50 | 76 | 1,200 [566] |
| | RCFL-A*4824(RGLE-12?ARM?) | 40,000 [11.7] | 27,800 [8.1] | 12,200 [3.6] | 13.00 | 15.50 | 76 | 1,225 [578] |
| | RCFL-A*4824(RGLT-07?BRQ?) | 40,000 [11.7] | 27,800 [8.1] | 12,200 [3.6] | 13.00 | 15.50 | 76 | 1,250 [590] |
| | RCFL-A*4824(RGLT-10?BRM?) | 40,000 [11.7] | 27,800 [8.1] | 12,200 [3.6] | 13.00 | 15.50 | 76 | 1,250 [590] |
| | RCFL-A*4824(RGLT-12?ARM?) | 39,500 [11.6] | 26,750 [7.8] | 12,750 [3.7] | 13.00 | 16.00 | 76 | 1,150 [543] |
| | RCFL-A*4824(RGPE-07?BRQ?) | 40,000 [11.7] | 27,800 [8.1] | 12,200 [3.6] | 13.00 | 15.50 | 76 | 1,225 [578] |
| | RCFL-A*4824(RGPE-10?BRM?) | 40,000 [11.7] | 27,800 [8.1] | 12,200 [3.6] | 13.00 | 15.50 | 76 | 1,225 [578] |
| | RCFL-A*4824(RGPE-12?ARM?) | 41,000 [12.0] | 29,800 [8.7] | 11,200 [3.3] | 12.50 | 15.50 | 76 | 1,425 [672] |
| | RCFL-A*4824(RGPT-07?BRQ?) | 40,000 [11.7] | 27,800 [8.1] | 12,200 [3.6] | 13.00 | 15.50 | 76 | 1,225 [578] |
| | RCFL-A*4824(RGPT-10?BRM?) | 40,000 [11.7] | 27,800 [8.1] | 12,200 [3.6] | 13.00 | 15.50 | 76 | 1,225 [578] |
| | RCFL-A*4824(RGPT-12?ARM?) | 40,000 [11.7] | 27,400 [8.0] | 12,600 [3.7] | 13.00 | 16.00 | 76 | 1,175 [554] |
| | RCFL-A*4824(RGRM-09?ZAJ?) | 40,000 [11.7] | 27,900 [8.2] | 12,100 [3.5] | 12.50 | 15.00 | 76 | 1,225 [578] |
| | RCFL-A*4824(RGRM-10?ZAJ?) | 39,500 [11.6] | 26,900 [7.9] | 12,600 [3.7] | 12.50 | 15.10 | 76 | 1,150 [543] |
| | RCFL-A*4824(RGRM-12?RAJ?) | 40,000 [11.7] | 27,850 [8.2] | 12,150 [3.6] | 12.50 | 15.10 | 76 | 1,225 [578] |
| | 042JEZ | RCFL-A*4824(RHWB-08WRX60A) | 40,500 [11.9] | 29,000 [8.5] | 11,500 [3.4] | 13.00 | 15.50 | 76 |
| RCFL-A*4824(RHWB-10WRX60A) | | 41,000 [12.0] | 29,800 [8.7] | 11,200 [3.3] | 13.00 | 15.50 | 76 | 1,400 [661] |
| RCFL-A*4824(ROCA-070E03) | | 39,500 [11.6] | 27,150 [8.0] | 12,350 [3.6] | 12.50 | 15.10 | 76 | 1,200 [566] |
| RCFL-A*4824(ROCA-070E04) | | 39,500 [11.6] | 27,150 [8.0] | 12,350 [3.6] | 12.50 | 15.10 | 76 | 1,200 [566] |
| RCFL-A*4824(ROLA-070E03) | | 39,500 [11.6] | 26,950 [7.9] | 12,550 [3.7] | 12.50 | 15.50 | 76 | 1,175 [554] |
| RCFL-A*4824(ROLA-070E04) | | 39,500 [11.6] | 26,950 [7.9] | 12,550 [3.7] | 12.50 | 15.50 | 76 | 1,175 [554] |
| RCFL-A*4824(ROLA-115E05) | | 40,000 [11.7] | 27,550 [8.1] | 12,450 [3.6] | 13.00 | 15.50 | 76 | 1,200 [566] |
| RCFL-A*4824+RXMD-C04 | | 39,500 [11.6] | 27,500 [8.1] | 12,000 [3.5] | 12.00 | 14.50 | 76 | 1,250 [590] |
| RCFL-H*3821(RGFE-09?ZCM?) | | 40,500 [11.9] | 27,850 [8.2] | 12,650 [3.7] | 12.50 | 15.10 | 76 | 1,200 [566] |
| RCFL-H*3821(RGFE-10?ZCM?) | | 40,500 [11.9] | 27,850 [8.2] | 12,650 [3.7] | 12.50 | 15.10 | 76 | 1,225 [578] |
| RCFL-H*3821(RGFG-09?ZCM?) | | 39,500 [11.6] | 27,200 [8.0] | 12,300 [3.6] | 12.50 | 15.10 | 76 | 1,200 [566] |
| RCFL-H*3821(RGFG-10?ZCM?) | | 39,500 [11.6] | 27,200 [8.0] | 12,300 [3.6] | 12.50 | 15.10 | 76 | 1,200 [566] |
| RCFL-H*3821(RGGE-06?MCK?) | | 40,500 [11.9] | 27,900 [8.2] | 12,600 [3.7] | 12.50 | 14.50 | 76 | 1,200 [566] |
| RCFL-H*3821(RGGE-07?MCK?) | | 40,500 [11.9] | 27,900 [8.2] | 12,600 [3.7] | 12.50 | 14.50 | 76 | 1,200 [566] |
| RCFL-H*3821(RGGE-09?ZCM?) | | 40,500 [11.9] | 28,000 [8.2] | 12,500 [3.7] | 12.50 | 15.00 | 76 | 1,225 [578] |
| RCFL-H*3821(RGGE-10?ZCM?) | | 40,500 [11.9] | 27,850 [8.2] | 12,650 [3.7] | 12.50 | 15.10 | 76 | 1,200 [566] |
| RCFL-H*3821(RGJF-06?MCK?) | | 40,500 [11.9] | 27,900 [8.2] | 12,600 [3.7] | 12.50 | 15.00 | 76 | 1,200 [566] |
| RCFL-H*3821(RGJF-07?MCK?) | | 40,500 [11.9] | 27,900 [8.2] | 12,600 [3.7] | 12.50 | 14.50 | 76 | 1,200 [566] |
| RCFL-H*3821(RGJF-09?ZCM?) | | 40,500 [11.9] | 28,000 [8.2] | 12,500 [3.7] | 12.50 | 15.00 | 76 | 1,225 [578] |
| RCFL-H*3821(RGJF-10?ZCM?) | | 40,500 [11.9] | 27,850 [8.2] | 12,650 [3.7] | 12.50 | 15.10 | 76 | 1,200 [566] |
| RCFL-H*3821(RGLE-07?AMK?) | | 40,500 [11.9] | 27,850 [8.2] | 12,650 [3.7] | 12.50 | 15.10 | 76 | 1,200 [566] |
| RCFL-H*3821(RGLE-07?BRQ?) | | 40,500 [11.9] | 27,800 [8.1] | 12,700 [3.7] | 13.00 | 15.50 | 76 | 1,225 [578] |
| RCFL-H*3821(RGLE-10?BRM?) | | 41,000 [12.0] | 28,250 [8.3] | 12,750 [3.7] | 13.00 | 15.50 | 76 | 1,200 [566] |
| RCFL-H*3821(RGLT-07?AMK?) | | 40,000 [11.7] | 27,900 [8.2] | 12,100 [3.5] | 12.50 | 15.10 | 76 | 1,250 [590] |
| RCFL-H*3821(RGLT-07?BRQ?) | | 40,000 [11.7] | 27,800 [8.1] | 12,200 [3.6] | 13.00 | 15.50 | 76 | 1,250 [590] |
| RCFL-H*3821(RGLT-10?BRM?) | | 40,000 [11.7] | 27,800 [8.1] | 12,200 [3.6] | 13.00 | 15.50 | 76 | 1,250 [590] |
| RCFL-H*3821(RGPE-05?BMK?) | | 40,500 [11.9] | 27,900 [8.2] | 12,600 [3.7] | 12.50 | 14.50 | 76 | 1,200 [566] |
| RCFL-H*3821(RGPE-07?AMK?) | | 40,500 [11.9] | 27,900 [8.2] | 12,600 [3.7] | 12.50 | 15.10 | 76 | 1,225 [578] |
| RCFL-H*3821(RGPE-07?BRQ?) | 41,000 [12.0] | 28,300 [8.3] | 12,700 [3.7] | 13.00 | 15.50 | 76 | 1,225 [578] | |

① Highest sales volume tested combination required by D.O.E. test procedures.

[] Designates Metric Conversions

Performance Data @ AHRI Standard Conditions—Cooling

| Model Numbers | | 80°F [26.5°C] DB/67°F [19.5°C] WB Indoor Air 95°F [35°C] DB Outdoor Air | | | | | Sound Rating dB | Indoor CFM [L/s] |
|---------------------------|-----------------------------------|--|----------------------------|--------------------------|-------|-------|--------------------|---------------------|
| Outdoor Unit RAPM- | Indoor Coil and/or Air Handler | Total Capacity BTU/H [kW] | Net Sensible BTU/H [kW] | Net Latent BTU/H [kW] | EER | SEER | | |
| Rev. 6/14/12 | RCFL-H*3821(RGPE-10?BRM?) | 41,000 [12.0] | 28,250 [8.3] | 12,750 [3.7] | 13.00 | 15.50 | 76 | 1,225 [578] |
| | RCFL-H*3821(RGPT-05?BMK?) | 39,500 [11.6] | 27,450 [8.0] | 12,050 [3.5] | 12.00 | 14.50 | 76 | 1,225 [578] |
| | RCFL-H*3821(RGPT-07?AMK?) | 39,500 [11.6] | 27,450 [8.0] | 12,050 [3.5] | 12.00 | 14.50 | 76 | 1,250 [590] |
| | RCFL-H*3821(RGPT-07?BRQ?) | 40,000 [11.7] | 27,800 [8.1] | 12,200 [3.6] | 13.00 | 15.50 | 76 | 1,250 [590] |
| | RCFL-H*3821(RGPT-10?BRM?) | 40,000 [11.7] | 27,800 [8.1] | 12,200 [3.6] | 13.00 | 15.50 | 76 | 1,225 [578] |
| | RCFL-H*3821(RGRM-09?ZAJ?) | 40,500 [11.9] | 27,900 [8.2] | 12,600 [3.7] | 12.50 | 15.00 | 76 | 1,225 [578] |
| | RCFL-H*3821(RGRM-10?ZAJ?) | 40,000 [11.7] | 27,050 [7.9] | 12,950 [3.8] | 12.50 | 15.00 | 76 | 1,150 [543] |
| | RCFL-H*3821(RGTM-07?RBG?) | 41,000 [12.0] | 28,650 [8.4] | 12,350 [3.6] | 12.50 | 15.10 | 76 | 1,275 [602] |
| | RCFL-H*3821(RGTM-09?ZAJ?) | 41,000 [12.0] | 28,500 [8.4] | 12,500 [3.7] | 13.00 | 15.50 | 76 | 1,250 [590] |
| | RCFL-H*3821(RHWB-04WMX36A) | 39,500 [11.6] | 27,300 [8.0] | 12,200 [3.6] | 12.50 | 15.10 | 76 | 1,200 [566] |
| | RCFL-H*3821(RHWB-06WMX48A) | 39,500 [11.6] | 27,300 [8.0] | 12,200 [3.6] | 12.50 | 15.10 | 76 | 1,200 [566] |
| | RCFL-H*3821(ROCA-070E03) | 39,500 [11.6] | 27,150 [8.0] | 12,350 [3.6] | 12.50 | 15.10 | 76 | 1,200 [566] |
| | RCFL-H*3821(ROCA-070E04) | 39,500 [11.6] | 27,150 [8.0] | 12,350 [3.6] | 12.50 | 15.10 | 76 | 1,200 [566] |
| | RCFL-H*3821(ROLA-070E03) | 39,500 [11.6] | 26,950 [7.9] | 12,550 [3.7] | 12.50 | 15.50 | 76 | 1,175 [554] |
| | RCFL-H*3821(ROLA-070E04) | 39,500 [11.6] | 26,950 [7.9] | 12,550 [3.7] | 12.50 | 15.50 | 76 | 1,175 [554] |
| | RCFL-H*3821(ROLA-115E05) | 40,000 [11.7] | 27,550 [8.1] | 12,450 [3.6] | 13.00 | 15.50 | 76 | 1,200 [566] |
| | RCFL-H*3821+RXMD-C04 | 40,000 [11.7] | 27,600 [8.1] | 12,400 [3.6] | 12.00 | 14.50 | 76 | 1,220 [576] |
| | RCFL-H*3824(RGFG-10?ZCM?) | 39,500 [11.6] | 27,200 [8.0] | 12,300 [3.6] | 12.50 | 15.10 | 76 | 1,200 [566] |
| | RCFL-H*3824(RGLT-07?BRQ?) | 40,000 [11.7] | 27,800 [8.1] | 12,200 [3.6] | 13.00 | 15.50 | 76 | 1,250 [590] |
| | RCFL-H*3824(RGLT-10?BRM?) | 40,000 [11.7] | 27,800 [8.1] | 12,200 [3.6] | 13.00 | 15.50 | 76 | 1,250 [590] |
| | RCFL-H*3824(RGLT-12?ARM?) | 39,500 [11.6] | 26,750 [7.8] | 12,750 [3.7] | 13.00 | 16.00 | 76 | 1,150 [543] |
| | RCFL-H*3824(RGPT-07?BRQ?) | 40,500 [11.9] | 28,700 [8.4] | 11,800 [3.5] | 13.00 | 15.50 | 76 | 1,325 [625] |
| | RCFL-H*3824(RGPT-10?BRM?) | 40,000 [11.7] | 27,800 [8.1] | 12,200 [3.6] | 13.00 | 15.50 | 76 | 1,225 [578] |
| | RCFL-H*3824(RGPT-12?ARM?) | 40,000 [11.7] | 27,400 [8.0] | 12,600 [3.7] | 13.00 | 16.00 | 76 | 1,175 [554] |
| | RCFL-H*3824(RHWB-08WPX60A) | 40,500 [11.9] | 29,000 [8.5] | 11,500 [3.4] | 13.00 | 15.50 | 76 | 1,350 [637] |
| | RCFL-H*3824(RHWB-10WRX60A) | 41,000 [12.0] | 29,800 [8.7] | 11,200 [3.3] | 13.00 | 15.50 | 76 | 1,400 [661] |
| | RCFL-H*3824(ROCA-070E03) | 39,500 [11.6] | 27,150 [8.0] | 12,350 [3.6] | 12.50 | 15.10 | 76 | 1,200 [566] |
| | RCFL-H*3824(ROCA-070E04) | 39,500 [11.6] | 27,150 [8.0] | 12,350 [3.6] | 12.50 | 15.10 | 76 | 1,200 [566] |
| | RCFL-H*3824(ROLA-070E03) | 39,500 [11.6] | 26,950 [7.9] | 12,550 [3.7] | 12.50 | 15.50 | 76 | 1,175 [554] |
| | RCFL-H*3824(ROLA-070E04) | 39,500 [11.6] | 26,950 [7.9] | 12,550 [3.7] | 12.50 | 15.50 | 76 | 1,175 [554] |
| | RCFL-H*3824(ROLA-115E05) | 40,000 [11.7] | 27,550 [8.1] | 12,450 [3.6] | 13.00 | 15.50 | 76 | 1,200 [566] |
| | RCFL-H*3824+RXMD-C04 | 40,000 [11.7] | 27,600 [8.1] | 12,400 [3.6] | 12.00 | 14.50 | 76 | 1,220 [576] |
| | RCFL-H*4821(RGFE-09?ZCM?) | 39,500 [11.6] | 27,150 [8.0] | 12,350 [3.6] | 12.50 | 15.10 | 76 | 1,200 [566] |
| | RCFL-H*4821(RGFE-10?ZCM?) | 40,000 [11.7] | 27,900 [8.2] | 12,100 [3.5] | 12.50 | 15.10 | 76 | 1,225 [578] |
| | RCFL-H*4821(RGFG-09?ZCM?) | 39,500 [11.6] | 27,400 [8.0] | 12,100 [3.5] | 12.50 | 15.10 | 76 | 1,200 [566] |
| | RCFL-H*4821(RGFG-10?ZCM?) | 39,500 [11.6] | 27,200 [8.0] | 12,300 [3.6] | 12.50 | 15.10 | 76 | 1,200 [566] |
| | RCFL-H*4821(RGGE-06?MCK?) | 39,500 [11.6] | 27,200 [8.0] | 12,300 [3.6] | 12.00 | 14.50 | 76 | 1,200 [566] |
| | RCFL-H*4821(RGGE-07?MCK?) | 39,500 [11.6] | 27,200 [8.0] | 12,300 [3.6] | 12.00 | 14.50 | 76 | 1,200 [566] |
| | RCFL-H*4821(RGGE-09?ZCM?) | 40,000 [11.7] | 27,850 [8.2] | 12,150 [3.6] | 12.50 | 15.50 | 76 | 1,225 [578] |
| | RCFL-H*4821(RGGE-10?ZCM?) | 39,500 [11.6] | 27,150 [8.0] | 12,350 [3.6] | 12.50 | 15.10 | 76 | 1,200 [566] |
| | RCFL-H*4821(RGJF-06?MCK?) | 39,500 [11.6] | 27,200 [8.0] | 12,300 [3.6] | 12.00 | 14.50 | 76 | 1,200 [566] |
| | RCFL-H*4821(RGJF-07?MCK?) | 39,500 [11.6] | 27,200 [8.0] | 12,300 [3.6] | 12.00 | 14.50 | 76 | 1,200 [566] |
| RCFL-H*4821(RGJF-09?ZCM?) | 40,000 [11.7] | 27,850 [8.2] | 12,150 [3.6] | 12.50 | 15.50 | 76 | 1,225 [578] | |
| RCFL-H*4821(RGJF-10?ZCM?) | 39,500 [11.6] | 27,100 [7.9] | 12,400 [3.6] | 12.50 | 15.10 | 76 | 1,200 [566] | |
| RCFL-H*4821(RGLE-07?AMK?) | 39,500 [11.6] | 27,150 [8.0] | 12,350 [3.6] | 12.50 | 15.10 | 76 | 1,200 [566] | |
| RCFL-H*4821(RGLE-10?BRM?) | 40,500 [11.9] | 29,150 [8.5] | 11,350 [3.3] | 12.50 | 15.50 | 76 | 1,400 [661] | |
| RCFL-H*4821(RGLT-07?AMK?) | 40,000 [11.7] | 27,900 [8.2] | 12,100 [3.5] | 12.50 | 15.10 | 76 | 1,250 [590] | |
| RCFL-H*4821(RGLT-07?BRQ?) | 40,000 [11.7] | 27,800 [8.1] | 12,200 [3.6] | 13.00 | 15.50 | 76 | 1,250 [590] | |

① Highest sales volume tested combination required by D.O.E. test procedures.

[] Designates Metric Conversions

Performance Data @ AHRI Standard Conditions—Cooling

| Model Numbers | | 80°F [26.5°C] DB/67°F [19.5°C] WB Indoor Air 95°F [35°C] DB Outdoor Air | | | | | Sound Rating dB | Indoor CFM [L/s] |
|---------------------------|-----------------------------------|--|----------------------------|--------------------------|-------|-------|--------------------|------------------|
| Outdoor Unit RAPM- | Indoor Coil and/or Air Handler | Total Capacity BTU/H [kW] | Net Sensible BTU/H [kW] | Net Latent BTU/H [kW] | EER | SEER | | |
| Rev. 6/14/12 | RCFL-H*4821(RGLT-10?BRM?) | 40,000 [11.7] | 27,800 [8.1] | 12,200 [3.6] | 13.00 | 15.50 | 76 | 1,250 [590] |
| | RCFL-H*4821(RGPE-05?BMK?) | 39,500 [11.6] | 27,200 [8.0] | 12,300 [3.6] | 12.00 | 14.50 | 76 | 1,200 [566] |
| | RCFL-H*4821(RGPE-07?AMK?) | 40,000 [11.7] | 27,900 [8.2] | 12,100 [3.5] | 12.50 | 15.10 | 76 | 1,225 [578] |
| | RCFL-H*4821(RGPE-07?BRQ?) | 40,000 [11.7] | 27,800 [8.1] | 12,200 [3.6] | 13.00 | 15.50 | 76 | 1,225 [578] |
| | RCFL-H*4821(RGPE-10?BRM?) | 40,000 [11.7] | 27,800 [8.1] | 12,200 [3.6] | 13.00 | 15.50 | 76 | 1,225 [578] |
| | RCFL-H*4821(RGPT-05?BMK?) | 39,500 [11.6] | 27,450 [8.0] | 12,050 [3.5] | 12.00 | 14.50 | 76 | 1,225 [578] |
| | RCFL-H*4821(RGPT-07?AMK?) | 39,500 [11.6] | 27,450 [8.0] | 12,050 [3.5] | 12.00 | 14.50 | 76 | 1,250 [590] |
| | RCFL-H*4821(RGPT-07?BRQ?) | 40,000 [11.7] | 27,800 [8.1] | 12,200 [3.6] | 13.00 | 15.50 | 76 | 1,250 [590] |
| | RCFL-H*4821(RGPT-10?BRM?) | 40,000 [11.7] | 27,800 [8.1] | 12,200 [3.6] | 13.00 | 15.50 | 76 | 1,225 [578] |
| | RCFL-H*4821(RGRM-09?ZAJ?) | 40,000 [11.7] | 27,900 [8.2] | 12,100 [3.5] | 12.50 | 15.10 | 76 | 1,225 [578] |
| | RCFL-H*4821(RGRM-10?ZAJ?) | 39,500 [11.6] | 26,900 [7.9] | 12,600 [3.7] | 12.50 | 15.10 | 76 | 1,150 [543] |
| | RCFL-H*4821(RGTM-06?MAE?) | 39,500 [11.6] | 27,500 [8.1] | 12,000 [3.5] | 12.00 | 14.50 | 76 | 1,225 [578] |
| | RCFL-H*4821(RGTM-07?RBG?) | 39,500 [11.6] | 26,700 [7.8] | 12,800 [3.8] | 12.50 | 15.50 | 76 | 1,125 [531] |
| | RCFL-H*4821(RGTM-09?ZAJ?) | 40,000 [11.7] | 27,850 [8.2] | 12,150 [3.6] | 12.50 | 15.10 | 76 | 1,250 [590] |
| | RCFL-H*4821(RHWP-04WWMX36A) | 39,500 [11.6] | 27,300 [8.0] | 12,200 [3.6] | 12.50 | 15.10 | 76 | 1,200 [566] |
| | RCFL-H*4821(RHWP-06WWMX48A) | 39,500 [11.6] | 27,300 [8.0] | 12,200 [3.6] | 12.50 | 15.10 | 76 | 1,200 [566] |
| | RCFL-H*4821(ROCA-070E03) | 39,500 [11.6] | 27,150 [8.0] | 12,350 [3.6] | 12.50 | 15.10 | 76 | 1,200 [566] |
| | RCFL-H*4821(ROCA-070E04) | 39,500 [11.6] | 27,150 [8.0] | 12,350 [3.6] | 12.50 | 15.10 | 76 | 1,200 [566] |
| | RCFL-H*4821(ROLA-070E03) | 39,500 [11.6] | 26,950 [7.9] | 12,550 [3.7] | 12.50 | 15.50 | 76 | 1,175 [554] |
| | RCFL-H*4821(ROLA-070E04) | 39,500 [11.6] | 26,950 [7.9] | 12,550 [3.7] | 12.50 | 15.50 | 76 | 1,175 [554] |
| | RCFL-H*4821(ROLA-115E05) | 40,000 [11.7] | 27,550 [8.1] | 12,450 [3.6] | 13.00 | 15.50 | 76 | 1,200 [566] |
| | RCFL-H*4824(RGFE-09?ZCM?) | 39,500 [11.6] | 27,150 [8.0] | 12,350 [3.6] | 12.50 | 15.10 | 76 | 1,200 [566] |
| | RCFL-H*4824(RGFE-10?ZCM?) | 40,000 [11.7] | 27,900 [8.2] | 12,100 [3.5] | 12.50 | 15.10 | 76 | 1,225 [578] |
| | RCFL-H*4824(RGFE-12?RCM?) | 40,000 [11.7] | 27,850 [8.2] | 12,150 [3.6] | 12.50 | 15.50 | 76 | 1,225 [578] |
| | RCFL-H*4824(RGFG-09?ZCM?) | 39,500 [11.6] | 27,400 [8.0] | 12,100 [3.5] | 12.50 | 15.10 | 76 | 1,200 [566] |
| | RCFL-H*4824(RGFG-10?ZCM?) | 39,500 [11.6] | 27,200 [8.0] | 12,300 [3.6] | 12.50 | 15.10 | 76 | 1,200 [566] |
| | RCFL-H*4824(RGFG-12?RCM?) | 40,000 [11.7] | 28,000 [8.2] | 12,000 [3.5] | 13.00 | 15.50 | 76 | 1,225 [578] |
| | RCFL-H*4824(RGGE-09?ZCM?) | 40,000 [11.7] | 27,850 [8.2] | 12,150 [3.6] | 12.50 | 15.50 | 76 | 1,225 [578] |
| | RCFL-H*4824(RGGE-10?ZCM?) | 39,500 [11.6] | 27,150 [8.0] | 12,350 [3.6] | 12.50 | 15.10 | 76 | 1,200 [566] |
| | RCFL-H*4824(RGGE-12?RCM?) | 40,500 [11.9] | 29,050 [8.5] | 11,450 [3.4] | 12.50 | 15.00 | 76 | 1,375 [649] |
| | RCFL-H*4824(RGJF-09?ZCM?) | 40,000 [11.7] | 27,850 [8.2] | 12,150 [3.6] | 12.50 | 15.50 | 76 | 1,225 [578] |
| | RCFL-H*4824(RGJF-10?ZCM?) | 40,000 [11.7] | 27,850 [8.2] | 12,150 [3.6] | 12.50 | 15.50 | 76 | 1,225 [578] |
| | RCFL-H*4824(RGJF-12?RCM?) | 40,000 [11.7] | 27,550 [8.1] | 12,450 [3.6] | 13.00 | 15.50 | 76 | 1,200 [566] |
| | RCFL-H*4824(RGLE-10?BRM?) | 40,500 [11.9] | 29,150 [8.5] | 11,350 [3.3] | 12.50 | 15.50 | 76 | 1,400 [661] |
| | RCFL-H*4824(RGLE-12?ARM?) | 40,000 [11.7] | 27,800 [8.1] | 12,200 [3.6] | 13.00 | 15.50 | 76 | 1,225 [578] |
| | RCFL-H*4824(RGLT-07?BRQ?) | 40,000 [11.7] | 27,800 [8.1] | 12,200 [3.6] | 13.00 | 15.50 | 76 | 1,250 [590] |
| | RCFL-H*4824(RGLT-10?BRM?) | 40,000 [11.7] | 27,800 [8.1] | 12,200 [3.6] | 13.00 | 15.50 | 76 | 1,250 [590] |
| | RCFL-H*4824(RGLT-12?ARM?) | 39,500 [11.6] | 26,750 [7.8] | 12,750 [3.7] | 13.00 | 16.00 | 76 | 1,150 [543] |
| | RCFL-H*4824(RGPE-07?BRQ?) | 40,000 [11.7] | 27,800 [8.1] | 12,200 [3.6] | 13.00 | 15.50 | 76 | 1,225 [578] |
| | RCFL-H*4824(RGPE-10?BRM?) | 40,000 [11.7] | 27,800 [8.1] | 12,200 [3.6] | 13.00 | 15.50 | 76 | 1,225 [578] |
| RCFL-H*4824(RGPE-12?ARM?) | 41,000 [12.0] | 29,800 [8.7] | 11,200 [3.3] | 12.50 | 15.50 | 76 | 1,425 [672] | |
| RCFL-H*4824(RGPT-07?BRQ?) | 40,000 [11.7] | 27,800 [8.1] | 12,200 [3.6] | 13.00 | 15.50 | 76 | 1,225 [578] | |
| RCFL-H*4824(RGPT-10?BRM?) | 40,000 [11.7] | 27,800 [8.1] | 12,200 [3.6] | 13.00 | 15.50 | 76 | 1,225 [578] | |
| RCFL-H*4824(RGPT-12?ARM?) | 40,000 [11.7] | 27,400 [8.0] | 12,600 [3.7] | 13.00 | 16.00 | 76 | 1,175 [554] | |
| RCFL-H*4824(RGRM-09?ZAJ?) | 40,000 [11.7] | 27,900 [8.2] | 12,100 [3.5] | 12.50 | 15.00 | 76 | 1,225 [578] | |
| RCFL-H*4824(RGRM-10?ZAJ?) | 39,500 [11.6] | 26,900 [7.9] | 12,600 [3.7] | 12.50 | 15.10 | 76 | 1,150 [543] | |
| RCFL-H*4824(RGRM-12?RAJ?) | 40,000 [11.7] | 27,850 [8.2] | 12,150 [3.6] | 12.50 | 15.10 | 76 | 1,225 [578] | |
| RCFL-H*4824(RGTM-07?RBG?) | 39,500 [11.6] | 26,700 [7.8] | 12,800 [3.8] | 12.50 | 15.50 | 76 | 1,125 [531] | |

① Highest sales volume tested combination required by D.O.E. test procedures.

[] Designates Metric Conversions

Performance Data @ AHRI Standard Conditions—Cooling

| Model Numbers | | 80°F [26.5°C] DB/67°F [19.5°C] WB Indoor Air 95°F [35°C] DB Outdoor Air | | | | | Sound Rating dB | Indoor CFM [L/s] |
|-----------------------|-----------------------------------|--|----------------------------|--------------------------|-------|-------|--------------------|---------------------|
| Outdoor Unit RAPM- | Indoor Coil and/or Air Handler | Total Capacity BTU/H [kW] | Net Sensible BTU/H [kW] | Net Latent BTU/H [kW] | EER | SEER | | |
| Rev. 6/14/12 | RCFL-H*4824(RGTM-09?ZAJ?) | 40,000 [11.7] | 27,850 [8.2] | 12,150 [3.6] | 12.50 | 15.10 | 76 | 1,250 [590] |
| | RCFL-H*4824(RGTM-10?RBJ?) | 39,500 [11.6] | 26,700 [7.8] | 12,800 [3.8] | 13.00 | 15.50 | 76 | 1,125 [531] |
| | RCFL-H*4824(RHWB-08WPX60A) | 40,500 [11.9] | 29,000 [8.5] | 11,500 [3.4] | 13.00 | 15.50 | 76 | 1,350 [637] |
| | RCFL-H*4824(RHWB-10WPX60A) | 41,000 [12.0] | 29,800 [8.7] | 11,200 [3.3] | 13.00 | 15.50 | 76 | 1,400 [661] |
| | RCFL-H*4824(ROCA-070E03) | 39,500 [11.6] | 27,150 [8.0] | 12,350 [3.6] | 12.50 | 15.10 | 76 | 1,200 [566] |
| | RCFL-H*4824(ROCA-070E04) | 39,500 [11.6] | 27,150 [8.0] | 12,350 [3.6] | 12.50 | 15.10 | 76 | 1,200 [566] |
| | RCFL-H*4824(ROLA-070E03) | 39,500 [11.6] | 26,950 [7.9] | 12,550 [3.7] | 12.50 | 15.50 | 76 | 1,175 [554] |
| | RCFL-H*4824(ROLA-070E04) | 39,500 [11.6] | 26,950 [7.9] | 12,550 [3.7] | 12.50 | 15.50 | 76 | 1,175 [554] |
| | RCFL-H*4824(ROLA-115E05) | 40,000 [11.7] | 27,550 [8.1] | 12,450 [3.6] | 13.00 | 15.50 | 76 | 1,200 [566] |
| | RCFL-H*4824+RXMD-C04 | 39,500 [11.6] | 27,500 [8.1] | 12,000 [3.5] | 12.00 | 14.50 | 76 | 1,250 [590] |
| 042JEZ | RCFN-H*4824(RGFE-09?ZCM?) | 43,500 [12.7] | 32,500 [9.5] | 11,000 [3.2] | 12.50 | 15.00 | 76 | 1,200 [566] |
| | RCFN-H*4824(RGFE-10?ZCM?) | 42,500 [12.5] | 30,500 [8.9] | 12,000 [3.5] | 13.00 | 15.50 | 76 | 1,225 [578] |
| | RCFN-H*4824(RGFE-12?RCM?) | 43,000 [12.6] | 30,950 [9.1] | 12,050 [3.5] | 13.00 | 16.00 | 76 | 1,225 [578] |
| | RCFN-H*4824(RGFG-09?ZCM?) | 44,000 [12.9] | 34,000 [10.0] | 10,000 [2.9] | 13.00 | 15.50 | 76 | 1,400 [661] |
| | RCFN-H*4824(RGFG-10?ZCM?) | 44,000 [12.9] | 34,050 [10.0] | 9,950 [2.9] | 12.50 | 15.10 | 76 | 1,400 [661] |
| | RCFN-H*4824(RGFG-12?RCM?) | 44,500 [13.0] | 34,800 [10.2] | 9,700 [2.8] | 13.00 | 15.50 | 76 | 1,450 [684] |
| | RCFN-H*4824(RGGE-09?ZCM?) | 43,000 [12.6] | 30,950 [9.1] | 12,050 [3.5] | 13.00 | 16.00 | 76 | 1,225 [578] |
| | RCFN-H*4824(RGGE-10?ZCM?) | 43,500 [12.7] | 32,500 [9.5] | 11,000 [3.2] | 12.50 | 15.00 | 76 | 1,200 [566] |
| | RCFN-H*4824(RGGE-12?RCM?) | 43,500 [12.7] | 32,500 [9.5] | 11,000 [3.2] | 13.00 | 15.50 | 76 | 1,375 [649] |
| | RCFN-H*4824(RGJF-09?ZCM?) | 43,000 [12.6] | 30,950 [9.1] | 12,050 [3.5] | 13.00 | 16.00 | 76 | 1,225 [578] |
| | RCFN-H*4824(RGJF-10?ZCM?) | 43,500 [12.7] | 32,500 [9.5] | 11,000 [3.2] | 12.50 | 15.00 | 76 | 1,200 [566] |
| | RCFN-H*4824(RGJF-12?RCM?) | 43,500 [12.7] | 32,500 [9.5] | 11,000 [3.2] | 13.00 | 15.50 | 76 | 1,375 [649] |
| | RCFN-H*4824(RGLE-07?BRQ?) | 43,000 [12.6] | 30,900 [9.1] | 12,100 [3.5] | 13.00 | 16.00 | 76 | 1,225 [578] |
| | RCFN-H*4824(RGLE-10?BRM?) | 44,000 [12.9] | 32,950 [9.7] | 11,050 [3.2] | 13.00 | 16.00 | 76 | 1,400 [661] |
| | RCFN-H*4824(RGLE-12?ARM?) | 43,000 [12.6] | 32,300 [9.5] | 10,700 [3.1] | 13.00 | 16.00 | 76 | 1,225 [578] |
| | RCFN-H*4824(RGLT-07?BRQ?) | 43,000 [12.6] | 31,050 [9.1] | 11,950 [3.5] | 13.00 | 16.00 | 76 | 1,250 [590] |
| | RCFN-H*4824(RGLT-10?BRM?) | 43,000 [12.6] | 31,050 [9.1] | 11,950 [3.5] | 13.00 | 16.00 | 76 | 1,250 [590] |
| | RCFN-H*4824(RGLT-12?ARM?) | 44,000 [12.9] | 32,950 [9.7] | 11,050 [3.2] | 13.00 | 16.00 | 76 | 1,400 [661] |
| | RCFN-H*4824(RGPE-07?BRQ?) | 43,000 [12.6] | 30,900 [9.1] | 12,100 [3.5] | 13.00 | 16.00 | 76 | 1,225 [578] |
| | RCFN-H*4824(RGPE-10?BRM?) | 43,000 [12.6] | 30,900 [9.1] | 12,100 [3.5] | 13.00 | 16.00 | 76 | 1,225 [578] |
| | RCFN-H*4824(RGPE-12?ARM?) | 43,500 [12.7] | 32,500 [9.5] | 11,000 [3.2] | 13.00 | 16.00 | 76 | 1,425 [672] |
| | RCFN-H*4824(RGPT-07?BRQ?) | 43,500 [12.7] | 31,950 [9.4] | 11,550 [3.4] | 13.00 | 16.00 | 76 | 1,325 [625] |
| | RCFN-H*4824(RGPT-12?ARM?) | 44,000 [12.9] | 32,950 [9.7] | 11,050 [3.2] | 13.00 | 16.00 | 76 | 1,375 [649] |
| | RCFN-H*4824(RGRM-09?ZAJ?) | 42,500 [12.5] | 30,100 [8.8] | 12,400 [3.6] | 13.00 | 15.50 | 76 | 1,225 [578] |
| | RCFN-H*4824(RGRM-12?RAJ?) | 42,500 [12.5] | 30,050 [8.8] | 12,450 [3.6] | 13.00 | 15.50 | 76 | 1,225 [578] |
| | RCFN-H*4824(RHWB-08WRX60A) | 44,500 [13.0] | 34,400 [10.1] | 10,100 [3.0] | 13.00 | 16.00 | 76 | 1,350 [637] |
| | RCFN-H*4824(RHWB-10WRX60A) | 44,500 [13.0] | 34,700 [10.2] | 9,800 [2.9] | 13.00 | 16.00 | 76 | 1,400 [661] |
| | RCFN-H*4824(ROLA-070E04) | 43,500 [12.7] | 32,500 [9.5] | 11,000 [3.2] | 13.00 | 15.50 | 76 | 1,375 [649] |
| | RCFN-H*4824(ROLA-115E05) | 43,500 [12.7] | 32,500 [9.5] | 11,000 [3.2] | 13.00 | 15.50 | 76 | 1,400 [661] |
| | RCFN-H*4824+RXMD-C04 | 42,000 [12.3] | 29,800 [8.7] | 12,200 [3.6] | 12.50 | 15.00 | 76 | 1,200 [566] |
| | RBHP-24(RCHL-48A1) | 39,500 [11.6] | 27,200 [8.0] | 12,300 [3.6] | 12.50 | 15.00 | 76 | 1,400 [661] |
| | RCQD-4821(RGFE-06?MCK?) | 39,500 [11.6] | 27,400 [8.0] | 12,100 [3.5] | 11.50 | 14.00 | 76 | 1,200 [566] |
| | RCQD-4821(RGFE-09?ZCM?) | 40,500 [11.9] | 29,450 [8.6] | 11,050 [3.2] | 11.50 | 14.00 | 76 | 1,400 [661] |
| | RCQD-4821(RGFE-10?ZCM?) | 40,500 [11.9] | 29,600 [8.7] | 10,900 [3.2] | 12.00 | 14.00 | 76 | 1,425 [672] |
| | RCQD-4821(RGFG-09?ZCM?) | 39,500 [11.6] | 27,400 [8.0] | 12,100 [3.5] | 12.50 | 15.00 | 76 | 1,200 [566] |
| | RCQD-4821(RGFG-10?ZCM?) | 39,500 [11.6] | 27,400 [8.0] | 12,100 [3.5] | 12.00 | 14.50 | 76 | 1,200 [566] |
| | RCQD-4821(RGJF-06?MCK?) | 40,000 [11.7] | 27,850 [8.2] | 12,150 [3.6] | 12.00 | 14.50 | 76 | 1,200 [566] |
| | RCQD-4821(RGJF-07?MCK?) | 39,500 [11.6] | 27,350 [8.0] | 12,150 [3.6] | 12.00 | 14.00 | 76 | 1,200 [566] |

① Highest sales volume tested combination required by D.O.E. test procedures.

[] Designates Metric Conversions

Performance Data @ AHRI Standard Conditions—Cooling

| Model Numbers | | 80°F [26.5°C] DB/67°F [19.5°C] WB Indoor Air 95°F [35°C] DB Outdoor Air | | | | | Sound Rating dB | Indoor CFM [L/s] |
|-----------------------|-----------------------------------|--|----------------------------|--------------------------|-------|-------|--------------------|------------------|
| Outdoor Unit RAPM- | Indoor Coil and/or Air Handler | Total Capacity BTU/H [kW] | Net Sensible BTU/H [kW] | Net Latent BTU/H [kW] | EER | SEER | | |
| Rev. 6/14/12 | RCQD-4821(RGJF-09?ZCM?) | 40,000 [11.7] | 27,900 [8.2] | 12,100 [3.5] | 12.50 | 15.00 | 76 | 1,225 [578] |
| | RCQD-4821(RGJF-10?ZCM?) | 40,000 [11.7] | 27,750 [8.1] | 12,250 [3.6] | 12.50 | 15.00 | 76 | 1,200 [566] |
| | RCQD-4821(RGPE-05?BMK?) | 39,500 [11.6] | 27,350 [8.0] | 12,150 [3.6] | 12.00 | 14.50 | 76 | 1,200 [566] |
| | RCQD-4821(RGPE-07?AMK?) | 40,000 [11.7] | 27,950 [8.2] | 12,050 [3.5] | 12.00 | 14.50 | 76 | 1,225 [578] |
| | RCQD-4821(RGPE-07?BRQ?) | 40,500 [11.9] | 28,350 [8.3] | 12,150 [3.6] | 12.50 | 15.10 | 76 | 1,225 [578] |
| | RCQD-4821(RGPE-10?BRM?) | 40,500 [11.9] | 28,350 [8.3] | 12,150 [3.6] | 12.50 | 15.50 | 76 | 1,225 [578] |
| | RCQD-4821(RGPT-05?BMK?) | 40,000 [11.7] | 28,150 [8.2] | 11,850 [3.5] | 12.00 | 14.00 | 76 | 1,250 [590] |
| | RCQD-4821(RGPT-07?AMK?) | 40,000 [11.7] | 28,100 [8.2] | 11,900 [3.5] | 12.00 | 14.50 | 76 | 1,250 [590] |
| | RCQD-4821(RGPT-07?BRQ?) | 40,500 [11.9] | 28,500 [8.4] | 12,000 [3.5] | 13.00 | 15.00 | 76 | 1,250 [590] |
| | RCQD-4821(RGPT-10?BRM?) | 40,500 [11.9] | 28,500 [8.4] | 12,000 [3.5] | 13.00 | 15.50 | 76 | 1,250 [590] |
| | RCQD-4821(RGRM-09?ZAJ?) | 40,000 [11.7] | 30,200 [8.8] | 9,800 [2.9] | 11.50 | 14.00 | 76 | 1,225 [578] |
| | RCQD-4821(RGRM-10?ZAJ?) | 39,500 [11.6] | 29,250 [8.6] | 10,250 [3.0] | 11.50 | 14.00 | 76 | 1,150 [543] |
| | RCQD-4821(RHWB-04WMX36A) | 39,500 [11.6] | 27,600 [8.1] | 11,900 [3.5] | 12.50 | 15.10 | 76 | 1,200 [566] |
| | RCQD-4821(RHWB-06WMX48A) | 39,500 [11.6] | 27,600 [8.1] | 11,900 [3.5] | 12.50 | 15.10 | 76 | 1,200 [566] |
| | RCQD-4821(ROCA-070E03) | 40,000 [11.7] | 27,800 [8.1] | 12,200 [3.6] | 12.00 | 14.50 | 76 | 1,200 [566] |
| | RCQD-4821(ROCA-070E04) | 40,000 [11.7] | 27,800 [8.1] | 12,200 [3.6] | 12.00 | 14.50 | 76 | 1,200 [566] |
| | RCQD-4821(ROLA-070E03) | 40,000 [11.7] | 27,600 [8.1] | 12,400 [3.6] | 12.50 | 15.10 | 76 | 1,175 [554] |
| | RCQD-4821(ROLA-070E04) | 40,000 [11.7] | 27,600 [8.1] | 12,400 [3.6] | 12.50 | 15.10 | 76 | 1,175 [554] |
| | RCQD-4821(ROLA-115E05) | 40,000 [11.7] | 27,700 [8.1] | 12,300 [3.6] | 12.50 | 15.10 | 76 | 1,200 [566] |
| | RCQD-4821+RXMD-C04 | 39,500 [11.6] | 27,800 [8.1] | 11,700 [3.4] | 11.50 | 14.00 | 76 | 1,255 [592] |
| 042JEZ | RCQD-4824(RGFE-09?ZCM?) | 40,000 [11.7] | 27,750 [8.1] | 12,250 [3.6] | 12.50 | 15.00 | 76 | 1,200 [566] |
| | RCQD-4824(RGFE-10?ZCM?) | 40,000 [11.7] | 27,900 [8.2] | 12,100 [3.5] | 12.00 | 14.50 | 76 | 1,225 [578] |
| | RCQD-4824(RGFE-12?RCM?) | 40,500 [11.9] | 28,350 [8.3] | 12,150 [3.6] | 12.50 | 15.00 | 76 | 1,225 [578] |
| | RCQD-4824(RGFG-09?ZCM?) | 39,500 [11.6] | 27,400 [8.0] | 12,100 [3.5] | 12.50 | 15.10 | 76 | 1,200 [566] |
| | RCQD-4824(RGFG-10?ZCM?) | 39,500 [11.6] | 27,400 [8.0] | 12,100 [3.5] | 12.50 | 15.10 | 76 | 1,200 [566] |
| | RCQD-4824(RGFG-12?RCM?) | 40,000 [11.7] | 28,100 [8.2] | 11,900 [3.5] | 13.00 | 15.50 | 76 | 1,225 [578] |
| | RCQD-4824(RGJF-09?ZCM?) | 40,000 [11.7] | 27,850 [8.2] | 12,150 [3.6] | 12.50 | 15.00 | 76 | 1,225 [578] |
| | RCQD-4824(RGJF-10?ZCM?) | 40,500 [11.9] | 29,400 [8.6] | 11,100 [3.3] | 12.00 | 14.50 | 76 | 1,400 [661] |
| | RCQD-4824(RGJF-12?RCM?) | 40,000 [11.7] | 27,700 [8.1] | 12,300 [3.6] | 12.50 | 15.50 | 76 | 1,200 [566] |
| | RCQD-4824(RGPE-07?BRQ?) | 40,500 [11.9] | 28,300 [8.3] | 12,200 [3.6] | 12.50 | 15.50 | 76 | 1,225 [578] |
| | RCQD-4824(RGPE-10?BRM?) | 40,500 [11.9] | 28,300 [8.3] | 12,200 [3.6] | 12.50 | 15.50 | 76 | 1,225 [578] |
| | RCQD-4824(RGPE-12?ARM?) | 40,500 [11.9] | 28,150 [8.2] | 12,350 [3.6] | 13.00 | 15.50 | 76 | 1,200 [566] |
| | RCQD-4824(RGPT-07?BRQ?) | 40,500 [11.9] | 28,500 [8.4] | 12,000 [3.5] | 13.00 | 15.50 | 76 | 1,275 [602] |
| | RCQD-4824(RGPT-10?BRM?) | 40,500 [11.9] | 28,450 [8.3] | 12,050 [3.5] | 13.00 | 15.50 | 76 | 1,275 [602] |
| | RCQD-4824(RGPT-12?ARM?) | 40,500 [11.9] | 28,300 [8.3] | 12,200 [3.6] | 13.00 | 15.50 | 76 | 1,225 [578] |
| | RCQD-4824(RGRM-09?ZAJ?) | 39,500 [11.6] | 29,900 [8.8] | 9,600 [2.8] | 11.50 | 14.00 | 76 | 1,225 [578] |
| | RCQD-4824(RGRM-10?ZAJ?) | 39,500 [11.6] | 29,450 [8.6] | 10,050 [2.9] | 11.50 | 14.00 | 76 | 1,150 [543] |
| | RCQD-4824(RGRM-12?RAJ?) | 40,000 [11.7] | 30,350 [8.9] | 9,650 [2.8] | 12.00 | 14.50 | 76 | 1,225 [578] |
| | RCQD-4824(RHWB-08WRX60A) | 41,000 [12.0] | 30,100 [8.8] | 10,900 [3.2] | 13.00 | 15.50 | 76 | 1,400 [661] |
| | RCQD-4824(ROCA-070E03) | 40,000 [11.7] | 27,750 [8.1] | 12,250 [3.6] | 12.50 | 15.00 | 76 | 1,200 [566] |
| | RCQD-4824(ROCA-070E04) | 40,000 [11.7] | 27,750 [8.1] | 12,250 [3.6] | 12.50 | 15.00 | 76 | 1,200 [566] |
| | RCQD-4824(ROLA-070E03) | 40,000 [11.7] | 27,600 [8.1] | 12,400 [3.6] | 12.50 | 15.10 | 76 | 1,175 [554] |
| | RCQD-4824(ROLA-070E04) | 40,000 [11.7] | 27,600 [8.1] | 12,400 [3.6] | 12.50 | 15.10 | 76 | 1,175 [554] |
| | RCQD-4824(ROLA-115E05) | 40,000 [11.7] | 27,700 [8.1] | 12,300 [3.6] | 13.00 | 15.50 | 76 | 1,200 [566] |
| | RCQD-4824+RXMD-C04 | 39,500 [11.6] | 27,800 [8.1] | 11,700 [3.4] | 11.50 | 14.00 | 76 | 1,255 [592] |
| | RHKL-HM3821(RCSL-H*3821) | 41,000 [12.0] | 28,250 [8.3] | 12,750 [3.7] | 13.00 | 16.00 | 76 | 1,200 [566] |

① Highest sales volume tested combination required by D.O.E. test procedures.

[] Designates Metric Conversions

Performance Data @ AHRI Standard Conditions—Cooling

| Model Numbers | | 80°F [26.5°C] DB/67°F [19.5°C] WB Indoor Air 95°F [35°C] DB Outdoor Air | | | | | Sound Rating dB | Indoor CFM [L/s] |
|-------------------------------|-----------------------------------|--|----------------------------|--------------------------|-------|-------|--------------------|---------------------|
| Outdoor Unit RAPM- | Indoor Coil and/or Air Handler | Total Capacity BTU/H [kW] | Net Sensible BTU/H [kW] | Net Latent BTU/H [kW] | EER | SEER | | |
| Rev. 6/14/12 042JEZ | RHLL-HM3821(RCSL-H*3821) | 41,000 [12.0] | 28,800 [8.4] | 12,200 [3.6] | 13.00 | 16.00 | 76 | 1,220 [576] |
| | RHKL-HM4821(RCSL-H*4821) | 41,000 [12.0] | 29,600 [8.7] | 11,400 [3.3] | 13.00 | 15.50 | 76 | 1,400 [661] |
| | RHLL-HM4821(RCSL-H*4821) | 41,000 [12.0] | 29,600 [8.7] | 11,400 [3.3] | 13.00 | 15.50 | 76 | 1,400 [661] |
| | RHSL-HM4221(RCSL-H*4821) | 40,000 [11.7] | 28,550 [8.4] | 11,450 [3.4] | 12.00 | 14.50 | 76 | 1,350 [637] |
| | RHPN-HM3624(RCSN-H*3624) | 43,000 [12.6] | 30,450 [8.9] | 12,550 [3.7] | 13.00 | 16.00 | 76 | 1,200 [566] |
| 048JEZ | RCFL-H*4821+RXMD-C04 ① | 47,500 [13.9] | 33,350 [9.8] | 14,150 [4.1] | 12.00 | 14.50 | 76 | 1,575 [743] |
| | RCFL-A*4821(RGFE-09?ZCM?) | 47,000 [13.8] | 31,650 [9.3] | 15,350 [4.5] | 12.00 | 14.50 | 76 | 1,400 [661] |
| | RCFL-A*4821(RGFG-09?ZCM?) | 47,000 [13.8] | 31,600 [9.3] | 15,400 [4.5] | 12.00 | 14.50 | 76 | 1,400 [661] |
| | RCFL-A*4821(RGGE-09?ZCM?) | 47,000 [13.8] | 31,600 [9.3] | 15,400 [4.5] | 12.50 | 14.50 | 76 | 1,400 [661] |
| | RCFL-A*4821(RGGE-10?ZCM?) | 47,000 [13.8] | 31,650 [9.3] | 15,350 [4.5] | 12.00 | 14.50 | 76 | 1,400 [661] |
| | RCFL-A*4821(RGLE-10?BRM?) | 47,500 [13.9] | 32,000 [9.4] | 15,500 [4.5] | 12.50 | 15.10 | 76 | 1,400 [661] |
| | RCFL-A*4821(RGLT-07?AMK?) | 46,500 [13.6] | 30,650 [9.0] | 15,850 [4.6] | 12.00 | 14.50 | 76 | 1,325 [625] |
| | RCFL-A*4821(RGLT-07?BRQ?) | 47,500 [13.9] | 32,200 [9.4] | 15,300 [4.5] | 12.50 | 15.10 | 76 | 1,425 [672] |
| | RCFL-A*4821(RGLT-10?BRM?) | 47,500 [13.9] | 32,050 [9.4] | 15,450 [4.5] | 12.50 | 15.10 | 76 | 1,400 [661] |
| | RCFL-A*4821(RGPE-07?BRQ?) | 47,500 [13.9] | 32,050 [9.4] | 15,450 [4.5] | 12.50 | 15.10 | 76 | 1,400 [661] |
| | RCFL-A*4821(RGPE-10?BRM?) | 47,500 [13.9] | 32,050 [9.4] | 15,450 [4.5] | 12.50 | 15.10 | 76 | 1,400 [661] |
| | RCFL-A*4821(RGPT-07?AMK?) | 46,500 [13.6] | 30,700 [9.0] | 15,800 [4.6] | 12.00 | 14.50 | 76 | 1,325 [625] |
| | RCFL-A*4821(RGPT-07?BRQ?) | 47,500 [13.9] | 32,150 [9.4] | 15,350 [4.5] | 12.50 | 15.00 | 76 | 1,425 [672] |
| | RCFL-A*4821(RGPT-10?BRM?) | 47,500 [13.9] | 32,150 [9.4] | 15,350 [4.5] | 12.50 | 15.50 | 76 | 1,425 [672] |
| | RCFL-A*4821(RGTM-07?RBG?) | 47,500 [13.9] | 32,600 [9.6] | 14,900 [4.4] | 12.50 | 14.50 | 76 | 1,475 [696] |
| | RCFL-A*4821(RGTM-09?ZAJ?) | 47,000 [13.8] | 31,600 [9.3] | 15,400 [4.5] | 12.50 | 14.50 | 76 | 1,400 [661] |
| | RCFL-A*4821(ROLA-070E04) | 47,000 [13.8] | 31,400 [9.2] | 15,600 [4.6] | 12.50 | 15.10 | 76 | 1,375 [649] |
| | RCFL-A*4821(ROLA-115E05) | 47,000 [13.8] | 31,550 [9.2] | 15,450 [4.5] | 12.50 | 15.10 | 76 | 1,400 [661] |
| | RCFL-A*4821+RXMD-C04 | 47,500 [13.9] | 33,350 [9.8] | 14,150 [4.1] | 12.00 | 14.50 | 76 | 1,575 [743] |
| | RCFL-A*4824(RGFE-09?ZCM?) | 47,000 [13.8] | 31,650 [9.3] | 15,350 [4.5] | 12.00 | 14.50 | 76 | 1,400 [661] |
| | RCFL-A*4824(RGFE-12?RCM?) | 47,500 [13.9] | 32,400 [9.5] | 15,100 [4.4] | 12.50 | 15.00 | 76 | 1,450 [684] |
| | RCFL-A*4824(RGFG-10?ZCM?) | 47,000 [13.8] | 31,600 [9.3] | 15,400 [4.5] | 12.00 | 14.50 | 76 | 1,400 [661] |
| | RCFL-A*4824(RGFG-12?RCM?) | 47,000 [13.8] | 32,200 [9.4] | 14,800 [4.3] | 12.50 | 15.00 | 76 | 1,450 [684] |
| | RCFL-A*4824(RGGE-09?ZCM?) | 47,000 [13.8] | 31,600 [9.3] | 15,400 [4.5] | 12.00 | 14.50 | 76 | 1,400 [661] |
| | RCFL-A*4824(RGGE-12?RCM?) | 47,000 [13.8] | 31,350 [9.2] | 15,650 [4.6] | 12.50 | 15.10 | 76 | 1,375 [649] |
| | RCFL-A*4824(RGLE-10?BRM?) | 47,500 [13.9] | 32,000 [9.4] | 15,500 [4.5] | 12.50 | 15.10 | 76 | 1,400 [661] |
| | RCFL-A*4824(RGLE-12?ARM?) | 47,500 [13.9] | 32,150 [9.4] | 15,350 [4.5] | 12.50 | 15.10 | 76 | 1,425 [672] |
| | RCFL-A*4824(RGLT-07?BRQ?) | 47,500 [13.9] | 32,200 [9.4] | 15,300 [4.5] | 12.50 | 15.10 | 76 | 1,425 [672] |
| | RCFL-A*4824(RGLT-10?BRM?) | 47,500 [13.9] | 32,050 [9.4] | 15,450 [4.5] | 12.50 | 15.10 | 76 | 1,400 [661] |
| | RCFL-A*4824(RGLT-12?ARM?) | 47,500 [13.9] | 31,650 [9.3] | 15,850 [4.6] | 13.00 | 15.50 | 76 | 1,350 [637] |
| | RCFL-A*4824(RGPE-07?BRQ?) | 47,500 [13.9] | 32,050 [9.4] | 15,450 [4.5] | 12.50 | 15.10 | 76 | 1,400 [661] |
| | RCFL-A*4824(RGPE-10?BRM?) | 47,500 [13.9] | 32,050 [9.4] | 15,450 [4.5] | 12.50 | 15.10 | 76 | 1,400 [661] |
| | RCFL-A*4824(RGPE-12?ARM?) | 47,500 [13.9] | 32,150 [9.4] | 15,350 [4.5] | 12.50 | 15.10 | 76 | 1,425 [672] |
| | RCFL-A*4824(RGPT-07?BRQ?) | 48,500 [14.2] | 34,100 [10.0] | 14,400 [4.2] | 13.00 | 15.50 | 76 | 1,550 [731] |
| | RCFL-A*4824(RGPT-10?BRM?) | 47,500 [13.9] | 32,000 [9.4] | 15,500 [4.5] | 12.50 | 15.10 | 76 | 1,400 [661] |
| | RCFL-A*4824(RGPT-12?ARM?) | 47,500 [13.9] | 31,650 [9.3] | 15,850 [4.6] | 13.00 | 15.50 | 76 | 1,350 [637] |
| RCFL-A*4824(RGTM-07?RBG?) | 47,500 [13.9] | 32,600 [9.6] | 14,900 [4.4] | 12.50 | 14.50 | 76 | 1,475 [696] | |
| RCFL-A*4824(RGTM-09?ZAJ?) | 47,000 [13.8] | 31,600 [9.3] | 15,400 [4.5] | 12.50 | 14.50 | 76 | 1,400 [661] | |
| RCFL-A*4824(RGTM-10?BRJ?) | 47,500 [13.9] | 32,200 [9.4] | 15,300 [4.5] | 12.50 | 15.10 | 76 | 1,425 [672] | |
| RCFL-A*4824(RHWP-08WRX60A) | 47,500 [13.9] | 32,500 [9.5] | 15,000 [4.4] | 12.50 | 15.10 | 76 | 1,450 [684] | |
| RCFL-A*4824(RHWP-10WRX60A) | 48,000 [14.1] | 33,200 [9.7] | 14,800 [4.3] | 13.00 | 15.50 | 76 | 1,475 [696] | |
| RCFL-A*4824(ROLA-070E04) | 47,000 [13.8] | 31,400 [9.2] | 15,600 [4.6] | 12.50 | 15.10 | 76 | 1,375 [649] | |
| RCFL-A*4824(ROLA-115E05) | 47,500 [13.9] | 32,800 [9.6] | 14,700 [4.3] | 12.00 | 14.50 | 76 | 1,500 [708] | |

① Highest sales volume tested combination required by D.O.E. test procedures.

[] Designates Metric Conversions

Performance Data @ AHRI Standard Conditions—Cooling

| Model Numbers | | 80°F [26.5°C] DB/67°F [19.5°C] WB Indoor Air 95°F [35°C] DB Outdoor Air | | | | | Sound Rating dB | Indoor CFM [L/s] |
|----------------------------|-----------------------------------|--|----------------------------|--------------------------|-------|-------|--------------------|------------------|
| Outdoor Unit RAPM- | Indoor Coil and/or Air Handler | Total Capacity BTU/H [kW] | Net Sensible BTU/H [kW] | Net Latent BTU/H [kW] | EER | SEER | | |
| Rev. 6/14/12 | RCFL-A*4824+RXMD-C04 | 47,500 [13.9] | 33,350 [9.8] | 14,150 [4.1] | 12.00 | 14.50 | 76 | 1,575 [743] |
| | RCFL-H*4821(RGFE-09?ZCM?) | 47,000 [13.8] | 31,650 [9.3] | 15,350 [4.5] | 12.00 | 14.50 | 76 | 1,400 [661] |
| | RCFL-H*4821(RGFG-09?ZCM?) | 47,000 [13.8] | 31,600 [9.3] | 15,400 [4.5] | 12.00 | 14.50 | 76 | 1,400 [661] |
| | RCFL-H*4821(RGFG-10?ZCM?) | 47,000 [13.8] | 31,600 [9.3] | 15,400 [4.5] | 12.00 | 14.50 | 76 | 1,400 [661] |
| | RCFL-H*4821(RGGE-09?ZCM?) | 47,000 [13.8] | 31,600 [9.3] | 15,400 [4.5] | 12.00 | 14.50 | 76 | 1,400 [661] |
| | RCFL-H*4821(RGGE-10?ZCM?) | 47,000 [13.8] | 31,650 [9.3] | 15,350 [4.5] | 12.00 | 14.50 | 76 | 1,400 [661] |
| | RCFL-H*4821(RGJF-09?ZCM?) | 47,000 [13.8] | 31,600 [9.3] | 15,400 [4.5] | 12.00 | 14.50 | 76 | 1,400 [661] |
| | RCFL-H*4821(RGJF-10?ZCM?) | 47,000 [13.8] | 31,650 [9.3] | 15,350 [4.5] | 12.00 | 14.50 | 76 | 1,400 [661] |
| | RCFL-H*4821(RGLE-10?BRM?) | 47,500 [13.9] | 32,000 [9.4] | 15,500 [4.5] | 12.50 | 15.10 | 76 | 1,400 [661] |
| | RCFL-H*4821(RGLT-07?AMK?) | 46,500 [13.6] | 30,650 [9.0] | 15,850 [4.6] | 12.00 | 14.50 | 76 | 1,325 [625] |
| | RCFL-H*4821(RGLT-07?BRQ?) | 47,500 [13.9] | 32,200 [9.4] | 15,300 [4.5] | 12.50 | 15.10 | 76 | 1,425 [672] |
| | RCFL-H*4821(RGLT-10?BRM?) | 47,500 [13.9] | 32,050 [9.4] | 15,450 [4.5] | 12.50 | 15.10 | 76 | 1,400 [661] |
| | RCFL-H*4821(RGPE-07?BRQ?) | 47,500 [13.9] | 32,050 [9.4] | 15,450 [4.5] | 12.50 | 15.10 | 76 | 1,400 [661] |
| | RCFL-H*4821(RGPE-10?BRM?) | 47,500 [13.9] | 32,050 [9.4] | 15,450 [4.5] | 12.50 | 15.10 | 76 | 1,400 [661] |
| | RCFL-H*4821(RGPT-07?AMK?) | 46,500 [13.6] | 30,700 [9.0] | 15,800 [4.6] | 12.00 | 14.50 | 76 | 1,325 [625] |
| | RCFL-H*4821(RGPT-07?BRQ?) | 47,500 [13.9] | 32,150 [9.4] | 15,350 [4.5] | 12.50 | 15.00 | 76 | 1,425 [672] |
| | RCFL-H*4821(RGPT-10?BRM?) | 47,500 [13.9] | 32,150 [9.4] | 15,350 [4.5] | 12.50 | 15.50 | 76 | 1,425 [672] |
| | RCFL-H*4821(RGRM-09?ZAJ?) | 47,000 [13.8] | 31,700 [9.3] | 15,300 [4.5] | 12.00 | 14.50 | 76 | 1,400 [661] |
| | RCFL-H*4821(RGTM-07?RBG?) | 47,500 [13.9] | 32,600 [9.6] | 14,900 [4.4] | 12.50 | 14.50 | 76 | 1,475 [696] |
| | RCFL-H*4821(RGTM-09?ZAJ?) | 47,000 [13.8] | 31,600 [9.3] | 15,400 [4.5] | 12.50 | 14.50 | 76 | 1,400 [661] |
| | RCFL-H*4821(ROLA-070E04) | 47,000 [13.8] | 31,400 [9.2] | 15,600 [4.6] | 12.50 | 15.10 | 76 | 1,375 [649] |
| | RCFL-H*4821(ROLA-115E05) | 47,000 [13.8] | 31,550 [9.2] | 15,450 [4.5] | 12.50 | 15.10 | 76 | 1,400 [661] |
| | RCFL-H*4824(RGFE-09?ZCM?) | 47,000 [13.8] | 31,650 [9.3] | 15,350 [4.5] | 12.00 | 14.50 | 76 | 1,400 [661] |
| | RCFL-H*4824(RGFE-12?RCM?) | 47,500 [13.9] | 32,400 [9.5] | 15,100 [4.4] | 12.50 | 15.00 | 76 | 1,450 [684] |
| | RCFL-H*4824(RGFG-12?RCM?) | 47,000 [13.8] | 32,200 [9.4] | 14,800 [4.3] | 12.50 | 15.00 | 76 | 1,450 [684] |
| | RCFL-H*4824(RGGE-09?ZCM?) | 47,000 [13.8] | 31,600 [9.3] | 15,400 [4.5] | 12.00 | 14.50 | 76 | 1,400 [661] |
| | RCFL-H*4824(RGGE-10?ZCM?) | 47,000 [13.8] | 31,650 [9.3] | 15,350 [4.5] | 12.00 | 14.50 | 76 | 1,400 [661] |
| | RCFL-H*4824(RGGE-12?RCM?) | 47,000 [13.8] | 31,350 [9.2] | 15,650 [4.6] | 12.50 | 15.10 | 76 | 1,375 [649] |
| | RCFL-H*4824(RGJF-09?ZCM?) | 47,000 [13.8] | 31,600 [9.3] | 15,400 [4.5] | 12.00 | 14.50 | 76 | 1,400 [661] |
| | RCFL-H*4824(RGJF-10?ZCM?) | 47,000 [13.8] | 31,650 [9.3] | 15,350 [4.5] | 12.00 | 14.50 | 76 | 1,400 [661] |
| | RCFL-H*4824(RGJF-12?RCM?) | 47,000 [13.8] | 31,350 [9.2] | 15,650 [4.6] | 12.50 | 15.10 | 76 | 1,375 [649] |
| | RCFL-H*4824(RGLE-10?BRM?) | 47,500 [13.9] | 32,000 [9.4] | 15,500 [4.5] | 12.50 | 15.10 | 76 | 1,400 [661] |
| | RCFL-H*4824(RGLE-12?ARM?) | 47,500 [13.9] | 32,150 [9.4] | 15,350 [4.5] | 12.50 | 15.10 | 76 | 1,425 [672] |
| | RCFL-H*4824(RGLT-07?BRQ?) | 47,500 [13.9] | 32,200 [9.4] | 15,300 [4.5] | 12.50 | 15.10 | 76 | 1,425 [672] |
| | RCFL-H*4824(RGLT-10?BRM?) | 47,500 [13.9] | 32,050 [9.4] | 15,450 [4.5] | 12.50 | 15.10 | 76 | 1,400 [661] |
| | RCFL-H*4824(RGLT-12?ARM?) | 47,500 [13.9] | 31,650 [9.3] | 15,850 [4.6] | 13.00 | 15.50 | 76 | 1,350 [637] |
| | RCFL-H*4824(RGPE-07?BRQ?) | 47,500 [13.9] | 32,050 [9.4] | 15,450 [4.5] | 12.50 | 15.10 | 76 | 1,400 [661] |
| | RCFL-H*4824(RGPE-10?BRM?) | 47,500 [13.9] | 32,050 [9.4] | 15,450 [4.5] | 12.50 | 15.10 | 76 | 1,400 [661] |
| | RCFL-H*4824(RGPE-12?ARM?) | 47,500 [13.9] | 32,150 [9.4] | 15,350 [4.5] | 12.50 | 15.10 | 76 | 1,425 [672] |
| | RCFL-H*4824(RGPT-07?BRQ?) | 48,500 [14.2] | 34,100 [10.0] | 14,400 [4.2] | 13.00 | 15.50 | 76 | 1,550 [731] |
| RCFL-H*4824(RGPT-10?BRM?) | 47,500 [13.9] | 32,000 [9.4] | 15,500 [4.5] | 12.50 | 15.10 | 76 | 1,400 [661] | |
| RCFL-H*4824(RGPT-12?ARM?) | 47,500 [13.9] | 31,650 [9.3] | 15,850 [4.6] | 13.00 | 15.50 | 76 | 1,350 [637] | |
| RCFL-H*4824(RGRM-12?RAJ?) | 47,000 [13.8] | 31,750 [9.3] | 15,250 [4.5] | 12.00 | 14.50 | 76 | 1,425 [672] | |
| RCFL-H*4824(RGTM-07?RBG?) | 47,500 [13.9] | 32,600 [9.6] | 14,900 [4.4] | 12.50 | 14.50 | 76 | 1,475 [696] | |
| RCFL-H*4824(RGTM-09?ZAJ?) | 47,000 [13.8] | 31,600 [9.3] | 15,400 [4.5] | 12.50 | 14.50 | 76 | 1,400 [661] | |
| RCFL-H*4824(RGTM-10?RBJ?) | 47,500 [13.9] | 32,200 [9.4] | 15,300 [4.5] | 12.50 | 15.10 | 76 | 1,425 [672] | |
| RCFL-H*4824(RHWP-08WRX60A) | 47,500 [13.9] | 32,500 [9.5] | 15,000 [4.4] | 12.50 | 15.10 | 76 | 1,450 [684] | |
| RCFL-H*4824(RHWP-10WRX60A) | 48,000 [14.1] | 33,200 [9.7] | 14,800 [4.3] | 13.00 | 15.50 | 76 | 1,475 [696] | |

① Highest sales volume tested combination required by D.O.E. test procedures.

[] Designates Metric Conversions

Performance Data @ AHRI Standard Conditions—Cooling

| Model Numbers | | 80°F [26.5°C] DB/67°F [19.5°C] WB Indoor Air 95°F [35°C] DB Outdoor Air | | | | | Sound Rating dB | Indoor CFM [L/s] |
|-------------------------|-----------------------------------|--|----------------------------|--------------------------|-------|-------|--------------------|---------------------|
| Outdoor Unit RAPM- | Indoor Coil and/or Air Handler | Total Capacity BTU/H [kW] | Net Sensible BTU/H [kW] | Net Latent BTU/H [kW] | EER | SEER | | |
| Rev. 6/14/12 | RCFL-H*4824(ROLA-070E04) | 47,000 [13.8] | 31,400 [9.2] | 15,600 [4.6] | 12.50 | 15.10 | 76 | 1,375 [649] |
| | RCFL-H*4824(ROLA-115E05) | 47,500 [13.9] | 32,800 [9.6] | 14,700 [4.3] | 12.00 | 14.50 | 76 | 1,500 [708] |
| 048JEZ | RCFL-H*4824+RXMD-C04 | 47,500 [13.9] | 33,350 [9.8] | 14,150 [4.1] | 12.00 | 14.50 | 76 | 1,575 [743] |
| | RCFN-H*4824(RGFE-12?RCM?) | 50,500 [14.8] | 36,050 [10.6] | 14,450 [4.2] | 13.00 | 16.00 | 76 | 1,450 [684] |
| | RCFN-H*4824(RGFG-09?ZCM?) | 49,500 [14.5] | 35,250 [10.3] | 14,250 [4.2] | 13.00 | 15.50 | 76 | 1,400 [661] |
| | RCFN-H*4824(RGFG-10?ZCM?) | 49,500 [14.5] | 35,250 [10.3] | 14,250 [4.2] | 12.50 | 15.50 | 76 | 1,400 [661] |
| | RCFN-H*4824(RGFG-12?RCM?) | 50,000 [14.6] | 36,000 [10.5] | 14,000 [4.1] | 13.00 | 15.50 | 76 | 1,450 [684] |
| | RCFN-H*4824(RGGE-12?RCM?) | 51,500 [15.1] | 37,950 [11.1] | 13,550 [4.0] | 13.00 | 15.50 | 76 | 1,575 [743] |
| | RCFN-H*4824(RGJF-12?RCM?) | 51,500 [15.1] | 37,950 [11.1] | 13,550 [4.0] | 13.00 | 15.50 | 76 | 1,575 [743] |
| | RCFN-H*4824(RGLE-07?BRQ?) | 51,500 [15.1] | 38,150 [11.2] | 13,350 [3.9] | 13.00 | 15.50 | 76 | 1,600 [755] |
| | RCFN-H*4824(RGLE-10?BRM?) | 51,500 [15.1] | 38,100 [11.2] | 13,400 [3.9] | 13.00 | 16.00 | 76 | 1,600 [755] |
| | RCFN-H*4824(RGLE-12?ARM?) | 51,500 [15.1] | 38,100 [11.2] | 13,400 [3.9] | 13.00 | 16.00 | 76 | 1,600 [755] |
| | RCFN-H*4824(RGLT-07?BRQ?) | 50,000 [14.6] | 35,750 [10.5] | 14,250 [4.2] | 13.00 | 15.50 | 76 | 1,450 [684] |
| | RCFN-H*4824(RGLT-10?BRM?) | 50,000 [14.6] | 35,750 [10.5] | 14,250 [4.2] | 13.00 | 15.50 | 76 | 1,450 [684] |
| | RCFN-H*4824(RGLT-12?ARM?) | 51,000 [14.9] | 38,600 [11.3] | 12,400 [3.6] | 12.50 | 15.10 | 76 | 1,700 [802] |
| | RCFN-H*4824(RGPE-07?BRQ?) | 51,500 [15.1] | 38,150 [11.2] | 13,350 [3.9] | 13.00 | 15.50 | 76 | 1,600 [755] |
| | RCFN-H*4824(RGPE-10?BRM?) | 51,500 [15.1] | 37,750 [11.1] | 13,750 [4.0] | 13.00 | 16.00 | 76 | 1,550 [731] |
| | RCFN-H*4824(RGPE-12?ARM?) | 51,000 [14.9] | 37,050 [10.9] | 13,950 [4.1] | 13.00 | 16.00 | 76 | 1,525 [720] |
| | RCFN-H*4824(RGPT-07?BRQ?) | 50,500 [14.8] | 36,900 [10.8] | 13,600 [4.0] | 13.00 | 16.00 | 76 | 1,550 [731] |
| | RCFN-H*4824(RGPT-10?BRM?) | 50,000 [14.6] | 35,750 [10.5] | 14,250 [4.2] | 13.00 | 15.50 | 76 | 1,450 [684] |
| | RCFN-H*4824(RGPT-12?ARM?) | 51,000 [14.9] | 38,600 [11.3] | 12,400 [3.6] | 12.50 | 15.10 | 76 | 1,700 [802] |
| | RCFN-H*4824(RHWB-08WRX60A) | 50,500 [14.8] | 36,800 [10.8] | 13,700 [4.0] | 13.00 | 16.00 | 76 | 1,450 [684] |
| | RCFN-H*4824(RHWB-10WRX60A) | 50,500 [14.8] | 37,100 [10.9] | 13,400 [3.9] | 13.00 | 16.00 | 76 | 1,500 [708] |
| | RCFN-H*4824(ROLA-115E05) | 50,000 [14.6] | 36,900 [10.8] | 13,100 [3.8] | 12.50 | 15.10 | 76 | 1,600 [755] |
| | RCFN-H*4824+RXMD-C04 | 51,000 [14.9] | 37,650 [11.0] | 13,350 [3.9] | 12.50 | 15.00 | 76 | 1,600 [755] |
| | RBHP-24(RCHL-48A1) | 47,000 [13.8] | 32,000 [9.4] | 15,000 [4.4] | 12.50 | 15.00 | 76 | 1,600 [755] |
| | RCQD-4821(RGFE-09?ZCM?) | 47,000 [13.8] | 31,500 [9.2] | 15,500 [4.5] | 12.00 | 14.00 | 76 | 1,400 [661] |
| | RCQD-4821(RGFG-09?ZCM?) | 47,500 [13.9] | 32,250 [9.4] | 15,250 [4.5] | 12.00 | 14.50 | 76 | 1,400 [661] |
| | RCQD-4821(RGFG-10?ZCM?) | 47,500 [13.9] | 32,250 [9.4] | 15,250 [4.5] | 12.00 | 14.50 | 76 | 1,400 [661] |
| | RCQD-4821(RGJF-09?ZCM?) | 47,500 [13.9] | 32,000 [9.4] | 15,500 [4.5] | 12.00 | 14.50 | 76 | 1,400 [661] |
| | RCQD-4821(RGJF-10?ZCM?) | 47,000 [13.8] | 31,500 [9.2] | 15,500 [4.5] | 12.00 | 14.00 | 76 | 1,400 [661] |
| | RCQD-4821(RGPE-07?BRQ?) | 47,500 [13.9] | 31,900 [9.3] | 15,600 [4.6] | 12.50 | 15.00 | 76 | 1,400 [661] |
| | RCQD-4821(RGPE-10?BRM?) | 48,000 [14.1] | 33,800 [9.9] | 14,200 [4.2] | 12.00 | 14.00 | 76 | 1,625 [767] |
| | RCQD-4821(RGPT-07?BRQ?) | 48,500 [14.2] | 33,850 [9.9] | 14,650 [4.3] | 12.50 | 15.10 | 76 | 1,550 [731] |
| | RCQD-4821(RGPT-10?BRM?) | 47,500 [13.9] | 32,050 [9.4] | 15,450 [4.5] | 12.50 | 15.10 | 76 | 1,425 [672] |
| | RCQD-4821(RGRM-09?ZAJ?) | 48,000 [14.1] | 35,100 [10.3] | 12,900 [3.8] | 12.00 | 14.50 | 76 | 1,400 [661] |
| RCQD-4821(ROLA-070E04) | 47,500 [13.9] | 31,750 [9.3] | 15,750 [4.6] | 12.00 | 14.50 | 76 | 1,375 [649] | |
| RCQD-4821+RXMD-C04 | 47,500 [13.9] | 33,750 [9.9] | 13,750 [4.0] | 11.50 | 14.00 | 76 | 1,600 [755] | |
| RCQD-4824(RGFE-09?ZCM?) | 47,000 [13.8] | 31,500 [9.2] | 15,500 [4.5] | 12.00 | 14.50 | 76 | 1,400 [661] | |
| RCQD-4824(RGFE-10?ZCM?) | 47,500 [13.9] | 32,200 [9.4] | 15,300 [4.5] | 12.00 | 14.50 | 76 | 1,425 [672] | |
| RCQD-4824(RGFE-12?RCM?) | 47,500 [13.9] | 32,250 [9.4] | 15,250 [4.5] | 12.00 | 14.50 | 76 | 1,450 [684] | |
| RCQD-4824(RGFG-09?ZCM?) | 47,500 [13.9] | 32,200 [9.4] | 15,300 [4.5] | 12.00 | 14.50 | 76 | 1,400 [661] | |
| RCQD-4824(RGFG-10?ZCM?) | 47,500 [13.9] | 32,200 [9.4] | 15,300 [4.5] | 12.00 | 14.50 | 76 | 1,400 [661] | |
| RCQD-4824(RGFG-12?RCM?) | 48,000 [14.1] | 32,950 [9.7] | 15,050 [4.4] | 12.50 | 15.10 | 76 | 1,450 [684] | |
| RCQD-4824(RGJF-09?ZCM?) | 47,500 [13.9] | 31,950 [9.4] | 15,550 [4.6] | 12.00 | 14.50 | 76 | 1,400 [661] | |
| RCQD-4824(RGJF-10?ZCM?) | 47,500 [13.9] | 32,000 [9.4] | 15,500 [4.5] | 12.00 | 14.50 | 76 | 1,400 [661] | |
| RCQD-4824(RGJF-12?RCM?) | 48,500 [14.2] | 34,250 [10.0] | 14,250 [4.2] | 12.00 | 14.50 | 76 | 1,575 [743] | |
| RCQD-4824(RGPE-07?BRQ?) | 48,500 [14.2] | 34,250 [10.0] | 14,250 [4.2] | 12.00 | 14.50 | 76 | 1,600 [755] | |

① Highest sales volume tested combination required by D.O.E. test procedures.

[] Designates Metric Conversions

Performance Data @ AHRI Standard Conditions—Cooling

| Model Numbers | | 80°F [26.5°C] DB/67°F [19.5°C] WB Indoor Air 95°F [35°C] DB Outdoor Air | | | | | Sound Rating dB | Indoor CFM [L/s] | |
|--------------------------|-----------------------------------|--|----------------------------|--------------------------|--------------|-------|--------------------|------------------|-------------|
| Outdoor Unit RAPM- | Indoor Coil and/or Air Handler | Total Capacity BTU/H [kW] | Net Sensible BTU/H [kW] | Net Latent BTU/H [kW] | EER | SEER | | | |
| Rev. 6/14/12 | RCQD-4824(RGPE-10?BRM?) | 48,000 [14.1] | 33,800 [9.9] | 14,200 [4.2] | 12.00 | 14.50 | 76 | 1,625 [767] | |
| | RCQD-4824(RGPE-12?ARM?) | 48,500 [14.2] | 34,250 [10.0] | 14,250 [4.2] | 12.00 | 14.50 | 76 | 1,625 [767] | |
| | RCQD-4824(RGPT-07?BRQ?) | 48,500 [14.2] | 33,800 [9.9] | 14,700 [4.3] | 12.50 | 15.10 | 76 | 1,550 [731] | |
| | RCQD-4824(RGPT-10?BRM?) | 48,000 [14.1] | 32,700 [9.6] | 15,300 [4.5] | 12.50 | 15.10 | 76 | 1,450 [684] | |
| | RCQD-4824(RGPT-12?ARM?) | 48,000 [14.1] | 32,300 [9.5] | 15,700 [4.6] | 12.50 | 15.10 | 76 | 1,400 [661] | |
| | RCQD-4824(RGRM-09?ZAJ?) | 48,000 [14.1] | 35,350 [10.4] | 12,650 [3.7] | 12.00 | 14.50 | 76 | 1,400 [661] | |
| | RCQD-4824(RGRM-12?RAJ?) | 48,000 [14.1] | 35,450 [10.4] | 12,550 [3.7] | 12.50 | 15.00 | 76 | 1,425 [672] | |
| | RCQD-4824(RHWP-08WRX60A) | 48,000 [14.1] | 32,600 [9.6] | 15,400 [4.5] | 13.00 | 16.00 | 76 | 1,375 [649] | |
| | RCQD-4824(RHWP-10WRX60A) | 48,500 [14.2] | 34,100 [10.0] | 14,400 [4.2] | 13.00 | 16.00 | 76 | 1,525 [720] | |
| | 048JEZ | RCQD-4824(ROLA-070E04) | 47,500 [13.9] | 31,750 [9.3] | 15,750 [4.6] | 12.50 | 15.00 | 76 | 1,375 [649] |
| | | RCQD-4824(ROLA-115E05) | 47,500 [13.9] | 31,900 [9.3] | 15,600 [4.6] | 12.50 | 15.00 | 76 | 1,400 [661] |
| | | RCQD-4824+RXMD-C04 | 47,500 [13.9] | 33,750 [9.9] | 13,750 [4.0] | 11.50 | 14.00 | 76 | 1,600 [755] |
| | | RHKL-HM4821(RCSL-H*4821) | 47,500 [13.9] | 31,950 [9.4] | 15,550 [4.6] | 13.00 | 15.50 | 76 | 1,400 [661] |
| | | RHLL-HM4821(RCSL-H*4821) | 47,500 [13.9] | 31,950 [9.4] | 15,550 [4.6] | 13.00 | 16.00 | 76 | 1,400 [661] |
| | | RHSL-HM4821(RCSL-H*4821) | 47,500 [13.9] | 32,950 [9.7] | 14,550 [4.3] | 12.00 | 14.50 | 76 | 1,525 [720] |
| | | RHSL-HM4824(RCSL-H*4821) | 47,500 [13.9] | 32,800 [9.6] | 14,700 [4.3] | 12.00 | 14.50 | 76 | 1,500 [708] |
| | | RHKL-HM4824(RCSL-H*4824) | 48,500 [14.2] | 34,050 [10.0] | 14,450 [4.2] | 13.00 | 16.00 | 76 | 1,600 [755] |
| RHLL-HM4824(RCSL-H*4824) | | 49,000 [14.4] | 34,900 [10.2] | 14,100 [4.1] | 13.00 | 16.00 | 76 | 1,625 [767] | |
| RHPN-HM4824(RCSN-H*4824) | | 52,000 [15.2] | 38,400 [11.3] | 13,600 [4.0] | 13.00 | 16.00 | 76 | 1,600 [755] | |
| 056JEZ | RCFL-H*6024+RXMD-C04 ① | 52,500 [15.4] | 37,300 [10.9] | 15,200 [4.5] | 12.00 | 14.50 | 76 | 1,525 [720] | |
| | RCFL-A*6024(RGGE-12?RCM?) | 53,000 [15.5] | 38,100 [11.2] | 14,900 [4.4] | 12.50 | 14.50 | 76 | 1,575 [743] | |
| | RCFL-A*6024(RGLE-07?BRQ?) | 53,000 [15.5] | 38,300 [11.2] | 14,700 [4.3] | 12.50 | 14.50 | 76 | 1,600 [755] | |
| | RCFL-A*6024(RGLE-10?BRM?) | 53,500 [15.7] | 38,750 [11.4] | 14,750 [4.3] | 12.50 | 15.10 | 76 | 1,600 [755] | |
| | RCFL-A*6024(RGLE-12?ARM?) | 53,500 [15.7] | 38,750 [11.4] | 14,750 [4.3] | 12.50 | 15.10 | 76 | 1,600 [755] | |
| | RCFL-A*6024(RGLT-12?ARM?) | 53,500 [15.7] | 39,500 [11.6] | 14,000 [4.1] | 12.00 | 14.50 | 76 | 1,700 [802] | |
| | RCFL-A*6024(RGPE-07?BRQ?) | 53,000 [15.5] | 38,300 [11.2] | 14,700 [4.3] | 12.50 | 14.50 | 76 | 1,600 [755] | |
| | RCFL-A*6024(RGPE-10?BRM?) | 53,000 [15.5] | 37,700 [11.0] | 15,300 [4.5] | 12.50 | 15.10 | 76 | 1,550 [731] | |
| | RCFL-A*6024(RGPE-12?ARM?) | 53,500 [15.7] | 38,950 [11.4] | 14,550 [4.3] | 12.50 | 15.10 | 76 | 1,625 [767] | |
| | RCFL-A*6024(RGPT-07?BRQ?) | 53,000 [15.5] | 37,600 [11.0] | 15,400 [4.5] | 13.00 | 15.50 | 76 | 1,550 [731] | |
| | RCFL-A*6024(RGPT-10?BRM?) | 53,500 [15.7] | 39,550 [11.6] | 13,950 [4.1] | 12.00 | 14.50 | 76 | 1,700 [802] | |
| | RCFL-A*6024(RGPT-12?ARM?) | 53,500 [15.7] | 39,550 [11.6] | 13,950 [4.1] | 12.00 | 14.50 | 76 | 1,700 [802] | |
| | RCFL-A*6024(RHWP-08WRX60A) | 53,500 [15.7] | 39,200 [11.5] | 14,300 [4.2] | 12.00 | 14.50 | 76 | 1,650 [779] | |
| | RCFL-A*6024(RHWP-10WRX60A) | 53,000 [15.5] | 37,800 [11.1] | 15,200 [4.5] | 12.00 | 14.50 | 76 | 1,500 [708] | |
| | RCFL-A*6024(ROLA-115E05) | 52,500 [15.4] | 37,250 [10.9] | 15,250 [4.5] | 12.00 | 14.50 | 76 | 1,500 [708] | |
| | RCFL-A*6024+RXMD-C04 | 52,500 [15.4] | 37,300 [10.9] | 15,200 [4.5] | 12.00 | 14.50 | 76 | 1,525 [720] | |
| | RCFL-H*6024(RGGE-12?RCM?) | 53,000 [15.5] | 38,100 [11.2] | 14,900 [4.4] | 12.50 | 14.50 | 76 | 1,575 [743] | |
| | RCFL-H*6024(RGJF-12?RCM?) | 53,000 [15.5] | 38,100 [11.2] | 14,900 [4.4] | 12.50 | 14.50 | 76 | 1,575 [743] | |
| | RCFL-H*6024(RGLE-07?BRQ?) | 53,000 [15.5] | 38,300 [11.2] | 14,700 [4.3] | 12.50 | 14.50 | 76 | 1,600 [755] | |
| | RCFL-H*6024(RGLE-10?BRM?) | 53,500 [15.7] | 38,750 [11.4] | 14,750 [4.3] | 12.50 | 15.10 | 76 | 1,600 [755] | |
| | RCFL-H*6024(RGLE-12?ARM?) | 53,500 [15.7] | 38,750 [11.4] | 14,750 [4.3] | 12.50 | 15.10 | 76 | 1,600 [755] | |
| | RCFL-H*6024(RGLT-12?ARM?) | 53,500 [15.7] | 39,500 [11.6] | 14,000 [4.1] | 12.00 | 14.50 | 76 | 1,700 [802] | |
| | RCFL-H*6024(RGPE-07?BRQ?) | 53,000 [15.5] | 38,300 [11.2] | 14,700 [4.3] | 12.50 | 14.50 | 76 | 1,600 [755] | |
| | RCFL-H*6024(RGPE-10?BRM?) | 53,000 [15.5] | 37,700 [11.0] | 15,300 [4.5] | 12.50 | 15.10 | 76 | 1,550 [731] | |
| | RCFL-H*6024(RGPE-12?ARM?) | 53,500 [15.7] | 38,950 [11.4] | 14,550 [4.3] | 12.50 | 15.10 | 76 | 1,625 [767] | |
| | RCFL-H*6024(RGPT-07?BRQ?) | 53,000 [15.5] | 37,600 [11.0] | 15,400 [4.5] | 13.00 | 15.50 | 76 | 1,550 [731] | |
| | RCFL-H*6024(RGPT-10?BRM?) | 53,500 [15.7] | 39,550 [11.6] | 13,950 [4.1] | 12.00 | 14.50 | 76 | 1,700 [802] | |
| | RCFL-H*6024(RGPT-12?ARM?) | 53,500 [15.7] | 39,550 [11.6] | 13,950 [4.1] | 12.00 | 14.50 | 76 | 1,700 [802] | |
| | RCFL-H*6024(RHWP-08WRX60A) | 53,500 [15.7] | 39,200 [11.5] | 14,300 [4.2] | 12.00 | 14.50 | 76 | 1,650 [779] | |

① Highest sales volume tested combination required by D.O.E. test procedures.

[] Designates Metric Conversions

Performance Data @ AHRI Standard Conditions—Cooling

| Model Numbers | | 80°F [26.5°C] DB/67°F [19.5°C] WB Indoor Air 95°F [35°C] DB Outdoor Air | | | | | Sound Rating dB | Indoor CFM [L/s] | |
|--------------------------|-----------------------------------|--|----------------------------|--------------------------|--------------|-------|--------------------|---------------------|-------------|
| Outdoor Unit RAPM- | Indoor Coil and/or Air Handler | Total Capacity BTU/H [kW] | Net Sensible BTU/H [kW] | Net Latent BTU/H [kW] | EER | SEER | | | |
| Rev. 6/14/12 | RCFL-H*6024(RHWP-10WRX60A) | 53,000 [15.5] | 37,800 [11.1] | 15,200 [4.5] | 12.00 | 14.50 | 76 | 1,500 [708] | |
| | RCFL-H*6024(ROLA-115E05) | 52,500 [15.4] | 37,250 [10.9] | 15,250 [4.5] | 12.00 | 14.50 | 76 | 1,500 [708] | |
| | 056JEZ | RBHP-25(RCHL-60A1) | 49,500 [14.5] | 33,850 [9.9] | 15,650 [4.6] | 11.50 | 14.00 | 76 | 1,800 [849] |
| | | RCQD-6024(RGFE-09?ZCM?) | 49,000 [14.4] | 32,500 [9.5] | 16,500 [4.8] | 11.50 | 14.00 | 76 | 1,400 [661] |
| | | RCQD-6024(RGFE-10?ZCM?) | 49,000 [14.4] | 32,700 [9.6] | 16,300 [4.8] | 11.00 | 13.50 | 76 | 1,425 [672] |
| | | RCQD-6024(RGFE-12?RCM?) | 49,500 [14.5] | 34,400 [10.1] | 15,100 [4.4] | 11.00 | 13.50 | 76 | 1,625 [767] |
| | | RCQD-6024(RGFG-09?ZCM?) | 48,500 [14.2] | 32,650 [9.6] | 15,850 [4.6] | 11.00 | 13.50 | 76 | 1,400 [661] |
| | | RCQD-6024(RGFG-10?ZCM?) | 48,500 [14.2] | 32,650 [9.6] | 15,850 [4.6] | 11.00 | 13.50 | 76 | 1,400 [661] |
| | | RCQD-6024(RGFG-12?RCM?) | 49,000 [14.4] | 33,400 [9.8] | 15,600 [4.6] | 11.50 | 14.00 | 76 | 1,450 [684] |
| | | RCQD-6024(RGJF-09?ZCM?) | 49,000 [14.4] | 32,450 [9.5] | 16,550 [4.8] | 11.50 | 14.00 | 76 | 1,400 [661] |
| | | RCQD-6024(RGJF-10?ZCM?) | 49,000 [14.4] | 32,500 [9.5] | 16,500 [4.8] | 11.50 | 14.00 | 76 | 1,400 [661] |
| | | RCQD-6024(RGJF-12?RCM?) | 50,000 [14.6] | 34,800 [10.2] | 15,200 [4.5] | 11.50 | 14.00 | 76 | 1,575 [743] |
| | | RCQD-6024(RGPE-07?BRQ?) | 50,000 [14.6] | 34,800 [10.2] | 15,200 [4.5] | 11.50 | 14.00 | 76 | 1,600 [755] |
| | | RCQD-6024(RGPE-10?BRM?) | 50,000 [14.6] | 34,800 [10.2] | 15,200 [4.5] | 11.50 | 14.00 | 76 | 1,625 [767] |
| | | RCQD-6024(RGPE-12?ARM?) | 50,000 [14.6] | 34,750 [10.2] | 15,250 [4.5] | 11.50 | 14.00 | 76 | 1,625 [767] |
| | | RCQD-6024(RGPT-07?BRQ?) | 50,000 [14.6] | 34,350 [10.1] | 15,650 [4.6] | 12.00 | 14.50 | 76 | 1,550 [731] |
| | | RCQD-6024(RGPT-10?BRM?) | 49,500 [14.5] | 33,200 [9.7] | 16,300 [4.8] | 12.00 | 14.50 | 76 | 1,450 [684] |
| | | RCQD-6024(RGPT-12?ARM?) | 49,500 [14.5] | 32,800 [9.6] | 16,700 [4.9] | 12.00 | 14.50 | 76 | 1,400 [661] |
| | | RCQD-6024(RGRM-12?RAJ?) | 49,500 [14.5] | 34,050 [10.0] | 15,450 [4.5] | 11.00 | 13.50 | 76 | 1,550 [731] |
| | | RCQD-6024(ROCA-070E04) | 48,500 [14.2] | 32,050 [9.4] | 16,450 [4.8] | 11.50 | 13.50 | 76 | 1,400 [661] |
| RCQD-6024(ROLA-115E05) | | 49,000 [14.4] | 32,400 [9.5] | 16,600 [4.9] | 11.50 | 14.00 | 76 | 1,400 [661] | |
| RCQD-6024+RXMD-C04 | | 49,000 [14.4] | 34,050 [10.0] | 14,950 [4.4] | 11.00 | 13.50 | 76 | 1,600 [755] | |
| RHKL-HM6024(RCSL-H*6024) | 54,000 [15.8] | 39,100 [11.5] | 14,900 [4.4] | 13.00 | 16.00 | 76 | 1,600 [755] | | |
| RHLL-HM6024(RCSL-H*6024) | 54,000 [15.8] | 38,670 [11.3] | 15,330 [4.5] | 13.00 | 16.00 | 76 | 1,550 [731] | | |
| 060JEZ | RCFL-H*6024+RXMD-C04 ① | 60,500 [17.7] | 41,500 [12.2] | 19,000 [5.6] | 12.00 | 14.50 | 76 | 1,600 [755] | |
| | RCFL-A*6024(RGLT-10?BRM?) | 61,000 [17.9] | 43,000 [12.6] | 18,000 [5.3] | 12.00 | 14.50 | 76 | 1,700 [802] | |
| | RCFL-A*6024(RGLT-12?ARM?) | 61,000 [17.9] | 43,000 [12.6] | 18,000 [5.3] | 12.00 | 14.50 | 76 | 1,700 [802] | |
| | RCFL-A*6024(RGPT-07?BRQ?) | 61,000 [17.9] | 43,000 [12.6] | 18,000 [5.3] | 12.00 | 14.50 | 76 | 1,700 [802] | |
| | RCFL-A*6024(RGPT-10?BRM?) | 61,000 [17.9] | 43,000 [12.6] | 18,000 [5.3] | 12.00 | 14.50 | 76 | 1,700 [802] | |
| | RCFL-A*6024(RGPT-12?ARM?) | 61,000 [17.9] | 43,000 [12.6] | 18,000 [5.3] | 12.00 | 14.50 | 76 | 1,700 [802] | |
| | RCFL-A*6024(RGTM-10?RBJ?) | 61,000 [17.9] | 42,800 [12.5] | 18,200 [5.3] | 12.00 | 14.50 | 76 | 1,675 [790] | |
| | RCFL-A*6024+RXMD-C04 | 60,500 [17.7] | 41,500 [12.2] | 19,000 [5.6] | 12.00 | 14.50 | 76 | 1,600 [755] | |
| | RCFL-H*6024(RGLT-10?BRM?) | 61,000 [17.9] | 43,000 [12.6] | 18,000 [5.3] | 12.00 | 14.50 | 76 | 1,700 [802] | |
| | RCFL-H*6024(RGLT-12?ARM?) | 61,000 [17.9] | 43,000 [12.6] | 18,000 [5.3] | 12.00 | 14.50 | 76 | 1,700 [802] | |
| | RCFL-H*6024(RGPT-07?BRQ?) | 61,000 [17.9] | 43,000 [12.6] | 18,000 [5.3] | 12.00 | 14.50 | 76 | 1,700 [802] | |
| | RCFL-H*6024(RGPT-10?BRM?) | 61,000 [17.9] | 43,000 [12.6] | 18,000 [5.3] | 12.00 | 14.50 | 76 | 1,700 [802] | |
| | RCFL-H*6024(RGPT-12?ARM?) | 61,000 [17.9] | 43,000 [12.6] | 18,000 [5.3] | 12.00 | 14.50 | 76 | 1,700 [802] | |
| | RCFL-H*6024(RGTM-10?RBJ?) | 61,000 [17.9] | 42,800 [12.5] | 18,200 [5.3] | 12.00 | 14.50 | 76 | 1,675 [790] | |
| | RBHP-25(RCHL-60A1) | 54,000 [15.8] | 35,850 [10.5] | 18,150 [5.3] | 11.50 | 13.50 | 76 | 1,800 [849] | |
| | RBHM-26J(RCQD-6024) | 60,000 [17.6] | 42,500 [12.5] | 17,500 [5.1] | 12.50 | 15.00 | 76 | 1,700 [802] | |
| | RCQD-6024(RGPE-10?BRM?) | 59,000 [17.3] | 40,500 [11.9] | 18,500 [5.4] | 11.50 | 14.00 | 76 | 1,625 [767] | |
| | RCQD-6024(RGPE-12?ARM?) | 59,000 [17.3] | 40,500 [11.9] | 18,500 [5.4] | 11.50 | 14.00 | 76 | 1,625 [767] | |
| | RCQD-6024(RGPT-07?BRQ?) | 59,500 [17.4] | 42,000 [12.3] | 17,500 [5.1] | 11.50 | 14.00 | 76 | 1,725 [814] | |
| | RCQD-6024(RGPT-10?BRM?) | 59,500 [17.4] | 42,000 [12.3] | 17,500 [5.1] | 11.50 | 14.00 | 76 | 1,725 [814] | |
| | RCQD-6024(RGPT-12?ARM?) | 59,500 [17.4] | 42,000 [12.3] | 17,500 [5.1] | 11.50 | 14.00 | 76 | 1,725 [814] | |
| | RCQD-6024(RGTM-10?RBJ?) | 59,000 [17.3] | 41,500 [12.2] | 17,500 [5.1] | 11.50 | 14.00 | 76 | 1,675 [790] | |
| | RCQD-6024+RXMD-C04 | 58,500 [17.1] | 40,000 [11.7] | 18,500 [5.4] | 11.50 | 13.50 | 76 | 1,600 [755] | |
| | RHKL-HM6024(RCSL-H*6024) | 62,000 [18.2] | 45,000 [13.2] | 17,000 [5.0] | 12.50 | 15.00 | 76 | 1,800 [849] | |
| | RHLL-HM6024(RCSL-H*6024) | 62,000 [18.2] | 45,000 [13.2] | 17,000 [5.0] | 12.50 | 15.00 | 76 | 1,800 [849] | |
| | RHSL-HM6024(RCSL-H*6024) | 60,500 [17.7] | 43,500 [12.7] | 17,000 [5.0] | 11.50 | 13.50 | 76 | 1,800 [849] | |

① Highest sales volume tested combination required by D.O.E. test procedures.

[] Designates Metric Conversions





Electrical and Physical Data

| Model Number RAPM- | ELECTRICAL | | | | | | | PHYSICAL | | | | | | | | | | |
|-----------------------|--|--------------------------------|----------------------------------|--|---|---------------------------------|--------------------|--|-------------|-----------|--------------------------------------|------------------|-----------------------|--------|-------|---------|-------|---------|
| | Phase Frequency (Hz) Voltage (Volts) | Compressor | | Fan Motor Full Load Amperes (FLA) | Minimum Circuit Ampacity Amperes | Fuse or HACR Circuit Breaker | | Outdoor Coil | | | Refrig. Per Circuit Oz. [g] | Weight | | | | | | |
| | | Rated Load Amperes (RLA) | Locked Rotor Amperes (LRA) | | | Minimum Amperes | Maximum Amperes | Face Area Sq. Ft. [m ²] | No. Rows | CFM [L/s] | | Net Lbs. [kg] | Shipping Lbs. [kg] | | | | | |
| Rev. 6/14/2012 | | | | | | | | | | | | | | | | | | |
| 018JEZ | 1-60-208/230 | 9/9 | 48 | 1.9 | 14/14 | 20/20 | 20/20 | 11 | [1.02] | 1 | 1955 | [923] | 82 | [2325] | 145.5 | [66] | 160.5 | [66] |
| 024JEZ | 1-60-208/230 | 13.5/13.5 | 58.3 | 1.1 | 18/18 | 25/25 | 30/30 | 20 | [1.86] | 1 | 3295 | [1555] | 128 | [3629] | 199.5 | [90.5] | 214.5 | [90.5] |
| 030JEZ | 1-60-208/230 | 12.8/12.8 | 64 | 1.9 | 18/18 | 25/25 | 30/30 | 20 | [1.86] | 1 | 3645 | [1720] | 129 | [3657] | 201 | [91.2] | 214 | [91.2] |
| 036JEZ | 1-60-208/230 | 16/16 | 79 | 1.9 | 22/22 | 30/30 | 35/35 | 23.01 | [2.14] | 1 | 3680 | [1737] | 146 | [4139] | 205 | [93] | 227 | [93] |
| 042JEZ | 1-60-208/230 | 17.9/17.9 | 112 | 2.8 | 26/26 | 30/30 | 40/40 | 23.01 | [2.14] | 1 | 3925 | [1852] | 152 | [4309] | 234 | [106.1] | 256 | [106.1] |
| 048JEZ | 1-60-208/230 | 21.8/21.8 | 117 | 2.8 | 31/31 | 40/40 | 50/50 | 23.01 | [2.14] | 2 | 3685 | [1739] | 203 | [5755] | 273 | [123.8] | 298 | [123.8] |
| 056JEZ | 1-60-208/230 | 21.4/21.4 | 135 | 2.8 | 30/30 | 35/35 | 50/50 | 23 | [2.14] | 2 | 3685 | [1739] | 255 | [7229] | 281.5 | [127.7] | 306.5 | [127.7] |
| 060JEZ | 1-60-208/230 | 26.4/26.4 | 134 | 2.8 | 36/36 | 45/45 | 60/60 | 23 | [2.14] | 2 | 4350 | [2053] | 262 | [7428] | 281.5 | [127.7] | 306.5 | [127.7] |

NOTE: Factory Refrigerant Charge includes refrigerant for 15 feet of standard line set.

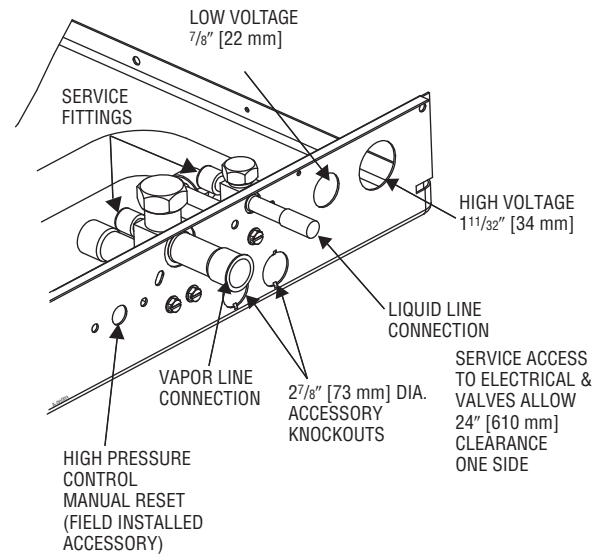
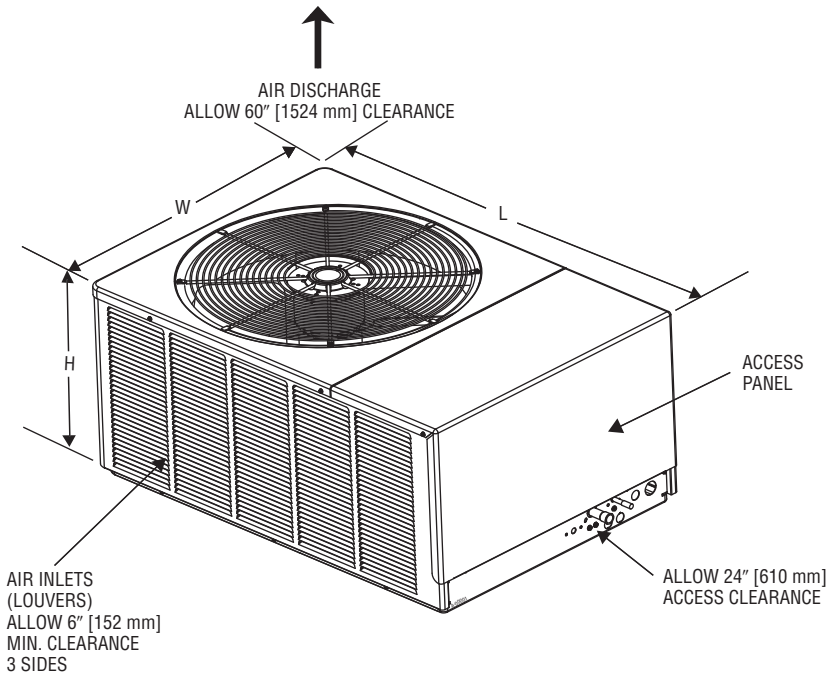
[] Designates Metric Conversions



Unit Dimensions

| Model Number RAPM- | Height "H" (Inches) [mm] | Length "L" (Inches) [mm] | Width "W" (Inches) [mm] |
|--|-----------------------------|---------------------------------------|--------------------------------------|
| 018JEZ | 19 [483] | 40 ¹ / ₂ [1029] | 27 ⁵ / ₈ [702] |
| 024JEZ/030JEZ | 29 [737] | 44 ³ / ₈ [1127] | 31 ¹ / ₂ [800] |
| 036JEZ/042JEZ/ 048JEZ/056JEZ/060JEZ | 33 [838] | 44 ³ / ₈ [1127] | 31 ¹ / ₂ [800] |

[] Designates Metric Conversions



Condensing Unit Refrigerant Line Size Information

| Liquid Line Sizing (R-410A) | | | | | | | | | | | | | | |
|-----------------------------|----------------------------------|----------------------------|---|------------|------------|-------------|-------------|-------------|---|------------|------------|-------------|-------------|-------------|
| System Capacity | Line Size Connection (Inch I.D.) | Line Size (Inch O.D.) [mm] | Liquid Line Size – Outdoor Unit Above Indoor Coil (Cooling Only – Does not apply to Heat Pumps) | | | | | | Liquid Line Size – Outdoor Unit Below Indoor Coil | | | | | |
| | | | Total Equivalent Length—Feet [m] | | | | | | Total Equivalent Length—Feet [m] | | | | | |
| | | | 25 [7.62] | 50 [15.24] | 75 [22.86] | 100 [30.48] | 125 [38.10] | 150 [45.72] | 25 [7.62] | 50 [15.24] | 75 [22.86] | 100 [30.48] | 125 [38.10] | 150 [45.72] |
| | | | Minimum Vertical Separation—Feet [m] | | | | | | Maximum Vertical Separation—Feet [m] | | | | | |
| 1 1/2 Ton | 3/8" | 1/4 [6.35] | 0 | 0 | 0 | 0 | 8 [2.44] | 24 [7.32] | 25 [7.62] | 40 [12.19] | 25 [7.62] | 9 [2.74] | N/A | N/A |
| | | 5/16 [7.94] | 0 | 0 | 0 | 0 | 0 | 0 | 25 [7.62] | 50 [15.24] | 62 [18.90] | 58 [17.68] | 53 [16.15] | 49 [14.94] |
| | | 3/8* [9.53] | 0 | 0 | 0 | 0 | 0 | 0 | 25 [7.62] | 50 [15.24] | 75 [22.86] | 72 [21.95] | 70 [21.34] | 68 [20.73] |
| 2 Ton | 3/8" | 1/4 [6.35] | 0 | 3 [0.91] | 29 [8.84] | 55 [16.76] | 81 [24.69] | 108 [32.92] | 23 [7.01] | N/A | N/A | N/A | N/A | N/A |
| | | 5/16 [7.94] | 0 | 0 | 0 | 0 | 0 | 0 | 25 [7.62] | 36 [10.97] | 29 [8.84] | 23 [7.01] | 16 [4.88] | 9 [2.74] |
| | | 3/8* [9.53] | 0 | 0 | 0 | 0 | 0 | 0 | 25 [7.62] | 50 [15.24] | 72 [21.95] | 70 [21.34] | 68 [20.73] | 65 [19.81] |
| 2 1/2 Ton | 3/8" | 1/4 [6.35] | 0 | 14 [4.27] | 56 [17.07] | 98 [29.87] | N/A | N/A | 25 [7.62] | N/A | N/A | N/A | N/A | N/A |
| | | 5/16 [7.94] | 0 | 0 | 0 | 0 | 0 | 0 | 25 [7.62] | 49 [14.94] | 38 [11.58] | 27 [8.23] | 17 [5.18] | 6 [1.83] |
| | | 3/8* [9.53] | 0 | 0 | 0 | 0 | 0 | 0 | 25 [7.62] | 50 [15.24] | 68 [20.73] | 65 [19.81] | 62 [18.90] | 58 [17.68] |
| 3 Ton | 3/8" | 5/16 [7.94] | 0 | 0 | 0 | 0 | 0 | 9 [2.74] | 25 [7.62] | 50 [15.24] | 37 [11.28] | 22 [6.71] | 7 [2.13] | N/A |
| | | 3/8* [9.53] | 0 | 0 | 0 | 0 | 0 | 0 | 25 [7.62] | 50 [15.24] | 68 [20.73] | 63 [19.20] | 58 [17.68] | 53 [16.15] |
| 3 1/2 Ton | 3/8" | 5/16 [7.94] | 0 | 0 | 0 | 16 [4.88] | 35 [10.67] | 54 [16.46] | 25 [7.62] | 23 [7.01] | 4 [1.22] | N/A | N/A | N/A |
| | | 3/8* [9.53] | 0 | 0 | 0 | 0 | 0 | 0 | 25 [7.62] | 50 [15.24] | 43 [13.11] | 36 [10.97] | 30 [9.14] | 24 [7.32] |
| 4 Ton | 3/8" | 3/8* [9.53] | 0 | 0 | 0 | 0 | 0 | 0 | 25 [7.62] | 46 [14.02] | 38 [11.58] | 30 [9.14] | 22 [6.71] | 15 [4.57] |
| | | 1/2 [12.57] | 0 | 0 | 0 | 0 | 0 | 0 | 25 [7.62] | 50 [15.24] | 56 [17.07] | 55 [16.76] | 53 [16.15] | 52 [15.85] |
| 5 Ton | 3/8" | 3/8* [9.53] | 0 | 0 | 0 | 0 | 0 | 0 | 25 [7.62] | 50 [15.24] | 56 [17.07] | 44 [13.41] | 32 [9.75] | 20 [6.10] |
| | | 1/2 [12.57] | 0 | 0 | 0 | 0 | 0 | 0 | 25 [7.62] | 50 [15.24] | 75 [22.86] | 81 [24.69] | 79 [24.08] | 76 [23.16] |

NOTES: *Standard line size
 N/A = Application not recommended.

| Suction Line Length/Size versus Capacity Multiplier (R-410A) | | | | | | | | | | |
|--|----------|---|-------|--|-------|---|-------|---|------|--|
| Unit Size | | 1 1/2 Ton | 2 Ton | 2 1/2 Ton | 3 Ton | 3 1/2 Ton | 4 Ton | 5 Ton | | |
| Suction Line Connection Size | | 3/4" [19.05 mm] I.D. | | | | 7/8" [22.23 mm] I.D. | | | | |
| Suction Line Run—Feet [m] | | 5/8" [15.88 mm] O.D. Opt. 3/4" [19.05 mm] O.D. Std.* | | 5/8" [15.88 mm] O.D. Opt. 3/4" [19.05 mm] O.D. Std.* 7/8" [22.23 mm] O.D. Opt. | | 3/4" [19.05 mm] O.D. Opt. 7/8" [22.23 mm] O.D. Std.* | | 7/8" [22.23 mm] O.D. Opt. 1 1/8" [28.58 mm] O.D. Std.* | | |
| 25' [7.62] | Optional | 1.00 | 1.00 | 1.00 | 1.00 | 1.00 | 1.00 | 1.00 | 1.00 | |
| | Standard | 1.00 | 1.00 | 1.00 | 1.00 | 1.00 | 1.00 | 1.00 | 1.00 | |
| | Optional | N/A | N/A | 1.00 | N/A | N/A | N/A | N/A | N/A | |
| 50' [15.24] | Optional | .98 | .98 | .96 | .98 | .99 | .99 | .99 | .99 | |
| | Standard | .99 | .99 | .98 | .99 | .99 | .99 | .99 | .99 | |
| | Optional | N/A | N/A | .99 | N/A | N/A | N/A | N/A | N/A | |
| 100' [30.48] | Optional | .95 | .95 | .94 | .96 | .96 | .96 | .97 | .97 | |
| | Standard | .96 | .96 | .96 | .97 | .98 | .98 | .98 | .98 | |
| | Optional | N/A | N/A | .97 | N/A | N/A | N/A | N/A | N/A | |
| 150' [45.72] | Optional | .92 | .92 | .91 | .94 | .94 | .95 | .95 | .94 | |
| | Standard | .93 | .94 | .93 | .95 | .96 | .96 | .96 | .97 | |
| | Optional | N/A | N/A | .95 | N/A | N/A | N/A | N/A | N/A | |

NOTES: *Standard line size
 Using suction line larger than shown in chart will result in poor oil return and is not recommended.

[] Designates Metric Conversions

GENERAL TERMS OF LIMITED WARRANTY*

Rheem will furnish a replacement for any part of this product which fails in normal use and service within the applicable period stated, in accordance with the terms of the limited warranty.

***For complete details of the Limited and Conditional Warranties, including applicable terms and conditions, contact your local contractor or the Manufacturer for a copy of the product warranty certificate.**

Conditional Compressor
(Registration Required)Ten (10) Years
PartsTen (10) Years



The new degree of comfort.™

In keeping with its policy of continuous progress and product improvement, Rheem reserves the right to make changes without notice.

Rheem Heating, Cooling & Water Heating • P.O. Box 17010
Fort Smith, Arkansas 72917 • www.rheem.com

Rheem Canada Ltd./Ltée • 125 Edgeware Road, Unit 1
Brampton, Ontario • L6Y 0P5



INTEGRATED HOME COMFORT

PRINTED IN U.S.A 06/12 QG FORM NO. A11-214