



The new degree of comfort.™

## Rheem Classic® Series Air Conditioners

### RAPM- JAZ Series

Efficiencies up to 16 SEER/13.55 EER  
Nominal Sizes 1.5 to 5 Ton [5.20 to 17.6 kW]  
Cooling Capacities 18.8 to 62.5 kBTU  
[5.50 to 18.32 kW]



*"Proper sizing and installation of equipment is critical to achieve optimal performance. Ask your Contractor for details or visit [www.energystar.gov](http://www.energystar.gov)."*

- Attractive, louvered wrap-around jacket protects the coil from yard hazards and weather extremes. Top grille is steel reinforced for extra strength. Cabinet is powder painted for all-weather protection.
- Air is discharged upward away from bushes and shrubs. The discharge pattern of the top grille provides minimum air restriction.
- Combination Grille/Motor Mount secures the motor to the underside of the discharge grille. The grille protects the motor windings and bearings from rain and snow.
- All controls are accessible by removing one service panel. Removable top grille provides access to the condenser fan motor and condenser coil.
- Single speed 8-pole fan motor designed for low speed, quiet, energy-saving operation.
- All models meet or exceed a 1000-hour salt spray test per ASTM B117 Standard Practice for Operating Salt Spray Testing Apparatus.

## TABLE OF CONTENTS

Model Features .....	3
Model Number Identification .....	4
Accessories.....	4
Scroll Compressor .....	4
Performance Data .....	5-31
Electrical & Physical Data .....	32
Unit Dimensions.....	33
Refrigerant Line Size Information .....	34
Limited Warranty .....	35



All controls and compressor are accessible for servicing by removal of the service panel.



Drawn Painted Base Pan.

## Model Features

### RAPM- Series Condensing Units

1. This unit contains a special scroll compressor that is designed specifically to operate with R-410A refrigerants and polyolester (POE) oils. The compressor is hermetically sealed and incorporates internal high temperature motor overload protection and durable insulation on the motor windings. It is externally mounted on rubber grommets to reduce vibration and noise.
2. Compressors have an internal pressure relief assembly to protect against excessive pressure differential.
3. All refrigerant connections are on the exterior of the unit, located close to the ground for neat appearing installations.
4. Cabinet is constructed of powder painted galvanized steel. The full wraparound louvered grille protects the coil from damage.
5. Copper tube—aluminum fin coils are used on all models.
6. The control box is located in the top corner of the cabinet providing for easy access through a service panel.
7. Service valves are standard on all models.
8. Power and control wiring are kept separate.
9. Every unit is factory charged and tested.
10. Separate compressor compartment for easy service access.
11. Drawn, painted base pan for extra corrosion resistance and sound reduction.
12. Automatic reset high and low pressure controls are standard on all models.
13. A liquid line filter drier is standard on all models (shipped – not installed).

## Model Number Identification

<u>R</u>	<u>A</u>	<u>P</u>	<u>M</u>	<u>—</u>	<u>018</u>	<u>J</u>	<u>A</u>	<u>Z</u>
RHEEM	REMOTE CONDENSING UNIT	P = 14 SEER	DESIGN SERIES M = R-410A (2ND DESIGN SERIES)		COOLING CAPACITY 018 = 18,000 BTU/HR [5.28 kW] 024 = 24,000 BTU/HR [7.03 kW] 030 = 30,000 BTU/HR [8.79 kW] 036 = 36,000 BTU/HR [10.55 kW] 042 = 42,000 BTU/HR [12.31 kW] 048 = 48,000 BTU/HR [14.07 kW] 056 = 56,000 BTU/HR [16.41 kW] 060 = 60,000 BTU/HR [17.58 kW]	ELECTRICAL DESIGNATION J = 208/230V-1-60	VARIATIONS A-SERIES = FULL-FEATURED	COOLING CONNECTION FITTING Z = SWEAT W/SCROLL

## Accessories

- Low Ambient Control (RXAD-A08)
- Compressor Time Delay Control
- Crankcase Heater

## Thermostats



**200-Series \***  
Programmable



**300-Series \***  
Deluxe Programmable

**400-Series \***  
Special Applications/  
Programmable



**500-Series \***  
Communicating/  
Programmable

Brand	Descriptor (3 Characters)	Series (3 Characters)	System (2 Characters)	Type (2 Characters)
RHC	- TST	213	UN	MS
RHC=Rheem	TST=Thermostat	200=Programmable 300=Deluxe Programmable 400=Special Applications/ Programmable 500=Communicating/ Programmable	GE=Gas/Electric UN=Universal (AC/HP/GE) MD=Modulating Furnace DF=Dual Fuel CM=Communicating	SS=Single-Stage MS=Multi-Stage

\* Photos are representative. Actual models may vary.

For detailed thermostat match-up information, see specification sheet form number T11-001.

## Scroll® Compressor

The reliable scroll compressor is the key to efficiency for this Rheem model. It's the latest in high-efficiency compressor technology. The advanced scroll compressor offers low noise and vibration characteristics and features tolerance to liquid refrigerant and system contamination. The scroll compressor also has low start torque, reducing start problems in the field. And its unique design enables air conditioners to perform efficiently and quietly.



[ ] Designates Metric Conversions



## Performance Data @ AHRI Standard Conditions—Cooling

Model Numbers		80°F [26.5°C] DB/67°F [19.5°C] WB Indoor Air 95°F [35°C] DB Outdoor Air					Sound Rating dB	Indoor CFM [L/s]
Outdoor Unit RAPM-	Indoor Coil and/or Air Handler	Total Capacity BTU/H [kW]	Net Sensible BTU/H [kW]	Net Latent BTU/H [kW]	EER	SEER		
Rev. 6/14/12	RCFL-H*2417+RXMD-C04 ①	18,900 [5.5]	13,900 [4.1]	5,000 [1.5]	12.00	14.50	74	650 [307]
	RCFL-A*2414+RXMD-C04	18,800 [5.5]	13,800 [4.0]	5,000 [1.5]	12.00	14.50	74	650 [307]
	RCFL-A*2417(RGFE-06?MCK?)	18,900 [5.5]	13,650 [4.0]	5,250 [1.5]	13.00	16.00	74	575 [271]
	RCFL-A*2417(RGFE-07?MCK?)	19,100 [5.6]	13,850 [4.1]	5,250 [1.5]	13.00	16.00	74	600 [283]
	RCFL-A*2417(RGFG-06?MCK?)	19,000 [5.6]	13,800 [4.0]	5,200 [1.5]	13.00	16.00	74	575 [271]
	RCFL-A*2417(RGFG-07?MCK?)	19,100 [5.6]	13,900 [4.1]	5,200 [1.5]	13.00	16.00	74	600 [283]
	RCFL-A*2417(RGGE-06?MCK?)	19,300 [5.7]	14,150 [4.1]	5,150 [1.5]	13.00	16.00	74	625 [295]
	RCFL-A*2417(RGGE-07?MCK?)	19,000 [5.6]	13,700 [4.0]	5,300 [1.6]	13.00	16.00	74	575 [271]
	RCFL-A*2417(RGLE-07?AMK?)	19,100 [5.6]	13,850 [4.1]	5,250 [1.5]	13.00	16.00	74	600 [283]
	RCFL-A*2417(RGLT-07?AMK?)	19,400 [5.7]	14,250 [4.2]	5,150 [1.5]	13.00	16.00	74	675 [319]
018JAZ	RCFL-A*2417(RGPE-05?BMK?)	18,900 [5.5]	13,650 [4.0]	5,250 [1.5]	13.00	16.00	74	575 [271]
	RCFL-A*2417(RGPE-07?AMK?)	19,400 [5.7]	14,250 [4.2]	5,150 [1.5]	13.00	16.00	74	625 [295]
	RCFL-A*2417(RGPT-05?BMK?)	19,300 [5.7]	14,200 [4.2]	5,100 [1.5]	13.00	16.00	74	650 [307]
	RCFL-A*2417(RGPT-07?AMK?)	19,400 [5.7]	14,250 [4.2]	5,150 [1.5]	13.00	16.00	74	625 [295]
	RCFL-A*2417(RGRM-04?MAE?)	18,900 [5.5]	13,650 [4.0]	5,250 [1.5]	13.00	16.00	74	575 [271]
	RCFL-A*2417(RGRM-06?MAE?)	19,100 [5.6]	13,850 [4.1]	5,250 [1.5]	13.00	16.00	74	600 [283]
	RCFL-A*2417(RGRM-07?MAE?)	19,300 [5.7]	14,200 [4.2]	5,100 [1.5]	13.00	16.00	74	625 [295]
	RCFL-A*2417(RGTM-06?MAE?)	19,300 [5.7]	14,200 [4.2]	5,100 [1.5]	13.00	16.00	74	625 [295]
	RCFL-A*2417(ROCA-070E03)	19,100 [5.6]	13,900 [4.1]	5,200 [1.5]	13.00	16.00	74	600 [283]
	RCFL-A*2417(ROLA-070E03)	19,100 [5.6]	13,900 [4.1]	5,200 [1.5]	13.00	16.00	74	600 [283]
	RCFL-A*2417+RXMD-C04	18,900 [5.5]	13,900 [4.1]	5,000 [1.5]	12.00	14.50	74	650 [307]
	RCFL-H*2414+RXMD-C04	18,800 [5.5]	13,800 [4.0]	5,000 [1.5]	12.00	14.50	74	650 [307]
	RCFL-H*2417(RGFE-06?MCK?)	18,900 [5.5]	13,650 [4.0]	5,250 [1.5]	13.00	16.00	74	575 [271]
	RCFL-H*2417(RGFE-07?MCK?)	19,100 [5.6]	13,850 [4.1]	5,250 [1.5]	13.00	16.00	74	600 [283]
	RCFL-H*2417(RGFG-06?MCK?)	19,000 [5.6]	13,800 [4.0]	5,200 [1.5]	13.00	16.00	74	575 [271]
	RCFL-H*2417(RGFG-07?MCK?)	19,100 [5.6]	13,900 [4.1]	5,200 [1.5]	13.00	16.00	74	600 [283]
	RCFL-H*2417(RGGE-06?MCK?)	19,300 [5.7]	14,150 [4.1]	5,150 [1.5]	13.00	16.00	74	625 [295]
	RCFL-H*2417(RGGE-07?MCK?)	19,000 [5.6]	13,700 [4.0]	5,300 [1.6]	13.00	16.00	74	575 [271]
	RCFL-H*2417(RGJF-06?MCK?)	19,300 [5.7]	14,150 [4.1]	5,150 [1.5]	13.00	16.00	74	625 [295]
	RCFL-H*2417(RGJF-07?MCK?)	19,000 [5.6]	13,700 [4.0]	5,300 [1.6]	13.00	16.00	74	575 [271]
	RCFL-H*2417(RGLE-07?AMK?)	19,100 [5.6]	13,850 [4.1]	5,250 [1.5]	13.00	16.00	74	600 [283]
	RCFL-H*2417(RGLT-07?AMK?)	19,400 [5.7]	14,250 [4.2]	5,150 [1.5]	13.00	16.00	74	675 [319]
	RCFL-H*2417(RGPE-05?BMK?)	18,900 [5.5]	13,650 [4.0]	5,250 [1.5]	13.00	16.00	74	575 [271]
	RCFL-H*2417(RGPE-07?AMK?)	19,400 [5.7]	14,250 [4.2]	5,150 [1.5]	13.00	16.00	74	625 [295]
	RCFL-H*2417(RGPT-05?BMK?)	19,300 [5.7]	14,200 [4.2]	5,100 [1.5]	13.00	16.00	74	650 [307]
	RCFL-H*2417(RGPT-07?AMK?)	19,400 [5.7]	14,250 [4.2]	5,150 [1.5]	13.00	16.00	74	625 [295]
	RCFL-H*2417(RGRM-04?MAE?)	18,900 [5.5]	13,650 [4.0]	5,250 [1.5]	13.00	16.00	74	575 [271]
	RCFL-H*2417(RGRM-06?MAE?)	19,100 [5.6]	13,850 [4.1]	5,250 [1.5]	13.00	16.00	74	600 [283]
	RCFL-H*2417(RGRM-07?MAE?)	19,300 [5.7]	14,200 [4.2]	5,100 [1.5]	13.00	16.00	74	625 [295]
	RCFL-H*2417(RGTM-06?MAE?)	19,300 [5.7]	14,200 [4.2]	5,100 [1.5]	13.00	16.00	74	625 [295]
	RCFL-H*2417(ROCA-070E03)	19,100 [5.6]	13,900 [4.1]	5,200 [1.5]	13.00	16.00	74	600 [283]
	RCFL-H*2417(ROLA-070E03)	19,100 [5.6]	13,900 [4.1]	5,200 [1.5]	13.00	16.00	74	600 [283]
	RBHP-17(RCHL-24A2)	19,000 [5.6]	13,500 [4.0]	5,500 [1.6]	13.00	16.00	74	650 [307]
	RCQD-2417(RGFE-06?MCK?)	19,500 [5.7]	14,400 [4.2]	5,100 [1.5]	13.00	16.00	74	575 [271]
	RCQD-2417(RGFE-07?MCK?)	19,600 [5.7]	14,550 [4.3]	5,050 [1.5]	13.00	16.00	74	600 [283]
	RCQD-2417(RGFG-06?MCK?)	19,500 [5.7]	14,400 [4.2]	5,100 [1.5]	13.00	16.00	74	575 [271]
	RCQD-2417(RGFG-07?MCK?)	19,500 [5.7]	14,500 [4.2]	5,000 [1.5]	13.00	16.00	74	600 [283]
	RCQD-2417(RGJF-06?MCK?)	19,800 [5.8]	14,800 [4.3]	5,000 [1.5]	13.00	16.00	74	625 [295]

① Highest sales volume tested combination required by D.O.E. test procedures.

[ ] Designates Metric Conversions



## Performance Data @ AHRI Standard Conditions—Cooling

Model Numbers		80°F [26.5°C] DB/67°F [19.5°C] WB Indoor Air 95°F [35°C] DB Outdoor Air					Sound Rating dB	Indoor CFM [L/s]
Outdoor Unit RAPM-	Indoor Coil and/or Air Handler	Total Capacity BTU/H [kW]	Net Sensible BTU/H [kW]	Net Latent BTU/H [kW]	EER	SEER		
Rev. 6/14/12	RCQD-2417(RGJF-07?MCK?)	19,500 [5.7]	14,400 [4.2]	5,100 [1.5]	13.00	16.00	74	575 [271]
	RCQD-2417(RGPE-05?BMK?)	19,500 [5.7]	14,400 [4.2]	5,100 [1.5]	13.00	16.00	74	575 [271]
	RCQD-2417(RGPE-07?AMK?)	19,800 [5.8]	14,800 [4.3]	5,000 [1.5]	13.00	16.00	74	625 [295]
	RCQD-2417(RGPT-05?BMK?)	19,800 [5.8]	14,900 [4.4]	4,900 [1.4]	13.00	16.00	74	650 [307]
	RCQD-2417(RGPT-07?AMK?)	19,800 [5.8]	15,100 [4.4]	4,700 [1.4]	13.00	16.00	74	625 [295]
	RCQD-2417(RGRM-04?MAE?)	19,800 [5.8]	14,850 [4.4]	4,950 [1.5]	13.00	16.00	74	575 [271]
	RCQD-2417(RGRM-06?MAE?)	19,900 [5.8]	15,000 [4.4]	4,900 [1.4]	13.00	16.00	74	600 [283]
	RCQD-2417(RGRM-07?MAE?)	20,200 [5.9]	15,400 [4.5]	4,800 [1.4]	13.00	16.00	74	625 [295]
	RCQD-2417(ROCA-070E03)	19,600 [5.7]	14,600 [4.3]	5,000 [1.5]	13.00	16.00	74	600 [283]
	RCQD-2417(ROLA-070E03)	19,600 [5.7]	14,600 [4.3]	5,000 [1.5]	13.00	16.00	74	600 [283]
	RCQD-2417+RXMD-C04	18,800 [5.5]	13,800 [4.0]	5,000 [1.5]	12.00	14.50	74	650 [307]
	RHKL-HM2417(RCSL-H*2417)	19,400 [5.7]	14,250 [4.2]	5,150 [1.5]	13.00	16.00	74	650 [307]
	RHLL-HM2417(RCSL-H*2417)	19,400 [5.7]	14,250 [4.2]	5,150 [1.5]	13.00	16.00	74	650 [307]
RHSL-HM1817(RCSL-H*2417)	18,800 [5.5]	13,650 [4.0]	5,150 [1.5]	12.50	15.00	74	600 [283]	
024JAZ	RCFL-H*2417+RXMD-C04 ①	25,000 [7.3]	18,450 [5.4]	6,550 [1.9]	12.00	14.50	73	800 [378]
	RHAL-FR24P	24,000 [7.0]	18,500 [5.4]	5,500 [1.6]	11.50	13.50	73	800 [378]
	RHBL-FR24T	24,000 [7.0]	18,500 [5.4]	5,500 [1.6]	12.50	15.00	73	800 [378]
	RCFL-A*2414+RXMD-C04	24,800 [7.3]	18,300 [5.4]	6,600 [1.9]	12.00	14.50	73	800 [378]
	RCFL-A*2417(RGFE-06?MCK?)	25,200 [7.4]	18,550 [5.4]	6,650 [1.9]	13.00	15.50	73	800 [378]
	RCFL-A*2417(RGFE-07?MCK?)	25,200 [7.4]	18,550 [5.4]	6,650 [1.9]	13.00	15.50	73	825 [389]
	RCFL-A*2417(RGFG-06?MCK?)	25,400 [7.4]	18,800 [5.5]	6,600 [1.9]	13.00	15.50	73	800 [378]
	RCFL-A*2417(RGFG-07?MCK?)	25,400 [7.4]	18,700 [5.5]	6,700 [2.0]	13.00	15.50	73	800 [378]
	RCFL-A*2417(RGGE-06?MCK?)	25,400 [7.4]	18,700 [5.5]	6,700 [2.0]	13.00	16.00	73	825 [389]
	RCFL-A*2417(RGGE-07?MCK?)	25,200 [7.4]	18,500 [5.4]	6,700 [2.0]	13.00	15.50	73	800 [378]
	RCFL-A*2417(RGLE-07?AMK?)	25,400 [7.4]	18,700 [5.5]	6,700 [2.0]	13.00	16.00	73	800 [378]
	RCFL-A*2417(RGLT-07?AMK?)	25,600 [7.5]	19,100 [5.6]	6,500 [1.9]	13.00	16.00	73	850 [401]
	RCFL-A*2417(RGPE-05?BMK?)	25,200 [7.4]	18,500 [5.4]	6,700 [2.0]	13.00	15.50	73	800 [378]
	RCFL-A*2417(RGPE-07?AMK?)	25,000 [7.3]	18,100 [5.3]	6,900 [2.0]	13.00	16.00	73	725 [342]
	RCFL-A*2417(RGPT-05?BMK?)	25,400 [7.4]	18,950 [5.6]	6,450 [1.9]	13.00	15.50	73	850 [401]
	RCFL-A*2417(RGPT-07?AMK?)	25,600 [7.5]	19,100 [5.6]	6,500 [1.9]	13.00	15.50	73	850 [401]
	RCFL-A*2417(RGRM-04?MAE?)	25,200 [7.4]	18,600 [5.4]	6,600 [1.9]	13.00	15.50	73	800 [378]
	RCFL-A*2417(RGRM-06?MAE?)	25,200 [7.4]	18,600 [5.4]	6,600 [1.9]	13.00	15.50	73	825 [389]
	RCFL-A*2417(RGRM-07?MAE?)	25,400 [7.4]	18,950 [5.6]	6,450 [1.9]	12.50	15.10	73	850 [401]
	RCFL-A*2417(RHWB-04WMX36A)	25,400 [7.4]	18,800 [5.5]	6,600 [1.9]	13.00	16.00	73	825 [389]
	RCFL-A*2417(ROCA-070E03)	25,400 [7.4]	18,750 [5.5]	6,650 [1.9]	13.00	16.00	73	800 [378]
	RCFL-A*2417(ROLA-070E03)	25,400 [7.4]	18,750 [5.5]	6,650 [1.9]	13.00	16.00	73	800 [378]
	RCFL-A*2417+RXMD-C04	24,800 [7.3]	18,300 [5.4]	6,600 [1.9]	12.00	14.50	73	800 [378]
	RCFL-H*2414+RXMD-C04	24,800 [7.3]	18,300 [5.4]	6,600 [1.9]	12.00	14.50	73	800 [378]
	RCFL-H*2417(RGFE-06?MCK?)	25,200 [7.4]	18,550 [5.4]	6,650 [1.9]	13.00	15.50	73	800 [378]
	RCFL-H*2417(RGFE-07?MCK?)	25,200 [7.4]	18,550 [5.4]	6,650 [1.9]	13.00	15.50	73	825 [389]
	RCFL-H*2417(RGFG-06?MCK?)	25,400 [7.4]	18,800 [5.5]	6,600 [1.9]	13.00	15.50	73	800 [378]
	RCFL-H*2417(RGFG-07?MCK?)	25,400 [7.4]	18,700 [5.5]	6,700 [2.0]	13.00	15.50	73	800 [378]
	RCFL-H*2417(RGGE-06?MCK?)	25,400 [7.4]	18,700 [5.5]	6,700 [2.0]	13.00	16.00	73	825 [389]
	RCFL-H*2417(RGGE-07?MCK?)	25,200 [7.4]	18,500 [5.4]	6,700 [2.0]	13.00	15.50	73	800 [378]
	RCFL-H*2417(RGJF-06?MCK?)	25,400 [7.4]	18,700 [5.5]	6,700 [2.0]	13.00	16.00	73	825 [389]
	RCFL-H*2417(RGJF-07?MCK?)	25,200 [7.4]	18,500 [5.4]	6,700 [2.0]	13.00	15.50	73	800 [378]
	RCFL-H*2417(RGLE-07?AMK?)	25,400 [7.4]	18,700 [5.5]	6,700 [2.0]	13.00	16.00	73	800 [378]
RCFL-H*2417(RGLT-07?AMK?)	25,600 [7.5]	19,100 [5.6]	6,500 [1.9]	13.00	16.00	73	850 [401]	

① Highest sales volume tested combination required by D.O.E. test procedures.

[ ] Designates Metric Conversions

## Performance Data @ AHRI Standard Conditions—Cooling

Model Numbers		80°F [26.5°C] DB/67°F [19.5°C] WB Indoor Air 95°F [35°C] DB Outdoor Air					Sound Rating dB	Indoor CFM [L/s]
Outdoor Unit RAPM-	Indoor Coil and/or Air Handler	Total Capacity BTU/H [kW]	Net Sensible BTU/H [kW]	Net Latent BTU/H [kW]	EER	SEER		
Rev. 6/14/12	RCFL-H*2417(RGPE-05?BMK?)	25,200 [7.4]	18,500 [5.4]	6,700 [2.0]	13.00	15.50	73	800 [378]
	RCFL-H*2417(RGPE-07?AMK?)	25,000 [7.3]	18,100 [5.3]	6,900 [2.0]	13.00	16.00	73	725 [342]
	RCFL-H*2417(RGPT-05?BMK?)	25,400 [7.4]	18,950 [5.6]	6,450 [1.9]	13.00	15.50	73	850 [401]
	RCFL-H*2417(RGPT-07?AMK?)	25,600 [7.5]	19,100 [5.6]	6,500 [1.9]	13.00	15.50	73	850 [401]
	RCFL-H*2417(RGRM-04?MAE?)	25,200 [7.4]	18,600 [5.4]	6,600 [1.9]	13.00	15.50	73	800 [378]
	RCFL-H*2417(RGRM-06?MAE?)	25,200 [7.4]	18,600 [5.4]	6,600 [1.9]	13.00	15.50	73	825 [389]
	RCFL-H*2417(RGRM-07?MAE?)	25,400 [7.4]	18,950 [5.6]	6,450 [1.9]	12.50	15.10	73	850 [401]
	RCFL-H*2417(RGTM-06?MAE?)	25,200 [7.4]	18,400 [5.4]	6,800 [2.0]	13.00	16.00	73	750 [354]
	RCFL-H*2417(RHWP-04WMMX36A)	25,400 [7.4]	18,800 [5.5]	6,600 [1.9]	13.00	16.00	73	825 [389]
	RCFL-H*2417(ROCA-070E03)	25,400 [7.4]	18,750 [5.5]	6,650 [1.9]	13.00	16.00	73	800 [378]
	RCFL-H*2417(ROLA-070E03)	25,400 [7.4]	18,750 [5.5]	6,650 [1.9]	13.00	16.00	73	800 [378]
	RCFL-H*2621	25,200 [7.4]	18,800 [5.5]	6,400 [1.9]	12.00	14.50	73	800 [378]
	RCFL-H*2621(RGFE-06?MCK?)	26,000 [7.6]	19,700 [5.8]	6,300 [1.8]	13.00	16.00	73	875 [413]
	RCFL-H*2621(RGFE-07?MCK?)	26,000 [7.6]	19,750 [5.8]	6,250 [1.8]	13.00	16.00	73	875 [413]
	RCFL-H*2621(RGFE-09?ZCM?)	26,200 [7.7]	19,900 [5.8]	6,300 [1.8]	13.00	16.00	73	875 [413]
	RCFL-H*2621(RGFE-10?ZCM?)	26,000 [7.6]	19,450 [5.7]	6,550 [1.9]	13.00	16.00	73	800 [378]
	RCFL-H*2621(RGFG-06?MCK?)	26,000 [7.6]	19,700 [5.8]	6,300 [1.8]	13.00	16.00	73	875 [413]
	RCFL-H*2621(RGFG-07?MCK?)	26,000 [7.6]	19,600 [5.7]	6,400 [1.9]	13.00	16.00	73	850 [401]
	RCFL-H*2621(RGFG-09?ZCM?)	26,200 [7.7]	19,900 [5.8]	6,300 [1.8]	13.00	16.00	73	875 [413]
	RCFL-H*2621(RGFG-10?ZCM?)	25,800 [7.6]	19,250 [5.6]	6,550 [1.9]	13.00	16.00	73	800 [378]
	RCFL-H*2621(RGGE-06?MCK?)	25,800 [7.6]	19,250 [5.6]	6,550 [1.9]	13.00	16.00	73	825 [389]
	RCFL-H*2621(RGGE-07?MCK?)	26,200 [7.7]	19,900 [5.8]	6,300 [1.8]	13.00	16.00	73	875 [413]
	RCFL-H*2621(RGGE-09?ZCM?)	26,200 [7.7]	19,900 [5.8]	6,300 [1.8]	13.00	16.00	73	875 [413]
	RCFL-H*2621(RGGE-10?ZCM?)	26,200 [7.7]	19,900 [5.8]	6,300 [1.8]	13.00	16.00	73	875 [413]
	RCFL-H*2621(RGJF-06?MCK?)	25,800 [7.6]	19,250 [5.6]	6,550 [1.9]	13.00	16.00	73	825 [389]
	RCFL-H*2621(RGJF-07?MCK?)	26,200 [7.7]	19,900 [5.8]	6,300 [1.8]	13.00	16.00	73	875 [413]
	RCFL-H*2621(RGJF-09?ZCM?)	26,200 [7.7]	19,900 [5.8]	6,300 [1.8]	13.00	16.00	73	875 [413]
	RCFL-H*2621(RGJF-10?ZCM?)	26,200 [7.7]	19,900 [5.8]	6,300 [1.8]	13.00	16.00	73	875 [413]
	RCFL-H*2621(RGLE-07?AMK?)	26,200 [7.7]	19,900 [5.8]	6,300 [1.8]	13.00	16.00	73	875 [413]
	RCFL-H*2621(RGLE-07?BRQ?)	26,000 [7.6]	19,400 [5.7]	6,600 [1.9]	13.00	16.00	73	775 [366]
	RCFL-H*2621(RGLE-10?BRM?)	26,400 [7.7]	20,050 [5.9]	6,350 [1.9]	13.00	16.00	73	875 [413]
	RCFL-H*2621(RGPE-05?BMK?)	25,800 [7.6]	19,250 [5.6]	6,550 [1.9]	13.00	16.00	73	800 [378]
	RCFL-H*2621(RGPE-07?AMK?)	25,800 [7.6]	19,250 [5.6]	6,550 [1.9]	13.00	16.00	73	825 [389]
	RCFL-H*2621(RGPE-07?BRQ?)	25,600 [7.5]	18,800 [5.5]	6,800 [2.0]	13.00	16.00	73	725 [342]
	RCFL-H*2621(RGPT-05?BMK?)	26,400 [7.7]	20,300 [5.9]	6,100 [1.8]	13.00	16.00	73	900 [425]
	RCFL-H*2621(RGRM-04?MAE?)	25,800 [7.6]	19,300 [5.7]	6,500 [1.9]	13.00	16.00	73	800 [378]
	RCFL-H*2621(RGRM-06?MAE?)	25,800 [7.6]	19,250 [5.6]	6,550 [1.9]	13.00	16.00	73	775 [366]
	RCFL-H*2621(RGRM-07?MAE?)	25,800 [7.6]	19,300 [5.7]	6,500 [1.9]	13.00	16.00	73	800 [378]
	RCFL-H*2621(RGRM-07?YBG?)	25,800 [7.6]	19,450 [5.7]	6,350 [1.9]	13.00	15.50	73	850 [401]
	RCFL-H*2621(RGRM-10?ZAJ?)	26,200 [7.7]	19,900 [5.8]	6,300 [1.8]	13.00	16.00	73	875 [413]
RCFL-H*2621(RGTM-06?MAE?)	25,800 [7.6]	19,250 [5.6]	6,550 [1.9]	13.00	16.00	73	825 [389]	
RCFL-H*2621(RGTM-07?RBG?)	26,000 [7.6]	19,450 [5.7]	6,550 [1.9]	13.00	16.00	73	800 [378]	
RCFL-H*2621(RHWP-04WMMX36A)	26,200 [7.7]	20,100 [5.9]	6,100 [1.8]	13.00	16.00	73	875 [413]	
RCFL-H*2621(ROCA-070E03)	25,800 [7.6]	19,250 [5.6]	6,550 [1.9]	13.00	16.00	73	800 [378]	
RCFL-H*2621(ROCA-070E04)	25,800 [7.6]	19,250 [5.6]	6,550 [1.9]	13.00	16.00	73	800 [378]	
RCFL-H*2621(ROLA-070E03)	25,800 [7.6]	19,250 [5.6]	6,550 [1.9]	13.00	16.00	73	800 [378]	
RCFL-H*2621(ROLA-070E04)	25,400 [7.4]	18,650 [5.5]	6,750 [2.0]	13.00	16.00	73	725 [342]	
RBHP-17(RCHL-24A2)	23,200 [6.8]	16,550 [4.8]	6,650 [1.9]	11.50	14.00	73	800 [378]	

① Highest sales volume tested combination required by D.O.E. test procedures.

[ ] Designates Metric Conversions

## Performance Data @ AHRI Standard Conditions—Cooling

Model Numbers		80°F [26.5°C] DB/67°F [19.5°C] WB Indoor Air 95°F [35°C] DB Outdoor Air					Sound Rating dB	Indoor CFM [L/s]	
Outdoor Unit RAPM-	Indoor Coil and/or Air Handler	Total Capacity BTU/H [kW]	Net Sensible BTU/H [kW]	Net Latent BTU/H [kW]	EER	SEER			
Rev. 6/14/12	RCQD-2417(RGFE-06?MCK?)	24,600 [7.2]	18,600 [5.4]	6,000 [1.8]	12.50	15.00	73	800 [378]	
	RCQD-2417(RGFE-07?MCK?)	24,600 [7.2]	18,600 [5.4]	6,000 [1.8]	12.50	15.00	73	825 [389]	
	RCQD-2417(RGFG-06?MCK?)	26,000 [7.6]	19,600 [5.7]	6,400 [1.9]	13.00	16.00	73	800 [378]	
	RCQD-2417(RGFG-07?MCK?)	26,200 [7.7]	19,800 [5.8]	6,400 [1.9]	13.00	16.00	73	800 [378]	
	RCQD-2417(RGJF-06?MCK?)	24,600 [7.2]	18,550 [5.4]	6,050 [1.8]	12.50	15.00	73	825 [389]	
	RCQD-2417(RGJF-07?MCK?)	24,600 [7.2]	18,600 [5.4]	6,000 [1.8]	12.50	15.00	73	800 [378]	
	RCQD-2417(RGPE-05?BMK?)	24,600 [7.2]	18,600 [5.4]	6,000 [1.8]	12.50	15.00	73	800 [378]	
	RCQD-2417(RGPE-07?AMK?)	24,600 [7.2]	18,600 [5.4]	6,000 [1.8]	12.50	15.00	73	825 [389]	
	RCQD-2417(RGPT-05?BMK?)	25,000 [7.3]	19,350 [5.7]	5,650 [1.7]	12.50	15.00	73	900 [425]	
	024JAZ	RCQD-2417(RGRM-04?MAE?)	25,600 [7.5]	20,050 [5.9]	5,550 [1.6]	13.00	15.50	73	800 [378]
		RCQD-2417(RGRM-06?MAE?)	25,600 [7.5]	20,050 [5.9]	5,550 [1.6]	13.00	15.50	73	825 [389]
		RCQD-2417(RGRM-07?MAE?)	25,800 [7.6]	20,400 [6.0]	5,400 [1.6]	12.50	15.00	73	850 [401]
		RCQD-2417(RHWP-04WMMX36A)	26,600 [7.8]	20,600 [6.0]	6,000 [1.8]	13.00	16.00	73	875 [413]
		RCQD-2417(ROCA-070E03)	24,600 [7.2]	18,600 [5.4]	6,000 [1.8]	12.50	15.10	73	800 [378]
		RCQD-2417(ROLA-070E03)	24,600 [7.2]	18,650 [5.5]	5,950 [1.7]	12.50	15.10	73	800 [378]
		RCQD-2417+RXMD-C04	24,800 [7.3]	18,750 [5.5]	6,050 [1.8]	11.50	14.00	73	800 [378]
		RHKL-HM2417(RCSL-H*2417)	25,600 [7.5]	19,100 [5.6]	6,500 [1.9]	13.00	16.00	73	850 [401]
		RHLL-HM2417(RCSL-H*2417)	25,600 [7.5]	18,900 [5.5]	6,700 [2.0]	13.00	16.00	73	775 [366]
		RHSL-HM2417(RCSL-H*2417)	25,000 [7.3]	18,450 [5.4]	6,550 [1.9]	12.00	14.50	73	800 [378]
030JAZ	RCFL-H*3617+RXMD-C04 ①	29,000 [8.5]	20,950 [6.1]	8,050 [2.4]	12.00	14.50	73	1,000 [472]	
	RCFL-A*3617(RGFE-06?MCK?)	29,200 [8.6]	21,100 [6.2]	8,100 [2.4]	13.00	15.00	73	1,000 [472]	
	RCFL-A*3617(RGFE-07?MCK?)	29,200 [8.6]	21,150 [6.2]	8,050 [2.4]	12.50	14.50	73	1,025 [484]	
	RCFL-A*3617(RGFG-06?MCK?)	28,800 [8.4]	20,200 [5.9]	8,600 [2.5]	13.00	15.50	73	875 [413]	
	RCFL-A*3617(RGFG-07?MCK?)	28,800 [8.4]	20,200 [5.9]	8,600 [2.5]	13.00	15.50	73	850 [401]	
	RCFL-A*3617(RGGE-06?MCK?)	29,400 [8.6]	21,300 [6.2]	8,100 [2.4]	12.50	15.10	73	1,025 [484]	
	RCFL-A*3617(RGGE-07?MCK?)	29,400 [8.6]	21,300 [6.2]	8,100 [2.4]	12.50	15.10	73	1,025 [484]	
	RCFL-A*3617(RGLE-07?AMK?)	29,400 [8.6]	21,300 [6.2]	8,100 [2.4]	13.00	15.50	73	1,025 [484]	
	RCFL-A*3617(RGLT-07?AMK?)	29,000 [8.5]	20,350 [6.0]	8,650 [2.5]	13.00	16.00	73	875 [413]	
	RCFL-A*3617(RGPE-05?BMK?)	29,400 [8.6]	21,300 [6.2]	8,100 [2.4]	12.50	15.10	73	975 [460]	
	RCFL-A*3617(RGPE-07?AMK?)	29,400 [8.6]	21,300 [6.2]	8,100 [2.4]	12.50	15.10	73	1,000 [472]	
	RCFL-A*3617(RGPT-05?BMK?)	28,800 [8.4]	20,100 [5.9]	8,700 [2.5]	13.00	15.50	73	850 [401]	
	RCFL-A*3617(RGPT-07?AMK?)	29,000 [8.5]	20,350 [6.0]	8,650 [2.5]	13.00	15.50	73	875 [413]	
	RCFL-A*3617(RGRM-04?MAE?)	29,200 [8.6]	21,100 [6.2]	8,100 [2.4]	12.00	14.50	73	1,025 [484]	
	RCFL-A*3617(RGRM-06?MAE?)	28,800 [8.4]	20,000 [5.9]	8,800 [2.6]	13.00	15.50	73	825 [389]	
	RCFL-A*3617(RGRM-07?MAE?)	28,800 [8.4]	20,100 [5.9]	8,700 [2.5]	12.50	15.10	73	850 [401]	
	RCFL-A*3617(RGTM-06?MAE?)	29,000 [8.5]	20,450 [6.0]	8,550 [2.5]	13.00	15.50	73	900 [425]	
	RCFL-A*3617(RHWP-04WMMX36A)	29,600 [8.7]	21,600 [6.3]	8,000 [2.3]	13.00	15.50	73	1,025 [484]	
	RCFL-A*3617(RHWP-06WMMX48A)	29,400 [8.6]	21,200 [6.2]	8,200 [2.4]	13.00	15.50	73	950 [448]	
	RCFL-A*3617(ROCA-070E03)	29,600 [8.7]	21,400 [6.3]	8,200 [2.4]	13.00	15.50	73	1,000 [472]	
	RCFL-A*3617(ROCA-070E04)	29,600 [8.7]	21,400 [6.3]	8,200 [2.4]	13.00	15.50	73	1,000 [472]	
	RCFL-A*3617(ROLA-070E03)	29,600 [8.7]	21,400 [6.3]	8,200 [2.4]	13.00	15.50	73	975 [460]	
	RCFL-A*3617(ROLA-070E04)	29,600 [8.7]	21,400 [6.3]	8,200 [2.4]	13.00	15.50	73	1,025 [484]	
	RCFL-A*3617+RXMD-C04	29,000 [8.5]	21,000 [6.2]	8,000 [2.3]	12.00	14.50	73	1,000 [472]	
	RCFL-A*3621(RGFE-06?MCK?)	29,400 [8.6]	21,300 [6.2]	8,100 [2.4]	12.50	15.10	73	1,000 [472]	
	RCFL-A*3621(RGFE-07?MCK?)	29,200 [8.6]	21,150 [6.2]	8,050 [2.4]	13.00	15.00	73	1,025 [484]	
	RCFL-A*3621(RGFE-09?ZCM?)	29,600 [8.7]	21,450 [6.3]	8,150 [2.4]	13.00	15.50	73	975 [460]	
	RCFL-A*3621(RGFE-10?ZCM?)	29,600 [8.7]	21,450 [6.3]	8,150 [2.4]	13.00	15.50	73	1,000 [472]	
	RCFL-A*3621(RGFG-06?MCK?)	28,800 [8.4]	20,200 [5.9]	8,600 [2.5]	13.00	15.50	73	875 [413]	

① Highest sales volume tested combination required by D.O.E. test procedures.

[ ] Designates Metric Conversions



## Performance Data @ AHRI Standard Conditions—Cooling

Model Numbers		80°F [26.5°C] DB/67°F [19.5°C] WB Indoor Air 95°F [35°C] DB Outdoor Air					Sound Rating dB	Indoor CFM [L/s]
Outdoor Unit RAPM-	Indoor Coil and/or Air Handler	Total Capacity BTU/H [kW]	Net Sensible BTU/H [kW]	Net Latent BTU/H [kW]	EER	SEER		
Rev. 6/14/12	RCFL-A*3621(RGFG-07?MCK?)	29,000 [8.5]	20,200 [5.9]	8,800 [2.6]	13.00	15.50	73	850 [401]
	RCFL-A*3621(RGFG-09?ZCM?)	29,000 [8.5]	20,400 [6.0]	8,600 [2.5]	13.00	16.00	73	875 [413]
	RCFL-A*3621(RGFG-10?ZCM?)	29,200 [8.6]	20,600 [6.0]	8,600 [2.5]	13.00	15.50	73	900 [425]
	RCFL-A*3621(RGGE-06?MCK?)	29,400 [8.6]	21,300 [6.2]	8,100 [2.4]	12.50	15.10	73	1,025 [484]
	RCFL-A*3621(RGGE-07?MCK?)	29,400 [8.6]	21,300 [6.2]	8,100 [2.4]	12.50	15.10	73	1,025 [484]
	RCFL-A*3621(RGGE-09?ZCM?)	29,600 [8.7]	21,450 [6.3]	8,150 [2.4]	13.00	15.50	73	1,000 [472]
	RCFL-A*3621(RGGE-10?ZCM?)	29,600 [8.7]	21,450 [6.3]	8,150 [2.4]	13.00	15.50	73	1,000 [472]
	RCFL-A*3621(RGLE-07?AMK?)	29,400 [8.6]	21,250 [6.2]	8,150 [2.4]	13.00	15.50	73	1,025 [484]
	RCFL-A*3621(RGLE-07?BRQ?)	29,400 [8.6]	20,900 [6.1]	8,500 [2.5]	13.00	16.00	73	925 [437]
	RCFL-A*3621(RGLE-10?BRM?)	29,800 [8.7]	21,800 [6.4]	8,000 [2.3]	13.00	16.00	73	1,050 [495]
	RCFL-A*3621(RGLT-07?AMK?)	29,200 [8.6]	20,500 [6.0]	8,700 [2.5]	13.00	16.00	73	875 [413]
	RCFL-A*3621(RGLT-07?BRQ?)	29,800 [8.7]	21,550 [6.3]	8,250 [2.4]	13.00	16.00	73	975 [460]
	RCFL-A*3621(RGLT-10?BRM?)	29,800 [8.7]	21,550 [6.3]	8,250 [2.4]	13.00	16.00	73	975 [460]
	RCFL-A*3621(RGPE-05?BMK?)	29,400 [8.6]	21,300 [6.2]	8,100 [2.4]	12.50	15.10	73	975 [460]
	RCFL-A*3621(RGPE-07?AMK?)	29,400 [8.6]	21,250 [6.2]	8,150 [2.4]	13.00	15.50	73	1,000 [472]
	RCFL-A*3621(RGPE-07?BRQ?)	29,600 [8.7]	21,450 [6.3]	8,150 [2.4]	13.00	16.00	73	1,025 [484]
	RCFL-A*3621(RGPE-10?BRM?)	30,000 [8.8]	22,100 [6.5]	7,900 [2.3]	13.00	16.00	73	1,075 [507]
	RCFL-A*3621(RGPT-05?BMK?)	29,000 [8.5]	20,350 [6.0]	8,650 [2.5]	13.00	15.50	73	875 [413]
	RCFL-A*3621(RGPT-07?AMK?)	29,000 [8.5]	20,500 [6.0]	8,500 [2.5]	13.00	15.50	73	875 [413]
	RCFL-A*3621(RGPT-07?BRQ?)	29,800 [8.7]	21,800 [6.4]	8,000 [2.3]	13.00	16.00	73	975 [460]
	RCFL-A*3621(RGPT-10?BRM?)	29,800 [8.7]	21,550 [6.3]	8,250 [2.4]	13.00	16.00	73	975 [460]
	RCFL-A*3621(RGRM-04?MAE?)	29,200 [8.6]	21,100 [6.2]	8,100 [2.4]	12.00	14.50	73	1,025 [484]
	RCFL-A*3621(RGRM-06?MAE?)	28,800 [8.4]	20,000 [5.9]	8,800 [2.6]	13.00	15.50	73	825 [389]
	RCFL-A*3621(RGRM-07?MAE?)	28,800 [8.4]	20,100 [5.9]	8,700 [2.5]	12.50	15.10	73	850 [401]
	RCFL-A*3621(RGRM-07?YBG?)	29,200 [8.6]	21,100 [6.2]	8,100 [2.4]	12.00	14.50	73	975 [460]
	RCFL-A*3621(RGRM-09?ZAJ?)	29,200 [8.6]	20,900 [6.1]	8,300 [2.4]	13.00	15.50	73	950 [448]
	RCFL-A*3621(RGRM-10?ZAJ?)	29,400 [8.6]	21,300 [6.2]	8,100 [2.4]	12.50	15.10	73	1,025 [484]
	RCFL-A*3621(RGTM-06?MAE?)	29,000 [8.5]	20,450 [6.0]	8,550 [2.5]	13.00	15.50	73	900 [425]
	RCFL-A*3621(RGTM-07?RBG?)	29,400 [8.6]	21,000 [6.2]	8,400 [2.5]	13.00	15.50	73	950 [448]
	RCFL-A*3621(RGTM-09?ZAJ?)	29,600 [8.7]	21,400 [6.3]	8,200 [2.4]	13.00	16.00	73	975 [460]
	RCFL-A*3621(RHWB-04WMX36A)	29,600 [8.7]	21,600 [6.3]	8,000 [2.3]	13.00	15.50	73	1,025 [484]
	RCFL-A*3621(RHWB-06WMX48A)	29,600 [8.7]	21,600 [6.3]	8,000 [2.3]	13.00	15.50	73	975 [460]
	RCFL-A*3621(ROCA-070E03)	29,600 [8.7]	21,400 [6.3]	8,200 [2.4]	13.00	15.50	73	1,000 [472]
	RCFL-A*3621(ROCA-070E04)	29,600 [8.7]	21,400 [6.3]	8,200 [2.4]	13.00	15.50	73	1,000 [472]
	RCFL-A*3621(ROLA-070E03)	29,200 [8.6]	20,600 [6.0]	8,600 [2.5]	13.00	16.00	73	900 [425]
	RCFL-A*3621(ROLA-070E04)	29,200 [8.6]	20,600 [6.0]	8,600 [2.5]	13.00	16.00	73	900 [425]
	RCFL-A*3621(ROLA-115E05)	29,200 [8.6]	20,600 [6.0]	8,600 [2.5]	13.00	16.00	73	900 [425]
	RCFL-A*3621+RXMD-C04	29,000 [8.5]	21,000 [6.2]	8,000 [2.3]	12.00	14.50	73	1,000 [472]
	RCFL-A*3821(RGFG-06?MCK?)	29,800 [8.7]	21,350 [6.3]	8,450 [2.5]	13.00	15.50	73	875 [413]
	RCFL-A*3821(RGFG-07?MCK?)	29,800 [8.7]	21,200 [6.2]	8,600 [2.5]	13.00	16.00	73	850 [401]
	RCFL-A*3821(RGFG-09?ZCM?)	30,000 [8.8]	21,500 [6.3]	8,500 [2.5]	13.00	16.00	73	875 [413]
	RCFL-A*3821(RGFG-10?ZCM?)	30,200 [8.8]	21,800 [6.4]	8,400 [2.5]	13.00	16.00	73	900 [425]
RCFL-A*3821(RGLT-07?AMK?)	30,000 [8.8]	21,750 [6.4]	8,250 [2.4]	13.00	16.00	73	925 [437]	
RCFL-A*3821(RGLT-07?BRQ?)	30,600 [9.0]	22,700 [6.7]	7,900 [2.3]	13.00	16.00	73	1,025 [484]	
RCFL-A*3821(RGLT-10?BRM?)	30,600 [9.0]	22,700 [6.7]	7,900 [2.3]	13.00	16.00	73	1,025 [484]	
RCFL-A*3821(RGPT-05?BMK?)	29,800 [8.7]	21,450 [6.3]	8,350 [2.4]	13.00	15.50	73	900 [425]	
RCFL-A*3821(RGPT-07?AMK?)	30,000 [8.8]	21,750 [6.4]	8,250 [2.4]	13.00	16.00	73	925 [437]	
RCFL-A*3821(RGPT-07?BRQ?)	30,600 [9.0]	22,700 [6.7]	7,900 [2.3]	13.00	16.00	73	1,025 [484]	

030JAZ

① Highest sales volume tested combination required by D.O.E. test procedures.

[ ] Designates Metric Conversions

## Performance Data @ AHRI Standard Conditions—Cooling

Model Numbers		80°F [26.5°C] DB/67°F [19.5°C] WB Indoor Air 95°F [35°C] DB Outdoor Air					Sound Rating dB	Indoor CFM [L/s]
Outdoor Unit RAPM-	Indoor Coil and/or Air Handler	Total Capacity BTU/H [kW]	Net Sensible BTU/H [kW]	Net Latent BTU/H [kW]	EER	SEER		
Rev. 6/14/12	RCFL-A*3821(RGPT-10?BRM?)	30,600 [9.0]	22,700 [6.7]	7,900 [2.3]	13.00	16.00	73	1,025 [484]
	RCFL-A*3821(RHWB-04WMX36A)	31,000 [9.1]	23,400 [6.9]	7,600 [2.2]	13.00	16.00	73	1,075 [507]
	RCFL-A*3821(RHWB-06WMX48A)	30,600 [9.0]	22,800 [6.7]	7,800 [2.3]	13.00	16.00	73	1,000 [472]
	RCFL-A*3821(ROCA-070E03)	30,200 [8.8]	22,200 [6.5]	8,000 [2.3]	13.00	15.50	73	1,000 [472]
	RCFL-A*3821(ROCA-070E04)	30,200 [8.8]	22,200 [6.5]	8,000 [2.3]	13.00	15.50	73	1,000 [472]
	RCFL-A*3821(ROLA-070E03)	30,200 [8.8]	22,200 [6.5]	8,000 [2.3]	13.00	16.00	73	975 [460]
	RCFL-A*3821(ROLA-070E04)	30,400 [8.9]	22,550 [6.6]	7,850 [2.3]	13.00	16.00	73	1,025 [484]
	RCFL-A*3821(ROLA-115E05)	30,600 [9.0]	22,800 [6.7]	7,800 [2.3]	13.00	16.00	73	1,050 [495]
	RCFL-A*3824(RGFG-09?ZCM?)	30,000 [8.8]	21,500 [6.3]	8,500 [2.5]	13.00	16.00	73	875 [413]
	RCFL-A*3824(RGFG-10?ZCM?)	30,000 [8.8]	21,600 [6.3]	8,400 [2.5]	13.00	16.00	73	900 [425]
	RCFL-A*3824(RGFG-12?RCM?)	30,000 [8.8]	21,450 [6.3]	8,550 [2.5]	13.00	16.00	73	875 [413]
	RCFL-A*3824(RGLT-07?BRQ?)	30,600 [9.0]	22,700 [6.7]	7,900 [2.3]	13.00	16.00	73	1,025 [484]
	RCFL-A*3824(RGLT-10?BRM?)	30,600 [9.0]	22,700 [6.7]	7,900 [2.3]	13.00	16.00	73	1,025 [484]
	RCFL-A*3824(RGLT-12?ARM?)	30,400 [8.9]	22,350 [6.5]	8,050 [2.4]	13.00	16.00	73	975 [460]
	RCFL-A*3824(RGPT-07?BRQ?)	30,600 [9.0]	22,700 [6.7]	7,900 [2.3]	13.00	16.00	73	1,025 [484]
	RCFL-A*3824(RGPT-10?BRM?)	30,600 [9.0]	22,700 [6.7]	7,900 [2.3]	13.00	16.00	73	1,025 [484]
	RCFL-A*3824(RGPT-12?ARM?)	30,400 [8.9]	22,350 [6.5]	8,050 [2.4]	13.00	16.00	73	975 [460]
	RCFL-A*3824(ROCA-070E03)	30,200 [8.8]	22,200 [6.5]	8,000 [2.3]	13.00	15.50	73	1,000 [472]
	RCFL-A*3824(ROCA-070E04)	30,200 [8.8]	22,200 [6.5]	8,000 [2.3]	13.00	15.50	73	1,000 [472]
	RCFL-A*3824(ROLA-070E03)	30,200 [8.8]	22,200 [6.5]	8,000 [2.3]	13.00	16.00	73	975 [460]
	RCFL-A*3824(ROLA-070E04)	30,200 [8.8]	22,200 [6.5]	8,000 [2.3]	13.00	16.00	73	975 [460]
	RCFL-A*3824(ROLA-115E05)	29,800 [8.7]	21,450 [6.3]	8,350 [2.4]	13.00	16.00	73	900 [425]
	RCFL-H*3617(RGFE-06?MCK?)	29,200 [8.6]	21,100 [6.2]	8,100 [2.4]	12.50	15.00	73	1,000 [472]
	RCFL-H*3617(RGFE-07?MCK?)	29,200 [8.6]	21,150 [6.2]	8,050 [2.4]	12.50	14.50	73	1,025 [484]
	RCFL-H*3617(RGFG-06?MCK?)	28,800 [8.4]	20,200 [5.9]	8,600 [2.5]	13.00	15.50	73	875 [413]
	RCFL-H*3617(RGFG-07?MCK?)	28,800 [8.4]	20,200 [5.9]	8,600 [2.5]	13.00	15.50	73	850 [401]
	RCFL-H*3617(RGGE-06?MCK?)	29,400 [8.6]	21,300 [6.2]	8,100 [2.4]	12.50	15.10	73	1,025 [484]
	RCFL-H*3617(RGGE-07?MCK?)	29,400 [8.6]	21,300 [6.2]	8,100 [2.4]	12.50	15.10	73	1,025 [484]
	RCFL-H*3617(RGJF-06?MCK?)	29,400 [8.6]	21,300 [6.2]	8,100 [2.4]	12.50	15.10	73	1,025 [484]
	RCFL-H*3617(RGJF-07?MCK?)	29,400 [8.6]	21,300 [6.2]	8,100 [2.4]	12.50	15.10	73	1,025 [484]
	RCFL-H*3617(RGLE-07?AMK?)	29,400 [8.6]	21,300 [6.2]	8,100 [2.4]	13.00	15.50	73	1,025 [484]
	RCFL-H*3617(RGLT-07?AMK?)	29,000 [8.5]	20,350 [6.0]	8,650 [2.5]	13.00	16.00	73	875 [413]
	RCFL-H*3617(RGPE-05?BMK?)	29,400 [8.6]	21,300 [6.2]	8,100 [2.4]	12.50	15.10	73	975 [460]
	RCFL-H*3617(RGPE-07?AMK?)	29,400 [8.6]	21,300 [6.2]	8,100 [2.4]	12.50	15.10	73	1,000 [472]
	RCFL-H*3617(RGPT-05?BMK?)	28,800 [8.4]	20,100 [5.9]	8,700 [2.5]	13.00	15.50	73	850 [401]
	RCFL-H*3617(RGPT-07?AMK?)	29,000 [8.5]	20,350 [6.0]	8,650 [2.5]	13.00	15.50	73	875 [413]
	RCFL-H*3617(RGRM-04?MAE?)	29,200 [8.6]	21,100 [6.2]	8,100 [2.4]	12.00	14.50	73	1,025 [484]
	RCFL-H*3617(RGRM-06?MAE?)	28,800 [8.4]	20,000 [5.9]	8,800 [2.6]	13.00	15.50	73	825 [389]
	RCFL-H*3617(RGRM-07?MAE?)	28,800 [8.4]	20,100 [5.9]	8,700 [2.5]	12.50	15.10	73	850 [401]
	RCFL-H*3617(RGTM-06?MAE?)	29,000 [8.5]	20,450 [6.0]	8,550 [2.5]	13.00	15.50	73	900 [425]
	RCFL-H*3617(RHWB-04WMX36A)	29,600 [8.7]	21,600 [6.3]	8,000 [2.3]	13.00	15.50	73	1,025 [484]
	RCFL-H*3617(RHWB-06WMX48A)	29,400 [8.6]	21,200 [6.2]	8,200 [2.4]	13.00	15.50	73	950 [448]
RCFL-H*3617(ROCA-070E03)	29,600 [8.7]	21,400 [6.3]	8,200 [2.4]	13.00	15.50	73	1,000 [472]	
RCFL-H*3617(ROCA-070E04)	29,600 [8.7]	21,400 [6.3]	8,200 [2.4]	13.00	15.50	73	1,000 [472]	
RCFL-H*3617(ROLA-070E03)	29,600 [8.7]	21,400 [6.3]	8,200 [2.4]	13.00	15.50	73	975 [460]	
RCFL-H*3617(ROLA-070E04)	29,600 [8.7]	21,400 [6.3]	8,200 [2.4]	13.00	15.50	73	1,025 [484]	
RCFL-H*3621(RGFE-06?MCK?)	29,400 [8.6]	21,300 [6.2]	8,100 [2.4]	12.50	15.10	73	1,000 [472]	
RCFL-H*3621(RGFE-07?MCK?)	29,200 [8.6]	21,150 [6.2]	8,050 [2.4]	13.00	15.00	73	1,025 [484]	

① Highest sales volume tested combination required by D.O.E. test procedures.

[ ] Designates Metric Conversions



# Performance Data @ AHRI Standard Conditions—Cooling

Model Numbers		80°F [26.5°C] DB/67°F [19.5°C] WB Indoor Air 95°F [35°C] DB Outdoor Air					Sound Rating dB	Indoor CFM [L/s]
Outdoor Unit RAPM-	Indoor Coil and/or Air Handler	Total Capacity BTU/H [kW]	Net Sensible BTU/H [kW]	Net Latent BTU/H [kW]	EER	SEER		
Rev. 6/14/12	RCFL-H*3621(RGFE-09?ZCM?)	29,600 [8.7]	21,450 [6.3]	8,150 [2.4]	13.00	15.50	73	975 [460]
	RCFL-H*3621(RGFE-10?ZCM?)	29,600 [8.7]	21,450 [6.3]	8,150 [2.4]	13.00	15.50	73	1,000 [472]
	RCFL-H*3621(RGFG-06?MCK?)	28,800 [8.4]	20,200 [5.9]	8,600 [2.5]	13.00	15.50	73	875 [413]
	RCFL-H*3621(RGFG-07?MCK?)	29,000 [8.5]	20,200 [5.9]	8,800 [2.6]	13.00	15.50	73	850 [401]
	RCFL-H*3621(RGFG-09?ZCM?)	29,000 [8.5]	20,400 [6.0]	8,600 [2.5]	13.00	16.00	73	875 [413]
	RCFL-H*3621(RGFG-10?ZCM?)	29,200 [8.6]	20,600 [6.0]	8,600 [2.5]	13.00	15.50	73	900 [425]
	RCFL-H*3621(RGGE-06?MCK?)	29,400 [8.6]	21,300 [6.2]	8,100 [2.4]	12.50	15.10	73	1,025 [484]
	RCFL-H*3621(RGGE-07?MCK?)	29,400 [8.6]	21,300 [6.2]	8,100 [2.4]	12.50	15.10	73	1,025 [484]
	RCFL-H*3621(RGGE-09?ZCM?)	29,600 [8.7]	21,450 [6.3]	8,150 [2.4]	13.00	15.50	73	1,000 [472]
	RCFL-H*3621(RGGE-10?ZCM?)	29,600 [8.7]	21,450 [6.3]	8,150 [2.4]	13.00	15.50	73	1,000 [472]
	RCFL-H*3621(RGJF-06?MCK?)	29,400 [8.6]	21,300 [6.2]	8,100 [2.4]	12.50	15.10	73	1,025 [484]
	RCFL-H*3621(RGJF-07?MCK?)	29,400 [8.6]	21,300 [6.2]	8,100 [2.4]	12.50	15.10	73	1,025 [484]
	RCFL-H*3621(RGJF-09?ZCM?)	29,600 [8.7]	21,450 [6.3]	8,150 [2.4]	13.00	15.50	73	1,000 [472]
	RCFL-H*3621(RGJF-10?ZCM?)	29,600 [8.7]	21,450 [6.3]	8,150 [2.4]	13.00	15.50	73	1,000 [472]
	RCFL-H*3621(RGLE-07?AMK?)	29,400 [8.6]	21,250 [6.2]	8,150 [2.4]	13.00	15.50	73	1,025 [484]
	RCFL-H*3621(RGLE-07?BRQ?)	29,400 [8.6]	20,900 [6.1]	8,500 [2.5]	13.00	16.00	73	925 [437]
	RCFL-H*3621(RGLE-10?BRM?)	29,800 [8.7]	21,800 [6.4]	8,000 [2.3]	13.00	16.00	73	1,050 [495]
	RCFL-H*3621(RGLT-07?AMK?)	29,200 [8.6]	20,500 [6.0]	8,700 [2.5]	13.00	16.00	73	875 [413]
	RCFL-H*3621(RGLT-07?BRQ?)	29,800 [8.7]	21,550 [6.3]	8,250 [2.4]	13.00	16.00	73	975 [460]
	RCFL-H*3621(RGLT-10?BRM?)	29,800 [8.7]	21,550 [6.3]	8,250 [2.4]	13.00	16.00	73	975 [460]
	RCFL-H*3621(RGPE-05?BMK?)	29,400 [8.6]	21,300 [6.2]	8,100 [2.4]	12.50	15.10	73	975 [460]
	RCFL-H*3621(RGPE-07?AMK?)	29,400 [8.6]	21,250 [6.2]	8,150 [2.4]	13.00	15.50	73	1,000 [472]
	RCFL-H*3621(RGPE-07?BRQ?)	29,600 [8.7]	21,450 [6.3]	8,150 [2.4]	13.00	16.00	73	1,025 [484]
	RCFL-H*3621(RGPE-10?BRM?)	30,000 [8.8]	22,100 [6.5]	7,900 [2.3]	13.00	16.00	73	1,075 [507]
	RCFL-H*3621(RGPT-05?BMK?)	29,000 [8.5]	20,350 [6.0]	8,650 [2.5]	13.00	15.50	73	875 [413]
	RCFL-H*3621(RGPT-07?AMK?)	29,000 [8.5]	20,500 [6.0]	8,500 [2.5]	13.00	15.50	73	875 [413]
	RCFL-H*3621(RGPT-07?BRQ?)	29,800 [8.7]	21,800 [6.4]	8,000 [2.3]	13.00	16.00	73	975 [460]
	RCFL-H*3621(RGPT-10?BRM?)	29,800 [8.7]	21,550 [6.3]	8,250 [2.4]	13.00	16.00	73	975 [460]
	RCFL-H*3621(RGRM-04?MAE?)	29,200 [8.6]	21,100 [6.2]	8,100 [2.4]	12.00	14.50	73	1,025 [484]
	RCFL-H*3621(RGRM-06?MAE?)	28,800 [8.4]	20,000 [5.9]	8,800 [2.6]	13.00	15.50	73	825 [389]
	RCFL-H*3621(RGRM-07?MAE?)	28,800 [8.4]	20,100 [5.9]	8,700 [2.5]	12.50	15.10	73	850 [401]
	RCFL-H*3621(RGRM-07?YBG?)	29,200 [8.6]	21,100 [6.2]	8,100 [2.4]	12.00	14.50	73	975 [460]
	RCFL-H*3621(RGRM-09?ZAJ?)	29,200 [8.6]	20,900 [6.1]	8,300 [2.4]	13.00	15.50	73	950 [448]
	RCFL-H*3621(RGRM-10?ZAJ?)	29,400 [8.6]	21,300 [6.2]	8,100 [2.4]	12.50	15.10	73	1,025 [484]
	RCFL-H*3621(RGTM-06?MAE?)	29,000 [8.5]	20,450 [6.0]	8,550 [2.5]	13.00	15.50	73	900 [425]
	RCFL-H*3621(RGTM-07?RBG?)	29,400 [8.6]	21,000 [6.2]	8,400 [2.5]	13.00	15.50	73	950 [448]
	RCFL-H*3621(RGTM-09?ZAJ?)	29,600 [8.7]	21,400 [6.3]	8,200 [2.4]	13.00	16.00	73	975 [460]
	RCFL-H*3621(RHWP-04WXM36A)	29,600 [8.7]	21,600 [6.3]	8,000 [2.3]	13.00	15.50	73	1,025 [484]
	RCFL-H*3621(RHWP-06WXM48A)	29,600 [8.7]	21,600 [6.3]	8,000 [2.3]	13.00	15.50	73	975 [460]
	RCFL-H*3621(ROCA-070E03)	29,600 [8.7]	21,400 [6.3]	8,200 [2.4]	13.00	15.50	73	1,000 [472]
	RCFL-H*3621(ROCA-070E04)	29,600 [8.7]	21,400 [6.3]	8,200 [2.4]	13.00	15.50	73	1,000 [472]
	RCFL-H*3621(ROLA-070E03)	29,200 [8.6]	20,600 [6.0]	8,600 [2.5]	13.00	16.00	73	900 [425]
	RCFL-H*3621(ROLA-070E04)	29,200 [8.6]	20,600 [6.0]	8,600 [2.5]	13.00	16.00	73	900 [425]
	RCFL-H*3621(ROLA-115E05)	29,200 [8.6]	20,600 [6.0]	8,600 [2.5]	13.00	16.00	73	900 [425]
	RCFL-H*3621+RXMD-C04	29,000 [8.5]	21,000 [6.2]	8,000 [2.3]	12.00	14.50	73	1,000 [472]
	RCFL-H*3821(RGFE-06?MCK?)	30,000 [8.8]	22,050 [6.5]	7,950 [2.3]	12.50	15.10	73	1,000 [472]
	RCFL-H*3821(RGFE-07?MCK?)	30,200 [8.8]	22,400 [6.6]	7,800 [2.3]	12.50	15.10	73	1,025 [484]
	RCFL-H*3821(RGFE-09?ZCM?)	30,200 [8.8]	22,200 [6.5]	8,000 [2.3]	13.00	16.00	73	975 [460]

① Highest sales volume tested combination required by D.O.E. test procedures.

[ ] Designates Metric Conversions



## Performance Data @ AHRI Standard Conditions—Cooling

Model Numbers		80°F [26.5°C] DB/67°F [19.5°C] WB Indoor Air 95°F [35°C] DB Outdoor Air					Sound Rating dB	Indoor CFM [L/s]	
Outdoor Unit RAPM-	Indoor Coil and/or Air Handler	Total Capacity BTU/H [kW]	Net Sensible BTU/H [kW]	Net Latent BTU/H [kW]	EER	SEER			
030JAZ	Rev. 6/14/12	RCFL-H*3821(RGFE-10?ZCM?)	30,200 [8.8]	22,200 [6.5]	8,000 [2.3]	13.00	16.00	73	1,000 [472]
		RCFL-H*3821(RGFG-06?MCK?)	29,800 [8.7]	21,350 [6.3]	8,450 [2.5]	13.00	15.50	73	875 [413]
		RCFL-H*3821(RGFG-07?MCK?)	29,800 [8.7]	21,200 [6.2]	8,600 [2.5]	13.00	16.00	73	850 [401]
		RCFL-H*3821(RGFG-09?ZCM?)	30,000 [8.8]	21,500 [6.3]	8,500 [2.5]	13.00	16.00	73	875 [413]
		RCFL-H*3821(RGFG-10?ZCM?)	30,200 [8.8]	21,800 [6.4]	8,400 [2.5]	13.00	16.00	73	900 [425]
		RCFL-H*3821(RGGE-06?MCK?)	30,200 [8.8]	22,350 [6.5]	7,850 [2.3]	12.50	15.10	73	1,025 [484]
		RCFL-H*3821(RGGE-07?MCK?)	30,200 [8.8]	22,350 [6.5]	7,850 [2.3]	13.00	15.50	73	1,025 [484]
		RCFL-H*3821(RGGE-09?ZCM?)	30,200 [8.8]	22,200 [6.5]	8,000 [2.3]	13.00	16.00	73	1,000 [472]
		RCFL-H*3821(RGGE-10?ZCM?)	30,200 [8.8]	22,200 [6.5]	8,000 [2.3]	13.00	16.00	73	1,000 [472]
		RCFL-H*3821(RGJF-06?MCK?)	30,200 [8.8]	22,350 [6.5]	7,850 [2.3]	13.00	15.50	73	1,025 [484]
		RCFL-H*3821(RGJF-07?MCK?)	30,200 [8.8]	22,350 [6.5]	7,850 [2.3]	13.00	15.50	73	1,025 [484]
		RCFL-H*3821(RGJF-09?ZCM?)	30,400 [8.9]	22,550 [6.6]	7,850 [2.3]	13.00	16.00	73	1,025 [484]
		RCFL-H*3821(RGJF-10?ZCM?)	30,200 [8.8]	22,200 [6.5]	8,000 [2.3]	13.00	16.00	73	1,000 [472]
		RCFL-H*3821(RGLE-07?AMK?)	30,400 [8.9]	22,550 [6.6]	7,850 [2.3]	13.00	16.00	73	1,025 [484]
		RCFL-H*3821(RGLE-07?BRQ?)	30,400 [8.9]	22,500 [6.6]	7,900 [2.3]	13.00	16.00	73	1,025 [484]
		RCFL-H*3821(RGLE-10?BRM?)	30,600 [9.0]	22,800 [6.7]	7,800 [2.3]	13.00	16.00	73	1,050 [495]
		RCFL-H*3821(RGLT-07?AMK?)	30,000 [8.8]	21,750 [6.4]	8,250 [2.4]	13.00	16.00	73	925 [437]
		RCFL-H*3821(RGLT-07?BRQ?)	30,600 [9.0]	22,700 [6.7]	7,900 [2.3]	13.00	16.00	73	1,025 [484]
		RCFL-H*3821(RGLT-10?BRM?)	30,600 [9.0]	22,700 [6.7]	7,900 [2.3]	13.00	16.00	73	1,025 [484]
		RCFL-H*3821(RGPE-05?BMK?)	30,200 [8.8]	22,250 [6.5]	7,950 [2.3]	13.00	15.50	73	975 [460]
		RCFL-H*3821(RGPE-07?AMK?)	29,800 [8.7]	21,450 [6.3]	8,350 [2.4]	13.00	16.00	73	900 [425]
		RCFL-H*3821(RGPE-07?BRQ?)	30,400 [8.9]	22,500 [6.6]	7,900 [2.3]	13.00	16.00	73	1,025 [484]
		RCFL-H*3821(RGPE-10?BRM?)	30,000 [8.8]	21,600 [6.3]	8,400 [2.5]	13.00	16.00	73	900 [425]
		RCFL-H*3821(RGPT-05?BMK?)	29,800 [8.7]	21,450 [6.3]	8,350 [2.4]	13.00	15.50	73	900 [425]
		RCFL-H*3821(RGPT-07?AMK?)	30,000 [8.8]	21,750 [6.4]	8,250 [2.4]	13.00	16.00	73	925 [437]
		RCFL-H*3821(RGPT-07?BRQ?)	30,600 [9.0]	22,700 [6.7]	7,900 [2.3]	13.00	16.00	73	1,025 [484]
		RCFL-H*3821(RGPT-10?BRM?)	30,600 [9.0]	22,700 [6.7]	7,900 [2.3]	13.00	16.00	73	1,025 [484]
		RCFL-H*3821(RGRM-04?MAE?)	29,800 [8.7]	21,600 [6.3]	8,200 [2.4]	12.50	15.10	73	925 [437]
		RCFL-H*3821(RGRM-06?MAE?)	30,000 [8.8]	22,100 [6.5]	7,900 [2.3]	12.50	15.10	73	1,000 [472]
		RCFL-H*3821(RGRM-07?MAE?)	29,600 [8.7]	21,550 [6.3]	8,050 [2.4]	13.00	15.00	73	950 [448]
		RCFL-H*3821(RGRM-07?YBG?)	30,000 [8.8]	22,100 [6.5]	7,900 [2.3]	13.00	15.00	73	975 [460]
		RCFL-H*3821(RGRM-09?ZAJ?)	30,000 [8.8]	21,850 [6.4]	8,150 [2.4]	13.00	15.50	73	950 [448]
		RCFL-H*3821(RGRM-10?ZAJ?)	30,200 [8.8]	22,350 [6.5]	7,850 [2.3]	13.00	15.50	73	1,025 [484]
		RCFL-H*3821(RGTM-06?MAE?)	29,800 [8.7]	21,450 [6.3]	8,350 [2.4]	13.00	16.00	73	900 [425]
		RCFL-H*3821(RGTM-07?RBG?)	30,000 [8.8]	21,850 [6.4]	8,150 [2.4]	13.00	16.00	73	950 [448]
		RCFL-H*3821(RGTM-09?ZAJ?)	30,400 [8.9]	22,400 [6.6]	8,000 [2.3]	13.00	16.00	73	975 [460]
		RCFL-H*3821(ROCA-070E03)	30,200 [8.8]	22,200 [6.5]	8,000 [2.3]	13.00	15.50	73	1,000 [472]
		RCFL-H*3821(ROCA-070E04)	30,200 [8.8]	22,200 [6.5]	8,000 [2.3]	13.00	15.50	73	1,000 [472]
		RCFL-H*3821(ROLA-070E03)	30,200 [8.8]	22,200 [6.5]	8,000 [2.3]	13.00	16.00	73	975 [460]
		RCFL-H*3821(ROLA-070E04)	30,400 [8.9]	22,550 [6.6]	7,850 [2.3]	13.00	16.00	73	1,025 [484]
		RCFL-H*3821(ROLA-115E05)	30,600 [9.0]	22,800 [6.7]	7,800 [2.3]	13.00	16.00	73	1,050 [495]
		RCFL-H*3821+RXMD-C04	29,800 [8.7]	21,950 [6.4]	7,850 [2.3]	12.00	14.50	73	995 [470]
		RCFL-H*3824(RGFE-09?ZCM?)	30,400 [8.9]	22,550 [6.6]	7,850 [2.3]	13.00	15.50	73	1,025 [484]
		RCFL-H*3824(RGFE-10?ZCM?)	29,800 [8.7]	21,450 [6.3]	8,350 [2.4]	13.00	16.00	73	900 [425]
		RCFL-H*3824(RGFE-12?RCM?)	30,400 [8.9]	22,400 [6.6]	8,000 [2.3]	13.00	16.00	73	975 [460]
	RCFL-H*3824(RGFG-09?ZCM?)	30,000 [8.8]	21,500 [6.3]	8,500 [2.5]	13.00	16.00	73	875 [413]	
	RCFL-H*3824(RGFG-10?ZCM?)	30,000 [8.8]	21,600 [6.3]	8,400 [2.5]	13.00	16.00	73	900 [425]	
	RCFL-H*3824(RGFG-12?RCM?)	30,000 [8.8]	21,450 [6.3]	8,550 [2.5]	13.00	16.00	73	875 [413]	

① Highest sales volume tested combination required by D.O.E. test procedures.

[ ] Designates Metric Conversions



## Performance Data @ AHRI Standard Conditions—Cooling

Model Numbers		80°F [26.5°C] DB/67°F [19.5°C] WB Indoor Air 95°F [35°C] DB Outdoor Air					Sound Rating dB	Indoor CFM [L/s]
Outdoor Unit RAPM-	Indoor Coil and/or Air Handler	Total Capacity BTU/H [kW]	Net Sensible BTU/H [kW]	Net Latent BTU/H [kW]	EER	SEER		
Rev. 6/14/12	RCFL-H*3824(RGGE-09?ZCM?)	30,200 [8.8]	22,200 [6.5]	8,000 [2.3]	13.00	16.00	73	1,000 [472]
	RCFL-H*3824(RGGE-10?ZCM?)	30,200 [8.8]	22,200 [6.5]	8,000 [2.3]	13.00	16.00	73	1,000 [472]
	RCFL-H*3824(RGGE-12?RCM?)	30,600 [9.0]	22,800 [6.7]	7,800 [2.3]	13.00	16.00	73	1,050 [495]
	RCFL-H*3824(RGJF-09?ZCM?)	30,400 [8.9]	22,550 [6.6]	7,850 [2.3]	13.00	16.00	73	1,025 [484]
	RCFL-H*3824(RGJF-10?ZCM?)	30,400 [8.9]	22,650 [6.6]	7,750 [2.3]	13.00	15.50	73	1,050 [495]
	RCFL-H*3824(RGJF-12?RCM?)	30,600 [9.0]	22,800 [6.7]	7,800 [2.3]	13.00	16.00	73	1,050 [495]
	RCFL-H*3824(RGLE-07?BRQ?)	30,000 [8.8]	21,700 [6.4]	8,300 [2.4]	13.00	16.00	73	925 [437]
	RCFL-H*3824(RGLE-10?BRM?)	29,800 [8.7]	21,350 [6.3]	8,450 [2.5]	13.00	16.00	73	875 [413]
	RCFL-H*3824(RGLE-12?ARM?)	30,200 [8.8]	21,900 [6.4]	8,300 [2.4]	13.00	16.00	73	925 [437]
	RCFL-H*3824(RGLT-07?BRQ?)	30,600 [9.0]	22,700 [6.7]	7,900 [2.3]	13.00	16.00	73	1,025 [484]
	RCFL-H*3824(RGLT-10?BRM?)	30,600 [9.0]	22,700 [6.7]	7,900 [2.3]	13.00	16.00	73	1,025 [484]
	RCFL-H*3824(RGLT-12?ARM?)	30,400 [8.9]	22,350 [6.5]	8,050 [2.4]	13.00	16.00	73	975 [460]
	RCFL-H*3824(RGPE-07?BRQ?)	30,000 [8.8]	21,650 [6.3]	8,350 [2.4]	13.00	16.00	73	900 [425]
	RCFL-H*3824(RGPE-10?BRM?)	30,800 [9.0]	23,100 [6.8]	7,700 [2.3]	13.00	16.00	73	1,075 [507]
	RCFL-H*3824(RGPE-12?ARM?)	30,800 [9.0]	23,100 [6.8]	7,700 [2.3]	13.00	16.00	73	1,075 [507]
	RCFL-H*3824(RGPT-07?BRQ?)	30,600 [9.0]	22,700 [6.7]	7,900 [2.3]	13.00	16.00	73	1,025 [484]
	RCFL-H*3824(RGPT-10?BRM?)	30,600 [9.0]	22,700 [6.7]	7,900 [2.3]	13.00	16.00	73	1,025 [484]
	RCFL-H*3824(RGPT-12?ARM?)	30,400 [8.9]	22,350 [6.5]	8,050 [2.4]	13.00	16.00	73	975 [460]
	RCFL-H*3824(RGRM-07?YBG?)	29,400 [8.6]	20,950 [6.1]	8,450 [2.5]	12.50	15.10	73	850 [401]
	RCFL-H*3824(RGRM-09?ZAJ?)	30,400 [8.9]	22,750 [6.7]	7,650 [2.2]	13.00	15.50	73	1,075 [507]
	RCFL-H*3824(RGRM-10?ZAJ?)	30,200 [8.8]	22,350 [6.5]	7,850 [2.3]	13.00	15.50	73	1,025 [484]
	RCFL-H*3824(RGRM-12?RAJ?)	30,000 [8.8]	21,750 [6.4]	8,250 [2.4]	13.00	16.00	73	925 [437]
	RCFL-H*3824(RGTM-07?RBG?)	30,000 [8.8]	21,850 [6.4]	8,150 [2.4]	13.00	16.00	73	950 [448]
	RCFL-H*3824(RGTM-09?ZAJ?)	30,800 [9.0]	23,250 [6.8]	7,550 [2.2]	13.00	16.00	73	1,100 [519]
	RCFL-H*3824(ROCA-070E03)	30,200 [8.8]	22,200 [6.5]	8,000 [2.3]	13.00	15.50	73	1,000 [472]
	RCFL-H*3824(ROCA-070E04)	30,200 [8.8]	22,200 [6.5]	8,000 [2.3]	13.00	15.50	73	1,000 [472]
	RCFL-H*3824(ROLA-070E03)	30,200 [8.8]	22,200 [6.5]	8,000 [2.3]	13.00	16.00	73	975 [460]
	RCFL-H*3824(ROLA-070E04)	30,200 [8.8]	22,200 [6.5]	8,000 [2.3]	13.00	16.00	73	975 [460]
	RCFL-H*3824(ROLA-115E05)	29,800 [8.7]	21,450 [6.3]	8,350 [2.4]	13.00	16.00	73	900 [425]
	RCFL-H*3824+RXMD-C04	29,800 [8.7]	21,950 [6.4]	7,850 [2.3]	12.00	14.50	73	995 [470]
	RBHP-21(RCHL-36A1)	28,000 [8.2]	19,450 [5.7]	8,550 [2.5]	12.50	15.00	73	1,000 [472]
	RCQD-3621(RGFE-06?MCK?)	29,800 [8.7]	22,200 [6.5]	7,600 [2.2]	13.00	15.00	73	1,000 [472]
	RCQD-3621(RGFE-07?MCK?)	29,800 [8.7]	22,200 [6.5]	7,600 [2.2]	13.00	15.00	73	1,025 [484]
	RCQD-3621(RGFE-09?ZCM?)	30,000 [8.8]	22,350 [6.5]	7,650 [2.2]	13.00	15.50	73	1,025 [484]
	RCQD-3621(RGFE-10?ZCM?)	30,200 [8.8]	22,550 [6.6]	7,650 [2.2]	13.00	15.50	73	1,000 [472]
	RCQD-3621(RGFG-06?MCK?)	29,800 [8.7]	21,600 [6.3]	8,200 [2.4]	13.00	15.50	73	875 [413]
	RCQD-3621(RGFG-07?MCK?)	29,600 [8.7]	21,300 [6.2]	8,300 [2.4]	13.00	15.50	73	850 [401]
	RCQD-3621(RGFG-09?ZCM?)	29,800 [8.7]	21,550 [6.3]	8,250 [2.4]	13.00	16.00	73	875 [413]
	RCQD-3621(RGFG-10?ZCM?)	30,000 [8.8]	21,850 [6.4]	8,150 [2.4]	13.00	16.00	73	900 [425]
	RCQD-3621(RGJF-06?MCK?)	30,000 [8.8]	22,350 [6.5]	7,650 [2.2]	13.00	15.00	73	1,025 [484]
RCQD-3621(RGJF-07?MCK?)	30,000 [8.8]	22,400 [6.6]	7,600 [2.2]	13.00	15.00	73	1,025 [484]	
RCQD-3621(RGJF-09?ZCM?)	30,200 [8.8]	22,550 [6.6]	7,650 [2.2]	13.00	15.50	73	1,000 [472]	
RCQD-3621(RGJF-10?ZCM?)	30,200 [8.8]	22,550 [6.6]	7,650 [2.2]	13.00	15.50	73	1,000 [472]	
RCQD-3621(RGPE-05?BMK?)	30,000 [8.8]	22,350 [6.5]	7,650 [2.2]	13.00	15.00	73	975 [460]	
RCQD-3621(RGPE-07?AMK?)	30,000 [8.8]	22,350 [6.5]	7,650 [2.2]	13.00	15.50	73	1,000 [472]	
RCQD-3621(RGPE-07?BRQ?)	30,200 [8.8]	22,500 [6.6]	7,700 [2.3]	13.00	16.00	73	1,025 [484]	
RCQD-3621(RGPE-10?BRM?)	29,800 [8.7]	21,750 [6.4]	8,050 [2.4]	13.00	16.00	73	900 [425]	
RCQD-3621(RGPT-05?BMK?)	29,600 [8.7]	21,550 [6.3]	8,050 [2.4]	13.00	15.50	73	900 [425]	

030JAZ

① Highest sales volume tested combination required by D.O.E. test procedures.

[ ] Designates Metric Conversions

## Performance Data @ AHRI Standard Conditions—Cooling

Model Numbers		80°F [26.5°C] DB/67°F [19.5°C] WB Indoor Air 95°F [35°C] DB Outdoor Air					Sound Rating dB	Indoor CFM [L/s]	
Outdoor Unit RAPM-	Indoor Coil and/or Air Handler	Total Capacity BTU/H [kW]	Net Sensible BTU/H [kW]	Net Latent BTU/H [kW]	EER	SEER			
Rev. 6/14/12	RCQD-3621(RGPT-07?AMK?)	29,800 [8.7]	21,800 [6.4]	8,000 [2.3]	13.00	15.50	73	925 [437]	
	RCQD-3621(RGPT-07?BRQ?)	30,400 [8.9]	22,850 [6.7]	7,550 [2.2]	13.00	16.00	73	1,050 [495]	
	RCQD-3621(RGPT-10?BRM?)	30,400 [8.9]	22,850 [6.7]	7,550 [2.2]	13.00	16.00	73	1,050 [495]	
	RCQD-3621(RGRM-04?MAE?)	30,600 [9.0]	23,650 [6.9]	6,950 [2.0]	12.00	14.50	73	1,025 [484]	
	RCQD-3621(RGRM-06?MAE?)	30,600 [9.0]	23,650 [6.9]	6,950 [2.0]	12.50	15.00	73	1,000 [472]	
	RCQD-3621(RGRM-07?MAE?)	30,400 [8.9]	23,500 [6.9]	6,900 [2.0]	11.50	14.00	73	1,025 [484]	
	RCQD-3621(RGRM-07?YBG?)	30,600 [9.0]	23,650 [6.9]	6,950 [2.0]	12.00	14.50	73	975 [460]	
	RCQD-3621(RGRM-09?ZAJ?)	29,800 [8.7]	21,950 [6.4]	7,850 [2.3]	13.00	15.50	73	950 [448]	
	RCQD-3621(RGRM-10?ZAJ?)	30,000 [8.8]	22,400 [6.6]	7,600 [2.2]	13.00	15.00	73	1,025 [484]	
	RCQD-3621(RHWB-04WMX36A)	30,800 [9.0]	23,500 [6.9]	7,300 [2.1]	13.00	15.50	73	1,075 [507]	
	RCQD-3621(RHWB-06WMX48A)	30,400 [8.9]	22,800 [6.7]	7,600 [2.2]	13.00	16.00	73	1,000 [472]	
	RCQD-3621(ROCA-070E03)	30,000 [8.8]	22,300 [6.5]	7,700 [2.3]	13.00	15.50	73	1,000 [472]	
	RCQD-3621(ROCA-070E04)	30,000 [8.8]	22,300 [6.5]	7,700 [2.3]	13.00	15.50	73	1,000 [472]	
	RCQD-3621(ROLA-070E03)	30,200 [8.8]	22,450 [6.6]	7,750 [2.3]	13.00	15.50	73	975 [460]	
	RCQD-3621(ROLA-070E04)	30,200 [8.8]	22,450 [6.6]	7,750 [2.3]	13.00	15.50	73	975 [460]	
	RCQD-3621(ROLA-115E05)	30,400 [8.9]	22,900 [6.7]	7,500 [2.2]	13.00	15.50	73	1,050 [495]	
	RCQD-3621+RXMD-C04	29,600 [8.7]	22,000 [6.4]	7,600 [2.2]	11.50	14.00	73	1,000 [472]	
	030JAZ	RCQD-3624(RGFG-09?ZCM?)	29,800 [8.7]	21,550 [6.3]	8,250 [2.4]	13.00	16.00	73	875 [413]
		RCQD-3624(RGFG-10?ZCM?)	30,000 [8.8]	21,850 [6.4]	8,150 [2.4]	13.00	16.00	73	900 [425]
		RCQD-3624(RGFG-12?RCM?)	30,000 [8.8]	21,750 [6.4]	8,250 [2.4]	13.00	16.00	73	875 [413]
		RCQD-3624(RGPE-07?BRQ?)	30,400 [8.9]	22,850 [6.7]	7,550 [2.2]	13.00	16.00	73	1,050 [495]
		RCQD-3624(RGPT-07?BRQ?)	30,600 [9.0]	23,050 [6.8]	7,550 [2.2]	13.00	16.00	73	1,050 [495]
		RCQD-3624(RGPT-10?BRM?)	30,600 [9.0]	23,150 [6.8]	7,450 [2.2]	13.00	16.00	73	1,075 [507]
		RCQD-3624(RGPT-12?ARM?)	30,400 [8.9]	22,650 [6.6]	7,750 [2.3]	13.00	16.00	73	975 [460]
		RCQD-3624(RGRM-07?YBG?)	30,600 [9.0]	23,700 [6.9]	6,900 [2.0]	12.50	15.00	73	975 [460]
		RCQD-3624(ROCA-070E03)	30,200 [8.8]	22,500 [6.6]	7,700 [2.3]	13.00	15.50	73	1,000 [472]
		RCQD-3624(ROCA-070E04)	30,200 [8.8]	22,500 [6.6]	7,700 [2.3]	13.00	15.50	73	1,000 [472]
		RCQD-3624(ROLA-070E03)	30,200 [8.8]	22,450 [6.6]	7,750 [2.3]	13.00	16.00	73	975 [460]
		RCQD-3624(ROLA-070E04)	30,200 [8.8]	22,450 [6.6]	7,750 [2.3]	13.00	16.00	73	975 [460]
		RCQD-3624(ROLA-115E05)	29,800 [8.7]	21,700 [6.4]	8,100 [2.4]	13.00	16.00	73	900 [425]
		RCQD-3624+RXMD-C04	29,600 [8.7]	22,000 [6.4]	7,600 [2.2]	11.50	14.00	73	1,000 [472]
		RHKL-HM3617(RCSL-H*3617)	29,600 [8.7]	21,350 [6.3]	8,250 [2.4]	13.00	16.00	73	1,025 [484]
		RHLL-HM3617(RCSL-H*3617)	29,800 [8.7]	21,550 [6.3]	8,250 [2.4]	13.00	16.00	73	1,000 [472]
RHSL-HM3017(RCSL-H*3617)		29,000 [8.5]	20,700 [6.1]	8,300 [2.4]	12.00	14.50	73	950 [448]	
RHKL-HM3821(RCSL-H*3821)	30,400 [8.9]	22,350 [6.5]	8,050 [2.4]	13.00	16.00	73	1,000 [472]		
RHLL-HM3821(RCSL-H*3821)	30,400 [8.9]	22,400 [6.6]	8,000 [2.3]	13.00	16.00	73	975 [460]		
036JAZ	RCFL-H*3617+RXMD-C04 ①	35,400 [10.4]	23,800 [7.0]	11,600 [3.4]	12.00	14.50	76	1,050 [495]	
	RCFL-A*3617(RGFE-06?MCK?)	35,200 [10.3]	23,350 [6.8]	11,850 [3.5]	12.00	14.50	76	1,000 [472]	
	RCFL-A*3617(RGFE-07?MCK?)	35,400 [10.4]	23,750 [7.0]	11,650 [3.4]	12.00	14.50	76	1,025 [484]	
	RCFL-A*3617(RGFG-06?MCK?)	35,200 [10.3]	23,400 [6.9]	11,800 [3.5]	12.00	14.50	76	1,000 [472]	
	RCFL-A*3617(RGFG-07?MCK?)	35,400 [10.4]	23,800 [7.0]	11,600 [3.4]	12.00	14.50	76	1,050 [495]	
	RCFL-A*3617(RGGE-06?MCK?)	35,600 [10.4]	23,900 [7.0]	11,700 [3.4]	12.50	15.10	76	1,025 [484]	
	RCFL-A*3617(RGGE-07?MCK?)	35,600 [10.4]	23,900 [7.0]	11,700 [3.4]	12.50	15.10	76	1,025 [484]	
	RCFL-A*3617(RGLE-07?AMK?)	35,800 [10.5]	24,100 [7.1]	11,700 [3.4]	12.50	15.10	76	1,025 [484]	
	RCFL-A*3617(RGLT-07?AMK?)	35,600 [10.4]	23,900 [7.0]	11,700 [3.4]	12.50	15.10	76	1,050 [495]	
	RCFL-A*3617(RGPE-07?AMK?)	35,400 [10.4]	23,400 [6.9]	12,000 [3.5]	12.50	15.10	76	1,000 [472]	
	RCFL-A*3617(RGPT-05?BMK?)	35,400 [10.4]	23,750 [7.0]	11,650 [3.4]	12.00	14.50	76	1,050 [495]	
	RCFL-A*3617(RGPT-07?AMK?)	35,600 [10.4]	23,900 [7.0]	11,700 [3.4]	12.50	15.00	76	1,050 [495]	

① Highest sales volume tested combination required by D.O.E. test procedures.

[ ] Designates Metric Conversions

## Performance Data @ AHRI Standard Conditions—Cooling

Model Numbers		80°F [26.5°C] DB/67°F [19.5°C] WB Indoor Air 95°F [35°C] DB Outdoor Air					Sound Rating dB	Indoor CFM [L/s]	
Outdoor Unit RAPM-	Indoor Coil and/or Air Handler	Total Capacity BTU/H [kW]	Net Sensible BTU/H [kW]	Net Latent BTU/H [kW]	EER	SEER			
Rev. 6/14/12	RCFL-A*3617(RGRM-04?MAE?)	35,600 [10.4]	23,950 [7.0]	11,650 [3.4]	12.00	14.50	76	1,025 [484]	
	RCFL-A*3617(RGRM-06?MAE?)	35,400 [10.4]	23,500 [6.9]	11,900 [3.5]	12.00	14.50	76	1,000 [472]	
	RCFL-A*3617(RHWB-04WMX36A)	35,800 [10.5]	24,200 [7.1]	11,600 [3.4]	12.50	15.10	76	1,025 [484]	
	RCFL-A*3617(RHWB-06WMX48A)	36,200 [10.6]	25,000 [7.3]	11,200 [3.3]	12.00	14.50	76	1,150 [543]	
	RCFL-A*3617(ROCA-070E03)	36,200 [10.6]	25,250 [7.4]	10,950 [3.2]	12.00	14.50	76	1,200 [566]	
	RCFL-A*3617(ROCA-070E04)	36,200 [10.6]	25,250 [7.4]	10,950 [3.2]	12.00	14.50	76	1,200 [566]	
	RCFL-A*3617(ROLA-070E03)	36,200 [10.6]	25,050 [7.3]	11,150 [3.3]	12.50	15.00	76	1,175 [554]	
	RCFL-A*3617(ROLA-070E04)	35,800 [10.5]	24,100 [7.1]	11,700 [3.4]	12.50	15.10	76	1,025 [484]	
	RCFL-A*3617+RXMD-C04	35,400 [10.4]	23,800 [7.0]	11,600 [3.4]	12.00	14.50	76	1,050 [495]	
	RCFL-A*3621(RGFE-06?MCK?)	35,200 [10.3]	23,350 [6.8]	11,850 [3.5]	12.00	14.50	76	1,000 [472]	
	RCFL-A*3621(RGFE-07?MCK?)	35,600 [10.4]	23,950 [7.0]	11,650 [3.4]	12.00	14.50	76	1,025 [484]	
	RCFL-A*3621(RGFE-09?ZCM?)	35,800 [10.5]	24,100 [7.1]	11,700 [3.4]	12.50	15.10	76	1,025 [484]	
	RCFL-A*3621(RGFE-10?ZCM?)	35,600 [10.4]	23,900 [7.0]	11,700 [3.4]	12.50	15.10	76	1,025 [484]	
	RCFL-A*3621(RGFG-06?MCK?)	35,200 [10.3]	23,400 [6.9]	11,800 [3.5]	12.50	15.00	76	1,000 [472]	
	RCFL-A*3621(RGFG-07?MCK?)	35,400 [10.4]	23,800 [7.0]	11,600 [3.4]	12.50	15.00	76	1,050 [495]	
	RCFL-A*3621(RGFG-09?ZCM?)	35,600 [10.4]	24,000 [7.0]	11,600 [3.4]	12.50	15.10	76	1,025 [484]	
	RCFL-A*3621(RGFG-10?ZCM?)	35,800 [10.5]	24,000 [7.0]	11,800 [3.5]	12.50	15.10	76	1,050 [495]	
	RCFL-A*3621(RGGE-06?MCK?)	35,600 [10.4]	23,900 [7.0]	11,700 [3.4]	12.50	15.10	76	1,025 [484]	
	RCFL-A*3621(RGGE-07?MCK?)	35,600 [10.4]	23,900 [7.0]	11,700 [3.4]	12.50	15.10	76	1,025 [484]	
	RCFL-A*3621(RGGE-09?ZCM?)	35,800 [10.5]	24,050 [7.0]	11,750 [3.4]	12.50	15.10	76	1,025 [484]	
	RCFL-A*3621(RGGE-10?ZCM?)	35,600 [10.4]	23,900 [7.0]	11,700 [3.4]	12.50	15.10	76	1,050 [495]	
	RCFL-A*3621(RGLE-07?AMK?)	35,800 [10.5]	24,050 [7.0]	11,750 [3.4]	12.50	15.10	76	1,025 [484]	
	RCFL-A*3621(RGLE-10?BRM?)	35,800 [10.5]	24,000 [7.0]	11,800 [3.5]	13.00	15.50	76	1,050 [495]	
	036JAZ	RCFL-A*3621(RGLT-07?AMK?)	35,600 [10.4]	23,900 [7.0]	11,700 [3.4]	12.50	15.10	76	1,075 [507]
		RCFL-A*3621(RGLT-07?BRQ?)	36,400 [10.7]	25,350 [7.4]	11,050 [3.2]	12.50	15.10	76	1,200 [566]
		RCFL-A*3621(RGLT-10?BRM?)	36,400 [10.7]	25,200 [7.4]	11,200 [3.3]	12.50	15.10	76	1,175 [554]
		RCFL-A*3621(RGPE-07?AMK?)	35,400 [10.4]	23,400 [6.9]	12,000 [3.5]	12.50	15.10	76	1,000 [472]
		RCFL-A*3621(RGPE-07?BRQ?)	35,800 [10.5]	24,050 [7.0]	11,750 [3.4]	13.00	15.50	76	1,025 [484]
		RCFL-A*3621(RGPE-10?BRM?)	35,800 [10.5]	24,050 [7.0]	11,750 [3.4]	13.00	15.50	76	1,075 [507]
		RCFL-A*3621(RGPT-05?BMK?)	35,600 [10.4]	23,950 [7.0]	11,650 [3.4]	12.00	14.50	76	1,075 [507]
		RCFL-A*3621(RGPT-07?AMK?)	35,600 [10.4]	23,900 [7.0]	11,700 [3.4]	12.50	15.10	76	1,050 [495]
		RCFL-A*3621(RGPT-07?BRQ?)	36,000 [10.5]	24,200 [7.1]	11,800 [3.5]	13.00	15.50	76	1,050 [495]
		RCFL-A*3621(RGPT-10?BRM?)	36,400 [10.7]	25,200 [7.4]	11,200 [3.3]	12.50	15.10	76	1,175 [554]
		RCFL-A*3621(RGRM-04?MAE?)	35,600 [10.4]	23,950 [7.0]	11,650 [3.4]	12.00	14.50	76	1,025 [484]
		RCFL-A*3621(RGRM-06?MAE?)	35,400 [10.4]	23,500 [6.9]	11,900 [3.5]	12.00	14.50	76	1,000 [472]
		RCFL-A*3621(RGRM-09?ZAJ?)	35,600 [10.4]	23,950 [7.0]	11,650 [3.4]	12.50	15.00	76	1,075 [507]
		RCFL-A*3621(RGRM-10?ZAJ?)	35,600 [10.4]	23,900 [7.0]	11,700 [3.4]	12.50	15.10	76	1,025 [484]
		RCFL-A*3621(RHWB-04WMX36A)	35,800 [10.5]	24,200 [7.1]	11,600 [3.4]	12.50	15.10	76	1,025 [484]
		RCFL-A*3621(RHWB-06WMX48A)	36,200 [10.6]	25,100 [7.4]	11,100 [3.3]	12.00	14.50	76	1,175 [554]
		RCFL-A*3621(ROCA-070E03)	36,200 [10.6]	25,250 [7.4]	10,950 [3.2]	12.00	14.50	76	1,200 [566]
RCFL-A*3621(ROCA-070E04)		36,200 [10.6]	25,250 [7.4]	10,950 [3.2]	12.00	14.50	76	1,200 [566]	
RCFL-A*3621(ROLA-070E03)		36,200 [10.6]	25,050 [7.3]	11,150 [3.3]	12.50	15.10	76	1,175 [554]	
RCFL-A*3621(ROLA-070E04)		36,200 [10.6]	25,050 [7.3]	11,150 [3.3]	12.50	15.10	76	1,175 [554]	
RCFL-A*3621(ROLA-115E05)		36,400 [10.7]	25,350 [7.4]	11,050 [3.2]	12.50	15.10	76	1,200 [566]	
RCFL-A*3621+RXMD-C04		35,400 [10.4]	23,800 [7.0]	11,600 [3.4]	12.00	14.50	76	1,050 [495]	
RCFL-A*3821(RGFG-07?MCK?)		37,000 [10.8]	25,250 [7.4]	11,750 [3.4]	13.00	15.50	76	1,050 [495]	
RCFL-A*3821(RGFG-09?ZCM?)		38,000 [11.1]	26,950 [7.9]	11,050 [3.2]	13.00	15.50	76	1,200 [566]	
RCFL-A*3821(RGFG-10?ZCM?)		38,000 [11.1]	26,950 [7.9]	11,050 [3.2]	13.00	15.50	76	1,200 [566]	

① Highest sales volume tested combination required by D.O.E. test procedures.

[ ] Designates Metric Conversions

## Performance Data @ AHRI Standard Conditions—Cooling

Model Numbers		80°F [26.5°C] DB/67°F [19.5°C] WB Indoor Air 95°F [35°C] DB Outdoor Air					Sound Rating dB	Indoor CFM [L/s]
Outdoor Unit RAPM-	Indoor Coil and/or Air Handler	Total Capacity BTU/H [kW]	Net Sensible BTU/H [kW]	Net Latent BTU/H [kW]	EER	SEER		
Rev. 6/14/12	RCFL-A*3821(RGLT-07?AMK?)	37,200 [10.9]	25,700 [7.5]	11,500 [3.4]	13.00	15.50	76	1,100 [519]
	RCFL-A*3821(RGPT-05?BMK?)	37,200 [10.9]	25,750 [7.5]	11,450 [3.4]	12.50	15.10	76	1,100 [519]
	RCFL-A*3821(RGPT-07?AMK?)	37,200 [10.9]	25,700 [7.5]	11,500 [3.4]	12.50	15.10	76	1,100 [519]
	RCFL-A*3821(ROCA-070E03)	37,600 [11.0]	26,600 [7.8]	11,000 [3.2]	12.50	15.10	76	1,200 [566]
	RCFL-A*3821(ROCA-070E04)	37,600 [11.0]	26,600 [7.8]	11,000 [3.2]	12.50	15.10	76	1,200 [566]
	RCFL-A*3821(ROLA-070E03)	37,600 [11.0]	26,400 [7.7]	11,200 [3.3]	13.00	15.50	76	1,175 [554]
	RCFL-A*3821(ROLA-070E04)	37,600 [11.0]	26,400 [7.7]	11,200 [3.3]	13.00	15.50	76	1,175 [554]
	RCFL-A*3821(ROLA-115E05)	38,000 [11.1]	26,900 [7.9]	11,100 [3.3]	13.00	15.50	76	1,200 [566]
	RCFL-A*3824(RGFG-09?ZCM?)	38,000 [11.1]	26,950 [7.9]	11,050 [3.2]	13.00	15.50	76	1,200 [566]
	RCFL-A*3824(RGFG-10?ZCM?)	37,800 [11.1]	26,750 [7.8]	11,050 [3.2]	12.50	15.10	76	1,200 [566]
	RCFL-A*3824(RGLT-12?ARM?)	37,800 [11.1]	26,450 [7.7]	11,350 [3.3]	13.00	16.00	76	1,150 [543]
	RCFL-A*3824(RGPT-12?ARM?)	38,000 [11.1]	26,750 [7.8]	11,250 [3.3]	13.00	16.00	76	1,175 [554]
	RCFL-A*3824(ROCA-070E03)	37,600 [11.0]	26,600 [7.8]	11,000 [3.2]	12.50	15.10	76	1,200 [566]
	RCFL-A*3824(ROCA-070E04)	37,600 [11.0]	26,600 [7.8]	11,000 [3.2]	12.50	15.10	76	1,200 [566]
	RCFL-A*3824(ROLA-070E03)	37,600 [11.0]	26,450 [7.7]	11,150 [3.3]	13.00	15.50	76	1,175 [554]
	RCFL-A*3824(ROLA-070E04)	37,600 [11.0]	26,450 [7.7]	11,150 [3.3]	13.00	15.50	76	1,175 [554]
	RCFL-A*3824(ROLA-115E05)	37,000 [10.8]	25,250 [7.4]	11,750 [3.4]	13.00	15.50	76	1,050 [495]
	RCFL-H*3617(RGFE-06?MCK?)	35,200 [10.3]	23,350 [6.8]	11,850 [3.5]	12.00	14.50	76	1,000 [472]
	RCFL-H*3617(RGFE-07?MCK?)	35,400 [10.4]	23,750 [7.0]	11,650 [3.4]	12.00	14.50	76	1,025 [484]
	RCFL-H*3617(RGFG-06?MCK?)	35,200 [10.3]	23,400 [6.9]	11,800 [3.5]	12.00	14.50	76	1,000 [472]
	RCFL-H*3617(RGFG-07?MCK?)	35,400 [10.4]	23,800 [7.0]	11,600 [3.4]	12.00	14.50	76	1,050 [495]
	RCFL-H*3617(RGGE-06?MCK?)	35,600 [10.4]	23,900 [7.0]	11,700 [3.4]	12.50	15.10	76	1,025 [484]
	RCFL-H*3617(RGGE-07?MCK?)	35,600 [10.4]	23,900 [7.0]	11,700 [3.4]	12.50	15.10	76	1,025 [484]
	RCFL-H*3617(RGJF-06?MCK?)	35,600 [10.4]	23,900 [7.0]	11,700 [3.4]	12.50	15.10	76	1,025 [484]
	RCFL-H*3617(RGJF-07?MCK?)	35,600 [10.4]	23,900 [7.0]	11,700 [3.4]	12.50	15.10	76	1,025 [484]
	RCFL-H*3617(RGLE-07?AMK?)	35,800 [10.5]	24,100 [7.1]	11,700 [3.4]	12.50	15.10	76	1,025 [484]
	RCFL-H*3617(RGLT-07?AMK?)	35,600 [10.4]	23,900 [7.0]	11,700 [3.4]	12.50	15.10	76	1,050 [495]
	RCFL-H*3617(RGPE-07?AMK?)	35,400 [10.4]	23,400 [6.9]	12,000 [3.5]	12.50	15.10	76	1,000 [472]
	RCFL-H*3617(RGPT-05?BMK?)	35,400 [10.4]	23,750 [7.0]	11,650 [3.4]	12.00	14.50	76	1,050 [495]
	RCFL-H*3617(RGPT-07?AMK?)	35,600 [10.4]	23,900 [7.0]	11,700 [3.4]	12.50	15.00	76	1,050 [495]
	RCFL-H*3617(RGRM-04?MAE?)	35,600 [10.4]	23,950 [7.0]	11,650 [3.4]	12.00	14.50	76	1,025 [484]
	RCFL-H*3617(RGRM-06?MAE?)	35,400 [10.4]	23,500 [6.9]	11,900 [3.5]	12.00	14.50	76	1,000 [472]
	RCFL-H*3617(RGTM-06?MAE?)	35,600 [10.4]	23,950 [7.0]	11,650 [3.4]	12.00	14.50	76	1,025 [484]
	RCFL-H*3617(RHWB-04WMX36A)	35,800 [10.5]	24,200 [7.1]	11,600 [3.4]	12.50	15.10	76	1,025 [484]
	RCFL-H*3617(RHWB-06WMX48A)	36,200 [10.6]	25,000 [7.3]	11,200 [3.3]	12.00	14.50	76	1,150 [543]
	RCFL-H*3617(ROCA-070E03)	36,200 [10.6]	25,250 [7.4]	10,950 [3.2]	12.00	14.50	76	1,200 [566]
	RCFL-H*3617(ROCA-070E04)	36,200 [10.6]	25,250 [7.4]	10,950 [3.2]	12.00	14.50	76	1,200 [566]
	RCFL-H*3617(ROLA-070E03)	36,200 [10.6]	25,050 [7.3]	11,150 [3.3]	12.50	15.00	76	1,175 [554]
	RCFL-H*3617(ROLA-070E04)	35,800 [10.5]	24,100 [7.1]	11,700 [3.4]	12.50	15.10	76	1,025 [484]
	RCFL-H*3621(RGFE-06?MCK?)	35,200 [10.3]	23,350 [6.8]	11,850 [3.5]	12.00	14.50	76	1,000 [472]
RCFL-H*3621(RGFE-07?MCK?)	35,600 [10.4]	23,950 [7.0]	11,650 [3.4]	12.00	14.50	76	1,025 [484]	
RCFL-H*3621(RGFE-09?ZCM?)	35,800 [10.5]	24,100 [7.1]	11,700 [3.4]	12.50	15.10	76	1,025 [484]	
RCFL-H*3621(RGFE-10?ZCM?)	35,600 [10.4]	23,900 [7.0]	11,700 [3.4]	12.50	15.10	76	1,025 [484]	
RCFL-H*3621(RGFG-06?MCK?)	35,200 [10.3]	23,400 [6.9]	11,800 [3.5]	12.50	15.00	76	1,000 [472]	
RCFL-H*3621(RGFG-07?MCK?)	35,400 [10.4]	23,800 [7.0]	11,600 [3.4]	12.50	15.00	76	1,050 [495]	
RCFL-H*3621(RGFG-09?ZCM?)	35,600 [10.4]	24,000 [7.0]	11,600 [3.4]	12.50	15.10	76	1,025 [484]	
RCFL-H*3621(RGFG-10?ZCM?)	35,800 [10.5]	24,000 [7.0]	11,800 [3.5]	12.50	15.10	76	1,050 [495]	
RCFL-H*3621(RGGE-06?MCK?)	35,600 [10.4]	23,900 [7.0]	11,700 [3.4]	12.50	15.10	76	1,025 [484]	

① Highest sales volume tested combination required by D.O.E. test procedures.

[ ] Designates Metric Conversions











## Performance Data @ AHRI Standard Conditions—Cooling

Model Numbers		80°F [26.5°C] DB/67°F [19.5°C] WB Indoor Air 95°F [35°C] DB Outdoor Air					Sound Rating dB	Indoor CFM [L/s]
Outdoor Unit RAPM-	Indoor Coil and/or Air Handler	Total Capacity BTU/H [kW]	Net Sensible BTU/H [kW]	Net Latent BTU/H [kW]	EER	SEER		
Rev. 6/14/12	RCQD-3621(ROCA-070E03)	37,400 [11.0]	26,750 [7.8]	10,650 [3.1]	12.00	14.50	76	1,200 [566]
	RCQD-3621(ROCA-070E04)	37,400 [11.0]	26,750 [7.8]	10,650 [3.1]	12.00	14.50	76	1,200 [566]
	RCQD-3621(ROLA-070E03)	37,400 [11.0]	26,550 [7.8]	10,850 [3.2]	12.50	15.10	76	1,175 [554]
	RCQD-3621(ROLA-070E04)	37,400 [11.0]	26,550 [7.8]	10,850 [3.2]	12.50	15.10	76	1,175 [554]
	RCQD-3621(ROLA-115E05)	36,800 [10.8]	25,350 [7.4]	11,450 [3.4]	13.00	15.50	76	1,050 [495]
	RCQD-3621+RXMD-C04	36,200 [10.6]	24,950 [7.3]	11,250 [3.3]	11.50	14.00	76	1,045 [493]
	RCQD-3624(RGFE-09?ZCM?)	37,400 [11.0]	26,700 [7.8]	10,700 [3.1]	12.50	15.10	76	1,200 [566]
	RCQD-3624(RGFG-09?ZCM?)	37,600 [11.0]	26,850 [7.9]	10,750 [3.1]	12.50	15.10	76	1,200 [566]
	RCQD-3624(RGFG-10?ZCM?)	37,000 [10.8]	25,550 [7.5]	11,450 [3.4]	13.00	15.50	76	1,050 [495]
	RCQD-3624(RGJF-10?ZCM?)	37,400 [11.0]	26,700 [7.8]	10,700 [3.1]	12.50	15.10	76	1,200 [566]
	RCQD-3624(RGJF-12?RCM?)	37,600 [11.0]	26,850 [7.9]	10,750 [3.1]	13.00	15.50	76	1,200 [566]
	RCQD-3624(RGPE-07?BRQ?)	36,800 [10.8]	25,350 [7.4]	11,450 [3.4]	13.00	15.50	76	1,050 [495]
	RCQD-3624(RGPE-10?BRM?)	37,000 [10.8]	25,650 [7.5]	11,350 [3.3]	13.00	15.50	76	1,075 [507]
	RCQD-3624(RGPE-12?ARM?)	37,200 [10.9]	25,850 [7.6]	11,350 [3.3]	13.00	15.50	76	1,075 [507]
	RCQD-3624(RGPT-07?BRQ?)	37,000 [10.8]	25,500 [7.5]	11,500 [3.4]	13.00	15.50	76	1,050 [495]
	RCQD-3624(RGPT-10?BRM?)	37,200 [10.9]	25,850 [7.6]	11,350 [3.3]	13.00	15.50	76	1,075 [507]
	RCQD-3624(RGRM-07?YBG?)	36,400 [10.7]	25,050 [7.3]	11,350 [3.3]	12.00	14.50	76	1,050 [495]
	RCQD-3624(RGRM-09?ZAJ?)	36,800 [10.8]	25,550 [7.5]	11,250 [3.3]	12.50	15.10	76	1,075 [507]
	RCQD-3624(RGRM-10?ZAJ?)	38,000 [11.1]	27,800 [8.1]	10,200 [3.0]	12.50	15.10	76	1,150 [543]
	RCQD-3624(RGRM-12?RAJ?)	37,000 [10.8]	25,700 [7.5]	11,300 [3.3]	13.00	15.50	76	1,075 [507]
	RCQD-3624(ROCA-070E03)	37,400 [11.0]	26,750 [7.8]	10,650 [3.1]	12.50	15.00	76	1,200 [566]
	RCQD-3624(ROCA-070E04)	37,400 [11.0]	26,750 [7.8]	10,650 [3.1]	12.50	15.00	76	1,200 [566]
	RCQD-3624(ROLA-070E03)	37,400 [11.0]	26,550 [7.8]	10,850 [3.2]	12.50	15.10	76	1,175 [554]
	RCQD-3624(ROLA-070E04)	37,400 [11.0]	26,550 [7.8]	10,850 [3.2]	12.50	15.10	76	1,175 [554]
	RCQD-3624(ROLA-115E05)	36,800 [10.8]	25,350 [7.4]	11,450 [3.4]	13.00	15.50	76	1,050 [495]
	RCQD-3624+RXMD-C04	36,200 [10.6]	24,950 [7.3]	11,250 [3.3]	11.50	14.00	76	1,045 [493]
	RHKL-HM3617(RCSL-H*3617)	36,000 [10.5]	24,200 [7.1]	11,800 [3.5]	13.00	15.50	76	1,025 [484]
	RHLL-HM3617(RCSL-H*3617)	35,800 [10.5]	23,800 [7.0]	12,000 [3.5]	13.00	15.50	76	1,000 [472]
	RHSL-HM3617(RCSL-H*3617)	35,600 [10.4]	24,200 [7.1]	11,400 [3.3]	12.00	14.50	76	1,100 [519]
	RHSL-HM3621(RCSL-H*3621)	35,600 [10.4]	24,200 [7.1]	11,400 [3.3]	12.00	14.50	76	1,100 [519]
	RHKL-HM3821(RCSL-H*3821)	38,000 [11.1]	26,900 [7.9]	11,100 [3.3]	13.00	16.00	76	1,200 [566]
	RHLL-HM3821(RCSL-H*3821)	37,800 [11.1]	26,600 [7.8]	11,200 [3.3]	13.00	16.00	76	1,175 [554]
	RHPN-HM3624(RCSN-H*3624)	40,000 [11.7]	29,450 [8.6]	10,550 [3.1]	13.00	16.00	76	1,200 [566]
036JAZ	RCFL-H*4821+RXMD-C04 ①	39,500 [11.6]	27,500 [8.1]	12,000 [3.5]	12.00	14.50	76	1,250 [590]
	RCFL-A*3821(RGLT-07?AMK?)	40,000 [11.7]	27,900 [8.2]	12,100 [3.5]	12.50	15.10	76	1,250 [590]
	RCFL-A*3821(RGLT-07?BRQ?)	40,000 [11.7]	27,800 [8.1]	12,200 [3.6]	13.00	15.50	76	1,250 [590]
	RCFL-A*3821(RGLT-10?BRM?)	40,000 [11.7]	27,800 [8.1]	12,200 [3.6]	13.00	15.50	76	1,250 [590]
	RCFL-A*3821(RGPE-07?AMK?)	40,500 [11.9]	27,900 [8.2]	12,600 [3.7]	12.50	15.10	76	1,225 [578]
	RCFL-A*3821(RGPT-05?BMK?)	39,500 [11.6]	27,450 [8.0]	12,050 [3.5]	12.00	14.50	76	1,225 [578]
	RCFL-A*3821(RGPT-07?AMK?)	39,500 [11.6]	27,450 [8.0]	12,050 [3.5]	12.00	14.50	76	1,250 [590]
	RCFL-A*3821(RGPT-07?BRQ?)	40,000 [11.7]	27,800 [8.1]	12,200 [3.6]	13.00	15.50	76	1,250 [590]
	RCFL-A*3821(RGPT-10?BRM?)	40,000 [11.7]	27,800 [8.1]	12,200 [3.6]	13.00	15.50	76	1,225 [578]
	RCFL-A*3821(ROCA-070E03)	39,500 [11.6]	27,150 [8.0]	12,350 [3.6]	12.50	15.10	76	1,200 [566]
	RCFL-A*3821(ROCA-070E04)	39,500 [11.6]	27,150 [8.0]	12,350 [3.6]	12.50	15.10	76	1,200 [566]
	RCFL-A*3821(ROLA-070E03)	39,500 [11.6]	26,950 [7.9]	12,550 [3.7]	12.50	15.50	76	1,175 [554]
	RCFL-A*3821(ROLA-070E04)	39,500 [11.6]	26,950 [7.9]	12,550 [3.7]	12.50	15.50	76	1,175 [554]
	RCFL-A*4821(RGFE-09?ZCM?)	39,500 [11.6]	27,150 [8.0]	12,350 [3.6]	12.50	15.10	76	1,200 [566]
	RCFL-A*4821(RGFE-10?ZCM?)	40,000 [11.7]	27,900 [8.2]	12,100 [3.5]	12.50	15.10	76	1,225 [578]
042JAZ	RCFL-H*4821+RXMD-C04 ①	39,500 [11.6]	27,500 [8.1]	12,000 [3.5]	12.00	14.50	76	1,250 [590]
	RCFL-A*3821(RGLT-07?AMK?)	40,000 [11.7]	27,900 [8.2]	12,100 [3.5]	12.50	15.10	76	1,250 [590]
	RCFL-A*3821(RGLT-07?BRQ?)	40,000 [11.7]	27,800 [8.1]	12,200 [3.6]	13.00	15.50	76	1,250 [590]
	RCFL-A*3821(RGLT-10?BRM?)	40,000 [11.7]	27,800 [8.1]	12,200 [3.6]	13.00	15.50	76	1,250 [590]
	RCFL-A*3821(RGPE-07?AMK?)	40,500 [11.9]	27,900 [8.2]	12,600 [3.7]	12.50	15.10	76	1,225 [578]
	RCFL-A*3821(RGPT-05?BMK?)	39,500 [11.6]	27,450 [8.0]	12,050 [3.5]	12.00	14.50	76	1,225 [578]
	RCFL-A*3821(RGPT-07?AMK?)	39,500 [11.6]	27,450 [8.0]	12,050 [3.5]	12.00	14.50	76	1,250 [590]
	RCFL-A*3821(RGPT-07?BRQ?)	40,000 [11.7]	27,800 [8.1]	12,200 [3.6]	13.00	15.50	76	1,250 [590]
	RCFL-A*3821(RGPT-10?BRM?)	40,000 [11.7]	27,800 [8.1]	12,200 [3.6]	13.00	15.50	76	1,225 [578]
	RCFL-A*3821(ROCA-070E03)	39,500 [11.6]	27,150 [8.0]	12,350 [3.6]	12.50	15.10	76	1,200 [566]
	RCFL-A*3821(ROCA-070E04)	39,500 [11.6]	27,150 [8.0]	12,350 [3.6]	12.50	15.10	76	1,200 [566]
	RCFL-A*3821(ROLA-070E03)	39,500 [11.6]	26,950 [7.9]	12,550 [3.7]	12.50	15.50	76	1,175 [554]
	RCFL-A*3821(ROLA-070E04)	39,500 [11.6]	26,950 [7.9]	12,550 [3.7]	12.50	15.50	76	1,175 [554]
	RCFL-A*4821(RGFE-09?ZCM?)	39,500 [11.6]	27,150 [8.0]	12,350 [3.6]	12.50	15.10	76	1,200 [566]
	RCFL-A*4821(RGFE-10?ZCM?)	40,000 [11.7]	27,900 [8.2]	12,100 [3.5]	12.50	15.10	76	1,225 [578]

① Highest sales volume tested combination required by D.O.E. test procedures.

[ ] Designates Metric Conversions

## Performance Data @ AHRI Standard Conditions—Cooling

Model Numbers		80°F [26.5°C] DB/67°F [19.5°C] WB Indoor Air 95°F [35°C] DB Outdoor Air					Sound Rating dB	Indoor CFM [L/s]	
Outdoor Unit RAPM-	Indoor Coil and/or Air Handler	Total Capacity BTU/H [kW]	Net Sensible BTU/H [kW]	Net Latent BTU/H [kW]	EER	SEER			
Rev. 6/14/12	RCFL-A*4821(RGFG-09?ZCM?)	39,500 [11.6]	27,400 [8.0]	12,100 [3.5]	12.50	15.10	76	1,200 [566]	
	RCFL-A*4821(RGFG-10?ZCM?)	39,500 [11.6]	27,200 [8.0]	12,300 [3.6]	12.50	15.10	76	1,200 [566]	
	RCFL-A*4821(RGGE-06?MCK?)	39,500 [11.6]	27,200 [8.0]	12,300 [3.6]	12.00	14.50	76	1,200 [566]	
	RCFL-A*4821(RGGE-07?MCK?)	39,500 [11.6]	27,200 [8.0]	12,300 [3.6]	12.00	14.50	76	1,200 [566]	
	RCFL-A*4821(RGGE-09?ZCM?)	40,000 [11.7]	27,850 [8.2]	12,150 [3.6]	12.50	15.50	76	1,225 [578]	
	RCFL-A*4821(RGGE-10?ZCM?)	39,500 [11.6]	27,150 [8.0]	12,350 [3.6]	12.50	15.10	76	1,200 [566]	
	RCFL-A*4821(RGLE-07?AMK?)	39,500 [11.6]	27,150 [8.0]	12,350 [3.6]	12.50	15.10	76	1,200 [566]	
	RCFL-A*4821(RGLE-10?BRM?)	40,500 [11.9]	29,150 [8.5]	11,350 [3.3]	12.50	15.50	76	1,400 [661]	
	RCFL-A*4821(RGLT-07?AMK?)	40,000 [11.7]	27,900 [8.2]	12,100 [3.5]	12.50	15.10	76	1,250 [590]	
	RCFL-A*4821(RGLT-07?BRQ?)	40,000 [11.7]	27,800 [8.1]	12,200 [3.6]	13.00	15.50	76	1,250 [590]	
	RCFL-A*4821(RGLT-10?BRM?)	40,000 [11.7]	27,800 [8.1]	12,200 [3.6]	13.00	15.50	76	1,250 [590]	
	RCFL-A*4821(RGPE-05?BMK?)	39,500 [11.6]	27,200 [8.0]	12,300 [3.6]	12.00	14.50	76	1,200 [566]	
	RCFL-A*4821(RGPE-07?AMK?)	40,000 [11.7]	27,900 [8.2]	12,100 [3.5]	12.50	15.10	76	1,225 [578]	
	RCFL-A*4821(RGPE-07?BRQ?)	40,000 [11.7]	27,800 [8.1]	12,200 [3.6]	13.00	15.50	76	1,225 [578]	
	RCFL-A*4821(RGPE-10?BRM?)	40,000 [11.7]	27,800 [8.1]	12,200 [3.6]	13.00	15.50	76	1,225 [578]	
	RCFL-A*4821(RGPT-05?BMK?)	39,500 [11.6]	27,450 [8.0]	12,050 [3.5]	12.00	14.50	76	1,225 [578]	
	RCFL-A*4821(RGPT-07?AMK?)	39,500 [11.6]	27,450 [8.0]	12,050 [3.5]	12.00	14.50	76	1,250 [590]	
	RCFL-A*4821(RGPT-07?BRQ?)	40,000 [11.7]	27,800 [8.1]	12,200 [3.6]	13.00	15.50	76	1,250 [590]	
	RCFL-A*4821(RGPT-10?BRM?)	40,000 [11.7]	27,800 [8.1]	12,200 [3.6]	13.00	15.50	76	1,225 [578]	
	RCFL-A*4821(RGTM-06?MAE?)	39,500 [11.6]	27,500 [8.1]	12,000 [3.5]	12.00	14.50	76	1,225 [578]	
	RCFL-A*4821(RGTM-07?RBG?)	39,500 [11.6]	26,700 [7.8]	12,800 [3.8]	12.50	15.50	76	1,125 [531]	
	RCFL-A*4821(RGTM-09?ZAJ?)	40,000 [11.7]	27,850 [8.2]	12,150 [3.6]	12.50	15.10	76	1,250 [590]	
	042JAZ	RCFL-A*4821(RHWB-04WMX36A)	39,500 [11.6]	27,300 [8.0]	12,200 [3.6]	12.50	15.10	76	1,200 [566]
		RCFL-A*4821(RHWB-06WMX48A)	39,500 [11.6]	27,300 [8.0]	12,200 [3.6]	12.50	15.10	76	1,200 [566]
		RCFL-A*4821(ROCA-070E03)	39,500 [11.6]	27,150 [8.0]	12,350 [3.6]	12.50	15.10	76	1,200 [566]
		RCFL-A*4821(ROCA-070E04)	39,500 [11.6]	27,150 [8.0]	12,350 [3.6]	12.50	15.10	76	1,200 [566]
		RCFL-A*4821(ROLA-070E03)	39,500 [11.6]	26,950 [7.9]	12,550 [3.7]	12.50	15.50	76	1,175 [554]
		RCFL-A*4821(ROLA-070E04)	39,500 [11.6]	26,950 [7.9]	12,550 [3.7]	12.50	15.50	76	1,175 [554]
		RCFL-A*4821+RXMD-C04	39,500 [11.6]	27,500 [8.1]	12,000 [3.5]	12.00	14.50	76	1,250 [590]
		RCFL-A*4824(RGFE-09?ZCM?)	39,500 [11.6]	27,150 [8.0]	12,350 [3.6]	12.50	15.10	76	1,200 [566]
		RCFL-A*4824(RGFE-10?ZCM?)	40,000 [11.7]	27,900 [8.2]	12,100 [3.5]	12.50	15.10	76	1,225 [578]
		RCFL-A*4824(RGFE-12?RCM?)	40,000 [11.7]	27,850 [8.2]	12,150 [3.6]	12.50	15.50	76	1,225 [578]
		RCFL-A*4824(RGFG-09?ZCM?)	39,500 [11.6]	27,400 [8.0]	12,100 [3.5]	12.50	15.10	76	1,200 [566]
		RCFL-A*4824(RGFG-10?ZCM?)	39,500 [11.6]	27,200 [8.0]	12,300 [3.6]	12.50	15.10	76	1,200 [566]
		RCFL-A*4824(RGFG-12?RCM?)	40,000 [11.7]	28,000 [8.2]	12,000 [3.5]	13.00	15.50	76	1,225 [578]
		RCFL-A*4824(RGGE-09?ZCM?)	40,000 [11.7]	27,850 [8.2]	12,150 [3.6]	12.50	15.50	76	1,225 [578]
		RCFL-A*4824(RGGE-10?ZCM?)	39,500 [11.6]	27,150 [8.0]	12,350 [3.6]	12.50	15.10	76	1,200 [566]
		RCFL-A*4824(RGGE-12?RCM?)	40,000 [11.7]	27,550 [8.1]	12,450 [3.6]	12.50	15.50	76	1,200 [566]
		RCFL-A*4824(RGLE-10?BRM?)	40,000 [11.7]	27,550 [8.1]	12,450 [3.6]	13.00	15.50	76	1,200 [566]
		RCFL-A*4824(RGLE-12?ARM?)	40,000 [11.7]	27,800 [8.1]	12,200 [3.6]	13.00	15.50	76	1,225 [578]
RCFL-A*4824(RGLT-07?BRQ?)		40,000 [11.7]	27,800 [8.1]	12,200 [3.6]	13.00	15.50	76	1,250 [590]	
RCFL-A*4824(RGLT-10?BRM?)		40,000 [11.7]	27,800 [8.1]	12,200 [3.6]	13.00	15.50	76	1,250 [590]	
RCFL-A*4824(RGLT-12?ARM?)	39,500 [11.6]	26,750 [7.8]	12,750 [3.7]	13.00	16.00	76	1,150 [543]		
RCFL-A*4824(RGPE-07?BRQ?)	40,000 [11.7]	27,800 [8.1]	12,200 [3.6]	13.00	15.50	76	1,225 [578]		
RCFL-A*4824(RGPE-10?BRM?)	40,000 [11.7]	27,800 [8.1]	12,200 [3.6]	13.00	15.50	76	1,225 [578]		
RCFL-A*4824(RGPE-12?ARM?)	41,000 [12.0]	29,800 [8.7]	11,200 [3.3]	12.50	15.50	76	1,425 [672]		
RCFL-A*4824(RGPT-07?BRQ?)	40,000 [11.7]	27,800 [8.1]	12,200 [3.6]	13.00	15.50	76	1,225 [578]		
RCFL-A*4824(RGPT-10?BRM?)	40,000 [11.7]	27,800 [8.1]	12,200 [3.6]	13.00	15.50	76	1,225 [578]		

① Highest sales volume tested combination required by D.O.E. test procedures.

[ ] Designates Metric Conversions



## Performance Data @ AHRI Standard Conditions—Cooling

Model Numbers		80°F [26.5°C] DB/67°F [19.5°C] WB Indoor Air 95°F [35°C] DB Outdoor Air					Sound Rating dB	Indoor CFM [L/s]
Outdoor Unit RAPM-	Indoor Coil and/or Air Handler	Total Capacity BTU/H [kW]	Net Sensible BTU/H [kW]	Net Latent BTU/H [kW]	EER	SEER		
Rev. 6/14/12	RCFL-H*3821(ROLA-115E05)	40,000 [11.7]	27,550 [8.1]	12,450 [3.6]	13.00	15.50	76	1,200 [566]
	RCFL-H*3821+RXMD-C04	40,000 [11.7]	27,600 [8.1]	12,400 [3.6]	12.00	14.50	76	1,220 [576]
	RCFL-H*3824(RGFG-10?ZCM?)	39,500 [11.6]	27,200 [8.0]	12,300 [3.6]	12.50	15.10	76	1,200 [566]
	RCFL-H*3824(RGLT-07?BRQ?)	40,000 [11.7]	27,800 [8.1]	12,200 [3.6]	13.00	15.50	76	1,250 [590]
	RCFL-H*3824(RGLT-10?BRM?)	40,000 [11.7]	27,800 [8.1]	12,200 [3.6]	13.00	15.50	76	1,250 [590]
	RCFL-H*3824(RGLT-12?ARM?)	39,500 [11.6]	26,750 [7.8]	12,750 [3.7]	13.00	16.00	76	1,150 [543]
	RCFL-H*3824(RGPT-07?BRQ?)	40,500 [11.9]	28,700 [8.4]	11,800 [3.5]	13.00	15.50	76	1,325 [625]
	RCFL-H*3824(RGPT-10?BRM?)	40,000 [11.7]	27,800 [8.1]	12,200 [3.6]	13.00	15.50	76	1,225 [578]
	RCFL-H*3824(RGPT-12?ARM?)	40,000 [11.7]	27,400 [8.0]	12,600 [3.7]	13.00	16.00	76	1,175 [554]
	RCFL-H*3824(RHWB-08WPX60A)	40,500 [11.9]	29,000 [8.5]	11,500 [3.4]	13.00	15.50	76	1,350 [637]
	RCFL-H*3824(RHWB-10WRX60A)	41,000 [12.0]	29,800 [8.7]	11,200 [3.3]	13.00	15.50	76	1,400 [661]
	RCFL-H*3824(ROCA-070E03)	39,500 [11.6]	27,150 [8.0]	12,350 [3.6]	12.50	15.10	76	1,200 [566]
	RCFL-H*3824(ROCA-070E04)	39,500 [11.6]	27,150 [8.0]	12,350 [3.6]	12.50	15.10	76	1,200 [566]
	RCFL-H*3824(ROLA-070E03)	39,500 [11.6]	26,950 [7.9]	12,550 [3.7]	12.50	15.50	76	1,175 [554]
	RCFL-H*3824(ROLA-070E04)	39,500 [11.6]	26,950 [7.9]	12,550 [3.7]	12.50	15.50	76	1,175 [554]
	RCFL-H*3824(ROLA-115E05)	40,000 [11.7]	27,550 [8.1]	12,450 [3.6]	13.00	15.50	76	1,200 [566]
	RCFL-H*3824+RXMD-C04	40,000 [11.7]	27,600 [8.1]	12,400 [3.6]	12.00	14.50	76	1,220 [576]
	RCFL-H*4821(RGFE-09?ZCM?)	39,500 [11.6]	27,150 [8.0]	12,350 [3.6]	12.50	15.10	76	1,200 [566]
	RCFL-H*4821(RGFE-10?ZCM?)	40,000 [11.7]	27,900 [8.2]	12,100 [3.5]	12.50	15.10	76	1,225 [578]
	RCFL-H*4821(RGFG-09?ZCM?)	39,500 [11.6]	27,400 [8.0]	12,100 [3.5]	12.50	15.10	76	1,200 [566]
	RCFL-H*4821(RGFG-10?ZCM?)	39,500 [11.6]	27,200 [8.0]	12,300 [3.6]	12.50	15.10	76	1,200 [566]
	RCFL-H*4821(RGGE-06?MCK?)	39,500 [11.6]	27,200 [8.0]	12,300 [3.6]	12.00	14.50	76	1,200 [566]
	RCFL-H*4821(RGGE-07?MCK?)	39,500 [11.6]	27,200 [8.0]	12,300 [3.6]	12.00	14.50	76	1,200 [566]
	RCFL-H*4821(RGGE-09?ZCM?)	40,000 [11.7]	27,850 [8.2]	12,150 [3.6]	12.50	15.50	76	1,225 [578]
	RCFL-H*4821(RGGE-10?ZCM?)	39,500 [11.6]	27,150 [8.0]	12,350 [3.6]	12.50	15.10	76	1,200 [566]
	RCFL-H*4821(RGJF-06?MCK?)	39,500 [11.6]	27,200 [8.0]	12,300 [3.6]	12.00	14.50	76	1,200 [566]
	RCFL-H*4821(RGJF-07?MCK?)	39,500 [11.6]	27,200 [8.0]	12,300 [3.6]	12.00	14.50	76	1,200 [566]
	RCFL-H*4821(RGJF-09?ZCM?)	40,000 [11.7]	27,850 [8.2]	12,150 [3.6]	12.50	15.50	76	1,225 [578]
	RCFL-H*4821(RGJF-10?ZCM?)	39,500 [11.6]	27,100 [7.9]	12,400 [3.6]	12.50	15.10	76	1,200 [566]
	RCFL-H*4821(RGLE-07?AMK?)	39,500 [11.6]	27,150 [8.0]	12,350 [3.6]	12.50	15.10	76	1,200 [566]
	RCFL-H*4821(RGLE-10?BRM?)	40,500 [11.9]	29,150 [8.5]	11,350 [3.3]	12.50	15.50	76	1,400 [661]
	RCFL-H*4821(RGLT-07?AMK?)	40,000 [11.7]	27,900 [8.2]	12,100 [3.5]	12.50	15.10	76	1,250 [590]
	RCFL-H*4821(RGLT-07?BRQ?)	40,000 [11.7]	27,800 [8.1]	12,200 [3.6]	13.00	15.50	76	1,250 [590]
RCFL-H*4821(RGLT-10?BRM?)	40,000 [11.7]	27,800 [8.1]	12,200 [3.6]	13.00	15.50	76	1,250 [590]	
RCFL-H*4821(RGPE-05?BMK?)	39,500 [11.6]	27,200 [8.0]	12,300 [3.6]	12.00	14.50	76	1,200 [566]	
RCFL-H*4821(RGPE-07?AMK?)	40,000 [11.7]	27,900 [8.2]	12,100 [3.5]	12.50	15.10	76	1,225 [578]	
RCFL-H*4821(RGPE-07?BRQ?)	40,000 [11.7]	27,800 [8.1]	12,200 [3.6]	13.00	15.50	76	1,225 [578]	
RCFL-H*4821(RGPE-10?BRM?)	40,000 [11.7]	27,800 [8.1]	12,200 [3.6]	13.00	15.50	76	1,225 [578]	
RCFL-H*4821(RGPT-05?BMK?)	39,500 [11.6]	27,450 [8.0]	12,050 [3.5]	12.00	14.50	76	1,225 [578]	
RCFL-H*4821(RGPT-07?AMK?)	39,500 [11.6]	27,450 [8.0]	12,050 [3.5]	12.00	14.50	76	1,250 [590]	
RCFL-H*4821(RGPT-07?BRQ?)	40,000 [11.7]	27,800 [8.1]	12,200 [3.6]	13.00	15.50	76	1,250 [590]	
RCFL-H*4821(RGPT-10?BRM?)	40,000 [11.7]	27,800 [8.1]	12,200 [3.6]	13.00	15.50	76	1,225 [578]	
RCFL-H*4821(RGRM-09?ZAJ?)	40,000 [11.7]	27,900 [8.2]	12,100 [3.5]	12.50	15.10	76	1,225 [578]	
RCFL-H*4821(RGRM-10?ZAJ?)	39,500 [11.6]	26,900 [7.9]	12,600 [3.7]	12.50	15.10	76	1,150 [543]	
RCFL-H*4821(RGTM-06?MAE?)	39,500 [11.6]	27,500 [8.1]	12,000 [3.5]	12.00	14.50	76	1,225 [578]	
RCFL-H*4821(RGTM-07?RBG?)	39,500 [11.6]	26,700 [7.8]	12,800 [3.8]	12.50	15.50	76	1,125 [531]	
RCFL-H*4821(RGTM-09?ZAJ?)	40,000 [11.7]	27,850 [8.2]	12,150 [3.6]	12.50	15.10	76	1,250 [590]	
RCFL-H*4821(RHWB-04WMX36A)	39,500 [11.6]	27,300 [8.0]	12,200 [3.6]	12.50	15.10	76	1,200 [566]	

① Highest sales volume tested combination required by D.O.E. test procedures.

[ ] Designates Metric Conversions

## Performance Data @ AHRI Standard Conditions—Cooling

Model Numbers		80°F [26.5°C] DB/67°F [19.5°C] WB Indoor Air 95°F [35°C] DB Outdoor Air					Sound Rating dB	Indoor CFM [L/s]
Outdoor Unit RAPM-	Indoor Coil and/or Air Handler	Total Capacity BTU/H [kW]	Net Sensible BTU/H [kW]	Net Latent BTU/H [kW]	EER	SEER		
Rev. 6/14/12	RCFL-H*4821(RHWB-06WMMX48A)	39,500 [11.6]	27,300 [8.0]	12,200 [3.6]	12.50	15.10	76	1,200 [566]
	RCFL-H*4821(ROCA-070E03)	39,500 [11.6]	27,150 [8.0]	12,350 [3.6]	12.50	15.10	76	1,200 [566]
	RCFL-H*4821(ROCA-070E04)	39,500 [11.6]	27,150 [8.0]	12,350 [3.6]	12.50	15.10	76	1,200 [566]
	RCFL-H*4821(ROLA-070E03)	39,500 [11.6]	26,950 [7.9]	12,550 [3.7]	12.50	15.50	76	1,175 [554]
	RCFL-H*4821(ROLA-070E04)	39,500 [11.6]	26,950 [7.9]	12,550 [3.7]	12.50	15.50	76	1,175 [554]
	RCFL-H*4821(ROLA-115E05)	40,000 [11.7]	27,550 [8.1]	12,450 [3.6]	13.00	15.50	76	1,200 [566]
	RCFL-H*4824(RGFE-09?ZCM?)	39,500 [11.6]	27,150 [8.0]	12,350 [3.6]	12.50	15.10	76	1,200 [566]
	RCFL-H*4824(RGFE-10?ZCM?)	40,000 [11.7]	27,900 [8.2]	12,100 [3.5]	12.50	15.10	76	1,225 [578]
	RCFL-H*4824(RGFE-12?RCM?)	40,000 [11.7]	27,850 [8.2]	12,150 [3.6]	12.50	15.50	76	1,225 [578]
	RCFL-H*4824(RGFG-09?ZCM?)	39,500 [11.6]	27,400 [8.0]	12,100 [3.5]	12.50	15.10	76	1,200 [566]
	RCFL-H*4824(RGFG-10?ZCM?)	39,500 [11.6]	27,200 [8.0]	12,300 [3.6]	12.50	15.10	76	1,200 [566]
	RCFL-H*4824(RGFG-12?RCM?)	40,000 [11.7]	28,000 [8.2]	12,000 [3.5]	13.00	15.50	76	1,225 [578]
	RCFL-H*4824(RGGE-09?ZCM?)	40,000 [11.7]	27,850 [8.2]	12,150 [3.6]	12.50	15.50	76	1,225 [578]
	RCFL-H*4824(RGGE-10?ZCM?)	39,500 [11.6]	27,150 [8.0]	12,350 [3.6]	12.50	15.10	76	1,200 [566]
	RCFL-H*4824(RGGE-12?RCM?)	40,500 [11.9]	29,050 [8.5]	11,450 [3.4]	12.50	15.00	76	1,375 [649]
	RCFL-H*4824(RGJF-09?ZCM?)	40,000 [11.7]	27,850 [8.2]	12,150 [3.6]	12.50	15.50	76	1,225 [578]
	RCFL-H*4824(RGJF-10?ZCM?)	40,000 [11.7]	27,850 [8.2]	12,150 [3.6]	12.50	15.50	76	1,225 [578]
	RCFL-H*4824(RGJF-12?RCM?)	40,000 [11.7]	27,550 [8.1]	12,450 [3.6]	13.00	15.50	76	1,200 [566]
	RCFL-H*4824(RGLE-10?BRM?)	40,500 [11.9]	29,150 [8.5]	11,350 [3.3]	12.50	15.50	76	1,400 [661]
	RCFL-H*4824(RGLE-12?ARM?)	40,000 [11.7]	27,800 [8.1]	12,200 [3.6]	13.00	15.50	76	1,225 [578]
	RCFL-H*4824(RGLT-07?BRQ?)	40,000 [11.7]	27,800 [8.1]	12,200 [3.6]	13.00	15.50	76	1,250 [590]
	RCFL-H*4824(RGLT-10?BRM?)	40,000 [11.7]	27,800 [8.1]	12,200 [3.6]	13.00	15.50	76	1,250 [590]
	RCFL-H*4824(RGLT-12?ARM?)	39,500 [11.6]	26,750 [7.8]	12,750 [3.7]	13.00	16.00	76	1,150 [543]
	RCFL-H*4824(RGPE-07?BRQ?)	40,000 [11.7]	27,800 [8.1]	12,200 [3.6]	13.00	15.50	76	1,225 [578]
	RCFL-H*4824(RGPE-10?BRM?)	40,000 [11.7]	27,800 [8.1]	12,200 [3.6]	13.00	15.50	76	1,225 [578]
	RCFL-H*4824(RGPE-12?ARM?)	41,000 [12.0]	29,800 [8.7]	11,200 [3.3]	12.50	15.50	76	1,425 [672]
	RCFL-H*4824(RGPT-07?BRQ?)	40,000 [11.7]	27,800 [8.1]	12,200 [3.6]	13.00	15.50	76	1,225 [578]
	RCFL-H*4824(RGPT-10?BRM?)	40,000 [11.7]	27,800 [8.1]	12,200 [3.6]	13.00	15.50	76	1,225 [578]
	RCFL-H*4824(RGPT-12?ARM?)	40,000 [11.7]	27,400 [8.0]	12,600 [3.7]	13.00	16.00	76	1,175 [554]
	RCFL-H*4824(RGRM-09?ZAJ?)	40,000 [11.7]	27,900 [8.2]	12,100 [3.5]	12.50	15.00	76	1,225 [578]
	RCFL-H*4824(RGRM-10?ZAJ?)	39,500 [11.6]	26,900 [7.9]	12,600 [3.7]	12.50	15.10	76	1,150 [543]
	RCFL-H*4824(RGRM-12?RAJ?)	40,000 [11.7]	27,850 [8.2]	12,150 [3.6]	12.50	15.10	76	1,225 [578]
	RCFL-H*4824(RGTM-07?RBG?)	39,500 [11.6]	26,700 [7.8]	12,800 [3.8]	12.50	15.50	76	1,125 [531]
	RCFL-H*4824(RGTM-09?ZAJ?)	40,000 [11.7]	27,850 [8.2]	12,150 [3.6]	12.50	15.10	76	1,250 [590]
	RCFL-H*4824(RGTM-10?RBJ?)	39,500 [11.6]	26,700 [7.8]	12,800 [3.8]	13.00	15.50	76	1,125 [531]
	RCFL-H*4824(RHWB-08WPX60A)	40,500 [11.9]	29,000 [8.5]	11,500 [3.4]	13.00	15.50	76	1,350 [637]
	RCFL-H*4824(RHWB-10WPX60A)	41,000 [12.0]	29,800 [8.7]	11,200 [3.3]	13.00	15.50	76	1,400 [661]
	RCFL-H*4824(ROCA-070E03)	39,500 [11.6]	27,150 [8.0]	12,350 [3.6]	12.50	15.10	76	1,200 [566]
	RCFL-H*4824(ROCA-070E04)	39,500 [11.6]	27,150 [8.0]	12,350 [3.6]	12.50	15.10	76	1,200 [566]
	RCFL-H*4824(ROLA-070E03)	39,500 [11.6]	26,950 [7.9]	12,550 [3.7]	12.50	15.50	76	1,175 [554]
	RCFL-H*4824(ROLA-070E04)	39,500 [11.6]	26,950 [7.9]	12,550 [3.7]	12.50	15.50	76	1,175 [554]
	RCFL-H*4824(ROLA-115E05)	40,000 [11.7]	27,550 [8.1]	12,450 [3.6]	13.00	15.50	76	1,200 [566]
	RCFL-H*4824+RXMD-C04	39,500 [11.6]	27,500 [8.1]	12,000 [3.5]	12.00	14.50	76	1,250 [590]
	RCFN-H*4824(RGFE-09?ZCM?)	43,500 [12.7]	32,500 [9.5]	11,000 [3.2]	12.50	15.00	76	1,200 [566]
	RCFN-H*4824(RGFE-10?ZCM?)	42,500 [12.5]	30,500 [8.9]	12,000 [3.5]	13.00	15.50	76	1,225 [578]
	RCFN-H*4824(RGFE-12?RCM?)	43,000 [12.6]	30,950 [9.1]	12,050 [3.5]	13.00	16.00	76	1,225 [578]
	RCFN-H*4824(RGFG-09?ZCM?)	44,000 [12.9]	34,000 [10.0]	10,000 [2.9]	13.00	15.50	76	1,400 [661]
	RCFN-H*4824(RGFG-10?ZCM?)	44,000 [12.9]	34,050 [10.0]	9,950 [2.9]	12.50	15.10	76	1,400 [661]

① Highest sales volume tested combination required by D.O.E. test procedures.

[ ] Designates Metric Conversions



## Performance Data @ AHRI Standard Conditions—Cooling

Model Numbers		80°F [26.5°C] DB/67°F [19.5°C] WB Indoor Air 95°F [35°C] DB Outdoor Air					Sound Rating dB	Indoor CFM [L/s]
Outdoor Unit RAPM-	Indoor Coil and/or Air Handler	Total Capacity BTU/H [kW]	Net Sensible BTU/H [kW]	Net Latent BTU/H [kW]	EER	SEER		
Rev. 6/14/12	RCFN-H*4824(RGFG-12?RCM?)	44,500 [13.0]	34,800 [10.2]	9,700 [2.8]	13.00	15.50	76	1,450 [684]
	RCFN-H*4824(RGGE-09?ZCM?)	43,000 [12.6]	30,950 [9.1]	12,050 [3.5]	13.00	16.00	76	1,225 [578]
	RCFN-H*4824(RGGE-10?ZCM?)	43,500 [12.7]	32,500 [9.5]	11,000 [3.2]	12.50	15.00	76	1,200 [566]
	RCFN-H*4824(RGGE-12?RCM?)	43,500 [12.7]	32,500 [9.5]	11,000 [3.2]	13.00	15.50	76	1,375 [649]
	RCFN-H*4824(RGJF-09?ZCM?)	43,000 [12.6]	30,950 [9.1]	12,050 [3.5]	13.00	16.00	76	1,225 [578]
	RCFN-H*4824(RGJF-10?ZCM?)	43,500 [12.7]	32,500 [9.5]	11,000 [3.2]	12.50	15.00	76	1,200 [566]
	RCFN-H*4824(RGJF-12?RCM?)	43,500 [12.7]	32,500 [9.5]	11,000 [3.2]	13.00	15.50	76	1,375 [649]
	RCFN-H*4824(RGLE-07?BRQ?)	43,000 [12.6]	30,900 [9.1]	12,100 [3.5]	13.00	16.00	76	1,225 [578]
	RCFN-H*4824(RGLE-10?BRM?)	44,000 [12.9]	32,950 [9.7]	11,050 [3.2]	13.00	16.00	76	1,400 [661]
	RCFN-H*4824(RGLE-12?ARM?)	43,000 [12.6]	32,300 [9.5]	10,700 [3.1]	13.00	16.00	76	1,225 [578]
	RCFN-H*4824(RGLT-07?BRQ?)	43,000 [12.6]	31,050 [9.1]	11,950 [3.5]	13.00	16.00	76	1,250 [590]
	RCFN-H*4824(RGLT-10?BRM?)	43,000 [12.6]	31,050 [9.1]	11,950 [3.5]	13.00	16.00	76	1,250 [590]
	RCFN-H*4824(RGLT-12?ARM?)	44,000 [12.9]	32,950 [9.7]	11,050 [3.2]	13.00	16.00	76	1,400 [661]
	RCFN-H*4824(RGPE-07?BRQ?)	43,000 [12.6]	30,900 [9.1]	12,100 [3.5]	13.00	16.00	76	1,225 [578]
	RCFN-H*4824(RGPE-10?BRM?)	43,000 [12.6]	30,900 [9.1]	12,100 [3.5]	13.00	16.00	76	1,225 [578]
RCFN-H*4824(RGPE-12?ARM?)	43,500 [12.7]	32,500 [9.5]	11,000 [3.2]	13.00	16.00	76	1,425 [672]	
RCFN-H*4824(RGPT-07?BRQ?)	43,500 [12.7]	31,950 [9.4]	11,550 [3.4]	13.00	16.00	76	1,325 [625]	
RCFN-H*4824(RGPT-12?ARM?)	44,000 [12.9]	32,950 [9.7]	11,050 [3.2]	13.00	16.00	76	1,375 [649]	
RCFN-H*4824(RGRM-09?ZAJ?)	42,500 [12.5]	30,100 [8.8]	12,400 [3.6]	13.00	15.50	76	1,225 [578]	
RCFN-H*4824(RGRM-12?RAJ?)	42,500 [12.5]	30,050 [8.8]	12,450 [3.6]	13.00	15.50	76	1,225 [578]	
RCFN-H*4824(RHWP-08WRX60A)	44,500 [13.0]	34,400 [10.1]	10,100 [3.0]	13.00	16.00	76	1,350 [637]	
RCFN-H*4824(RHWP-10WRX60A)	44,500 [13.0]	34,700 [10.2]	9,800 [2.9]	13.00	16.00	76	1,400 [661]	
RCFN-H*4824(ROLA-070E04)	43,500 [12.7]	32,500 [9.5]	11,000 [3.2]	13.00	15.50	76	1,375 [649]	
RCFN-H*4824(ROLA-115E05)	43,500 [12.7]	32,500 [9.5]	11,000 [3.2]	13.00	15.50	76	1,400 [661]	
RCFN-H*4824+RXMD-C04	42,000 [12.3]	29,800 [8.7]	12,200 [3.6]	12.50	15.00	76	1,200 [566]	
RBHP-24(RCHL-48A1)	39,500 [11.6]	27,200 [8.0]	12,300 [3.6]	12.50	15.00	76	1,400 [661]	
RCQD-4821(RGFE-06?MCK?)	39,500 [11.6]	27,400 [8.0]	12,100 [3.5]	11.50	14.00	76	1,200 [566]	
RCQD-4821(RGFE-09?ZCM?)	40,500 [11.9]	29,450 [8.6]	11,050 [3.2]	11.50	14.00	76	1,400 [661]	
RCQD-4821(RGFE-10?ZCM?)	40,500 [11.9]	29,600 [8.7]	10,900 [3.2]	12.00	14.00	76	1,425 [672]	
RCQD-4821(RGFG-09?ZCM?)	39,500 [11.6]	27,400 [8.0]	12,100 [3.5]	12.50	15.00	76	1,200 [566]	
RCQD-4821(RGFG-10?ZCM?)	39,500 [11.6]	27,400 [8.0]	12,100 [3.5]	12.00	14.50	76	1,200 [566]	
RCQD-4821(RGJF-06?MCK?)	40,000 [11.7]	27,850 [8.2]	12,150 [3.6]	12.00	14.50	76	1,200 [566]	
RCQD-4821(RGJF-07?MCK?)	39,500 [11.6]	27,350 [8.0]	12,150 [3.6]	12.00	14.00	76	1,200 [566]	
RCQD-4821(RGJF-09?ZCM?)	40,000 [11.7]	27,900 [8.2]	12,100 [3.5]	12.50	15.00	76	1,225 [578]	
RCQD-4821(RGJF-10?ZCM?)	40,000 [11.7]	27,750 [8.1]	12,250 [3.6]	12.50	15.00	76	1,200 [566]	
RCQD-4821(RGPE-05?BMK?)	39,500 [11.6]	27,350 [8.0]	12,150 [3.6]	12.00	14.50	76	1,200 [566]	
RCQD-4821(RGPE-07?AMK?)	40,000 [11.7]	27,950 [8.2]	12,050 [3.5]	12.00	14.50	76	1,225 [578]	
RCQD-4821(RGPE-07?BRQ?)	40,500 [11.9]	28,350 [8.3]	12,150 [3.6]	12.50	15.10	76	1,225 [578]	
RCQD-4821(RGPE-10?BRM?)	40,500 [11.9]	28,350 [8.3]	12,150 [3.6]	12.50	15.50	76	1,225 [578]	
RCQD-4821(RGPT-05?BMK?)	40,000 [11.7]	28,150 [8.2]	11,850 [3.5]	12.00	14.00	76	1,250 [590]	
RCQD-4821(RGPT-07?AMK?)	40,000 [11.7]	28,100 [8.2]	11,900 [3.5]	12.00	14.50	76	1,250 [590]	
RCQD-4821(RGPT-07?BRQ?)	40,500 [11.9]	28,500 [8.4]	12,000 [3.5]	13.00	15.00	76	1,250 [590]	
RCQD-4821(RGPT-10?BRM?)	40,500 [11.9]	28,500 [8.4]	12,000 [3.5]	13.00	15.50	76	1,250 [590]	
RCQD-4821(RGRM-09?ZAJ?)	40,000 [11.7]	30,200 [8.8]	9,800 [2.9]	11.50	14.00	76	1,225 [578]	
RCQD-4821(RGRM-10?ZAJ?)	39,500 [11.6]	29,250 [8.6]	10,250 [3.0]	11.50	14.00	76	1,150 [543]	
RCQD-4821(RHWP-04WMX36A)	39,500 [11.6]	27,600 [8.1]	11,900 [3.5]	12.50	15.10	76	1,200 [566]	
RCQD-4821(RHWP-06WMX48A)	39,500 [11.6]	27,600 [8.1]	11,900 [3.5]	12.50	15.10	76	1,200 [566]	
RCQD-4821(ROCA-070E03)	40,000 [11.7]	27,800 [8.1]	12,200 [3.6]	12.00	14.50	76	1,200 [566]	

042JAZ

① Highest sales volume tested combination required by D.O.E. test procedures.

[ ] Designates Metric Conversions



## Performance Data @ AHRI Standard Conditions—Cooling

Model Numbers		80°F [26.5°C] DB/67°F [19.5°C] WB Indoor Air 95°F [35°C] DB Outdoor Air					Sound Rating dB	Indoor CFM [L/s]
Outdoor Unit RAPM-	Indoor Coil and/or Air Handler	Total Capacity BTU/H [kW]	Net Sensible BTU/H [kW]	Net Latent BTU/H [kW]	EER	SEER		
Rev. 6/14/12	RCQD-4821(ROCA-070E04)	40,000 [11.7]	27,800 [8.1]	12,200 [3.6]	12.00	14.50	76	1,200 [566]
	RCQD-4821(ROLA-070E03)	40,000 [11.7]	27,600 [8.1]	12,400 [3.6]	12.50	15.10	76	1,175 [554]
	RCQD-4821(ROLA-070E04)	40,000 [11.7]	27,600 [8.1]	12,400 [3.6]	12.50	15.10	76	1,175 [554]
	RCQD-4821(ROLA-115E05)	40,000 [11.7]	27,700 [8.1]	12,300 [3.6]	12.50	15.10	76	1,200 [566]
	RCQD-4821+RXMD-C04	39,500 [11.6]	27,800 [8.1]	11,700 [3.4]	11.50	14.00	76	1,255 [592]
	RCQD-4824(RGFE-09?ZCM?)	40,000 [11.7]	27,750 [8.1]	12,250 [3.6]	12.50	15.00	76	1,200 [566]
	RCQD-4824(RGFE-10?ZCM?)	40,000 [11.7]	27,900 [8.2]	12,100 [3.5]	12.00	14.50	76	1,225 [578]
	RCQD-4824(RGFE-12?RCM?)	40,500 [11.9]	28,350 [8.3]	12,150 [3.6]	12.50	15.00	76	1,225 [578]
	RCQD-4824(RGFG-09?ZCM?)	39,500 [11.6]	27,400 [8.0]	12,100 [3.5]	12.50	15.10	76	1,200 [566]
	RCQD-4824(RGFG-10?ZCM?)	39,500 [11.6]	27,400 [8.0]	12,100 [3.5]	12.50	15.10	76	1,200 [566]
	RCQD-4824(RGFG-12?RCM?)	40,000 [11.7]	28,100 [8.2]	11,900 [3.5]	13.00	15.50	76	1,225 [578]
	RCQD-4824(RGJF-09?ZCM?)	40,000 [11.7]	27,850 [8.2]	12,150 [3.6]	12.50	15.00	76	1,225 [578]
	RCQD-4824(RGJF-10?ZCM?)	40,500 [11.9]	29,400 [8.6]	11,100 [3.3]	12.00	14.50	76	1,400 [661]
	RCQD-4824(RGJF-12?RCM?)	40,000 [11.7]	27,700 [8.1]	12,300 [3.6]	12.50	15.50	76	1,200 [566]
	RCQD-4824(RGPE-07?BRQ?)	40,500 [11.9]	28,300 [8.3]	12,200 [3.6]	12.50	15.50	76	1,225 [578]
	RCQD-4824(RGPE-10?BRM?)	40,500 [11.9]	28,300 [8.3]	12,200 [3.6]	12.50	15.50	76	1,225 [578]
	RCQD-4824(RGPE-12?ARM?)	40,500 [11.9]	28,150 [8.2]	12,350 [3.6]	13.00	15.50	76	1,200 [566]
	RCQD-4824(RGPT-07?BRQ?)	40,500 [11.9]	28,500 [8.4]	12,000 [3.5]	13.00	15.50	76	1,275 [602]
	RCQD-4824(RGPT-10?BRM?)	40,500 [11.9]	28,450 [8.3]	12,050 [3.5]	13.00	15.50	76	1,275 [602]
	RCQD-4824(RGPT-12?ARM?)	40,500 [11.9]	28,300 [8.3]	12,200 [3.6]	13.00	15.50	76	1,225 [578]
	RCQD-4824(RGRM-09?ZAJ?)	39,500 [11.6]	29,900 [8.8]	9,600 [2.8]	11.50	14.00	76	1,225 [578]
	RCQD-4824(RGRM-10?ZAJ?)	39,500 [11.6]	29,450 [8.6]	10,050 [2.9]	11.50	14.00	76	1,150 [543]
	RCQD-4824(RGRM-12?RAJ?)	40,000 [11.7]	30,350 [8.9]	9,650 [2.8]	12.00	14.50	76	1,225 [578]
	RCQD-4824(RHWP-08WRX60A)	41,000 [12.0]	30,100 [8.8]	10,900 [3.2]	13.00	15.50	76	1,400 [661]
	RCQD-4824(ROCA-070E03)	40,000 [11.7]	27,750 [8.1]	12,250 [3.6]	12.50	15.00	76	1,200 [566]
	RCQD-4824(ROCA-070E04)	40,000 [11.7]	27,750 [8.1]	12,250 [3.6]	12.50	15.00	76	1,200 [566]
	RCQD-4824(ROLA-070E03)	40,000 [11.7]	27,600 [8.1]	12,400 [3.6]	12.50	15.10	76	1,175 [554]
	RCQD-4824(ROLA-070E04)	40,000 [11.7]	27,600 [8.1]	12,400 [3.6]	12.50	15.10	76	1,175 [554]
	RCQD-4824(ROLA-115E05)	40,000 [11.7]	27,700 [8.1]	12,300 [3.6]	13.00	15.50	76	1,200 [566]
	RCQD-4824+RXMD-C04	39,500 [11.6]	27,800 [8.1]	11,700 [3.4]	11.50	14.00	76	1,255 [592]
	RHKL-HM3821(RCSL-H*3821)	41,000 [12.0]	28,250 [8.3]	12,750 [3.7]	13.00	16.00	76	1,200 [566]
	RHLL-HM3821(RCSL-H*3821)	41,000 [12.0]	28,800 [8.4]	12,200 [3.6]	13.00	16.00	76	1,220 [576]
	RHKL-HM4821(RCSL-H*4821)	41,000 [12.0]	29,600 [8.7]	11,400 [3.3]	13.00	15.50	76	1,400 [661]
RHLL-HM4821(RCSL-H*4821)	41,000 [12.0]	29,600 [8.7]	11,400 [3.3]	13.00	15.50	76	1,400 [661]	
RHSL-HM4221(RCSL-H*4821)	40,000 [11.7]	28,550 [8.4]	11,450 [3.4]	12.00	14.50	76	1,350 [637]	
RHPN-HM3624(RCSN-H*3624)	43,000 [12.6]	30,450 [8.9]	12,550 [3.7]	13.00	16.00	76	1,200 [566]	
048JAZ	RCFL-H*4821+RXMD-C04 ①	47,500 [13.9]	33,350 [9.8]	14,150 [4.1]	12.00	14.50	76	1,575 [743]
	RCFL-A*4821(RGFE-09?ZCM?)	47,000 [13.8]	31,650 [9.3]	15,350 [4.5]	12.00	14.50	76	1,400 [661]
	RCFL-A*4821(RGFG-09?ZCM?)	47,000 [13.8]	31,600 [9.3]	15,400 [4.5]	12.00	14.50	76	1,400 [661]
	RCFL-A*4821(RGGE-09?ZCM?)	47,000 [13.8]	31,600 [9.3]	15,400 [4.5]	12.50	14.50	76	1,400 [661]
	RCFL-A*4821(RGGE-10?ZCM?)	47,000 [13.8]	31,650 [9.3]	15,350 [4.5]	12.00	14.50	76	1,400 [661]
	RCFL-A*4821(RGLE-10?BRM?)	47,500 [13.9]	32,000 [9.4]	15,500 [4.5]	12.50	15.10	76	1,400 [661]
	RCFL-A*4821(RGLT-07?AMK?)	46,500 [13.6]	30,650 [9.0]	15,850 [4.6]	12.00	14.50	76	1,325 [625]
	RCFL-A*4821(RGLT-07?BRQ?)	47,500 [13.9]	32,200 [9.4]	15,300 [4.5]	12.50	15.10	76	1,425 [672]
	RCFL-A*4821(RGLT-10?BRM?)	47,500 [13.9]	32,050 [9.4]	15,450 [4.5]	12.50	15.10	76	1,400 [661]
	RCFL-A*4821(RGPE-07?BRQ?)	47,500 [13.9]	32,050 [9.4]	15,450 [4.5]	12.50	15.10	76	1,400 [661]
	RCFL-A*4821(RGPE-10?BRM?)	47,500 [13.9]	32,050 [9.4]	15,450 [4.5]	12.50	15.10	76	1,400 [661]
	RCFL-A*4821(RGPT-07?AMK?)	46,500 [13.6]	30,700 [9.0]	15,800 [4.6]	12.00	14.50	76	1,325 [625]

① Highest sales volume tested combination required by D.O.E. test procedures.

[ ] Designates Metric Conversions



## Performance Data @ AHRI Standard Conditions—Cooling

Model Numbers		80°F [26.5°C] DB/67°F [19.5°C] WB Indoor Air 95°F [35°C] DB Outdoor Air					Sound Rating dB	Indoor CFM [L/s]
Outdoor Unit RAPM-	Indoor Coil and/or Air Handler	Total Capacity BTU/H [kW]	Net Sensible BTU/H [kW]	Net Latent BTU/H [kW]	EER	SEER		
Rev. 6/14/12	RCFL-A*4821(RGPT-07?BRQ?)	47,500 [13.9]	32,150 [9.4]	15,350 [4.5]	12.50	15.00	76	1,425 [672]
	RCFL-A*4821(RGPT-10?BRM?)	47,500 [13.9]	32,150 [9.4]	15,350 [4.5]	12.50	15.50	76	1,425 [672]
	RCFL-A*4821(RGTM-07?RBG?)	47,500 [13.9]	32,600 [9.6]	14,900 [4.4]	12.50	14.50	76	1,475 [696]
	RCFL-A*4821(RGTM-09?ZAJ?)	47,000 [13.8]	31,600 [9.3]	15,400 [4.5]	12.50	14.50	76	1,400 [661]
	RCFL-A*4821(ROLA-070E04)	47,000 [13.8]	31,400 [9.2]	15,600 [4.6]	12.50	15.10	76	1,375 [649]
	RCFL-A*4821(ROLA-115E05)	47,000 [13.8]	31,550 [9.2]	15,450 [4.5]	12.50	15.10	76	1,400 [661]
	RCFL-A*4821+RXMD-C04	47,500 [13.9]	33,350 [9.8]	14,150 [4.1]	12.00	14.50	76	1,575 [743]
	RCFL-A*4824(RGFE-09?ZCM?)	47,000 [13.8]	31,650 [9.3]	15,350 [4.5]	12.00	14.50	76	1,400 [661]
	RCFL-A*4824(RGFE-12?RCM?)	47,500 [13.9]	32,400 [9.5]	15,100 [4.4]	12.50	15.00	76	1,450 [684]
	RCFL-A*4824(RGFG-10?ZCM?)	47,000 [13.8]	31,600 [9.3]	15,400 [4.5]	12.00	14.50	76	1,400 [661]
048JAZ	RCFL-A*4824(RGFG-12?RCM?)	47,000 [13.8]	32,200 [9.4]	14,800 [4.3]	12.50	15.00	76	1,450 [684]
	RCFL-A*4824(RGGE-09?ZCM?)	47,000 [13.8]	31,600 [9.3]	15,400 [4.5]	12.00	14.50	76	1,400 [661]
	RCFL-A*4824(RGGE-12?RCM?)	47,000 [13.8]	31,350 [9.2]	15,650 [4.6]	12.50	15.10	76	1,375 [649]
	RCFL-A*4824(RGLE-10?BRM?)	47,500 [13.9]	32,000 [9.4]	15,500 [4.5]	12.50	15.10	76	1,400 [661]
	RCFL-A*4824(RGLE-12?ARM?)	47,500 [13.9]	32,150 [9.4]	15,350 [4.5]	12.50	15.10	76	1,425 [672]
	RCFL-A*4824(RGLT-07?BRQ?)	47,500 [13.9]	32,200 [9.4]	15,300 [4.5]	12.50	15.10	76	1,425 [672]
	RCFL-A*4824(RGLT-10?BRM?)	47,500 [13.9]	32,050 [9.4]	15,450 [4.5]	12.50	15.10	76	1,400 [661]
	RCFL-A*4824(RGLT-12?ARM?)	47,500 [13.9]	31,650 [9.3]	15,850 [4.6]	13.00	15.50	76	1,350 [637]
	RCFL-A*4824(RGPE-07?BRQ?)	47,500 [13.9]	32,050 [9.4]	15,450 [4.5]	12.50	15.10	76	1,400 [661]
	RCFL-A*4824(RGPE-10?BRM?)	47,500 [13.9]	32,050 [9.4]	15,450 [4.5]	12.50	15.10	76	1,400 [661]
	RCFL-A*4824(RGPE-12?ARM?)	47,500 [13.9]	32,150 [9.4]	15,350 [4.5]	12.50	15.10	76	1,425 [672]
	RCFL-A*4824(RGPT-07?BRQ?)	48,500 [14.2]	34,100 [10.0]	14,400 [4.2]	13.00	15.50	76	1,550 [731]
	RCFL-A*4824(RGPT-10?BRM?)	47,500 [13.9]	32,000 [9.4]	15,500 [4.5]	12.50	15.10	76	1,400 [661]
	RCFL-A*4824(RGPT-12?ARM?)	47,500 [13.9]	31,650 [9.3]	15,850 [4.6]	13.00	15.50	76	1,350 [637]
	RCFL-A*4824(RGTM-07?RBG?)	47,500 [13.9]	32,600 [9.6]	14,900 [4.4]	12.50	14.50	76	1,475 [696]
	RCFL-A*4824(RGTM-09?ZAJ?)	47,000 [13.8]	31,600 [9.3]	15,400 [4.5]	12.50	14.50	76	1,400 [661]
	RCFL-A*4824(RGTM-10?RBJ?)	47,500 [13.9]	32,200 [9.4]	15,300 [4.5]	12.50	15.10	76	1,425 [672]
	RCFL-A*4824(RHWP-08WRX60A)	47,500 [13.9]	32,500 [9.5]	15,000 [4.4]	12.50	15.10	76	1,450 [684]
	RCFL-A*4824(RHWP-10WRX60A)	48,000 [14.1]	33,200 [9.7]	14,800 [4.3]	13.00	15.50	76	1,475 [696]
	RCFL-A*4824(ROLA-070E04)	47,000 [13.8]	31,400 [9.2]	15,600 [4.6]	12.50	15.10	76	1,375 [649]
	RCFL-A*4824(ROLA-115E05)	47,500 [13.9]	32,800 [9.6]	14,700 [4.3]	12.00	14.50	76	1,500 [708]
	RCFL-A*4824+RXMD-C04	47,500 [13.9]	33,350 [9.8]	14,150 [4.1]	12.00	14.50	76	1,575 [743]
	RCFL-H*4821(RGFE-09?ZCM?)	47,000 [13.8]	31,650 [9.3]	15,350 [4.5]	12.00	14.50	76	1,400 [661]
	RCFL-H*4821(RGFG-09?ZCM?)	47,000 [13.8]	31,600 [9.3]	15,400 [4.5]	12.00	14.50	76	1,400 [661]
	RCFL-H*4821(RGFG-10?ZCM?)	47,000 [13.8]	31,600 [9.3]	15,400 [4.5]	12.00	14.50	76	1,400 [661]
	RCFL-H*4821(RGGE-09?ZCM?)	47,000 [13.8]	31,600 [9.3]	15,400 [4.5]	12.00	14.50	76	1,400 [661]
	RCFL-H*4821(RGGE-10?ZCM?)	47,000 [13.8]	31,650 [9.3]	15,350 [4.5]	12.00	14.50	76	1,400 [661]
	RCFL-H*4821(RGJF-09?ZCM?)	47,000 [13.8]	31,600 [9.3]	15,400 [4.5]	12.00	14.50	76	1,400 [661]
	RCFL-H*4821(RGJF-10?ZCM?)	47,000 [13.8]	31,650 [9.3]	15,350 [4.5]	12.00	14.50	76	1,400 [661]
	RCFL-H*4821(RGLE-10?BRM?)	47,500 [13.9]	32,000 [9.4]	15,500 [4.5]	12.50	15.10	76	1,400 [661]
	RCFL-H*4821(RGLT-07?AMK?)	46,500 [13.6]	30,650 [9.0]	15,850 [4.6]	12.00	14.50	76	1,325 [625]
	RCFL-H*4821(RGLT-07?BRQ?)	47,500 [13.9]	32,200 [9.4]	15,300 [4.5]	12.50	15.10	76	1,425 [672]
	RCFL-H*4821(RGLT-10?BRM?)	47,500 [13.9]	32,050 [9.4]	15,450 [4.5]	12.50	15.10	76	1,400 [661]
	RCFL-H*4821(RGPE-07?BRQ?)	47,500 [13.9]	32,050 [9.4]	15,450 [4.5]	12.50	15.10	76	1,400 [661]
	RCFL-H*4821(RGPE-10?BRM?)	47,500 [13.9]	32,050 [9.4]	15,450 [4.5]	12.50	15.10	76	1,400 [661]
	RCFL-H*4821(RGPT-07?AMK?)	46,500 [13.6]	30,700 [9.0]	15,800 [4.6]	12.00	14.50	76	1,325 [625]
	RCFL-H*4821(RGPT-07?BRQ?)	47,500 [13.9]	32,150 [9.4]	15,350 [4.5]	12.50	15.00	76	1,425 [672]
	RCFL-H*4821(RGPT-10?BRM?)	47,500 [13.9]	32,150 [9.4]	15,350 [4.5]	12.50	15.50	76	1,425 [672]

① Highest sales volume tested combination required by D.O.E. test procedures.

[ ] Designates Metric Conversions

## Performance Data @ AHRI Standard Conditions—Cooling

Model Numbers		80°F [26.5°C] DB/67°F [19.5°C] WB Indoor Air 95°F [35°C] DB Outdoor Air					Sound Rating dB	Indoor CFM [L/s]
Outdoor Unit RAPM-	Indoor Coil and/or Air Handler	Total Capacity BTU/H [kW]	Net Sensible BTU/H [kW]	Net Latent BTU/H [kW]	EER	SEER		
Rev. 6/14/12	RCFL-H*4821(RGRM-09?ZAJ?)	47,000 [13.8]	31,700 [9.3]	15,300 [4.5]	12.00	14.50	76	1,400 [661]
	RCFL-H*4821(RGTM-07?RBG?)	47,500 [13.9]	32,600 [9.6]	14,900 [4.4]	12.50	14.50	76	1,475 [696]
	RCFL-H*4821(RGTM-09?ZAJ?)	47,000 [13.8]	31,600 [9.3]	15,400 [4.5]	12.50	14.50	76	1,400 [661]
	RCFL-H*4821(ROLA-070E04)	47,000 [13.8]	31,400 [9.2]	15,600 [4.6]	12.50	15.10	76	1,375 [649]
	RCFL-H*4821(ROLA-115E05)	47,000 [13.8]	31,550 [9.2]	15,450 [4.5]	12.50	15.10	76	1,400 [661]
	RCFL-H*4824(RGFE-09?ZCM?)	47,000 [13.8]	31,650 [9.3]	15,350 [4.5]	12.00	14.50	76	1,400 [661]
	RCFL-H*4824(RGFE-12?RCM?)	47,500 [13.9]	32,400 [9.5]	15,100 [4.4]	12.50	15.00	76	1,450 [684]
	RCFL-H*4824(RGFG-12?RCM?)	47,000 [13.8]	32,200 [9.4]	14,800 [4.3]	12.50	15.00	76	1,450 [684]
	RCFL-H*4824(RGGE-09?ZCM?)	47,000 [13.8]	31,600 [9.3]	15,400 [4.5]	12.00	14.50	76	1,400 [661]
	RCFL-H*4824(RGGE-10?ZCM?)	47,000 [13.8]	31,650 [9.3]	15,350 [4.5]	12.00	14.50	76	1,400 [661]
	RCFL-H*4824(RGGE-12?RCM?)	47,000 [13.8]	31,350 [9.2]	15,650 [4.6]	12.50	15.10	76	1,375 [649]
	RCFL-H*4824(RGJF-09?ZCM?)	47,000 [13.8]	31,600 [9.3]	15,400 [4.5]	12.00	14.50	76	1,400 [661]
	RCFL-H*4824(RGJF-10?ZCM?)	47,000 [13.8]	31,650 [9.3]	15,350 [4.5]	12.00	14.50	76	1,400 [661]
	RCFL-H*4824(RGJF-12?RCM?)	47,000 [13.8]	31,350 [9.2]	15,650 [4.6]	12.50	15.10	76	1,375 [649]
	RCFL-H*4824(RGLE-10?BRM?)	47,500 [13.9]	32,000 [9.4]	15,500 [4.5]	12.50	15.10	76	1,400 [661]
	RCFL-H*4824(RGLE-12?ARM?)	47,500 [13.9]	32,150 [9.4]	15,350 [4.5]	12.50	15.10	76	1,425 [672]
	RCFL-H*4824(RGLT-07?BRQ?)	47,500 [13.9]	32,200 [9.4]	15,300 [4.5]	12.50	15.10	76	1,425 [672]
	RCFL-H*4824(RGLT-10?BRM?)	47,500 [13.9]	32,050 [9.4]	15,450 [4.5]	12.50	15.10	76	1,400 [661]
	RCFL-H*4824(RGLT-12?ARM?)	47,500 [13.9]	31,650 [9.3]	15,850 [4.6]	13.00	15.50	76	1,350 [637]
	RCFL-H*4824(RGPE-07?BRQ?)	47,500 [13.9]	32,050 [9.4]	15,450 [4.5]	12.50	15.10	76	1,400 [661]
	RCFL-H*4824(RGPE-10?BRM?)	47,500 [13.9]	32,050 [9.4]	15,450 [4.5]	12.50	15.10	76	1,400 [661]
	RCFL-H*4824(RGPE-12?ARM?)	47,500 [13.9]	32,150 [9.4]	15,350 [4.5]	12.50	15.10	76	1,425 [672]
	RCFL-H*4824(RGPT-07?BRQ?)	48,500 [14.2]	34,100 [10.0]	14,400 [4.2]	13.00	15.50	76	1,550 [731]
	RCFL-H*4824(RGPT-10?BRM?)	47,500 [13.9]	32,000 [9.4]	15,500 [4.5]	12.50	15.10	76	1,400 [661]
	RCFL-H*4824(RGPT-12?ARM?)	47,500 [13.9]	31,650 [9.3]	15,850 [4.6]	13.00	15.50	76	1,350 [637]
	RCFL-H*4824(RGRM-12?RAJ?)	47,000 [13.8]	31,750 [9.3]	15,250 [4.5]	12.00	14.50	76	1,425 [672]
	RCFL-H*4824(RGTM-07?RBG?)	47,500 [13.9]	32,600 [9.6]	14,900 [4.4]	12.50	14.50	76	1,475 [696]
	RCFL-H*4824(RGTM-09?ZAJ?)	47,000 [13.8]	31,600 [9.3]	15,400 [4.5]	12.50	14.50	76	1,400 [661]
	RCFL-H*4824(RGTM-10?RBJ?)	47,500 [13.9]	32,200 [9.4]	15,300 [4.5]	12.50	15.10	76	1,425 [672]
	RCFL-H*4824(RHWP-08WRX60A)	47,500 [13.9]	32,500 [9.5]	15,000 [4.4]	12.50	15.10	76	1,450 [684]
	RCFL-H*4824(RHWP-10WRX60A)	48,000 [14.1]	33,200 [9.7]	14,800 [4.3]	13.00	15.50	76	1,475 [696]
	RCFL-H*4824(ROLA-070E04)	47,000 [13.8]	31,400 [9.2]	15,600 [4.6]	12.50	15.10	76	1,375 [649]
	RCFL-H*4824(ROLA-115E05)	47,500 [13.9]	32,800 [9.6]	14,700 [4.3]	12.00	14.50	76	1,500 [708]
	RCFL-H*4824+RXMD-C04	47,500 [13.9]	33,350 [9.8]	14,150 [4.1]	12.00	14.50	76	1,575 [743]
	RCFN-H*4824(RGFE-12?RCM?)	50,500 [14.8]	36,050 [10.6]	14,450 [4.2]	13.00	16.00	76	1,450 [684]
	RCFN-H*4824(RGFG-09?ZCM?)	49,500 [14.5]	35,250 [10.3]	14,250 [4.2]	13.00	15.50	76	1,400 [661]
	RCFN-H*4824(RGFG-10?ZCM?)	49,500 [14.5]	35,250 [10.3]	14,250 [4.2]	12.50	15.50	76	1,400 [661]
	RCFN-H*4824(RGFG-12?RCM?)	50,000 [14.6]	36,000 [10.5]	14,000 [4.1]	13.00	15.50	76	1,450 [684]
	RCFN-H*4824(RGGE-12?RCM?)	51,500 [15.1]	37,950 [11.1]	13,550 [4.0]	13.00	15.50	76	1,575 [743]
	RCFN-H*4824(RGJF-12?RCM?)	51,500 [15.1]	37,950 [11.1]	13,550 [4.0]	13.00	15.50	76	1,575 [743]
RCFN-H*4824(RGLE-07?BRQ?)	51,500 [15.1]	38,150 [11.2]	13,350 [3.9]	13.00	15.50	76	1,600 [755]	
RCFN-H*4824(RGLE-10?BRM?)	51,500 [15.1]	38,100 [11.2]	13,400 [3.9]	13.00	16.00	76	1,600 [755]	
RCFN-H*4824(RGLE-12?ARM?)	51,500 [15.1]	38,100 [11.2]	13,400 [3.9]	13.00	16.00	76	1,600 [755]	
RCFN-H*4824(RGLT-07?BRQ?)	50,000 [14.6]	35,750 [10.5]	14,250 [4.2]	13.00	15.50	76	1,450 [684]	
RCFN-H*4824(RGLT-10?BRM?)	50,000 [14.6]	35,750 [10.5]	14,250 [4.2]	13.00	15.50	76	1,450 [684]	
RCFN-H*4824(RGLT-12?ARM?)	51,000 [14.9]	38,600 [11.3]	12,400 [3.6]	12.50	15.10	76	1,700 [802]	
RCFN-H*4824(RGPE-07?BRQ?)	51,500 [15.1]	38,150 [11.2]	13,350 [3.9]	13.00	15.50	76	1,600 [755]	
RCFN-H*4824(RGPE-10?BRM?)	51,500 [15.1]	37,750 [11.1]	13,750 [4.0]	13.00	16.00	76	1,550 [731]	

① Highest sales volume tested combination required by D.O.E. test procedures.

[ ] Designates Metric Conversions



## Performance Data @ AHRI Standard Conditions—Cooling

Model Numbers		80°F [26.5°C] DB/67°F [19.5°C] WB Indoor Air 95°F [35°C] DB Outdoor Air					Sound Rating dB	Indoor CFM [L/s]
Outdoor Unit RAPM-	Indoor Coil and/or Air Handler	Total Capacity BTU/H [kW]	Net Sensible BTU/H [kW]	Net Latent BTU/H [kW]	EER	SEER		
Rev. 6/14/12	RCFN-H*4824(RGPE-12?ARM?)	51,000 [14.9]	37,050 [10.9]	13,950 [4.1]	13.00	16.00	76	1,525 [720]
	RCFN-H*4824(RGPT-07?BRQ?)	50,500 [14.8]	36,900 [10.8]	13,600 [4.0]	13.00	16.00	76	1,550 [731]
	RCFN-H*4824(RGPT-10?BRM?)	50,000 [14.6]	35,750 [10.5]	14,250 [4.2]	13.00	15.50	76	1,450 [684]
	RCFN-H*4824(RGPT-12?ARM?)	51,000 [14.9]	38,600 [11.3]	12,400 [3.6]	12.50	15.10	76	1,700 [802]
	RCFN-H*4824(RHWP-08WRX60A)	50,500 [14.8]	36,800 [10.8]	13,700 [4.0]	13.00	16.00	76	1,450 [684]
	RCFN-H*4824(RHWP-10WRX60A)	50,500 [14.8]	37,100 [10.9]	13,400 [3.9]	13.00	16.00	76	1,500 [708]
	RCFN-H*4824(ROLA-115E05)	50,000 [14.6]	36,900 [10.8]	13,100 [3.8]	12.50	15.10	76	1,600 [755]
	RCFN-H*4824+RXMD-C04	51,000 [14.9]	37,650 [11.0]	13,350 [3.9]	12.50	15.00	76	1,600 [755]
	RBHP-24(RCHL-48A1)	47,000 [13.8]	32,000 [9.4]	15,000 [4.4]	12.50	15.00	76	1,600 [755]
	RCQD-4821(RGFE-09?ZCM?)	47,000 [13.8]	31,500 [9.2]	15,500 [4.5]	12.00	14.00	76	1,400 [661]
048JAZ	RCQD-4821(RGFG-09?ZCM?)	47,500 [13.9]	32,250 [9.4]	15,250 [4.5]	12.00	14.50	76	1,400 [661]
	RCQD-4821(RGFG-10?ZCM?)	47,500 [13.9]	32,250 [9.4]	15,250 [4.5]	12.00	14.50	76	1,400 [661]
	RCQD-4821(RGJF-09?ZCM?)	47,500 [13.9]	32,000 [9.4]	15,500 [4.5]	12.00	14.50	76	1,400 [661]
	RCQD-4821(RGJF-10?ZCM?)	47,000 [13.8]	31,500 [9.2]	15,500 [4.5]	12.00	14.00	76	1,400 [661]
	RCQD-4821(RGPE-07?BRQ?)	47,500 [13.9]	31,900 [9.3]	15,600 [4.6]	12.50	15.00	76	1,400 [661]
	RCQD-4821(RGPE-10?BRM?)	48,000 [14.1]	33,800 [9.9]	14,200 [4.2]	12.00	14.00	76	1,625 [767]
	RCQD-4821(RGPT-07?BRQ?)	48,500 [14.2]	33,850 [9.9]	14,650 [4.3]	12.50	15.10	76	1,550 [731]
	RCQD-4821(RGPT-10?BRM?)	47,500 [13.9]	32,050 [9.4]	15,450 [4.5]	12.50	15.10	76	1,425 [672]
	RCQD-4821(RGRM-09?ZAJ?)	48,000 [14.1]	35,100 [10.3]	12,900 [3.8]	12.00	14.50	76	1,400 [661]
	RCQD-4821(ROLA-070E04)	47,500 [13.9]	31,750 [9.3]	15,750 [4.6]	12.00	14.50	76	1,375 [649]
	RCQD-4821+RXMD-C04	47,500 [13.9]	33,750 [9.9]	13,750 [4.0]	11.50	14.00	76	1,600 [755]
	RCQD-4824(RGFE-09?ZCM?)	47,000 [13.8]	31,500 [9.2]	15,500 [4.5]	12.00	14.50	76	1,400 [661]
	RCQD-4824(RGFE-10?ZCM?)	47,500 [13.9]	32,200 [9.4]	15,300 [4.5]	12.00	14.50	76	1,425 [672]
	RCQD-4824(RGFE-12?RCM?)	47,500 [13.9]	32,250 [9.4]	15,250 [4.5]	12.00	14.50	76	1,450 [684]
	RCQD-4824(RGFG-09?ZCM?)	47,500 [13.9]	32,200 [9.4]	15,300 [4.5]	12.00	14.50	76	1,400 [661]
	RCQD-4824(RGFG-10?ZCM?)	47,500 [13.9]	32,200 [9.4]	15,300 [4.5]	12.00	14.50	76	1,400 [661]
	RCQD-4824(RGFG-12?RCM?)	48,000 [14.1]	32,950 [9.7]	15,050 [4.4]	12.50	15.10	76	1,450 [684]
	RCQD-4824(RGJF-09?ZCM?)	47,500 [13.9]	31,950 [9.4]	15,550 [4.6]	12.00	14.50	76	1,400 [661]
	RCQD-4824(RGJF-10?ZCM?)	47,500 [13.9]	32,000 [9.4]	15,500 [4.5]	12.00	14.50	76	1,400 [661]
	RCQD-4824(RGJF-12?RCM?)	48,500 [14.2]	34,250 [10.0]	14,250 [4.2]	12.00	14.50	76	1,575 [743]
	RCQD-4824(RGPE-07?BRQ?)	48,500 [14.2]	34,250 [10.0]	14,250 [4.2]	12.00	14.50	76	1,600 [755]
	RCQD-4824(RGPE-10?BRM?)	48,000 [14.1]	33,800 [9.9]	14,200 [4.2]	12.00	14.50	76	1,625 [767]
	RCQD-4824(RGPE-12?ARM?)	48,500 [14.2]	34,250 [10.0]	14,250 [4.2]	12.00	14.50	76	1,625 [767]
	RCQD-4824(RGPT-07?BRQ?)	48,500 [14.2]	33,800 [9.9]	14,700 [4.3]	12.50	15.10	76	1,550 [731]
	RCQD-4824(RGPT-10?BRM?)	48,000 [14.1]	32,700 [9.6]	15,300 [4.5]	12.50	15.10	76	1,450 [684]
	RCQD-4824(RGPT-12?ARM?)	48,000 [14.1]	32,300 [9.5]	15,700 [4.6]	12.50	15.10	76	1,400 [661]
	RCQD-4824(RGRM-09?ZAJ?)	48,000 [14.1]	35,350 [10.4]	12,650 [3.7]	12.00	14.50	76	1,400 [661]
	RCQD-4824(RGRM-12?RAJ?)	48,000 [14.1]	35,450 [10.4]	12,550 [3.7]	12.50	15.00	76	1,425 [672]
	RCQD-4824(RHWP-08WRX60A)	48,000 [14.1]	32,600 [9.6]	15,400 [4.5]	13.00	16.00	76	1,375 [649]
	RCQD-4824(RHWP-10WRX60A)	48,500 [14.2]	34,100 [10.0]	14,400 [4.2]	13.00	16.00	76	1,525 [720]
	RCQD-4824(ROLA-070E04)	47,500 [13.9]	31,750 [9.3]	15,750 [4.6]	12.50	15.00	76	1,375 [649]
	RCQD-4824(ROLA-115E05)	47,500 [13.9]	31,900 [9.3]	15,600 [4.6]	12.50	15.00	76	1,400 [661]
	RCQD-4824+RXMD-C04	47,500 [13.9]	33,750 [9.9]	13,750 [4.0]	11.50	14.00	76	1,600 [755]
	RHKL-HM4821(RCSL-H*4821)	47,500 [13.9]	31,950 [9.4]	15,550 [4.6]	13.00	15.50	76	1,400 [661]
	RHLL-HM4821(RCSL-H*4821)	47,500 [13.9]	31,950 [9.4]	15,550 [4.6]	13.00	16.00	76	1,400 [661]
	RHSL-HM4821(RCSL-H*4821)	47,500 [13.9]	32,950 [9.7]	14,550 [4.3]	12.00	14.50	76	1,525 [720]
	RHSL-HM4824(RCSL-H*4821)	47,500 [13.9]	32,800 [9.6]	14,700 [4.3]	12.00	14.50	76	1,500 [708]
	RHKL-HM4824(RCSL-H*4824)	48,500 [14.2]	34,050 [10.0]	14,450 [4.2]	13.00	16.00	76	1,600 [755]
	RHLL-HM4824(RCSL-H*4824)	49,000 [14.4]	34,900 [10.2]	14,100 [4.1]	13.00	16.00	76	1,625 [767]
	RHPN-HM4824(RCSN-H*4824)	52,000 [15.2]	38,400 [11.3]	13,600 [4.0]	13.00	16.00	76	1,600 [755]

① Highest sales volume tested combination required by D.O.E. test procedures.

[ ] Designates Metric Conversions



## Performance Data @ AHRI Standard Conditions—Cooling

Model Numbers		80°F [26.5°C] DB/67°F [19.5°C] WB Indoor Air 95°F [35°C] DB Outdoor Air					Sound Rating dB	Indoor CFM [L/s]
Outdoor Unit RAPM-	Indoor Coil and/or Air Handler	Total Capacity BTU/H [kW]	Net Sensible BTU/H [kW]	Net Latent BTU/H [kW]	EER	SEER		
Rev. 6/14/12 056JAZ	RCQD-6024(ROCA-070E04)	48,500 [14.2]	32,050 [9.4]	16,450 [4.8]	11.50	13.50	76	1,400 [661]
	RCQD-6024(ROLA-115E05)	49,000 [14.4]	32,400 [9.5]	16,600 [4.9]	11.50	14.00	76	1,400 [661]
	RCQD-6024+RXMD-C04	49,000 [14.4]	34,050 [10.0]	14,950 [4.4]	11.00	13.50	76	1,600 [755]
	RHKL-HM6024(RCSL-H*6024)	54,000 [15.8]	39,100 [11.5]	14,900 [4.4]	13.00	16.00	76	1,600 [755]
	RHLL-HM6024(RCSL-H*6024)	54,000 [15.8]	38,670 [11.3]	15,330 [4.5]	13.00	16.00	76	1,550 [731]
060JAZ	RCFL-H*6024+RXMD-C04 ①	60,500 [17.7]	41,500 [12.2]	19,000 [5.6]	12.00	14.50	76	1,600 [755]
	RCFL-A*6024(RGLT-10?BRM?)	61,000 [17.9]	43,000 [12.6]	18,000 [5.3]	12.00	14.50	76	1,700 [802]
	RCFL-A*6024(RGLT-12?ARM?)	61,000 [17.9]	43,000 [12.6]	18,000 [5.3]	12.00	14.50	76	1,700 [802]
	RCFL-A*6024(RGPT-07?BRQ?)	61,000 [17.9]	43,000 [12.6]	18,000 [5.3]	12.00	14.50	76	1,700 [802]
	RCFL-A*6024(RGPT-10?BRM?)	61,000 [17.9]	43,000 [12.6]	18,000 [5.3]	12.00	14.50	76	1,700 [802]
	RCFL-A*6024(RGPT-12?ARM?)	61,000 [17.9]	43,000 [12.6]	18,000 [5.3]	12.00	14.50	76	1,700 [802]
	RCFL-A*6024(RGTM-10?RBJ?)	61,000 [17.9]	42,800 [12.5]	18,200 [5.3]	12.00	14.50	76	1,675 [790]
	RCFL-A*6024+RXMD-C04	60,500 [17.7]	41,500 [12.2]	19,000 [5.6]	12.00	14.50	76	1,600 [755]
	RCFL-H*6024(RGLT-10?BRM?)	61,000 [17.9]	43,000 [12.6]	18,000 [5.3]	12.00	14.50	76	1,700 [802]
	RCFL-H*6024(RGLT-12?ARM?)	61,000 [17.9]	43,000 [12.6]	18,000 [5.3]	12.00	14.50	76	1,700 [802]
	RCFL-H*6024(RGPT-07?BRQ?)	61,000 [17.9]	43,000 [12.6]	18,000 [5.3]	12.00	14.50	76	1,700 [802]
	RCFL-H*6024(RGPT-10?BRM?)	61,000 [17.9]	43,000 [12.6]	18,000 [5.3]	12.00	14.50	76	1,700 [802]
	RCFL-H*6024(RGPT-12?ARM?)	61,000 [17.9]	43,000 [12.6]	18,000 [5.3]	12.00	14.50	76	1,700 [802]
	RCFL-H*6024(RGTM-10?RBJ?)	61,000 [17.9]	42,800 [12.5]	18,200 [5.3]	12.00	14.50	76	1,675 [790]
	RBHP-25(RCHL-60A1)	54,000 [15.8]	35,850 [10.5]	18,150 [5.3]	11.50	13.50	76	1,800 [849]
	RBHM-26J(RCQD-6024)	60,000 [17.6]	42,500 [12.5]	17,500 [5.1]	12.50	15.00	76	1,700 [802]
	RCQD-6024(RGPE-10?BRM?)	59,000 [17.3]	40,500 [11.9]	18,500 [5.4]	11.50	14.00	76	1,625 [767]
	RCQD-6024(RGPE-12?ARM?)	59,000 [17.3]	40,500 [11.9]	18,500 [5.4]	11.50	14.00	76	1,625 [767]
	RCQD-6024(RGPT-07?BRQ?)	59,500 [17.4]	42,000 [12.3]	17,500 [5.1]	11.50	14.00	76	1,725 [814]
	RCQD-6024(RGPT-10?BRM?)	59,500 [17.4]	42,000 [12.3]	17,500 [5.1]	11.50	14.00	76	1,725 [814]
	RCQD-6024(RGPT-12?ARM?)	59,500 [17.4]	42,000 [12.3]	17,500 [5.1]	11.50	14.00	76	1,725 [814]
	RCQD-6024(RGTM-10?RBJ?)	59,000 [17.3]	41,500 [12.2]	17,500 [5.1]	11.50	14.00	76	1,675 [790]
	RCQD-6024+RXMD-C04	58,500 [17.1]	40,000 [11.7]	18,500 [5.4]	11.50	13.50	76	1,600 [755]
	RHKL-HM6024(RCSL-H*6024)	62,000 [18.2]	45,000 [13.2]	17,000 [5.0]	12.50	15.00	76	1,800 [849]
	RHLL-HM6024(RCSL-H*6024)	62,000 [18.2]	45,000 [13.2]	17,000 [5.0]	12.50	15.00	76	1,800 [849]
RHSL-HM6024(RCSL-H*6024)	60,500 [17.7]	43,500 [12.7]	17,000 [5.0]	11.50	13.50	76	1,800 [849]	

① Highest sales volume tested combination required by D.O.E. test procedures.

[ ] Designates Metric Conversions

## Electrical and Physical Data

Model Number RAPM-	ELECTRICAL							PHYSICAL						
	Phase Frequency (Hz) Voltage (Volts)	Compressor		Fan Motor Full Load Amperes (FLA)	Minimum Circuit Capacity Amperes	Fuse or HACR Circuit Breaker		Outdoor Coil			Refrig. Per Circuit Oz. [g]	Weight		
		Rated Load Amperes (RLA)	Locked Rotor Amperes (LRA)			Minimum Amperes	Maximum Amperes	Face Area Sq. Ft. [m <sup>2</sup> ]	No. Rows	CFM [L/s]		Net Lbs. [kg]	Shipping Lbs. [kg]	
Rev. 6/14/2012														
018JAZ	1-60-208/230	9/9	48	1.9	14/14	20/20	20/20	11 [1.02]	1	1955 [923]	82 [2325]	138.5 [62.8]	160.5 [62.8]	
024JAZ	1-60-208/230	13.5/13.5	58.3	1.1	18/18	25/25	30/30	20 [1.86]	1	3295 [1555]	128 [3629]	192.5 [87.3]	214.5 [87.3]	
030JAZ	1-60-208/230	12.8/12.8	64	1.9	18/18	25/25	30/30	20 [1.86]	1	3645 [1720]	129 [3657]	193 [87.5]	214 [87.5]	
036JAZ	1-60-208/230	16/16	79	1.9	22/22	30/30	35/35	23.01 [2.14]	1	3680 [1737]	146 [4139]	197.5 [89.6]	227 [89.6]	
042JAZ	1-60-208/230	17.9/17.9	112	2.8	26/26	30/30	40/40	23.01 [2.14]	1	3925 [1852]	152 [4309]	223 [101.2]	256 [101.2]	
048JAZ	1-60-208/230	21.8/21.8	117	2.8	31/31	40/40	50/50	23.01 [2.14]	2	3685 [1739]	203 [5755]	264 [119.8]	298 [119.8]	
056JAZ	1-60-208/230	21.4/21.4	135	2.8	30/30	35/35	50/50	23 [2.14]	2	4350 [2053]	255 [7229]	269.5 [122.2]	306.5 [122.2]	
060JAZ	1-60-208/230	26.4/26.4	134	2.8	36/36	45/45	60/60	23 [2.14]	2	4350 [2053]	262 [7428]	269.5 [122.2]	306.5 [122.2]	

NOTE: Factory Refrigerant Charge includes refrigerant for 15 feet of standard line set.

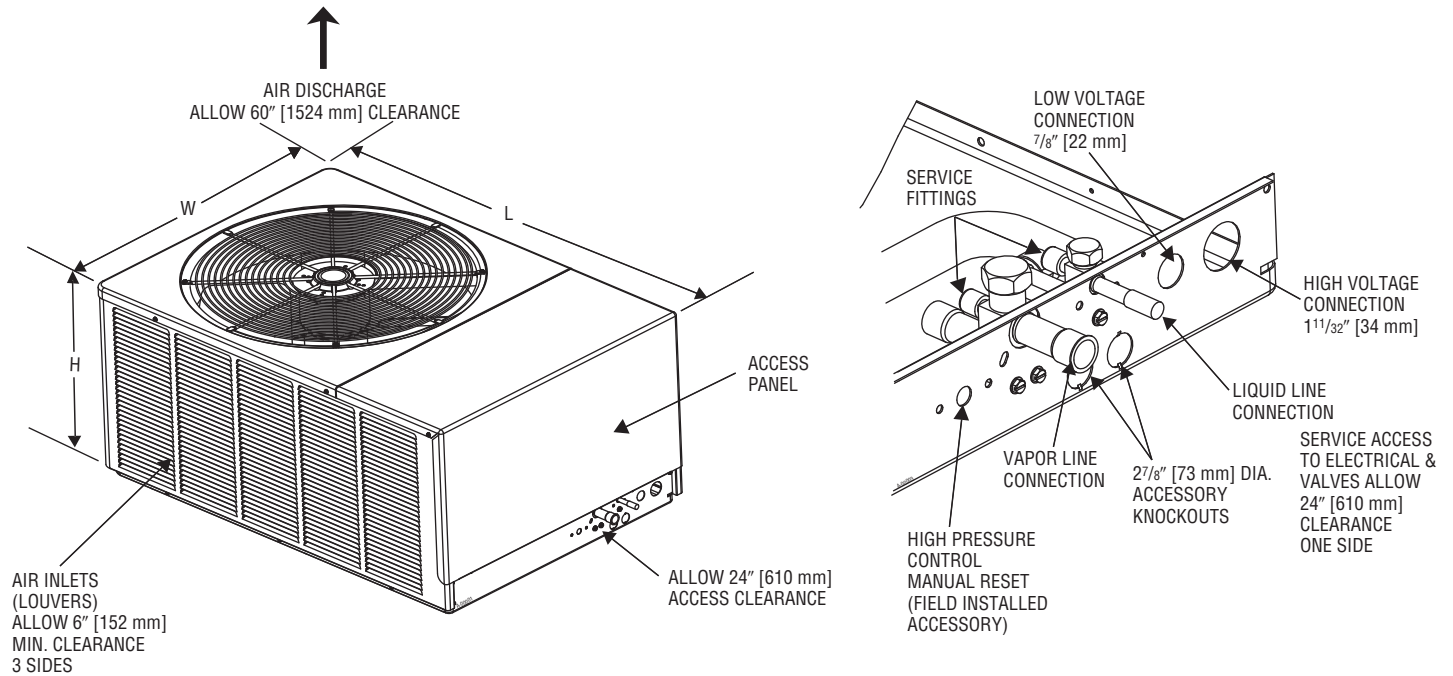
[ ] Designates Metric Conversions



## Unit Dimensions

Model Number RAPM-	Height "H" (Inches) [mm]	Length "L" (Inches) [mm]	Width "W" (Inches) [mm]
018	19 [483]	40 <sup>1</sup> / <sub>2</sub> [1029]	27 <sup>5</sup> / <sub>8</sub> [702]
024/030	29 [737]	44 <sup>3</sup> / <sub>8</sub> [1127]	31 <sup>1</sup> / <sub>2</sub> [800]
036/042/ 048/056/060	33 [838]	44 <sup>3</sup> / <sub>8</sub> [1127]	31 <sup>1</sup> / <sub>2</sub> [800]

[ ] Designates Metric Conversions



## Condensing Unit Refrigerant Line Size Information

Liquid Line Sizing (R-410A)														
System Capacity	Line Size Connection (Inch I.D.)	Line Size (Inch O.D.) [mm]	Liquid Line Size – Outdoor Unit Above Indoor Coil (Cooling Only – Does not apply to Heat Pumps)						Liquid Line Size – Outdoor Unit Below Indoor Coil					
			Total Equivalent Length—Feet [m]						Total Equivalent Length—Feet [m]					
			25 [7.62]	50 [15.24]	75 [22.86]	100 [30.48]	125 [38.10]	150 [45.72]	25 [7.62]	50 [15.24]	75 [22.86]	100 [30.48]	125 [38.10]	150 [45.72]
			Minimum Vertical Separation—Feet [m]						Maximum Vertical Separation—Feet [m]					
1 1/2 Ton	3/8"	1/4 [6.35]	0	0	0	0	8 [2.44]	24 [7.32]	25 [7.62]	40 [12.19]	25 [7.62]	9 [2.74]	N/A	N/A
		5/16 [7.94]	0	0	0	0	0	0	25 [7.62]	50 [15.24]	62 [18.90]	58 [17.68]	53 [16.15]	49 [14.94]
		3/8* [9.53]	0	0	0	0	0	0	25 [7.62]	50 [15.24]	75 [22.86]	72 [21.95]	70 [21.34]	68 [20.73]
2 Ton	3/8"	1/4 [6.35]	0	3 [0.91]	29 [8.84]	55 [16.76]	81 [24.69]	108 [32.92]	23 [7.01]	N/A	N/A	N/A	N/A	N/A
		5/16 [7.94]	0	0	0	0	0	0	25 [7.62]	36 [10.97]	29 [8.84]	23 [7.01]	16 [4.88]	9 [2.74]
		3/8* [9.53]	0	0	0	0	0	0	25 [7.62]	50 [15.24]	72 [21.95]	70 [21.34]	68 [20.73]	65 [19.81]
2 1/2 Ton	3/8"	1/4 [6.35]	0	14 [4.27]	56 [17.07]	98 [29.87]	N/A	N/A	25 [7.62]	N/A	N/A	N/A	N/A	N/A
		5/16 [7.94]	0	0	0	0	0	0	25 [7.62]	49 [14.94]	38 [11.58]	27 [8.23]	17 [5.18]	6 [1.83]
		3/8* [9.53]	0	0	0	0	0	0	25 [7.62]	50 [15.24]	68 [20.73]	65 [19.81]	62 [18.90]	58 [17.68]
3 Ton	3/8"	5/16 [7.94]	0	0	0	0	0	9 [2.74]	25 [7.62]	50 [15.24]	37 [11.28]	22 [6.71]	7 [2.13]	N/A
		3/8* [9.53]	0	0	0	0	0	0	25 [7.62]	50 [15.24]	68 [20.73]	63 [19.20]	58 [17.68]	53 [16.15]
3 1/2 Ton	3/8"	5/16 [7.94]	0	0	0	16 [4.88]	35 [10.67]	54 [16.46]	25 [7.62]	23 [7.01]	4 [1.22]	N/A	N/A	N/A
		3/8* [9.53]	0	0	0	0	0	0	25 [7.62]	50 [15.24]	43 [13.11]	36 [10.97]	30 [9.14]	24 [7.32]
4 Ton	3/8"	3/8* [9.53]	0	0	0	0	0	0	25 [7.62]	46 [14.02]	38 [11.58]	30 [9.14]	22 [6.71]	15 [4.57]
		1/2 [12.57]	0	0	0	0	0	0	25 [7.62]	50 [15.24]	56 [17.07]	55 [16.76]	53 [16.15]	52 [15.85]
5 Ton	3/8"	3/8* [9.53]	0	0	0	0	0	0	25 [7.62]	50 [15.24]	56 [17.07]	44 [13.41]	32 [9.75]	20 [6.10]
		1/2 [12.57]	0	0	0	0	0	0	25 [7.62]	50 [15.24]	75 [22.86]	81 [24.69]	79 [24.08]	76 [23.16]

NOTES: \*Standard line size  
N/A = Application not recommended.

Suction Line Length/Size versus Capacity Multiplier (R-410A)									
Unit Size	1 1/2 Ton	2 Ton	2 1/2 Ton		3 Ton	3 1/2 Ton	4 Ton	5 Ton	
Suction Line Connection Size	3/4" [19.05 mm] I.D.				7/8" [22.23 mm] I.D.				
Suction Line Run—Feet [m]	5/8" [15.88 mm] O.D. Opt. 3/4" [19.05 mm] O.D. Std.*	5/8" [15.88 mm] O.D. Opt. 3/4" [19.05 mm] O.D. Std.* 7/8" [22.23 mm] O.D. Opt.	3/4" [19.05 mm] O.D. Opt. 7/8" [22.23 mm] O.D. Std.*		7/8" [22.23 mm] O.D. Opt. 1 1/8" [28.58 mm] O.D. Std.*				
25' [7.62]	Optional	1.00	1.00	1.00		1.00	1.00	1.00	1.00
	Standard	1.00	1.00	1.00		1.00	1.00	1.00	1.00
	Optional	N/A	N/A	1.00		N/A	N/A	N/A	N/A
50' [15.24]	Optional	.98	.98	.96		.98	.99	.99	.99
	Standard	.99	.99	.98		.99	.99	.99	.99
	Optional	N/A	N/A	.99		N/A	N/A	N/A	N/A
100' [30.48]	Optional	.95	.95	.94		.96	.96	.96	.97
	Standard	.96	.96	.96		.97	.98	.98	.98
	Optional	N/A	N/A	.97		N/A	N/A	N/A	N/A
150' [45.72]	Optional	.92	.92	.91		.94	.94	.95	.94
	Standard	.93	.94	.93		.95	.96	.96	.97
	Optional	N/A	N/A	.95		N/A	N/A	N/A	N/A

NOTES: \*Standard line size  
Using suction line larger than shown in chart will result in poor oil return and is not recommended.

[ ] Designates Metric Conversions

**GENERAL TERMS OF LIMITED WARRANTY\***

Rheem will furnish a replacement for any part of this product which fails in normal use and service within the applicable period stated, in accordance with the terms of the limited warranty.

**\*For complete details of the Limited and Conditional Warranties, including applicable terms and conditions, contact your local contractor or the Manufacturer for a copy of the product warranty certificate.**

Conditional Parts  
(Registration Required) .....Ten (10) Years



The new degree of comfort.™

*In keeping with its policy of continuous progress and product improvement, Rheem reserves the right to make changes without notice.*

Rheem Heating, Cooling & Water Heating • P.O. Box 17010  
Fort Smith, Arkansas 72917 • [www.rheem.com](http://www.rheem.com)

Rheem Canada Ltd./Ltée • 125 Edgeware Road, Unit 1  
Brampton, Ontario • L6Y 0P5



INTEGRATED HOME COMFORT

PRINTED IN U.S.A 06/12 QG FORM NO. A11-217