



RAPL

Parts List
01-November-2011



*This parts list is current as of the above revision date.
See <http://www.rheempartslists.net/92-42800-RAPL.pdf> for the current revision.*

Condensing Units

Table of Contents

Model Explanation	Page 3
Parts Numbers	
Panels - Miscellaneous.....	Page 4
Electrical Group.....	Page 5
Fan Group	Page 6
Coil Parts	Page 7
Compressor Group.....	Page 8
Accessories.....	Page 9
Drawings/Photographs	
Exploded View	Page 10
Control Box Assembly (JAZ).....	Page 11
Control Box Assembly (JEZ).....	Page 12
Notes/Disclaimer	Page 13

MODEL NUMBER EXPLANATION

R	A	P	L	-	0	1	8	J	A	Z
(1)	(2)	(3)	(4)		(5)			(6)	(7)	(8)

- | | |
|--|--|
| <p>(1) TRADEBRAND IDENTIFICATION</p> <p>(2) MODEL
A= CONDENSING UNIT</p> <p>(3) TYPE
P= 14 SEER</p> <p>(4) DESIGN SERIES / VARIATION
L= R-410A</p> <p>(5) COOLING CAPACITY
018= 18,000 BTU/HR
024= 24,000 BTU/HR
030= 30,000 BTU/HR
036= 36,000 BTU/HR
042= 42,000 BTU/HR
048= 48,000 BTU/HR
060= 60,000 BTU/HR</p> | <p>(6) ELECTRICAL DESIGNATION
J= 208-230/1/60</p> <p>(7) VARIATIONS
A= FULL FEATURED
E= ELECTRONIC</p> <p>(8) COMPRESSOR
Z= SWEAT W/ SCROLL</p> |
|--|--|

SERIAL NUMBER EXPLANATION

7	7	0	7	M	2	7	0	4	9	9	9	9	9
(1)				(2)	(3)		(4)		(5)				

- (1) COMPRESSOR IDENTIFICATION NUMBER**
- (2) PRODUCTION LOCATION**
M = Milledgeville, GA
- (3) WEEK OF PRODUCTION**
- (4) YEAR OF PRODUCTION**
- (5) PRODUCTION NUMBER**

No.	Notes	MODEL COOLING CAPACITY	RAPL -018	RAPL -024	RAPL -030	RAPL -036
SHEET METAL PARTS, MISCELLANEOUS						
1		Base Pan	AE-58426-02	AE-58426-03	AE-58426-03	AE-58426-03
2		Button Plug	45-22980-07	45-22980-07	45-22980-07	45-22980-07
3		Cabinet	AE-100609-03	AE-100609-05	AE-100609-08	AE-100609-07
4		Top Panel	AE-100618-02	AE-100618-05	AE-100618-05	AE-100618-05
5		Grille	95-100906-02	95-100906-04	95-100906-04	95-100906-04
6		Control Box - All models except JEZ	AE-100633-01	AE-100633-01	AE-100633-01	AE-100633-01
6	1	Control Box - JEZ Models - See Note 1	10-102307-01	10-102307-01	10-102307-01	10-102307-01
6a		Capacitor Adapter Plate (2 in. round capacitor)	AE-54609-01	AE-54609-01	AE-54609-01	AE-54609-01
6a		Capacitor Adapter Plate (2 in. X 1-1/4 in. oval capacitor)	AE-54609-02	AE-54609-02	AE-54609-02	AE-54609-02
6b		Capacitor Strap - Start Capacitor	AE-50892-51	AE-50892-51	AE-50892-51	AE-50892-51
7		Access Panel	AE-100617-03	AE-100617-05	AE-100617-08	AE-100617-07
8		Service Valve - Suction	61-21368-15	61-21368-15	61-21368-15	61-101160-21
9		Service Valve - Liquid	61-101160-13	61-101160-13	61-101160-13	61-101160-13
		Touch-up Paint (Aerosol)	52-18662-48	52-18662-48	52-18662-48	52-18662-48
		Touch-up Paint (Paint Pens)	523010	523010	523010	523010

No.	Notes	MODEL COOLING CAPACITY	RAPL -042	RAPL -048	RAPL -060	
SHEET METAL PARTS, MISCELLANEOUS						
1		Base Pan	AE-58426-03	AE-58426-03	AE-58426-03	
2		Button Plug	45-22980-07	45-22980-07	45-22980-07	
3		Cabinet	AE-100609-07	AE-100609-07	AE-100609-07	
4		Top Panel	AE-100618-05	AE-100618-05	AE-100618-05	
5		Grille	95-100906-04	95-100906-04	95-100906-04	
6		Control Box - All models except JEZ	AE-100633-01	AE-100633-01	AE-100633-01	
6	1	Control Box - JEZ Models - See Note 1	10-102307-01	10-102307-01	10-102307-01	
6a		Capacitor Adapter Plate (2 in. round capacitor)	AE-54609-01	AE-54609-01	AE-54609-01	
6a		Capacitor Adapter Plate (2 in. X 1-1/4 in. oval capacitor)	AE-54609-02	AE-54609-02	AE-54609-02	
6b		Capacitor Strap - Start Capacitor	AE-50892-51	AE-50892-51	AE-50892-51	
7		Access Panel	AE-100617-07	AE-100617-07	AE-100617-07	
8		Service Valve - Suction	61-21368-16	61-21368-16	61-21368-16	
9		Service Valve - Liquid	61-101160-13	61-101160-13	61-101160-13	
		Touch-up Paint (Aerosol)	52-18662-48	52-18662-48	52-18662-48	
		Touch-up Paint (Paint Pens)	523010	523010	523010	

No.	Notes	MODEL COOLING CAPACITY ELECTRICAL DESIGNATION	RAPL -018 JAZ	RAPL -024 JAZ	RAPL -030 JAZ	RAPL -036 JAZ
ELECTRICAL GROUP						
CONTROL BOX COMPONENTS:						
10	Stk	Contactator	42-42139-05	42-42139-05	42-42139-05	42-42139-05
11		Capacitor - Fan Motor/Compressor	See Compressor Group			
12		Start Relay	See Compressor Group			
13		Capacitor - Compressor Start	See Compressor Group			
		High/Low Pressure Controls	See Coil Group			

No.	Notes	MODEL COOLING CAPACITY ELECTRICAL DESIGNATION	RAPL -018 JEZ	RAPL -024 JEZ	RAPL -030 JEZ	RAPL -036 JEZ
ELECTRICAL GROUP						
CONTROL BOX COMPONENTS:						
11		Capacitor - Fan Motor/Compressor	See Compressor Group			
12		Start Relay	See Compressor Group			
13		Capacitor - Compressor Start	See Compressor Group			
14	Stk	Control Board	47-102090-01	47-102090-01	47-102090-01	47-102090-01
		High/Low Pressure Controls	See Coil Group			
		Wiring Harness - Fan Motor	See Fan Group			
		Wiring Harnesses	See Note 1			

No.	Notes	MODEL COOLING CAPACITY ELECTRICAL DESIGNATION	RAPL -042 JAZ	RAPL -048 JAZ	RAPL -060 JAZ	
ELECTRICAL GROUP						
CONTROL BOX COMPONENTS:						
10	Stk	Contactator	42-42139-05	42-42139-05	42-42478-02	
11		Capacitor - Fan Motor/Compressor	See Compressor Group			
12		Start Relay	See Compressor Group			
13		Capacitor - Compressor Start	See Compressor Group			
		High/Low Pressure Controls	See Coil Group			

No.	Notes	MODEL COOLING CAPACITY ELECTRICAL DESIGNATION	RAPL -042 JEZ	RAPL -048 JEZ	RAPL -060 JEZ	
ELECTRICAL GROUP						
CONTROL BOX COMPONENTS:						
11		Capacitor - Fan Motor/Compressor	See Compressor Group			
12		Start Relay	See Compressor Group			
13		Capacitor - Compressor Start	See Compressor Group			
14	Stk	Control Board	47-102090-01	47-102090-01	47-102090-01	
		High/Low Pressure Controls	See Coil Group			
		Wiring Harness - Fan Motor	See Fan Group			
		Wiring Harnesses	See Note 1			

No.	Notes	MODEL COOLING CAPACITY ELECTRICAL DESIGNATION	RAPL -018 J	RAPL -024 J	RAPL -030 J	RAPL -036 J
FAN GROUP						
15	Stk	Fan Motor	51-101774-04	51-101774-02	51-102008-07	51-102008-07
11		Capacitor - Fan Motor	See Compressor Group			
16	Stk	Fan Blade	70-102011-06	70-102011-09	70-102011-10	70-102011-10
	Stk,1	Wiring Harness - Fan Motor (JEZ Models) - See Note 1	45-102120-01	45-102120-01	45-102120-01	45-102120-01

No.	Notes	MODEL COOLING CAPACITY ELECTRICAL DESIGNATION	RAPL -042 J	RAPL -048 J	RAPL -060 J	
FAN GROUP						
15	Stk	Fan Motor	51-102008-07	51-102008-07	51-102008-07	
11		Capacitor - Fan Motor	See Compressor Group			
16	Stk	Fan Blade	70-100580-04	70-100580-04	70-100580-04	
	Stk,1	Wiring Harness - Fan Motor (JEZ Models) - See Note 1	45-102120-01	45-102120-01	45-102120-01	

No.	Notes	MODEL COOLING CAPACITY ELECTRICAL DESIGNATION	RAPL -018 JAZ	RAPL -024 JAZ	RAPL -030 JAZ	RAPL -036 JAZ
COIL GROUP						
17	Stk	Condenser Coil	AS-102135-03	AS-100420-03	AS-102432-03	AS-101959-03
	Stk	Filter Drier	83-26186-01	83-22755-05	83-26186-01	83-22755-05
	Stk	High Pressure Control	47-26184-01	47-26184-01	47-26184-01	47-26184-01
	Stk	Low Pressure Control (90 Deg Elbow with 5/16 inch connection) - before W0311	47-26185-02	47-26185-02	47-26185-02	47-26185-02
	Stk	Low Pressure Control (90 Deg Elbow with 1/4 inch connection) - after W0311	47-103670-01	47-103670-01	47-103670-01	47-103670-01

No.	Notes	MODEL COOLING CAPACITY ELECTRICAL DESIGNATION	RAPL -018 JEZ	RAPL -024 JEZ	RAPL -030 JEZ	RAPL -036 JEZ
COIL GROUP						
17	Stk	Condenser Coil	AS-102135-03	AS-100420-03	AS-102432-03	AS-101959-03
	Stk	Filter Drier	83-26186-01	83-22755-05	83-26186-01	83-22755-05
	Stk	High Pressure Control	47-26184-01	47-26184-01	47-26184-01	47-26184-01
	Stk	Low Pressure Control (90 Deg Elbow with 5/16 inch connection) - before W3210	47-101529-04	47-101529-04	47-101529-04	47-101529-04
	Stk	Low Pressure Control (90 Deg Elbow with 1/4 inch connection) - after W3210	47-103670-02	47-103670-02	47-103670-02	47-103670-02

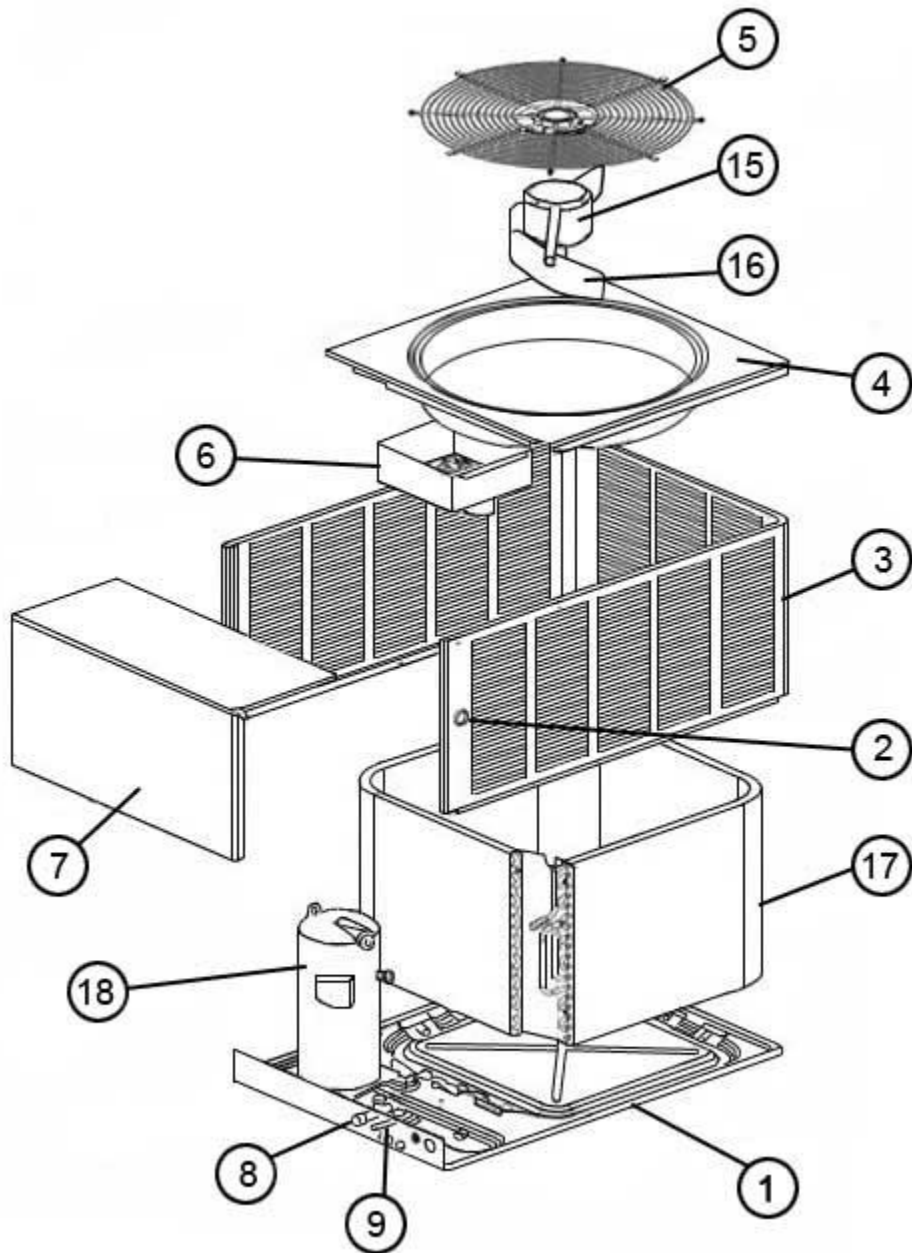
No.	Notes	MODEL COOLING CAPACITY ELECTRICAL DESIGNATION	RAPL -042 JAZ	RAPL -048 JAZ	RAPL -060 JAZ	
COIL GROUP						
17	Stk	Condenser Coil	AS-101959-03	AS-101959-03	AS-90900-06	
	Stk	Filter Drier	83-22755-05	83-22755-05	83-22755-05	
	Stk	High Pressure Control	47-26184-01	47-26184-01	47-26184-01	
	Stk	Low Pressure Control (90 Deg Elbow with 5/16 inch connection) - before W0311	47-26185-02	47-26185-02	47-26185-02	
	Stk	Low Pressure Control (90 Deg Elbow with 1/4 inch connection) - after W0311	47-103670-01	47-103670-01	47-103670-01	

No.	Notes	MODEL COOLING CAPACITY ELECTRICAL DESIGNATION	RAPL -042 JEZ	RAPL -048 JEZ	RAPL -060 JEZ	
COIL GROUP						
17	Stk	Condenser Coil	AS-101959-03	AS-101959-03	AS-90900-06	
	Stk	Filter Drier	83-22755-05	83-22755-05	83-22755-05	
	Stk	High Pressure Control	47-26184-01	47-26184-01	47-26184-01	
	Stk	Low Pressure Control (90 Deg Elbow with 5/16 inch connection) - before W3210	47-101529-04	47-101529-04	47-101529-04	
	Stk	Low Pressure Control (90 Deg Elbow with 1/4 inch connection) - after W3210	47-103670-02	47-103670-02	47-103670-02	

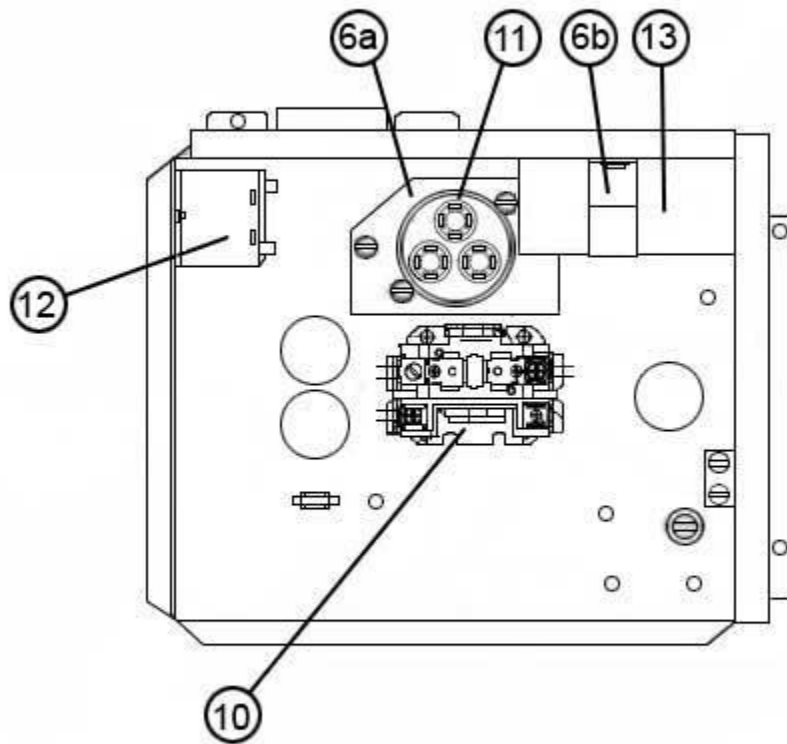
No.	Notes	MODEL COOLING CAPACITY ELECTRICAL DESIGNATION	RAPL -018 J	RAPL -024 J	RAPL -030 J	RAPL -036 J
COMPRESSOR GROUP						
		Compressor ID:	7707	7708	7709	7710
18	Stk	Compressor	55-102045-14S	55-102045-24S	55-102045-31S	55-102045-03S
	Stk	Compressor Wiring Harness (Molded Plug) - All models except JEZ	45-100834-80	45-100834-80	45-100834-80	45-100834-80
	Stk,1	Compressor Wiring Harness (Molded Plug) - JEZ - See Note 1	45-100834-08	45-100834-08	45-100834-08	45-100834-08
11	Stk	Capacitor - Compressor/Fan	43-26261-40	43-26261-44	43-26261-46	43-26261-48
12	Stk	Start Relay	42-100491-09	42-100491-09	42-100491-09	42-100491-09
13	Stk	Start Capacitor	43-17075-04	43-17075-04	43-17075-04	43-17075-04

No.	Notes	MODEL COOLING CAPACITY ELECTRICAL DESIGNATION	RAPL -042 J	RAPL -048 J	RAPL -060 J	
COMPRESSOR GROUP						
		Compressor ID:	7711	7712	7713	
18	Stk	Compressor	55-102045-12S	55-102045-09S	55-102045-26S	
	Stk	Compressor Wiring Harness (Molded Plug) - All models except JEZ	45-100834-80	45-100834-80	45-100834-80	
	Stk,1	Compressor Wiring Harness (Molded Plug) - JEZ - See Note 1	45-100834-08	45-100834-08	45-100834-08	
11	Stk	Capacitor - Compressor/Fan	43-26261-48	43-26261-47	43-26261-47	
12	Stk	Start Relay	42-100491-09	42-100491-09	42-100491-09	
13	Stk	Start Capacitor	43-17075-04	43-17075-04	43-17075-04	

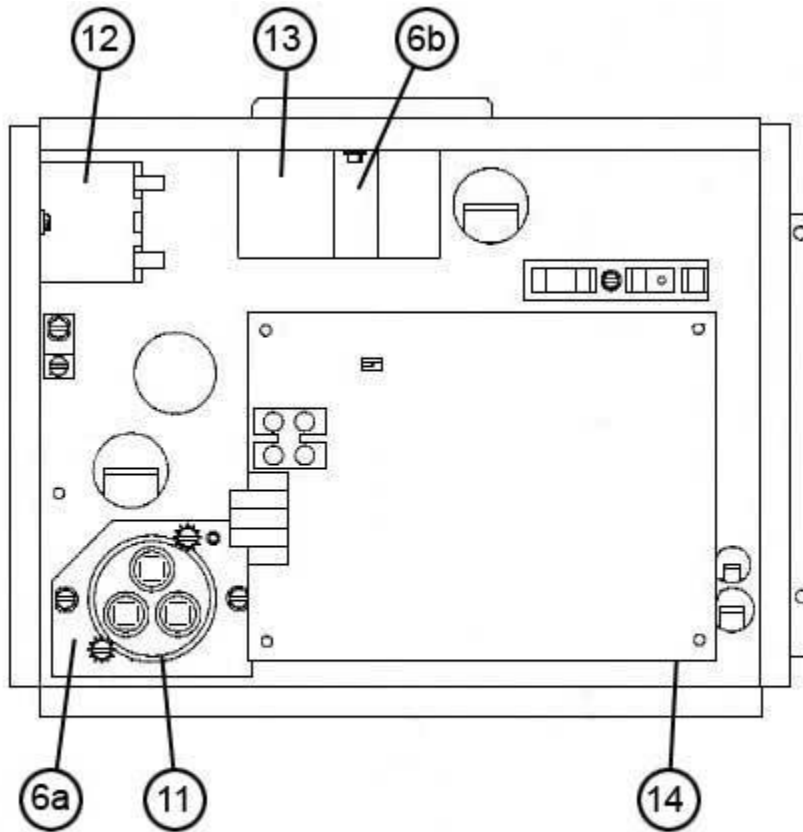
No.	Notes	MODEL VARIATIONS	RAPL ALL
ACCESSORIES			
		Low Ambient Control	RXAD-A07
		Compressor Time Delay	RXMD-B01



Exploded View



Control Box Assembly (JAZ)



Control Box Assembly (JEZ)

NOTES

Stk It is recommended that stock be maintained for this part.

N/A Not Applicable

- 1 Wiring Harnesses not listed individually are included with the JEZ model Control Box (item 6).

DISCLAIMER: This document is intended to provide general replacement parts information to aid qualified service personnel in the repair of these models. The complete Model and Serial Number of the unit under repair should be specified when selecting and ordering replacement parts. Specifications and illustrations are subject to change without notice. Document 92-42800-RAPL supersedes all previous parts lists for these models. See <http://www.rheempartslists.net/92-42800-RAPL> for the latest revision of this document. The manufacturer assumes no obligation for errors or omissions. Service personnel must verify the proper and safe operation of equipment after the replacement of any original components.