



RAND

Parts List
22-July-2011



*This parts list is current as of the above revision date.
See <http://www.rheempartslists.net/92-42800-RAND.pdf> for the current revision.*

Condensing Units

Table of Contents

Model Explanation	Page 3
Parts Numbers	
Panels - Miscellaneous.....	Page 4
Electrical Group (J Voltage)	Page 5
Electrical Group (C D Y Voltages)	Page 6
Fan Group	Page 7
Coil Parts	Page 8
Compressor Group 018-042.....	Page 9
Compressor Group 048-060.....	Page 10
Accessories.....	Page 11
Drawings/Photographs	
Exploded View	Page 12
Control Box Assembly (JAZ JBZ CAZ DAZ YAZ).....	Page 13
Control Box Assembly (JEZ).....	Page 14
Notes/Disclaimer	Page 15

MODEL NUMBER EXPLANATION

R	A	N	D	-	0	1	8	J	A	Z
(1)	(2)	(3)	(4)		(5)			(6)	(7)	(8)

- | | |
|---|---|
| <p>(1) TRADEBRAND IDENTIFICATION</p> <p>(2) MODEL
A= CONDENSING UNIT</p> <p>(3) TYPE
N= HIGH EFFICIENCY</p> <p>(4) DESIGN SERIES / VARIATION
D= FOURTH DESIGN</p> <p>(5) COOLING CAPACITY
018= 18,000 BTU/HR
024= 24,000 BTU/HR
030= 30,000 BTU/HR
036= 36,000 BTU/HR
042= 42,000 BTU/HR
048= 48,000 BTU/HR
060= 60,000 BTU/HR</p> | <p>(6) ELECTRICAL DESIGNATION
C= 208-230/3/60
D= 460/3/60
J= 208-230/1/60
Y= 575/3/60</p> <p>(7) VARIATIONS
A= FULL FEATURED
B= COMPETITIVE
E= ELECTRONIC</p> <p>(8) COMPRESSOR
Z= SWEAT W/ SCROLL</p> |
|---|---|

SERIAL NUMBER EXPLANATION

6	7	6	1	M	2	7	0	4	9	9	9	9	9
(1)				(2)	(3)		(4)		(5)				

- (1) COMPRESSOR IDENTIFICATION NUMBER**
- (2) PRODUCTION LOCATION**
F = Fort Smith, AR
M = Milledgeville, GA
- (3) WEEK OF PRODUCTION**
- (4) YEAR OF PRODUCTION**
- (5) PRODUCTION NUMBER**

No.	Notes	MODEL COOLING CAPACITY	RAND -018	RAND -024	RAND -030	RAND -036
SHEET METAL PARTS, MISCELLANEOUS						
1		Base Pan	AE-58426-01	AE-58426-02	AE-58426-03	AE-58426-03
2		Button Plug	45-22980-07	45-22980-07	45-22980-07	45-22980-07
3		Cabinet	AE-100609-02	AE-100609-03	AE-100609-04	AE-100609-06
4		Top Panel - Before approximately F1706 or M2606	AE-100618-01	AE-100618-02	AE-100618-04	AE-100618-05
4		Top Panel - After approximately F1706 or M2606	AE-100618-01	AE-100618-03	AE-100618-05	AE-100618-05
5		Grille - Before approximately F1706 or M2606	95-100906-01	95-100906-02	95-100906-03	95-100906-04
5		Grille - After approximately F1706 or M2606	95-100906-01	95-100906-03	95-100906-04	95-100906-04
6		Control Box - All models except JEZ	AE-100633-01	AE-100633-01	AE-100633-01	AE-100633-01
6	3	Control Box w/Wiring Harnesses (JEZ Models) - See Note 3	N/A	10-102307-01	10-102307-01	10-102307-01
6a		Capacitor Adapter Plate (2 in. round capacitor)	AE-54609-01	AE-54609-01	AE-54609-01	AE-54609-01
6a		Capacitor Adapter Plate (2 in. X 1-1/4 in. oval capacitor)	AE-54609-02	AE-54609-02	AE-54609-02	AE-54609-02
6b		Capacitor Strap - Start Capacitor	AE-50892-51	AE-50892-51	AE-50892-51	AE-50892-51
7		Access Panel	AE-100617-02	AE-100617-03	AE-100617-04	AE-100617-06
8		Service Valve - Suction	61-21368-15	61-21368-15	61-21368-15	61-101160-21
9		Service Valve - Liquid	61-101160-13	61-101160-13	61-101160-13	61-101160-13
		Touch-up Paint (Aerosol)	52-18662-48	52-18662-48	52-18662-48	52-18662-48
		Touch-up Paint (Paint Pens)	523010	523010	523010	523010

No.	Notes	MODEL COOLING CAPACITY	RAND -042	RAND -048	RAND -060	
SHEET METAL PARTS, MISCELLANEOUS						
1		Base Pan	AE-58426-03	AE-58426-03	AE-58426-03	
2		Button Plug	45-22980-07	45-22980-07	45-22980-07	
3		Cabinet	AE-100609-06	AE-100609-07	AE-100609-07	
4		Top Panel	AE-100618-05	AE-100618-05	AE-100618-05	
5		Grille	95-100906-04	95-100906-04	95-100906-04	
6		Control Box - All models except JEZ	AE-100633-01	AE-100633-01	AE-100633-01	
6	3	Control Box w/Wiring Harnesses (JEZ Models) - See Note 3	10-102307-01	10-102307-01	10-102307-01	
6a		Capacitor Adapter Plate (2 in. round capacitor)	AE-54609-01	AE-54609-01	AE-54609-01	
6a		Capacitor Adapter Plate (2 in. X 1-1/4 in. oval capacitor)	AE-54609-02	AE-54609-02	AE-54609-02	
6b		Capacitor Strap - Start Capacitor	AE-50892-51	AE-50892-51	AE-50892-51	
7		Access Panel	AE-100617-06	AE-100617-07	AE-100617-07	
8		Service Valve - Suction	61-21368-16	61-21368-16	61-21368-16	
9		Service Valve - Liquid	61-101160-13	61-101160-13	61-101160-13	
		Touch-up Paint (Aerosol)	52-18662-48	52-18662-48	52-18662-48	
		Touch-up Paint (Paint Pens)	523010	523010	523010	

No.	Notes	MODEL COOLING CAPACITY ELECTRICAL DESIGNATION	RAND -018 JAZ/JBZ	RAND -024 JAZ/JBZ	RAND -030 JAZ/JBZ	RAND -036 JAZ/JBZ
ELECTRICAL GROUP						
CONTROL BOX COMPONENTS:						
10	Stk	Contactactor	42-42139-05	42-42139-05	42-42139-05	42-42139-05
11		Capacitor - Fan Motor/Compressor	See Compressor Group			
12		Start Relay	See Compressor Group			
13		Capacitor - Compressor Start	See Compressor Group			
		High/Low Pressure Controls	See Coil Group			

No.	Notes	MODEL COOLING CAPACITY ELECTRICAL DESIGNATION	RAND -042 JAZ/JBZ	RAND -048 JAZ/JBZ	RAND -060 JAZ/JBZ
ELECTRICAL GROUP					
CONTROL BOX COMPONENTS:					
10	Stk	Contactactor	42-42728-03	42-42478-02	42-42478-02
11		Capacitor - Fan Motor/Compressor	See Compressor Group		
12		Start Relay	See Compressor Group		
13		Capacitor - Compressor Start	See Compressor Group		
		High/Low Pressure Controls	See Coil Group		

No.	Notes	MODEL COOLING CAPACITY ELECTRICAL DESIGNATION	RAND -024 JEZ	RAND -030 JEZ	RAND -036 JEZ
ELECTRICAL GROUP					
CONTROL BOX COMPONENTS:					
11		Capacitor - Fan Motor/Compressor	See Compressor Group		
12		Start Relay	See Compressor Group		
13		Capacitor - Compressor Start	See Compressor Group		
14	Stk	Control Board	47-102090-01	47-102090-01	47-102090-01
	3	Wiring Harness - Fan Motor (See Note 3)	45-102120-01	45-102120-01	45-102120-01
		High/Low Pressure Controls	See Coil Group		
	3	Wiring Harnesses	See Note 3		

No.	Notes	MODEL COOLING CAPACITY ELECTRICAL DESIGNATION	RAND -042 JEZ	RAND -048 JEZ	RAND -060 JEZ
ELECTRICAL GROUP					
CONTROL BOX COMPONENTS:					
11		Capacitor - Fan Motor/Compressor	See Compressor Group		
12		Start Relay	See Compressor Group		
13		Capacitor - Compressor Start	See Compressor Group		
14	Stk	Control Board	47-102090-01	47-102090-01	47-102090-01
	3	Wiring Harness - Fan Motor (See Note 3)	45-102120-01	45-102120-01	45-102120-01
		High/Low Pressure Controls	See Coil Group		
	3	Wiring Harnesses	See Note 3		

No.	Notes	MODEL COOLING CAPACITY ELECTRICAL DESIGNATION	RAND -036 CAZ	RAND -042 CAZ	RAND -048 CAZ	RAND -060 CAZ
ELECTRICAL GROUP						
CONTROL BOX COMPONENTS:						
10	Stk	Contactora	42-22464-01	42-22464-01	42-22464-01	42-22464-03
11		Capacitor - Fan Motor	See Fan Group			
12		Start Relay	N/A	N/A	N/A	N/A
13		Capacitor - Compressor Start	N/A	N/A	N/A	N/A

No.	Notes	MODEL COOLING CAPACITY ELECTRICAL DESIGNATION	RAND -036 DAZ	RAND -042 DAZ	RAND -048 DAZ	RAND -060 DAZ
ELECTRICAL GROUP						
CONTROL BOX COMPONENTS:						
10	Stk	Contactora	42-22464-01	42-22464-01	42-22464-01	42-22464-03
11		Capacitor - Fan Motor	See Fan Group			
12		Start Relay	N/A	N/A	N/A	N/A
13		Capacitor - Compressor Start	N/A	N/A	N/A	N/A

No.	Notes	MODEL COOLING CAPACITY ELECTRICAL DESIGNATION	RAND -048 YAZ	RAND -060 YAZ		
ELECTRICAL GROUP						
CONTROL BOX COMPONENTS:						
10	Stk	Contactora	42-22464-01	42-22464-03		
11		Capacitor - Fan Motor	See Fan Group			
12		Start Relay	N/A	N/A		
13		Capacitor - Compressor Start	N/A	N/A		

No.	Notes	MODEL COOLING CAPACITY ELECTRICAL DESIGNATION		RAND -018 J	RAND -024 J	RAND -030 J
FAN GROUP						
15	Stk	Fan Motor		51-101774-04	51-101774-04	51-101774-02
11		Capacitor - Fan Motor		See Compressor Group		
16	Stk	Fan Blade - Before F1706 or M2606		70-102033-05	70-102011-06	70-102011-07
16	Stk	Fan Blade - After F1706 or M2606		70-102033-05	70-102011-08	70-102011-09

No.	Notes	MODEL COOLING CAPACITY ELECTRICAL DESIGNATION		RAND -036 J	RAND -042 J	RAND -048 J	RAND -060 J
FAN GROUP							
15	Stk	Fan Motor		51-102008-03	51-102008-03	51-102008-03	51-102008-03
11		Capacitor - Fan Motor		See Compressor Group			
16	Stk,2	Fan Blade - See Note 2		70-100580-04	70-100580-04	70-100580-04	70-100580-04
16	2	Fan Blade - See Note 2		70-102011-04	70-102011-04	70-102011-04	70-102011-04

No.	Notes	MODEL COOLING CAPACITY ELECTRICAL DESIGNATION		RAND -036 C	RAND -042 C	RAND -048 C	RAND -060 C
FAN GROUP							
15	Stk	Fan Motor		51-102008-03	51-102008-03	51-102008-03	51-102008-03
11		Capacitor - Fan Motor		43-100496-12	43-100496-12	43-100496-12	43-100496-12
16	Stk,2	Fan Blade - See Note 2		70-100580-04	70-100580-04	70-100580-04	70-100580-04
16	2	Fan Blade - See Note 2		70-102011-04	70-102011-04	70-102011-04	70-102011-04

No.	Notes	MODEL COOLING CAPACITY ELECTRICAL DESIGNATION		RAND -036 D	RAND -042 D	RAND -048 D	RAND -060 D
FAN GROUP							
15	Stk	Fan Motor		51-101774-05	51-101774-05	51-101774-05	51-101774-05
11		Capacitor - Fan Motor		43-100496-04	43-100496-04	43-100496-04	43-100496-04
16	Stk,2	Fan Blade - See Note 2		70-100580-04	70-100580-04	70-100580-04	70-100580-04
16	2	Fan Blade - See Note 2		70-102011-04	70-102011-04	70-102011-04	70-102011-04

No.	Notes	MODEL COOLING CAPACITY ELECTRICAL DESIGNATION		RAND -048 Y	RAND -060 Y		
FAN GROUP							
15	Stk	Fan Motor		51-101774-10	51-101774-10		
11		Capacitor - Fan Motor		43-100496-04	43-100496-04		
16	Stk,2	Fan Blade - See Note 2		70-100580-04	70-100580-04		
16	2	Fan Blade - See Note 2		70-102011-04	70-102011-04		

No.	Notes	MODEL COOLING CAPACITY ELECTRICAL DESIGNATION	RAND -018 JAZ/JBZ	RAND -024 JAZ/JBZ	RAND -024 JEZ	RAND -030 JAZ/JBZ	RAND -030 JEZ	
COIL GROUP								
8		Service Valve - Suction	See Panels - Miscellaneous					
9		Service Valve - Liquid	See Panels - Miscellaneous					
17	Stk	Condenser Coil	AS-102007-03	AS-59191-03	AS-59191-03	AS-59388-03	AS-59388-03	
	Stk,1	Filter Drier	83-22755-03	83-22755-03	83-22755-03	83-22755-03	83-22755-03	
	Stk,1	High Pressure Control	47-21604-03	47-21604-03	47-23699-01	47-21604-03	47-23699-01	
	Stk,1	Low Pressure Control	47-100543-01	47-100543-01	47-101529-03	47-100543-01	47-101529-03	

No.	Notes	MODEL COOLING CAPACITY ELECTRICAL DESIGNATION	RAND -036 JAZ/JBZ	RAND -036 JEZ	RAND -036 CAZ	RAND -036 DAZ		
COIL GROUP								
8		Service Valve - Suction	See Panels - Miscellaneous					
9		Service Valve - Liquid	See Panels - Miscellaneous					
17	Stk	Condenser Coil	AS-101903-03	AS-101903-03	AS-101903-03	AS-101903-03		
	Stk,1	Filter Drier	83-22755-03	83-22755-03	83-22755-03	83-22755-03		
	Stk,1	High Pressure Control	47-21604-03	47-23699-01	47-21604-03	47-21604-03		
	Stk,1	Low Pressure Control	47-100543-01	47-101529-03	47-100543-01	47-100543-01		

No.	Notes	MODEL COOLING CAPACITY ELECTRICAL DESIGNATION	RAND -042 JAZ/JBZ	RAND -042 JEZ	RAND -042 CAZ	RAND -042 DAZ		
COIL GROUP								
8		Service Valve - Suction	See Panels - Miscellaneous					
9		Service Valve - Liquid	See Panels - Miscellaneous					
17	Stk	Condenser Coil	AS-101903-03	AS-101903-03	AS-101903-03	AS-101903-03		
	Stk,1	Filter Drier	83-22755-06	83-22755-06	83-22755-06	83-22755-06		
	Stk,1	High Pressure Control	47-21604-03	47-23699-01	47-21604-03	47-21604-03		
	Stk,1	Low Pressure Control	47-100543-01	47-101529-03	47-100543-01	47-100543-01		

No.	Notes	MODEL COOLING CAPACITY ELECTRICAL DESIGNATION	RAND -048 JAZ/JBZ	RAND -048 JEZ	RAND -048 CAZ	RAND -048 DAZ	RAND -048 YAZ	
COIL GROUP								
8		Service Valve - Suction	See Panels - Miscellaneous					
9		Service Valve - Liquid	See Panels - Miscellaneous					
17	Stk	Condenser Coil	AS-101959-03	AS-101959-03	AS-101959-03	AS-101959-03	AS-101959-03	
	Stk	Filter Drier	83-22755-06	83-22755-06	83-22755-06	83-22755-06	83-22755-06	
	Stk	High Pressure Control	47-21604-03	47-23699-01	47-21604-03	47-21604-03	47-21604-03	
	Stk	Low Pressure Control	47-100543-02	47-101529-03	47-100543-02	47-100543-02	47-100543-02	

No.	Notes	MODEL COOLING CAPACITY ELECTRICAL DESIGNATION	RAND -060 JAZ/JBZ	RAND -060 JEZ	RAND -060 CAZ	RAND -060 DAZ	RAND -060 YAZ	
COIL GROUP								
8		Service Valve - Suction	See Panels - Miscellaneous					
9		Service Valve - Liquid	See Panels - Miscellaneous					
17	Stk	Condenser Coil	AS-101959-03	AS-101959-03	AS-101959-03	AS-101959-03	AS-101959-03	
	Stk	Filter Drier	83-22755-06	83-22755-06	83-22755-06	83-22755-06	83-22755-06	
	Stk	High Pressure Control	47-21604-03	47-23699-01	47-21604-03	47-21604-03	47-21604-03	
	Stk	Low Pressure Control	47-100543-02	47-101529-03	47-100543-02	47-100543-02	47-100543-02	

No.	Notes	MODEL COOLING CAPACITY ELECTRICAL DESIGNATION	RAND -018 J	RAND -024 J	RAND -030 J
COMPRESSOR GROUP					
		Compressor ID:	7292	7293	7294
18	Stk	Compressor	55-100835-30S	55-100835-07S	55-100835-08S
	Stk	Compressor Wiring Harness (Molded Plug) - All models except JEZ	45-100834-80	45-100834-80	45-100834-80
	Stk,3	Compressor Wiring Harness (Molded Plug) - JEZ (See Note 3)	N/A	45-100834-07	45-100834-08
11	Stk	Capacitor - Compressor/Fan	43-26261-40	43-26261-44	43-26261-41
12	Stk,1	Start Relay	42-18282-09	42-18282-09	42-18282-09
13	Stk,1	Start Capacitor	43-17075-04	43-17075-04	43-17075-04
		Sound Enclosure - JEZ	N/A	68-23427-21	68-23427-21
Compressor ID:					
					7259
18	Stk	Compressor			55-100835-02S
	Stk	Compressor Wiring Harness (Molded Plug) - All models except JEZ			45-100834-80
	Stk,3	Compressor Wiring Harness (Molded Plug) - JEZ (See Note 3)			45-100834-08
11	Stk	Capacitor - Compressor/Fan			43-26261-41
12	Stk,1	Start Relay			42-18282-09
13	Stk,1	Start Capacitor			43-17075-04
		Sound Enclosure - JEZ			68-23427-16

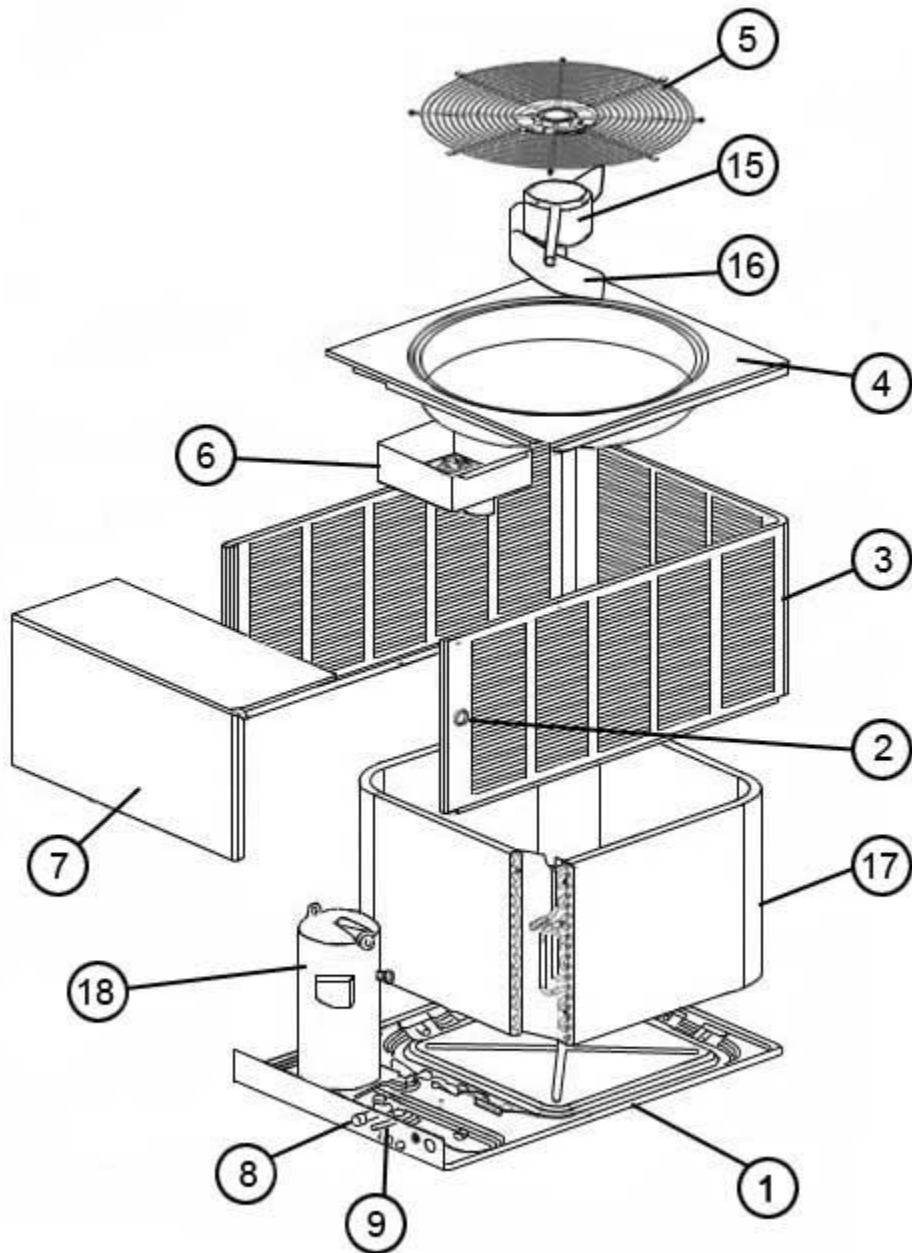
No.	Notes	MODEL COOLING CAPACITY ELECTRICAL DESIGNATION	RAND -036 J	RAND -036 C	RAND -036 D
COMPRESSOR GROUP					
		Compressor ID:	7297	7295	7296
18	Stk	Compressor	55-100835-25S	55-100835-34S	55-100835-35S
	Stk	Compressor Wiring Harness (Molded Plug) - All models except JEZ	45-100834-80	45-100834-80	45-100834-80
	Stk,3	Compressor Wiring Harness (Molded Plug) - JEZ (See Note 3)	45-100834-08	N/A	N/A
11	Stk	Capacitor - Compressor/Fan	43-101665-37	N/A	N/A
12	Stk	Start Relay	42-18282-09	N/A	N/A
13	Stk	Start Capacitor	43-17075-04	N/A	N/A
		Sound Enclosure - JEZ	68-23427-21	N/A	N/A

No.	Notes	MODEL COOLING CAPACITY ELECTRICAL DESIGNATION	RAND -042 J	RAND -042 C	RAND -042 D
COMPRESSOR GROUP					
		Compressor ID:	7300	7298	7299
18	Stk	Compressor	55-100835-10S	55-100835-36S	55-100835-37S
	Stk	Compressor Wiring Harness (Molded Plug) - All models except JEZ	45-100834-80	45-100834-80	45-100834-80
	Stk,3	Compressor Wiring Harness (Molded Plug) - JEZ (See Note 3)	45-100834-08	N/A	N/A
11	Stk	Capacitor - Compressor/Fan	43-26261-38	N/A	N/A
12	Stk	Start Relay	42-18282-09	N/A	N/A
13	Stk	Start Capacitor	43-17075-04	N/A	N/A
		Sound Enclosure - JEZ	68-23427-20	N/A	N/A
Compressor ID:					
			7224		
18	Stk	Compressor	55-101545-15S		
11	Stk	Capacitor - Compressor/Fan	43-23204-38		
12	Stk	Start Relay	43-17075-04		
13	Stk	Start Capacitor	42-18282-26		
		Sound Enclosure - JEZ	68-23427-21		

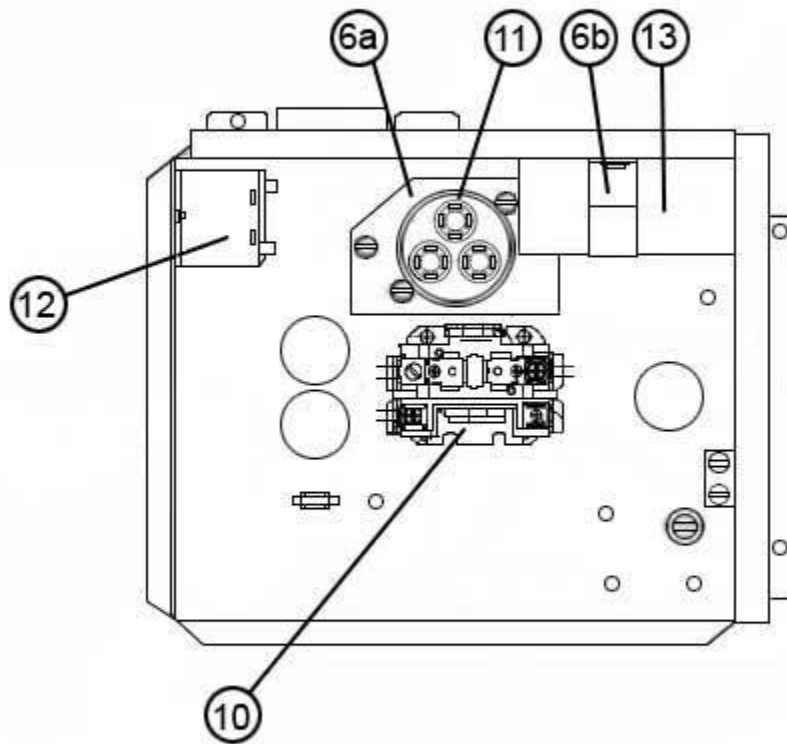
No.	Notes	MODEL COOLING CAPACITY ELECTRICAL DESIGNATION	RAND -048 J	RAND -048 C	RAND -048 D	RAND -048 Y
COMPRESSOR GROUP						
		Compressor ID:	7303	7301	7302	7304
18	Stk	Compressor	55-100835-11S	55-100835-29S	55-100835-33S	55-100835-47S
	Stk	Compressor Wiring Harness (Molded Plug) - All models except JEZ	45-100834-80	45-100834-80	45-100834-80	45-100834-80
	Stk,3	Compressor Wiring Harness (Molded Plug) - JEZ (See Note 3)	45-100834-08	N/A	N/A	N/A
11	Stk	Capacitor - Compressor/Fan	43-26261-39	N/A	N/A	N/A
12	Stk	Start Relay	42-18282-09	N/A	N/A	N/A
13	Stk	Start Capacitor	43-17075-04	N/A	N/A	N/A
		Sound Enclosure - JEZ	68-23427-20	N/A	N/A	N/A

No.	Notes	MODEL COOLING CAPACITY ELECTRICAL DESIGNATION	RAND -060 J	RAND -060 C	RAND -060 D	RAND -060 Y
COMPRESSOR GROUP						
		Compressor ID:	7307	7305	7306	7308
18	Stk	Compressor	55-100835-18S	55-100835-38S	55-100835-39S	55-100835-48S
	Stk	Compressor Wiring Harness (Molded Plug) - All models except JEZ	45-100834-80	45-100834-80	45-100834-80	45-100834-80
	Stk,3	Compressor Wiring Harness (Molded Plug) - JEZ (See Note 3)	45-100834-08	N/A	N/A	N/A
11	Stk	Capacitor	43-101665-30	N/A	N/A	N/A
12	Stk	Start Relay	42-18282-09	N/A	N/A	N/A
13	Stk	Start Capacitor	43-17075-04	N/A	N/A	N/A
		Sound Enclosure	68-23427-20	N/A	N/A	N/A
		Compressor ID:	7225			
18	Stk	Compressor	55-23148-37S			
11	Stk	Capacitor - Compressor/Fan	43-101662-47			
12	Stk	Start Relay	42-18282-26			
13	Stk	Start Capacitor	43-17075-12			
		Sound Enclosure - JEZ	68-23427-20			

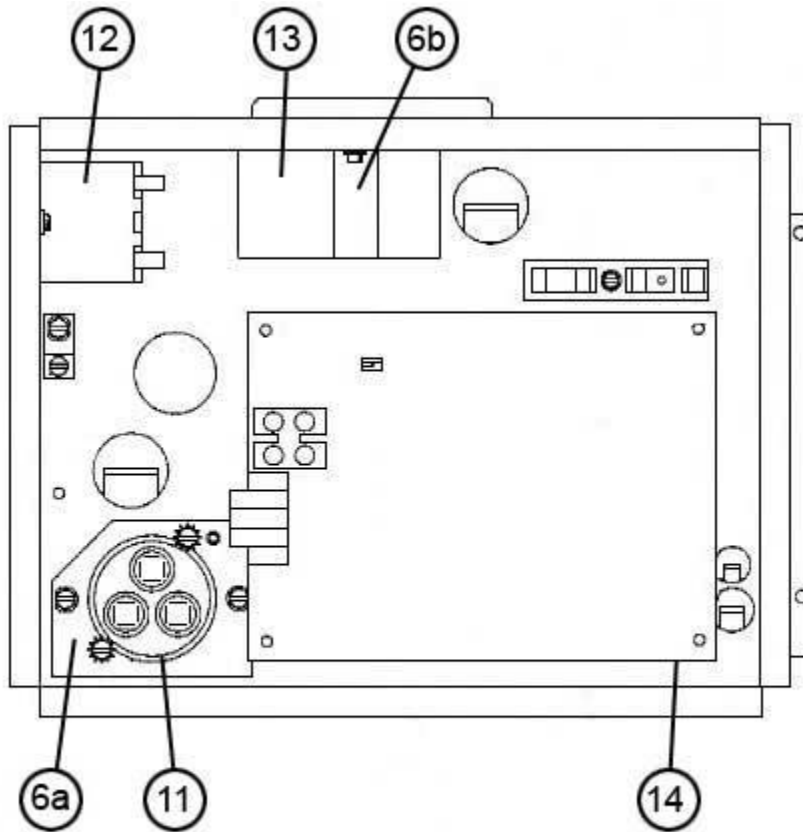
No.	Notes	MODEL VARIATIONS	RAND ALL
ACCESSORIES			
		Low Ambient Control	RXAD-A04
		Compressor Time Delay	RXMD-B01
		Comfort Alert Module (All models except JEZ)	42-101504-01



Exploded View



Control Box Assembly (JAZ JBZ CAZ DAZ YAZ)



Control Box Assembly (JEZ)

NOTES

Stk It is recommended that stock be maintained for this part.

N/A Not Applicable

- 1 Does not apply to JBZ models. Some JAZ models were produced with Capacitor/Relay 42-102004-01 or 42-102004-02
- 2 70-100580-04 is a 3-blade design, and 70-102011-04 is a 2-blade design. The replacement fan blades are interchangeable on the listed units, and either may be used for replacement.
- 3 Wiring Harnesses not listed individually are included with the JEZ model Control Box (item 6).

DISCLAIMER: This document is intended to provide general replacement parts information to aid qualified service personnel in the repair of these models. The complete Model and Serial Number of the unit under repair should be specified when selecting and ordering replacement parts. Specifications and illustrations are subject to change without notice. Document 92-42800-RAND supersedes all previous parts lists for these models. See <http://www.rheempartslists.net/92-42800-RAND> for the latest revision of this document. The manufacturer assumes no obligation for errors or omissions. Service personnel must verify the proper and safe operation of equipment after the replacement of any original components.