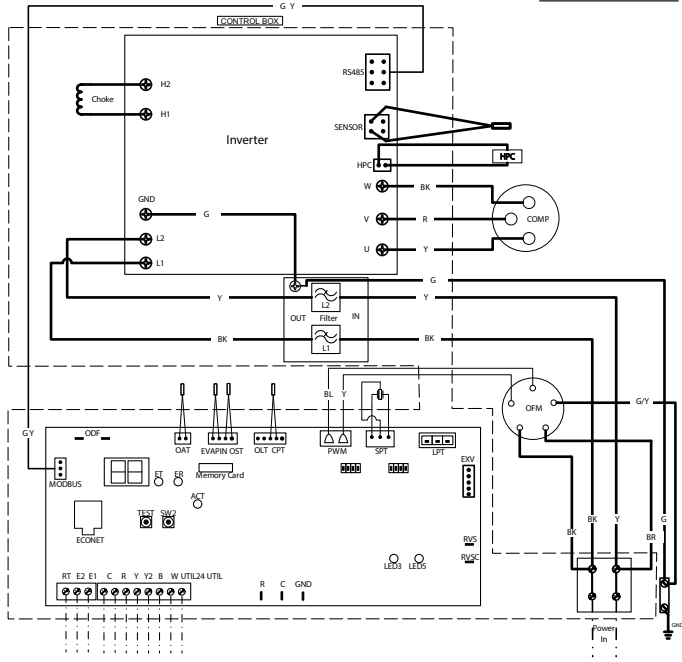
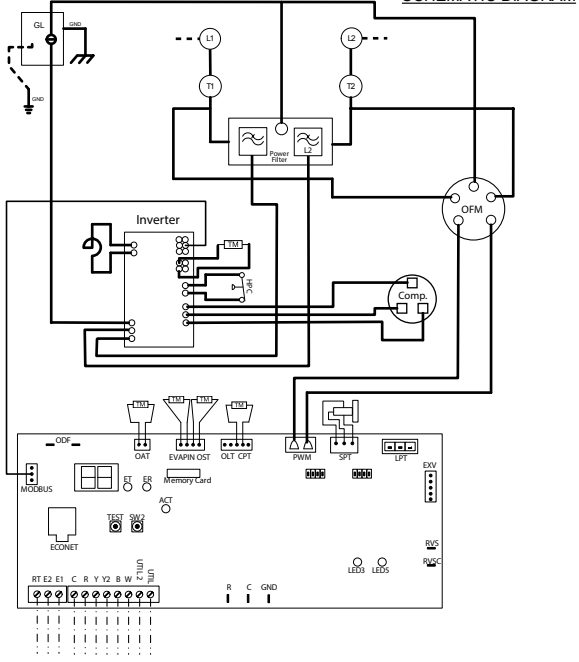


### WIRING DIAGRAM



### SCHEMATIC DIAGRAM



### NOTES

- 1..... CONNECTORS SUITABLE FOR USE WITH COPPER CONDUCTORS ONLY.
- 2..... COMPRESSOR MOTOR THERMALLY PROTECTED.
- 3..... CONNECT FIELD WIRING IN GROUNDED RAINTIGHT CONDUIT TO FUSED DISCONNECT, VOLTAGE, HERTZ AND PHASE PER RATING, AND PER NATIONAL AND LOCAL CODES.
- 4..... LOW VOLTAGE CIRCUIT TO BE N.E.C. CLASS 2 WITH A CLASS 2 TRANSFORMER 24 VOLT, 50 OR 60 HZ. MIN 18 AWG.
- 5..... TO THERMOSTAT, REFER TO SYSTEM SCHEMATICS OR SCHEMATICS ON INDOOR SECTION FOR LOW VOLTAGE CONTROL WIRING.
- 6..... DUAL 7-SEGMENT LED DISPLAY TO DISPLAY DIAGNOSTIC CODES, SEE DIAGNOSTIC LABEL FOR DETAILS.
- 7..... HPC ARE AUTOMATIC RESET SWITCHES.

### WIRING INFORMATION

**LINE VOLTAGE**  
 -FACTORY STANDARD \_\_\_\_\_  
 -FACTORY OPTION - - - - -  
 -FIELD INSTALLED - - - - -

**LOW VOLTAGE**  
 -FACTORY STANDARD \_\_\_\_\_  
 -FIELD INSTALLED - - - - -  
 REPLACEMENT WIRE - - - - -

-MUST BE THE SAME SIZE AND TYPE OF INSULATION AS ORIGINAL (105C. MIN.)

**WARNING**  
 -CABINET MUST BE PERMANENTLY GROUNDED AND CONFORM TO I.E.C., N.E.C., C.E.C., NATIONAL WIRING REGULATIONS, AND LOCAL CODES AS APPLICABLE.

### COMPONENT CODES

- |                                      |                                     |
|--------------------------------------|-------------------------------------|
| CC.....COMPRESSOR CONTACTOR          | OAT.....OUTDOOR AIR TEMP.           |
| CHC.....C C H THERMISTOR             | OFM.....OUTDOOR FAN MOTOR           |
| COM.....COMMON CONNECTION            | LPT.....- - FOR FUTURE USE - -      |
| COMP.....COMPRESSOR                  | OST.....SUCTION TEMP. CONN.         |
| EVAP.....COIL TEMP                   | P11.....RJ 14 COM TAP               |
| EXV (5 PIN).....ELEC. TX VALVE       | PSC.....PSC MTR. CONN.              |
| ODF.....OUTDOOR FAN CONNECTION       | RBS.....- - FOR FUTURE USE - -      |
| GND.....GROUND                       | CAP.....RUN CAPACITOR               |
| HPC.....HIGH PRESS. CONT.            | RVS.....REVERSING VALVE CONN.       |
| LPC.....LOW PRESSURE CONTROL         | SPT.....JUNCTION PRESS. TRANS CONN. |
| TM.....THERMISTOR                    | WIRE NUT                            |
| SENSOR.....DISCHARGE LINE THERMISTOR | 24 VAC.....24 VAC INPUT             |
| LED 3.....GREEN - EXV OPEN LED       |                                     |
| LED 5.....AMBER - EXV CLOSE LED      |                                     |

### WIRE COLOR CODE

- |              |              |               |
|--------------|--------------|---------------|
| BK.....BLACK | G.....GREEN  | PR.....PURPLE |
| BR.....BROWN | G Y.....GRAY | R.....RED     |
| BL.....BLUE  | O.....ORANGE | W.....WHITE   |
|              |              | Y.....YELLOW  |

### ELECTRICAL WIRING DIAGRAM

VARIABLE SPEED ECONET  
 DEFROST CONTROL  
 (AC ONLY)  
 W/ECM MOTOR