



RA17

Parts List
26-August-2015



*This parts list is current as of the above revision date.
See <http://www.rheempartslists.net/92-42800-RA17.pdf> for the current revision.*

Condensing Units

Table of Contents

Model Explanation	Page 3
Parts Numbers	
Panels	Page 4
Electrical-Fan Group	Page 5
Coil Parts	Page 6
Compressor Group	Page 7
Accessories	Page 8
Drawings/Photographs	
Exploded View	Page 9
Control Box	Page 10
Valve Mounting, Compressor	Page 11
Notes/Disclaimer	Page 12

MODEL NUMBER EXPLANATION

R	A	1	7	1	8	A	J	2	C	B
1	2	3		4		5	6	7	8	9

- | | |
|--|--|
| <p>(1) Brand
R = Rheem
U = Ruud</p> <p>(2) Product Category
A = Air Conditioner</p> <p>(3) Seer
17 = 17 SEER</p> <p>(4) COOLING CAPACITY (BTU/HR)
018 = 18,000
024 = 24,000
030 = 30,000
036 = 36,000
042 = 42,000
048 = 48,000
060 = 60,000</p> | <p>(5) MAJOR SERIES
A = First Design Series</p> <p>(6) VOLTAGE
J = 208-230/1/60
C = 208-230/3/60
D = 460/3/60
Y = 575/3/60</p> <p>(7) TYPE
2 = Two Stage</p> <p>(8) CONTROLS
C = Communicating</p> <p>(9) MINOR SERIES
A = First Design Series
B = Second Design Series (LPC/HPC)</p> |
|--|--|

SERIAL NUMBER EXPLANATION

W	0	8	1	3	9	9	9	9
(1)	(2)		(3)		(4)			

- (1) **PLANT CODE**
W = West Nuevo Laredo
- (2) **WEEK OF PRODUCTION**
- (3) **YEAR OF PRODUCTION**
- (4) **PRODUCTION NUMBER**

Note: For Compressor Identification Number, see Compressor Code on Rating Plate

No.	Notes	MODEL COOLING CAPACITY VARIATION	RA17 24 AJ2CB	RA17 36 AJ2CB	RA17 48 AJ2CB	RA17 60 AJ2CB
SHEET METAL PARTS, MISCELLANEOUS						
1		Front Panel	AE-104456-25	AE-104456-28	AE-104456-49	AE-104456-49
2		Left Panel (Panel/Label Assembly)	68-105597-11	68-105597-07	68-105597-12	68-105597-12
3		Back Panel	AE-104456-26	AE-104456-29	AE-104456-50	AE-104456-50
4		Right Panel	AE-104456-25	AE-104456-28	AE-104456-49	AE-104456-49
5		Base Pan	68-104457-02	68-104457-02	68-104457-03	68-104457-03
6		Control Box	AE-104461-01	AE-104461-01	AE-104461-01	AE-104461-01
7		Control Box Cover	AS-104462-01H	AS-104462-01H	AS-104462-01H	AS-104462-01H
8		Control Box Bracket	AS-104460-04H	AS-104460-05H	AS-104460-11H	AS-104460-11H
9		Service Door	AS-104525-01H	AS-104525-01H	AS-104525-01H	AS-104525-01H
10		Center Post (2)	AS-104459-07H	AS-104459-09H	AS-104459-13H	AS-104459-13H
11		Corner Post (2)	AS-104469-04H	AS-104469-05H	AS-104469-07H	AS-104469-07H
12		Corner Post (3)	AS-104469-04H	AS-104469-05H	AS-104469-07H	AS-104469-07H
13		Top Panel	AS-104458-02H	AS-104458-02H	AS-104458-03H	AS-104458-03H
14		Venturi	68-104464-06	68-104464-04	68-104464-07	68-104464-07
15		Grille	95-104620-02	95-104620-02	95-104620-03	95-104620-03
		Center Cap	91-101123-24	91-101123-24	91-101123-24	91-101123-24
		Service Valve - Suction	See Coil Group			
		Service Valve - Liquid	See Coil Group			
		Touch-up Paint - Granite/Steel Gray (Aerosol)	PD523018	PD523018	PD523018	PD523018
		Touch-up Paint - Granite/Steel Gray (Paint Pens)	PD523019	PD523019	PD523019	PD523019

No.	Notes	MODEL COOLING CAPACITY VARIATION	RA17 24 AJ2CB	RA17 36 AJ2CB	RA17 48 AJ2CB	RA17 60 AJ2CB
ELECTRICAL/FAN GROUP						
20	Stk	Fan Motor	51-102870-05	51-102008-07	51-105035-01	51-105035-01
21	Stk	Fan Blade	70-102345-08	70-102345-01	70-102345-09	70-102345-09
22	Stk	Contactora	42-102664-05	42-102664-05	42-102664-10	42-102664-10
23		Capacitor	See Compressor Group			
23a		Capacitor Strap	AE-104562-01	AE-104562-01	AE-104562-01	AE-104562-01
25		Crankcase Heater	See Compressor Group			
26		Grounding Lug	45-19000-01	45-19000-01	45-19000-01	45-19000-01
		Low Ambient Control	See Accessories Group			
27	Stk	Low Pressure Control	47-103670-02	47-103670-02	47-103670-04	47-103670-04
27a		Valve Body - Low Pressure Control	61-18542-01	61-18542-01	61-18542-01	61-18542-01
28	Stk	High Pressure Control	47-102290-01	47-102290-01	47-102290-01	47-102290-01
		Wiring Harness - Thermostat	45-101891-08	45-101891-08	45-101891-08	45-101891-08
		Locking Push Mount Tie (for securing thermostat wires)	64-25340-02	64-25340-02	64-25340-02	64-25340-02
		Control - Identity EEPROM	47-102738-105	47-102738-106	47-102738-107	47-102738-108
		Ambient Sensor	47-102709-06	47-102709-06	47-102709-06	47-102709-06
29		Control Board - EcoNet	47-105395-01	47-105395-01	47-105395-01	47-105395-01
		Compressor Wiring Harness (Low Voltage)	See Compressor Group			
		Compressor Plug Harness	See Compressor Group			

No.	Notes	MODEL COOLING CAPACITY VARIATION	RA17 24 AJ2CB	RA17 36 AJ2CB
COIL GROUP				
30	Stk	Condenser Coil	AS-105394-03	AS-105419-03
31		Service Valve - Suction	61-104914-03	61-104914-03
32		Service Valve - Liquid	61-104914-01	61-104914-01
33a		Valve Core	61-18551-01	61-18551-01
33b		Valve Cap	83-100635-01	83-100635-01
27	Stk	Low Pressure Control	See Electrical Group	
28	Stk	High Pressure Control	See Electrical Group	
	Stk	Filter Drier	83-22755-06	83-22755-06

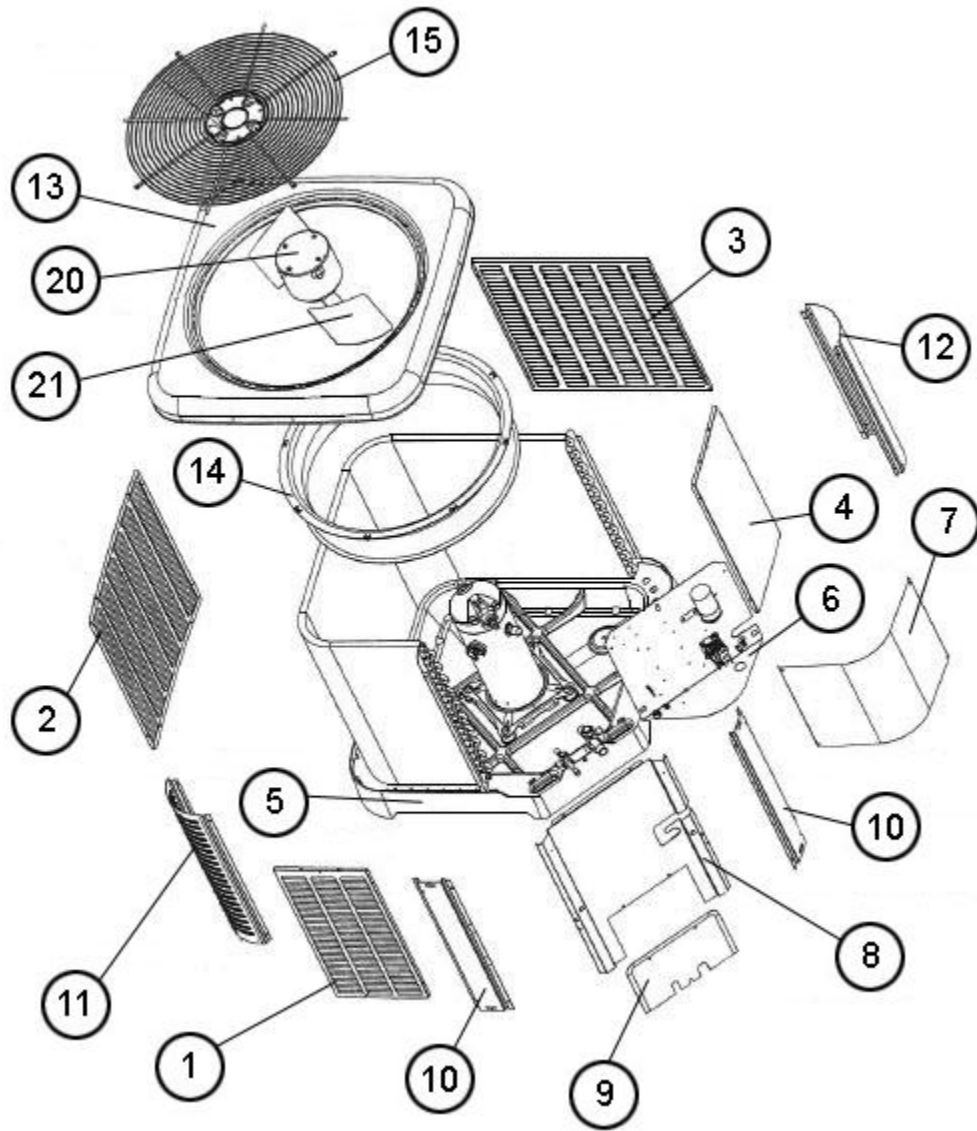
No.	Notes	MODEL COOLING CAPACITY VARIATION	RA17 48 AJ2CB	RA17 60 AJ2CB
COIL GROUP				
30	Stk	Condenser Coil	AS-105427-03	AS-105427-03
31		Service Valve - Suction	61-104914-04	61-104914-04
32		Service Valve - Liquid	61-104914-01	61-104914-01
33a		Valve Core	61-18551-01	61-18551-01
33b		Valve Cap	83-100635-01	83-100635-01
27	Stk	Low Pressure Control	See Electrical Group	
28	Stk	High Pressure Control	See Electrical Group	
	Stk	Filter Drier	83-22755-06	83-22755-06

No.	Notes	MODEL COOLING CAPACITY VARIATION	RA17 24 AJ2CB	RA17 36 AJ2CB
COMPRESSOR GROUP				
		Compressor ID:	9081	9082
40	Stk	Compressor	55-23156-35S	55-23156-36S
		Compressor Grommet (4)	56-18518-04	56-18518-04
		Compressor Bolt (4)	63-20072-07	63-20072-07
23	Stk	Capacitor - Compressor	43-101666-23	43-101665-36
		Compressor Plug Harness	45-100834-14	45-100834-14
	Stk	Compressor Wiring Harness (Low Voltage - Molded Plug)	45-101723-05	45-101723-05
25		Crankcase Heater	N/A	44-103663-13
		Filter Drier	See Coil Group	

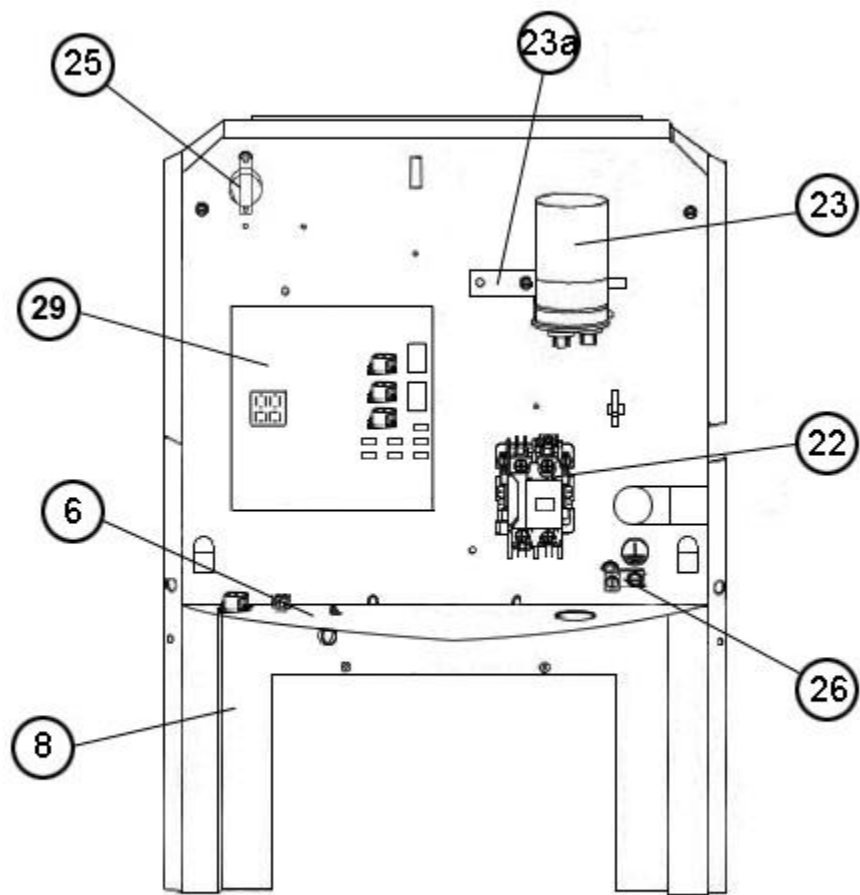
No.	Notes	MODEL COOLING CAPACITY VARIATION	RA17 48 AJ2CB	RA17 60 AJ2CB
COMPRESSOR GROUP				
		Compressor ID:	9083	9084
40	Stk	Compressor	55-23156-37S	55-23156-34S
		Compressor Grommet (4)	56-18518-06	56-18518-06
		Compressor Bolt (4)	63-20072-07	63-20072-07
23	Stk	Capacitor - Compressor	43-101666-66	43-101666-25
		Compressor Plug Harness	45-100834-15	45-100834-15
	Stk	Compressor Wiring Harness (Low Voltage - Molded Plug)	45-101723-05	45-101723-05
25		Crankcase Heater	44-103663-13	44-103663-13
		Filter Drier	See Coil Group	

No.	Notes	MODEL COOLING CAPACITY VARIATION	RA17 24 AJ2CB	RA17 36 AJ2CB
ACCESSORIES				
		Low Ambient Control	RXAD-A08	RXAD-A08
		Freeze Stat	50313	50313
		Heat Pump Riser	686020	686020
		Compressor Crankcase Heater	44-17402-49	44-17402-49
		Compressor Sound Cover	68-23427-26	68-23427-26
		Compressor Hard Start Kit	SK-A1	SK-A1

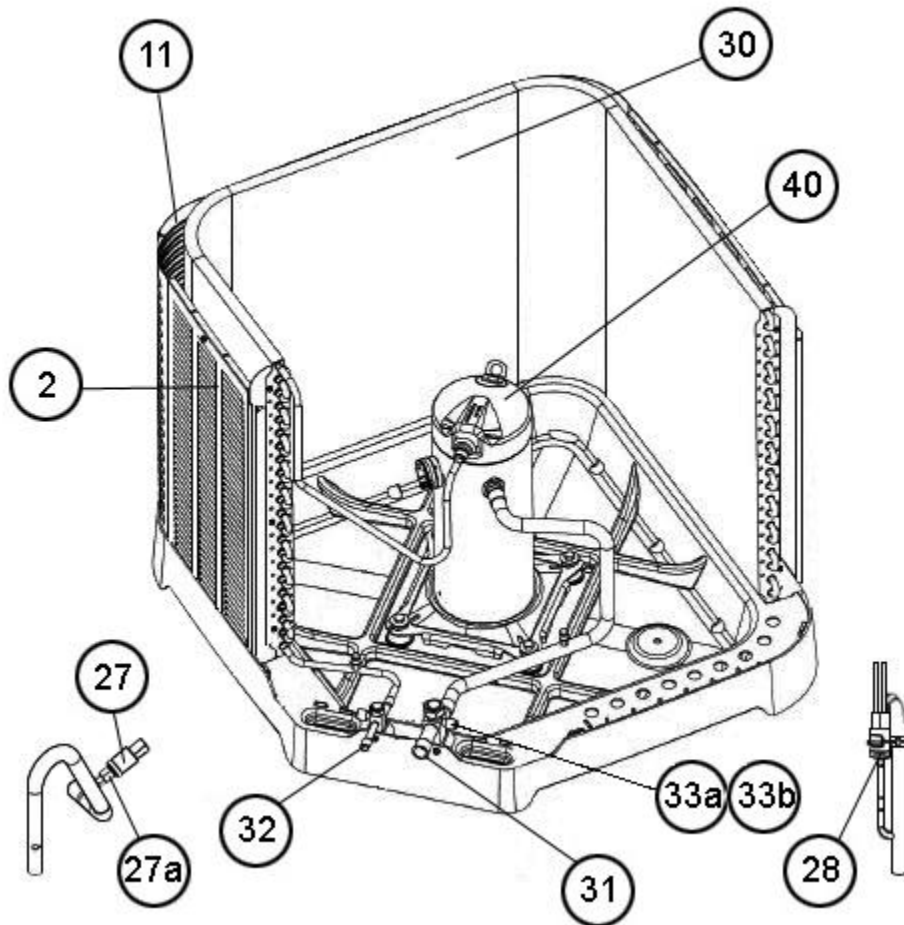
No.	Notes	MODEL COOLING CAPACITY VARIATION	RA17 48 AJ2CB	RA17 60 AJ2CB
ACCESSORIES				
		Low Ambient Control	RXAD-A08	RXAD-A08
		Freeze Stat	50313	50313
		Heat Pump Riser	686020	686020
		Compressor Crankcase Heater	44-101884-05	44-101884-05
		Compressor Sound Cover	68-25217-10	68-25217-10
		Compressor Hard Start Kit	SK-A1	SK-A1



Exploded View



Control Box



Valve Mounting, Compressor

NOTES

Stk It is recommended that stock be maintained for this part.
N/A Not Applicable

DISCLAIMER: This document is intended to provide general replacement parts information to aid qualified service personnel in the repair of these models. The complete Model and Serial Number of the unit under repair should be specified when selecting and ordering replacement parts. Specifications and illustrations are subject to change without notice. Document 92-42800-RA17 supersedes all previous parts lists for these models. See <http://www.rheempartslists.net/92-42800-RA17> for the latest revision of this document. The manufacturer assumes no obligation for errors or omissions. Service personnel must verify the proper and safe operation of equipment after the replacement of any original components.