



R802V-ZSA,ZXA

Parts List
09-July-2015



This parts list is current as of the above revision date.

See <http://www.rheempartslists.net/92-42800-R802V-ZSA,ZXA.pdf> for the current revision.

80% Gas Furnaces - 2 Stage

Table of Contents

Model Explanation	Page 3
Parts Numbers	
Panels - Miscellaneous	Page 4
Electrical Group	Page 5
Blower Group.....	Page 6
Heat Exchanger-Burner Group.....	Page 7
Gas Controls	Page 7
Orifice Selection Chart.....	Page 8
Drawings/Photographs	
Exploded View	Page 9
Blower Assembly	Page 10
Burner Assembly	Page 11
NOx Insert Assembly	Page 12
Blower Assembly	Page 10
Notes/Disclaimer	Page 14

MODEL EXPLANATION

R	8	0	2	V	A	0	7	5	3	1	7	Z	S	A
(1)	(2)		(3)	(4)	(5)	(6)			(7)	(8)		(9)	(10)	(11)

- | | |
|--|---|
| <p>(1) TRADEBRAND IDENTIFICATION</p> <p>(2) SERIES
80% Efficient</p> <p>(3) STAGE - TWO (2)</p> <p>(4) MOTOR TYPE
V = ECM</p> <p>(5) MAJOR REVISION
A = 1st Design Series</p> <p>(6) HEATING INPUT DESIGNATION
050 = 50,000 BTU/HR
075 = 75,000 BTU/HR
100 = 98,000 BTU/HR
125 = 125,000 BTU/HR
150 = 150,000 BTU/HR</p> | <p>(7) AIRFLOW
3 = Up to 3 tons
4 = Up to 4 tons
5 = Up to 5 tons</p> <p>(8) CABINET WIDTH
14 = 14.0 inch
17 = 17.5 inch
21 = 21.0 inch
24 = 24.5 inch</p> <p>(9) CONFIGURATION
Z = Down Flow, Zero Clearance</p> <p>(10) STANDARD/NOx
S = Standard
X = NOx</p> <p>(11) MINOR REVISION
A = First Time Release in Plant 124
B = Manufactured in Plant 152</p> |
|--|---|

SERIAL NUMBER EXPLANATION

W	0	8	1	4	9	9	9	9
(1)	(2)		(3)		(4)			

- (1) PLANT CODE**
- (2) WEEK (DATE CODE)**
- (3) YEAR**
- (4) PRODUCTION NUMBER**

Note: For Gas Code, see Control System Gas Code on Rating Plate

No.	Notes	MODEL	R802VA	R802VA	R802VA	R802VA
		INPUT	075	075	100	125
		AIRFLOW	3	4	5	5
		CABINET WIDTH	17	21	21	24
		CONFIGURATION	ZSA/ZXA	ZSA/ZXA	ZSA/ZXA	ZSA/ZXA
PANELS, SHEET METAL PARTS						
1	2	Jacket (See Note 2)	N/A	N/A	N/A	N/A
2		Top Plate	AE-66981-10	AE-66981-11	AE-66981-11	AE-66981-12
3		Blower/Filter Door	AS-105092-42	AS-105092-43	AS-105092-43	AS-105092-44
4		Burner Compartment Door	AS-101734-11	AS-101735-11	AS-101735-11	AS-101736-11
		Plug Button - 1-3/16 in. opening (2)	45-22980-01	45-22980-01	45-22980-01	45-22980-01
		Door Angle	AE-66980-02	AE-66980-02	AE-66980-03	AE-66980-04
5		Mounting Control Plate	See Blower Group			
6		Junction Box	AE-61475-02	AE-61475-02	AE-61475-02	AE-61475-02
7		Junction Box Cover	AE-61476-02	AE-61476-02	AE-61476-02	AE-61476-02
8		Flue Pipe	AE-66691-14	AE-66691-14	AE-66691-14	AE-66691-14
9		Flue Pipe Enclosure	AE-66982-01	AE-66982-01	AE-66982-01	AE-66982-01
10		Flue Pipe Enclosure Door	AE-66983-01	AE-66983-01	AE-66983-01	AE-66983-01
11		Rear Baffle	AE-66994-02	AE-66994-06	AE-66994-06	AE-66994-04
12		NOx Insert Retainer	See Heat Exchanger, Burner Manifold Group			
13		NOx Burner Inserts	See Heat Exchanger, Burner Manifold Group			
14		Pressure Switch	See Electrical Group			
15		Door Switch - Push Button	See Electrical Group			
16		Limit - Main Limit (Heat Exchanger Panel)	See Electrical Group			
17		Limit - Manual Reset (Burner Compartment)	See Electrical Group			
18		Limit - Heat Assisted (Blower Housing)	See Electrical Group			
19		Transformer	See Electrical Group			
20		Induced Draft Blower w/Gasket	See Electrical Group			
21		Blower Assembly	See Blower Group			
27		Heat Exchanger Assembly	See Heat Exchanger Group			
28		Heat Exchanger Bracket	See Heat Exchanger Group			
37		Gas Valve	See Gas Controls			
38		Integrated Furnace Control Board (IFC)	See Gas Controls			
		Touch-up Paint - Granite/Steel Gray (Aerosol)	PD523018	PD523018	PD523018	PD523018
		Touch-up Paint - Granite/Steel Gray (Paint Pens)	PD523019	PD523019	PD523019	PD523019

No.	Notes	MODEL INPUT AIRFLOW CABINET WIDTH CONFIGURATION	R802VA	R802VA	R802VA	R802VA
			075 3 17 ZSA/ZXA	075 4 21 ZSA/ZXA	100 5 21 ZSA/ZXA	125 5 24 ZSA/ZXA
ELECTRIC GROUP						
14	Stk	Pressure Switch	42-102341-02	42-102341-02	42-102341-02	42-102341-02
15		Door Switch - Push Button	42-22692-06	42-22692-06	42-22692-06	42-22692-06
16	Stk	Limit - Main Limit (Heat Exchanger Panel)	47-25349-13	47-25349-16	47-25349-02	47-25349-12
17	Stk	Limit - Manual Reset (Burner Compartment)	47-22861-03	47-22861-03	47-22861-03	47-22861-03
18	Stk	Limit - Heat Assisted (Blower Housing)	47-22860-06	47-22860-06	47-22860-06	47-22860-06
19	Stk	Transformer	46-102856-01	46-102856-01	46-102856-01	46-102856-01
20	Stk	Induced Draft Blower w/Gasket	70-101888-01	70-101888-01	70-101888-02	70-101888-02
		Integrated Furnace Control Board (IFC)	See Gas Controls			
		Memory Module for IFC	47-104778-55	47-104778-56	47-104778-57	47-104778-58
		Power Factor Choke (PFC)	N/A	46-24256-02	46-24256-02	46-24256-02
		Wiring Harness - 9 pin to Roll-Out, Gas Valve, Main Limit, etc.	45-105291-01	45-105291-01	45-105291-01	45-105291-01
		Wiring Harness - 9 pin to 7 pin on IFC	45-105290-01	45-105290-01	45-105290-01	45-105290-01
		Wiring Harness - 4 pin to IDM	45-105293-01	45-105293-01	45-105293-02	45-105293-02
		Wire Assembly - 3 pin (Junction Box to Twist Lock)	45-24371-58	45-24371-58	45-24371-58	45-24371-58

No.	Notes	MODEL INPUT AIRFLOW CABINET WIDTH CONFIGURATION	R802VA 075 3 17 ZSA/ZXA	R802VA 075 4 21 ZSA/ZXA	R802VA 100 5 21 ZSA/ZXA	R802VA 125 5 24 ZSA/ZXA
BLOWER GROUP						
21	Stk	Blower Assembly (Includes items 22-26)	AS-105345-01	AS-105345-02	AS-105345-03	AS-105345-03
5		Control Mounting Plate	AE-67877-02	AE-67877-02	AE-67877-02	AE-67877-02
22		Blower Housing	AS-61674-21	AS-61674-22	AS-61674-22	AS-61674-22
23	Stk	Blower Motor	51-102602-01	51-102603-01	51-102605-01	51-102605-01
24		Motor Mount (4)	AE-61956-01	AE-61956-01	AE-61956-01	AE-61956-01
		Screws - Motor Mount (12)	63-22153-01	63-22153-01	63-22153-01	63-22153-01
25	Stk	Blower Wheel	70-24254-02	70-23111-20	70-23111-20	70-23111-20
18		Limit - Heat Assisted (Blower Housing)	See Electrical Group			

No.	Notes	MODEL INPUT AIRFLOW CABINET WIDTH CONFIGURATION	R802VA 075 3 17 ZSA/ZXA	R802VA 075 4 21 ZSA/ZXA	R802VA 100 5 21 ZSA/ZXA	R802VA 125 5 24 ZSA/ZXA
HEAT EXCHANGER, BURNER / MANIFOLD						
12		NOx Insert Retainer (ZXA)	AE-67872-02 (1)	AE-67872-02 (1)	AE-67872-03 (1)	AE-67872-04 (1)
13		NOx Burner Inserts (ZXA)	AS-67875-01 (2)	AS-67875-01 (2)	AS-67875-01 (3)	AS-67875-01 (4)
27	Stk	Heat Exchanger Assembly (ZSA)	AS-100561-01	AS-66997-22	AS-66997-04	AS-66997-05
27	Stk	Heat Exchanger Assembly (ZXA)	AS-100561-02	AS-66997-24	AS-66997-17	AS-66997-18
28		Heat Exchanger Bracket - Left Side	AE-67846-02	AE-67846-02	AE-67846-02	AE-67846-02
28		Heat Exchanger Bracket - Right Side	AE-67846-02	AE-67846-02	AE-67846-02	AE-67846-02
32	Stk	Burner Assembly	AS-60993-03	AS-60993-03	AS-60993-04	AS-60993-05
33		Burner Support	AE-60997-02	AE-60997-02	AE-60997-03	AE-60997-04
34		Burner Support Bracket (2)	AE-61588-02	AE-61588-02	AE-61588-02	AE-61588-02
35	Stk	Manifold (w/o Orifices)	81-102427-02	81-102427-02	81-102427-03	81-102427-04
36		Burner Orifice - Natural Gas	See Orifice Selection Chart			
36		Burner Orifice - LP	See Orifice Selection Chart			
36		Number of Orifices	(3)	(3)	(4)	(5)

No.	Notes	MODEL GAS CODE	R802VA JL			
GAS CONTROLS						
37	Stk	Gas Valve - Natural Gas	60-101921-01			
37	Stk,1	Gas Valve - LP	See Note 1			
38	Stk	Integrated Furnace Control Board (IFC)	62-104061-02			
		Memory Module for IFC	See Electric Group			
39	Stk	Flame Sensor	62-23543-01			
40	Stk	Ignitor	62-24164-04			
		Ignitor Bracket	AE-61885-02			
		LP Conversion Kit:				
	Stk	LP Conversion Kit	FP-32			

80% GAS FURNACE - ORIFICE SELECTION CHART - NATURAL GAS

CAUTION: Selection of the correct Natural Gas Orifice requires the following information for the specific installation:

- 1) Altitude in of the installation (ft.).
- 2) Average energy content of the Natural Gas fuel from the local supplier (BTU/cu. ft.).

For detailed information and instructions for Orifice selection, see the Gas Furnace LP Conversion Kit Index 92-21519-70 and the latest edition of the National Fuel Gas Code Handbook, or the National Standard of Canada, Natural Gas and Propane Installation Code, CAN B149.1.

CAUTION: This information is provided for replacement purposes only. Conversion for operation at High Altitude must be done using the kit specified on the product specification sheet for the unit.

NOTE: This Orifice sizing chart is based on 25,000 BTU/HR per burner.

NOTE: Factory installed orifices are calculated and sized based on a Natural Gas heating value of 1075 BTU/cu. ft. and an elevation of 0 - 3000 ft.

Energy Value (BTU/cu. ft.)	Elevation (ft.)							
	0 - 1999	2000 - 2999	3000 - 3999	4000 - 4999	5000 - 5999	6000 - 6999	7000 - 7999	8000 - 8999
850	62-22175-38	62-22175-39	62-22175-40	62-22175-41	62-22175-41	62-22175-42	62-22175-42	62-22175-43
900	62-22175-40	62-22175-41	62-22175-42	62-22175-42	62-22175-42	62-22175-43	62-22175-43	62-22175-44
975	62-22175-41	62-22175-42	62-22175-42	62-22175-42	62-22175-43	62-22175-43	62-22175-44	62-22175-44
1075	62-22175-42	62-22175-42	62-22175-43	62-22175-43	62-22175-43	62-22175-44	62-22175-44	62-22175-45
1170	62-22175-43	62-22175-44	62-22175-44	62-22175-44	62-22175-45	62-22175-45	62-22175-46	62-22175-47

80% GAS FURNACE - ORIFICE SELECTION CHART - LP

CAUTION: Selection of the correct LP Orifice requires the altitude of the specific installation (ft.).

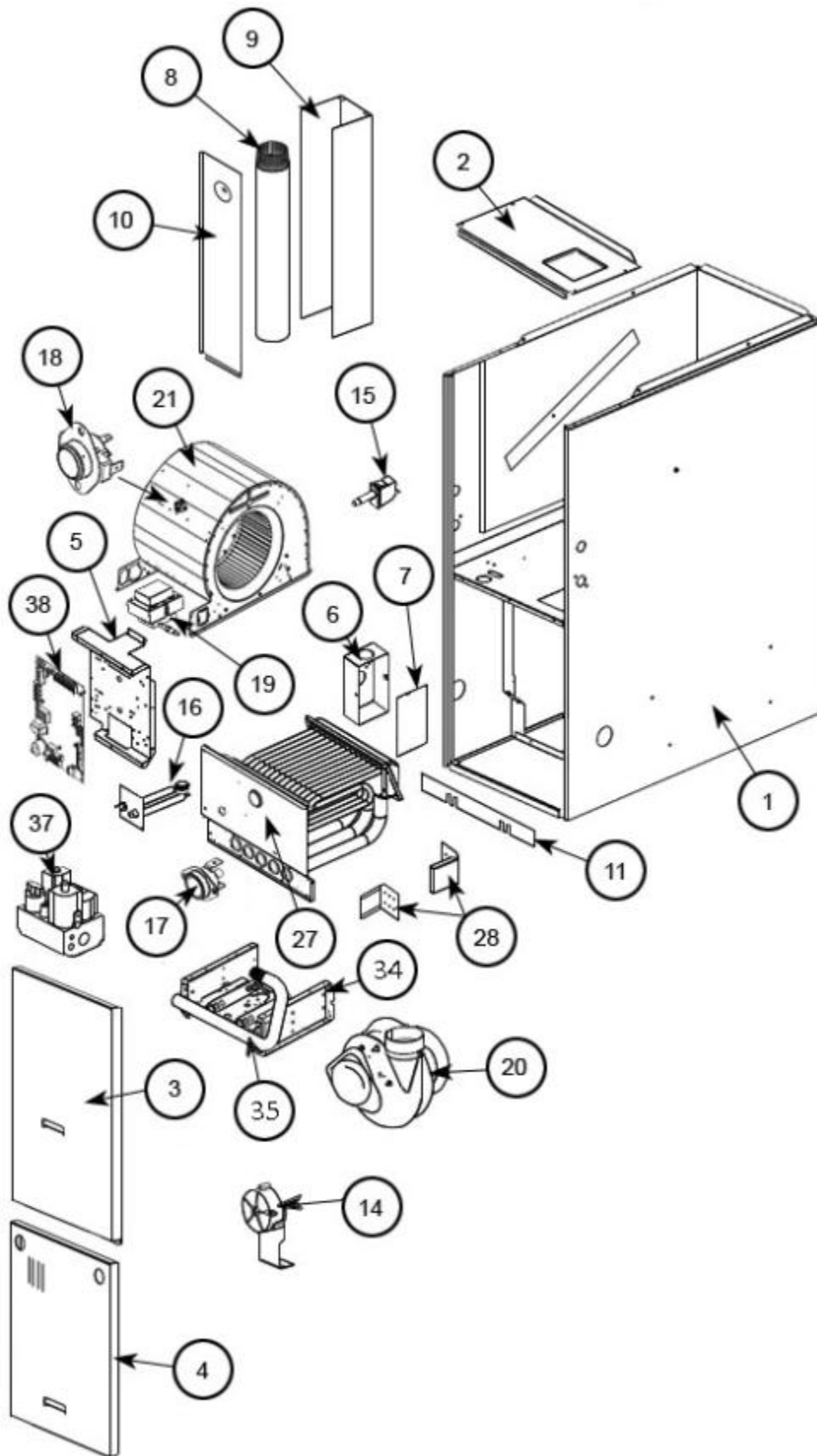
For detailed information and instructions for Orifice selection, see the Gas Furnace LP Conversion Kit Index 92-21519-70 and the latest edition of the National Fuel Gas Code Handbook (NFG), or the National Standard of Canada, Natural Gas and Propane Installation Code, CAN B149.1.

CAUTION: This information is provided for replacement purposes only. Conversion to LP or for operation at High Altitude should be done using the kit(s) specified on the product specification sheet for the unit.

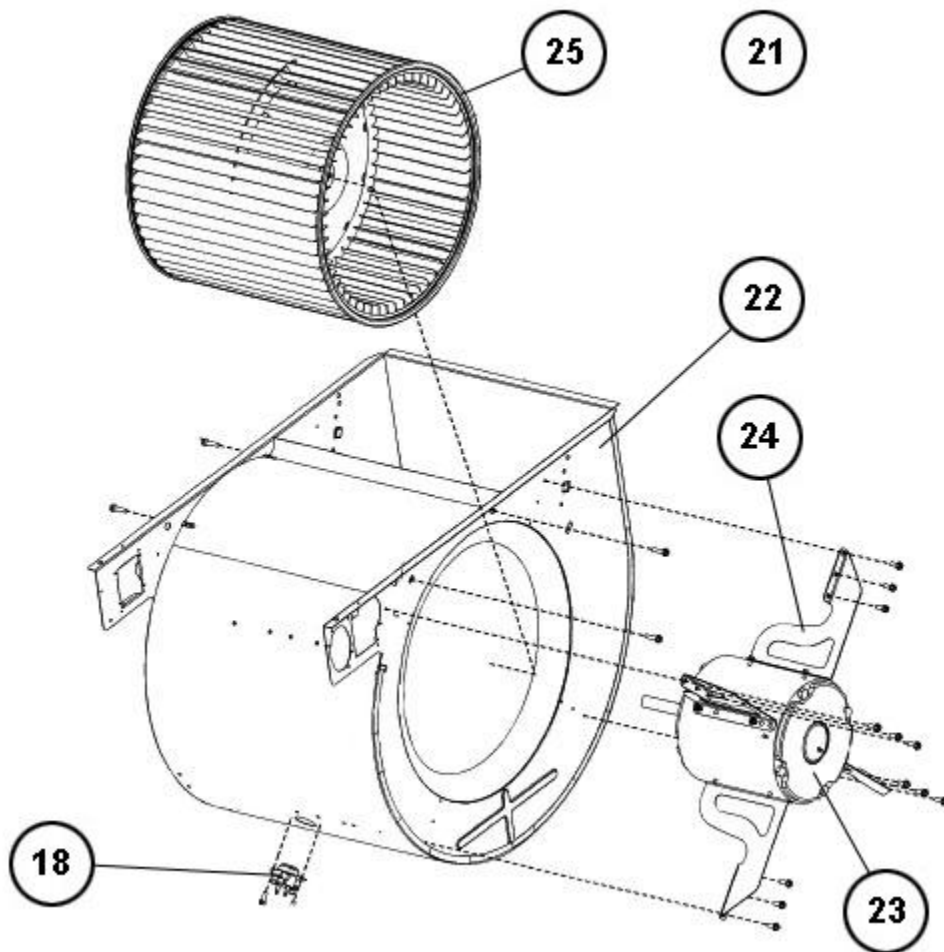
NOTE: This Orifice sizing chart is based on 25,000 BTU/HR per burner. Also, the chart is developed using the specified pressure setting of 10 in. water column instead of the 11.0 in water column used by the NFG and CANB149.1.

NOTE: Orifices supplied in the LP Conversion Kit are calculated and sized based on an altitude of 0 - 4000 ft.

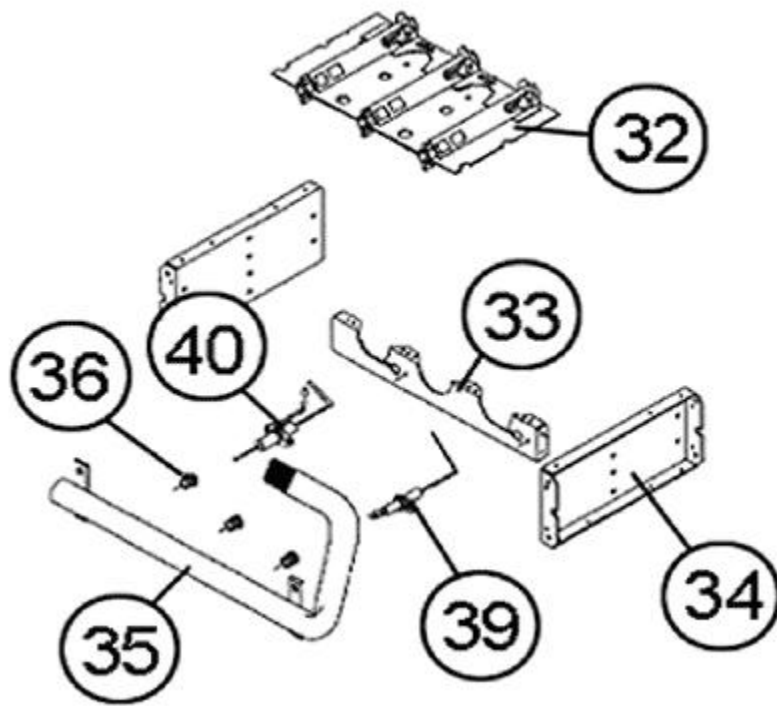
Elevation (ft.)	Orifice							
0 - 2000	62-22175-54							
2001 - 3000	62-22175-54							
3001 - 4000	62-22175-54							
4001 - 5000	62-22175-54							
5001 - 6000	62-22175-54							
6001 - 7000	62-22175-54							
7001 - 8000	62-22175-55							
8001 - 9000	62-22175-55							
9001 - 10000	62-22175-55							



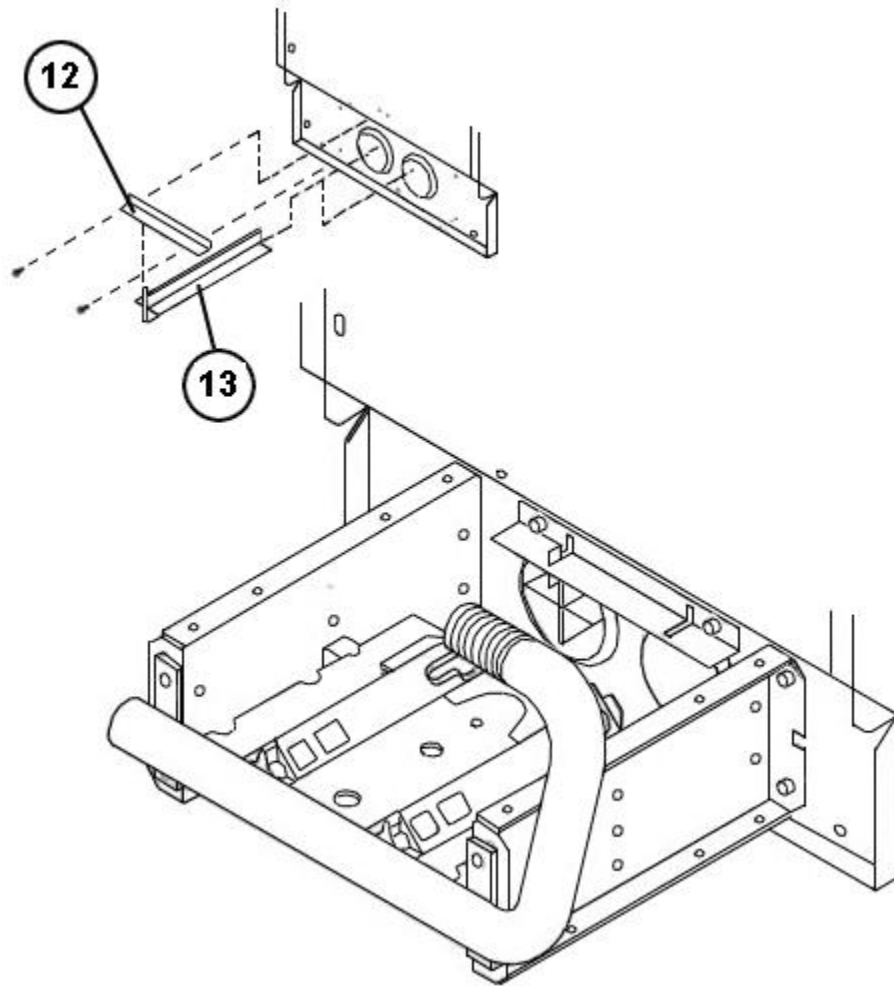
Exploded View



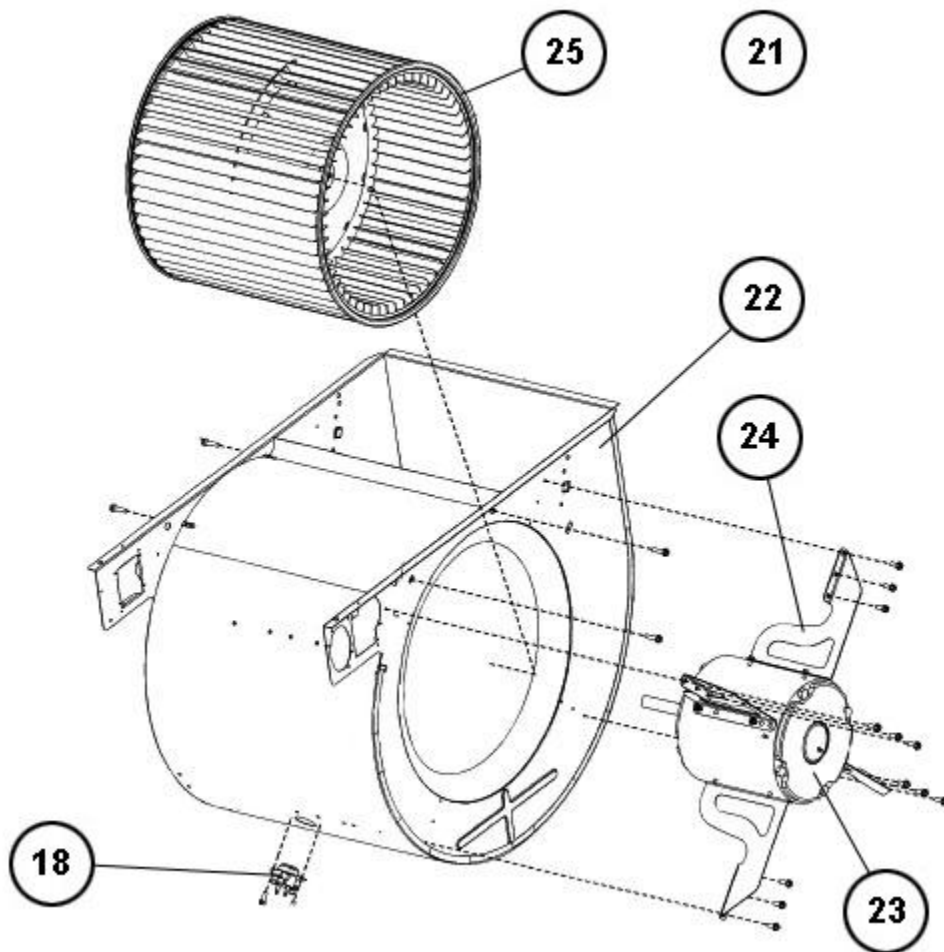
Blower Assembly



Burner Assembly



NOx Insert Assembly



Blower Assembly

NOTES

Stk It is recommended that stock be maintained for this part.

N/A Not Applicable

- 1 Order Gas Valve for Natural Gas along with LP Conversion Kit.
- 2 Jacket is not available for replacement.

DISCLAIMER: This document is intended to provide general replacement parts information to aid qualified service personnel in the repair of these models. The complete Model and Serial Number of the unit under repair should be specified when selecting and ordering replacement parts. Specifications and illustrations are subject to change without notice. Document 92-42800-R802V-ZSA,ZXA supersedes all previous parts lists for these models. See <http://www.rheempartslists.net/92-42800-R802V-ZSA,ZXA> for the latest revision of this document. The manufacturer assumes no obligation for errors or omissions. Service personnel must verify the proper and safe operation of equipment after the replacement of any original components.