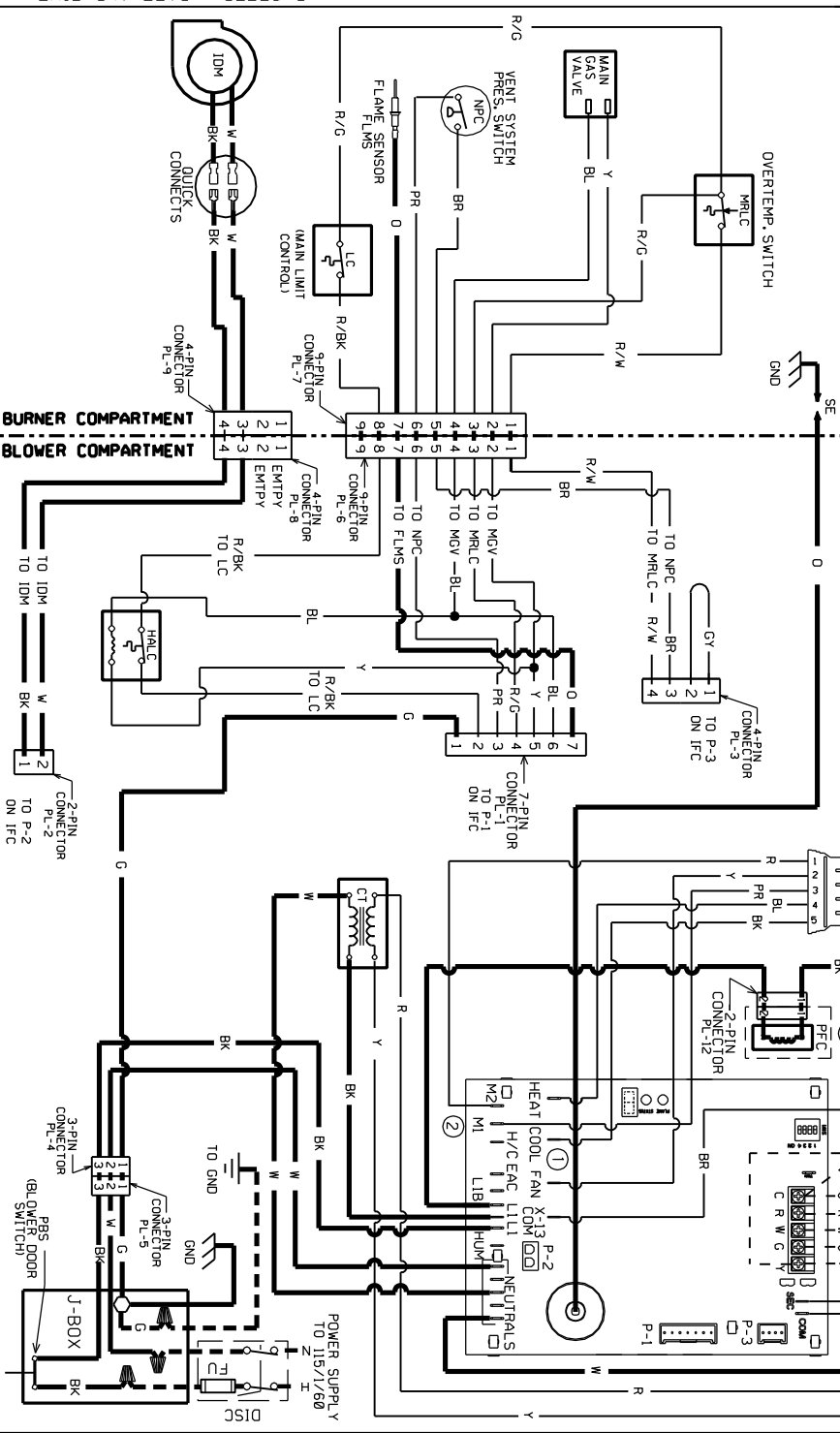


RELEASE NO.	G-1021S030	REVISIONS	01	REMOVED (1) MRLC - WAS (2)	JJM	6-15-14
MATERIAL	PRESSURE SENSITIVE, ADHESIVE BACKED LABEL.	02	REVERSED BLACK AND WHITE WIRE COLORS TO PL-8 & 9.	ZJW	G-1021S102	03-20-15
PRINTING INSTRUCTIONS	REDUCE TO 7 X 10 . WHITE WITH BLACK LETTERING (SEE ADS-4574-01)					

MOTOR SPEED WIRING	HEAT (FACTORY)	ALT. HEAT (FACTORY)	COOL (FACTORY)	CONT. FAN (FACTORY)
R801TA075J11Z5A	BL/4	BK/5	BK/5	R/1
R801TA075S21Z5A	PR/3	BL/4	BK/5	R/1
R801TA00521Z5A	BL/4	BK/5	BK/5	R/1
R801TA125S24Z5A	BL/4	BK/5	BK/5	R/1



**COMPONENT CODE**

BLWR	BLOWER RELAY	IFC	INTEGRATED FURNACE CONT
CC	COMMON	LC	LIMIT CONTROL
CC	COOLING CONTACTOR	LPC	LOW PRESSURE CONTROL
CT	CONTROL TRANSFORMER	M	MAIN
DISC	DISCONNECT SWITCH	MCV	MEMORY CARD
EAC	ELECT. AIR CLEANER OUTPUT	MGV	MAIN GAS VALVE
FLMS	FLAME SENSOR	MRLC	MAIN RESET LIMIT CONTROL
FR	FAN RELAY	NEU	NEUTRAL
FU	FUSE	NPC	NEGATIVE PRESSURE CONT.
GND	GROUND	PCS	PUSH BUTTON SWITCH
GVR	GAS VALVE RELAY	PFC	POWER FACTOR CHOKE
HALC	HEAT ASSISTED LIMIT CONTROL	PLUG	PLUG
HCR	HEAT/COOL RELAY	PS	PRESSURE SWITCH
HPC	HIGH PRESSURE CONTROL	RC	RUN CAPACITOR
HUM	HUMIDIFIER OUTPUT	SE	SPARK ELECTRODE
IBM	INDOOR BLOWER MOTOR	TM	THERMISTOR
IDM	INDUCED DRAFT MOTOR		

**NOTES:**

- REFER TO SPEC SHEET FOR ACTUAL FACTORY MOTOR TAP PLACEMENT OF 'HEAT' & 'FAN' AS SOME MODELS MAY BE DIFFERENT THAN SHOWN HERE. ALSO REFER TO SPEC. SHEET OR INSTALLATION MANUAL IF WIRING OF HEAT AND/OR COOL SPEEDS IS NOT DESIRABLE.
- CONNECT UNUSED MOTOR LEADS TO M1 AND/OR M2
- JUMPER USED IN PLACE OF PFC ON 1/2 H.P. MOTOR MODELS.

**WIRING INFORMATION**

- LINE VOLTAGE
- FACTORY STANDARD
- FACTORY OPTION
- FIELD INSTALLED
- LOW VOLTAGE
- FACTORY STANDARD
- FACTORY OPTION
- FIELD INSTALLED
- REPLACEMENT WIRE
- MUST BE THE SAME SIZE AND TYPE OF INSULATION AS ORIGINAL (105 C.M.I.)
- WARNING
- CABINET MUST BE PERMANENTLY GROUNDED AND CONFORM TO I.E.C., N.E.C., C.E.C., NATIONAL WIRING REGULATIONS, AND LOCAL CODES AS APPLICABLE.

**WIRE COLOR CODE**

BK	BLACK	OR	ORANGE
BR	BROWN	PR	PURPLE
BL	BLUE	R	RED
G	GREEN	W	WHITE
GY	GRAY	Y	YELLOW

**ELECTRICAL WIRING DIAGRAM**

