

## Accessories Economizers

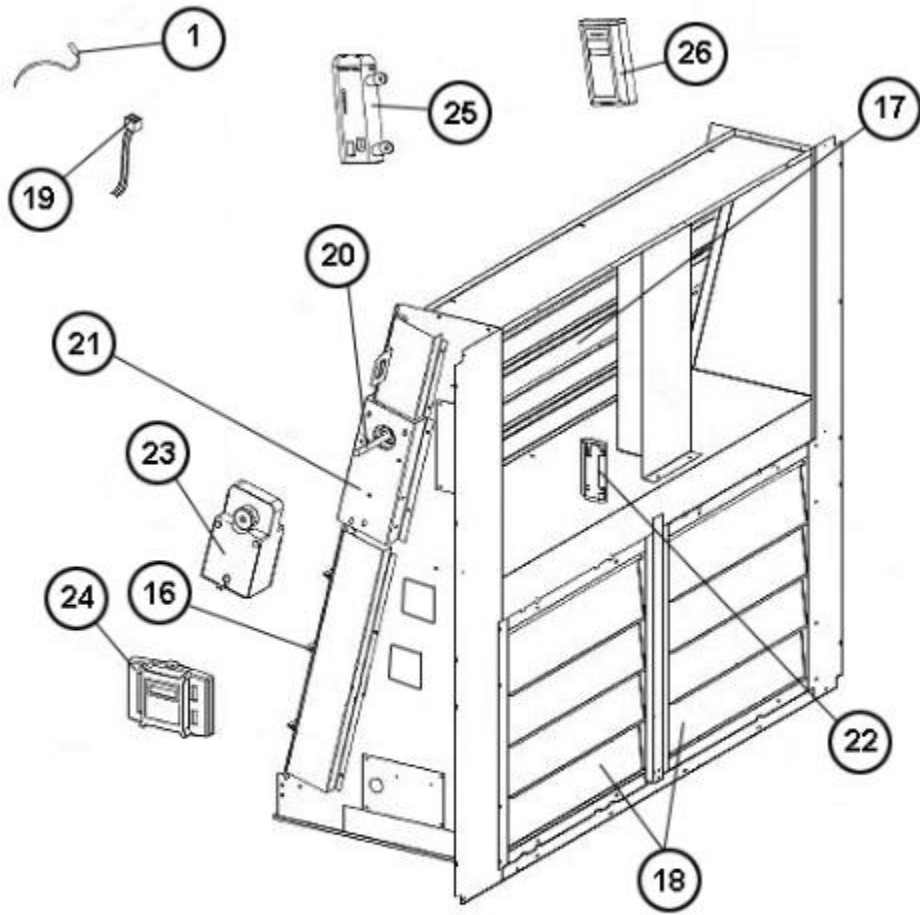


# AXRD-01RDDAM3

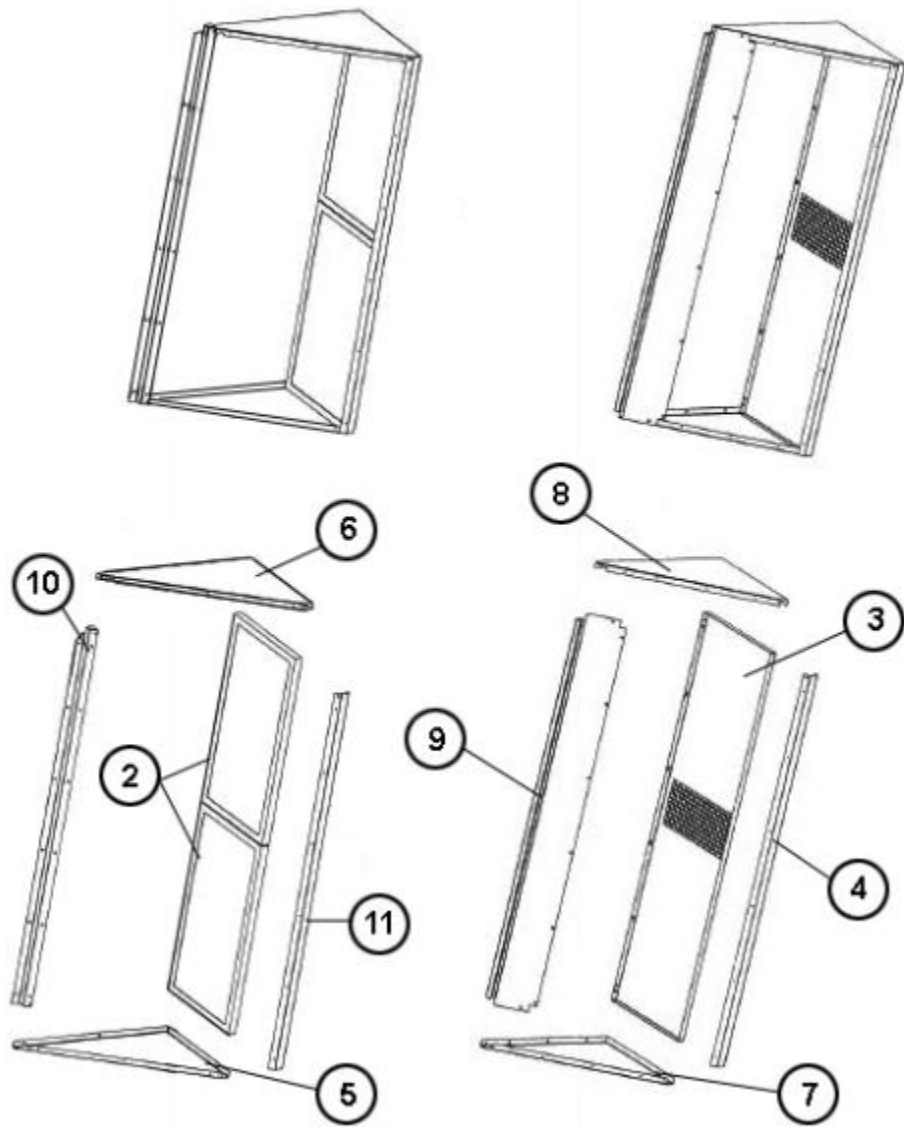
Parts List  
27-October-2015

*This parts list is current as of the above revision date.  
See <http://www.rheempartslists.net/92-42800-AXRD-01RDDAM3.pdf> for the current revision.*

| No. | Notes | Part Description  | Part No.  |
|-----|-------|---|-----------|
| 1   |       | Discharge Air Sensor  | PD955612  |
| 2   |       | (2) Permanent Filters (11.875 in. X 23.875 in.)                                     | PD955642  |
| 3   |       | Spotweld Assembly - Bird Screen   | PD955682  |
| 4   |       | Exhaust Air Rainhood Stripping Assembly - Birdscreen Front Support                  | PD955683H |
| 5   |       | OA Rainhood Stripping Assembly - Left Side  | PD955643H |
| 6   |       | OA Rainhood Stripping Assembly - Right Side   | PD955644H |
| 7   |       | Exhaust Air Rainhood - Left Side  | PD955645H |
| 8   |       | Exhaust Air Rainhood - Right Side   | PD955646H |
| 9   |       | OA Filter Rail Stripping Assembly   | PD955684H |
| 10  |       | OA Rainhood Stripping Assembly - Top  | PD955685H |
| 11  |       | OA Rainhood - Front Filter Support  | PD955686H |
|     |       | Hardware Bag - I & O Manual, Wire Ties, Screws                                      | PD955687  |
| 13  |       | Smoke Detector Flex Model (-01RDDBM3 only)  | N/A       |
| 14  |       | Sampling Tube (-01RDDBM3 only)  | N/A       |
| 15  |       | Sampling Tube Bracket (-01RDDBM3 only)  | N/A       |
| 16  |       | (3) Damper Blade with Seals - 38.250 (RA Damper Blades)                             | PD955690  |
| 17  |       | (3) Damper Blade with Seals - 38.250 (OA Damper Blades)                             | PD955691  |
| 18  |       | (2) Barometric Relief Assembly  | PD955692  |
| 19  |       | Wiring Harness Kit  | PD955693  |
| 20  |       | Actuator Shaft Pin (1/2 in. x 4 1/2 in. long)                                       | PD955694  |
| 21  |       | Actuator Mount  | PD955695  |
| 22  |       | Enthalpy Sensor - OA/RA   | PD955609  |
| 23  |       | Jade Actuator: 44 in-lb. output, Spring Return, SY LK bus input signal, 24VAC power | PD955610  |
| 24  |       | Jade Economizer Logic Module w/Heat Pump Input                                      | PD955633  |
| 25  |       | Dual Enthalpy Upgrade Kit w/Literature  | PD955613  |
| 26  |       | (Optional) Field Installed Wall Mounted CO2 sensor with 2-10 VDC input              | 470013    |



AXRD-01RDDAM3 ASSY



AXRD-01RDDAM3 HOOD