

Accessories Economizers

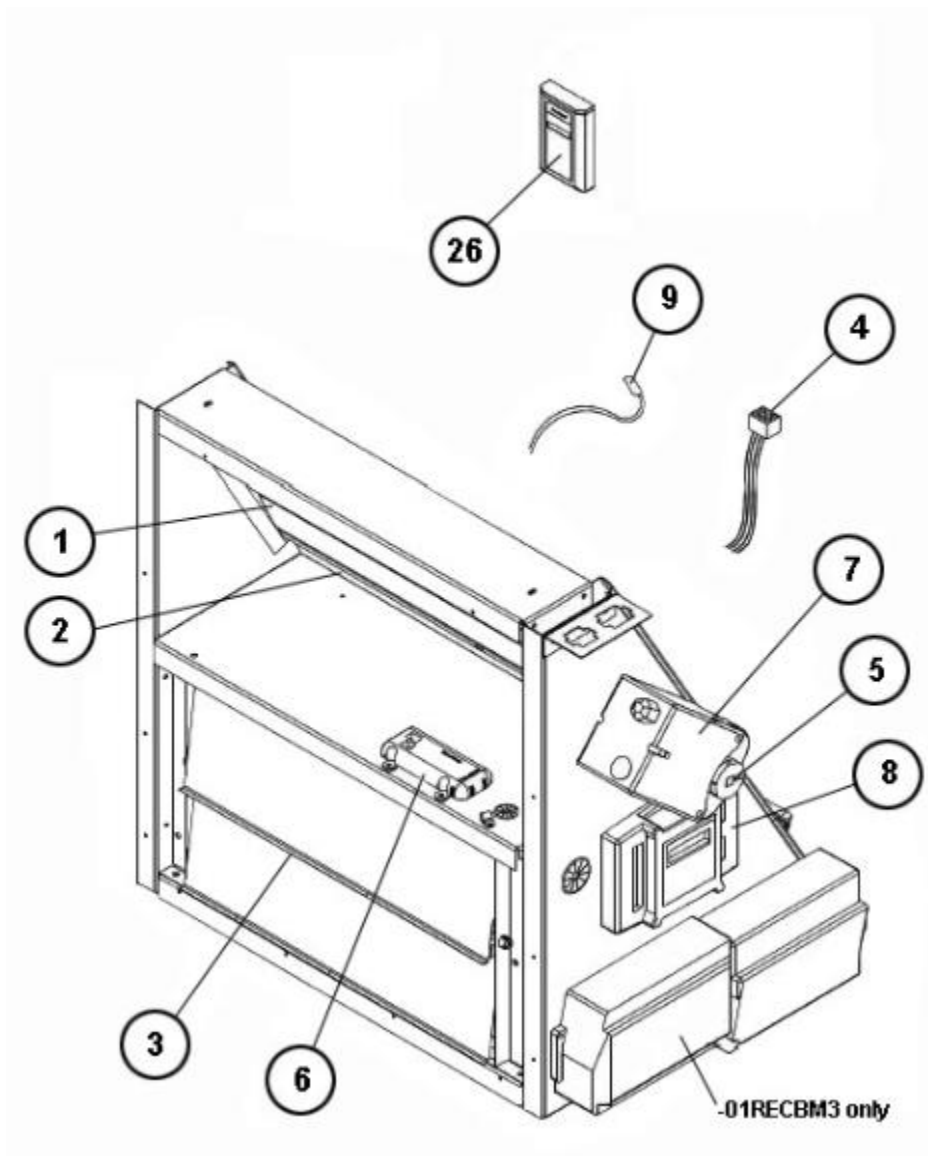


AXRD-01RCCAM3

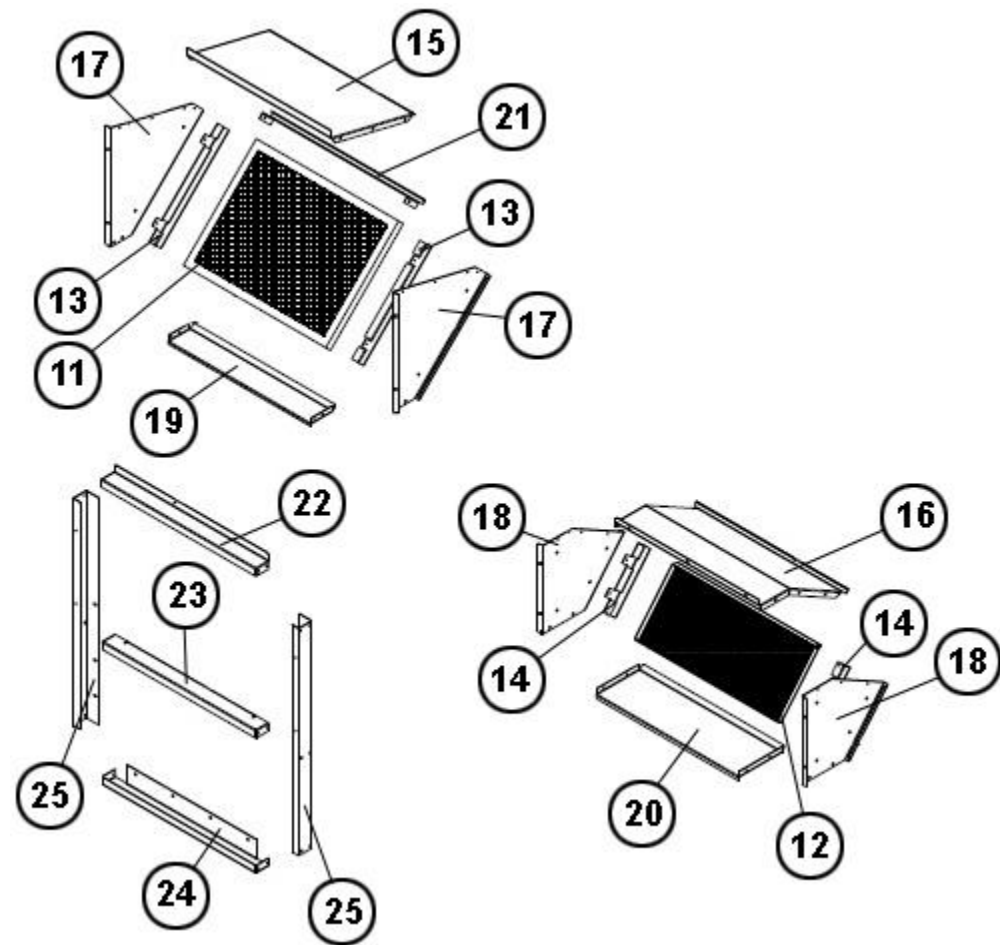
Parts List
27-October-2015

*This parts list is current as of the above revision date.
See <http://www.rheempartslists.net/92-42800-AXRD-01RCCAM3.pdf> for the current revision.*

No.	Notes	Part Description	Part No.
1		(3) Damper Blade with Seals - 24.938	PD955647
2		(1) Damper Blade with Seals - 24.938	PD955648
3		Barometric Relief Assembly	PD991279
4		Wiring Harness Kit	PD955607
5		Actuator Shaft Pin (3/8 in. x 3/8 in. x 4 1/8 in. long)	PD955608
6		OA Enthalpy Sensor (supplied with economizer)	PD955609
7		Jade Actuator: 44 in-lb. output, Spring Return, SY LK bus input signal, 24VAC power	PD955610
8		Jade Economizer Logic Module w/Heat Pump Input	PD955633
9		Discharge Air Sensor	PD955612
		Dual Enthalpy Upgrade Kit w/Literature	PD955613
11		(1) Permanent Filters (15.500 in. X 21.375 in.)	PD955614
12		(1) BR Rainhood - Bird Screen	PD955649H
13		(2) OA Rainhood - Filter Retainer	PD955650H
14		(2) BR Rainhood - Bird Screen Retainer	PD955651H
15		(1) OA Rainhood - Top	PD955652H
16		(1) BR Rainhood Assembly - Top	PD955653H
17		OA Rainhood Assembly - Hood Sides - Includes (1) Right and (1) Left	PD955654H
18		BR Rainhood Assembly - Hood Sides - Includes (1) Right and (1) Left	PD955655H
19		(1) OA Rainhood Assembly - Bottom	PD955656H
20		(1) BR Rainhood Assembly - Bottom	PD955657H
21		(1) OA Rainhood - Filter access	PD955658H
22		(1) Hood Extension - Top	PD955659H
23		(1) Hood Extension - Divider	PD955660H
24		(1) Hood Extension - Bottom	PD955661H
25		(2) Hood Extension - Sides (1)Right Side (1) Left Side	PD955662H
		Hardware Bag - I & O Manual, Wire Ties, Screws	PD955663
26		(Optional) Field Installed Wall Mounted CO2 sensor with 2-10 VDC input	470013
		Adapter Harness - 9 & 2 pin to 12 pin	PD955630
27		Smoke Detector Flex Model (-01RCCBM3 only)	N/A



AXRD-01RCCAM3 Assy



AXRD-01RCCAM3 Hood