



90TJ

Parts List
30-September-2014



*This parts list is current as of the above revision date.
See <http://www.rheempartslists.net/92-42803-90TJ.pdf> for the current revision.*

90% Gas Furnaces

Table of Contents

Model Explanation	Page 3
Parts Numbers	
Panels - Miscellaneous 04-07	Page 4
Panels - Miscellaneous 09-12	Page 5
Electrical Group	Page 6
Blower Group	Page 7
Heat Exchanger-Burner Group	Page 8
Gas Controls	Page 9
Orifice Selection Chart	Page 10
Drawings/Photographs	
Exploded View	Page 11
Horizontal Installation Parts	Page 12
Blower Assembly	Page 13
Burner Assembly	Page 14
Base Pan Gasket	Page 15
Notes/Disclaimer	Page 16

MODEL NUMBER EXPLANATION

9	0	T	J	-	0	4	E	E	S	0	1
(1)	(2)	(3)			(4)		(5)	(6)	(7)		

- | | |
|---|--|
| <p>(1) EFFICIENCY</p> <p>(2) TYPE
T= DOWNFLOW / HORIZONTAL CONDENSING</p> <p>(3) DESIGN SERIES</p> <p>(4) HEATING INPUT DESIGNATION
04= 45,000 BTU/HR
06= 60,000 BTU/HR
07= 75,000 BTU/HR
09= 90,000 BTU/HR
10= 105,000 BTU/HR
12= 120,000 BTU/HR</p> <p>E = ELECTRIC
N = NOX</p> | <p>(5) BLOWER DESIGNATION
E = STANDARD / 11 - 7
F = WIDE / 12 - 7
G = STANDARD / 12 - 11
H = STANDARD / 11 - 10
J = STANDARD / 12 - 11</p> <p>(6) FUEL DESIGNATION
S = NATURAL GAS</p> <p>(7) NAMEPLATE LABEL</p> |
|---|--|

SERIAL NUMBER EXPLANATION

G	E	5	D	7	0	7	F	2	2	9	6	9	9	9	9
(1)		(2)	(3)	(4)	(5)	(6)	(7)	(8)		(9)		(10)			

- | | |
|--|---|
| <p>(1) GAS CODE</p> <p>(2) LIMIT CONTROL</p> <p>(3) BLOWER</p> <p>(4) HEATING ELEMENT</p> <p>(5) SPECIAL AREA REQUIREMENT</p> | <p>(6) MOTOR HORSEPOWER</p> <p>(7) PLANT
F = Fort Sm</p> <p>(8) WEEK</p> <p>(9) YEAR</p> <p>(10) PRODUCTION NUMBER</p> |
|--|---|

No.	Notes	MODEL HEATING CAPACITY VARIATIONS	90TJ 04E	90TJ 04N	90TJ 06E	90TJ 06N	90TJ 07E	90TJ 07F	90TJ 07N
PANELS, SHEET METAL, MISCELLANEOUS									
1		Blower/Filter Door	AS-67890-08	AS-67890-08	AS-67890-08	AS-67890-08	AS-67890-08	AS-67891-08	AS-67891-08
2		Burner Door	AS-61866-08	AS-61866-08	AS-61866-08	AS-61866-08	AS-61866-08	AS-61867-08	AS-61867-08
3		Induced Draft Blower w/Gasket	See Electrical Group						
5		Connector/Transition	68-24047-10	68-24047-10	68-24047-10	68-24047-10	68-24047-10	68-24047-11	68-24047-11
6		Clear Vinyl Tube (Connector/Transition - Trap)	68-24131-01	68-24131-01	68-24131-01	68-24131-01	68-24131-01	68-24131-01	68-24131-01
7		Trap/Elbow Assembly	68-24048-01	68-24048-01	68-24048-01	68-24048-01	68-24048-01	68-24048-01	68-24048-01
8		Water Trap Mount Bracket	AE-61841-01	AE-61841-01	AE-61841-01	AE-61841-01	AE-61841-01	AE-61841-01	AE-61841-01
9		Hose Clamps (4)	64-22043-03	64-22043-03	64-22043-03	64-22043-03	64-22043-03	64-22043-03	64-22043-03
10		Clear Vinyl Tube (Center Panel - Trap)	68-24026-03	68-24026-03	68-24026-03	68-24026-03	68-24026-03	68-24026-03	68-24026-03
16		Rollout Switch Bracket (On Center Panel)	AE-61600-02	AE-61600-02	AE-61600-02	AE-61600-02	AE-61600-02	AE-61600-02	AE-61600-02
19		Heat Exchanger	See Heat Exchanger Group						
25		Silicone Tubing - Pressure Switch	AE-61737-27	AE-61737-27	AE-61737-27	AE-61737-27	AE-61737-27	AE-61737-27	AE-61737-27
26		Pressure Switch	See Electrical Group						
27		Button Plug - 1-5/8 in. opening	45-22980-02	45-22980-02	45-22980-02	45-22980-02	45-22980-02	45-22980-02	45-22980-02
27		Button Plug - 2 in. opening	45-22980-08	45-22980-08	45-22980-08	45-22980-08	45-22980-08	45-22980-08	45-22980-08
28		Door Angle	AS-67847-01	AS-67847-01	AS-67847-01	AS-67847-01	AS-67847-01	AS-67847-02	AS-67847-02
29		Grommet - 1-5/8 in. opening	56-22114-01	56-22114-01	56-22114-01	56-22114-01	56-22114-01	56-22114-01	56-22114-01
29		Grommet - 2 in. opening	56-22114-06	56-22114-06	56-22114-06	56-22114-06	56-22114-06	56-22114-06	56-22114-06
30		Outlet Pipe Gasket	68-24022-02	68-24022-02	68-24022-02	68-24022-02	68-24022-02	68-24022-02	68-24022-02
31		Outlet Pipe Assembly	68-24150-01	68-24150-01	68-24150-01	68-24150-01	68-24150-01	68-24150-01	68-24150-01
32		Jacket	AS-67824-12	AS-67824-12	AS-67824-12	AS-67824-12	AS-67824-12	AS-67824-14	AS-67824-14
33		Top Plate	AE-67805-02	AE-67805-02	AE-67805-02	AE-67805-02	AE-67805-02	AE-67805-03	AE-67805-03
34		Inlet Air Chase Assembly	AS-67848-01	AS-67848-01	AS-67848-01	AS-67848-01	AS-67848-01	AS-67848-01	AS-67848-01
35		Inlet Air Chase Gasket	68-24022-01	68-24022-01	68-24022-01	68-24022-01	68-24022-01	68-24022-01	68-24022-01
36		Button Plug - 1-5/8 in. opening	45-22980-02	45-22980-02	45-22980-02	45-22980-02	45-22980-02	45-22980-02	45-22980-02
36		Button Plug - 2 in. opening	45-22980-08	45-22980-08	45-22980-08	45-22980-08	45-22980-08	45-22980-08	45-22980-08
37		Junction Box Cover	AE-61476-02	AE-61476-02	AE-61476-02	AE-61476-02	AE-61476-02	AE-61476-02	AE-61476-02
38		Junction Box	AE-67825-01	AE-67825-01	AE-67825-01	AE-67825-01	AE-67825-01	AE-67825-01	AE-67825-01
39		Door Switch - Push Button	See Electrical Group						
49		Transformer w/Fuse	See Electrical Group						

No.	Notes	MODEL HEATING CAPACITY VARIATIONS	90TJ 04E	90TJ 04N	90TJ 06E	90TJ 06N	90TJ 07E	90TJ 07F	90TJ 07N
HORIZONTAL INSTALLATION PARTS									
9		Hose Clamps (4)	64-22043-03	64-22043-03	64-22043-03	64-22043-03	64-22043-03	64-22043-03	64-22043-03
10		Clear Vinyl Tube (Center Panel - Trap)	68-24026-03	68-24026-03	68-24026-03	68-24026-03	68-24026-03	68-24026-03	68-24026-03
11		Elbow (Connector/Transition - Trap)	68-24121-01	68-24121-01	68-24121-01	68-24121-01	68-24121-01	68-24121-01	68-24121-01
12		Trap Assembly - Before F3906	68-24120-01	68-24120-01	68-24120-01	68-24120-01	68-24120-01	68-24120-01	68-24120-01
12		Trap Assembly - After F3906	68-24120-02	68-24120-02	68-24120-02	68-24120-02	68-24120-02	68-24120-02	68-24120-02
13		Trap Gasket	68-24123-01	68-24123-01	68-24123-01	68-24123-01	68-24123-01	68-24123-01	68-24123-01
14		Hole Plugs (2)	45-24125-01	45-24125-01	45-24125-01	45-24125-01	45-24125-01	45-24125-01	45-24125-01

No.	Notes	MODEL HEATING CAPACITY BLOWER DESIGNATION	90TJ ALL ALL						
PARTS BAG									
		Complete Parts Bag	AS-100717-03						
		1/2 in. PVC Pipe - 4 in.	68-22024-04						
		1/2 in. Tee	68-21980-02						
		PVC Vane	68-23473-01						
		PVC Wind Vane - 2-1/2 in.	68-24049-01						
		Drain Tube - 6-3/4 in.	68-24026-04						
		Elbow	68-24121-01						
9		Hose Clamps (2)	64-22043-03						
12		Trap Assembly - Before F3906	68-24120-01						
12		Trap Assembly - After F3906	68-24120-02						
13		Trap Gasket	68-24123-01						
14		Hole Plug (2)	45-24125-01						

No.	Notes	MODEL HEATING CAPACITY VARIATIONS	90TJ 09E J	90TJ 10E G	90TJ 10N G	90TJ 12E H	90TJ 12N H	
PANELS, SHEET METAL, MISCELLANEOUS								
1		Blower/Filter Door	AS-67891-08	AS-67891-08	AS-67891-08	AS-67892-08	AS-67892-08	
2		Burner Door	AS-61867-08	AS-61867-08	AS-61867-08	AS-61868-08	AS-61868-08	
3		Induced Draft Blower w/Gasket	See Electrical Group					
5		Connector/Transition	68-24047-11	68-24047-11	68-24047-11	68-24047-12	68-24047-12	
6		Clear Vinyl Tube (Connector/Transition - Trap)	68-24131-01	68-24131-01	68-24131-01	68-24131-01	68-24131-01	
7		Trap/Elbow Assembly	68-24048-01	68-24048-01	68-24048-01	68-24048-01	68-24048-01	
8		Water Trap Mount Bracket	AE-61841-01	AE-61841-01	AE-61841-01	AE-61841-01	AE-61841-01	
9		Hose Clamps (4)	64-22043-03	64-22043-03	64-22043-03	64-22043-03	64-22043-03	
10		Clear Vinyl Tube (Center Panel - Trap)	68-24026-03	68-24026-03	68-24026-03	68-24026-03	68-24026-03	
16		Rollout Switch Bracket (On Center Panel)	AE-61600-02	AE-61600-02	AE-61600-02	AE-61600-02	AE-61600-02	
19		Heat Exchanger	See Heat Exchanger Group					
25		Silicone Tubing - Pressure Switch	AE-61737-27	AE-61737-27	AE-61737-27	AE-61737-27	AE-61737-27	
26		Pressure Switch	See Electrical Group					
27		Button Plug - 1-5/8 in. opening	45-22980-02	45-22980-02	45-22980-02	45-22980-02	45-22980-02	
27		Button Plug - 2 in. opening	45-22980-08	45-22980-08	45-22980-08	45-22980-08	45-22980-08	
28		Door Angle	AS-67847-02	AS-67847-02	AS-67847-02	AS-67847-03	AS-67847-03	
29		Grommet - 1-5/8 in. opening	56-22114-01	56-22114-01	56-22114-01	56-22114-01	56-22114-01	
29		Grommet - 2 in. opening	56-22114-06	56-22114-06	56-22114-06	56-22114-06	56-22114-06	
30		Outlet Pipe Gasket	68-24022-02	68-24022-02	68-24022-02	68-24022-02	68-24022-02	
31		Outlet Pipe Assembly	68-24150-01	68-24150-01	68-24150-01	68-24150-02	68-24150-02	
32		Jacket	AS-67824-13	AS-67824-13	AS-67824-13	AS-67824-15	AS-67824-15	
33		Top Plate	AE-67805-03	AE-67805-03	AE-67805-03	AE-67805-04	AE-67805-04	
34		Inlet Air Chase Assembly	AS-67848-01	AS-67848-01	AS-67848-01	AS-67848-01	AS-67848-01	
35		Inlet Air Chase Gasket	68-24022-01	68-24022-01	68-24022-01	68-24022-01	68-24022-01	
36		Button Plug - 1-5/8 in. opening	45-22980-02	45-22980-02	45-22980-02	45-22980-02	45-22980-02	
36		Button Plug - 2 in. opening	45-22980-08	45-22980-08	45-22980-08	45-22980-08	45-22980-08	
37		Junction Box Cover	AE-61476-02	AE-61476-02	AE-61476-02	AE-61476-02	AE-61476-02	
38		Junction Box	AE-67825-01	AE-67825-01	AE-67825-01	AE-67825-01	AE-67825-01	
39		Door Switch - Push Button	See Electrical Group					
49		Transformer w/Fuse	See Electrical Group					

No.	Notes	MODEL HEATING CAPACITY VARIATIONS	90TJ 09E J	90TJ 10E G	90TJ 10N G	90TJ 12E H	90TJ 12N H
HORIZONTAL INSTALLATION PARTS							
9		Hose Clamps (4)	64-22043-03	64-22043-03	64-22043-03	64-22043-03	64-22043-03
10		Clear Vinyl Tube (Center Panel - Trap)	68-24026-03	68-24026-03	68-24026-03	68-24026-03	68-24026-03
11		Elbow (Connector/Transition - Trap)	68-24121-01	68-24121-01	68-24121-01	68-24121-01	68-24121-01
12		Trap Assembly - Before F3906	68-24120-01	68-24120-01	68-24120-01	68-24120-01	68-24120-01
12		Trap Assembly - After F3906	68-24120-02	68-24120-02	68-24120-02	68-24120-02	68-24120-02
13		Trap Gasket	68-24123-01	68-24123-01	68-24123-01	68-24123-01	68-24123-01
14		Hole Plugs (2)	45-24125-01	45-24125-01	45-24125-01	45-24125-01	45-24125-01

No.	Notes	MODEL HEATING CAPACITY BLOWER DESIGNATION	90TJ ALL ALL				
PARTS BAG							
		Complete Parts Bag	AS-100717-03				
		1/2 in. PVC Pipe - 4 in.	68-22024-04				
		1/2 in. Tee	68-21980-02				
		PVC Vane	68-23473-01				
		PVC Wind Vane - 2-1/2 in.	68-24049-01				
		Drain Tube - 6-3/4 in.	68-24026-04				
		Elbow	68-24121-01				
9		Hose Clamps (2)	64-22043-03				
12		Trap Assembly - Before F3906	68-24120-01				
12		Trap Assembly - After F3906	68-24120-02				
13		Trap Gasket	68-24123-01				
14		Hole Plug (2)	45-24125-01				

No.	Notes	MODEL HEATING CAPACITY VARIATIONS	90TJ 04E	90TJ 04N	90TJ 06E	90TJ 06N	90TJ 07E	90TJ 07E	90TJ 07N	
ELECTRICAL GROUP										
3	Stk	Induced Draft Blower w/Gasket	70-24033-01	70-24033-01	70-24033-01	70-24033-01	70-24033-01	70-24033-01	70-24033-01	
4		Gasket - Induced Draft Blower	68-24016-01	68-24016-01	68-24016-01	68-24016-01	68-24016-01	68-24016-01	68-24016-01	
17	Stk	Limit - Manual Reset (Burner Compartment) - on Center Panel	47-22861-01	47-22861-01	47-22861-01	47-22861-01	47-22861-01	47-22861-01	47-22861-01	
18	Stk	Limit - Main Limit (Heat Exchanger Panel)	47-25350-09	47-25350-09	47-25350-07	47-25350-07	47-25350-01	47-25350-09	47-25350-09	
26	Stk	Pressure Switch	42-24196-01	42-24196-01	42-24196-04	42-24196-04	42-24196-01	42-24196-01	42-24196-01	
39		Door Switch - Push Button	42-22692-02	42-22692-02	42-22692-02	42-22692-02	42-22692-02	42-22692-02	42-22692-02	
40		Wire Harness - 4 pin to 3 terminals (2 eyelet/1 straight/1 strip wire), 4 wires	45-24371-41	45-24371-41	45-24371-41	45-24371-41	45-24371-41	45-24371-41	45-24371-41	
41		Wire Harness - 9 pin to (9 pin/4 pin), 8 wires	45-24371-28	45-24371-28	45-24371-28	45-24371-28	45-24371-28	45-24371-28	45-24371-28	
42		Wire Harness - 6 pin to 6 pin/4 terminals, 7 wires	45-24371-30	45-24371-30	45-24371-30	45-24371-30	45-24371-30	45-24371-30	45-24371-30	
43		Wire Harness (After F1702) - Twist-Lock: 9 pin to eight terminals and 6 pin to 4 pin/2 pin, 14 wires	45-24393-04	45-24393-04	45-24393-04	45-24393-04	45-24393-04	45-24393-04	45-24393-04	
43		Wire Harness (Before F1702) - 9 pin to eight terminals and 6 pin to 4 pin/2 pin, 14 wires	45-24090-04	45-24090-04	45-24090-04	45-24090-04	45-24090-04	45-24090-04	45-24090-04	
49	Stk	Transformer w/Fuse	46-24124-03	46-24124-03	46-24124-03	46-24124-03	46-24124-03	46-24124-03	46-24124-03	
		Transformer Fuse (Short - 1/2 in.)	46-22863-82	46-22863-82	46-22863-82	46-22863-82	46-22863-82	46-22863-82	46-22863-82	
		Transformer Fuse (Long 1-1/4 in.)	46-22863-84	46-22863-84	46-22863-84	46-22863-84	46-22863-84	46-22863-84	46-22863-84	
51		Integrated Furnace Control Board (IFC)	See Gas Controls							
52	Stk	Capacitor - Induced Draft Blower	43-20847-43	43-20847-43	43-20847-43	43-20847-43	43-20847-43	43-20847-43	43-20847-43	
54	Stk	Limit - Heat Assisted (Blower Housing)	47-22860-02	47-22860-02	47-22860-02	47-22860-02	47-22860-01	47-22860-02	47-22860-02	
58		Limit - Manual Reset (Burner Compartment) - on Burner Support	47-22861-02 (1)	47-22861-02 (1)	47-22861-02 (2)	47-22861-02 (2)	47-22861-02 (2)	47-22861-02 (2)	47-22861-02 (2)	

No.	Notes	MODEL HEATING CAPACITY VARIATIONS	90TJ 09E	90TJ 10E	90TJ 10N	90TJ 12E	90TJ 12N			
ELECTRICAL GROUP										
3	Stk	Induced Draft Blower w/Gasket	70-24033-01	70-24033-01	70-24033-01	70-24033-01	70-24033-01			
4		Gasket - Induced Draft Blower	68-24016-01	68-24016-01	68-24016-01	68-24016-01	68-24016-01			
17	Stk	Limit - Manual Reset (Burner Compartment) - on Center Panel	47-22861-01	47-22861-01	47-22861-01	47-22861-01	47-22861-01			
18	Stk	Limit - Main Limit (Heat Exchanger Panel)	47-25350-10	47-25350-06	47-25350-06	47-25350-06	47-25350-06			
26	Stk	Pressure Switch	42-24196-04	42-24196-03	42-24196-03	42-24196-02	42-24196-02			
39		Door Switch - Push Button	42-22692-02	42-22692-02	42-22692-02	42-22692-02	42-22692-02			
40		Wire Harness - 4 pin to 3 terminals (2 eyelet/1 straight/1 strip wire), 4 wires	45-24371-41	45-24371-41	45-24371-41	45-24371-41	45-24371-41			
41		Wire Harness - 9 pin to (9 pin/4 pin), 8 wires	45-24371-28	45-24371-28	45-24371-28	45-24371-28	45-24371-28			
42		Wire Harness - 6 pin to 6 pin/4 terminals, 7 wires	45-24371-30	N/A	N/A	45-24371-30	45-24371-30			
43		Wire Harness (After F1702) - Twist-Lock: 9 pin to eight terminals and 6 pin to 4 pin/2 pin, 14 wires	45-24393-04	45-24393-04	45-24393-04	45-24393-04	45-24393-04			
		Wire Harness (Before F1702) - 9 pin to eight terminals and 6 pin to 4 pin/2 pin, 14 wires	45-24090-04	45-24090-04	45-24090-04	45-24090-04	45-24090-04			
49	Stk	Transformer w/Fuse	46-24124-03	46-24124-03	46-24124-03	46-24124-03	46-24124-03			
		Transformer Fuse (Short - 1/2 in.)	46-22863-82	46-22863-82	46-22863-82	46-22863-82	46-22863-82			
		Transformer Fuse (Long 1-1/4 in.)	46-22863-84	46-22863-84	46-22863-84	46-22863-84	46-22863-84			
51		Integrated Furnace Control Board (IFC)	See Gas Controls							
52	Stk	Capacitor - Induced Draft Blower	43-20847-43	43-20847-43	43-20847-43	43-20847-43	43-20847-43			
54	Stk	Limit - Heat Assisted (Blower Housing)	47-22860-02	47-22860-05	47-22860-05	47-22860-03	47-22860-03			
58	Stk	Limit - Manual Reset (Burner Compartment) - on Burner Support	47-22861-02 (2)	47-22861-02 (2)	47-22861-02 (2)	47-22861-02 (2)	47-22861-02 (2)			

No.	Notes	MODEL HEATING CAPACITY VARIATIONS	90TJ 04E E	90TJ 04N E	90TJ 06E E	90TJ 06N E	90TJ 07E E	90TJ 07E F	90TJ 07N F
BLOWER GROUP									
44	Stk	Blower Assembly (Includes items 45-48, 53)	AS-61697-38	AS-61697-38	AS-61697-93	AS-61697-93	AS-61697-93	AS-61697-95	AS-61697-95
45		Motor Mount Leg (4)	AE-61698-02	AE-61698-02	AE-61698-02	AE-61698-02	AE-61698-02	AE-61698-02	AE-61698-02
46	Stk	Blower Motor	51-26141-01	51-26141-01	51-24144-01	51-24144-01	51-24144-01	51-24146-01	51-24146-01
47		Blower Housing	AS-61674-14	AS-61674-14	AS-61674-14	AS-61674-14	AS-61674-14	AS-61674-14	AS-61674-14
48	Stk	Blower Wheel	70-22688-01	70-22688-01	70-22688-01	70-22688-01	70-22688-01	70-24119-01	70-24119-01
50		Control Mounting Plate	AE-67877-01	AE-67877-01	AE-67877-01	AE-67877-01	AE-67877-01	AE-67877-01	AE-67877-01
51		Integrated Furnace Control Board (IFC)	See Gas Controls						
52		Capacitor - Induced Draft Blower	See Electrical Group						
53	Stk	Capacitor - Blower Motor	43-100509-42	43-100509-42	43-100509-42	43-100509-42	43-100509-42	43-21298-43	43-21298-43
54		Limit - Heat Assisted (Blower Housing)	See Electrical Group						

No.	Notes	MODEL HEATING CAPACITY VARIATIONS	90TJ 09E J	90TJ 10E G	90TJ 10N G	90TJ 12E H	90TJ 12N H		
BLOWER GROUP									
44	Stk	Blower Assembly (Includes items 45-48, 53)	AS-61697-96	AS-61697-97	AS-61697-97	AS-61697-99	AS-61697-99		
45		Motor Mount Leg (4)	AE-61698-02	AE-61698-02	AE-61698-02	AE-61698-02	AE-61698-02		
46	Stk	Blower Motor	51-24145-01	51-24146-01	51-24146-01	51-24146-01	51-24146-01		
47		Blower Housing	AS-61674-15	AS-61674-15	AS-61674-15	AS-61674-16	AS-61674-16		
48	Stk	Blower Wheel	70-24041-01	70-24041-01	70-24041-01	70-20602-01	70-20602-01		
50		Control Mounting Plate	AE-67877-01	AE-67877-01	AE-67877-01	AE-67877-01	AE-67877-01		
51		Integrated Furnace Control Board (IFC)	See Gas Controls						
52		Capacitor - Induced Draft Blower	See Electrical Group						
53	Stk	Capacitor - Blower Motor	43-21298-43	43-21298-43	43-21298-43	43-21298-43	43-21298-43		
54		Limit - Heat Assisted (Blower Housing)	See Electrical Group						

No.	Notes	MODEL HEATING CAPACITY VARIATIONS	90TJ 04E	90TJ 04N	90TJ 06E	90TJ 06N	90TJ 07E	90TJ 07E	90TJ 07N		
HEAT EXCHANGER, BURNER / MANIFOLD											
17		Limit - Manual Reset (Burner Compartment) - on Center Panel	See Electrical Group								
18		Limit - Main Limit (Heat Exchanger Panel)	See Electrical Group								
19	Stk	Heat Exchanger	AS-67818-22	AS-67818-22	AS-67818-23	AS-67818-23	AS-67818-24	AS-67818-26	AS-67818-26		
20		Baffle	AE-61876-01	AE-61876-01	AE-61875-01	AE-61875-01	AE-61875-01	AE-61876-01	AE-61876-01		
21		Rear Baffle	AE-61878-01	AE-61878-01	AE-61878-01	AE-61878-01	AE-61878-01	AE-61878-02	AE-61878-02		
22		Baffle	AE-61876-02	AE-61876-02	AE-61875-02	AE-61875-02	AE-61875-02	AE-61876-02	AE-61876-02		
		Blower Shelf Baffle	N/A	N/A	N/A	N/A	N/A	AE-67845-01	AE-67845-01		
23		Heat Exchanger Bracket	AE-67846-02	AE-67846-02	AE-67846-02	AE-67846-02	AE-67846-02	AE-67846-02	AE-67846-02		
24		Heat Exchanger Bracket	AE-61959-01	AE-61959-01	AE-61959-01	AE-61959-01	AE-61959-01	AE-61959-01	AE-61959-01		
55	Stk	Burners - Before F1799	75-24001-01 (3)	75-24001-01 (4)	75-24001-01 (5)	75-24001-01 (5)	75-24001-01 (5)	75-24001-01 (5)	75-24001-01 (5)		
55	Stk	Burner (Halves Assembly) - After F1799	AS-61984-03	AS-61984-03	AS-61984-04	AS-61984-04	AS-61984-05	AS-61984-05	AS-61984-05		
56		Burner Support Bracket (2)	AE-61808-01	AE-61808-01	AE-61808-01	AE-61808-01	AE-61808-01	AE-61808-01	AE-61808-01		
57		Burner Support - Before F1799	AE-61809-01	AE-61809-01	AE-61809-02	AE-61809-02	AE-61809-03	AE-61809-03	AE-61809-03		
57		Burner Support - After F1799	AE-61809-11	AE-61809-11	AE-61809-12	AE-61809-12	AE-61809-13	AE-61809-13	AE-61809-13		
58		Limit Control (On Burner Support)	See Electrical Group								
59	Stk	Manifold (w/o Orifices) - Before F1906	81-101151-01	81-101151-01	81-101151-02	81-101151-02	81-101151-03	81-101151-03	81-101151-03		
59	Stk	Manifold (w/o Orifices) - After F1906	81-24396-01	81-24396-01	81-24396-02	81-24396-02	81-24396-03	81-24396-03	81-24396-03		
		NOX Burner Inserts	N/A	AE-67863-01 (2)	N/A	AE-67863-01 (3)	N/A	N/A	AE-67863-01 (4)		
		NOX Retaining Bracket	N/A	AE-67864-06	N/A	AE-67864-01	N/A	N/A	AE-67864-02		
		Burner Orifice - Natural Gas	See Orifice Selection Chart								
		Burner Orifice - LP	See Orifice Selection Chart								
		Number of Orifices	(3)	(3)	(4)	(4)	(5)	(5)	(5)		

No.	Notes	MODEL HEATING CAPACITY VARIATIONS	90TJ 09E	90TJ 10E	90TJ 10N	90TJ 12E	90TJ 12N				
HEAT EXCHANGER, BURNER / MANIFOLD											
17		Limit - Manual Reset (Burner Compartment) - on Center Panel	See Electrical Group								
18		Limit - Main Limit (Heat Exchanger Panel)	See Electrical Group								
19	Stk	Heat Exchanger	AS-67818-25	AS-67818-27	AS-67818-27	AS-67818-28	AS-67818-28				
20		Baffle	AE-61875-01	AE-61875-01	AE-61875-01	AE-61875-01	AE-61875-01				
21		Rear Baffle	AE-61878-02	AE-61878-02	AE-61878-02	AE-61878-03	AE-61878-03				
22		Baffle	AE-61875-02	AE-61875-02	AE-61875-02	AE-61875-02	AE-61875-02				
		Blower Shelf Baffle	N/A	N/A	N/A	AE-67845-01	AE-67845-01				
23		Heat Exchanger Bracket	AE-67846-02	AE-67846-02	AE-67846-02	AE-67846-02	AE-67846-02				
24		Heat Exchanger Bracket	AE-61959-01	AE-61959-01	AE-61959-01	AE-61959-01	AE-61959-01				
55	Stk	Burners - Before F1799	75-24001-01 (6)	75-24001-01 (7)	75-24001-01 (7)	75-24001-01 (8)	75-24001-01 (8)				
55	Stk	Burner (Halves Assembly) - After F1799	AS-61984-06	AS-61984-07	AS-61984-07	AS-61984-08	AS-61984-08				
56		Burner Support Bracket (2)	AE-61808-01	AE-61808-01	AE-61808-01	AE-61808-01	AE-61808-01				
57		Burner Support - Before F1799	AE-61809-04	AE-61809-05	AE-61809-05	AE-61809-06	AE-61809-06				
57		Burner Support - After F1799	AE-61809-14	AE-61809-15	AE-61809-15	AE-61809-16	AE-61809-16				
58		Limit Control (On Burner Support)	See Electrical Group								
59	Stk	Manifold (w/o Orifices) - Before F1906	81-101151-04	81-101151-05	81-101151-05	81-101151-06	81-101151-06				
59	Stk	Manifold (w/o Orifices) - After F1906	81-24396-04	81-24396-05	81-24396-05	81-24396-06	81-24396-06				
		NOX Burner Inserts	N/A	N/A	AE-67863-01 (6)	N/A	AE-67863-01 (7)				
		NOX Retaining Bracket	N/A	N/A	AE-67864-04	N/A	AE-67864-05				
		Burner Orifice - Natural Gas	See Orifice Selection Chart								
		Burner Orifice - LP	See Orifice Selection Chart								
		Number of Orifices	(6)	(7)	(7)	(8)	(8)				

No.	Notes	MODEL GAS CODE	90TJ EB	90TJ EC	90TJ FW	90TJ FX
GAS CONTROLS						
51	Stk	Integrated Furnace Control Board (IFC)	62-24268-01	62-24268-01	62-24192-01	62-24192-01
61	Stk	Gas Valve - Natural Gas	60-22866-01	60-23490-01	60-23490-01	60-22866-01
61	Stk,1	Gas Valve - LP	See Note 1	See Note 1	See Note 1	See Note 1
62		Ignitor Shield	AE-61627-01	AE-61627-01	AE-61627-01	AE-61627-01
63	Stk	Ignitor	62-22868-02	62-22868-02	62-22868-02	62-22868-02
64		Ignitor Bracket	AE-61581-01	AE-61581-01	AE-61581-01	AE-61581-01
65	Stk	Flame Sensor	62-23543-01	62-23543-01	62-23543-01	62-23543-01
LP Conversion Kit:						
	Stk	U.S. Models 0-8000'	FP-02	FP-02	FP-02	FP-02
	Stk	Canadian Models 0-4500'	FP-05	FP-05	FP-05	FP-05
	Stk	U.S. Models 8000'+	FP-03	FP-03	FP-03	FP-03

No.	Notes	MODEL GAS CODE	90TJ GA	90TJ GC	90TJ GE	90TJ GF
GAS CONTROLS						
51	Stk	Integrated Furnace Control Board (IFC)	62-24268-02	62-24268-02	62-24268-02	62-24192-01
Stk	Stk	Gas Valve - Natural Gas	60-22866-01	60-23490-01	60-100394-01	60-100394-01
Stk, 1	Stk,1	Gas Valve - LP	See Note 1	See Note 1	See Note 1	See Note 1
62		Ignitor Shield	AE-61627-01	AE-61627-01	AE-61627-01	AE-61627-01
63	Stk	Ignitor	62-22868-02	62-22868-02	62-22868-02	62-22868-02
64		Ignitor Bracket	AE-61581-01	AE-61581-01	AE-61581-01	AE-61581-01
65	Stk	Flame Sensor	62-23543-01	62-23543-01	62-23543-01	62-23543-01
LP Conversion Kit:						
	Stk	U.S. Models 0-8000'	FP-02	FP-02	FP-02	FP-02
	Stk	Canadian Models 0-4500'	FP-05	FP-05	FP-05	FP-05
	Stk	U.S. Models 8000'+	FP-03	FP-03	FP-03	FP-03

90% GAS FURNACE - ORIFICE SELECTION CHART - NATURAL GAS

CAUTION: Selection of the correct Natural Gas Orifice requires the following information for the specific installation:

- 1) Altitude in of the installation (ft.).
- 2) Average energy content of the Natural Gas fuel from the local supplier (BTU/cu. ft.).

For detailed information and instructions for Orifice selection, see the Gas Furnace LP Conversion Kit Index 92-21519-59 and the latest edition of the National Fuel Gas Code Handbook, or the National Standard of Canada, Natural Gas and Propane Installation Code, CAN B149.1.

CAUTION: This information is provided for replacement purposes only. Conversion for operation at High Altitude must be done using the kit specified on the product specification sheet for the unit.

NOTE: This Orifice sizing chart is based on 15,000 BTU/HR per burner.

NOTE: Factory installed orifices are calculated and sized based on a Natural Gas heating value of 1075 BTU/cu. ft. and an elevation of 0 - 2000 ft.

Energy Value (BTU/cu. ft.)	Elevation (ft.)							
	0 - 1999	2000 - 2999	3000 - 3999	4000 - 4999	5000 - 5999	6000 - 6999	7000 - 7999	8000 - 8999
850	62-22175-47	62-22175-48	62-22175-48	62-22175-49	62-22175-49	62-22175-49	62-22175-50	62-22175-50
900	62-22175-48	62-22175-49	62-22175-49	62-22175-49	62-22175-50	62-22175-50	62-22175-50	62-22175-51
975	62-22175-49	62-22175-50	62-22175-50	62-22175-50	62-22175-51	62-22175-51	62-22175-51	62-22175-52
1075	62-22175-50	62-22175-51	62-22175-51	62-22175-51	62-22175-51	62-22175-52	62-22175-52	62-22175-52
1170	62-22175-51	62-22175-51	62-22175-52	62-22175-52	62-22175-52	62-22175-53	62-22175-53	62-22175-53

90% GAS FURNACE - ORIFICE SELECTION CHART - LP

CAUTION: Selection of the correct LP Orifice requires the altitude of the specific installation (ft.).

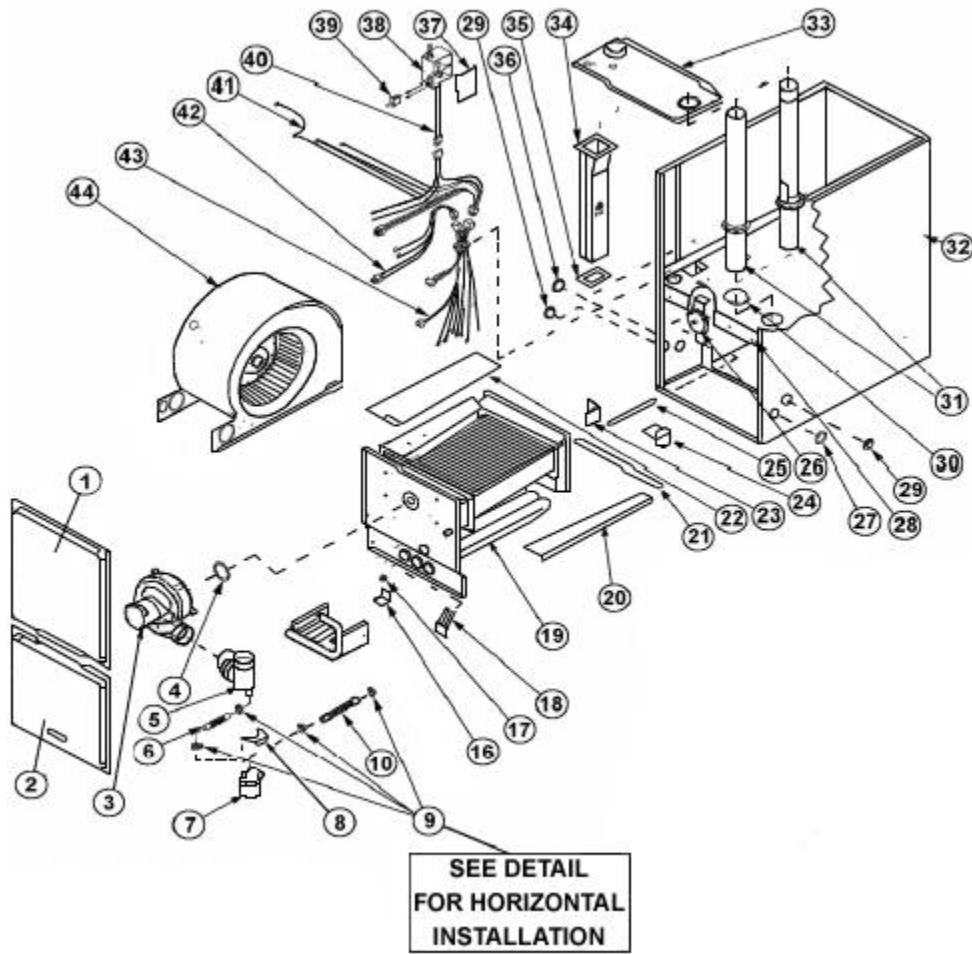
For detailed information and instructions for Orifice selection, see the Gas Furnace LP Conversion Kit Index 92-21519-59 and the latest edition of the National Fuel Gas Code Handbook (NFG), or the National Standard of Canada, Natural Gas and Propane Installation Code, CAN B149.1.

CAUTION: This information is provided for replacement purposes only. Conversion to LP or for operation at High Altitude should be done using the kit(s) specified on the product specification sheet for the unit.

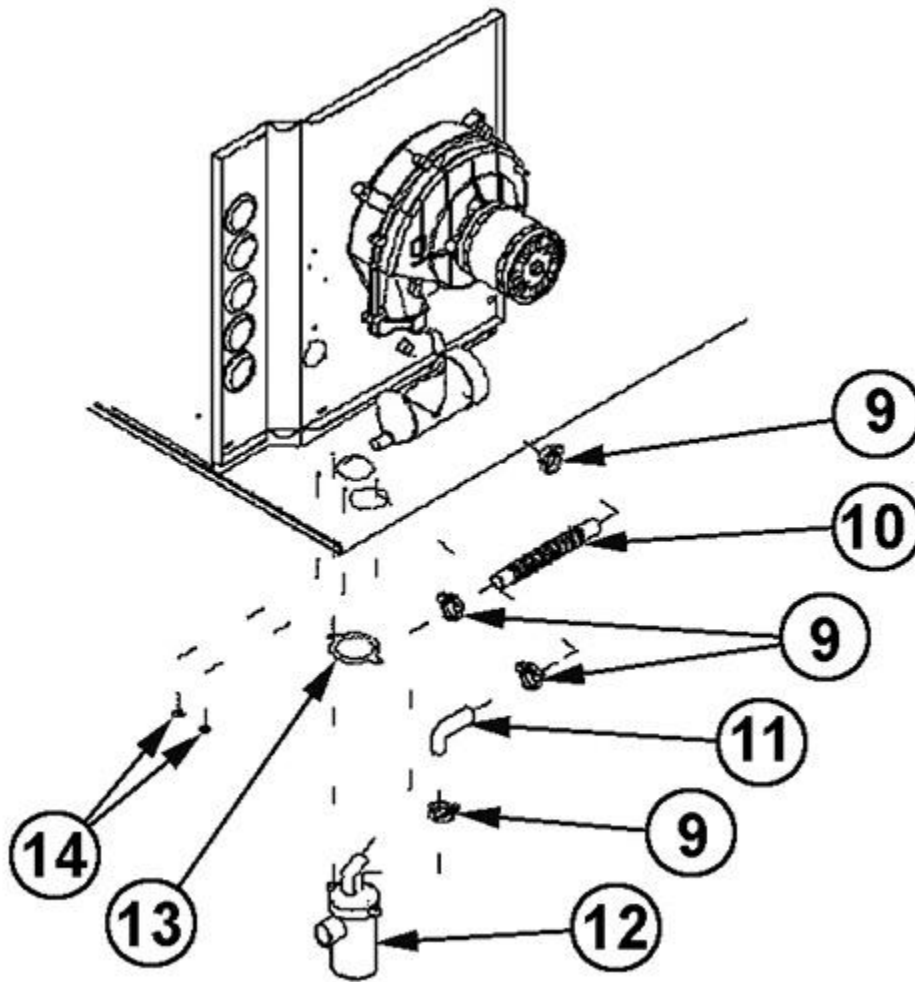
NOTE: This Orifice sizing chart is based on 15,000 BTU/HR per burner. Also, the chart is developed using the specified pressure setting of 10 in. water column instead of the 11.0 in water column used by the NFG and CANB149.1.

NOTE: Orifices supplied in the LP Conversion Kit are calculated and sized based on an altitude of 0 - 2000 ft.

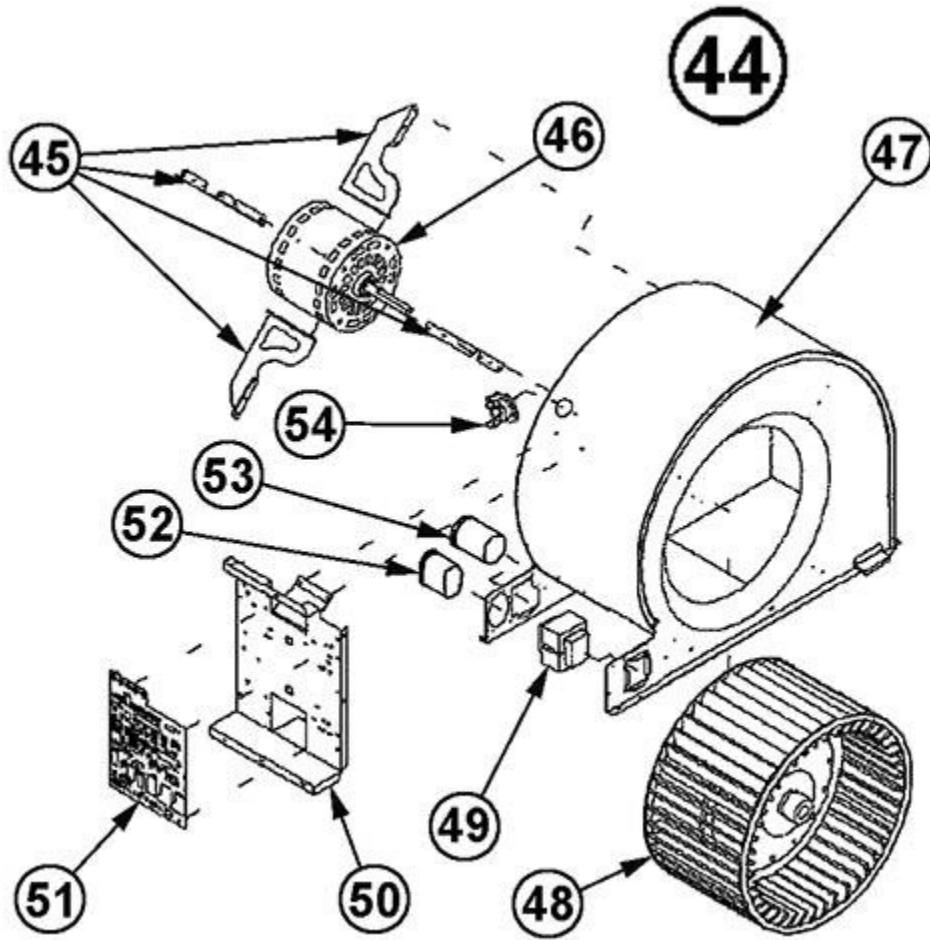
Elevation (ft.)	Orifice							
0 to 2000 ft.	62-22175-91							
2001 to 3000	62-22175-91							
3001 to 4000	62-22175-90							
4001 to 5000	62-22175-58							
5001 to 6000	62-22175-59							
6001 to 7000	62-22175-60							
7001 to 8000	62-22175-62							
8001 to 9000	62-22175-63							
9001 to 1000	62-22175-64							



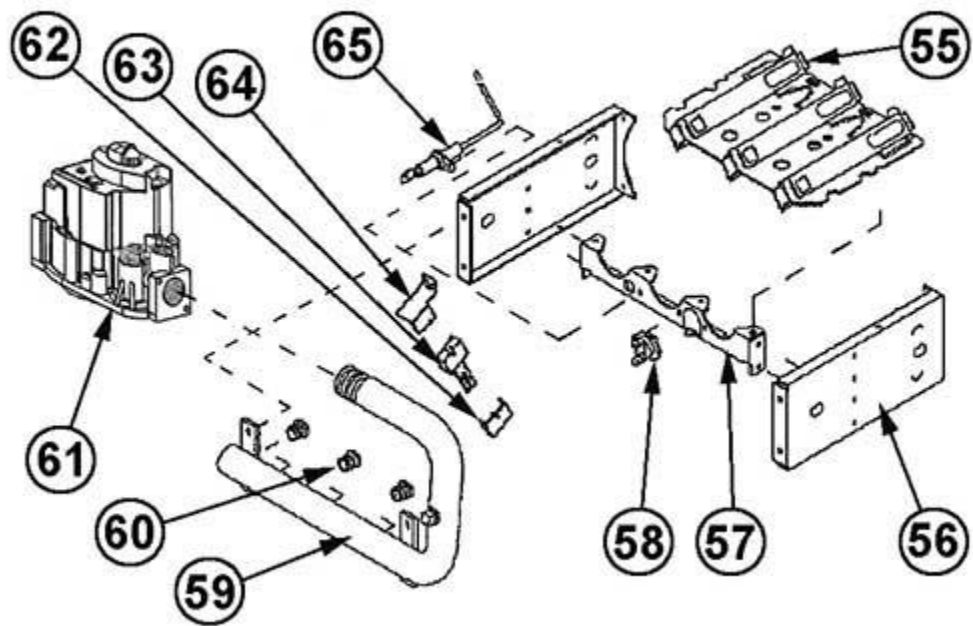
Exploded View



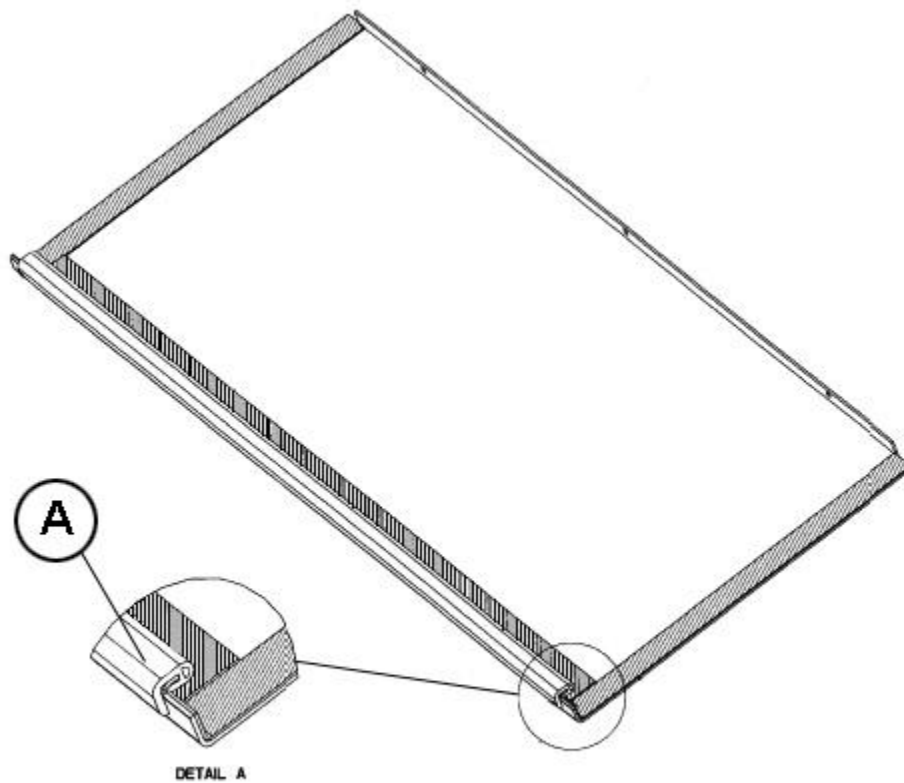
Horizontal Installation Parts



Blower Assembly



Burner Assembly



Base Pan Gasket

NOTES

Stk It is recommended that stock be maintained for this part.
N/A Not Applicable
1 Order Gas Valve for Natural Gas along with LP Conversion Kit.

DISCLAIMER: This document is intended to provide general replacement parts information to aid qualified service personnel in the repair of these models. The complete Model and Serial Number of the unit under repair should be specified when selecting and ordering replacement parts. Specifications and illustrations are subject to change without notice. Document 92-42803-90TJ supersedes all previous parts lists for these models. See <http://www.rheempartslists.net/92-42803-90TJ> for the latest revision of this document. The manufacturer assumes no obligation for errors or omissions. Service personnel must verify the proper and safe operation of equipment after the replacement of any original components.