



80LJ

Parts List
29-August-2014



*This parts list is current as of the above revision date.
See <http://www.rheempartslists.net/92-42803-80LJ.pdf> for the current revision.*

80% Gas Furnaces

Table of Contents

Model Explanation	Page 3
Parts Numbers	
Panels - Miscellaneous	Page 4
Electrical Group	Page 5
Blower Group	Page 6
Heat Exchanger-Burner Group	Page 7
Gas Controls	Page 8
Orifice Selection Chart	Page 9
Drawings/Photographs	
Exploded View	Page 10
Blower Assembly	Page 11
Burner and Manifold Group	Page 11
NOX Insert Assembly	Page 12
Notes/Disclaimer	Page 13

MODEL NUMBER EXPLANATION

8	0	L	J	0	5	E	A	R	0	1
1	2	3		4			5	6	7	

- | | |
|---|---|
| <p>1 EFFICIENCY</p> <p>2 TYPE</p> <p>3 DESIGN SERIES
J= 2nd
Design
Series</p> <p>4 HEATING INPUT DESIGNATION
05 = 50,000 BTU/HR
07 = 75,000 BTU/HR
10 = 100,000 BTU/HR
12 = 125,0000 BTU/HR
15 = 150,000 BTU/HR</p> <p>E = Electric
N = NOX</p> | <p>5 BLOWER DESIGNATION
A = Standard / 11-6
B = Standard / 11-7
C = Wide / 11-10
D = Standard / 11-10</p> <p>6 FUEL DESIGNATION
R = Natural Gas</p> <p>7 NAMEPLATE LABEL</p> |
|---|---|

SERIAL NUMBER EXPLANATION

G	E	5	D	7	0	7	F	3	1	9	5	9	9	9	9
1	2	3	4	5	6	7		8		9				10	

- | | |
|--|--|
| <p>1 GAS CODE</p> <p>2 LIMIT CONTROL</p> <p>3 BLOWER</p> <p>4 HEATING ELEMENT</p> <p>5 SPECIAL AREA REQUIREMENT</p> | <p>6 MOTOR HORSEPOWER</p> <p>7 PLANT
F = Fort Smith, AR</p> <p>8 WEEK</p> <p>9 YEAR</p> <p>10 PRODUCTION NUMBER</p> |
|--|--|

No.	Notes	MODEL HEATING INPUT VARIATIONS	80LJ 05E A	80LJ 05N A	80LJ 07E B	80LJ 07N B	80LJ 07E A	80LJ 07N A	
PANELS, SHEET METAL, MISCELLANEOUS									
1		Burner Compartment Door	AE-61675-07	AE-61675-07	AE-61676-07	AE-61676-07	AE-61676-07	AE-61676-07	
2		Plug Button - 1-3/16 in. opening (2)	45-22980-01	45-22980-01	45-22980-01	45-22980-01	45-22980-01	45-22980-01	
3		Blower/Filter Door	AS-67893-07	AS-67893-07	AS-67894-07	AS-67894-07	AS-67894-07	AS-67894-07	
4		Door Switch - Push Button	42-22692-01	42-22692-01	42-22692-01	42-22692-01	42-22692-01	42-22692-01	
		Silicone Tubing - Pressure Switch	AE-61737-22	AE-61737-22	AE-61737-04	AE-61737-04	AE-61737-04	AE-61737-04	
5		Pressure Switch	See Electrical Group						
6		Junction Box	AE-61475-02	AE-61475-02	AE-61475-02	AE-61475-02	AE-61475-02	AE-61475-02	
7		Junction Box Cover	AE-61476-02	AE-61476-02	AE-61476-02	AE-61476-02	AE-61476-02	AE-61476-02	
		Flue Pipe	AE-66691-14	AE-66691-14	AE-66691-14	AE-66691-14	AE-66691-14	AE-66691-14	
		Flue Pipe Enclosure Assembly - (Includes Flue Pipe, Enclosure and Enclosure Door)	AS-100608-01	AS-100608-01	AS-100608-01	AS-100608-01	AS-100608-01	AS-100608-01	
		Rear Baffle	AE-66994-01	AE-66994-01	AE-66994-02	AE-66994-02	AE-66994-02	AE-66994-02	
8		Top Plate	AE-66981-01	AE-66981-01	AE-66981-02	AE-66981-02	AE-66981-02	AE-66981-02	
9		Limit - Heat Assisted (Blower Housing)	See Electrical Group						
10		Jacket	AS-66991-06	AS-66991-06	AS-66991-07	AS-66991-07	AS-66991-10	AS-66991-10	
11		Blower Assembly	See Blower Group						
12		Heat Exchanger Bracket	See Heat Exchanger Group						
13		Heat Exchanger	See Heat Exchanger Group						
14		Induced Draft Blower w/Gasket	See Electrical Group						
15		Limit - Main Limit (Heat Exchanger Panel)	See Electrical Group						
16		Rollout Switch Bracket	AE-61600-02	AE-61600-02	AE-61600-02	AE-61600-02	AE-61600-02	AE-61600-02	
17		Limit - Manual Reset (Burner Compartment)	See Electrical Group						
23		Control Mounting Plate	AE-67877-01	AE-67877-01	AE-67877-01	AE-67877-01	AE-67877-01	AE-67877-01	

No.	Notes	MODEL HEATING INPUT VARIATIONS	80LJ 10E C	80LJ 10E D	80LJ 10N D	80LJ 12E D	80LJ 12N D	80LJ 15E D	80LJ 15N D	
PANELS, SHEET METAL, MISCELLANEOUS										
1		Burner Compartment Door	AE-61677-07	AE-61677-07	AE-61677-07	AE-61678-07	AE-61678-07	AE-61678-07	AE-61678-07	
2		Plug Button - 1-3/16 in. opening (2)	45-22980-01	45-22980-01	45-22980-01	45-22980-01	45-22980-01	45-22980-01	45-22980-01	
3		Blower/Filter Door	AS-67895-07	AS-67895-07	AS-67895-07	AS-67896-07	AS-67896-07	AS-67896-07	AS-67896-07	
4		Door Switch - Push Button	42-22692-01	42-22692-01	42-22692-01	42-22692-01	42-22692-01	42-22692-01	42-22692-01	
		Silicone Tubing - Pressure Switch	AE-61737-23	AE-61737-23	AE-61737-23	AE-61737-15	AE-61737-15	AE-61737-15	AE-61737-15	
5		Pressure Switch	See Electrical Group							
6		Junction Box	AE-61475-02	AE-61475-02	AE-61475-02	AE-61475-02	AE-61475-02	AE-61475-02	AE-61475-02	
7		Junction Box Cover	AE-61476-02	AE-61476-02	AE-61476-02	AE-61476-02	AE-61476-02	AE-61476-02	AE-61476-02	
		Flue Pipe	AE-66691-14	AE-66691-14	AE-66691-14	AE-66691-14	AE-66691-14	AE-66691-14	AE-66691-14	
		Flue Pipe Enclosure Assembly - (Includes Flue Pipe, Enclosure and Enclosure Door)	AS-100608-01	AS-100608-01	AS-100608-01	AS-100608-01	AS-100608-01	AS-100608-01	AS-100608-01	
		Rear Baffle	AE-66994-03	AE-66994-03	AE-66994-03	AE-66994-04	AE-66994-04	AE-66994-04	AE-66994-04	
8		Top Plate	AE-66981-03	AE-66981-03	AE-66981-03	AE-66981-04	AE-66981-04	AE-66981-04	AE-66981-04	
9		Limit - Heat Assisted (Blower Housing)	See Electrical Group							
10		Jacket	AS-66991-08	AS-66991-08	AS-66991-08	AS-66991-09	AS-66991-09	AS-66991-09	AS-66991-09	
11		Blower Assembly	See Blower Group							
12		Heat Exchanger Bracket	See Heat Exchanger Group							
13		Heat Exchanger	See Heat Exchanger Group							
14		Induced Draft Blower w/Gasket	See Electrical Group							
15		Limit - Main Limit (Heat Exchanger Panel)	See Electrical Group							
16		Rollout Switch Bracket	AE-61600-02	AE-61600-02	AE-61600-02	AE-61600-02	AE-61600-02	AE-61600-02	AE-61600-02	
17		Limit - Manual Reset (Burner Compartment)	See Electrical Group							
23		Control Mounting Plate	AE-67877-01	AE-67877-01	AE-67877-01	AE-67877-01	AE-67877-01	AE-67877-01	AE-67877-01	

No.	Notes	MODEL HEATING INPUT VARIATIONS	80LJ 05E A	80LJ 05N A	80LJ 07E B	80LJ 07N B	80LJ 07E A	80LJ 07N A
ELECTRICAL GROUP								
5	Stk	Pressure Switch	42-101233-01	42-101233-01	42-101233-01	42-101233-01	42-24194-01	42-24194-01
9	Stk	Limit - Heat Assisted (Blower Housing)	47-22860-01	47-22860-01	47-22860-01	47-22860-01	47-22860-01	47-22860-01
14	Stk	Induced Draft Blower w/Gasket	70-101087-01	70-101087-01	70-101087-01	70-101087-01	70-101087-01	70-101087-01
15	Stk	Limit - Main Limit (Heat Exchanger Panel)	47-25349-07	47-25349-07	47-25349-05	47-25349-05	47-25349-05	47-25349-05
17	Stk	Limit - Manual Reset (Burner Compartment)	47-22861-01	47-22861-01	47-22861-01	47-22861-01	47-22861-01	47-22861-01
24		Integrated Furnace Control Board (IFC)	See Gas Controls					
27	Stk	Transformer	46-24124-03	46-24124-03	46-24124-03	46-24124-03	46-24124-03	46-24124-03
		Wiring Harness - 6 pin from board to 4 pin	45-24371-02	45-24371-02	45-24371-02	45-24371-02	45-24371-02	45-24371-02
		Wiring Harness - 4 pin to 2 pin for Ignitor and 2 terminals to Induced Draft Motor	45-24371-16	45-24371-16	45-24371-16	45-24371-16	45-24371-16	45-24371-16
		Wiring Harness - 9 pin from board to 9 pin	45-24371-03	45-24371-03	45-24371-03	45-24371-03	45-24371-03	45-24371-03
		Wiring Harness - 9 pin to 8 terminals	45-24371-11	45-24371-11	45-24371-11	45-24371-11	45-24371-11	45-24371-11

No.	Notes	MODEL HEATING INPUT VARIATIONS	80LJ 10E C	80LJ 10E D	80LJ 10N D	80LJ 12E D	80LJ 12N D	80LJ 15E D	80LJ 15N D
ELECTRICAL GROUP									
5	Stk	Pressure Switch	42-101233-01	42-101233-01	42-101233-01	42-101233-01	42-101233-01	42-101233-01	42-101233-01
9	Stk	Limit - Heat Assisted (Blower Housing)	47-22860-01	47-22860-01	47-22860-01	47-22860-03	47-22860-03	47-22860-04	47-22860-04
14	Stk	Induced Draft Blower w/Gasket	70-101087-01	70-101087-01	70-101087-01	70-101087-01	70-101087-01	70-101087-01	70-101087-01
15	Stk	Limit - Main Limit (Heat Exchanger Panel)	47-25349-07	47-25349-07	47-25349-07	47-25349-05	47-25349-05	47-25349-05	47-25349-05
17	Stk	Limit - Manual Reset (Burner Compartment)	47-22861-01	47-22861-01	47-22861-01	47-22861-01	47-22861-01	47-22861-01	47-22861-01
24		Integrated Furnace Control Board (IFC)	See Gas Controls						
27	Stk	Transformer	46-24124-03	46-24124-03	46-24124-03	46-24124-03	46-24124-03	46-24124-03	46-24124-03
		Wiring Harness - 6 pin from board to 4 pin	45-24371-02	45-24371-02	45-24371-02	45-24371-02	45-24371-02	45-24371-02	45-24371-02
		Wiring Harness - 4 pin to 2 pin for Ignitor and 2 terminals to Induced Draft Motor	45-24371-16	45-24371-16	45-24371-16	45-24371-16	45-24371-16	45-24371-16	45-24371-16
		Wiring Harness - 9 pin from board to 9 pin	45-24371-03	45-24371-03	45-24371-03	45-24371-03	45-24371-03	45-24371-03	45-24371-03
		Wiring Harness - 9 pin to 8 terminals	45-24371-11	45-24371-11	45-24371-11	45-24371-11	45-24371-11	45-24371-11	45-24371-11

No.	Notes	MODEL HEATING INPUT VARIATIONS	80LJ 05E A	80LJ 05N A	80LJ 07E B	80LJ 07N B	80LJ 07E A	80LJ 07N A
BLOWER GROUP								
11	Stk	Blower Assembly (Includes items 18-22)	AS-61697-08	AS-61697-08	AS-61697-64	AS-61697-64	AS-61697-77	AS-61697-77
18	Stk	Wheel	70-22683-01	70-22683-01	70-23111-05	70-23111-05	70-22683-01	70-22683-01
19		Housing	AS-61674-04	AS-61674-04	AS-61674-05	AS-61674-05	AS-61674-04	AS-61674-04
20	Stk	Blower Motor	51-22873-01	51-22873-01	51-24272-01	51-24272-01	51-22858-01	51-22858-01
21		Motor Mount (4)	AE-61698-02	AE-61698-02	AE-61698-02	AE-61698-02	AE-61698-02	AE-61698-02
22	Stk	Capacitor - Blower Motor	43-100509-42	43-100509-42	43-100509-43	43-100509-43	43-100509-42	43-100509-42

No.	Notes	MODEL HEATING INPUT VARIATIONS	80LJ 10E C	80LJ 10E D	80LJ 10N D	80LJ 12E D	80LJ 12N D	80LJ 15E D	80LJ 15N D
BLOWER GROUP									
11	Stk	Blower Assembly (Includes items 18-22)	AS-61697-65	AS-61697-73	AS-61697-73	AS-61697-73	AS-61697-73	AS-61697-73	AS-61697-73
18	Stk	Wheel	70-20602-01	70-20602-01	70-20602-01	70-20602-01	70-20602-01	70-20602-01	70-20602-01
19		Housing	AS-61674-06	AS-61674-06	AS-61674-06	AS-61674-06	AS-61674-06	AS-61674-06	AS-61674-06
20	Stk	Blower Motor	51-24272-01	51-25327-01	51-25327-01	51-25327-01	51-25327-01	51-25327-01	51-25327-01
21		Motor Mount (4)	AE-61698-02	AE-61698-02	AE-61698-02	AE-61698-02	AE-61698-02	AE-61698-02	AE-61698-02
22	Stk	Capacitor - Blower Motor	43-21298-43	43-21298-43	43-21298-43	43-21298-43	43-21298-43	43-21298-43	43-21298-43

No.	Notes	MODEL HEATING INPUT VARIATIONS	80LJ	80LJ	80LJ	80LJ	80LJ	80LJ	
			05E A	05N A	07E B	07N B	07E A	07N A	
HEAT EXCHANGER, BURNER / MANIFOLD GROUP									
12		Heat Exchanger Bracket (2)	AE-67846-02	AE-67846-02	AE-67846-02	AE-67846-02	AE-67846-02	AE-67846-02	
13	Stk	Heat Exchanger Assembly	AS-66997-11	AS-66997-13	AS-100561-01	AS-100561-02	AS-100561-01	AS-100561-02	
15		Limit - Main Limit (Heat Exchanger Panel)	See Electrical Group						
17		Limit - Manual Reset (Burner Compartment)	See Electrical Group						
28		NOX Insert Assembly	N/A	AS-67875-01 (1)	N/A	AS-67875-01 (2)	N/A	AS-67875-01 (2)	
33		NOX Insert Retainer	N/A	AE-67872-01	N/A	AE-67872-02	N/A	AE-67872-02	
29		Burner Support Bracket (2)	AE-61588-02	AE-61588-02	AE-61588-02	AE-61588-02	AE-61588-02	AE-61588-02	
		Burner Support	AE-60997-01	AE-60997-01	AE-60997-02	AE-60997-02	AE-60997-02	AE-60997-02	
30	Stk	Manifold (w/o Orifices)	81-102427-01	81-102427-01	81-102427-02	81-102427-02	81-102427-02	81-102427-02	
31	Stk	Burner Assembly	AS-60993-02	AS-60993-02	AS-60993-03	AS-60993-03	AS-60993-03	AS-60993-03	
		Burner Orifice - Natural Gas	See Orifice Selection Chart						
		Burner Orifice - LP	See Orifice Selection Chart						
		Number of Orifices	(2)	(2)	(3)	(3)	(3)	(3)	

No.	Notes	MODEL HEATING INPUT VARIATIONS	80LJ	80LJ	80LJ	80LJ	80LJ	80LJ	
			10E C	10E D	10N D	12E D	12N D	15E D	15N D
HEAT EXCHANGER, BURNER / MANIFOLD GROUP									
12		Heat Exchanger Bracket (2)	AE-67846-02	AE-67846-02	AE-67846-02	AE-67846-02	AE-67846-02	AE-67846-02	
13	Stk	Heat Exchanger Assembly	AS-66997-04	AS-66997-04	AS-66997-04	AS-66997-05	AS-66997-18	AS-66997-06	
15		Limit - Main Limit (Heat Exchanger Panel)	See Electrical Group						
17		Limit - Manual Reset (Burner Compartment)	See Electrical Group						
28		NOX Insert Assembly	N/A	N/A	AS-67875-01 (3)	N/A	AS-67875-01 (4)	AS-67875-01 (5)	
33		NOX Insert Retainer	N/A	N/A	AE-67872-03	N/A	AE-67872-04	AE-67872-05	
29		Burner Support Bracket (2)	AE-61588-02	AE-61588-02	AE-61588-02	AE-61588-02	AE-61588-02	AE-61588-02	
		Burner Support	AE-60997-03	AE-60997-03	AE-60997-03	AE-60997-04	AE-60997-04	AE-60997-05	
30	Stk	Manifold (w/o Orifices)	81-102427-03	81-102427-03	81-102427-03	81-102427-04	81-102427-04	81-102427-05	
31	Stk	Burner Assembly	AS-60993-04	AS-60993-04	AS-60993-04	AS-60993-05	AS-60993-05	AS-60993-06	
		Burner Orifice - Natural Gas	See Orifice Selection Chart						
		Burner Orifice - LP	See Orifice Selection Chart						
		Number of Orifices	(4)	(4)	(4)	(5)	(5)	(6)	

No.	Notes	MODEL GAS CODE	80LJ EB	80LJ EC	80LJ EU	80LJ EV	80LJ EZ
GAS CONTROLS							
24	Stk	Integrated Furnace Control Board (IFC)	62-24268-01	62-24268-01	62-24044-01	62-24084-02	62-24268-01
	Stk	Flame Sensor	62-23543-01	62-23543-01	62-23543-01	62-23543-01	62-23543-01
32	Stk	Gas Valve - Natural Gas	60-22866-01	60-23490-01	60-24290-01	60-24290-01	60-24350-01
32	Stk,1	Gas Valve - LP	See Note 1	See Note 1	See Note 1	See Note 1	See Note 1
34	Stk	Ignitor	62-22868-02	62-22868-02	62-22868-02	62-22868-02	62-22868-02
		Ignitor Bracket	AE-61581-01	AE-61581-01	AE-61581-01	AE-61581-01	AE-61581-01
		Ignitor Shield	AE-61627-01	AE-61627-01	AE-61627-01	AE-61627-01	AE-61627-01
LP Conversion Kit:							
	Stk	U.S. Models	FP-15	FP-15	FP-15	FP-15	FP-15
	Stk	Canadian Models	FP-04	FP-04	FP-04	FP-04	FP-04

No.	Notes	MODEL GAS CODE	80LJ FX	80LJ FW	80LJ GA	80LJ GB	80LJ GC
GAS CONTROLS							
24	Stk	Integrated Furnace Control Board (IFC)	62-24192-01	62-24192-01	62-24268-02	62-24268-02	62-24268-02
	Stk	Flame Sensor	62-23543-01	62-23543-01	62-23543-01	62-23543-01	62-23543-01
32	Stk,1	Gas Valve - Natural Gas	60-22866-01	60-23490-01	60-22866-01	60-24350-01	60-23490-01
32	Stk	Gas Valve - LP	See Note 1	See Note 1	See Note 1	See Note 1	See Note 1
34	Stk	Ignitor	62-22868-02	62-22868-02	62-22868-02	62-22868-02	62-22868-02
		Ignitor Bracket	AE-61581-01	AE-61581-01	AE-61581-01	AE-61581-01	AE-61581-01
		Ignitor Shield	AE-61627-01	AE-61627-01	AE-61627-01	AE-61627-01	AE-61627-01
LP Conversion Kit:							
	Stk	U.S. Models	FP-15	FP-15	FP-15	FP-15	FP-15
	Stk	Canadian Models	FP-04	FP-04	FP-04	FP-04	FP-04

No.	Notes	MODEL GAS CODE	80LJ GE	80LJ GF			
GAS CONTROLS							
24	Stk	Integrated Furnace Control Board (IFC)	62-24268-02	62-24192-01			
	Stk	Flame Sensor	62-23543-01	62-23543-01			
32	Stk	Gas Valve - Natural Gas	60-100394-01	60-100394-01			
32	Stk,1	Gas Valve - LP	See Note 1	See Note 1			
34	Stk	Ignitor	62-22868-02	62-22868-02			
		Ignitor Bracket	AE-61581-01	AE-61581-01			
		Ignitor Shield	AE-61627-01	AE-61627-01			
LP Conversion Kit:							
	Stk	U.S. Models	FP-15	FP-15			
	Stk	Canadian Models	FP-04	FP-04			

80% GAS FURNACE - ORIFICE SELECTION CHART - NATURAL GAS

CAUTION: Selection of the correct Natural Gas Orifice requires the following information for the specific installation:

- 1) Altitude in of the installation (ft.).
- 2) Average energy content of the Natural Gas fuel from the local supplier (BTU/cu. ft.).

For detailed information and instructions for Orifice selection, see the Gas Furnace LP Conversion Kit Index 92-21519-59 and the latest edition of the National Fuel Gas Code Handbook, or the National Standard of Canada, Natural Gas and Propane Installation Code, CAN B149.1.

CAUTION: This information is provided for replacement purposes only. Conversion for operation at High Altitude must be done using the kit specified on the product specification sheet for the unit.

NOTE: This Orifice sizing chart is based on 25,000 BTU/HR per burner.

NOTE: Factory installed orifices are calculated and sized based on a Natural Gas heating value of 1075 BTU/cu. ft. and an elevation of 0 - 3000 ft.

Energy Value (BTU/cu. ft.)	Elevation (ft.)							
	0 - 1999	2000 - 2999	3000 - 3999	4000 - 4999	5000 - 5999	6000 - 6999	7000 - 7999	8000 - 8999
850	62-22175-38	62-22175-39	62-22175-40	62-22175-41	62-22175-41	62-22175-42	62-22175-42	62-22175-43
900	62-22175-40	62-22175-41	62-22175-42	62-22175-42	62-22175-42	62-22175-43	62-22175-43	62-22175-44
975	62-22175-41	62-22175-42	62-22175-42	62-22175-42	62-22175-43	62-22175-43	62-22175-44	62-22175-44
1075	62-22175-42	62-22175-42	62-22175-43	62-22175-43	62-22175-43	62-22175-44	62-22175-44	62-22175-45
1170	62-22175-43	62-22175-44	62-22175-44	62-22175-44	62-22175-45	62-22175-45	62-22175-46	62-22175-47

80% GAS FURNACE - ORIFICE SELECTION CHART - LP

CAUTION: Selection of the correct LP Orifice requires the altitude of the specific installation (ft.).

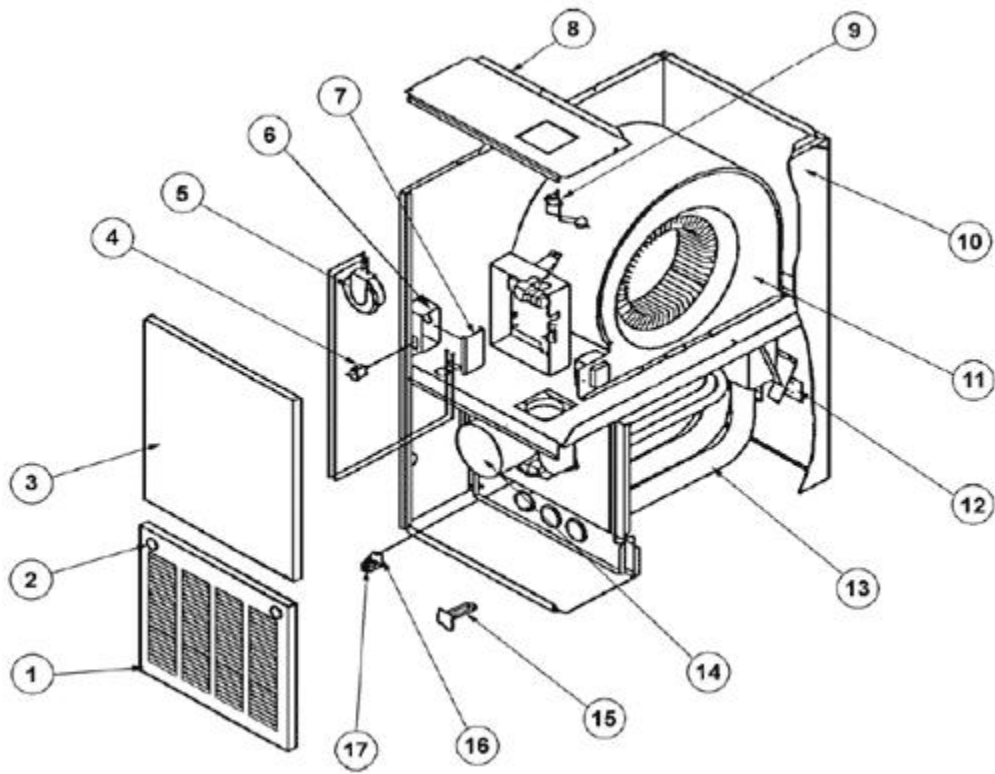
For detailed information and instructions for Orifice selection, see the Gas Furnace LP Conversion Kit Index 92-21519-59 and the latest edition of the National Fuel Gas Code Handbook (NFG), or the National Standard of Canada, Natural Gas and Propane Installation Code, CAN B149.1.

CAUTION: This information is provided for replacement purposes only. Conversion to LP or for operation at High Altitude should be done using the kit(s) specified on the product specification sheet for the unit.

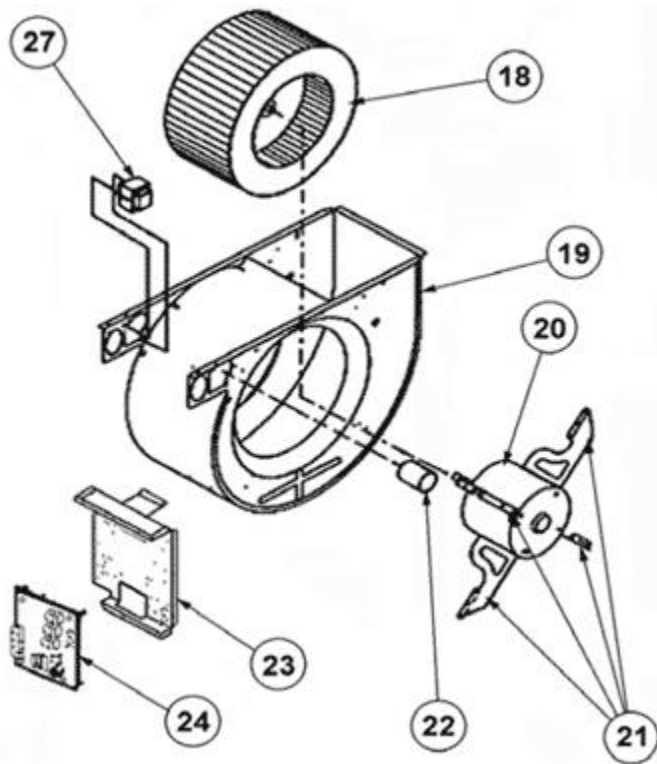
NOTE: This Orifice sizing chart is based on 25,000 BTU/HR per burner. Also, the chart is developed using the specified pressure setting of 10 in. water column instead of the 11.0 in water column used by the NFG and CANB149.1.

NOTE: Orifices supplied in the LP Conversion Kit are calculated and sized based on an altitude of 0 - 4000 ft.

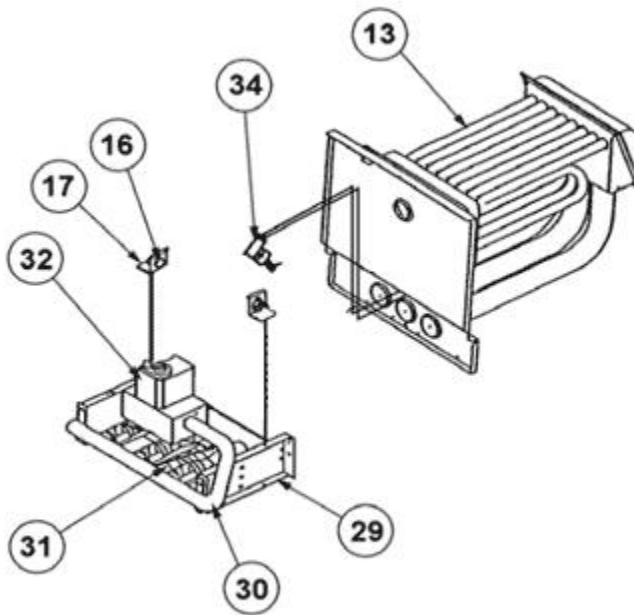
Elevation (ft.)	Orifice							
0 - 2000	62-22175-54							
2001 - 3000	62-22175-54							
3001 - 4000	62-22175-54							
4001 - 5000	62-22175-54							
5001 - 6000	62-22175-54							
6001 - 7000	62-22175-54							
7001 - 8000	62-22175-55							
8001 - 9000	62-22175-55							
9001 - 10000	62-22175-55							



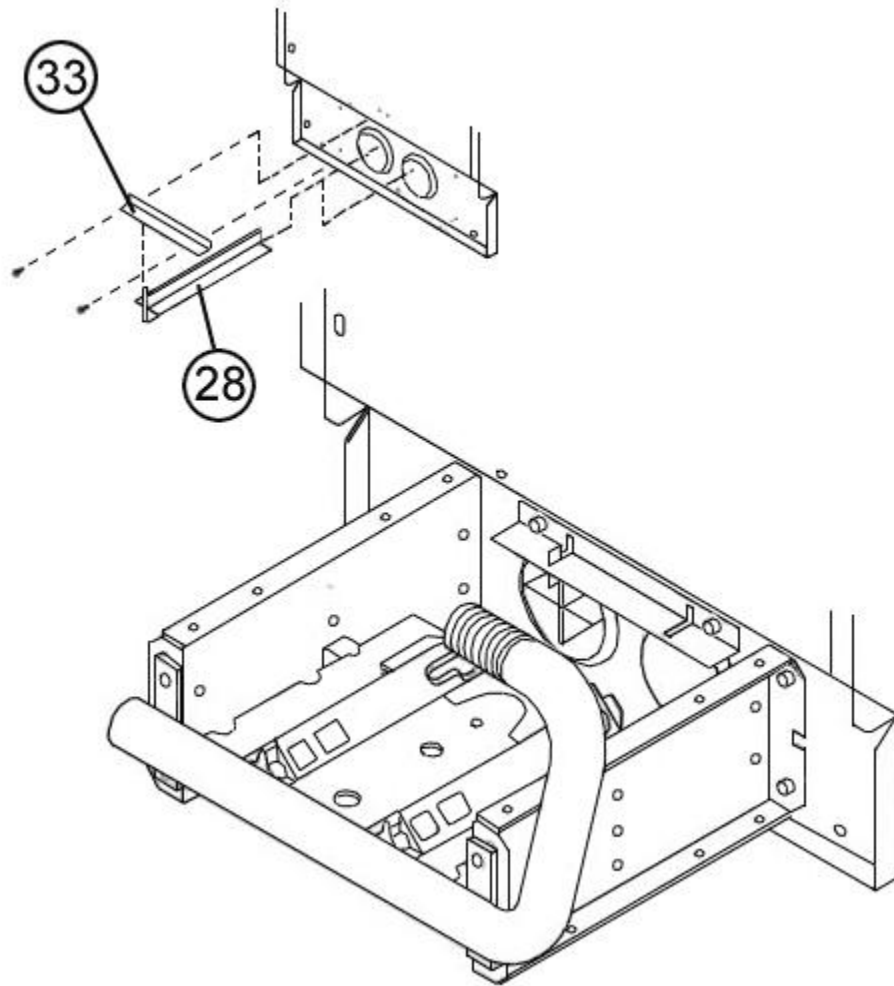
Exploded View



Blower Assembly



Burner and Manifold Group



NOX Insert Assembly

NOTES

- Stk It is recommended that stock be maintained for this part.
N/A Not Applicable
1 Order Gas Valve for Natural Gas along with LP Conversion Kit.

DISCLAIMER: This document is intended to provide general replacement parts information to aid qualified service personnel in the repair of these models. The complete Model and Serial Number of the unit under repair should be specified when selecting and ordering replacement parts. Specifications and illustrations are subject to change without notice. Document 92-42803-80LJ supersedes all previous parts lists for these models. See <http://www.rheempartslists.net/92-42803-80LJ> for the latest revision of this document. The manufacturer assumes no obligation for errors or omissions. Service personnel must verify the proper and safe operation of equipment after the replacement of any original components.