



AHBA

Parts List
13-March-2009



*This parts list is current as of the above revision date.
See <http://www.rheempartslists.net/92-42805-AHBA.pdf> for the current revision.*

Air Handlers

Table of Contents

Model Explanation	Page 3
Parts Numbers	
Panels - Miscellaneous.....	Page 4
Electrical Group (1)	Page 5
Electrical Group (2)	Page 6
Blower Group (1).....	Page 7
Blower Group (2).....	Page 8
Electric Heat Group	Page 9
Coil Parts	Page 10
Accessories.....	Page 10
Drawings/Photographs	
Exploded View	Page 11
Door Assembly.....	Page 11
Electrical Assembly	Page 12
Notes/Disclaimer	Page 13

MODEL NUMBER EXPLANATION

17	AH	B	A	24	HM	A	N	00
1	2	3	4	5	6	7	8	9

1 CABINET SIZE

17 = 17.5 in 24=24.5 in.
21 = 21.0 in 25=24.5 in.

2 MODEL

AH = Air Handler

3 DESIGN SERIES

4 REFRIGERANT

A = R-22
L = R-410A

5 CAPACITY

24 = 24,000 BTU/HR
36 = 36,000 BTU/HR
48 = 48,000 BTU/HR
60 = 60,000 BTU/HR

6 AIRFLOW

HM = AC or HP Multi-Position

7 ELECTRICAL DESIGNATION

A = 115V - 1 - 60
J = 208/230V - 1 - 60

8 CONTROL DESIGNATION

N = No Circuit Breakers/Single Supply Circuit
S = Circuit Breaker(s)/Single Supply Circuit

9 ELECTRIC HEAT (kW) DESIGNATION

00 = No Heat 14 = 14.0 kW
06 = 4.9 kW 18 = 17.5 kW
07 = 7.0 kW 21 = 21.0 kW
11 = 10.0 kW

SERIAL NUMBER EXPLANATION

T	M	07	01	0	0	0	0	1
1	2	3	4	5				

1 SEQUENCE MANUFACTURER

2 PRODUCTION LOCATION

M = Milledgeville, GA

3 WEEK

4 YEAR

5 PRODUCTION NUMBER

No.	Notes	CABINET SIZE	17	17	17	17	17	21
		MODEL	AH	AH	AH	AH	AH	AH
		ELECTRICAL DESIGNATION	A	J	J	J	J	A
		CONTROL DESIGNATION	N	N	S	S	S	N
		HEAT DESIGNATION	00	00	06	07	11	00
PANELS, SHEET METAL, MISCELLANEOUS								
1	Jacket		AS-58397-02	AS-58397-02	AS-58397-02	AS-58397-02	AS-58397-02	AS-58397-03
2	Blower Shelf - Cover/Top Deck		AS-58389-05	AS-58389-05	AS-58389-05	AS-58389-05	AS-58389-05	AS-58389-06
3	Bottom Channel		AE-58381-02	AE-58381-02	AE-58381-02	AE-58381-02	AE-58381-02	AE-58381-03
4	Blower Door Panel		AE-59440-35	AE-59440-35	AE-59440-36	AE-59440-36	AE-59440-36	AE-59441-35
4a	Circuit Breaker Cover		N/A	N/A	68-101808-01	68-101808-01	68-101808-01	N/A
4b	Circuit Breaker Cover Gasket		N/A	N/A	68-24337-02	68-24337-02	68-24337-02	N/A
6	Filter - Plastic		68-101807-02	68-101807-02	68-101807-02	68-101807-02	68-101807-02	68-101807-03
	Filter Door		AE-59440-32	AE-59440-32	AE-59440-32	AE-59440-32	AE-59440-32	AE-59441-32
12	Center Panel		AE-58385-02	AE-58385-02	AE-58385-02	AE-58385-02	AE-58385-04	AE-58385-07

No.	Notes	CABINET SIZE	21	21	21	TBHP	21	24
		MODEL	AH	AH	AH	21	AH	AH
		ELECTRICAL DESIGNATION	J	J	J	J	J	A
		CONTROL DESIGNATION	N	S	S	11	S	N
		HEAT DESIGNATION	00	06	07	S	14	00
PANELS, SHEET METAL, MISCELLANEOUS								
1	Jacket		AS-58397-03	AS-58397-03	AS-58397-03	AS-58397-03	AS-58397-03	AS-58397-04
2	Blower Shelf - Cover/Top Deck		AS-58389-06	AS-58389-06	AS-58389-06	AS-58389-06	AS-58389-06	AS-58389-07
3	Bottom Channel		AE-58381-03	AE-58381-03	AE-58381-03	AE-58381-03	AE-58381-03	AE-58381-04
4	Blower Door Panel		AE-59441-35	AE-59441-36	AE-59441-36	AE-59441-36	AE-59441-37	AE-59442-35
4a	Circuit Breaker Cover		N/A	68-101808-01	68-101808-01	68-101808-01	68-101808-01	N/A
4b	Circuit Breaker Cover Gasket		N/A	68-24337-02	68-24337-02	68-24337-02	68-24337-02	N/A
6	Filter - Plastic		68-101807-03	68-101807-03	68-101807-03	68-101807-03	68-101807-03	68-101807-04
	Filter Door		AE-59441-32	AE-59441-32	AE-59441-32	AE-59441-32	AE-59441-32	AE-59442-32
12	Center Panel		AE-58385-07	AE-58385-08	AE-58385-08	AE-58385-08	AE-58385-09	AE-58385-14

No.	Notes	CABINET SIZE	24	24	24	24	24	24
		MODEL	AH	AH	AH	AH	AH	AH
		ELECTRICAL DESIGNATION	J	J	J	J	J	J
		CONTROL DESIGNATION	N	S	S	S	S	S
		HEAT DESIGNATION	00	06	07	11	14	18
PANELS, SHEET METAL, MISCELLANEOUS								
1	Jacket		AS-58397-04	AS-58397-04	AS-58397-04	AS-58397-04	AS-58397-04	AS-58397-04
2	Blower Shelf - Cover/Top Deck		AS-58389-07	AS-58389-07	AS-58389-07	AS-58389-07	AS-58389-07	AS-58389-07
3	Bottom Channel		AE-58381-04	AE-58381-04	AE-58381-04	AE-58381-04	AE-58381-04	AE-58381-04
4	Blower Door Panel		AE-59442-35	AE-59442-36	AE-59442-36	AE-59442-36	AE-59442-37	AE-59442-39
4a	Circuit Breaker Cover		N/A	68-101808-01	68-101808-01	68-101808-01	68-101808-01	68-101808-01
4b	Circuit Breaker Cover Gasket		N/A	68-24337-02	68-24337-02	68-24337-02	68-24337-02	68-24337-02
6	Filter - Plastic		68-101807-04	68-101807-04	68-101807-04	68-101807-04	68-101807-04	68-101807-04
	Filter Door		AE-59442-32	AE-59442-32	AE-59442-32	AE-59442-32	AE-59442-32	AE-59442-32
12	Center Panel		AE-58385-14	AE-58385-16	AE-58385-16	AE-58385-16	AE-58385-18	AE-58385-18

No.	Notes	CABINET SIZE	25	25	25	25	25	25
		MODEL	AH	AH	AH	AH	AH	AH
		ELECTRICAL DESIGNATION	A	J	J	J	J	J
		CONTROL DESIGNATION	N	N	S	S	S	S
		HEAT DESIGNATION	00	00	11	14	18	21
PANELS, SHEET METAL, MISCELLANEOUS								
1	Jacket		AS-58397-04	AS-58397-04	AS-58397-04	AS-58397-04	AS-58397-04	AS-58397-04
2	Blower Shelf - Cover/Top Deck		AS-58389-04	AS-58389-04	AS-58389-04	AS-58389-04	AS-58389-04	AS-58389-04
3	Bottom Channel		AE-58381-04	AE-58381-04	AE-58381-04	AE-58381-04	AE-58381-04	AE-58381-04
4	Blower Door Panel		AE-59442-35	AE-59442-35	AE-59442-36	AE-59442-32	AE-59442-32	AE-59442-32
4a	Circuit Breaker Cover		N/A	N/A	68-101808-01	68-101808-01	68-101808-01	68-101808-01
4b	Circuit Breaker Cover Gasket		N/A	N/A	68-24337-02	68-24337-02	68-24337-02	68-24337-02
6	Filter - Plastic		68-101807-04	68-101807-04	68-101807-04	68-101807-04	68-101807-04	68-101807-04
	Filter Door		AE-59442-32	AE-59442-32	AE-59442-32	AE-59442-32	AE-59442-32	AE-59442-32
12	Center Panel		AE-58385-24	AE-58385-24	AE-58385-25	AE-58385-26	AE-58385-26	AE-58385-26

No.	Notes	CABINET SIZE	17	17	17	17	17	21
		MODEL	AH	AH	AH	AH	AH	AH
		ELECTRCAL DESIGNATION	A	J	J	J	J	A
		CONTROL DESIGNATION	N	N	S	S	S	N
		HEAT DESIGNATION	00	00	06	07	11	00
ELECTRICAL GROUP								
13		Sheath Heater w/Bracket	See Electric Heat Group					
14		Sequencing / Heat Relay	See Electric Heat Group					
15	Stk	Transformer	46-23115-01	46-23115-02	46-23115-02	46-23115-02	46-23115-02	46-23115-01
16		Limit Switch	See Electric Heat Group					
17		Circuit Breaker	N/A	N/A	42-23201-01	42-23201-01	42-23201-01	N/A
		Finger Stop Voltage	N/A	N/A	45-23203-01	45-23203-01	45-23203-01	N/A
		Jumper Bar - 4 Pole	N/A	N/A	N/A	N/A	N/A	N/A
18		Watt Restrictors	N/A	N/A	N/A	47-23117-01	47-23117-01	N/A
19	Stk	Defrost Heater Control	N/A	N/A	N/A	47-23118-01	47-23118-01	N/A
		Terminal Block	45-23222-02	45-23222-02	N/A	N/A	N/A	45-23222-02

No.	Notes	CABINET SIZE	21	21	21	TBHP	21	24
		MODEL	AH	AH	AH	21	AH	AH
		ELECTRCAL DESIGNATION	J	J	J	J	J	A
		CONTROL DESIGNATION	N	S	S	11	S	N
		HEAT DESIGNATION	00	06	07	S	14	00
ELECTRICAL GROUP								
13		Sheath Heater w/Bracket	See Electric Heat Group					
14		Sequencing / Heat Relay	See Electric Heat Group					
15	Stk	Transformer	46-23115-02	46-23115-02	46-23115-02	46-23115-02	46-23115-02	46-23115-01
		Power Factor Choke	N/A	N/A	N/A	N/A	N/A	46-24256-04
16		Limit Switch	See Electric Heat Group					
17		Circuit Breaker	N/A	42-23201-01 (1)	42-23201-01 (1)	42-23201-01 (1)	42-23201-01 (2)	N/A
		Finger Stop Voltage	N/A	45-23203-01 (2)	45-23203-01 (2)	45-23203-01 (2)	N/A	N/A
		Jumper Bar - 4 Pole	N/A	N/A	N/A	N/A	45-23202-01	N/A
18		Watt Restrictors	N/A	N/A	N/A	N/A	47-23117-01	N/A
19	Stk	Defrost Heater Control	N/A	N/A	N/A	N/A	47-23118-01	N/A
		Terminal Block	45-23222-02	N/A	N/A	N/A	N/A	45-23222-02

No.	Notes	CABINET SIZE	24	24	24	24	24	24
		MODEL	AH	AH	AH	AH	AH	AH
		ELECTRCAL DESIGNATION	J	J	J	J	J	J
		CONTROL DESIGNATION	N	S	S	S	S	S
		HEAT DESIGNATION	00	06	07	11	14	18
ELECTRICAL GROUP								
13		Sheath Heater w/Bracket	See Electric Heat Group					
14		Sequencing / Heat Relay	See Electric Heat Group					
15	Stk	Transformer	46-23115-02	46-23115-02	46-23115-02	46-23115-02	46-23115-02	46-23115-02
16		Limit Switch	See Electric Heat Group					
17		Circuit Breaker	N/A	42-23201-01 (1)	42-23201-01 (1)	42-23201-01 (1)	42-23201-01 (2)	42-23201-01 (2)
		Finger Stop Voltage	N/A	45-23203-01 (2)	45-23203-01 (2)	45-23203-01 (2)	45-23203-01	45-23203-01
		Jumper Bar - 4 Pole	N/A	N/A	N/A	N/A	N/A	N/A
18		Watt Restrictors	N/A	N/A	N/A	N/A	47-23117-02	47-23117-02
19	Stk	Defrost Heater Control	N/A	N/A	N/A	N/A	47-23118-01	47-23118-01
		Terminal Block	45-23222-02	N/A	N/A	N/A	N/A	N/A

No.	Notes	CABINET SIZE	25	25	25	25	25	25
		MODEL	AH	AH	AH	AH	AH	AH
		ELECTRCAL DESIGNATION	A	J	J	J	J	J
		CONTROL DESIGNATION	N	N	S	S	S	S
		HEAT DESIGNATION	00	00	11	14	18	21
ELECTRICAL GROUP								
13	Stk	Sheath Heater w/Bracket	See Electric Heat Group					
14	Stk	Sequencing / Heat Relay	See Electric Heat Group					
15	Stk	Transformer	46-23115-01	46-23115-02	46-23115-02	46-23115-02	46-23115-02	46-23115-02
		Power Factor Choke	46-24256-04	N/A	N/A	N/A	N/A	N/A
16	Stk	Limit Switch	See Electric Heat Group					
17		Circuit Breaker	N/A	N/A	42-23201-01 (1)	42-23201-01 (2)	42-23201-01 (2)	42-23201-01 (2)
		Circuit Breaker Cover (2-2 Pole)	N/A	N/A	N/A	45-23202-10	45-23202-10	45-23202-10
		Finger Stop Voltage	N/A	N/A	45-23203-01 (2)	45-23203-01	45-23203-01	N/A
		Jumper Bar - 4 Pole	N/A	N/A	N/A	N/A	N/A	N/A
18		Watt Restrictors	N/A	N/A	N/A	47-23117-02	47-23117-02	47-23117-02
19	Stk	Defrost Heater Control	N/A	N/A	N/A	47-23118-01	47-23118-01	47-23118-01
		Terminal Block	45-23222-02	45-23222-02	N/A	N/A	N/A	N/A

No.	Notes	CABINET SIZE MODEL ELECTRCAL DESIGNATION HEAT DESIGNATION	17 AH A 00	17 AH J 00	17 AH J 06	17 AH J 07	17 AH J 11	21 AH A 00
BLOWER GROUP								
7		Blower Housing	AS-58391-23	AS-58391-01	AS-58391-23	AS-58391-03	AS-58391-04	AS-58391-05
8		Air Straightener	AE-58392-02	AE-58392-02	AE-58392-02	AE-58392-02	AE-58392-02	AE-58392-02
9	Stk	Blower Wheel	70-23111-50	70-23111-50	70-23111-50	70-23111-50	70-23111-50	70-23111-51
		Front Coil Support (2)	AE-58348-08	AE-58348-08	AE-58348-08	AE-58348-08	AE-58348-08	AE-58348-09
		Front Coil Support	AE-58348-02	AE-58348-02	AE-58348-02	AE-58348-02	AE-58348-02	AE-58348-03
		Rear Coil Support (2)	AE-58349-02	AE-58349-02	AE-58349-02	AE-58349-02	AE-58349-02	AE-58349-03
		Rear Coil Support	AE-58349-08	AE-58349-08	AE-58349-08	AE-58349-08	AE-58349-08	AE-58349-09
		Blockoff Plate (2)	AS-59320-01	AS-59320-01	AS-59320-01	AS-59320-01	AS-59320-01	AS-59320-01
10	Stk	Blower Motor	51-102171-02	51-101879-04	51-101879-04	51-101879-04	51-101879-04	51-102172-02
	Stk	Control Board	47-100436-02	47-100436-02	47-100436-02	47-100436-02	47-100436-02	47-100436-02
11		Motor Mount	70-24104-01	70-24104-01	70-24104-01	70-24104-01	70-24104-01	70-24104-01
		Plug Housing Assembly - T-Stat	45-101891-03	45-101891-03	45-101891-03	45-101891-03	45-101891-03	45-101891-03

No.	Notes	CABINET SIZE MODEL ELECTRCAL DESIGNATION HEAT DESIGNATION	21 AH J 00	21 AH J 06	21 AH J 07	21 AH J 11	21 AH J 14	24 AH A 00
BLOWER GROUP								
7		Blower Housing	AS-58391-05	AS-58391-24	AS-58391-07	AS-58391-08	AS-58391-09	AS-58391-10
8		Air Straightener	AE-58392-02	AE-58392-02	AE-58392-02	AE-58392-02	AE-58392-02	AE-58392-02
9	Stk	Blower Wheel	70-23111-51	70-23111-51	70-23111-51	70-23111-51	70-23111-51	70-23111-43
		Front Coil Support (2)	AE-58348-09	AE-58348-09	AE-58348-09	AE-58348-09	AE-58348-09	AE-58348-10
		Front Coil Support	AE-58348-03	AE-58348-03	AE-58348-03	AE-58348-03	AE-58348-03	AE-58348-04
		Rear Coil Support (2)	AE-58349-03	AE-58349-03	AE-58349-03	AE-58349-03	AE-58349-03	AE-58349-04
		Rear Coil Support	AE-58349-09	AE-58349-09	AE-58349-09	AE-58349-09	AE-58349-09	AE-58349-10
		Blockoff Plate (2)	AS-59320-01	AS-59320-01	AS-59320-01	AS-59320-01	AS-59320-01	N/A
10	Stk	Blower Motor	51-101880-10	51-101880-10	51-101880-10	51-101880-10	51-101880-10	51-102173-03
	Stk	Control Board	47-100436-02	47-100436-02	47-100436-02	47-100436-02	47-100436-02	47-100436-02
11		Motor Mount	70-24104-01	70-24104-01	70-24104-01	70-24104-01	70-24104-01	70-24104-01
		Plug Housing Assembly - T-Stat	45-101891-03	45-101891-03	45-101891-03	45-101891-03	45-101891-03	45-101891-03

No.	Notes	CABINET SIZE	24	24	24	24	24	24
		MODEL	AH	AH	AH	AH	AH	AH
		ELECTRICAL DESIGNATION	J	J	J	J	J	J
		HEAT DESIGNATION	00	06	07	11	14	18
BLOWER GROUP								
7		Blower Housing	AS-58391-10	AS-58391-25	AS-58391-12	AS-58391-13	AS-58391-14	AS-58391-15
8		Air Straightener	AE-58392-02	AE-58392-02	AE-58392-02	AE-58392-02	AE-58392-02	AE-58392-02
9	Stk	Blower Wheel	70-23111-43	70-23111-43	70-23111-43	70-23111-43	70-23111-43	70-23111-43
		Front Coil Support (2)	AE-58348-10	AE-58348-10	AE-58348-10	AE-58348-10	AE-58348-10	AE-58348-10
		Front Coil Support	AE-58348-04	AE-58348-04	AE-58348-04	AE-58348-04	AE-58348-04	AE-58348-04
		Rear Coil Support (2)	AE-58349-04	AE-58349-04	AE-58349-04	AE-58349-04	AE-58349-04	AE-58349-04
		Rear Coil Support	AE-58349-10	AE-58349-10	AE-58349-10	AE-58349-10	AE-58349-10	AE-58349-10
10	Stk	Blower Motor	51-101920-08	51-101920-08	51-101920-08	51-101920-08	51-101920-08	51-101920-08
	Stk	Control Board	47-100436-02	47-100436-02	47-100436-02	47-100436-02	47-100436-02	47-100436-02
11		Motor Mount	70-24104-01	70-24104-01	70-24104-01	70-24104-01	70-24104-01	70-24104-01
		Plug Housing Assembly - T-Stat	45-101891-03	45-101891-03	45-101891-03	45-101891-03	45-101891-03	45-101891-03

No.	Notes	CABINET SIZE	25	25	25	25	25	25
		MODEL	AH	AH	AH	AH	AH	AH
		ELECTRICAL DESIGNATION	A	J	J	J	J	J
		HEAT DESIGNATION	00	00	11	14	18	21
BLOWER GROUP								
7		Blower Housing	AS-58391-16	AS-58391-16	AS-58391-19	AS-58391-20	AS-58391-21	AS-58391-22
8		Air Straightener	AE-58392-02	AE-58392-02	AE-58392-02	AE-58392-02	AE-58392-02	AE-58392-02
9	Stk	Blower Wheel	70-23111-44	70-23111-44	70-23111-44	70-23111-44	70-23111-44	70-23111-44
		Front Coil Support (2)	AE-58348-10	AE-58348-10	AE-58348-10	AE-58348-10	AE-58348-10	AE-58348-10
		Front Coil Support	AE-58348-04	AE-58348-04	AE-58348-04	AE-58348-04	AE-58348-04	AE-58348-04
		Rear Coil Support (2)	AE-58349-04	AE-58349-04	AE-58349-04	AE-58349-04	AE-58349-04	AE-58349-04
		Rear Coil Support	AE-58349-10	AE-58349-10	AE-58349-10	AE-58349-10	AE-58349-10	AE-58349-10
10	Stk	Blower Motor	51-102173-04	51-101920-19	51-101920-19	51-101920-19	51-101920-19	51-101920-19
	Stk	Control Board	47-100436-02	47-100436-02	47-100436-02	47-100436-02	47-100436-02	47-100436-02
11		Motor Mount	70-24104-01	70-24104-01	70-24104-01	70-24104-01	70-24104-01	70-24104-01
		Plug Housing Assembly - T-Stat	45-101891-03	45-101891-03	45-101891-03	45-101891-03	45-101891-03	45-101891-03

No.	Notes	CABINET SIZE	17	17	17	17	17	21
		MODEL	AH	AH	AH	AH	AH	AH
		ELECTRICAL DESIGNATION	A	J	J	J	J	A
		HEAT DESIGNATION	00	00	06	07	11	00
ELECTRIC HEAT GROUP								
13	Stk	Sheath Heater w/Bracket	N/A	N/A	AS-58386-11 (1)	AS-58386-12 (2)	AS-58386-12 (3)	N/A
14	Stk	Sequencing / Heat Relay	N/A	N/A	42-23116-06	42-23116-09	42-23116-06	N/A
14	Stk	Sequencing / Heat Relay	N/A	N/A	N/A	N/A	42-23116-08	N/A
16	Stk	Limit Switch - Position 1 (Green)	N/A	N/A	47-23113-01	47-23113-01	47-23113-01	N/A
16	Stk	Limit Switch - Position 2 (Blue)	N/A	N/A	N/A	47-23113-02	47-23113-02	N/A
16	Stk	Limit Switch - Position 3 (Blue)	N/A	N/A	N/A	N/A	47-23113-02	N/A
16		Limit Switch - Position 4	N/A	N/A	N/A	N/A	N/A	N/A
16		Limit Switch - Position 5	N/A	N/A	N/A	N/A	N/A	N/A
16		Limit Switch - Position 6	N/A	N/A	N/A	N/A	N/A	N/A

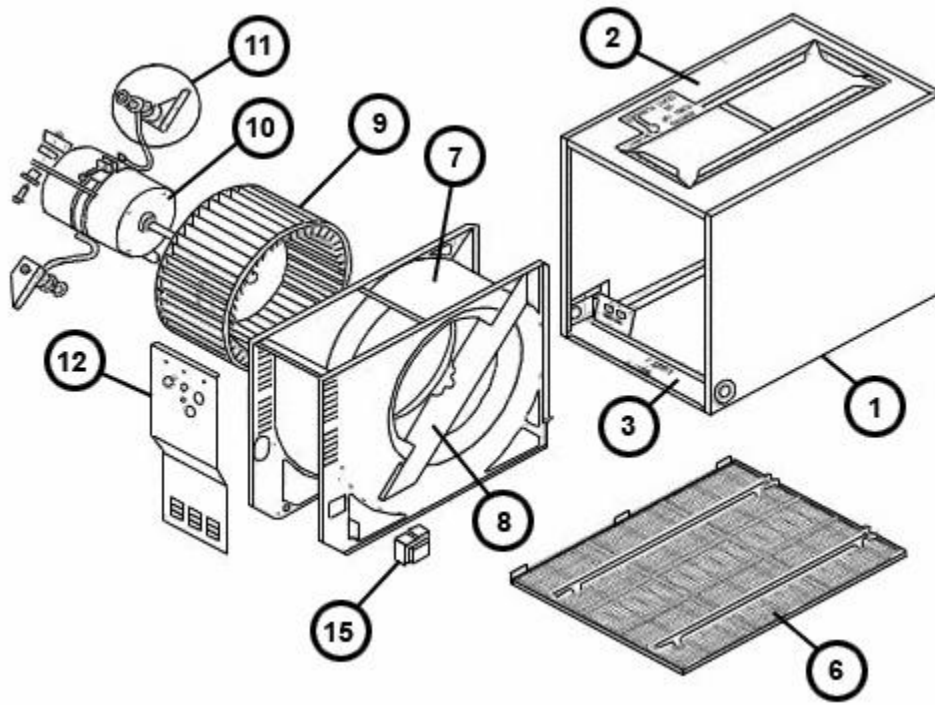
No.	Notes	CABINET SIZE	21	21	21	21	21	24
		MODEL	AH	AH	AH	AH	AH	AH
		ELECTRICAL DESIGNATION	J	J	J	J	J	A
		HEAT DESIGNATION	00	06	07	11	14	00
ELECTRIC HEAT GROUP								
13	Stk	Sheath Heater w/Bracket	N/A	AS-58386-11 (1)	AS-58386-12 (2)	AS-58386-12 (3)	AS-58386-12 (4)	N/A
14	Stk	Sequencing / Heat Relay	N/A	42-23116-06	42-23116-09	42-23116-06	42-23116-08	N/A
14	Stk	Sequencing / Heat Relay	N/A	N/A	N/A	42-23116-08	42-23116-09	N/A
16	Stk	Limit Switch - Position 1 (Yellow)	N/A	47-23113-03	47-23113-03	47-23113-03	47-23113-03	N/A
16	Stk	Limit Switch - Position 2 (Blue)	N/A	N/A	47-23113-02	47-23113-02	47-23113-02	N/A
16	Stk	Limit Switch - Position 3 (White)	N/A	N/A	N/A	47-23113-04	47-23113-04	N/A
16	Stk	Limit Switch - Position 4 (White)	N/A	N/A	N/A	N/A	47-23113-04	N/A
16		Limit Switch - Position 5	N/A	N/A	N/A	N/A	N/A	N/A
16		Limit Switch - Position 6	N/A	N/A	N/A	N/A	N/A	N/A

No.	Notes	CABINET SIZE	24	24	24	24	24	24
		MODEL	AH	AH	AH	AH	AH	AH
		ELECTRICAL DESIGNATION	J	J	J	J	J	J
		HEAT DESIGNATION	00	06	07	11	14	18
ELECTRIC HEAT GROUP								
13	Stk	Sheath Heater w/Bracket	N/A	AS-58386-11 (1)	AS-58386-12 (2)	AS-58386-12 (3)	AS-58386-12 (4)	AS-58386-12 (5)
14	Stk	Sequencing / Heat Relay	N/A	N/A	42-23116-09	42-23116-08	42-23116-08	42-23116-09
14	Stk	Sequencing / Heat Relay	N/A	N/A	N/A	42-23116-08	42-23116-09	42-23116-09
16	Stk	Limit Switch - Position 1 (Green)	N/A	47-23113-01	47-23113-01	47-23113-01	47-23113-01	47-23113-01
16	Stk	Limit Switch - Position 2 (Red)	N/A	N/A	47-23113-05	47-23113-05	47-23113-05	47-23113-05
16	Stk	Limit Switch - Position 3 (Red)	N/A	N/A	N/A	47-23113-05	47-23113-05	47-23113-05
16	Stk	Limit Switch - Position 4 (White)	N/A	N/A	N/A	N/A	47-23113-04	47-23113-04
16	Stk	Limit Switch - Position 5 (White)	N/A	N/A	N/A	N/A	N/A	47-23113-04
16		Limit Switch - Position 6	N/A	N/A	N/A	N/A	N/A	N/A

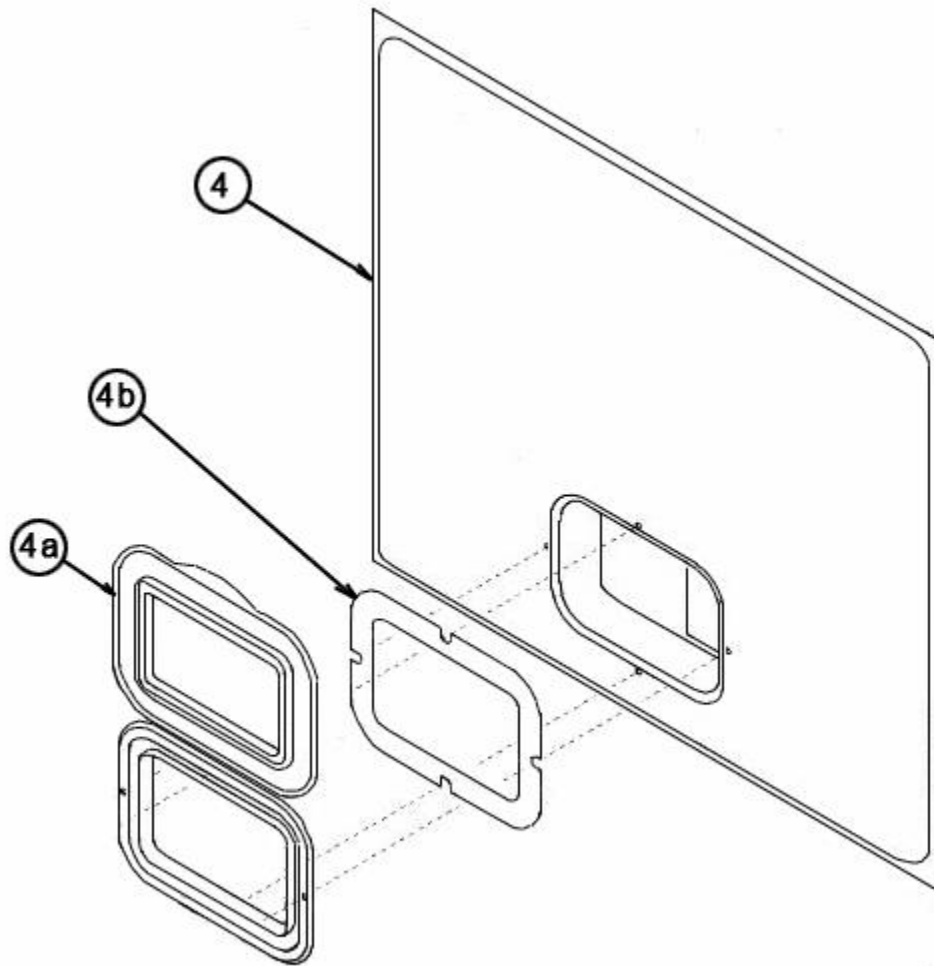
No.	Notes	CABINET SIZE	25	25	25	25	25	25
		MODEL	AH	AH	AH	AH	AH	AH
		ELECTRICAL DESIGNATION	A	J	J	J	J	J
		HEAT DESIGNATION	00	00	11	14	18	21
ELECTRIC HEAT GROUP								
13	Stk	Sheath Heater w/Bracket	N/A	N/A	AS-58386-12 (3)	AS-58386-12 (4)	AS-58386-12 (5)	AS-58386-12 (6)
14	Stk	Sequencing / Heat Relay	N/A	N/A	42-23116-06	42-23116-08	42-23116-06	42-23116-09
14	Stk	Sequencing / Heat Relay	N/A	N/A	42-23116-08	42-23116-09	42-23116-08	42-23116-09
16	Stk	Limit Switch - Position 1(Green)	N/A	N/A	47-23113-01	47-23113-01	47-23113-01	47-23113-01
16	Stk	Limit Switch - Position 2 (Blue)	N/A	N/A	47-23113-02	47-23113-02	47-23113-02	47-23113-02
16	Stk	Limit Switch - Position 3 (Red)	N/A	N/A	47-23113-05	47-23113-05	47-23113-05	47-23113-05
16	Stk	Limit Switch - Position 4 (Red)	N/A	N/A	N/A	47-23113-05	47-23113-05	47-23113-05
16	Stk	Limit Switch - Position 5 (Orange)	N/A	N/A	N/A	N/A	47-23113-06	47-23113-06
16	Stk	Limit Switch - Position 6 (Orange)	N/A	N/A	N/A	N/A	N/A	47-23113-06

No.	Notes	CABINET SIZE MODEL REFRIGERANT	17 AH A	21 AH A	24 AH A	25 AH A
COILS						
		Coil Assembly - Air Flow Connection H	RCHJ-24A1GH17	RCHJ-36A1GH21	RCHJ-48A1GH24	RCHJ-60A1GH24

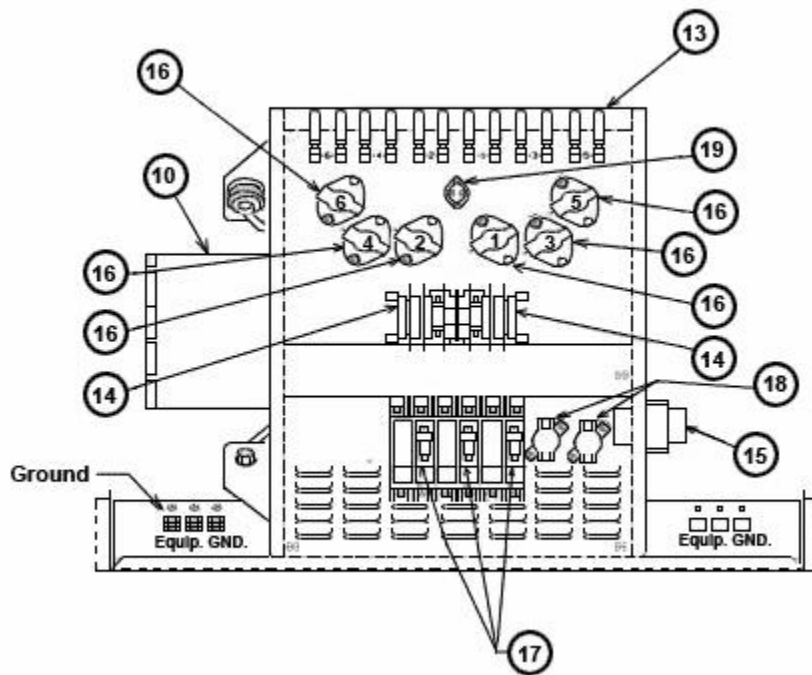
No.	Notes	CABINET SIZE MODEL	17 AH	21 AH	24 AH	25 AH
ACCESSORIES						
		Replacement Filters	54-23217-02	54-23217-03	54-23217-04	54-23217-04
		Finger Safe Circuit Breaker Cover - (1 for each Circuit Breaker Pole)	45-23203-01	45-23203-01	45-23203-01	45-23203-01
		Horizontal Drain Pan	RXBD-CB	RXBD-CB	RXBD-CB	RXBD-CB
		Auxiliary Horizontal Drain Pan	RXBM-AA06	RXBM-AA06	RXBM-AA06	RXBM-AA06
		Replacement Door Kit - Air Handler	RXCD-A17A	RXCD-A21A	RXCD-A24A	RXCD-A24A
		Replacement Door Kit - Cased Coil Box	RXCD-G17A	RXCD-G21A	RXCD-G24A	RXCD-G24A



Exploded View



Door Assembly



Electrical Assembly

NOTES

Stk It is recommended that stock be maintained for this part.
N/A Not Applicable

DISCLAIMER: This document is intended to provide general replacement parts information to aid qualified service personnel in the repair of these models. The complete Model and Serial Number of the unit under repair should be specified when selecting and ordering replacement parts. Specifications and illustrations are subject to change without notice. Document 92-42805-AHBA supersedes all previous parts lists for these models. See <http://www.rheempartslists.net/92-42805-AHBA> for the latest revision of this document. The manufacturer assumes no obligation for errors or omissions. Service personnel must verify the proper and safe operation of equipment after the replacement of any original components.