



16AJL

Parts List
13-March-2013



*This parts list is current as of the above revision date.
See <http://www.rheempartslists.net/92-42805-16AJL.pdf> for the current revision.*

Condensing Units

Table of Contents

Model Explanation	Page 3
Parts Numbers	
Panels - Miscellaneous	Page 4
Electrical-Fan Group	Page 5
Coil Parts	Page 5
Compressor Group	Page 6
Accessories	Page 7
Drawings/Photographs	
Exploded View	Page 8
Coil	Page 9
Valve Mounting Detail	Page 10
Control Box	Page 11
Notes/Disclaimer	Page 12

MODEL NUMBER EXPLANATION

1	6	A	J	L	2	4	A	0	1
1		2	3	4	5		6	7	

- | | |
|--|---|
| <p>(1) SEER
16 = SEER Rating</p> <p>(2) MODEL
A = Air Conditioner</p> <p>(3) VOLTAGE
J = 208-230/1/60</p> <p>(4) DESIGN SERIES</p> | <p>(5) COOLING CAPACITY (BTU/HR)
024 = 24,000
036 = 36,000
048 = 48,000
060 = 60,000</p> <p>(6) CABINET</p> <p>(7) NAMEPLATE LABEL</p> |
|--|---|

SERIAL NUMBER EXPLANATION

7	0	9	3	N	0	7	0	1	9	9	9	9	9
	1			2		3		4			5		

- (1) COMPRESSOR IDENTIFICATION NUMBER
- (2) PRODUCTION LOCATION
- (3) WEEK OF PRODUCTION
- (4) YEAR OF PRODUCTION
- (5) PRODUCTION NUMBER

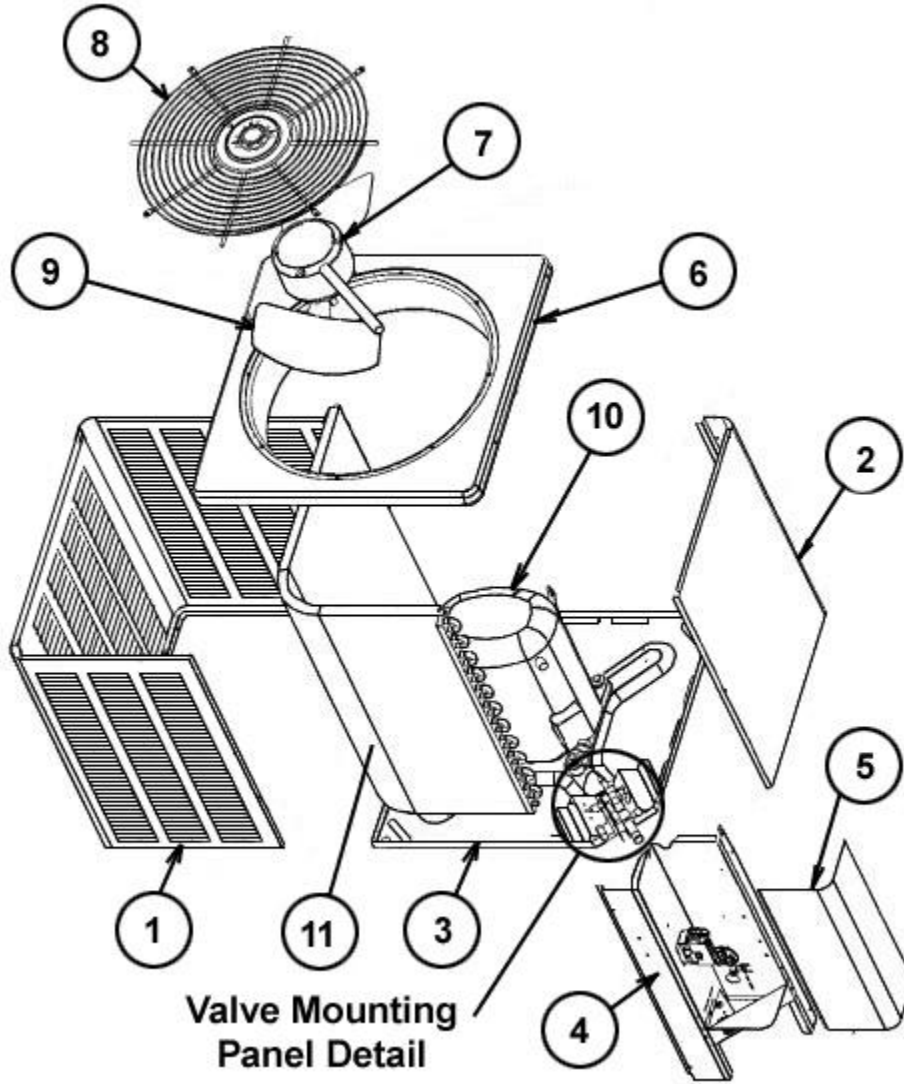
No.	Notes	MODEL COOLING CAPACITY VARIATION	16AJL 24 A01	16AJL 36 A01	16AJL 48 A01	16AJL 60 A01
SHEET METAL PARTS, MISCELLANEOUS						
1		Cabinet	AE-100726-83	AE-100726-84	AE-100726-84	AE-100726-84
2		Cabinet Panel	AE-100727-83	AE-100727-84	AE-100727-84	AE-100727-84
3		Base Pan	AE-101588-03	AE-101588-03	AE-101588-03	AE-101588-03
4		Control Box	AE-100654-81	AE-100654-83	AE-100654-83	AE-100654-83
5		Control Box Cover	AE-100657-81	AE-100657-81	AE-100657-81	AE-100657-81
6		Top Panel	AE-100652-83	AE-100652-83	AE-100652-83	AE-100652-83
8		Grille	95-100906-04	95-100906-04	95-100906-06	95-100906-04
		Center Cap - Blank (for Grille)	91-101123-09	91-101123-09	91-101123-09	91-101123-09
12		Valve Mounting Panel	AE-57780-01	AE-100185-81	AE-100185-81	AE-100185-81
14		Service Valve - Suction	See Coil Group			
15		Service Valve - Liquid	See Coil Group			
17		Low Voltage Cover	AE-57756-01	AE-57756-01	AE-57756-01	AE-57756-01
		Touch-up Paint - Granite/Steel Gray (Aerosol)	523018	523018	523018	523018
		Touch-up Paint - Granite/Steel Gray (Paint Pens)	523019	523019	523019	523019

No.	Notes	MODEL COOLING CAPACITY VARIATION	16AJL 24 A01	16AJL 36 A01	16AJL 48 A01	16AJL 60 A01
ELECTRICAL/FAN GROUP						
7	Stk	Fan Motor	51-101774-02	51-102008-08	51-100998-08	51-102728-12
9	Stk	Fan Blade	70-102011-03	70-21858-17	70-21858-17	70-21858-17
16a	Stk	Contactora	42-42478-03	42-42478-03	42-102851-02	42-42478-02
16b	Stk	Comfort Alert (Core Sense)	42-101504-05	42-101504-05	42-101504-05	42-101504-05
16c		Low Ambient Control	See Accessories			
17		Low Voltage Cover	See Panels - Miscellaneous			
18		Control Box Bottom	AE-100655-01	AE-100655-01	AE-100655-01	AE-100655-01
	Stk	High Pressure Control	N/A	N/A	N/A	47-102290-01
19		Capacitor	See Compressor Group			

No.	Notes	MODEL COOLING CAPACITY VARIATION	16AJL 24 A01	16AJL 36 A01	16AJL 48 A01	16AJL 60 A01
COIL GROUP						
11	Stk	Condenser Coil	AS-101761-03	AS-102486-03	AS-102486-03	N/A
11	Stk, 1	Condenser Coil - for units produced before Date Code 3512, See Note 1	N/A	N/A	N/A	AS-104345-03
13		Valve Mounting Bracket	AE-57781-01	AE-57781-01	AE-57781-02	AE-57781-02
14		Service Valve - Suction	61-21368-07	61-21368-07	61-21368-08	61-21368-08
15		Service Valve - Liquid	61-21368-25	61-21368-25	61-21368-25	61-21368-25
		Distributor - Three Way (3/8 in. to 3/8 in.)	83-17467-07	N/A	N/A	N/A
		Access Valve Body (2)	61-18542-01	61-18542-01	61-18542-01	61-18542-01
		Valve Core (2)	61-18551-01	61-18551-01	61-18551-01	61-18551-01
		Valve Cap (2)	83-100635-01	83-100635-01	83-100635-01	83-100635-01
		Filter Drier	83-22755-12	83-22755-12	83-22755-12	83-22755-12

No.	Notes	MODEL COOLING CAPACITY VARIATION	16AJL 24 A01	16AJL 36 A01	16AJL 48 A01	16AJL 60 A01
COMPRESSOR GROUP						
		Compressor ID:	8602	8603	8604	8605
10	Stk	Compressor	55-23156-35S	55-23156-36S	55-23156-37S	55-23156-34S
		Grommet (4)	56-18518-04	56-18518-04	56-18518-06	56-18518-06
19	Stk	Capacitor - Compressor	N/A	N/A	N/A	43-101666-25
19	Stk	Capacitor - Compressor/Fan	43-101665-44	43-101665-09	43-101665-56	N/A
	Stk	Compressor Wiring Harness (Line Voltage - Molded Plug)	45-100834-02	45-100834-02	45-100834-02	45-100834-02
		Compressor Wiring Harness (Low Voltage - Molded Plug)	45-101723-01	45-101723-01	45-101723-01	45-101723-01

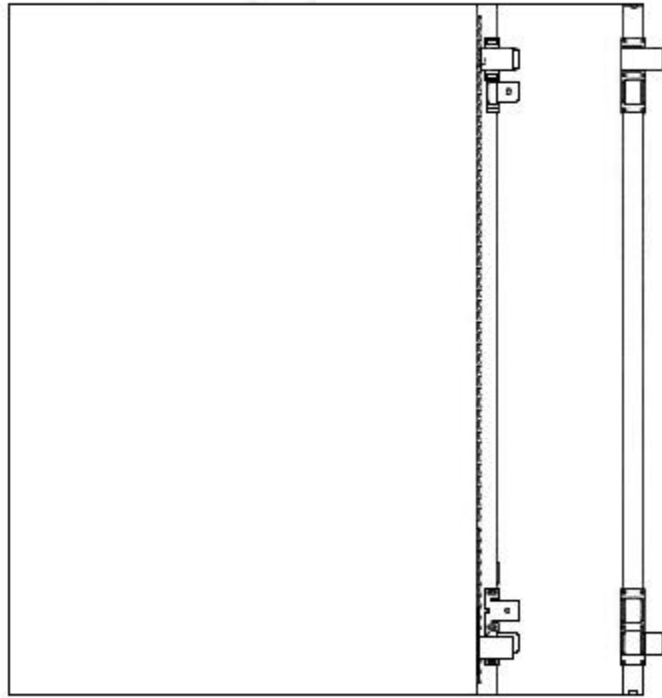
No.	Notes	MODEL COOLING CAPACITY VARIATION	16AJL ALL ALL
ACCESORIES			
16c		Low Ambient Control	RXAD-A08
		Compressor Time Delay Control	42-22655-02
		High Pressure Control	RXAB-A07
		Low Pressure Control	RXAC-A07
		Crankcase Heater (-024, -036)	44-17402-44
		Crankcase Heater (-048, -060)	44-17402-45
		Sound Enclosure (-024, -036)	68-23427-24
		Sound Enclosure (-048, -060)	68-23427-25



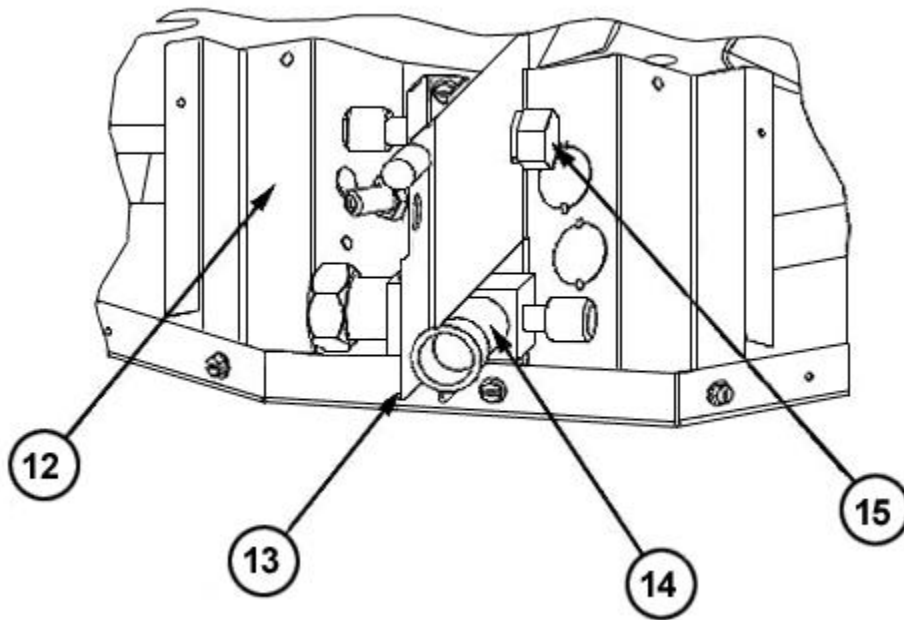
**Valve Mounting
Panel Detail**

Exploded View

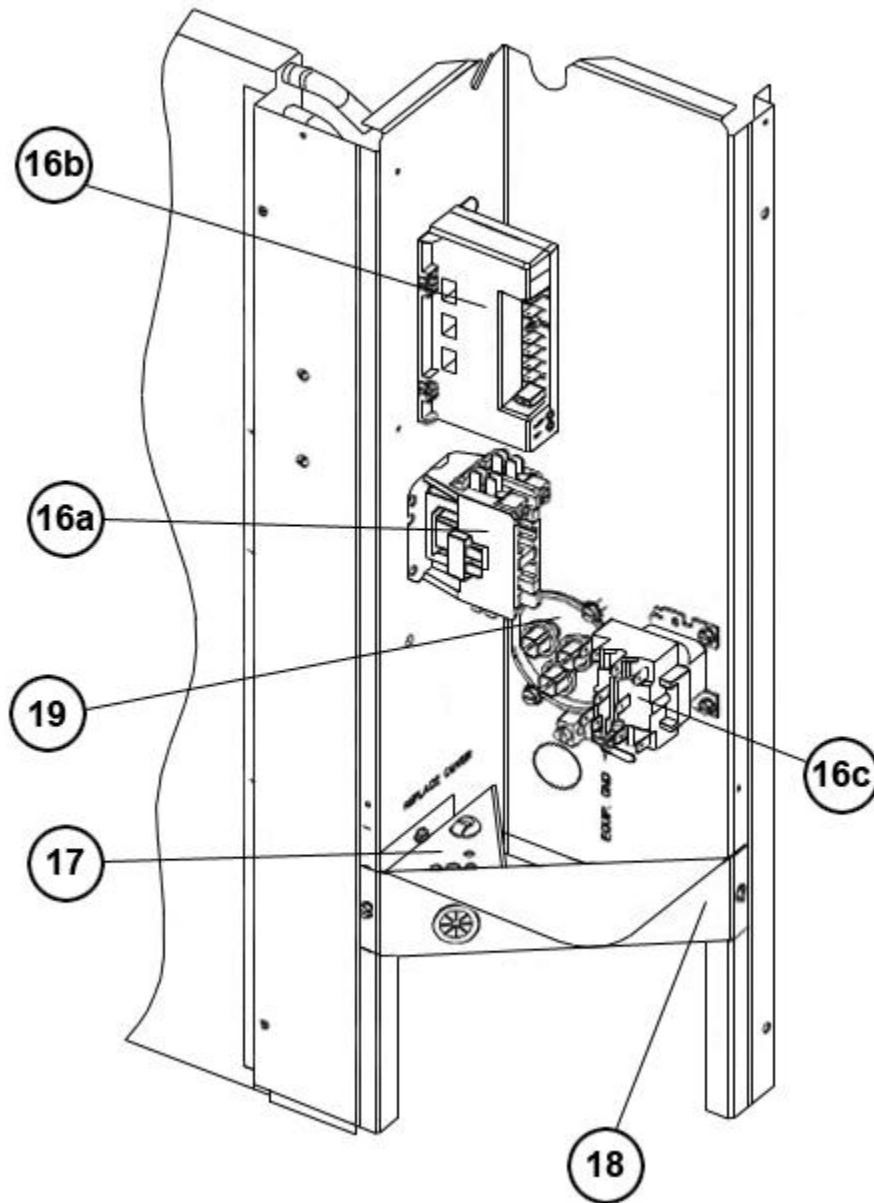
11



Coil



Valve Mounting Detail



Control Box

NOTES

Stk It is recommended that stock be maintained for this part.

N/A Not Applicable

- 1 Order AE-100643-03 Liquid Line when ordering replacement Coil for units produced before Date Code 3512.

DISCLAIMER: This document is intended to provide general replacement parts information to aid qualified service personnel in the repair of these models. The complete Model and Serial Number of the unit under repair should be specified when selecting and ordering replacement parts. Specifications and illustrations are subject to change without notice. Document 92-42805-16AJL supersedes all previous parts lists for these models. See <http://www.rheempartslists.net/92-42805-16AJL> for the latest revision of this document. The manufacturer assumes no obligation for errors or omissions. Service personnel must verify the proper and safe operation of equipment after the replacement of any original components.