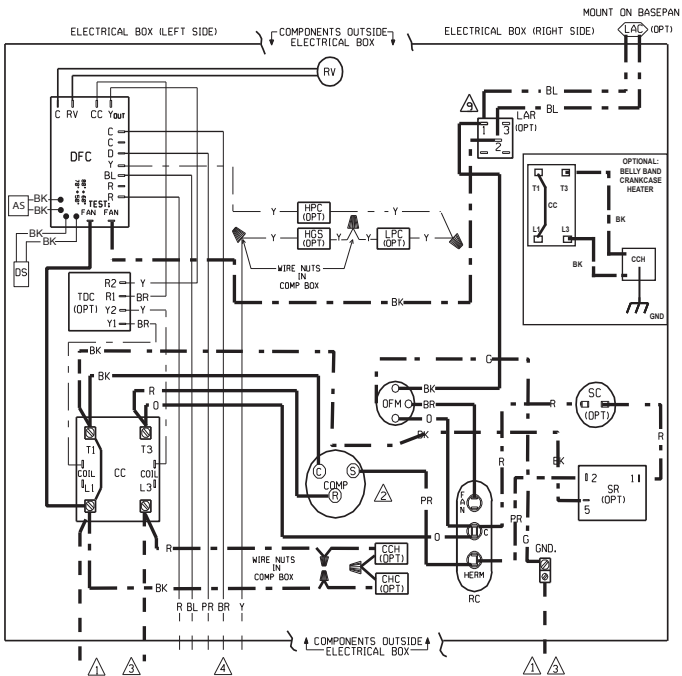
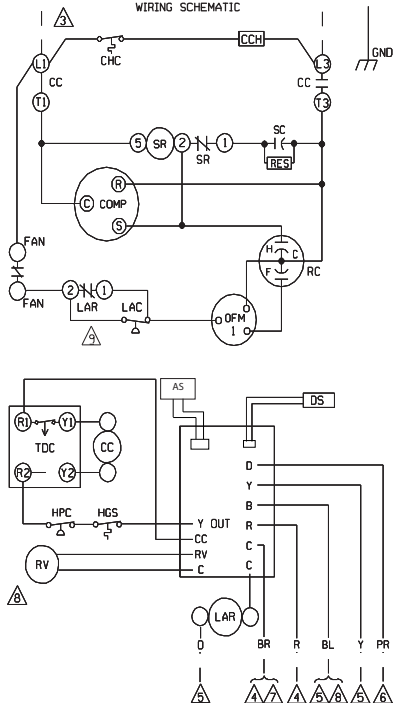


### WIRING DIAGRAM



### WIRING SCHEMATIC



### COMPONENT CODE

CC COMPRESSOR CONTACTOR  
 CCH CRANKCASE HEATER  
 CHC CRANKCASE HEATER CONTROL  
 COMP COMPRESSOR  
 DFC DEFROST CONTROL  
 DS DEFROST SENSOR  
 GND GROUND, CHASSIS  
 HPC HIGH PRESSURE CUT-OUT CONTROL  
 LAC LOW AMBIENT COOLING CONTROL  
 LAR LOW AMBIENT RELAY  
 LPC LOW PRESSURE CUT-OUT CONTROL  
 OFM OUTDOOR FAN MOTOR  
 OPT OPTIONAL  
 RC RUN CAPACITOR  
 SC START CAPACITOR  
 SR START RELAY  
 TDC TIME DELAY CONTROL  
 HGS HOT GAS SENSOR  
 PTCR POSITIVE TEMPERATURE COEFFICIENT RELAY  
 RV REVERSING VALVE  
 AS AMBIENT SENSOR

### NOTES: △

- CONNECTORS SUITABLE FOR USE WITH COPPER CONDUCTORS ONLY.
- COMPRESSOR MOTOR THERMALLY PROTECTED AND ALL 3 PHASE ARE PROTECTED UNDER PRIMARY SINGLE PHASE CONDITIONS.
- CONNECT FIELD WIRING IN GROUNDED RAINTIGHT CONDUIT TO 60 HERTZ FUSED DISCONNECT; VOLTAGE AND PHASE PER RATING PLATE.
- LOW VOLTAGE CIRCUIT TO BE N.E.C. CLASS 2 WITH A CLASS 2 TRANSFORMER 24 VOLT, 60 HERTZ.
- TO THERMOSTAT SUB-BASE, REFER TO SYSTEM SCHEMATICS OR SCHEMATICS ON INDOOR SECTION FOR LOW VOLTAGE CONTROL WIRING.
- THIS WIRE IS USED TO TURN ON ELECTRIC RESISTANCE HEAT DURING DEFROST. OMIT CONNECTION FOR MOST ECONOMICAL OPERATION.
- TO HEAT PUMP MONITOR 2.5 VA. MAX. WHEN USED.
- THIS COMPONENT IS ENERGIZED IN HEATING MODE.
- IF LAC/LAR IS NOT USED, CONNECT BLACK WIRE FROM OFM TO FAN TERMINAL ON DEFROST CONTROL.

### WIRING INFORMATION

LINE VOLTAGE  
 -FACTORY STANDARD —————  
 -FACTORY OPTION - - - - -  
 -FIELD INSTALLED - - - - -

LOW VOLTAGE  
 -FACTORY STANDARD —————  
 -FACTORY OPTION - - - - -  
 -FIELD INSTALLED - - - - -

REPLACEMENT WIRE  
 -MUST BE THE SAME SIZE AND TYPE OF INSULATION AS ORIGINAL (105 °C MIN.)

WARNING  
 -CABINET MUST BE PERMANENTLY GROUNDED AND CONFORM TO I.E.C., N.E.C., C.E.C. AND LOCAL CODES AS APPLICABLE.

### WIRE COLOR CODE

BK__BLACK	O___ORANGE
BR__BROWN	PR__PURPLE
BL__BLUE	R___RED
G___GREEN	W___WHITE
GY__GRAY	Y___YELLOW

### WIRING DIAGRAM

REMOTE HEAT PUMPS  
 208/230 VOLT SINGLE PHASE