



14PJL

Parts List
06-March-2013



*This parts list is current as of the above revision date.
See <http://www.rheempartslists.net/92-42805-14PJL.pdf> for the current revision.*

Heat Pumps

Table of Contents

Model Explanation	Page 3
Parts Numbers	
Panels - Miscellaneous	Page 4
Electrical-Fan Group	Page 5
Coil Parts	Page 5
Compressor Group	Page 6
Accessories	Page 7
Drawings/Photographs	
Exploded View	Page 8
Control Box Assembly	Page 9
Valve Mounting Detail	Page 10
Notes/Disclaimer	Page 11

MODEL NUMBER EXPLANATION

1	4	P	J	L	1	8	A	0	1
1		2	3	4	5		6	7	

- | | |
|--|---|
| <p>(1) SEER
14 = SEER Rating</p> <p>(2) MODEL
P = Heat Pump</p> <p>(3) VOLTAGE
J = 208-230/1/60</p> <p>(4) DESIGN SERIES</p> | <p>(5) COOLING CAPACITY (BTU/HR)
018= 18,000
024= 24,000
030= 30,000
036= 36,000
042= 42,000
048= 48,000
060= 60,000</p> <p>(6) CABINET</p> <p>(7) NAMEPLATE</p> |
|--|---|

SERIAL NUMBER EXPLANATION

7	0	9	2	N	0	7	0	1	9	9	9	9	9
1		2		3		4		5					

- | |
|--|
| <p>(1) COMPRESSOR IDENTIFICATION NUMBER</p> <p>(2) PRODUCTION LOCATION</p> <p>(3) WEEK OF PRODUCTION</p> <p>(4) YEAR OF PRODUCTION</p> <p>(5) PRODUCTION NUMBER</p> |
|--|

No.	Notes	MODEL COOLING CAPACITY VARIATION	14PJL 18 A01	14PJL 24 A01	14PJL 30 A01	14PJL 36 A01
SHEET METAL PARTS, MISCELLANEOUS						
1		Cabinet	AE-100726-51	AE-100726-51	AE-100726-52	AE-100726-53
2		Cabinet Panel	AE-100727-51	AE-100727-51	AE-100727-52	AE-100727-53
3		Base Pan	AS-100058-01	AS-100058-01	AS-100058-02	AE-101588-03
4		Control Box	AE-100654-51	AE-100654-51	AE-100654-51	AE-100654-51
5		Control Box Cover	AE-100657-51	AE-100657-51	AE-100657-51	AE-100657-51
6		Top Panel	AE-100652-51	AE-100652-51	AE-100652-52	AE-100652-53
8		Grille	95-100906-01	95-100906-01	95-100906-03	95-100906-04
		Center Cap - Blank (for Grille)	91-101123-09	91-101123-09	91-101123-09	91-101123-09
12		Valve Mounting Panel	AE-57780-01	AE-57780-01	AE-57780-01	AE-57780-01
14		Service Valve - Suction	See Coil Group			
15		Service Valve - Liquid	See Coil Group			
17		Low Voltage Cover	AE-57756-01	AE-57756-01	AE-57756-01	AE-57756-01
		Touch-up Paint - Green (Aerosol)	52-18662-48	52-18662-48	52-18662-48	52-18662-48
		Touch-up Paint - Green (Paint Pens)	523010	523010	523010	523010

No.	Notes	MODEL COOLING CAPACITY VARIATION	14PJL 42 A01	14PJL 48 A01	14PJL 60 A01	
SHEET METAL PARTS, MISCELLANEOUS						
1		Cabinet	AE-100726-54	AE-100726-54	AE-100726-54	
2		Cabinet Panel	AE-100727-54	AE-100727-54	AE-100727-54	
3		Base Pan	AE-101588-03	AE-101588-03	AE-101588-03	
4		Control Box	AE-100654-54	AE-100654-54	AE-100654-54	
5		Control Box Cover	AE-100657-51	AE-100657-51	AE-100657-51	
6		Top Panel	AE-100652-53	AE-100652-53	AE-100652-53	
8		Grille	95-100906-04	95-100906-04	95-100906-04	
		Center Cap - Blank (for Grille)	91-101123-09	91-101123-09	91-101123-09	
12		Valve Mounting Panel	AE-100185-51	AE-100185-51	AE-100185-51	
14		Service Valve - Suction	See Coil Group			
15		Service Valve - Liquid	See Coil Group			
17		Low Voltage Cover	AE-57756-01	AE-57756-01	AE-57756-01	
		Touch-up Paint - Green (Aerosol)	52-18662-48	52-18662-48	52-18662-48	
		Touch-up Paint - Green (Paint Pens)	523010	523010	523010	

No.	Notes	MODEL COOLING CAPACITY VARIATION	14PJL 18 A01	14PJL 24 A01	14PJL 30 A01	14PJL 36 A01
ELECTRICAL/FAN GROUP						
7	Stk	Fan Motor	51-101774-04	51-101774-04	51-101774-02	51-101774-02
9	Stk	Fan Blade	70-102033-05	70-102033-05	70-102033-02	70-102011-04
16	Stk	Contactora	42-42478-03	42-42478-03	42-42478-03	42-42478-03
17		Low Voltage Cover	See Panels - Miscellaneous			
18		Control Box Bottom	AE-100655-01	AE-100655-01	AE-100655-01	AE-100655-01
19		Capacitor - Compressor/Fan	See Compressor Group			
20	Stk	Defrost Control Board	47-21517-16	47-21517-16	47-21517-16	47-21517-16
21		Low Ambient Control	See Accessories Group			

No.	Notes	MODEL COOLING CAPACITY VARIATION	14PJL 42 A01	14PJL 48 A01	14PJL 60 A01	
ELECTRICAL/FAN GROUP						
7	Stk	Fan Motor	51-102008-03	51-102008-03	51-102008-03	
9	Stk	Fan Blade	70-102011-04	70-102011-04	70-102011-04	
16	Stk	Contactora	42-42478-03	42-42478-03	42-42478-02	
17		Low Voltage Cover	See Panels - Miscellaneous			
18		Control Box Bottom	AE-100655-01	AE-100655-01	AE-100655-01	
19		Capacitor - Compressor/Fan	See Compressor Group			
20	Stk	Defrost Control Board	47-21517-16	47-21517-16	47-21517-16	
21		Low Ambient Control	See Accessories Group			

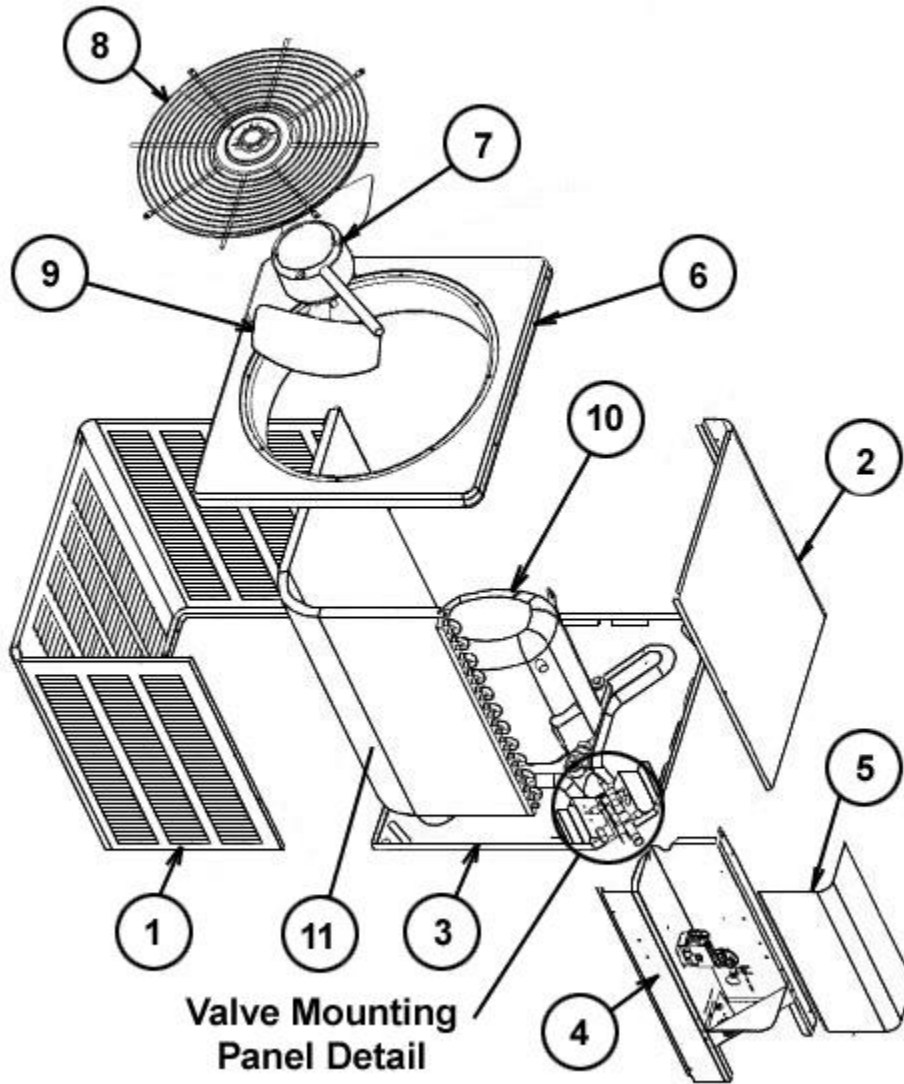
No.	Notes	MODEL COOLING CAPACITY VARIATION	14PJL 18 A01	14PJL 24 A01	14PJL 30 A01	14PJL 36 A01
COIL GROUP						
11	Stk	Condenser Coil	AS-101766-03	AS-101766-03	AS-102391-03	AS-101768-03
13		Valve Mounting Bracket	AE-57781-01	AE-57781-01	AE-57781-01	AE-57781-02
14		Service Valve - Suction	61-21368-23	61-21368-23	61-21368-07	61-21368-22
15		Service Valve - Liquid	61-21368-05	61-21368-05	61-21368-05	61-21368-05
22		Bulkhead Valve	61-22369-04	61-22369-04	61-22369-04	61-22369-04
		Locknut - Bulkhead Valve	63-22368-01	63-22368-01	63-22368-01	63-22368-01
	Stk	Filter Drier	83-41719-04	83-41719-04	83-41719-04	83-41719-04
		TXV/Distributor Assembly	61-102437-01	61-102437-02	61-102437-03	61-102437-03
	Stk,2	Reversing Valve - See Note 2	61-102498-04	61-102498-04	61-102498-09	61-102498-09
	Stk	Solenoid Coil - Reversing Valve	61-101713-03	61-101713-01	61-101713-01	61-101713-01
		Wiring Harness - Reversing Valve	61-26149-03	61-26149-03	61-26149-03	61-26149-03

No.	Notes	MODEL COOLING CAPACITY VARIATION	14PJL 42 A01	14PJL 48 A01	14PJL 60 A01	
COIL GROUP						
11	Stk	Condenser Coil	AS-101760-03	AS-102099-03	AS-101771-01	
13		Valve Mounting Bracket	AE-57781-02	AE-57781-02	AE-57781-02	
14		Service Valve - Suction	61-21368-22	61-21368-08	61-21368-08	
15		Service Valve - Liquid	61-21368-05	61-21368-05	61-21368-05	
22		Bulkhead Valve	61-22369-04	61-22369-04	61-22369-04	
		Locknut - Bulkhead Valve	63-22368-01	63-22368-01	63-22368-01	
	Stk	Filter Drier	83-41719-04	83-41719-04	83-41719-04	
		TXV/Distributor Assembly	61-102437-05	61-102437-06	61-102437-08	
	Stk,2	Reversing Valve - See Note 2	61-101684-02	61-101684-06	61-101684-03	
	Stk	Solenoid Coil - Reversing Valve	61-101713-01	61-101713-01	61-101713-01	
		Wiring Harness - Reversing Valve	61-26149-03	61-26149-03	61-26149-03	

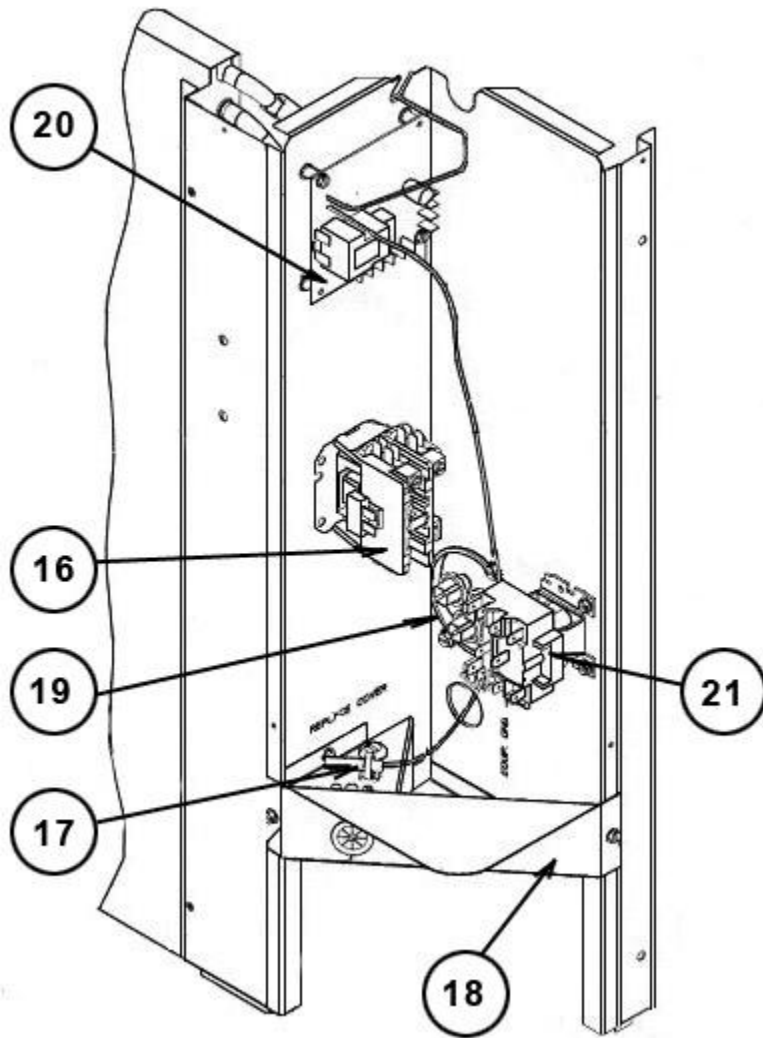
No.	Notes	MODEL COOLING CAPACITY VARIATION	14PJL 18 A01	14PJL 24 A01	14PJL 30 A01	14PJL 36 A01
COMPRESSOR GROUP						
IMPORTANT NOTE: Replacement Compressors MUST be selected using the Compressor ID from the unit's Serial Number. Do not interchange compressors from other Compressor ID's used on the model.						
		Compressor ID:	7782	7776	7777	7779
10	Stk	Compressor	55-102045-14S	55-102045-01S	55-102045-02S	55-102045-03S
19	Stk	Capacitor - Compressor/Fan	43-26261-40	43-26261-09	43-26261-09	43-26261-48
		Muffler	83-26251-01	83-26251-01	83-26251-01	83-26251-01
	Stk	Compressor Wiring Harness (Molded Plug)	45-100834-80	45-100834-80	45-100834-80	45-100834-80
		Compressor ID:			7778	7780
10	1	Original Compressor - See Note 1			55-101545-44S	55-102282-07S
10	Stk,1	Replacement Compressor (Retrofit Kit Required) - See Note 1			55-102045-02S	55-102045-03S
	Stk,1	Retrofit Kit - See Note 1			831019	831020
19	Stk	Capacitor - Compressor/Fan			43-26261-44	43-26261-48
		Muffler/Check Valve			83-101828-01	N/A
		Muffler			N/A	83-26251-01

No.	Notes	MODEL COOLING CAPACITY VARIATION	14PJL 42 A01	14PJL 48 A01	14PJL 60 A01	
COMPRESSOR GROUP						
IMPORTANT NOTE: Replacement Compressors MUST be selected using the Compressor ID from the unit's Serial Number. Do not interchange compressors from other Compressor ID's used on the model.						
		Compressor ID:	7781	7783	7784	
10	Stk	Compressor	55-102045-12S	55-102045-09S	55-102045-26S	
19	Stk	Capacitor - Compressor/Fan	43-26261-42	43-26261-47	43-26271-47	
	Stk	Compressor Wiring Harness (Molded Plug)	45-100834-80	45-100834-80	45-100834-80	
		Crankcase Heater	N/A	N/A	44-101884-05	
		Muffler	83-26251-01	83-26251-01	83-26251-01	
		Compressor ID:			7826	
10	1	Original Compressor - See Note 1			55-102282-01S	
10	Stk,1	Replacement Compressor (Retrofit Kit Required) - See Note 1			55-102045-26S	
	Stk,1	Retrofit Kit - See Note 1			831022	
19	Stk	Capacitor - Compressor/Fan			43-26261-47	
		Muffler			83-26251-01	

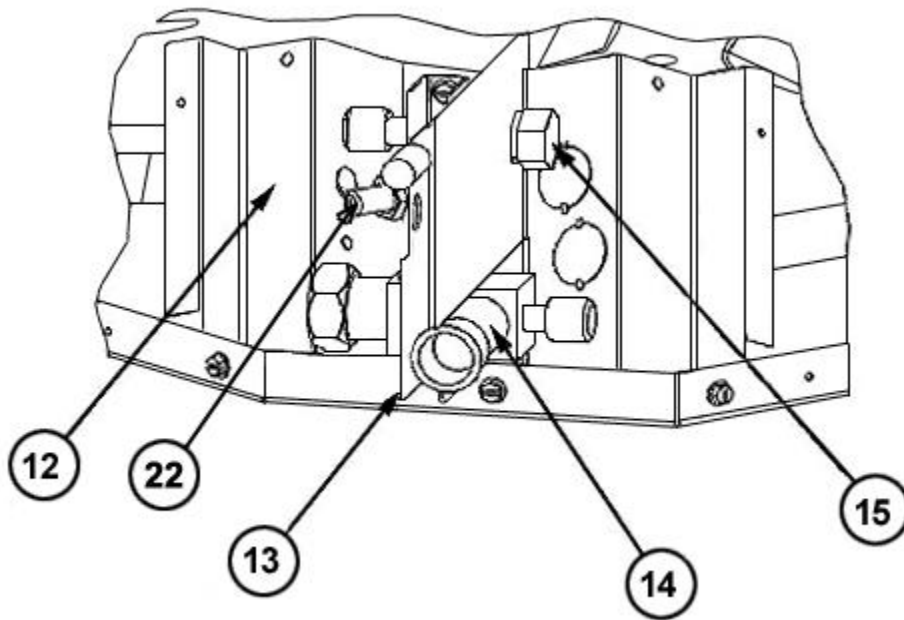
No.	Notes	MODEL COOLING CAPACITY VARIATION	14PJL ALL ALL
ACCESSORIES			
		Low Ambient Control	RXAD-A08
		Outdoor Thermostat (One Thermostat w/box)	RXPT-A01
		Outdoor Thermostat (One Thermostat w/o box)	RXPT-A02
		Outdoor Thermostat (One w/Heat Relay and box)	RXPT-A03
		Outdoor Thermostat (Two Thermostats w/Heat and box)	RXPT-A04
		Heat Pump Monitor	RXPM-B01
		Compressor Time Delay Control	RXMD-B01
		Blower Time Delay Control	RXMD-C04
		High Pressure Control	RXAB-A07



Exploded View



Control Box Assembly



Valve Mounting Detail

NOTES

Stk It is recommended that stock be maintained for this part.

N/A Not Applicable

- 1 This compressor should be replaced with the designated Copleland scroll (55-102045 series) and the specified Retrofit Kit. USE OF THE RETROFIT KIT IS REQUIRED WHEN PERFORMING THIS REPLACEMENT. Failure to use the kit will greatly increase the likelihood of future compressor failure and will void the compressor warranty.
- 2 The reversing valve specified for 030, 036, 048 models may be different than the one originally supplied with the equipment. The use of the specified valve is recommended for improved shifting performance.

DISCLAIMER: This document is intended to provide general replacement parts information to aid qualified service personnel in the repair of these models. The complete Model and Serial Number of the unit under repair should be specified when selecting and ordering replacement parts. Specifications and illustrations are subject to change without notice. Document 92-42805-14PJL supersedes all previous parts lists for these models. See <http://www.rheempartslists.net/92-42805-14PJL> for the latest revision of this document. The manufacturer assumes no obligation for errors or omissions. Service personnel must verify the proper and safe operation of equipment after the replacement of any original components.