



13PJP

Parts List
20-August-2014



*This parts list is current as of the above revision date.
See <http://www.rheempartslists.net/92-42805-13PJP.pdf> for the current revision.*

Heat Pumps

Table of Contents

| | |
|------------------------------|---------|
| Model Explanation | Page 3 |
| Parts Numbers | |
| Panels - Miscellaneous | Page 4 |
| Electrical-Fan Group | Page 5 |
| Coil Parts | Page 6 |
| Compressor Group | Page 7 |
| Accessories | Page 8 |
| Drawings/Photographs | |
| Exploded View | Page 9 |
| Control Box Assembly | Page 10 |
| Valve Mounting Detail | Page 11 |
| Notes/Disclaimer | Page 12 |

MODEL NUMBER EXPLANATION

| | | | | | | | | | |
|---|---|---|---|---|---|---|---|---|---|
| 1 | 3 | P | J | P | 1 | 8 | A | 0 | 1 |
| 1 | | 2 | 3 | 4 | 5 | | 6 | 7 | |

- | | |
|--|---|
| <p>(1) SEER 13 = SEER Rating</p> <p>(2) MODEL P = Heat Pump</p> <p>(3) VOLTAGE J = 208-230/1/60</p> <p>(4) DESIGN SERIES</p> | <p>(5) COOLING CAPACITY (BTU/HR) 18 = 18,000 24 = 24,000 30 = 30,000 36 = 36,000 42 = 42,000 48 = 48,000</p> <p>(6) CABINET</p> <p>(7) NAMEPLATE</p> |
|--|---|

SERIAL NUMBER EXPLANATION

| | | | | | | | | | | | | | |
|---|---|---|---|---|---|---|---|---|---|---|---|---|---|
| 7 | 0 | 9 | 2 | N | 0 | 7 | 0 | 1 | 9 | 9 | 9 | 9 | 9 |
| | 1 | | | 2 | | 3 | | 4 | | | | 5 | |

- | |
|--|
| <p>(1) COMPRESSOR IDENTIFICATION NUMBER</p> <p>(2) PRODUCTION LOCATION</p> <p>(3) WEEK OF PRODUCTION</p> <p>(4) YEAR OF PRODUCTION</p> <p>(5) PRODUCTION NUMBER</p> |
|--|

| No. | Notes | MODEL COOLING CAPACITY VARIATION | 13PJP 18 A01 | 13PJP 24 A01 | 13PJP 30 A01 | 13PJP 36 A01 |
|---|-------|--|--------------------|--------------------|--------------------|--------------------|
| SHEET METAL PARTS, MISCELLANEOUS | | | | | | |
| 1 | | Cabinet | AE-100726-81 | AE-100726-81 | AE-100726-82 | AE-100726-83 |
| 2 | | Cabinet Panel | AE-100727-81 | AE-100727-81 | AE-100727-82 | AE-100727-83 |
| 3 | | Base Pan | AS-100058-01 | AS-100058-01 | AS-100058-02 | AE-101588-03 |
| 4 | | Control Box - 2 inch diameter capacitor | AE-100654-81 | AE-100654-81 | AE-100654-81 | N/A |
| 4 | | Control Box - 2-1/2 inch diameter capacitor | N/A | N/A | N/A | AE-100654-82 |
| 5 | | Control Box Cover | AE-100657-81 | AE-100657-81 | AE-100657-81 | AE-100657-81 |
| 6 | | Top Panel | AE-100652-81 | AE-100652-81 | AE-100652-82 | AE-100652-83 |
| 8 | | Grille | 95-100906-01 | 95-100906-01 | 95-100906-03 | 95-100906-04 |
| | | Center Cap - Blank (for Grille) | 91-101123-09 | 91-101123-09 | 91-101123-09 | 91-101123-09 |
| 12 | | Valve Mounting Panel | AE-57780-01 | AE-57780-01 | AE-57780-01 | AE-57780-01 |
| 14 | | Service Valve - Suction | See Coil Group | | | |
| 15 | | Service Valve - Liquid | See Coil Group | | | |
| 17 | | Low Voltage Cover | AE-57756-01 | AE-57756-01 | AE-57756-01 | AE-57756-01 |
| | | Touch-up Paint - Granite/Steel Gray (Aerosol) | PD523018 | PD523018 | PD523018 | PD523018 |
| | | Touch-up Paint - Granite/Steel Gray (Paint Pens) | PD523019 | PD523019 | PD523019 | PD523019 |

| No. | Notes | MODEL COOLING CAPACITY VARIATION | 13PJP 42 A01 | 13PJP 48 A01 | | |
|---|-------|--|--------------------|--------------------|--|--|
| SHEET METAL PARTS, MISCELLANEOUS | | | | | | |
| 1 | | Cabinet | AE-100726-84 | AE-100726-84 | | |
| 2 | | Cabinet Panel | AE-100727-84 | AE-100727-84 | | |
| 3 | | Base Pan | AE-101588-03 | AE-101588-03 | | |
| 4 | | Control Box - 2-1/2 inch diameter capacitor | AE-100654-84 | AE-100654-84 | | |
| 5 | | Control Box Cover | AE-100657-81 | AE-100657-81 | | |
| 6 | | Top Panel | AE-100652-83 | AE-100652-83 | | |
| 8 | | Grille | 95-100906-04 | 95-100906-04 | | |
| | | Center Cap - Blank (for Grille) | 91-101123-09 | 91-101123-09 | | |
| 12 | | Valve Mounting Panel | AE-100185-81 | AE-100185-81 | | |
| 14 | | Service Valve - Suction | See Coil Group | | | |
| 15 | | Service Valve - Liquid | See Coil Group | | | |
| 17 | | Low Voltage Cover | AE-57756-01 | AE-57756-01 | | |
| | | Touch-up Paint - Granite/Steel Gray (Aerosol) | PD523018 | PD523018 | | |
| | | Touch-up Paint - Granite/Steel Gray (Paint Pens) | PD523019 | PD523019 | | |

| No. | Notes | MODEL COOLING CAPACITY VARIATION | 13PJP 18 A01 | 13PJP 24 A01 | 13PJP 30 A01 | 13PJP 36 A01 |
|-----------------------------|-------|--|----------------------------|--------------------|--------------------|--------------------|
| ELECTRICAL/FAN GROUP | | | | | | |
| 7 | Stk | Fan Motor | 51-101774-20 | 51-101774-20 | 51-101774-02 | 51-102008-07 |
| 9 | Stk | Fan Blade | 70-102011-21 | 70-102011-21 | 70-102033-02 | 70-102011-10 |
| 16 | Stk | Contactora | 42-102664-05 | 42-42478-03 | 42-42478-03 | 42-42478-03 |
| 17 | | Low Voltage Cover | See Panels - Miscellaneous | | | |
| 18 | | Control Box Bottom | AE-100655-01 | AE-100655-01 | AE-100655-01 | AE-100655-01 |
| 19 | | Capacitor - Compressor/Fan | See Compressor Group | | | |
| 20 | Stk | Defrost Control Board | 47-102684-08 | 47-102684-08 | 47-102684-08 | 47-102684-08 |
| 21 | | Low Ambient Control | See Accessories Group | | | |

| No. | Notes | MODEL COOLING CAPACITY VARIATION | 13PJP 42 A01 | 13PJP 48 A01 | | |
|-----------------------------|-------|--|----------------------------|--------------------|--|--|
| ELECTRICAL/FAN GROUP | | | | | | |
| 7 | Stk | Fan Motor | 51-102008-07 | 51-102008-07 | | |
| 9 | Stk | Fan Blade | 70-102011-10 | 70-102033-04 | | |
| 16 | Stk | Contactora | 42-42478-03 | 42-42478-03 | | |
| 17 | | Low Voltage Cover | See Panels - Miscellaneous | | | |
| 18 | | Control Box Bottom | AE-100655-01 | AE-100655-01 | | |
| 19 | | Capacitor - Compressor/Fan | See Compressor Group | | | |
| 20 | Stk | Defrost Control Board | 47-102684-08 | 47-102684-08 | | |
| 21 | | Low Ambient Control | See Accessories Group | | | |

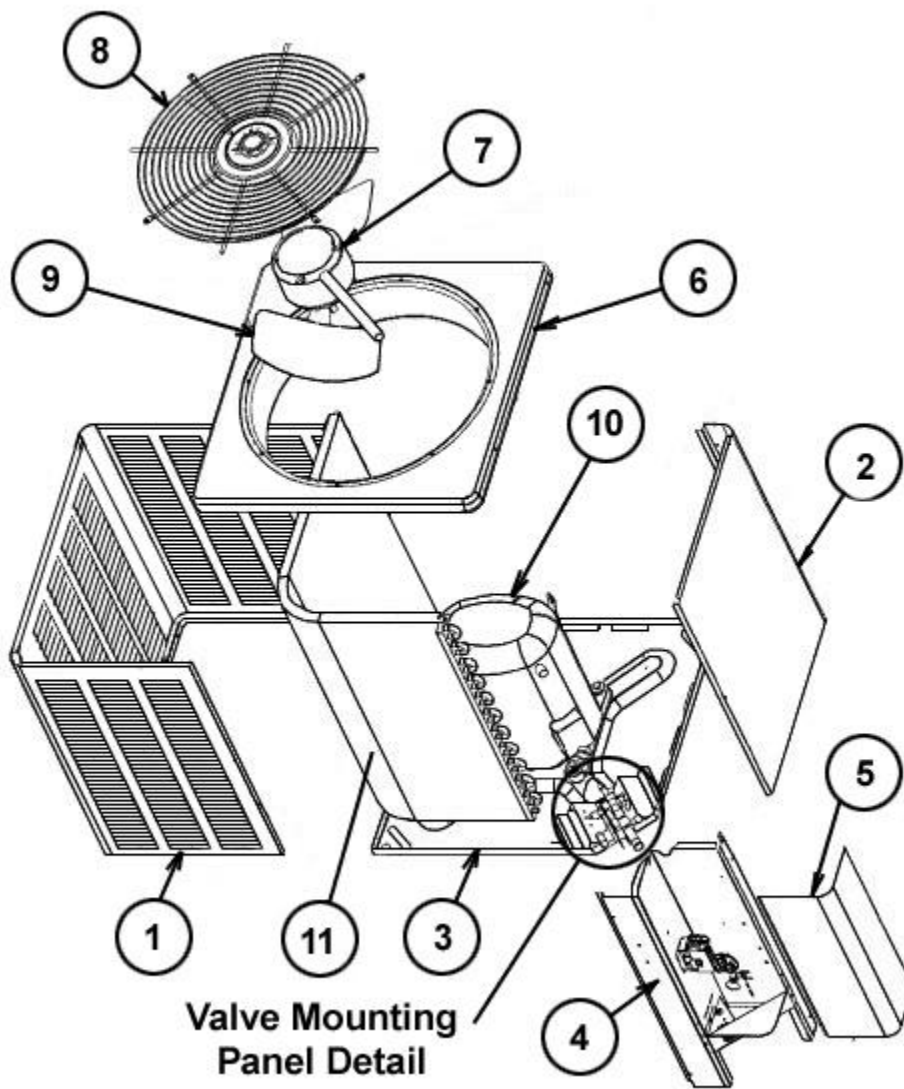
| No. | Notes | MODEL COOLING CAPACITY VARIATION | 13PJP 18 A01 | 13PJP 24 A01 | 13PJP 30 A01 | 13PJP 36 A01 |
|-------------------|-------|---|----------------------|--------------------|--------------------|--------------------|
| COIL GROUP | | | | | | |
| 11 | Stk | Condenser Coil | AS-101766-03 | AS-101766-03 | AS-102391-03 | AS-101768-03 |
| | | Accumulator | See Compressor Group | | | |
| 13 | | Valve Mounting Bracket | AE-57781-01 | AE-57781-01 | AE-57781-01 | AE-57781-01 |
| 14 | | Service Valve - Suction | 61-21368-23 | 61-21368-23 | 61-21368-07 | 61-21368-07 |
| 15 | | Service Valve - Liquid | 61-21368-25 | 61-21368-25 | 61-21368-25 | 61-21368-25 |
| 22 | | Bulkhead Valve | 61-22369-04 | 61-22369-04 | 61-22369-04 | 61-22369-04 |
| | | Locknut - Bulkhead Valve | 63-22368-01 | 63-22368-01 | 63-22368-01 | 63-22368-01 |
| | Stk | Low Pressure Control | 47-103670-05 | 47-103670-05 | 47-103670-05 | 47-103670-05 |
| | Stk | Filter Drier | 83-41719-04 | 83-41719-04 | 83-41719-04 | 83-41719-04 |
| | Stk | Flow Check/Distributor Assembly (includes piston) | 61-104502-42 | 61-104502-45 | 61-104503-49 | 61-104503-51 |
| | | Piston - Outdoor Coil | 61-104468-42 | 61-104468-45 | 61-104468-49 | 61-104468-51 |
| | | Piston - Indoor Coil (included in Parts Bag) | 61-104468-49 | N/A | 61-104468-62 | N/A |
| | Stk,1 | Reversing Valve - See Note 1 | 61-102498-04 | 61-102498-04 | 61-102498-09 | 61-102498-09 |
| | Stk | Solenoid Coil - Reversing Valve | 61-101713-92 | 61-101713-92 | 61-101713-92 | 61-101713-92 |
| | | Wiring Harness - Reversing Valve | 61-26149-03 | 61-26149-03 | 61-26149-03 | 61-26149-03 |

| No. | Notes | MODEL COOLING CAPACITY VARIATION | 13PJP 42 A01 | 13PJP 48 A01 | | |
|-------------------|-------|---|----------------------|--------------------|--|--|
| COIL GROUP | | | | | | |
| 11 | Stk | Condenser Coil | AS-101760-03 | AS-102099-03 | | |
| | | Accumulator | See Compressor Group | | | |
| 13 | | Valve Mounting Bracket | AE-57781-02 | AE-57781-02 | | |
| 14 | | Service Valve - Suction | 61-21368-22 | 61-21368-08 | | |
| 15 | | Service Valve - Liquid | 61-21368-25 | 61-21368-25 | | |
| 22 | | Bulkhead Valve | 61-22369-04 | 61-22369-04 | | |
| | | Locknut - Bulkhead Valve | 63-22368-01 | 63-22368-01 | | |
| | Stk | Low Pressure Control | 47-103670-05 | 47-103670-05 | | |
| | Stk | Filter Drier | 83-41719-04 | 83-41719-04 | | |
| | Stk | Flow Check/Distributor Assembly (includes piston) | 61-104504-59 | 61-104504-65 | | |
| | | Piston - Outdoor Coil | 61-104468-59 | 61-104468-65 | | |
| | | Piston - Indoor Coil (included in Parts Bag) | 61-104468-74 | N/A | | |
| | Stk,1 | Reversing Valve - See Note 1 | 61-102498-09 | 61-101684-06 | | |
| | Stk | Solenoid Coil - Reversing Valve | 61-101713-92 | 61-101713-92 | | |
| | | Wiring Harness - Reversing Valve | 61-26149-03 | 61-26149-03 | | |

| | | | | | | |
|---|-------|--|--------------------|--------------------|--------------------|--------------------|
| No. | Notes | MODEL COOLING CAPACITY VARIATION | 13PJP 18 A01 | 13PJP 24 A01 | 13PJP 30 A01 | 13PJP 36 A01 |
| COMPRESSOR GROUP | | | | | | |
| IMPORTANT NOTE: Replacement Compressors MUST be selected using the Compressor ID from the unit's Serial Number. Do not interchange compressors from other Compressor ID's used on the model. | | | | | | |
| | | Compressor ID: | 8673 | 8674 | 8675 | 8676 |
| 10 | Stk | Compressor | 55-102045-14S | 55-102045-01S | 55-102045-02S | 55-102045-03S |
| 19 | Stk | Capacitor - Compressor/Fan (2 inch diameter) | 43-26261-40 | 43-101665-09 | 43-101665-09 | N/A |
| 19 | Stk | Capacitor - Compressor/Fan (2-1/2 inch diameter) | N/A | N/A | N/A | 43-101665-48 |
| | | Muffler | 83-26251-01 | 83-26251-01 | 83-26251-01 | 83-26251-01 |
| | Stk | Compressor Wiring Harness (Molded Plug) | 45-100834-80 | 45-100834-80 | 45-100834-80 | 45-100834-80 |
| | | Accumulator | 83-22459-05 | 83-22459-05 | 83-22459-05 | 83-22459-05 |

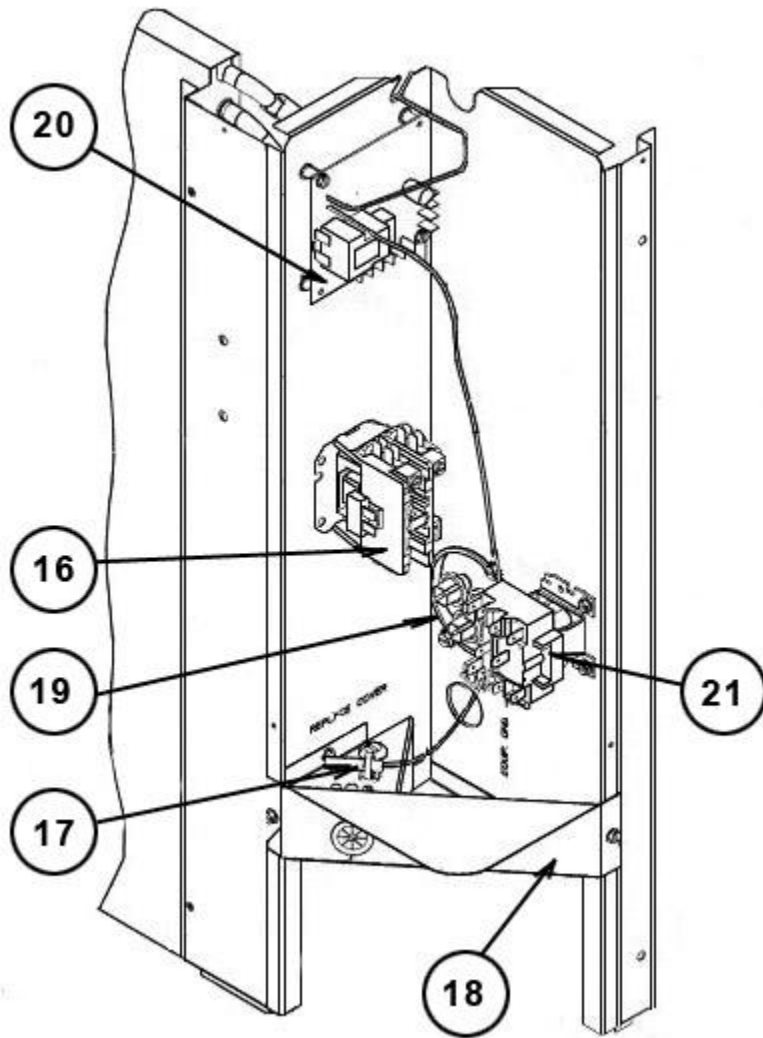
| | | | | | | |
|---|-------|--|--------------------|--------------------|--|--|
| No. | Notes | MODEL COOLING CAPACITY VARIATION | 13PJP 42 A01 | 13PJP 48 A01 | | |
| COMPRESSOR GROUP | | | | | | |
| IMPORTANT NOTE: Replacement Compressors MUST be selected using the Compressor ID from the unit's Serial Number. Do not interchange compressors from other Compressor ID's used on the model. | | | | | | |
| | | Compressor ID: | 8677 | 8678 | | |
| 10 | Stk | Compressor | 55-102045-12S | 55-102045-09S | | |
| 19 | Stk | Capacitor - Compressor/Fan (2-1/2 inch diameter) | 43-101665-42 | 43-26271-47 | | |
| | | Muffler | 83-26251-01 | 83-26251-01 | | |
| | Stk | Compressor Wiring Harness (Molded Plug) | 45-100834-80 | 45-100834-80 | | |
| | | Accumulator | 83-22459-05 | 83-26251-01 | | |

| No. | Notes | MODEL COOLING CAPACITY VARIATION | 13PJP ALL ALL |
|--------------------|-------|---|---------------------|
| ACCESSORIES | | | |
| | | Low Ambient Control | RXAD-A08 |
| | | Outdoor Thermostat (One Thermostat w/box) | RXPT-A01 |
| | | Outdoor Thermostat (One Thermostat w/o box) | RXPT-A02 |
| | | Outdoor Thermostat (One w/Heat Relay and box) | RXPT-A03 |
| | | Outdoor Thermostat (Two Thermostats w/Heat and box) | RXPT-A04 |
| | | Heat Pump Monitor | RXPM-B01 |
| | | Compressor Time Delay Control | RXMD-B01 |
| | | Blower Time Delay Control | RXMD-C04 |
| | | High Pressure Control | RXAB-A07 |

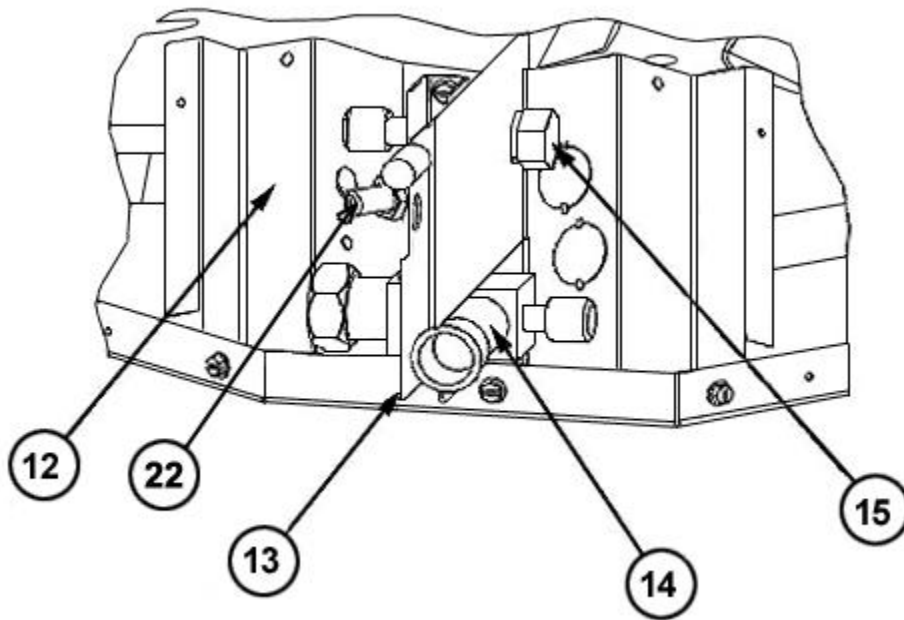


**Valve Mounting
Panel Detail**

Exploded View



Control Box Assembly



Valve Mounting Detail

NOTES

Stk It is recommended that stock be maintained for this part.

N/A Not Applicable

- 1 The reversing valve specified for 030, 036, 042 models may be different than the one originally supplied with the equipment. The use of the specified valve is recommended for improved shifting performance.

DISCLAIMER: This document is intended to provide general replacement parts information to aid qualified service personnel in the repair of these models. The complete Model and Serial Number of the unit under repair should be specified when selecting and ordering replacement parts. Specifications and illustrations are subject to change without notice. Document 92-42805-13PJP supersedes all previous parts lists for these models. See <http://www.rheempartslists.net/92-42805-13PJP> for the latest revision of this document. The manufacturer assumes no obligation for errors or omissions. Service personnel must verify the proper and safe operation of equipment after the replacement of any original components.