



13PJL

Parts List
05-May-2014



*This parts list is current as of the above revision date.
See <http://www.rheempartslists.net/92-42805-13PJL.pdf> for the current revision.*

Heat Pumps

Table of Contents

Model Explanation	Page 3
Parts Numbers	
Panels - Miscellaneous (Granite-Steel Gray)	Page 4
Panels - Miscellaneous (Neutra Green)	Page 5
Panels - Miscellaneous (ICECO Gray).....	Page 6
Electrical-Fan Group.....	Page 7
Coil Parts	Page 8
Compressor Group	Page 9
Accessories	Page 10
Drawings/Photographs	
Exploded View	Page 11
Control Box Assembly	Page 12
Valve Mounting Detail.....	Page 13
Notes/Disclaimer	Page 14

MODEL NUMBER EXPLANATION

1	3	P	J	L	1	8	A	0	1
1		2	3	4	5		6	7	

- | | |
|--|---|
| <p>(1) SEER
13 = SEER Rating</p> <p>(2) MODEL
P = Heat Pump</p> <p>(3) VOLTAGE
J = 208-230/1/60</p> <p>(4) DESIGN SERIES</p> | <p>(5) COOLING CAPACITY (BTU/HR)
18 = 18,000
24 = 24,000
30 = 30,000
36 = 36,000
42 = 42,000
48 = 48,000
60 = 60,000</p> <p>(6) CABINET</p> <p>(7) NAMEPLATE</p> |
|--|---|

SERIAL NUMBER EXPLANATION

7	0	9	2	N	0	7	0	1	9	9	9	9	9
1				2		3		4				5	

- (1) **COMPRESSOR IDENTIFICATION NUMBER**
- (2) **PRODUCTION LOCATION**
- (3) **WEEK OF PRODUCTION**
- (4) **YEAR OF PRODUCTION**
- (5) **PRODUCTION NUMBER**

No.	Notes	MODEL COOLING CAPACITY VARIATION	13PJL 18 A01	13PJL 24 A01	13PJL 30 A01	13PJL 36 A01
SHEET METAL PARTS, MISCELLANEOUS (Granite/Steel Gray, After Date Code 4811)						
1		Cabinet	AE-100726-81	AE-100726-81	AE-100726-82	AE-100726-83
2		Cabinet Panel	AE-100727-81	AE-100727-81	AE-100727-82	AE-100727-83
3		Base Pan	AS-100058-01	AS-100058-01	AS-100058-02	AE-101588-03
4		Control Box - 2 inch diameter capacitor	AE-100654-81	AE-100654-81	AE-100654-81	N/A
4		Control Box - 2-1/2 inch diameter capacitor	N/A	N/A	N/A	AE-100654-82
5		Control Box Cover	AE-100657-81	AE-100657-81	AE-100657-81	AE-100657-81
6		Top Panel	AE-100652-81	AE-100652-81	AE-100652-82	AE-100652-83
8		Grille	95-100906-01	95-100906-01	95-100906-03	95-100906-04
		Center Cap - Blank (for Grille)	91-101123-09	91-101123-09	91-101123-09	91-101123-09
12		Valve Mounting Panel	AE-57780-01	AE-57780-01	AE-57780-01	AE-57780-01
14		Service Valve - Suction	See Coil Group			
15		Service Valve - Liquid	See Coil Group			
17		Low Voltage Cover	AE-57756-01	AE-57756-01	AE-57756-01	AE-57756-01
		Touch-up Paint - Granite/Steel Gray (Aerosol)	PD523018	PD523018	PD523018	PD523018
		Touch-up Paint - Granite/Steel Gray (Paint Pens)	PD523019	PD523019	PD523019	PD523019

No.	Notes	MODEL COOLING CAPACITY VARIATION	13PJL 42 A01	13PJL 48 A01	13PJL 60 A01	
SHEET METAL PARTS, MISCELLANEOUS (Granite/Steel Gray, After Date Code 4811)						
1		Cabinet	AE-100726-84	AE-100726-84	AE-100726-84	
2		Cabinet Panel	AE-100727-84	AE-100727-84	AE-100727-84	
3		Base Pan	AE-101588-03	AE-101588-03	AE-101588-03	
4		Control Box - 2-1/2 inch diameter capacitor	AE-100654-84	AE-100654-84	AE-100654-84	
5		Control Box Cover	AE-100657-81	AE-100657-81	AE-100657-81	
6		Top Panel	AE-100652-83	AE-100652-83	AE-100652-83	
8		Grille	95-100906-04	95-100906-04	95-100906-04	
		Center Cap - Blank (for Grille)	91-101123-09	91-101123-09	91-101123-09	
12		Valve Mounting Panel	AE-100185-81	AE-100185-81	AE-100185-81	
14		Service Valve - Suction	See Coil Group			
15		Service Valve - Liquid	See Coil Group			
17		Low Voltage Cover	AE-57756-01	AE-57756-01	AE-57756-01	
		Touch-up Paint - Granite/Steel Gray (Aerosol)	PD523018	PD523018	PD523018	
		Touch-up Paint - Granite/Steel Gray (Paint Pens)	PD523019	PD523019	PD523019	

No.	Notes	MODEL COOLING CAPACITY VARIATION	13PJL 18 A01	13PJL 24 A01	13PJL 30 A01	13PJL 36 A01
SHEET METAL PARTS, MISCELLANEOUS (Neutra Green, Date Code 1208 - 4811)						
1		Cabinet	AE-100726-51	AE-100726-51	AE-100726-52	AE-100726-53
2		Cabinet Panel	AE-100727-51	AE-100727-51	AE-100727-52	AE-100727-53
3		Base Pan	AS-100058-01	AS-100058-01	AS-100058-02	AE-101588-03
4		Control Box - 2 inch diameter capacitor	AE-100654-51	AE-100654-51	AE-100654-51	AE-100654-51
4		Control Box - 2-1/2 inch diameter capacitor	N/A	N/A	N/A	AE-100654-52
5		Control Box Cover	AE-100657-51	AE-100657-51	AE-100657-51	AE-100657-51
6		Top Panel	AE-100652-51	AE-100652-51	AE-100652-52	AE-100652-53
8		Grille	95-100906-01	95-100906-01	95-100906-03	95-100906-04
		Center Cap - Blank (for Grille)	91-101123-09	91-101123-09	91-101123-09	91-101123-09
12		Valve Mounting Panel	AE-57780-01	AE-57780-01	AE-57780-01	AE-57780-01
14		Service Valve - Suction	See Coil Group			
15		Service Valve - Liquid	See Coil Group			
17		Low Voltage Cover	AE-57756-01	AE-57756-01	AE-57756-01	AE-57756-01
		Touch-up Paint - Green (Aerosol)	52-18662-48	52-18662-48	52-18662-48	52-18662-48
		Touch-up Paint - Green (Paint Pens)	523010	523010	523010	523010

No.	Notes	MODEL COOLING CAPACITY VARIATION	13PJL 42 A01	13PJL 48 A01	13PJL 60 A01	
SHEET METAL PARTS, MISCELLANEOUS (Neutra Green, Date Code 1208 - 4811)						
1		Cabinet	AE-100726-54	AE-100726-54	AE-100726-54	
2		Cabinet Panel	AE-100727-54	AE-100727-54	AE-100727-54	
3		Base Pan	AE-101588-03	AE-101588-03	AE-101588-03	
4		Control Box - 2-1/2 inch diameter capacitor	AE-100654-54	AE-100654-54	AE-100654-54	
5		Control Box Cover	AE-100657-51	AE-100657-51	AE-100657-51	
6		Top Panel	AE-100652-53	AE-100652-53	AE-100652-53	
8		Grille	95-100906-04	95-100906-04	95-100906-04	
		Center Cap - Blank (for Grille)	91-101123-09	91-101123-09	91-101123-09	
12		Valve Mounting Panel	AE-100185-51	AE-100185-51	AE-100185-51	
14		Service Valve - Suction	See Coil Group			
15		Service Valve - Liquid	See Coil Group			
17		Low Voltage Cover	AE-57756-01	AE-57756-01	AE-57756-01	
		Touch-up Paint - Green (Aerosol)	52-18662-48	52-18662-48	52-18662-48	
		Touch-up Paint - Green (Paint Pens)	523010	523010	523010	

No.	Notes	MODEL COOLING CAPACITY VARIATION	13PJL 18 A01	13PJL 24 A01	13PJL 30 A01	13PJL 36 A01
SHEET METAL PARTS, MISCELLANEOUS (ICECO Gray, Before Date Code 1208)						
1		Cabinet	AE-100726-01	AE-100726-01	AE-100726-02	AE-100726-03
2		Cabinet Panel	AE-100727-01	AE-100727-01	AE-100727-02	AE-100727-03
3		Base Pan	AS-100058-01	AS-100058-01	AS-100058-02	AE-101588-03
4		Control Box - 2 inch diameter capacitor	AE-100654-01	AE-100654-01	AE-100654-01	AE-100654-01
5		Control Box Cover	AE-100657-01	AE-100657-01	AE-100657-01	AE-100657-01
6		Top Panel	AE-100652-01	AE-100652-01	AE-100652-02	AE-100652-03
8		Grille	95-100906-01	95-100906-01	95-100906-03	95-100906-04
		Center Cap - Blank (for Grille)	91-101123-09	91-101123-09	91-101123-09	91-101123-09
12		Valve Mounting Panel	AE-57780-01	AE-57780-01	AE-57780-01	AE-57780-01
14		Service Valve - Suction	See Coil Group			
15		Service Valve - Liquid	See Coil Group			
17		Low Voltage Cover	AE-57756-01	AE-57756-01	AE-57756-01	AE-57756-01
		Touch-up Paint - Gray (Aerosol)	523009	523009	523009	523009
		Touch-up Paint - Gray (Paint Pens)	523011	523011	523011	523011

No.	Notes	MODEL COOLING CAPACITY VARIATION	13PJL 42 A01	13PJL 48 A01	13PJL 60 A01	
SHEET METAL PARTS, MISCELLANEOUS (ICECO Gray, Before Date Code 1208)						
1		Cabinet	AE-100726-04	AE-100726-04	AE-100726-04	
2		Cabinet Panel	AE-100727-04	AE-100727-04	AE-100727-04	
3		Base Pan	AE-101588-03	AE-101588-03	AE-101588-03	
4		Control Box - 2-1/2 inch diameter capacitor	AE-100654-04	AE-100654-04	AE-100654-04	
5		Control Box Cover	AE-100657-01	AE-100657-01	AE-100657-01	
6		Top Panel	AE-100652-03	AE-100652-03	AE-100652-03	
8		Grille	95-100906-04	95-100906-04	95-100906-04	
		Center Cap - Blank (for Grille)	91-101123-09	91-101123-09	91-101123-09	
12		Valve Mounting Panel	AE-100185-01	AE-100185-01	AE-100185-01	
14		Service Valve - Suction	See Coil Group			
15		Service Valve - Liquid	See Coil Group			
17		Low Voltage Cover	AE-57756-01	AE-57756-01	AE-57756-01	
		Touch-up Paint - Gray (Aerosol)	523009	523009	523009	
		Touch-up Paint - Gray (Paint Pens)	523011	523011	523011	

No.	Notes	MODEL COOLING CAPACITY VARIATION	13PJL 18 A01	13PJL 24 A01	13PJL 30 A01	13PJL 36 A01
ELECTRICAL/FAN GROUP						
7	Stk	Fan Motor - Before Date Code 2112	51-101774-04	51-101774-04	51-101774-02	51-102008-07
7	Stk	Fan Motor - After Date Code 2112	51-101774-20	51-101774-20	51-101774-02	51-102008-07
9	Stk	Fan Blade - Before Date Code 2112	70-102033-05	70-102033-05	70-102033-02	70-102011-04
9	Stk	Fan Blade - After Date Code 2112	70-102011-21	70-102011-21	70-102033-02	70-102011-04
16	Stk	Contactora	42-42478-03	42-42478-03	42-42478-03	42-42478-03
17		Low Voltage Cover	See Panels - Miscellaneous			
18		Control Box Bottom	AE-100655-01	AE-100655-01	AE-100655-01	AE-100655-01
19		Capacitor - Compressor/Fan	See Compressor Group			
20	Stk	Defrost Control Board (Before Date Code1209)	47-21517-16	47-21517-16	47-21517-16	47-21517-16
20	Stk	Defrost Control Board (After Date Code1209)	47-102684-02	47-102684-02	47-102684-02	47-102684-02
21		Low Ambient Control	See Accessories Group			

No.	Notes	MODEL COOLING CAPACITY VARIATION	13PJL 42 A01	13PJL 48 A01	13PJL 60 A01	
ELECTRICAL/FAN GROUP						
7	Stk	Fan Motor	51-102008-07	51-102008-07	51-102008-07	
9	Stk	Fan Blade	70-102011-04	70-102011-04	70-102011-04	
16	Stk	Contactora	42-42478-03	42-42478-03	42-42478-02	
17		Low Voltage Cover	See Panels - Miscellaneous			
18		Control Box Bottom	AE-100655-01	AE-100655-01	AE-100655-01	
19		Capacitor - Compressor/Fan	See Compressor Group			
20	Stk	Defrost Control Board (Before Date Code1209)	47-21517-16	47-21517-16	47-21517-16	
20	Stk	Defrost Control Board (After Date Code1209)	47-102684-02	47-102684-02	47-102684-02	
21		Low Ambient Control	See Accessories Group			

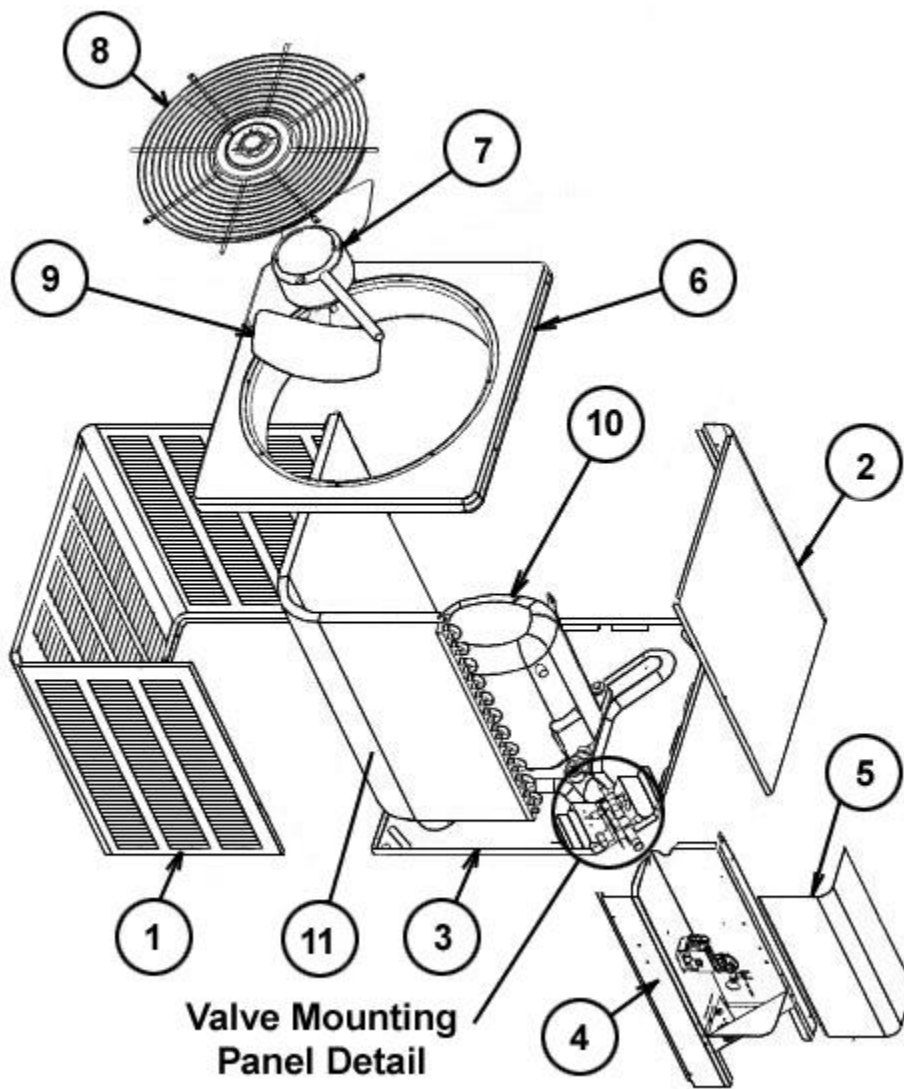
No.	Notes	MODEL COOLING CAPACITY VARIATION	13PJL 18 A01	13PJL 24 A01	13PJL 30 A01	13PJL 36 A01
COIL GROUP						
11	Stk	Condenser Coil	AS-101766-03	AS-101766-03	AS-102391-03	AS-101768-03
13		Valve Mounting Bracket	AE-57781-01	AE-57781-01	AE-57781-01	AE-57781-02
14		Service Valve - Suction	61-21368-23	61-21368-23	61-21368-07	61-21368-22
15		Service Valve - Liquid	61-21368-05	61-21368-05	61-21368-05	61-21368-05
22		Bulkhead Valve	61-22369-04	61-22369-04	61-22369-04	61-22369-04
		Locknut - Bulkhead Valve	63-22368-01	63-22368-01	63-22368-01	63-22368-01
	Stk,3	Low Pressure Control (After Date Code1209) - See Note 3	47-102240-04	47-102240-04	47-102240-04	47-102240-04
	Stk	Filter Drier	83-41719-04	83-41719-04	83-41719-04	83-41719-04
	Stk	TXV/Distributor Assembly	61-102437-01	61-102437-02	61-102437-03	61-102437-03
	Stk,2	Reversing Valve - See Note 2	61-102498-04	61-102498-04	61-102498-09	61-102498-09
		Solenoid Coil - Reversing Valve (Before Date Code 2808)	61-101713-92	61-101713-01	61-101713-01	61-101713-01
	Stk	Solenoid Coil - Reversing Valve (After Date Code 2808)	61-101713-92	61-101713-92	61-101713-92	61-101713-92
		Wiring Harness - Reversing Valve	61-26149-03	61-26149-03	61-26149-03	61-26149-03

No.	Notes	MODEL COOLING CAPACITY VARIATION	13PJL 42 A01	13PJL 48 A01	13PJL 60 A01	
COIL GROUP						
11	Stk	Condenser Coil	AS-101760-03	AS-102099-03	AS-102099-03	
13		Valve Mounting Bracket	AE-57781-02	AE-57781-02	AE-57781-02	
14		Service Valve - Suction	61-21368-22	61-21368-08	61-21368-08	
15		Service Valve - Liquid	61-21368-05	61-21368-05	61-21368-05	
22		Bulkhead Valve	61-22369-04	61-22369-04	61-22369-04	
		Locknut - Bulkhead Valve	63-22368-01	63-22368-01	63-22368-01	
		Charge Compensator	N/A	N/A	83-25361-09	
	Stk,3	Low Pressure Control (After Date Code1209) - See Note 3	47-102240-04	47-102240-04	47-102240-04	
	Stk	Filter Drier	83-41719-04	83-41719-04	83-41719-04	
	Stk	TXV/Distributor Assembly	61-102437-05	61-102437-06	61-102437-07	
	Stk,2	Reversing Valve - See Note 2	61-102498-09	61-101684-06	61-102498-06	
		Solenoid Coil - Reversing Valve (Before Date Code 2808)	61-101713-01	61-101713-01	61-101713-01	
	Stk	Solenoid Coil - Reversing Valve (After Date Code 2808)	61-101713-92	61-101713-92	61-101713-92	
		Wiring Harness - Reversing Valve	61-26149-03	61-26149-03	61-26149-03	

No.	Notes	MODEL COOLING CAPACITY VARIATION	13PJL 18 A01	13PJL 24 A01	13PJL 30 A01	13PJL 36 A01
COMPRESSOR GROUP						
IMPORTANT NOTE: Replacement Compressors MUST be selected using the Compressor ID from the unit's Serial Number. Do not interchange compressors from other Compressor ID's used on the model.						
		Compressor ID:	7687	7688	7689	7690
10	Stk	Compressor	55-102045-14S	55-102045-01S	55-102045-02S	55-102045-03S
19	Stk	Capacitor - Compressor/Fan (2 inch diameter)	43-26261-40	43-26261-09	43-26261-09	43-26261-48
19	Stk	Capacitor - Compressor/Fan (2-1/2 inch diameter)	N/A	N/A	N/A	43-101665-48
		Muffler	83-26251-01	83-26251-01	83-26251-01	83-26251-01
	Stk	Compressor Wiring Harness (Molded Plug)	45-100834-80	45-100834-80	45-100834-80	45-100834-80
		Compressor ID:	7837		7714	7705
10	1	Original Compressor - See Note 1	55-101545-43S		55-101545-30S	55-102282-07S
10	Stk,1	Replacement Compressor (Retrofit Kit Required) - See Note 1	55-102045-14S		55-102045-02S	55-102045-03S
	Stk,1	Retrofit Kit - See Note 1	831018		831019	831020
19	Stk	Capacitor - Compressor/Fan (Original Compressor)	43-26261-40		43-26261-44	43-26261-48
		Muffler/Check Valve (Original Compressor)	83-101828-01		83-101828-01	N/A
		Muffler (Original Compressor)	N/A		N/A	83-26251-01
		Compressor ID:			7838	
10	1	Original Compressor - See Note 1			55-101545-44S	
	Stk,1	Replacement Compressor (Retrofit Kit Required) - See Note 1			55-102045-02S	
	Stk,1	Retrofit Kit - See Note 1			831019	
19	Stk	Capacitor - Compressor/Fan (Original Compressor)			43-26261-44	
		Muffler/Check Valve (Original Compressor)			83-101828-01	
		Muffler (Original Compressor)			N/A	

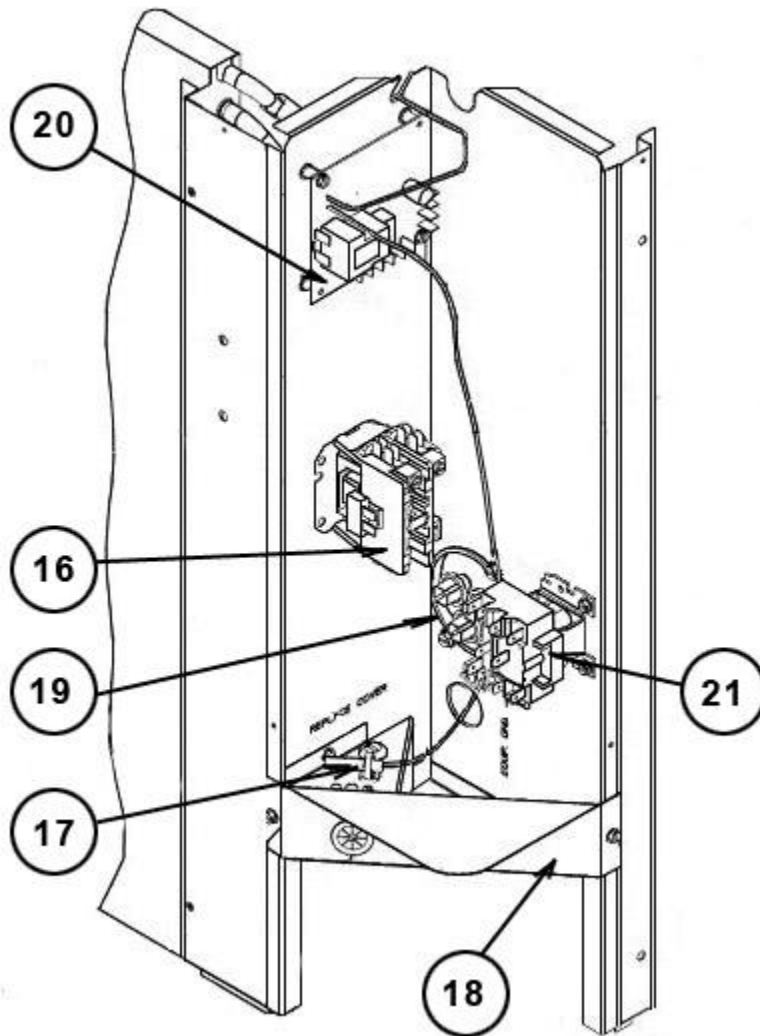
No.	Notes	MODEL COOLING CAPACITY VARIATION	13PJL 42 A01	13PJL 48 A01	13PJL 60 A01	
COMPRESSOR GROUP						
IMPORTANT NOTE: Replacement Compressors MUST be selected using the Compressor ID from the unit's Serial Number. Do not interchange compressors from other Compressor ID's used on the model.						
		Compressor ID:	7691	7692	7693	
10	Stk	Compressor	55-102045-12S	55-102045-09S	55-102045-13S	
19	Stk	Capacitor - Compressor/Fan	43-26261-42	43-26261-47	43-26261-30	
	Stk	Compressor Wiring Harness (Molded Plug)	45-100834-80	45-100834-80	45-100834-80	
		Crankcase Heater	N/A	N/A	44-101884-05	
		Muffler	83-26251-01	83-26251-01	83-26251-01	
		Compressor ID:	7706			
10	1	Original Compressor - See Note 1	55-102282-05S			
	Stk,1	Replacement Compressor (Retrofit Kit Required) - See Note 1	55-102045-12S			
	Stk,1	Retrofit Kit - See Note 1	831021			
19	Stk	Capacitor - Compressor/Fan (Original Compressor)	43-26261-38			
		Muffler (Original Compressor)	83-26251-01			

No.	Notes	MODEL COOLING CAPACITY VARIATION	13PJL ALL ALL
ACCESSORIES			
		Low Ambient Control	RXAD-A08
		Outdoor Thermostat (One Thermostat w/box)	RXPT-A01
		Outdoor Thermostat (One Thermostat w/o box)	RXPT-A02
		Outdoor Thermostat (One w/Heat Relay and box)	RXPT-A03
		Outdoor Thermostat (Two Thermostats w/Heat and box)	RXPT-A04
		Heat Pump Monitor	RXPM-B01
		Compressor Time Delay Control	RXMD-B01
		Blower Time Delay Control	RXMD-C04
		High Pressure Control	RXAB-A07

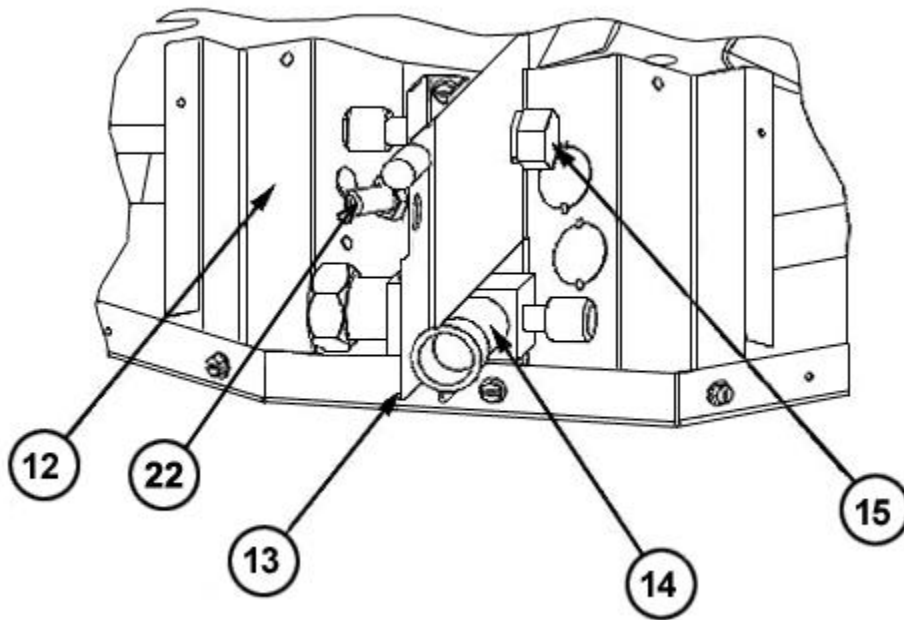


**Valve Mounting
Panel Detail**

Exploded View



Control Box Assembly



Valve Mounting Detail

NOTES

Stk It is recommended that stock be maintained for this part.

N/A Not Applicable

- 1 This compressor should be replaced with the designated Copleland scroll (55-102045 series) and the specified Retrofit Kit. USE OF THE RETROFIT KIT IS REQUIRED WHEN PERFORMING THIS REPLACEMENT. Failure to use the kit will greatly increase the likelihood of future compressor failure and will void the compressor warranty.
- 2 The reversing valve specified for 030, 036, 042, 048 and 060 models may be different than the one originally supplied with the equipment. The use of the specified valve is recommended for improved shifting performance.
- 3 This low pressure switch should only be used with units manufactured after the effective date shown. It is not compatible with the Defrost Control Board used on units manufactured before this date.

DISCLAIMER: This document is intended to provide general replacement parts information to aid qualified service personnel in the repair of these models. The complete Model and Serial Number of the unit under repair should be specified when selecting and ordering replacement parts. Specifications and illustrations are subject to change without notice. Document 92-42805-13PJL supersedes all previous parts lists for these models. See <http://www.rheempartslists.net/92-42805-13PJL> for the latest revision of this document. The manufacturer assumes no obligation for errors or omissions. Service personnel must verify the proper and safe operation of equipment after the replacement of any original components.