



13AJN

Parts List
17-September-2014



*This parts list is current as of the above revision date.
See <http://www.rheempartslists.net/92-42805-13AJN.pdf> for the current revision.*

Condensing Units

Table of Contents

Model Explanation	Page 3
Parts Numbers	
Panels - Miscellaneous (Granite-Steel Gray)	Page 4
Panels - Miscellaneous (Neutra Green)	Page 5
Electrical-Fan Group	Page 6
Coil Parts	Page 7
Compressor Group	Page 8
Accessories	Page 9
Drawings/Photographs	
Exploded View	Page 10
Control Box	Page 11
Valve Mounting Detail	Page 12
Notes/Disclaimer	Page 13

MODEL NUMBER EXPLANATION

1	3	A	J	N	1	8	A	0	1
1		2	3	4	5		6	7	

- | | |
|---|---|
| <p>(1) SEER
13 = SEER Rating</p> <p>(2) MODEL
A = Air Conditioner</p> <p>(3) VOLTAGE
J = 208-230/1/60
C = 208-230/3/60
D = 460/3/60
Y = 575/3/60</p> <p>(4) DESIGN SERIES</p> | <p>(5) COOLING CAPACITY (BTU/HR)
018= 18,000
024= 24,000
030= 30,000
036= 36,000
042= 42,000
048= 48,000
060= 60,000</p> <p>(6) CABINET
A = Full Metal Jacket</p> <p>(7) NAMEPLATE</p> |
|---|---|

SERIAL NUMBER EXPLANATION

8	0	3	0	W	0	7	0	9	9	9	9	9
1				2		3	4			5		

- (1) **COMPRESSOR IDENTIFICATION NUMBER**
- (2) **PRODUCTION LOCATION**
- (3) **WEEK OF PRODUCTION**
- (4) **YEAR OF PRODUCTION**
- (5) **PRODUCTION NUMBER**

No.	Notes	MODEL COOLING CAPACITY VARIATION	13AJN 18 A01	13AJN 24 A01	13AJN 30 A01	13AJN 36 A01
SHEET METAL PARTS, MISCELLANEOUS (Granite/Steel Gray, After Date Code 4811)						
1		Cabinet	AE-100726-86	AE-100726-81	AE-100726-87	AE-100726-82
2		Cabinet Panel	AE-100727-85	AE-100727-85	AE-100727-88	AE-100727-82
3		Base Pan	AE-100069-01	AE-100069-01	AE-100069-02	AE-100069-02
4		Control Box	AE-100654-81	AE-100654-81	AE-100654-81	AE-100654-81
5		Control Box Cover	AE-100657-81	AE-100657-81	AE-100657-81	AE-100657-81
6		Top Panel	AE-100652-81	AE-100652-81	AE-100652-82	AE-100652-82
8		Grille	95-100906-01	95-100906-01	95-100906-03	95-100906-03
		Center Cap - Blank (for Grille)	91-101123-09	91-101123-09	91-101123-09	91-101123-09
12		Valve Mounting Panel	AE-57780-01	AE-57780-01	AE-57780-01	AE-57780-01
14		Service Valve - Suction	See Coil Group			
15		Service Valve - Liquid	See Coil Group			
17		Low Voltage Cover	AE-57756-01	AE-57756-01	AE-57756-01	AE-57756-01
		Touch-up Paint - Granite/Steel Gray (Aerosol)	PD523018	PD523018	PD523018	PD523018
		Touch-up Paint - Granite/Steel Gray (Paint Pens)	PD523019	PD523019	PD523019	PD523019

No.	Notes	MODEL COOLING CAPACITY VARIATION	13AJN 42 A01	13AJN 48 A01	13AJN 60 A01	
SHEET METAL PARTS, MISCELLANEOUS (Granite/Steel Gray, After Date Code 4811)						
1		Cabinet	AE-100726-82	AE-100726-83	AE-100726-84	
2		Cabinet Panel	AE-100727-82	AE-100727-83	AE-100727-89	
3		Base Pan	AE-100069-02	AE-101588-03	AE-101588-03	
4		Control Box	AE-100654-82	AE-100654-82	AE-100654-84	
5		Control Box Cover	AE-100657-81	AE-100657-81	AE-100657-81	
6		Top Panel	AE-100652-82	AE-100652-83	AE-100652-83	
8		Grille	95-103944-01	95-100906-04	95-100906-04	
		Center Cap - Blank (for Grille)	91-101123-09	91-101123-09	91-101123-09	
12		Valve Mounting Panel	AE-57780-01	AE-57780-01	AE-100185-81	
14		Service Valve - Suction	See Coil Group			
15		Service Valve - Liquid	See Coil Group			
17		Low Voltage Cover	AE-57756-01	AE-57756-01	AE-57756-01	
		Touch-up Paint - Granite/Steel Gray (Aerosol)	PD523018	PD523018	PD523018	
		Touch-up Paint - Granite/Steel Gray (Paint Pens)	PD523019	PD523019	PD523019	

No.	Notes	MODEL COOLING CAPACITY VARIATION	13AJN 18 A01	13AJN 24 A01	13AJN 30 A01	13AJN 36 A01
SHEET METAL PARTS, MISCELLANEOUS (Neutra Green, Before Date Code 4811)						
1		Cabinet	AE-100726-56	AE-100726-51	AE-100726-57	AE-100726-52
2		Cabinet Panel	AE-100727-55	AE-100727-55	AE-100727-58	AE-100727-52
3		Base Pan	AE-100069-01	AE-100069-01	AE-100069-02	AE-100069-02
4		Control Box	AE-100654-51	AE-100654-51	AE-100654-51	AE-100654-51
5		Control Box Cover	AE-100657-51	AE-100657-51	AE-100657-51	AE-100657-51
6		Top Panel	AE-100652-51	AE-100652-51	AE-100652-52	AE-100652-52
8		Grille	95-100906-01	95-100906-01	95-100906-03	95-100906-03
		Center Cap - Blank (for Grille)	91-101123-09	91-101123-09	91-101123-09	91-101123-09
12		Valve Mounting Panel	AE-57780-01	AE-57780-01	AE-57780-01	AE-57780-01
14		Service Valve - Suction	See Coil Group			
15		Service Valve - Liquid	See Coil Group			
17		Low Voltage Cover	AE-57756-01	AE-57756-01	AE-57756-01	AE-57756-01
		Touch-up Paint - Neutra Green (Aerosol)	52-18662-48	52-18662-48	52-18662-48	52-18662-48
		Touch-up Paint - Neutra Green (Paint Pens)	523010	523010	523010	523010

No.	Notes	MODEL COOLING CAPACITY VARIATION	13AJN 42 A01	13AJN 48 A01	13AJN 60 A01	
SHEET METAL PARTS, MISCELLANEOUS (Neutra Green, Before Date Code 4811)						
1		Cabinet	AE-100726-52	AE-100726-53	AE-100726-54	
2		Cabinet Panel	AE-100727-52	AE-100727-53	AE-100727-59	
3		Base Pan	AE-100069-02	AE-101588-03	AE-101588-03	
4		Control Box	AE-100654-52	AE-100654-52	AE-100654-54	
5		Control Box Cover	AE-100657-51	AE-100657-51	AE-100657-51	
6		Top Panel	AE-100652-52	AE-100652-53	AE-100652-53	
8		Grille	95-103944-01	95-100906-04	95-100906-04	
		Center Cap - Blank (for Grille)	91-101123-09	91-101123-09	91-101123-09	
12		Valve Mounting Panel	AE-57780-01	AE-57780-01	AE-100185-51	
14		Service Valve - Suction	See Coil Group			
15		Service Valve - Liquid	See Coil Group			
17		Low Voltage Cover	AE-57756-01	AE-57756-01	AE-57756-01	
		Touch-up Paint - Neutra Green (Aerosol)	52-18662-48	52-18662-48	52-18662-48	
		Touch-up Paint - Neutra Green (Paint Pens)	523010	523010	523010	

No.	Notes	MODEL COOLING CAPACITY VARIATION	13AJN 18 A01	13AJN 24 A01	13AJN 30 A01	13AJN 36 A01
ELECTRICAL/FAN GROUP						
7	Stk	Fan Motor - Before Date Code 2112	51-101774-04	51-101774-04	51-101774-02	51-101774-02
7	Stk	Fan Motor - On or After Date Code 2112	See Below		51-101774-02	51-101774-02
9	Stk	Fan Blade - Before Date Code 2112	70-102033-05	70-102033-05	70-102011-16	70-102011-16
9	Stk	Fan Blade - On or After Date Code 2112	See Below		70-102011-16	70-102011-16
16	Stk	Contactactor	42-102851-01	42-102851-01	42-102851-01	42-102851-01
17		Low Voltage Cover	See Panels - Miscellaneous			
18		Control Box Bottom	AE-100655-01	AE-100655-01	AE-100655-01	AE-100655-01
19		Capacitor - Compressor/Fan	See Compressor Group			

No.	Notes	MODEL COOLING CAPACITY VARIATION	13AJN 18 A01	13AJN 24 A01		
ELECTRICAL/FAN GROUP (Date Code 2112 - 1413)						
7	Stk	Fan Motor - Date Code 2112 - 1413	51-101774-20	51-101774-20		
9	Stk	Fan Blade - Date Code 2112 - 1413	70-102011-21	70-102011-21		
16	Stk	Contactactor	42-102851-01	42-102851-01		
17		Low Voltage Cover	See Panels - Miscellaneous			
18		Control Box Bottom	AE-100655-01	AE-100655-01		
19		Capacitor - Compressor/Fan	See Compressor Group			
ELECTRICAL/FAN GROUP (On or After Date Code 1413)						
After this date, different fan, motor and capacitor combinations may have been used interchangeably in production. If replacement of any component is required, all three parts should be replaced. For further information - See Note 1						
7	Stk,1	Fan Motor	51-104691-01	51-104691-01		
19	1	Capacitor - Compressor/Fan (2 inch diameter, 30/3/370)	43-101665-03	N/A		
19	1	Capacitor - Compressor/Fan (2 inch diameter, 35/3/370)	N/A	43-101665-04		
9	Stk,1	Fan Blade (2 Blade)	70-102033-08	70-102033-08		

No.	Notes	MODEL COOLING CAPACITY VARIATION	13AJN 42 A01	13AJN 48 A01	13AJN 60 A01	
ELECTRICAL/FAN GROUP						
7	Stk	Fan Motor	51-102008-07	51-102008-07	51-102008-07	
9	Stk	Fan Blade	70-101323-19	70-102011-10	70-102011-10	
16	Stk	Contactactor	42-102851-01	42-102851-03	42-102851-03	
17		Low Voltage Cover	See Panels - Miscellaneous			
18		Control Box Bottom	AE-100655-01	AE-100655-01	AE-100655-01	
19		Capacitor - Compressor/Fan	See Compressor Group			

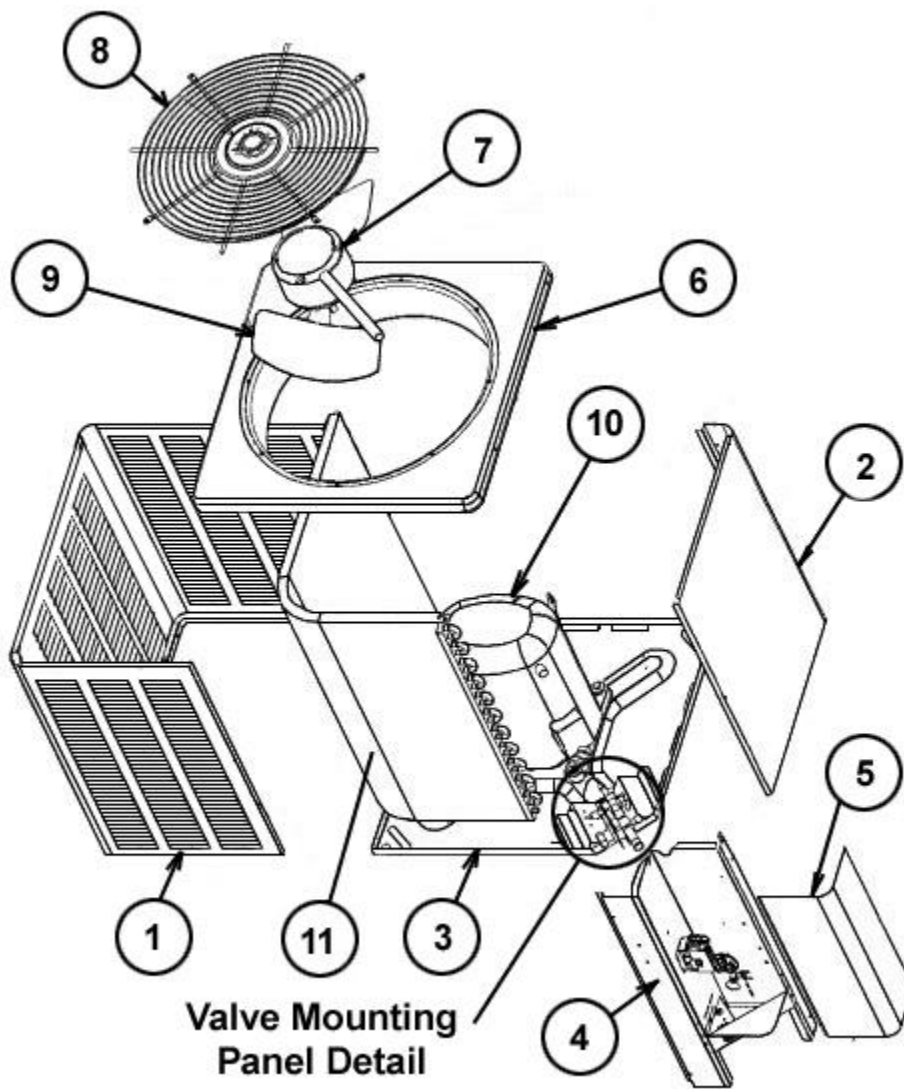
No.	Notes	MODEL COOLING CAPACITY VARIATION	13AJN 18 A01	13AJN 24 A01	13AJN 30 A01	13AJN 36 A01
COIL GROUP						
11	Stk	Condenser Coil	AS-103938-03	AS-103165-03	AS-103940-03	AS-103941-03
13		Valve Mounting Bracket	AE-57781-01	AE-57781-01	AE-57781-01	AE-57781-01
14		Service Valve - Suction	61-21368-07	61-21368-07	61-21368-07	61-21368-07
15		Service Valve - Liquid	61-21368-05	61-21368-05	61-21368-05	61-21368-05
		Filter Drier	83-22755-12	83-22755-12	83-22755-12	83-22755-12

No.	Notes	MODEL COOLING CAPACITY VARIATION	13AJN 42 A01	13AJN 48 A01	13AJN 60 A01	
COIL GROUP						
11	Stk	Condenser Coil - Before W1411	AS-101599-03	AS-103168-03	AS-103942-03	
11	Stk	Condenser Coil - After W1411	AS-101599-03	AS-104069-03	AS-103942-03	
13		Valve Mounting Bracket	AE-57781-02	AE-57781-02	AE-57781-02	
14		Service Valve - Suction	61-21368-08	61-21368-08	61-21368-08	
15		Service Valve - Liquid	61-21368-05	61-21368-05	61-21368-05	
		Filter Drier	83-22755-12	83-22755-12	83-22755-12	

No.	Notes	MODEL COOLING CAPACITY VARIATION	13AJN 18 A01	13AJN 24 A01	13AJN 30 A01	13AJN 36 A01
COMPRESSOR GROUP						
		Compressor ID:	8389	8390	8391	8392
10	Stk	Compressor	55-102045-82S	55-102045-24S	55-102045-31S	55-102045-03S
19	Stk,2	Capacitor - Compressor/Fan	See Note 2	See Note 2	43-101665-09	43-101665-41
		Compressor Wiring Harness (Molded Plug)	45-100834-80	45-100834-80	45-100834-80	45-100834-80
		Compressor ID:		9001		
10	Stk	Compressor		55-102045-97S		
19	Stk,2	Capacitor - Compressor/Fan		See Note 2		
		Compressor Wiring Harness (Molded Plug)		45-100834-80		

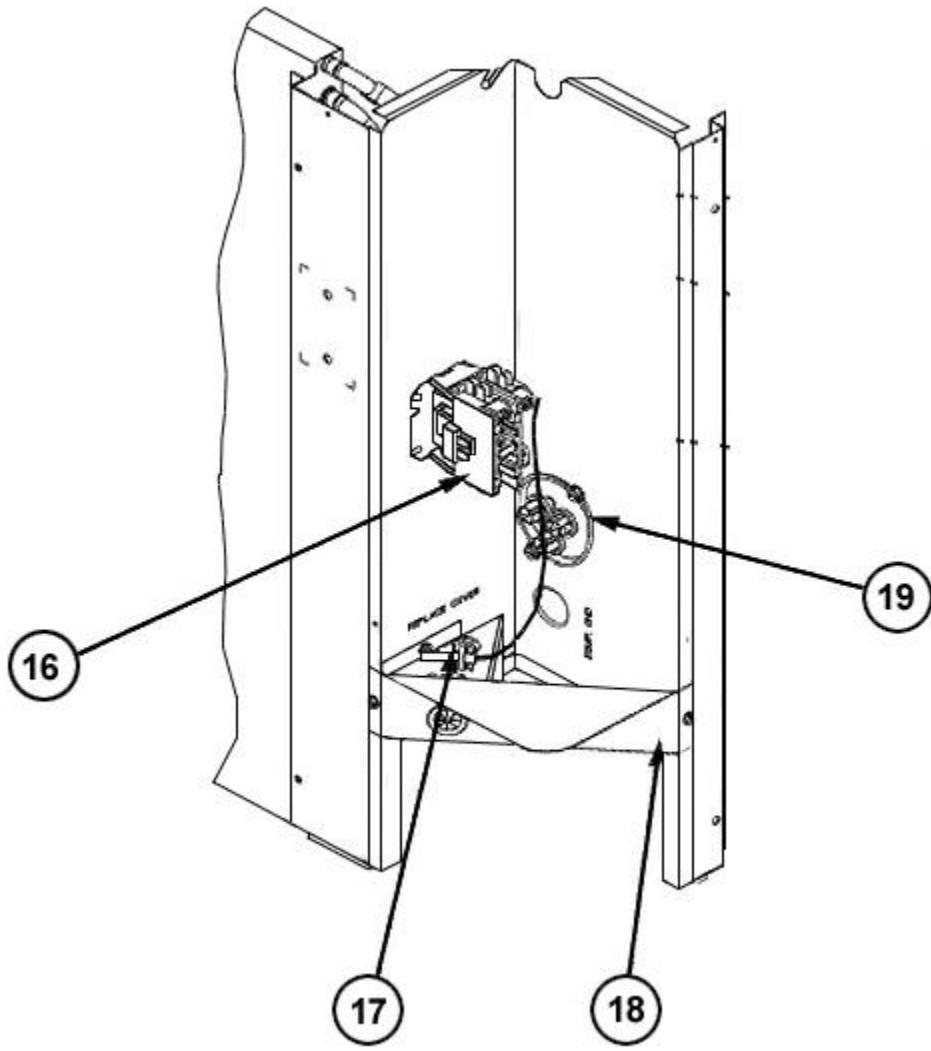
No.	Notes	MODEL COOLING CAPACITY VARIATION	13AJN 42 A01	13AJN 48 A01	13AJN 60 A01	
COMPRESSOR GROUP						
		Compressor ID:	8393	8394	8395	
10	Stk	Compressor	55-102045-15S	55-102045-09S	55-102045-26S	
19	Stk	Capacitor - Compressor/Fan (2 inch diameter)	43-26271-48	N/A	N/A	
19	Stk	Capacitor - Compressor/Fan (2-1/2 inch diameter)	43-101665-48	43-101665-47	43-101665-47	
		Compressor Wiring Harness (Molded Plug)	45-100834-80	45-100834-80	45-100834-80	

No.	Notes	MODEL COOLING CAPACITY VARIATION	13AJN ALL ALL
ACCESORIES			
		Low Ambient Control	RXAD-A08
		Compressor Time Delay Control	RXMD-B01
		High Pressure Control	RXAB-A07
		Low Pressure Control	RXAC-A07

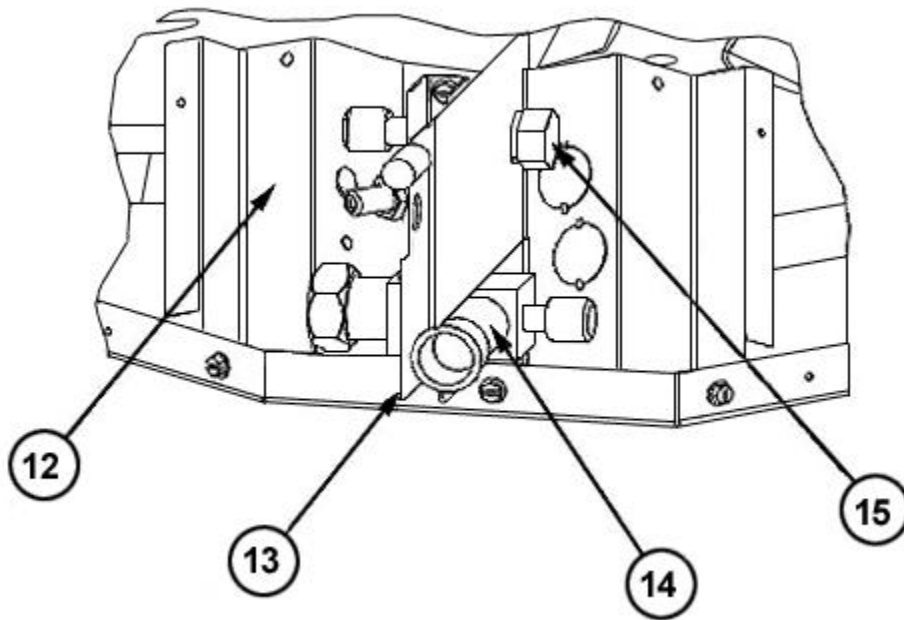


**Valve Mounting
Panel Detail**

Exploded View



Control Box



Valve Mounting Detail

NOTES

Stk It is recommended that stock be maintained for this part.

N/A Not Applicable

- 1 Only specific combination's of fan motor/fan blade/capacitor can be used. Interchanging component's can cause overheating, noise, or improper unit operation.
Other combinations used in production after 1413 are as follows:

Motor 51-101774-20

Fan Blade 70-102033-08 (2 blade)

Capacitor 43-101665-40 (30/5/370) for -018

Capacitor 43-101665-44 (35/5/370) for -024

Motor 51-104692-01

Fan Blade 70-102033-08 (2 blade)

Capacitor 43-101665-03 (30/3/370) for -018

Capacitor 43-101665-04 (35/3/370) for -024

-
- 2 To determine the compressor run capacitor, the required capacitance for the fan motor must be determined as follows:
For 3 uF fan motor, use 43-101665-03 (30/3/370) for -018
For 5 uF fan motor, use 43-101665-40 (30/5/370) for -018
For 5 uF fan motor, use 43-101665-44 (35/5/370) for -024
For 3 uF fan motor, use 43-101665-04 (35/3/370) for -024

DISCLAIMER: This document is intended to provide general replacement parts information to aid qualified service personnel in the repair of these models. The complete Model and Serial Number of the unit under repair should be specified when selecting and ordering replacement parts. Specifications and illustrations are subject to change without notice. Document 92-42805-13AJN supersedes all previous parts lists for these models. See <http://www.rheempartslists.net/92-42805-13AJN> for the latest revision of this document. The manufacturer assumes no obligation for errors or omissions. Service personnel must verify the proper and safe operation of equipment after the replacement of any original components.